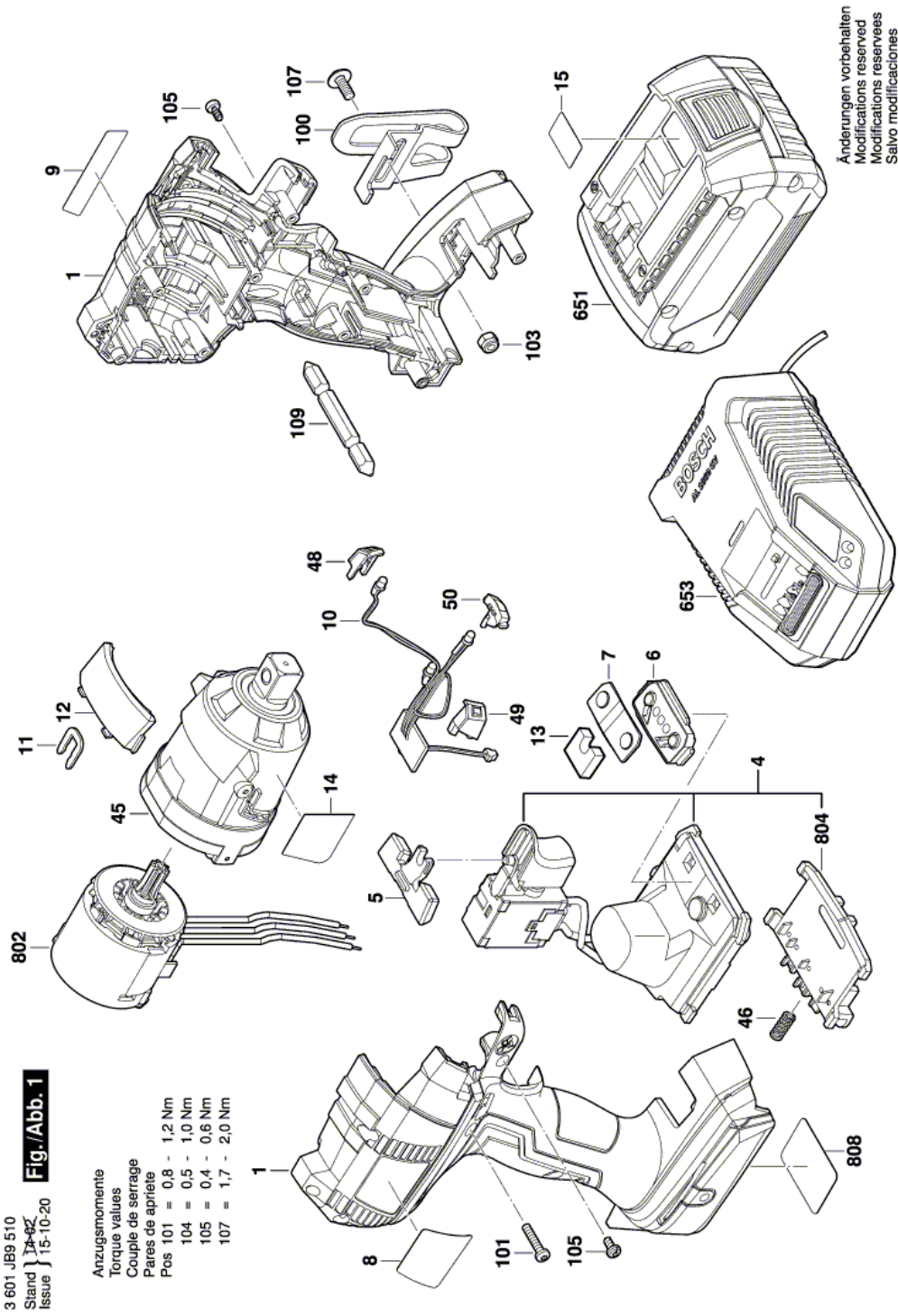


Illustration - Type E



Information subject to change without further notice.

Impact Wrench - 3 601 JB9 510 - IWBH182

www.powertools-aftersaleservice.com



BOSCH

Item	Part Number	Description	Illustration	Price	Quantity	Price Group
1	2 609 101 143	Housing	1	-,-	1	33
4	1 607 233 470	Electronics Module	1	-,-	1	45
5	2 609 101 067	Adjusting lever	1	-,-	1	12
6	2 609 101 068	Button	1	-,-	1	14
7	2 609 133 596	Label	1	-,-	1	13
8	2 609 134 292	Warning Label	1	-,-	1	13
9	2 609 134 291	Sticker Lithium-Ion 18V	1	-,-	1	13
10	2 609 199 465	Electronics Module	1	-,-	1	26
11	2 609 110 838	Clip	1	-,-	1	10
12	2 609 111 415	Cover	1	-,-	1	24
13	2 609 170 193	Protector	1	-,-	1	11
14	2 609 134 294	Warning Label	1	-,-	1	13
15	2 609 134 293	Warning Label	1	-,-	1	13
45	2 609 199 370	Gear Box	1	-,-	1	44
46	1 609 280 477	Compression Spring	1	-,-	1	11
48	2 609 101 069	Lens	1	-,-	1	11
49	2 609 101 070	Lens	1	-,-	1	11
50	2 609 101 083	Lens	1	-,-	1	11
100	2 609 111 584	Clip	1	-,-	1	15
101	2 609 110 201	Torx Flat-Head Screw 3x16	1	-,-	9	10
103	2 609 110 835	Nut	1	-,-	2	10
105	2 609 111 447	Pan head screw	1	-,-	2	10
107	2 609 110 834	Screw	1	-,-	1	10
109	2 609 110 343	Screwdriver Blade	1	-,-	1	13
651	2 607 336 819	Battery Pack BBS MR-XL 18V, 4,0Ah, LI	1	-,-	1	51
653	2 607 225 429	Fast Charger USA 120/10,8-18V, 1h	1	-,-	1	41
802	2 609 199 548	DC motor 18V	1	-,-	1	46
804	1 609 280 478	Contact retainer	1	-,-	1	26
808	2 609 133 991	Nameplate	1	-,-	1	13