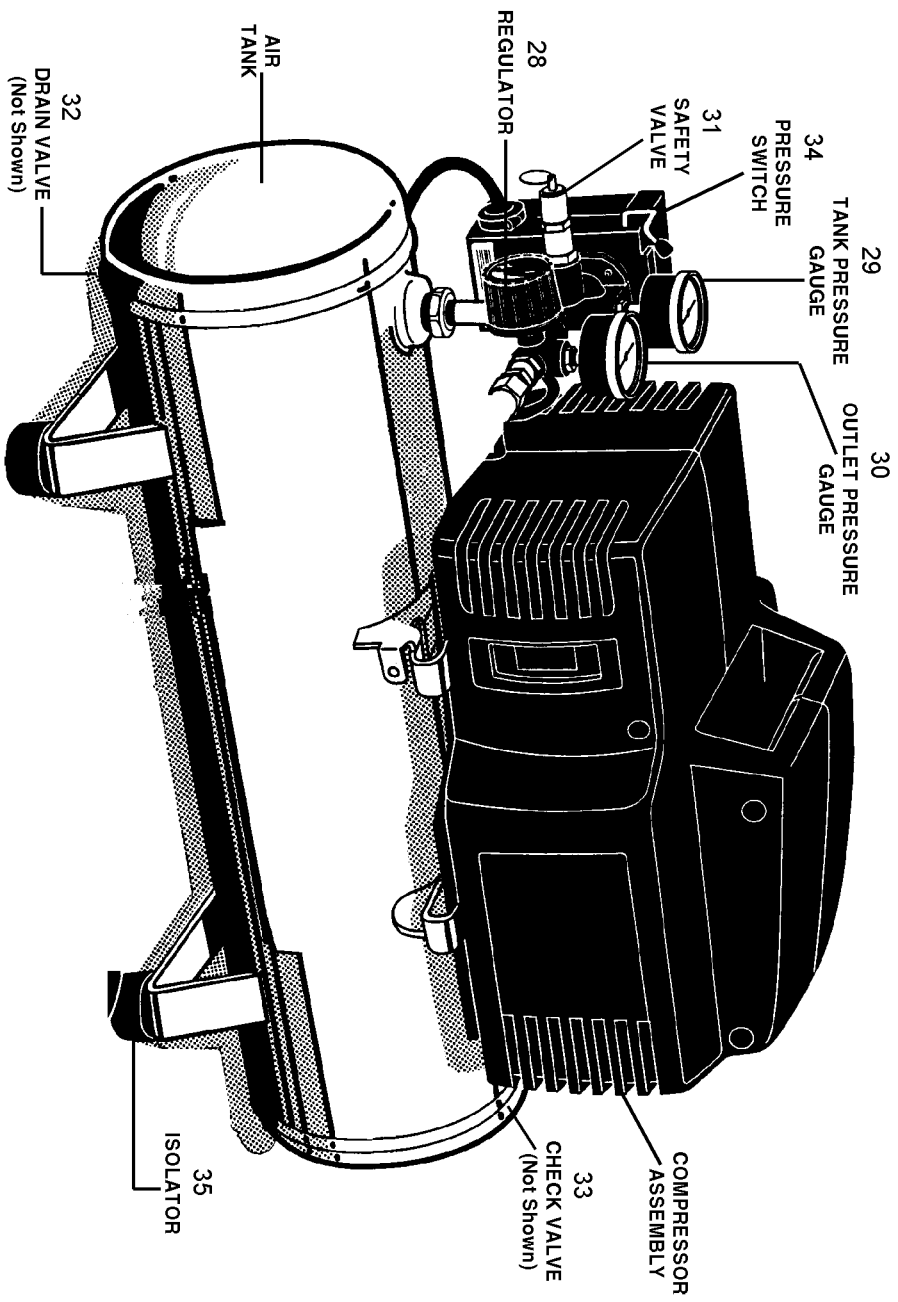


*POWER CORD (GREEN)
GROUND WIRE



Parts List for IRFA125 Type 2

Item Number	Part Number	Description	Qty Required
1	SSF-995	SCREW #10-24X.875 HH	4
2	CAC-1196	HEAD UMC	1
3	N044359	TUBE SEAL	1
4	Z-D24819	GASKET HEAD UMC GRAP	1
5	N017592SV	VALVE PLATE ASSY	1
6	SSG-8169	ORING 2.132/2.096ID	1
7	DAC-269	TUBE OUTLET 2.5G UMC	1
8	N036518	CON ROD ASSY	1
9	A19123	SCREW	1
10	N036518	CON ROD ASSY	1
11	000000-00	No Longer Available	1
12	CAC-1342	BELT TIMING GOODYEAR	1
13	D25731	ISOLATOR PUMP	1
14	000000-00	No Longer Available	1
16	CAC-1254	ISOLATOR PUMP	1
17	000000-00	No Longer Available	1
18	000000-00	No Longer Available	1
19	AC-0206	TUBE ISOLATOR	1
20	SUDL-403-1	ASSY CORD POWER SJT	1
21	000000-00	No Longer Available	1
22	SSF-3156	SCREW #10-9X.500 THD	4
23	CAC-1206-1	CLAMP HOSE .250 ID H	1
25	SUDL-9-1	SCREW #8-32X.375/.34	1
27	SSF-621	SCREW .250-14X.625 F	1
28	CAC-4296-1	REGULATOR 3PORT P2 L	1
29	Z-D23004	GAUGE 1.5OD 200PSI .	1
30	Z-D23004	GAUGE 1.5OD 200PSI .	1

Parts List for IRFA125 Type 2

Item Number	Part Number	Description	Qty Required
31	TIA-4150	VALVE SAFETY 150 .25	1
32	N286039	DRAIN VALVE	1
33	D24879	VALVE CHECK 1/2NPT X	1
34	Z-DAC-4105-2	SWITCH PRESS 4PORT 1	1
35	SST-5314-1	BUMPER RECESS RUBBER	4
856	N036518	CON ROD ASSY	1
856	000000-00	No Longer Available	1
856	KK-4929	KIT FASTENER	1