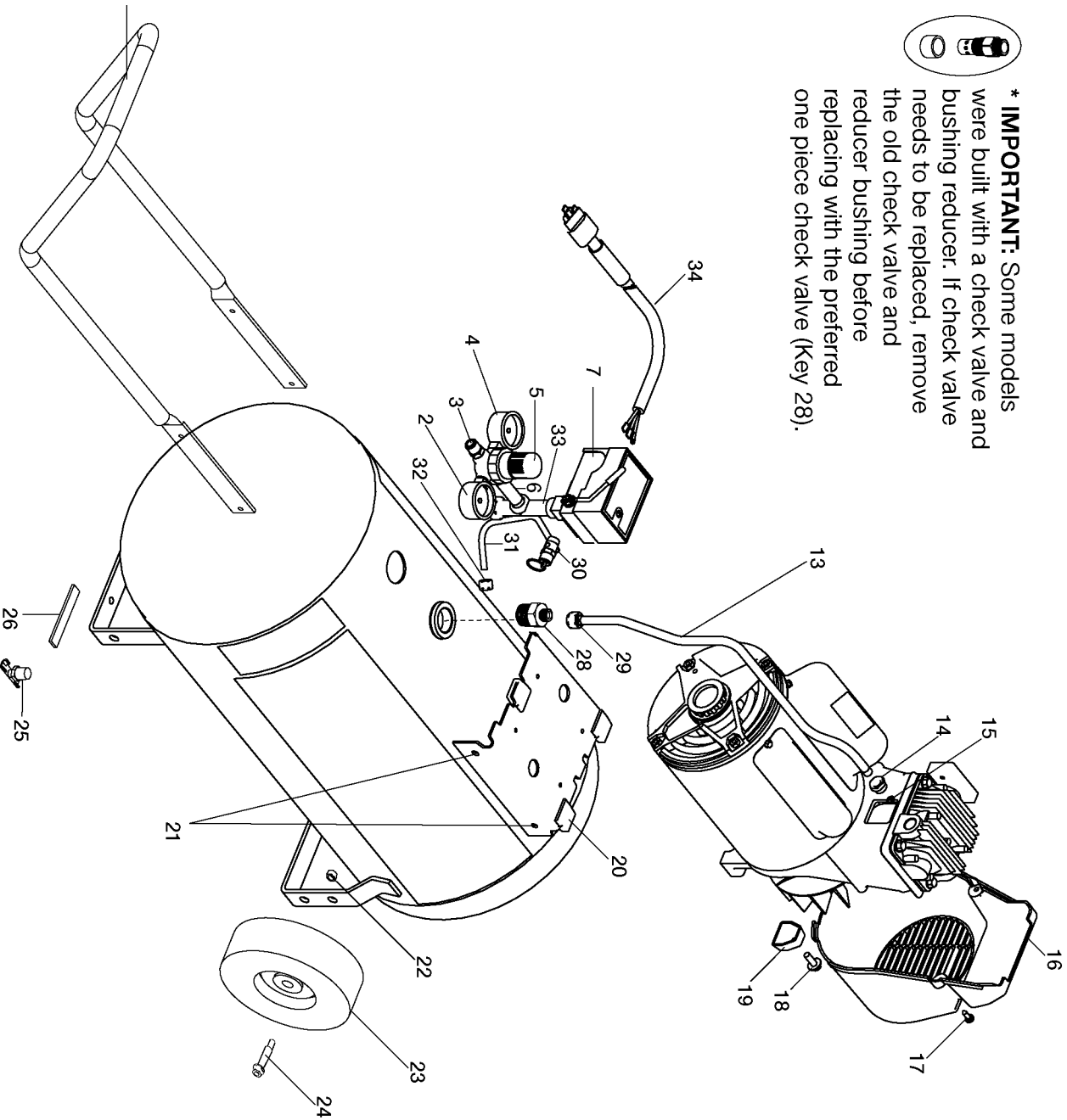




**\* IMPORTANT:** Some models were built with a check valve and bushing reducer. If check valve needs to be replaced, remove the old check valve and reducer bushing before replacing with the preferred one piece check valve (Key 28).



## Parts List for IRF412 Type 1

Item Number	Part Number	Description	Qty Required
1	000000-00	No Longer Available	1
2	AC-0009-1	GAUGE RIGHT HAND	1
3	D26889	ADAPTER .25 NPT X .2	1
4	Z-AC-0010-1	GAUGE LEFT HAND	1
6	D24888	NIPPLE .25NPT X 2.5	1
7	5140118-56	PRESSURE SWITCH	1
13	000000-00	No Longer Available	1
14	SSP-7821-1	NUT .563-18 UNF HEX	1
15	SSG-3105	ORING 306/296ID 073/	1
16	AC-0376	SHROUD MINI	1
17	ACG-408	ASSY FASTENER	2
18	91895680	SCREW .250-20X.750 H	2
19	ACG-18	CUP SADDLE MOUNT	2
20	ACG-19	ISOLATOR 3 POINT MOU	3
21	SSF-981	SCREW .250-14X.500 H	4
22	SSF-8080-ZN	NUT .375-16 UNC-2B H	2
23	000000-00	No Longer Available	2
24	CAC-60	BOLT .375-16X2.25 UN	2
25	N286039	DRAIN VALVE	1
26	SUDL-6-1	STRIP RUBBER FOOT	1
28	A19717	VALVE CHECK 3/4NPT X	1
29	SSP-7813	ASSY NUT SLEEVE 3/8	1
30	TIA-4150	VALVE SAFETY 150 .25	1
31	000000-00	No Longer Available	1
32	SSP-7811	ASSY NUT SLEEVE 1/4	1
33	AC-0027-2	STANDPIPE BRASS MALE	1
34	D26615	CORD POWER ST 14GA 1	1

## Parts List for IRF412 Type 1

Item Number	Part Number	Description	Qty Required
51	DAC-143	FILTER INTAKE	1
54	AC-0037	HEAD 3/8 OUTLET FRON	1
56	SSF-927	SCREW .250-20X1.125	4
57	ACG-45	ORING P/L HEAD	1
58	Z-AC-0032	ASSY VALVE PLATE	1
59	SSG-8156	ORING 2.759/2.719ID	1
62	000000-00	No Longer Available	1
65	Z-AC-0140	ASSY ECCENTRIC BEARI	1
66	SSF-615	SCREW .250-20X1.25 U	1
67	AC-0108	FAN 5.75 DIA	1
69	SSF-586	SCREW .250-20X.750 U	1
70	SSF-3158-1	SCREW #10-24X.750 TH	1
856	KK-4835	KIT CONNECTING ROD L	1
856	KK-4981	KIT MUFFLER FILTER	1
856	D30144	KIT CAPACITOR	1
856	K-0650	KIT COMP RING REPLAC	1