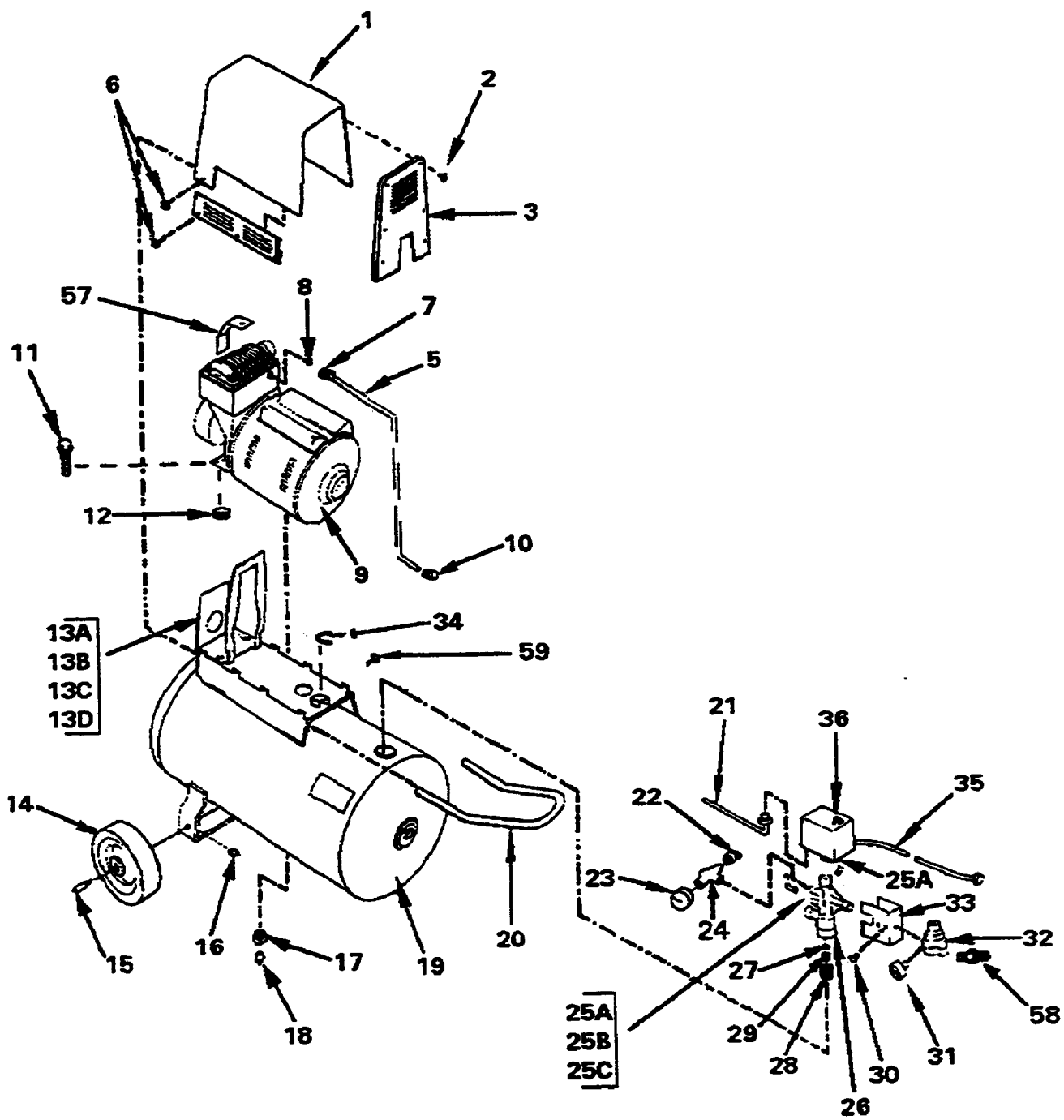


KEY NO.	TORQUE
42	7 to 10 Ft. Lbs.
43	7 to 10 Ft. Lbs.
53	100 to 120 In. Lbs.
56	80 to 100 In. Lbs.
◆	42 to 48 In. Lbs.



Parts List for IR250E20AD Type 0

Item Number	Part Number	Description	Qty Required
1	000000-00	No Longer Available	1
2	000000-00	No Longer Available	1
3	000000-00	No Longer Available	1
4	000000-00	No Longer Available	1
5	000000-00	No Longer Available	1
6	91895680	SCREW .250-20X.750 H	8
7	SSP-7821-1	NUT .563-18 UNF HEX	1
8	CAC-1120	SLEEVE SILICONE	1
9	000000-00	No Longer Available	1
10	SSP-7813	ASSY NUT SLEEVE 3/8	1
11	SSF-505	SCREW .250-28X.915 U	1
12	000000-00	No Longer Available	1
13	000000-00	No Longer Available	1
13	000000-00	No Longer Available	1
13	SSF-953-ZN	SCREW #10X.625 HHW S	1
13	SS-6505-CD	WASHER 250-281ID 625	1
14	000000-00	No Longer Available	2
15	CAC-60	BOLT .375-16X2.25 UN	1
16	SSF-8080-ZN	NUT .375-16 UNC-2B H	2
17	000000-00	No Longer Available	1
18	N286039	DRAIN VALVE	1
19	000000-00	No Longer Available	1
20	000000-00	No Longer Available	1
21	CAC-4205	CORD MOTOR SJT 14G	1
22	97503734	VALVE SAFETY 150 .12	1
23	Z-D23004	GAUGE 1.5OD 200PSI .	1
24	000000-00	No Longer Available	1

Parts List for IR250E20AD Type 0

Item Number	Part Number	Description	Qty Required
25	000000-00	No Longer Available	1
25	5130039-00	SLEEVE	1
25	SSP-7811	ASSY NUT SLEEVE 1/4	1
26	000000-00	No Longer Available	1
27	000000-00	No Longer Available	1
28	000000-00	No Longer Available	1
29	000000-00	No Longer Available	1
30	000000-00	No Longer Available	1
31	Z-D23004	GAUGE 1.5OD 200PSI .	4
32	DAC-180	REGULATOR 3PORT P2 H	1
33	000000-00	No Longer Available	1
34	000000-00	No Longer Available	1
35	SUDL-403-1	ASSY CORD POWER SJT	1
36	000000-00	No Longer Available	1
37	KK-4981	KIT MUFFLER FILTER	1
38	DAC-143	FILTER INTAKE	1
39	KK-4981	KIT MUFFLER FILTER	1
40	KK-4981	KIT MUFFLER FILTER	1
41	000000-00	No Longer Available	1
42	000000-00	No Longer Available	1
43	SSF-990	SCREW .250-20X1.25 U	3
44	DAC-140	VALVE FLOW	1
45	000000-00	No Longer Available	1
46	000000-00	No Longer Available	1
47	SSG-8156	ORING 2.759/2.719ID	1
48	KK-4835	KIT CONNECTING ROD L	1
49	KK-4835	KIT CONNECTING ROD L	1

Parts List for IR250E20AD Type 0

Item Number	Part Number	Description	Qty Required
50	000000-00	No Longer Available	1
51	000000-00	No Longer Available	1
52	000000-00	No Longer Available	1
53	SSF-3153	SCREW .313-18X.500 U	1
54	KK-5018	KIT FAN	1
55	KK-5018	KIT FAN	1
56	KK-5018	KIT FAN	1
57	000000-00	No Longer Available	1
856	000000-00	No Longer Available	1
856	000000-00	No Longer Available	1
856	KK-5018	KIT FAN	1
856	KK-4981	KIT MUFFLER FILTER	1
856	KK-4835	KIT CONNECTING ROD L	1