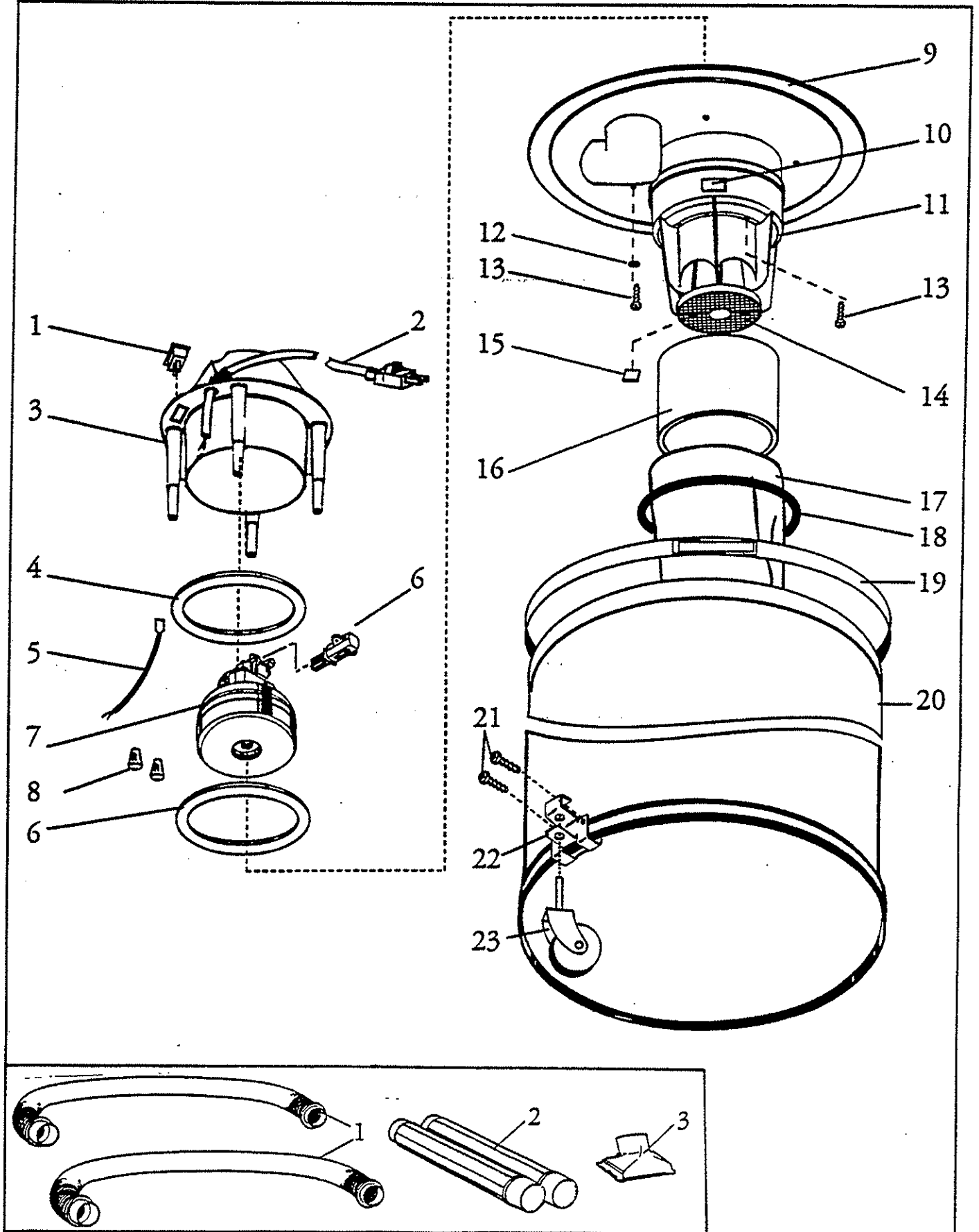


# INDUSTRIAL 28 GALLON DRY VACUUM IDV-28



## PARTS LIST FOR AFTER SALES SERVICE MODEL IDV28

1	PART NO.	DESCRIPTION	QTY	REF	PART NO.	DESCRIPTION	QTY
1	972058001	SWITCH	1				
2	661784102	POWER CORD W/ STRAIN RELIEF	1				
3	661529001	MOTOR COVER	1				
4	644321002	GASKET	2				
5	660806005	LEAD WITH TERMINAL	1				
6	643909902	CARBON BRUSH SET	1				
7	660812001	MOTOR ASSEMBLY	1				
8	642149001	WIRE NUT	2				
9	662145001	LID WITH MOUNTING HOLES	1				
10	966867013	FOAM GASKET	4				
11	661758002	HOUSING ASSEMBLY	1				
12	931055821	WASHER	4				
13	968702007	SCREW	8				
14	642313000	GUARD	1				
15	661859001	FAOM PAD	2				
16	662951001	FOAM FILTER (RING)	1				
17	662953001	CLOTH FILTER	1				
18	661761001	RUBBER BAND	1				
19	662143001	LOCK RING	1				
20	662053002	DRUM	1				
21	662774001	HEX SCREW	8				
22	662085001	CASTER BRACKET	3				
23	662116002	CASTER ASSEMBLY	3				
<b>STANDARD ACCESSORIES</b>							
1	641871007	HOSE ASSEMBLY	2				
2	641848002	WAND 2 1/2"	2				
3	641870004	NOZZLE	1				

**SERVICE NOTES:**