

## Impact Wrench - 3 601 JA9 110 - IDS181

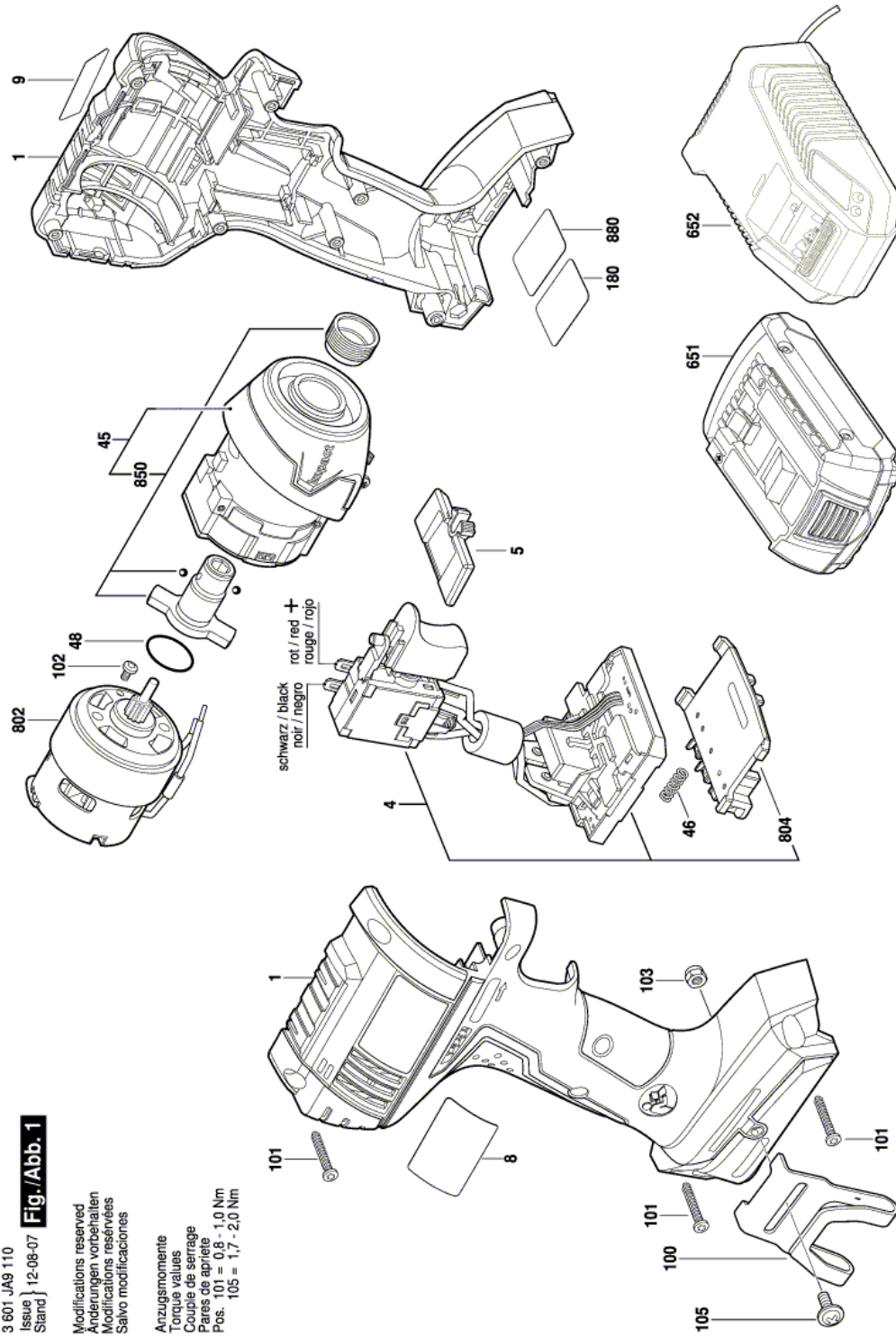
www.powertools-aftersaleservice.com



**BOSCH**

Item	Part Number	Description	Illustration	Price	Quantity	Price Group
1	2 609 101 008	Housing BLUE	1	-,-	1	32
4	1 607 233 482	Electronics Module	1	-,-	1	44
5	2 609 101 009	Adjusting lever	1	-,-	1	12
8	2 609 133 254	Warning Plate	1	-,-	1	13
9	2 609 133 253	Manufacturer's nameplate	1	-,-	1	13
45	2 609 199 365	Gear Box	1	-,-	1	45
46	1 609 280 477	Compression Spring	1	-,-	1	11
48	2 609 170 121	Seal ring	1	-,-	1	10
100	2 609 110 956	Clip	1	-,-	1	20
101	2 609 110 201	Torx Flat-Head Screw 3x16	1	-,-	5	10
102	2 609 110 950	Torx Flat-Head Screw	1	-,-	2	10
103	2 609 110 835	Nut	1	-,-	1	10
105	2 609 110 834	Screw	1	-,-	1	10
180	2 609 133 255	Reference Plate	1	-,-	1	13
651	2 607 336 561	Slide-In Accu Package 18V, 1,5AH Li BAT610G	1	-,-	1	-
651	2 607 336 237	Slide-In Accu Package BBS MR L-PACK 18V, 3,0Ah, LI	1	-,-	1	54
651	2 607 336 189	Slide-In Accu Package 18V, 1,3Ah, LI, MS	1	-,-	1	48
652	2 607 225 429	Fast Charger USA 120/10,8-18V, 1h	1	-,-	1	41
652	2 607 225 327	Charger USA 120/10,8-18V, 30 MIN	1	-,-	1	49
802	2 609 199 421	DC motor 18V	1	-,-	1	39
804	1 609 280 478	Contact retainer	1	-,-	1	26
850	2 609 199 320	Coupling Half	1	-,-	1	27
880	2 609 133 252	Nameplate	1	-,-	1	13

Illustration - Type E



Information subject to change without further notice.