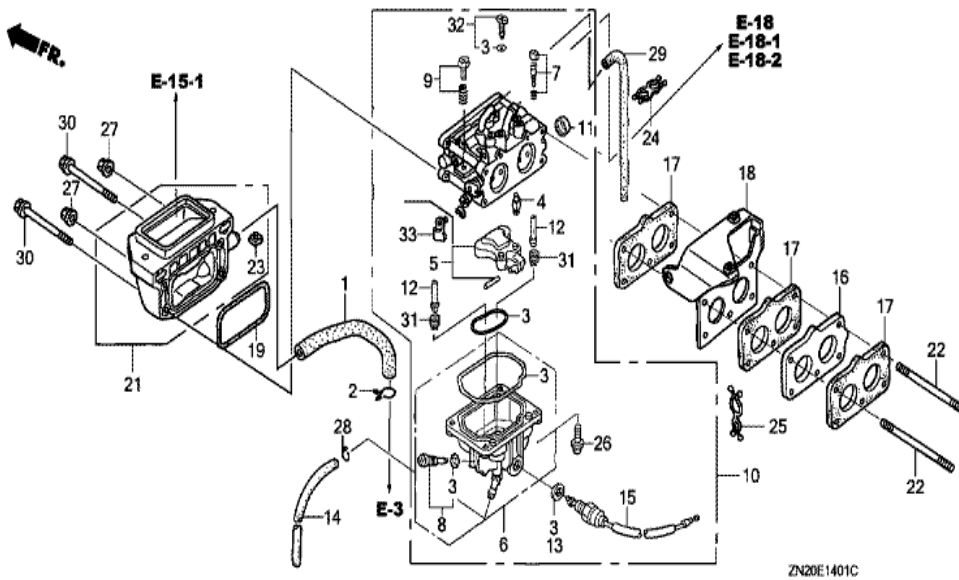
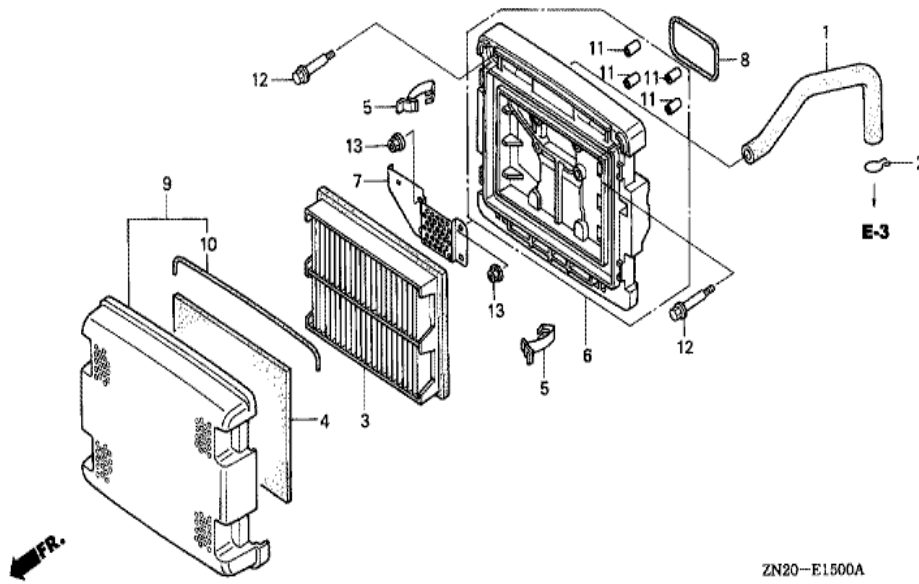


| <u>Ref</u> | <u>Partnumber</u> | <u>Description</u>         | <u>GXV670</u> | <u>Serial Numbers</u> |
|------------|-------------------|----------------------------|---------------|-----------------------|
| 001        | 16715-ZJ1-840     | COVER, FUEL PUMP           | 1             |                       |
| 002        | 19611-ZJ1-840ZC   | COVER, FAN *R280 *         | 1             | 1003896               |
| 003        | 19612-ZJ1-841     | PLATE, SIDE                | 1             | 1002554               |
| 004        | 19614-ZJ1-841     | PLATE, SIDE                | 1             | 1002554               |
| 005        | 19631-ZJ1-840     | SHROUD                     | 1             |                       |
| 006        | 19632-ZN1-010     | SHROUD                     | 1             | 1002232               |
| 007        | 30588-898-000     | CLAMP, HIGH TENSION TUBE   | 1             |                       |
| 008        | 33713-GC2-000     | COLLAR B, TAILLIGHT        | 6             |                       |
| 009        | 90013-883-000     | BOLT, FLANGE, 6X12 (CT200) | 9             |                       |
| 010        | 90018-ZE1-000     | BOLT, FLANGE, 6X23 (CT200) | 2             |                       |
| 011        | 90042-ZJ1-840     | BOLT, STUD, 6X71           | 4             |                       |
| 012        | 90313-ZJ1-840     | NUT, SQUARE, 5MM           | 2             |                       |
| 013        | 93913-25580       | SCREW, TAPPING, 5X20       | 2             |                       |
| <u>Ref</u> | <u>Partnumber</u> | <u>Description</u>         | <u>GXV670</u> | <u>Serial Numbers</u> |
| 014        | 94050-06000       | NUT, FLANGE, 6MM           | 4             |                       |
| 015        | 95701-0600800     | BOLT, FLANGE, 6X8          | 2             |                       |



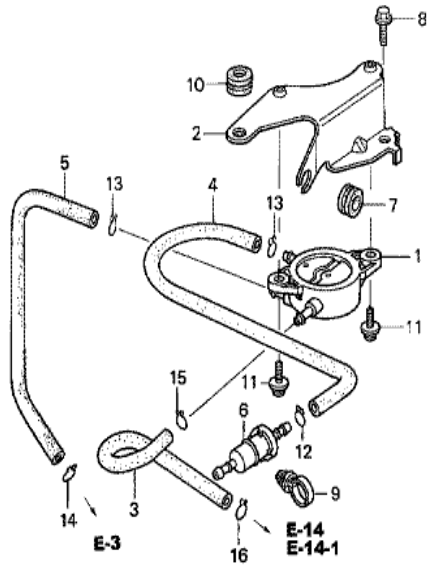
ZN20E1401C

| Ref | Partnumber    | Description                     | GXV670 | Serial Numbers |
|-----|---------------|---------------------------------|--------|----------------|
| 003 | 16010-ZN1-801 | GASKET SET                      | 1      | BK02A A        |
| 004 | 16011-ZN1-801 | VALVE SET, FLOAT                | 1      | BK02A A        |
| 005 | 16013-ZN1-801 | FLOAT SET                       | 1      | BK02A A        |
| 006 | 16015-ZN1-801 | CHAMBER SET, FLOAT              | 1      | BK02A A        |
| 007 | 16016-ZN1-801 | SCREW SET, PILOT                | 2      | BK02A A        |
| 008 | 16024-124-760 | SCREW SET, DRAIN                | 1      | BK02A A        |
| 009 | 16028-ZN1-801 | SCREW SET, THROTTLE             | 1      | BK02A A        |
| 010 | 16100-ZN2-801 | CARBURETOR ASSY. (BK02A A)      | 1      | 1000599        |
| 011 | 16148-141-881 | CAP, CHOKE DUST                 | 1      | BK02A A        |
| 012 | 16166-ZN2-801 | NOZZLE, MAIN                    | 2      | BK02A A        |
| 013 | 16178-ZN1-801 | WASHER, PLAIN                   | 1      | BK02A A        |
| 014 | 16198-ZJ1-840 | TUBE, DRAIN                     | 1      | 1000599        |
| 015 | 16200-ZN1-801 | VALVE ASSY., SOLENOID (KEIHIN)  | 1      | BK02A A        |
| Ref | Partnumber    | Description                     | GXV670 | Serial Numbers |
| 016 | 16211-ZN1-000 | INSULATOR, CARBURETOR           | 1      | 1000599        |
| 017 | 16221-ZN1-000 | PACKING, CARBURETOR             | 3      |                |
| 022 | 90041-147-000 | BOLT, STUD, 6X108               | 2      | 1000599        |
| 024 | 90658-SA0-003 | CLIP, WIRE HARNESS              | 1      | 1000599        |
| 025 | 91402-ZJ1-841 | CLIP, PURSE LOCK                | 1      | 1000599        |
| 026 | 93500-040121H | SCREW, PAN, 4X12                | 4      | BK02A A        |
| 028 | 95002-02080   | CLIP, TUBE (B8)                 | 1      |                |
| 029 | 95005-4554020 | TUBE, 4.5X540 (95005-45001-20M) | 1      | 1000599        |
| 030 | 95701-0609500 | BOLT, FLANGE, 6X95              | 2      | 1000599        |
| 031 | 99101-ZH80920 | JET, MAIN, #92                  | (2)    | BK02A A        |
| 031 | 99101-ZH80980 | JET, MAIN, #98                  | (2)    | BK02A A        |
| 031 | 99101-ZH81020 | JET, MAIN, #102                 | 2      | BK02A A        |
| 032 | 99204-ZE20400 | JET SET, PILOT, #40             | 2      | BK02A A        |
| 033 | 16126-ZJ1-841 | ARM, THROTTLE LINKAGE           | 1      | BK02A A        |



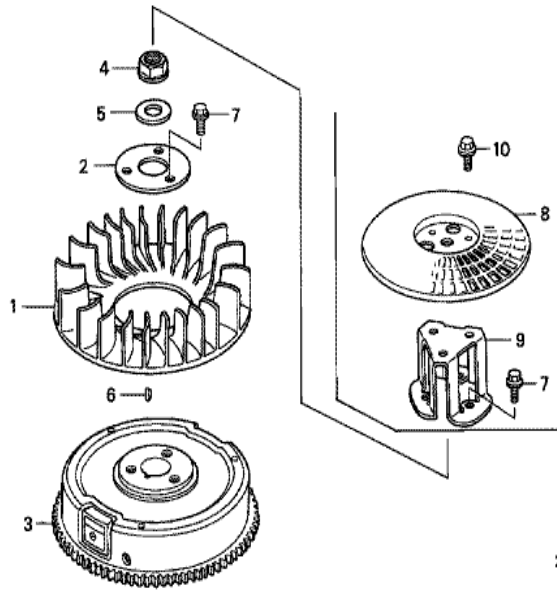
ZN20-E1500A

| Ref | Partnumber    | Description                | GXV670 | Serial Numbers |
|-----|---------------|----------------------------|--------|----------------|
| 001 | 12357-ZJ4-830 | TUBE, BREATHER             | 1      |                |
| 002 | 15772-551-000 | CLIP, BREATHER TUBE        | 1      |                |
| 003 | 17210-ZJ1-842 | ELEMENT COMP., AIR CLEANER | 1      |                |
| 004 | 17218-ZJ1-840 | FILTER, OUTER              | 1      |                |
| 005 | 17219-ZJ1-840 | CLIP, AIR CLEANER          | 4      |                |
| 006 | 17220-ZN2-000 | CASE COMP., AIR CLEANER    | 1      |                |
| 007 | 17223-ZN2-000 | CAP, AIR CLEANER           | 1      |                |
| 008 | 17228-ZN1-000 | PACKING, AIR CLEANER       | 1      |                |
| 009 | 17230-ZJ1-840 | COVER ASSY., AIR CLEANER   | 1      |                |
| 010 | 17233-ZJ1-840 | SEAL, AIR CLEANER COVER    | 1      |                |
| 011 | 17238-ZJ4-830 | COLLAR A, AIR CLEANER      | 4      |                |
| 012 | 90003-ZJ1-840 | BOLT, SPECIAL, 5MM         | 2      |                |
| 013 | 94050-06000   | NUT, FLANGE, 6MM           | 2      |                |



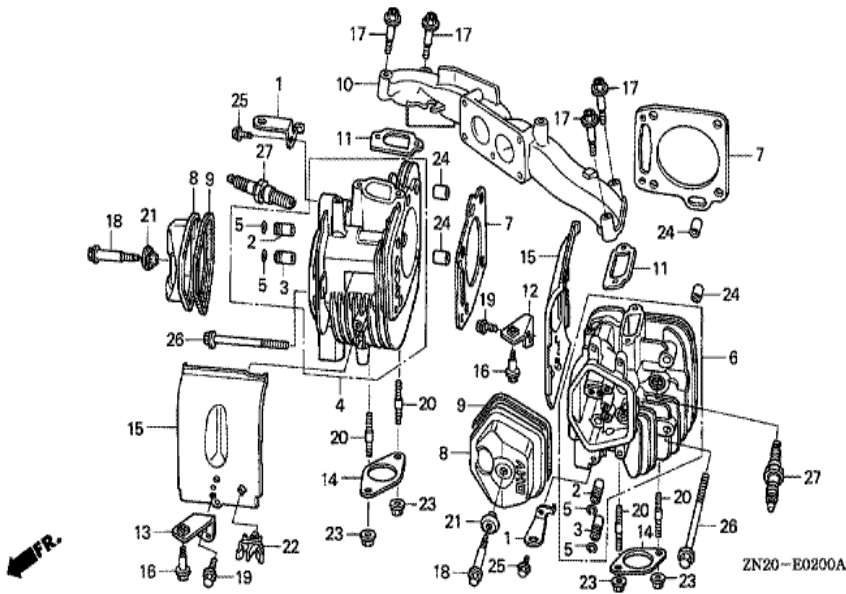
ZN20-B1800B

| <u>Ref</u> | <u>Partnumber</u> | <u>Description</u>         | <u>GXV670</u> | <u>Serial Numbers</u> |
|------------|-------------------|----------------------------|---------------|-----------------------|
| 001        | 16700-ZL8-013     | PUMP ASSY., FUEL           | 1             |                       |
| 002        | 16711-ZJ1-840     | STAY, FUEL PUMP            | 1             |                       |
| 003        | 16851-ZN2-000     | TUBE, FUEL                 | 1             |                       |
| 004        | 16852-ZJ1-840     | TUBE B, FUEL               | 1             |                       |
| 005        | 16882-ZJ1-840     | TUBE, DIAPHRAGM            | 1             |                       |
| 006        | 16910-ZE8-015     | STRAINER COMP., FUEL       | 1             |                       |
| 007        | 19111-MF5-000     | GROMMET, RESERVE TANK      | 1             |                       |
| 008        | 90014-952-000     | BOLT, FLANGE, 6X14 (CT200) | 1             |                       |
| 009        | 90617-SA0-003     | CLIP, WIRE HARNESS         | 1             |                       |
| 010        | 91601-ZJ1-840     | GROMMET, PUMP STAY         | 1             |                       |
| 011        | 93894-0601600     | SCREW-WASHER, 6X16         | 2             |                       |
| 012        | 95002-02080       | CLIP, TUBE (B8)            | 1             |                       |
| 013        | 95002-02100       | CLIP, TUBE (B10)           | 2             |                       |
| <u>Ref</u> | <u>Partnumber</u> | <u>Description</u>         | <u>GXV670</u> | <u>Serial Numbers</u> |
| 014        | 95002-50000       | CLIP, TUBE (C9)            | 1             |                       |
| 015        | 95002-70000       | CLIP, TUBE (C11)           | 1             |                       |
| 016        | 95002-02100       | CLIP, TUBE (B10)           | 1             | 1005268               |

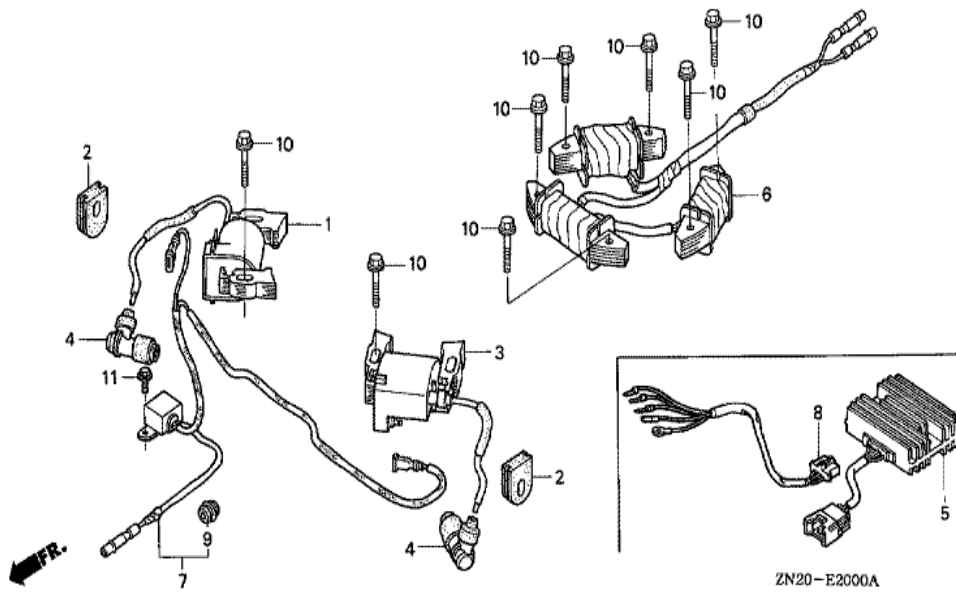


ZN20-E1900C

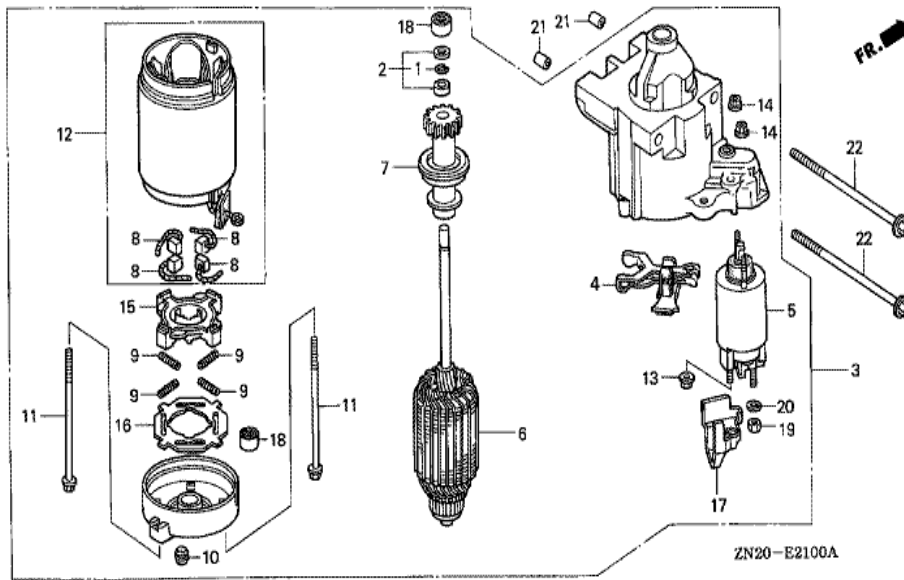
| Ref | Partnumber    | Description                  | GXV670 | Serial Numbers |
|-----|---------------|------------------------------|--------|----------------|
| 001 | 19511-ZJ1-000 | FAN, COOLING                 | 1      |                |
| 002 | 19513-ZJ1-000 | PLATE, COOLING FAN SETTING   | 1      |                |
| 003 | 31110-ZJ1-840 | FLYWHEEL COMP.               | 1      |                |
| 004 | 90201-ZG3-000 | NUT, FLANGE, 20MM            | 1      |                |
| 005 | 90401-ZG3-000 | WASHER, 20MM                 | 1      |                |
| 006 | 90741-ZE2-000 | KEY, SPECIAL WOODRUFF, 25X18 | 1      |                |
| 007 | 95701-0801600 | BOLT, FLANGE, 8X16           | 3      |                |



| <u>Ref</u> | <u>Partnumber</u> | <u>Description</u>            | <u>GXV670</u> | <u>Serial Numbers</u> |
|------------|-------------------|-------------------------------|---------------|-----------------------|
| 001        | 11911-ZJ1-840     | HANGER, ENGINE                | 2             |                       |
| 002        | 12204-ZE2-306     | GUIDE, IN. VALVE (O.S.)       | (2)           |                       |
| 003        | 12205-ZJ1-405     | GUIDE, EX. VALVE (O.S.)       | (2)           |                       |
| 004        | 12210-ZJ1-406     | HEAD COMP., CYLINDER (#1)     | 1             |                       |
| 005        | 12216-ZE2-300     | CLIP, VALVE GUIDE             | 4             |                       |
| 006        | 12220-ZJ1-405     | HEAD COMP., CYLINDER (#2)     | 1             |                       |
| 007        | 12251-ZJ1-841     | GASKET, CYLINDER HEAD         | 2             |                       |
| 008        | 12311-ZJ1-840     | COVER, HEAD                   | 2             |                       |
| 009        | 12391-ZE2-020     | PACKING, HEAD COVER           | 2             |                       |
| 010        | 17101-ZN1-000     | MANIFOLD, INTAKE              | 1             |                       |
| 011        | 17151-ZJ1-841     | GASKET, INTAKE MANIFOLD       | 2             |                       |
| 012        | 17213-ZJ4-830     | BRACKET, R. AIR CLEANER       | 1             |                       |
| 013        | 17214-ZJ4-830     | BRACKET, L. AIR CLEANER       | 1             |                       |
| <u>Ref</u> | <u>Partnumber</u> | <u>Description</u>            | <u>GXV670</u> | <u>Serial Numbers</u> |
| 014        | 18333-ZE3-800     | GASKET, EX. PIPE              | 2             |                       |
| 015        | 19682-ZJ1-840     | SHROUD, HEAD                  | 2             |                       |
| 016        | 90002-ZJ1-840     | BOLT, FLANGE, 6MM             | 2             |                       |
| 017        | 90011-ZJ1-841     | BOLT, SOCKET, 8X45            | 4             |                       |
| 018        | 90014-ZE2-000     | BOLT, HEAD COVER              | 2             |                       |
| 019        | 90014-952-000     | BOLT, FLANGE, 6X14 (CT200)    | 2             |                       |
| 020        | 90018-ZJ1-840     | BOLT, STUD, 8X22              | 4             |                       |
| 021        | 90441-ZE2-010     | WASHER COMP., HEAD COVER      | 2             |                       |
| 022        | 90684-SB3-003     | CLIP, FUEL TUBE               | 1             |                       |
| 023        | 94050-08000       | NUT, FLANGE, 8MM              | 4             |                       |
| 024        | 94301-12200       | DOWEL PIN, 12X20              | 4             |                       |
| 025        | 95701-0802000     | BOLT, FLANGE, 8X20            | 2             |                       |
| 026        | 95701-1008000     | BOLT, FLANGE, 10X80           | 8             |                       |
| 027        | 98079-52876       | PLUG, SPARK (BPR2ES) (NGK)    | (2)           |                       |
| 027        | 98079-5485V       | PLUG, SPARK (J14CR-U) (DENSO) | (2)           |                       |
| 027        | 98079-5487V       | PLUG, SPARK (ZGR4A)           | (2)           |                       |
| 027        | 98079-5585V       | PLUG, SPARK (J16CR-U) (DENSO) | 2             |                       |
| 027        | 98079-5587V       | PLUG, SPARK (ZGR5A)           | 2             |                       |

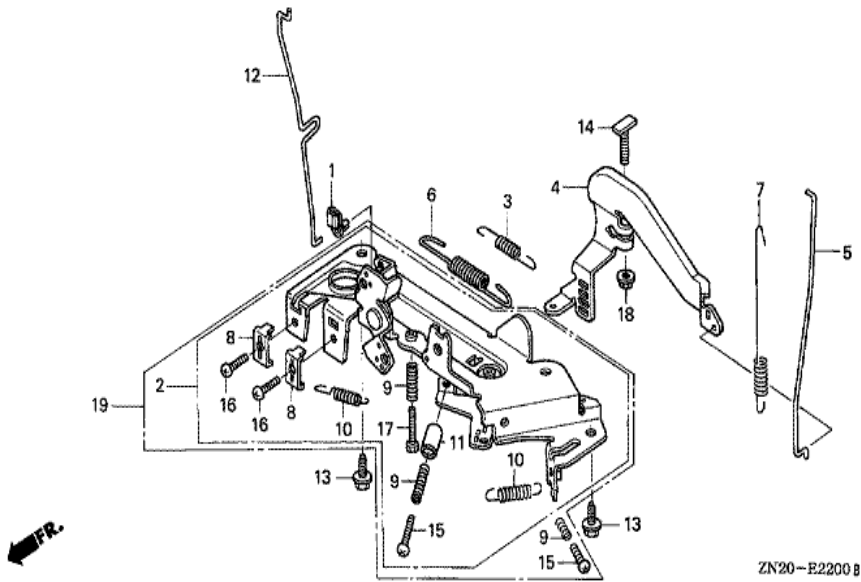


| Ref | Partnumber    | Description                          | GXV670 | Serial Numbers |
|-----|---------------|--------------------------------------|--------|----------------|
| 001 | 30500-ZJ1-844 | COIL ASSY., IGNITION (BLACK) (200MM) | 1      |                |
| 002 | 30518-ZJ1-000 | GROMMET, HIGH TENSION CORD           | 2      |                |
| 003 | 30550-ZJ1-844 | COIL ASSY., IGNITION (GRAY) (215MM)  | 1      | 1012693        |
| 004 | 30700-ZJ1-841 | CAP ASSY., NOISE SUPPRESSOR          | 2      |                |
| 005 | 31620-ZG5-013 | RECTIFIER ASSY., REGULATOR (20A)     | 1      |                |
| 006 | 31630-ZJ1-801 | COIL ASSY., CHARGE (12V/20A)         | 1      |                |
| 007 | 31740-ZJ1-861 | DIODE ASSY., ENGINE STOP             | 1      | 1000951        |
| 008 | 32105-ZJ1-800 | HARNESS ASSY., SUB WIRE              | 1      |                |
| 009 | 63312-ZA7-000 | GROMMET, TOOL                        | 1      |                |
| 010 | 90031-ZE1-000 | BOLT, FLANGE, 6X32                   | 8      |                |
| 011 | 95701-0600800 | BOLT, FLANGE, 6X8                    | 1      |                |

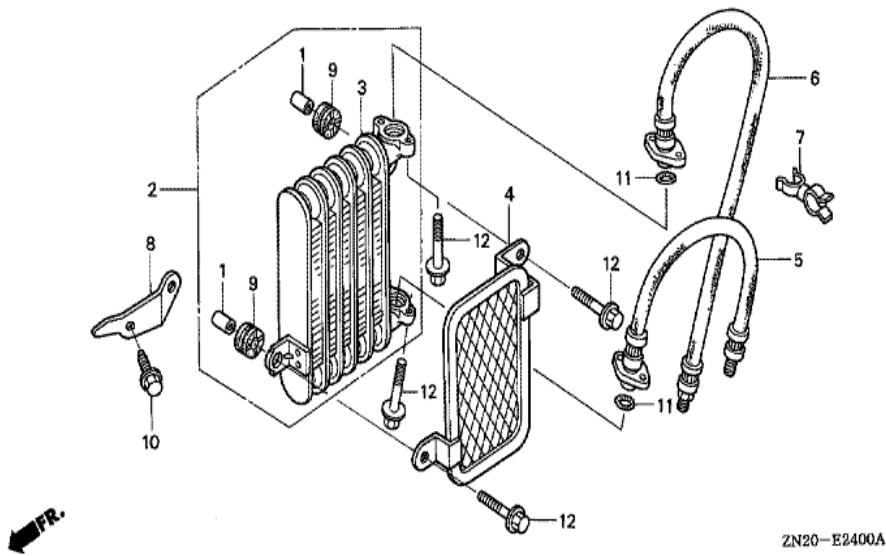


| <u>Ref</u> | <u>Partnumber</u> | <u>Description</u>        | <u>GXV670</u> | <u>Serial Numbers</u> |
|------------|-------------------|---------------------------|---------------|-----------------------|
| 001        | 30201-PH9-004     | RING, SNAP (DENSO)        | 1             |                       |
| 002        | 30202-PZ1-003     | COLLAR SET, CLUTCH STOP   | 1             |                       |
| 003        | 31200-ZJ4-831     | MOTOR ASSY., STARTER      | 1             |                       |
| 004        | 31203-PH9-004     | LEVER, PINION DRIVE       | 1             |                       |
| 005        | 31204-ZJ1-H01     | SWITCH ASSY., MAGNET      | 1             |                       |
| 006        | 31206-ZG4-801     | ARMATURE COMP.            | 1             |                       |
| 007        | 31207-ZJ4-831     | CLUTCH COMP., OVERRUNNING | 1             |                       |
| 008        | 31211-PH9-004     | BRUSH                     | 4             |                       |
| 009        | 31212-PH9-004     | SPRING, BRUSH             | 4             |                       |
| 010        | 31213-679-004     | COVER                     | 1             |                       |
| 011        | 31214-PH9-004     | BOLT, THROUGH             | 2             |                       |
| 012        | 31218-P64-N01     | YOKE COMP.                | 1             |                       |
| 013        | 31220-PH9-004     | NUT, HEX., 8MM            | 1             |                       |
| <u>Ref</u> | <u>Partnumber</u> | <u>Description</u>        | <u>GXV670</u> | <u>Serial Numbers</u> |
| 014        | 31223-PA0-006     | NUT, HEX.                 | 2             |                       |
| 015        | 31231-PH9-004     | HOLDER, BRUSH             | 1             |                       |
| 016        | 31233-PH9-004     | INSULATOR, BRUSH HOLDER   | 1             |                       |
| 017        | 31234-ZJ1-H01     | COVER, TERMINAL           | 1             |                       |
| 018        | 91002-ZG4-801     | BEARING A                 | 2             |                       |
| 019        | 94001-082000S     | NUT, HEX., 8MM            | 1             |                       |
| 020        | 94111-08000       | WASHER, SPRING, 8MM       | 1             |                       |
| 021        | 94301-10120       | DOWEL PIN, 10X12          | 2             |                       |
| 022        | 95701-0811000     | BOLT, FLANGE, 8X110       | 2             |                       |



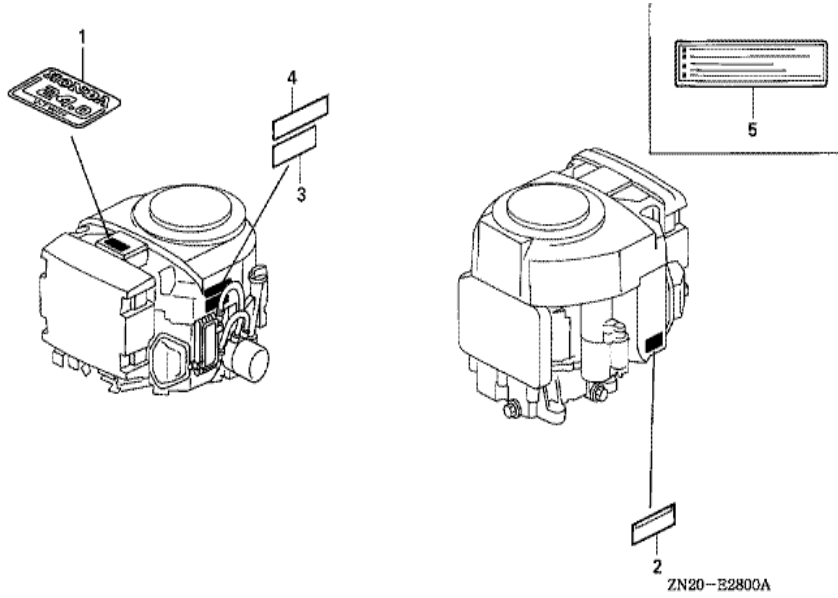


| <u>Ref</u> | <u>Partnumber</u> | <u>Description</u>            | <u>GXV670</u> | <u>Serial Numbers</u> |         |
|------------|-------------------|-------------------------------|---------------|-----------------------|---------|
| 001        | 16263-883-W10     | JOINT, ROD                    | 1             |                       |         |
| 002        | 16500-ZJ4-830     | CONTROL ASSY.                 | 1             |                       |         |
| 003        | 16534-ZN1-000     | SPRING, STARTER               | 1             | 1020777               | 1020883 |
| 003        | 16534-ZN1-010     | SPRING, STARTER               | 1             | 1020884               |         |
| 003        | 16534-ZN2-000     | SPRING, STARTER               | 1             |                       | 1020776 |
| 004        | 16551-ZJ1-840     | ARM, GOVERNOR                 | 1             |                       |         |
| 005        | 16555-ZN2-000     | ROD, GOVERNOR                 | 1             |                       |         |
| 006        | 16561-ZJ4-830     | SPRING, GOVERNOR              | 1             |                       |         |
| 007        | 16562-ZN2-010     | SPRING, THROTTLE RETURN       | 1             | 1000599               |         |
| 008        | 16576-891-000     | HOLDER, CABLE                 | 2             |                       |         |
| 009        | 16584-883-300     | SPRING, CONTROL ADJUSTING     | 2             |                       |         |
| 010        | 16592-ZJ1-000     | SPRING, CABLE RETURN          | 2             |                       |         |
| 011        | 16599-ZG1-M10     | COLLAR, STOPPER               | 1             |                       |         |
| <u>Ref</u> | <u>Partnumber</u> | <u>Description</u>            | <u>GXV670</u> | <u>Serial Numbers</u> |         |
| 012        | 16611-ZN2-000     | ROD, CHOKE CONTROL            | 1             |                       |         |
| 013        | 90014-952-000     | BOLT, FLANGE, 6X14 (CT200)    | 2             |                       |         |
| 014        | 90015-ZE3-790     | BOLT, GOVERNOR ARM            | 1             |                       |         |
| 015        | 90016-ZJ4-U00     | SCREW, RECESSED, 5X28 (BLACK) | 1             |                       |         |
| 016        | 92301-050160A     | BOLT, RECESSED, 5X16          | 2             |                       |         |
| 017        | 92301-050250A     | BOLT, RECESSED, 5X25          | 1             |                       |         |
| 018        | 94050-06000       | NUT, FLANGE, 6MM              | 1             |                       |         |

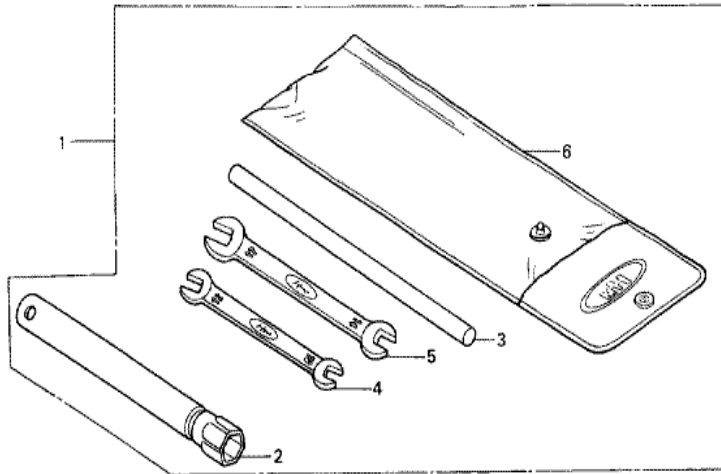


ZN20-E2400A

| Ref | Partnumber    | Description                | GXV670 | Serial Numbers |
|-----|---------------|----------------------------|--------|----------------|
| 001 | 11513-MN5-300 | COLLAR, 12MM               | 2      |                |
| 002 | 15605-ZN1-000 | COOLER ASSY., OIL          | 1      |                |
| 003 | 15610-ZN1-000 | COOLER COMP., OIL          | 1      |                |
| 004 | 15613-ZN1-000 | GRILLE, OIL COOLER         | 1      |                |
| 005 | 15614-ZN2-003 | HOSE A, OIL                | 1      |                |
| 006 | 15616-ZN1-003 | HOSE B, OIL                | 1      |                |
| 007 | 15617-ZN2-000 | CLAMP, PIPE (15.5X13)      | 1      |                |
| 008 | 15676-ZN1-000 | STAY, OIL COOLER           | 1      |                |
| 009 | 19051-KA3-830 | RUBBER, RADIATOR MOUNTING  | 2      |                |
| 010 | 90014-952-000 | BOLT, FLANGE, 6X14 (CT200) | 1      |                |
| 011 | 91314-ME5-003 | O-RING, 10X2.6 (ARAI)      | 2      |                |
| 012 | 95701-0602200 | BOLT, FLANGE, 6X22         | 6      |                |

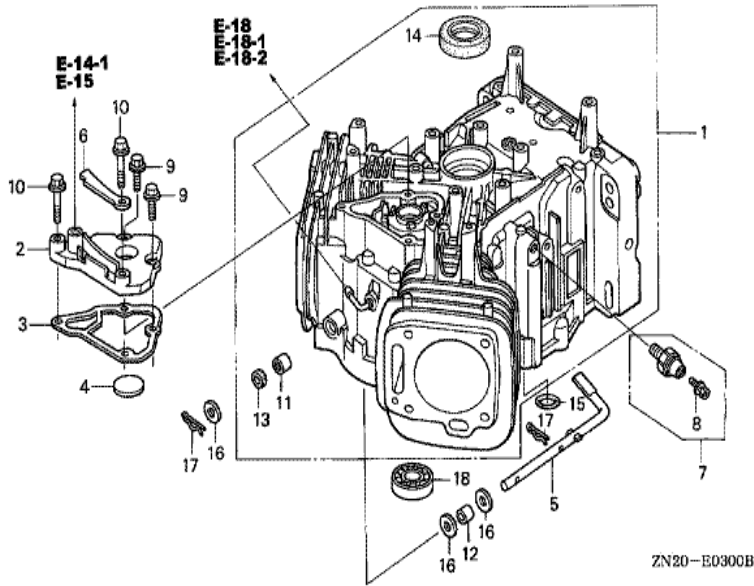


| Ref | Partnumber    | Description                   | GXV670 | Serial Numbers |
|-----|---------------|-------------------------------|--------|----------------|
| 001 | 87101-ZN1-010 | EMBLEM (24.0)                 | 1      | 1003896        |
| 002 | 87152-ZN2-010 | LABEL, SPECIFICATION (GXV670) | 1      |                |
| 003 | 87516-YF3-660 | MARK, OPERATOR CAUTION        | 1      |                |

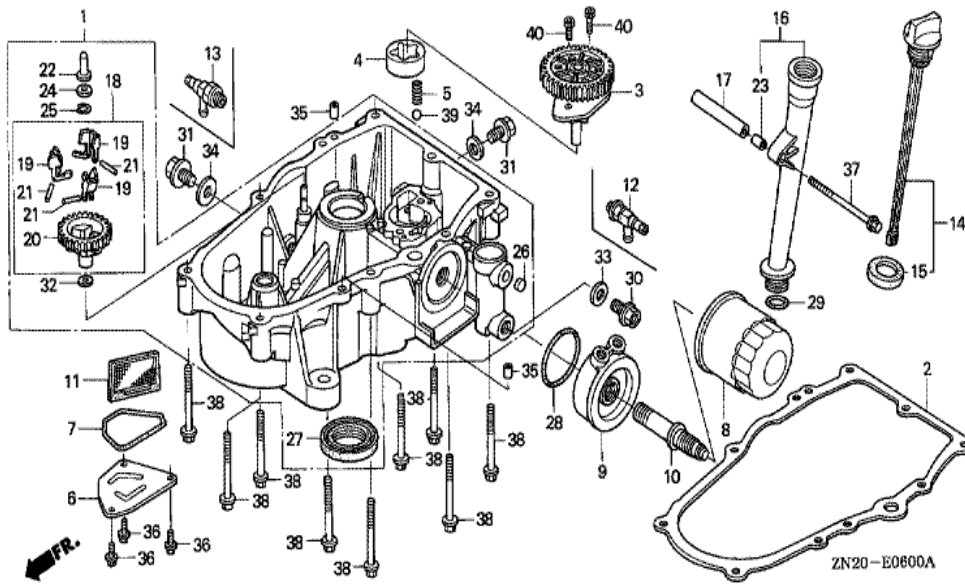


ZN20-E2900B

| Ref | Partnumber    | Description              | GXV670 | Serial Numbers |
|-----|---------------|--------------------------|--------|----------------|
| 001 | 89000-ZE1-000 | TOOL KIT                 | (1)    |                |
| 002 | 89218-ZE1-000 | WRENCH COMP., SPARK PLUG | (1)    |                |
| 003 | 89219-805-000 | HANDLE, BOX WRENCH       | (1)    |                |
| 004 | 99001-10120   | SPANNER, 10X12           | (1)    |                |
| 005 | 99001-14170   | SPANNER, 14X17           | (1)    |                |
| 006 | 99008-02300   | BAG, TOOL, 230MM         | (1)    |                |

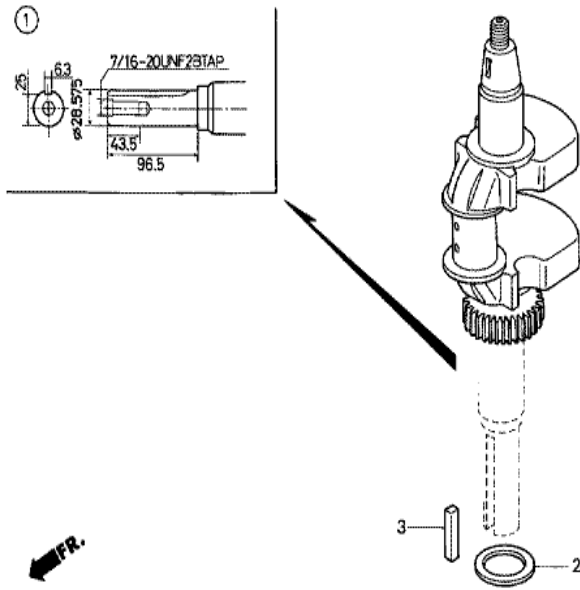


| Ref        | Partnumber        | Description                  | GXV670        | Serial Numbers        |
|------------|-------------------|------------------------------|---------------|-----------------------|
| 001        | 12000-ZN2-405     | BARREL ASSY., CYLINDER       | 1             | 1003908               |
| 002        | 12356-ZJ1-000     | COVER, BREATHER              | 1             |                       |
| 003        | 12358-ZJ1-000     | PACKING, BREATHER COVER      | 1             |                       |
| 004        | 12372-ZE2-300     | VALVE, BREATHER              | 1             |                       |
| 005        | 16541-ZJ1-840     | SHAFT, GOVERNOR ARM          | 1             |                       |
| 006        | 31511-ZJ1-000     | CLAMPER, CORD                | 1             |                       |
| 007        | 37240-ZG3-E01     | SWITCH, OIL PRESSURE         | 1             | 1020315               |
| 007        | 37240-ZG5-004     | SWITCH, OIL PRESSURE         | 1             | 1020316               |
| 008        | 90002-ZG5-004     | SCREW-WASHER, 4X8            | 1             |                       |
| 009        | 90029-888-000     | BOLT, FLANGE, 6X16 (CT200)   | 2             |                       |
| 010        | 90031-ZE1-000     | BOLT, FLANGE, 6X32           | 2             |                       |
| 011        | 91001-ZJ1-841     | BEARING, NEEDLE, 8X12.7X11.1 | 1             |                       |
| 012        | 91002-ZJ1-841     | BEARING, NEEDLE, 8X12X10     | 1             |                       |
| <u>Ref</u> | <u>Partnumber</u> | <u>Description</u>           | <u>GXV670</u> | <u>Serial Numbers</u> |
| 013        | 91201-ZE9-003     | OIL SEAL, 8X14X5             | 1             |                       |
| 014        | 91201-ZJ1-841     | OIL SEAL, 38X58X9            | 1             |                       |
| 015        | 91302-MB6-830     | O-RING, 13X3.0               | 1             |                       |
| 016        | 94102-08800       | WASHER, PLAIN, 8MM           | 3             |                       |
| 017        | 94251-08000       | PIN, LOCK, 8MM               | 2             |                       |
| 018        | 96140-6003010     | BEARING, RADIAL BALL, 6003   | 1             |                       |



| Ref | Partnumber    | Description                       | GXV670 | Serial Numbers |
|-----|---------------|-----------------------------------|--------|----------------|
| 001 | 11300-ZJ4-831 | PAN ASSY., OIL                    | 1      | 1002554        |
| 002 | 11381-ZJ1-840 | GASKET, CASE COVER                | 1      |                |
| 003 | 15120-ZJ1-000 | COVER ASSY., OIL PUMP (TWO BOLTS) | 1      |                |
| 004 | 15124-ZJ1-003 | ROTOR, OIL PUMP OUTER             | 1      |                |
| 005 | 15232-ZJ1-000 | SPRING, RELIEF VALVE              | 1      |                |
| 006 | 15334-ZJ4-000 | PLATE, OIL FILTER                 | 1      |                |
| 007 | 15339-ZJ4-000 | O-RING, OIL PLATE                 | 1      |                |
| 008 | 15400-ZJ1-004 | CARTRIDGE, OIL FILTER (TOYO ROKI) | 1      |                |
| 009 | 15411-ZN2-000 | BASE, OIL FILTER                  | 1      |                |
| 010 | 15424-ZN2-000 | BOLT, OIL FILTER                  | 1      |                |
| 011 | 15427-ZG8-000 | SCREEN, OIL FILTER                | 1      |                |
| 012 | 15558-ZJ1-003 | VALVE, OIL SHUT-OFF               | (1)    |                |
| 013 | 15558-772-010 | VALVE, OIL SHUT-OFF               | (1)    |                |

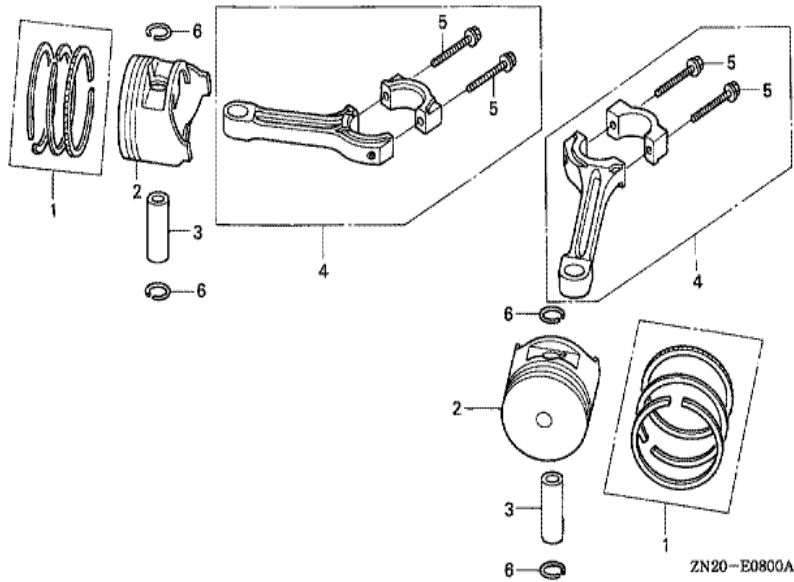
| <u>Ref</u> | <u>Partnumber</u> | <u>Description</u>       | <u>GXV670</u> | <u>Serial Numbers</u> |
|------------|-------------------|--------------------------|---------------|-----------------------|
| 014        | 15600-ZJ4-000     | CAP ASSY, OIL FILLER     | 1             |                       |
| 015        | 15625-ZE8-000     | PACKING, OIL FILLER CAP  | 1             |                       |
| 016        | 15630-ZE8-000     | EXTENSION, OIL FILLER    | 1             |                       |
| 017        | 15637-ZJ4-830     | COLLAR, FILLER SETTING   | 1             |                       |
| 018        | 16510-ZJ1-840     | GOVERNOR ASSY.           | 1             |                       |
| 019        | 16511-ZJ1-840     | WEIGHT, GOVERNOR         | 3             |                       |
| 020        | 16512-ZJ1-840     | HOLDER, GOVERNOR WEIGHT  | 1             |                       |
| 021        | 16513-ZE2-000     | PIN, GOVERNOR WEIGHT     | 3             |                       |
| 022        | 16531-Z0A-000     | SLIDER, GOVERNOR         | 1             | 1002554               |
| 023        | 17240-ZE6-000     | COLLAR, EXTENSION        | 1             |                       |
| 024        | 90473-147-000     | WASHER, 6X16             | 1             |                       |
| 025        | 90602-ZE1-000     | CLIP, GOVERNOR HOLDER    | 1             |                       |
| 026        | 90855-921-300     | PLUG, SEALING, 10MM      | 1             |                       |
| 027        | 91202-ZJ1-841     | OIL SEAL, 38X58X9        | 1             |                       |
| 028        | 91301-MG8-003     | O-RING, 51X2.3 (ARAI)    | 1             |                       |
| 029        | 91301-ZE9-003     | O-RING, 22.1X2.2         | 1             |                       |
| 030        | 92800-14000       | BOLT, DRAIN PLUG, 14MM   | 1             |                       |
| 031        | 92800-20000       | BOLT, DRAIN PLUG, 20MM   | 2             |                       |
| 032        | 94101-06800       | WASHER, PLAIN, 6MM       | 1             |                       |
| 033        | 94109-14000       | WASHER, DRAIN PLUG, 14MM | 1             |                       |
| 034        | 94109-20000       | WASHER, DRAIN PLUG, 20MM | 2             |                       |
| 035        | 94301-08140       | DOWEL PIN, 8X14          | 2             |                       |
| 036        | 95701-0601400     | BOLT, FLANGE, 6X14       | 3             |                       |
| 037        | 95701-0610000     | BOLT, FLANGE, 6X100      | 1             |                       |
| 038        | 95701-0805000     | BOLT, FLANGE, 8X50       | 9             |                       |
| 039        | 96211-12000       | BALL, STEEL, #12 (3/8)   | 1             |                       |
| 040        | 96600-0601600     | BOLT, SOCKET, 6X16       | 2             |                       |



ZN20-B0700A

| Ref | Partnumber    | Description                               | GXV670 | Serial Numbers |
|-----|---------------|---|--------|----------------|
| 001 | 13310-ZN2-000 | CRANKSHAFT COMP.                          | 1      |                |
| 002 | 90401-ZJ1-000 | WASHER, CRANKSHAFT THRUST (38.5X54.0X1.0) | 1      |                |





| Ref | Partnumber    | Description                      | GXV670 | Serial Numbers |
|-----|---------------|----------------------------------|--------|----------------|
| 001 | 13010-ZJ1-841 | RING SET, PISTON (STD.) (NIPPON) | 2      |                |
| 001 | 13011-ZJ1-841 | RING SET, PISTON (0.25) (NIPPON) | (2)    |                |
| 001 | 13012-ZJ1-841 | RING SET, PISTON (0.50) (NIPPON) | (2)    |                |
| 001 | 13013-ZJ1-841 | RING SET, PISTON (0.75) (NIPPON) | (2)    |                |
| 002 | 13101-ZN1-000 | PISTON (STD.)                    | 2      |                |
| 002 | 13102-ZN1-000 | PISTON (0.25)                    | (2)    |                |
| 002 | 13103-ZN1-000 | PISTON (0.50)                    | (2)    |                |
| 002 | 13104-ZN1-000 | PISTON (0.75)                    | (2)    |                |
| 003 | 13111-ZJ1-840 | PIN, PISTON                      | 2      |                |
| 004 | 13200-ZN1-003 | ROD ASSY., CONNECTING            | 2      |                |
| 005 | 90001-ZN1-000 | BOLT, CONNECTING ROD, 6X37       | 4      |                |
| 006 | 90551-ZE1-000 | CLIP, PISTON PIN, 18MM           | 4      |                |

