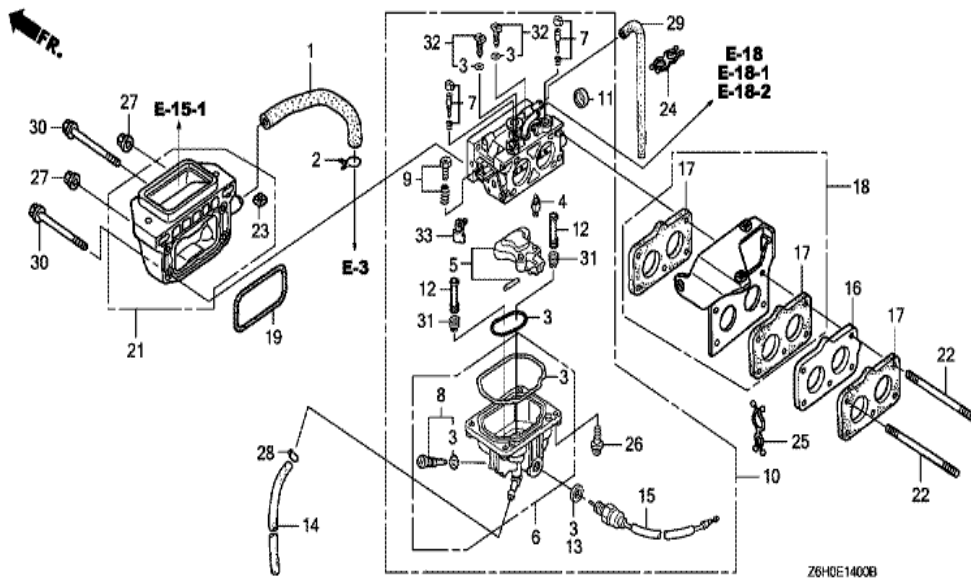
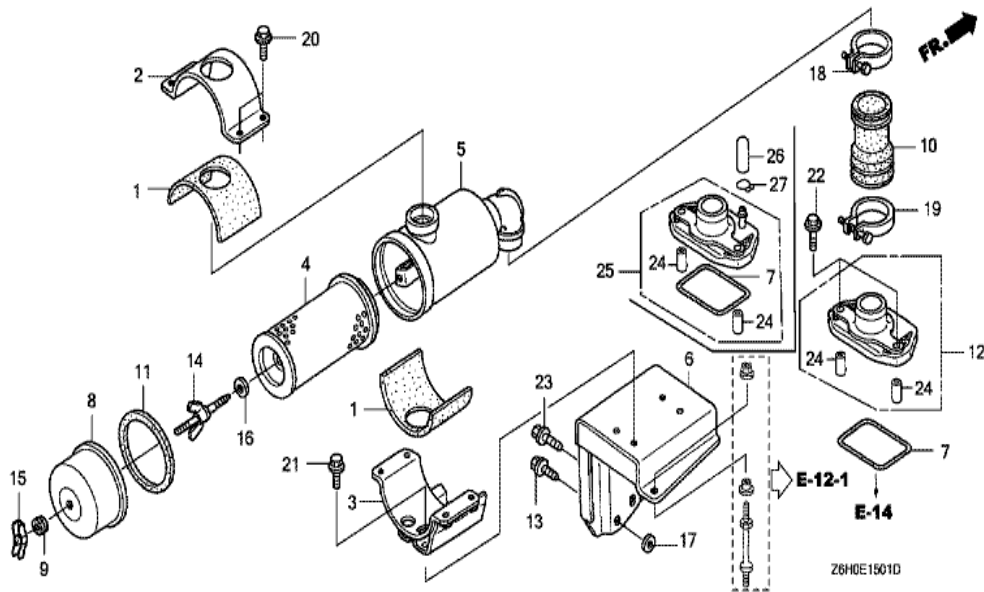


Ref	Partnumber	Description	GXV670U	Serial Numbers
001	16715-ZJ1-840	COVER, FUEL PUMP	1	
003	16722-ZN2-000	COVER, FUEL PUMP	1	
004	19611-ZJ1-850ZC	COVER, FAN (RECOIL STARTER) *R280 *	1	
004	19611-ZJ1-850ZC	COVER, FAN (RECOIL STARTER) *R280 *	1	
005	19612-ZJ1-841	PLATE, SIDE	1	
006	19614-ZJ1-841	PLATE, SIDE	1	
007	19621-ZJ1-801ZC	PROTECTOR, FAN COVER *R280 *	1	
007	19621-ZJ1-801ZC	PROTECTOR, FAN COVER *R280 *	1	
008	19631-ZJ1-840	SHROUD	1	
009	19632-ZN1-010	SHROUD	1	
010	30588-898-000	CLAMP, HIGH TENSION TUBE	1	
011	33713-GC2-000	COLLAR B, TAILLIGHT	6	
012	35806-752-630	BASE, CLIP	1	
<u>Ref</u>	<u>Partnumber</u>	<u>Description</u>	<u>GXV670U</u>	<u>Serial Numbers</u>
013	90013-883-000	BOLT, FLANGE, 6X12 (CT200)	9	
014	90018-ZE1-000	BOLT, FLANGE, 6X23 (CT200)	2	
015	90042-ZJ1-840	BOLT, STUD, 6X71	4	
016	90313-ZJ1-840	NUT, SQUARE, 5MM	2	
017	90545-044-000	WASHER, CRANK ARM	3	
018	93891-0501208	SCREW-WASHER, 5X12	2	
019	93913-25580	SCREW, TAPPING, 5X20	2	
020	94050-06000	NUT, FLANGE, 6MM	4	
021	95701-0600800	BOLT, FLANGE, 6X8	2	
022	95701-0601200	BOLT, FLANGE, 6X12	1	

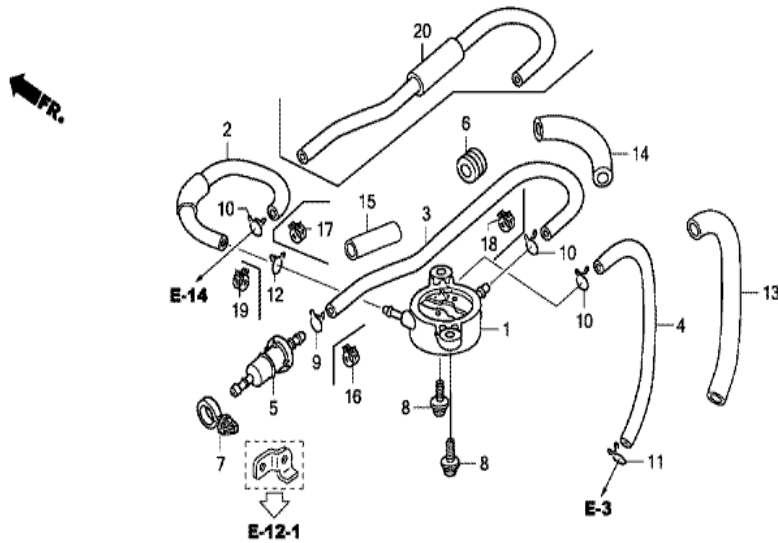


Ref	Partnumber	Description	GXV670U	Serial Numbers
001	12357-ZN2-000	TUBE, BREATHER	1	
002	15772-551-000	CLIP, BREATHER TUBE	1	
003	16010-ZN1-801	GASKET SET	1	
004	16011-ZN1-801	VALVE SET, FLOAT	1	
005	16013-ZN1-801	FLOAT SET	1	
006	16015-ZN1-801	CHAMBER SET, FLOAT	1	
007	16016-ZN1-801	SCREW SET, PILOT	2	
007	16016-ZN1-801	SCREW SET, PILOT	2	
008	16024-124-760	SCREW SET, DRAIN	1	
009	16028-ZN1-801	SCREW SET, THROTTLE	1	
010	16100-ZN2-811	CARBURETOR ASSY. (BK02B A)	1	
010	16100-ZN2-811	CARBURETOR ASSY. (BK02B A)	1	
011	16148-141-881	CAP, CHOKE DUST	1	

<u>Ref</u>	<u>Partnumber</u>	<u>Description</u>	<u>GXV670U</u>	<u>Serial Numbers</u>
012	16166-ZN2-801	NOZZLE, MAIN	2	
013	16178-ZN1-801	WASHER, PLAIN	1	
014	16198-ZJ1-840	TUBE, DRAIN	1	
015	16200-ZN1-801	VALVE ASSY., SOLENOID (KEIHIN)	1	
016	16211-ZN1-000	INSULATOR, CARBURETOR	1	
017	16221-ZN1-000	PACKING, CARBURETOR	2	
017	16221-ZN1-000	PACKING, CARBURETOR	3	
018	16710-ZN2-000	STAY COMP., FUEL PUMP	1	
019	17228-ZN1-000	PACKING, AIR CLEANER	1	
021	17410-ZN2-000	ELBOW COMP., AIR CLEANER	1	
022	90041-ZG8-000	BOLT, STUD, 6X113	2	
022	90041-ZG8-000	BOLT, STUD, 6X113	2	
023	90314-ZJ1-840	NUT, INSERT, 6MM	2	
024	90658-SA0-003	CLIP, WIRE HARNESS	1	
025	91402-ZJ1-841	CLIP, PURSE LOCK	1	
026	93500-040121H	SCREW, PAN, 4X12	4	
027	94050-06000	NUT, FLANGE, 6MM	2	
028	95002-02080	CLIP, TUBE (B8)	1	
029	95005-4554020	TUBE, 4.5X540 (95005-45001-20M)	1	
030	95701-0611500	BOLT, FLANGE, 6X115	2	
030	95701-0611500	BOLT, FLANGE, 6X115	2	
031	99101-ZH80900	JET, MAIN, #90	(2)	
031	99101-ZH80920	JET, MAIN, #92	(2)	BK02C A
031	99101-ZH80920	JET, MAIN, #92	(2)	
031	99101-ZH80950	JET, MAIN, #95	2	BK02C A
031	99101-ZH80950	JET, MAIN, #95	2	
032	99204-ZE20400	JET SET, PILOT, #40	2	
032	99204-ZE20400	JET SET, PILOT, #40	2	
033	16126-ZJ1-841	ARM, THROTTLE LINKAGE	1	

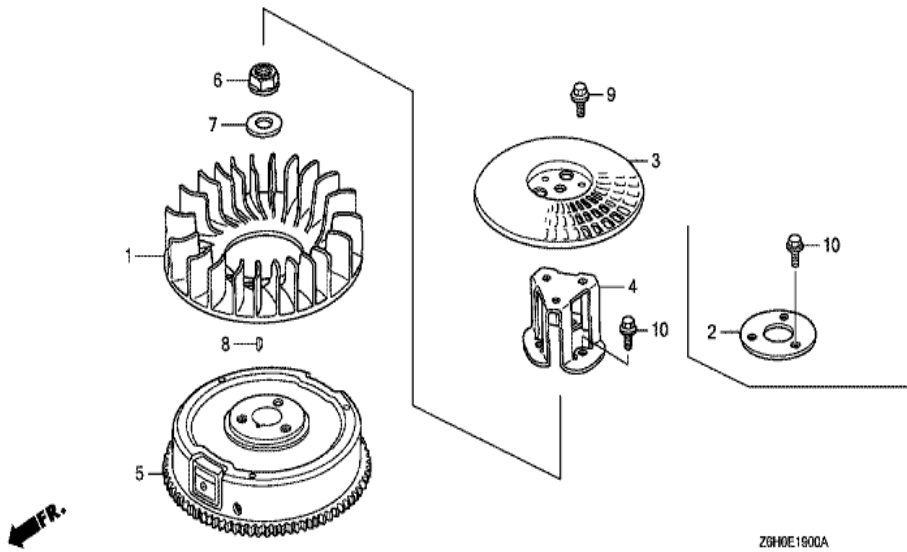


<u>Ref</u>	<u>Partnumber</u>	<u>Description</u>	<u>GXV670U</u>	<u>Serial Numbers</u>
001	17207-ZJ1-840	RUBBER, AIR CLEANER HOLDER UPPER	2	
002	17208-ZJ1-840	HOLDER COMP., AIR CLEANER UPPER	1	
003	17209-ZJ1-840	HOLDER COMP., AIR CLEANER LOWER	1	
004	17210-759-013	ELEMENT COMP., AIR CLEANER	1	
005	17220-ZN2-810	CASE COMP., AIR CLEANER	1	
006	17222-ZN2-000	STAY COMP., AIR CLEANER	1	
007	17229-ZN1-000	SEAL, AIR CLEANER CASE	1	
008	17230-759-003	COVER COMP., AIR CLEANER	1	
009	17232-891-000	GROMMET, AIR CLEANER	1	
010	17251-ZN2-000	TUBE, AIR CLEANER CONNECTING	1	
011	17253-759-003	SEAL, AIR CLEANER	1	
012	17418-ZN1-000	JOINT B, CONNECTING TUBE	1	1002340
012	17418-ZN1-000	JOINT B, CONNECTING TUBE		1002341
<u>Ref</u>	<u>Partnumber</u>	<u>Description</u>	<u>GXV670U</u>	<u>Serial Numbers</u>
013	90017-ZN2-U00	BOLT, FLANGE, 6X18 (CT200)	1	
014	90113-759-003	BOLT, AIR CLEANER	1	
015	90203-ZA0-800	NUT, WING, 6MM (BLACK)	1	
016	90502-759-003	WASHER, AIR CLEANER	1	
017	91552-763-A00	COLLAR, SEAT	1	
018	95018-52250	BAND, AIR CLEANER CONNECTING TUBE (52)	1	
019	95018-58250	BAND, AIR CLEANER CONNECTING TUBE (58)	1	
020	95701-0601200	BOLT, FLANGE, 6X12	4	
021	95701-0601600	BOLT, FLANGE, 6X16	4	
022	95701-0602800	BOLT, FLANGE, 6X28	2	
023	95701-0801600	BOLT, FLANGE, 8X16	1	
024	17238-ZJ4-830	COLLAR A, AIR CLEANER	2	
025	17415-Z6G-000	JOINT B, CONNECTING TUBE	1	
025	17415-Z6G-000	JOINT B, CONNECTING TUBE	1	1002341



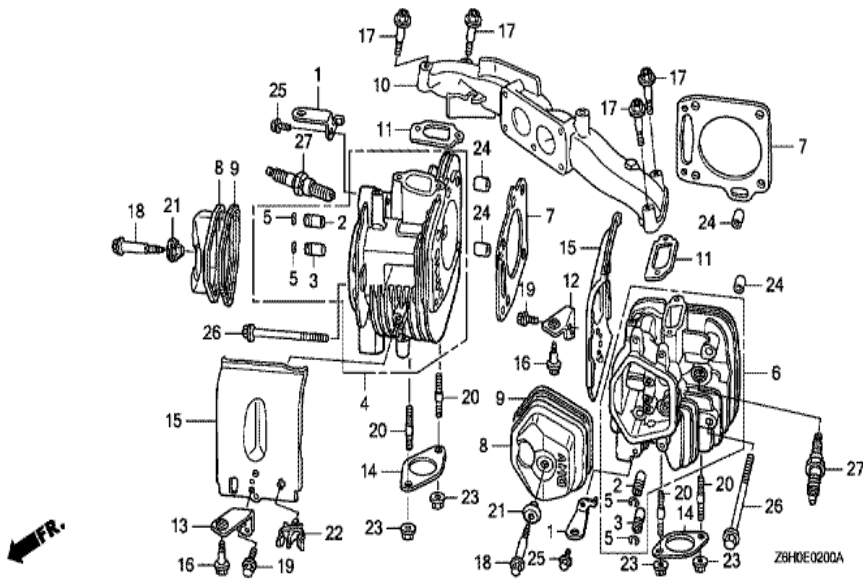
Ref	Partnumber	Description	GXV670U	Serial Numbers
001	16700-ZL8-013	PUMP ASSY., FUEL	1	
002	16850-Z6H-U10	TUBE COMP., FUEL (FKM)	1	1000391 1001940
002	16850-Z6H-U10	TUBE COMP., FUEL (FKM)	1	1000391 1001940
002	16850-Z6H-U11	TUBE COMP., FUEL (FKM)	1	1001941 1002512
002	16850-Z6H-U12	TUBE COMP., FUEL (FKM)	1	1002513
002	16850-ZN2-U10	TUBE COMP., FUEL	1	1000390
002	16850-ZN2-U10	TUBE COMP., FUEL	1	1000390
003	16852-Z6H-003	TUBE B, FUEL (FKM)	1	1000391 1001940
003	16852-Z6H-003	TUBE B, FUEL (FKM)	1	1000391 1001940
003	16852-ZN2-000	TUBE B, FUEL	1	1000390
003	16852-ZN2-000	TUBE B, FUEL	1	1000390
004	16882-ZJ1-840	TUBE, DIAPHRAGM	1	
005	16910-ZE8-015	STRAINER COMP., FUEL	1	

<u>Ref</u>	<u>Partnumber</u>	<u>Description</u>	<u>GXV670U</u>	<u>Serial Numbers</u>
006	19111-MF5-000	GROMMET, RESERVE TANK	1	
007	90617-SAO-003	CLIP, WIRE HARNESS	1	
008	93894-0601600	SCREW-WASHER, 6X16	2	
009	95002-02080	CLIP, TUBE (B8)	1	1000390
010	95002-02100	CLIP, TUBE (B10)	1	
010	95002-02100	CLIP, TUBE (B10)	1	1000391
010	95002-02100	CLIP, TUBE (B10)	3	1000390
011	95002-02080	CLIP, TUBE (B8)	1	1000353
011	95002-50000	CLIP, TUBE (C9)	1	1000352
011	95002-50000	CLIP, TUBE (C9)	1	1000352
012	95002-70000	CLIP, TUBE (C11)	1	1000390
013	95003-2501520	TUBE, VINYL, 9X11X150 (95003-25001-10M)	1	
014	95003-3600520	TUBE, VINYL, 11X13X50 (95003-36001-10M)	1	
015	95003-3600320	TUBE, VINYL, 11X13X30 (95003-36001-10M)	1	
016	95002-4080008	CLAMP, TUBE (D8)	1	
016	95002-4080008	CLAMP, TUBE (D8)	1	1000391
017	95002-4100008	CLAMP, TUBE (D10)	1	
017	95002-4100008	CLAMP, TUBE (D10)	1	1000391
018	95002-4085008	CLAMP, TUBE (D8.5)	1	1000391
019	95002-4100008	CLAMP, TUBE (D10)	1	1001941
019	95002-4105008	CLAMP, TUBE (D10.5)	1	1000391 1001940
019	95002-4105008	CLAMP, TUBE (D10.5)	1	1000391 1001940
020	16855-Z6H-003	TUBE COMP. B, FUEL (FKM)	1	1002625
020	16855-Z6H-003	TUBE COMP. B, FUEL (FKM)	1	1001941 1002625
020	16855-Z6H-013	TUBE COMP. B, FUEL (FKM)	1	1002626
020	16855-Z6H-013	TUBE COMP. B, FUEL (FKM)	1	1002626



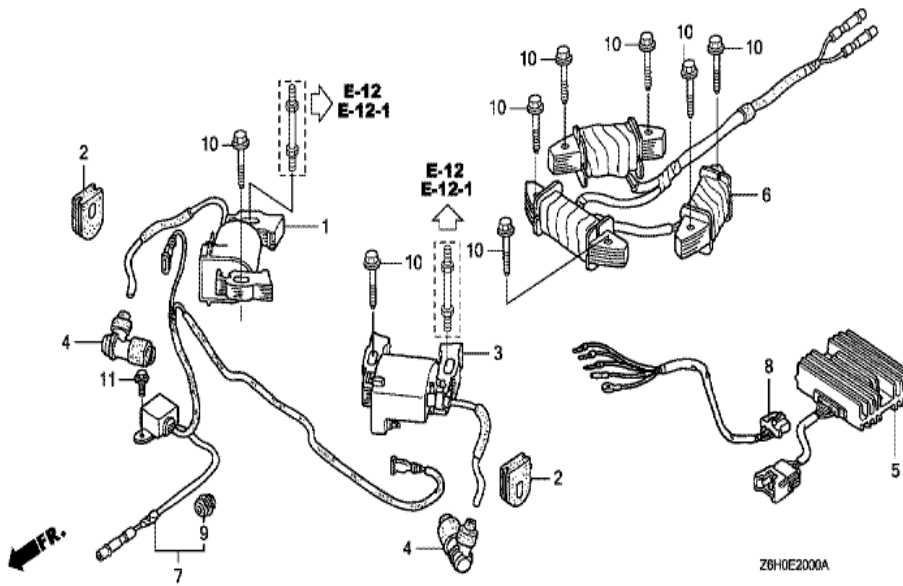
ZGH0E1900A

Ref	Partnumber	Description	GXV670U	Serial Numbers
001	19511-ZJ1-000	FAN, COOLING	1	
003	28452-ZJ1-801	GRID, SCREEN	1	
004	28454-ZJ1-801	HOLDER, SCREEN GRID	1	
005	31110-ZJ1-840	FLYWHEEL COMP.	1	
006	90201-ZG3-000	NUT, FLANGE, 20MM	1	
007	90401-ZG3-000	WASHER, 20MM	1	
008	90741-ZE2-000	KEY, SPECIAL WOODRUFF, 25X18	1	
009	95701-0601200	BOLT, FLANGE, 6X12	3	
010	95701-0801600	BOLT, FLANGE, 8X16	3	

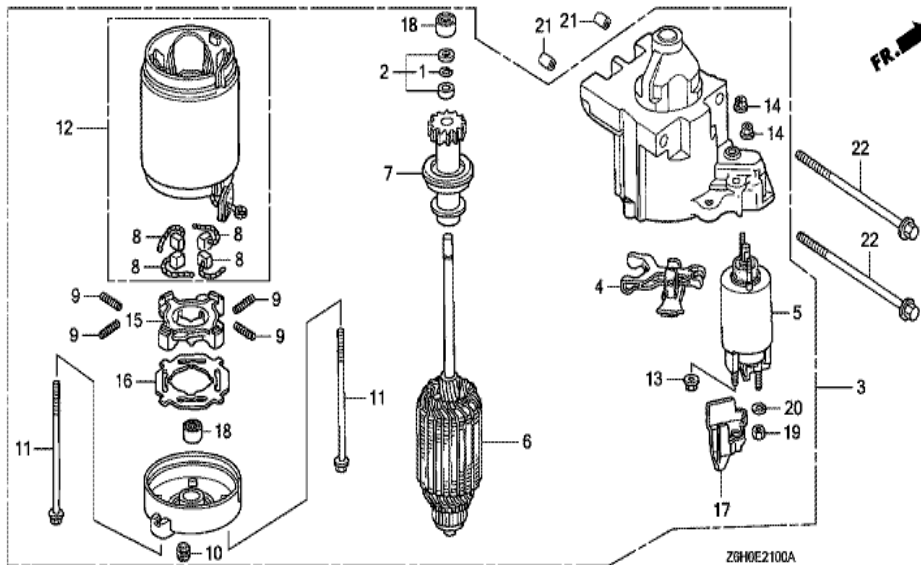


Ref	Partnumber	Description	GXV670U	Serial Numbers
001	11911-ZJ1-840	HANGER, ENGINE	2	
002	12204-ZE2-306	GUIDE, IN. VALVE (O.S.)	2	
003	12205-ZJ1-405	GUIDE, EX. VALVE (O.S.)	2	
004	12210-ZJ1-406	HEAD COMP., CYLINDER (#1)	1	
005	12216-ZE2-300	CLIP, VALVE GUIDE	4	
006	12220-ZJ1-405	HEAD COMP., CYLINDER (#2)	1	
007	12251-ZJ1-841	GASKET, CYLINDER HEAD	2	
008	12311-ZJ1-840	COVER, HEAD	2	
009	12391-ZE2-020	PACKING, HEAD COVER	2	
010	17101-ZN1-000	MANIFOLD, INTAKE	1	
011	17151-ZJ1-841	GASKET, INTAKE MANIFOLD	2	
014	18333-ZE3-800	GASKET, EX. PIPE	2	
015	19682-ZJ1-840	SHROUD, HEAD	2	

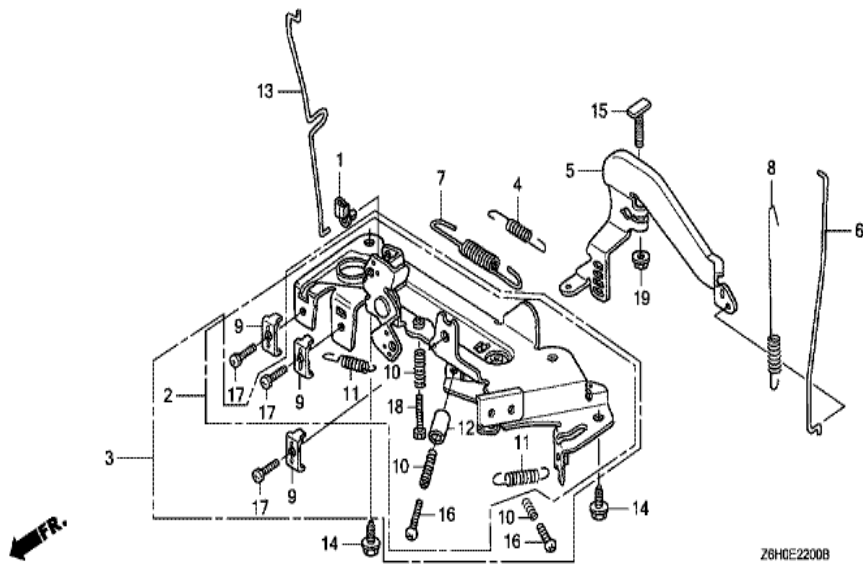
<u>Ref</u>	<u>Partnumber</u>	<u>Description</u>	<u>GXV670U</u>	<u>Serial Numbers</u>
017	90011-ZJ1-841	BOLT, SOCKET, 8X45	4	
018	90014-ZE2-000	BOLT, HEAD COVER	2	
019	90014-952-000	BOLT, FLANGE, 6X14 (CT200)	2	
020	90018-ZJ1-840	BOLT, STUD, 8X22	4	
021	90441-ZE2-010	WASHER COMP., HEAD COVER	2	
022	90684-SB3-003	CLIP, FUEL TUBE	1	
023	94050-08000	NUT, FLANGE, 8MM	4	
024	94301-12200	DOWEL PIN, 12X20	4	
025	95701-0802000	BOLT, FLANGE, 8X20	2	
026	95701-1008000	BOLT, FLANGE, 10X80	8	
027	98079-52876	PLUG, SPARK (BPR2ES) (NGK)	(2)	
027	98079-5485V	PLUG, SPARK (J14CR-U) (DENSO)	(2)	
027	98079-5485V	PLUG, SPARK (J14CR-U) (DENSO)	(2)	
027	98079-5487V	PLUG, SPARK (ZGR4A)	(2)	
027	98079-5487V	PLUG, SPARK (ZGR4A)	(2)	
027	98079-5585V	PLUG, SPARK (J16CR-U) (DENSO)	2	
027	98079-5585V	PLUG, SPARK (J16CR-U) (DENSO)	2	
027	98079-5587V	PLUG, SPARK (ZGR5A)	2	
027	98079-5587V	PLUG, SPARK (ZGR5A)	2	



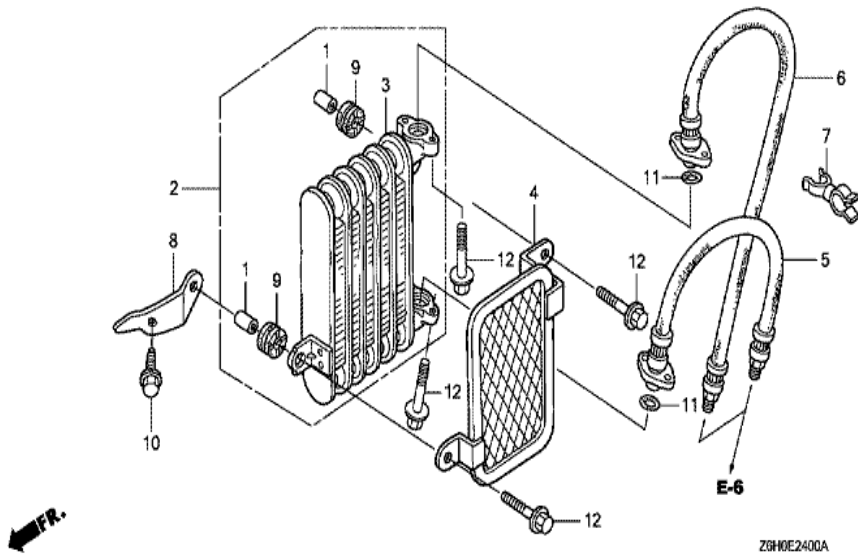
<u>Ref</u>	<u>Partnumber</u>	<u>Description</u>	<u>GXV670U</u>	<u>Serial Numbers</u>
001	30500-ZJ1-844	COIL ASSY., IGNITION (BLACK) (200MM)	1	1001548
001	30500-ZJ1-845	COIL ASSY., IGNITION (BLACK) (200MM)	1	
001	30500-ZJ1-845	COIL ASSY., IGNITION (BLACK) (200MM)	1	1001549
002	30518-ZJ1-000	GROMMET, HIGH TENSION CORD	2	
003	30550-ZJ1-844	COIL ASSY., IGNITION (GRAY) (215MM)	1	1001548
003	30550-ZJ1-845	COIL ASSY., IGNITION (GRAY) (215MM)	1	
003	30550-ZJ1-845	COIL ASSY., IGNITION (GRAY) (215MM)	1	1001549
004	30700-ZJ1-841	CAP ASSY., NOISE SUPPRESSOR	2	
005	31620-ZG5-013	RECTIFIER ASSY., REGULATOR (20A)	1	1001388
005	31620-ZG5-023	RECTIFIER ASSY., REGULATOR (20A)	1	1001389 1002068
005	31620-ZG5-033	RECTIFIER ASSY., REGULATOR (20A)	1	
005	31620-ZG5-033	RECTIFIER ASSY., REGULATOR (20A)	1	1002069
006	31630-ZJ1-801	COIL ASSY., CHARGE (12V/20A)	1	1001548
<u>Ref</u>	<u>Partnumber</u>	<u>Description</u>	<u>GXV670U</u>	<u>Serial Numbers</u>
006	31630-ZJ1-802	COIL ASSY., CHARGE (12V/20A)	1	
006	31630-ZJ1-802	COIL ASSY., CHARGE (12V/20A)	1	1001549
007	31740-ZJ1-861	DIODE ASSY., ENGINE STOP	1	1001724
007	31740-ZJ1-862	DIODE ASSY., ENGINE STOP	1	
007	31740-ZJ1-862	DIODE ASSY., ENGINE STOP	1	1001725
008	32105-ZJ1-800	HARNESS ASSY., SUB WIRE	1	
009	63312-ZA7-000	GROMMET, TOOL	1	
010	90031-ZE1-000	BOLT, FLANGE, 6X32	8	
011	95701-0600800	BOLT, FLANGE, 6X8	1	



Ref	Partnumber	Description	GXV670U	Serial Numbers
001	30201-PH9-004	RING, SNAP (DENSO)	1	
002	30202-PZ1-003	COLLAR SET, CLUTCH STOP	1	
003	31200-ZJ4-831	MOTOR ASSY., STARTER	1	1002068
003	31200-ZJ4-832	MOTOR ASSY., STARTER	1	
003	31200-ZJ4-832	MOTOR ASSY., STARTER	1	1002069
004	31203-PH9-004	LEVER, PINION DRIVE	1	
005	31204-ZJ1-H01	SWITCH ASSY., MAGNET	1	1002068
005	31204-ZJ1-H02	SWITCH ASSY., MAGNET	1	
005	31204-ZJ1-H02	SWITCH ASSY., MAGNET	1	1002069
006	31206-ZG4-801	ARMATURE COMP.	1	
007	31207-ZJ4-831	CLUTCH COMP., OVERRUNNING	1	
008	31211-PH9-004	BRUSH	4	
009	31212-PH9-004	SPRING, BRUSH	4	
Ref	Partnumber	Description	GXV670U	Serial Numbers
010	31213-679-004	COVER	1	
011	31214-PH9-004	BOLT, THROUGH	2	
012	31216-ZJ1-H01	YOKE COMP.	1	1002068
012	31218-P64-N01	YOKE COMP.	1	
012	31218-P64-N01	YOKE COMP.	1	1002069
013	31220-PH9-004	NUT, HEX., 8MM	1	
014	31223-PA0-006	NUT, HEX.	2	
015	31231-PH9-004	HOLDER, BRUSH	1	
016	31233-PH9-004	INSULATOR, BRUSH HOLDER	1	
017	31234-ZJ1-H01	COVER, TERMINAL	1	1002068
017	31234-ZJ1-H02	COVER, TERMINAL	1	
017	31234-ZJ1-H02	COVER, TERMINAL	1	1002069
018	91002-ZG4-801	BEARING A	2	
019	94001-082000S	NUT, HEX., 8MM	1	
020	94111-08000	WASHER, SPRING, 8MM	1	
021	94301-10120	DOWEL PIN, 10X12	2	
022	95701-0811000	BOLT, FLANGE, 8X110	2	

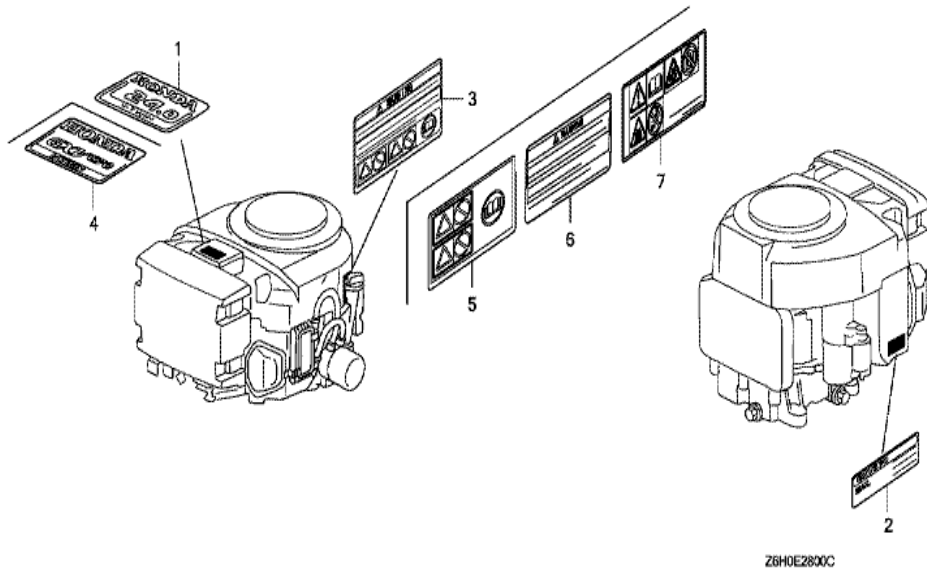


<u>Ref</u>	<u>Partnumber</u>	<u>Description</u>	<u>GXV670U</u>	<u>Serial Numbers</u>
001	16263-883-W10	JOINT, ROD	1	
002	16500-ZJ1-840	CONTROL ASSY.	1	
004	16534-ZN1-000	SPRING, STARTER	1	1000352
004	16534-ZN1-010	SPRING, STARTER	1	
004	16534-ZN1-010	SPRING, STARTER	1	1000353
005	16551-ZJ1-840	ARM, GOVERNOR	1	
006	16555-ZN2-000	ROD, GOVERNOR	1	
007	16561-ZJ4-830	SPRING, GOVERNOR	1	
007	16561-ZJ4-830	SPRING, GOVERNOR	1	
008	16562-ZN2-010	SPRING, THROTTLE RETURN	1	
009	16576-891-000	HOLDER, CABLE	2	
010	16584-883-300	SPRING, CONTROL ADJUSTING	2	
011	16592-ZJ1-000	SPRING, CABLE RETURN	2	
<u>Ref</u>	<u>Partnumber</u>	<u>Description</u>	<u>GXV670U</u>	<u>Serial Numbers</u>
013	16611-ZN2-000	ROD, CHOKE CONTROL	1	
014	90014-952-000	BOLT, FLANGE, 6X14 (CT200)	2	
015	90015-ZE3-790	BOLT, GOVERNOR ARM	1	
016	93500-050250A	SCREW, PAN, 5X25	1	
016	93500-050250A	SCREW, PAN, 5X25	1	
017	92301-050160A	BOLT, RECESSED, 5X16	2	
018	92301-050250A	BOLT, RECESSED, 5X25	1	
019	94050-06000	NUT, FLANGE, 6MM	1	

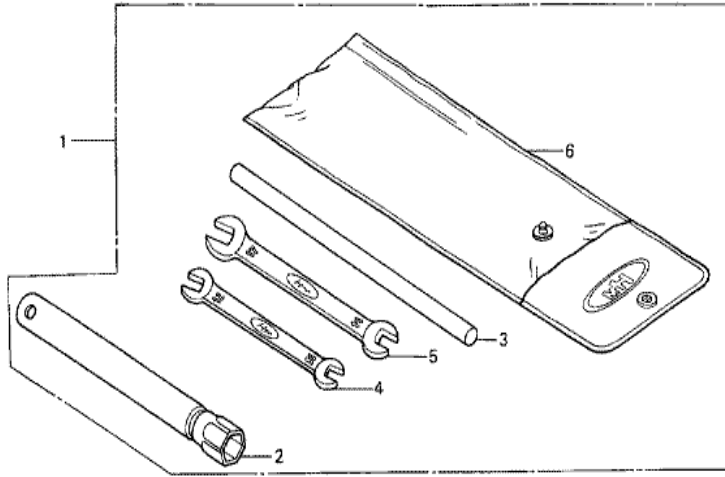


ZGH0E2400A

Ref	Partnumber	Description	GXV670U	Serial Numbers
001	11513-MN5-300	COLLAR, 12MM	2	
002	15605-ZN1-000	COOLER ASSY., OIL	1	
003	15610-ZN1-000	COOLER COMP., OIL	1	
004	15613-ZN1-000	GRILLE, OIL COOLER	1	
005	15614-ZN2-003	HOSE A, OIL	1	
006	15616-ZN1-003	HOSE B, OIL	1	
007	15617-ZN2-000	CLAMP, PIPE (15.5X13)	1	
008	15676-ZN1-000	STAY, OIL COOLER	1	
009	19051-KA3-830	RUBBER, RADIATOR MOUNTING	2	
010	90014-952-000	BOLT, FLANGE, 6X14 (CT200)	1	
011	91314-ME5-003	O-RING, 10X2.6 (ARAI)	2	
012	95701-0602200	BOLT, FLANGE, 6X22	6	

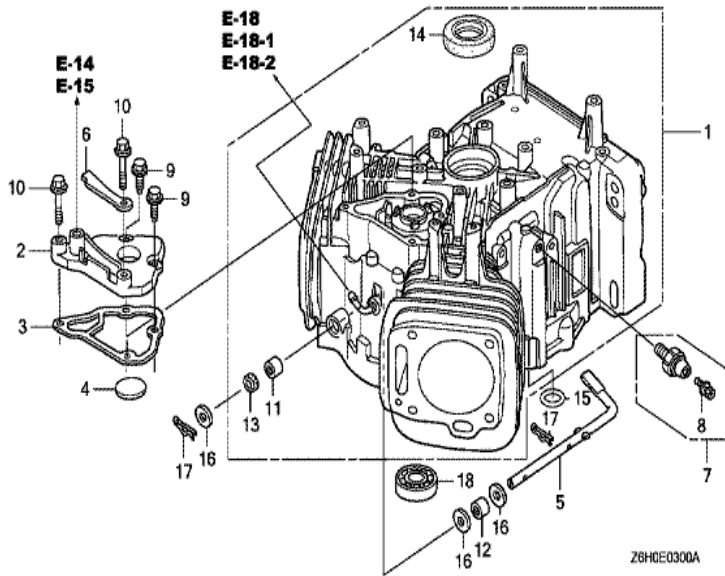


Ref	Partnumber	Description	GXV670U	Serial Numbers
001	87101-ZN1-010	EMBLEM (24.0)	1	1001548
002	87152-ZN2-010	LABEL, SPECIFICATION (GXV670)	1	
004	87101-Z6H-000	MARK, EMBLEM (GXV670)	1	
004	87101-Z6H-000	MARK, EMBLEM (GXV670)	1	1001549
005	87516-ZH7-810	MARK, OPERATOR CAUTION (PICTOGRAPH) (MAD)	(1)	1002722

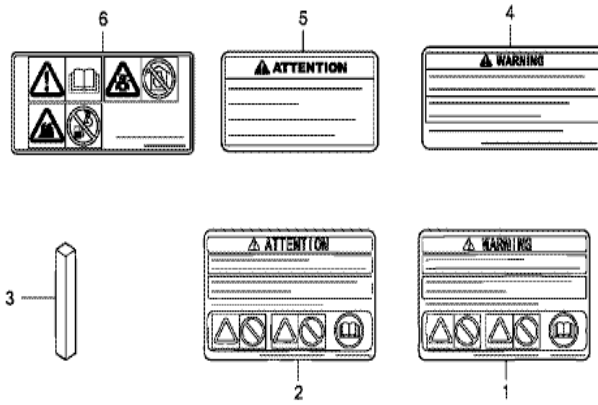


Z8H0-E2900

Ref	Partnumber	Description	GXV670U	Serial Numbers
001	89000-ZE1-000	TOOL KIT	(1)	
002	89218-ZE1-000	WRENCH COMP., SPARK PLUG	(1)	
003	89219-805-000	HANDLE, BOX WRENCH	(1)	
004	99001-10120	SPANNER, 10X12	(1)	
005	99001-14170	SPANNER, 14X17	(1)	
006	99008-02300	BAG, TOOL, 230MM	(1)	

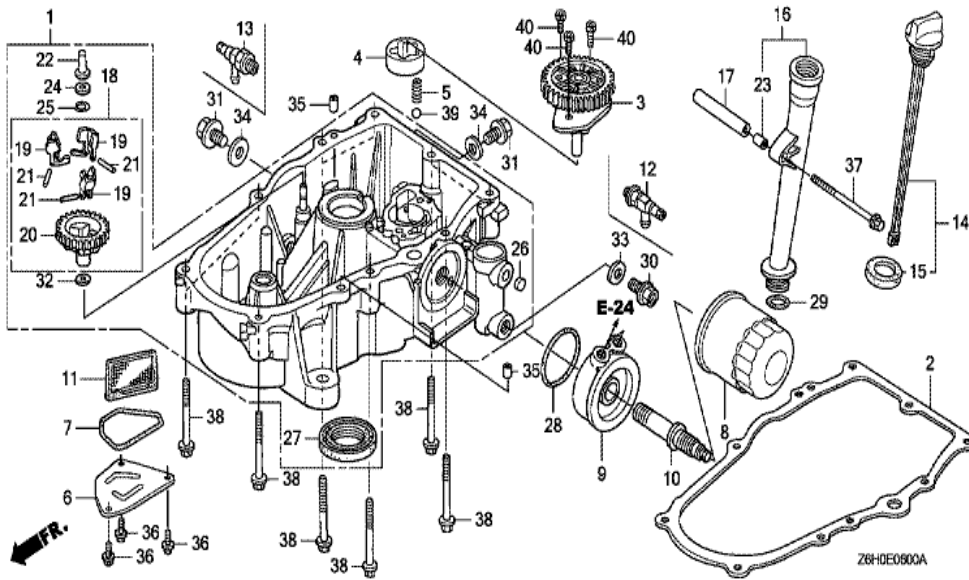


<u>Ref</u>	<u>Partnumber</u>	<u>Description</u>	<u>GXV670U</u>	<u>Serial Numbers</u>
001	12000-ZN2-405	BARREL ASSY., CYLINDER	1	1002340
001	12000-ZN2-415	BARREL ASSY., CYLINDER	1	
001	12000-ZN2-415	BARREL ASSY., CYLINDER	1	1002341
002	12356-ZJ1-000	COVER, BREATHER	1	
003	12358-ZJ1-000	PACKING, BREATHER COVER	1	
004	12372-ZE2-300	VALVE, BREATHER	1	
005	16541-ZJ1-840	SHAFT, GOVERNOR ARM	1	
006	31511-ZJ1-000	CLAMPER, CORD	1	
007	35490-Z6D-003	SWITCH ASSY., OIL PRESSURE	1	1000416
007	37240-ZG5-004	SWITCH, OIL PRESSURE	1	1000415
007	37240-ZG5-004	SWITCH, OIL PRESSURE	1	1000415
008	90002-ZG5-004	SCREW-WASHER, 4X8	1	1000415
008	90002-ZW2-F01	SCREW-WASHER, 4X8	1	
<u>Ref</u>	<u>Partnumber</u>	<u>Description</u>	<u>GXV670U</u>	<u>Serial Numbers</u>
008	90002-ZW2-F01	SCREW-WASHER, 4X8	1	1000416
009	90029-888-000	BOLT, FLANGE, 6X16 (CT200)	2	
010	90031-ZE1-000	BOLT, FLANGE, 6X32	2	
011	91001-ZJ1-841	BEARING, NEEDLE, 8X12.7X11.1	1	
012	91002-ZJ1-841	BEARING, NEEDLE, 8X12X10	1	
013	91201-ZE9-003	OIL SEAL, 8X14X5	1	
014	91201-ZJ1-841	OIL SEAL, 38X58X9	1	
015	91302-MB6-830	O-RING, 13X3.0	1	
016	94102-08800	WASHER, PLAIN, 8MM	3	
017	94251-08000	PIN, LOCK, 8MM	2	
018	96140-6003010	BEARING, RADIAL BALL, 6003	1	



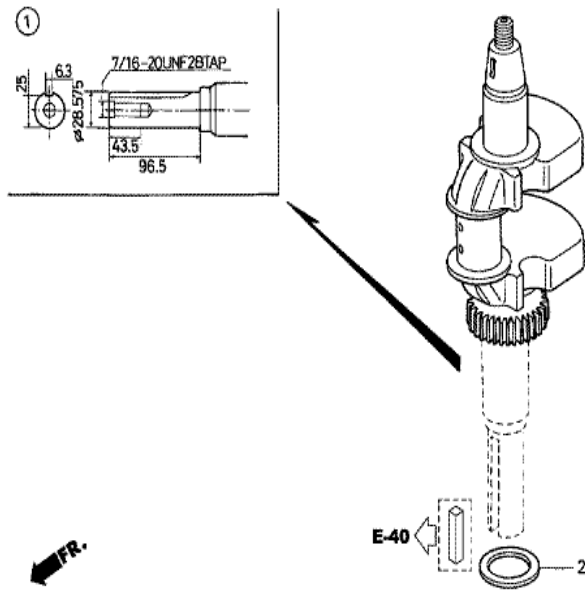
Z6H0E4000A

Ref	Partnumber	Description	GXV670U	Serial Numbers
001	87516-ZH7-000	MARK, OPERATOR CAUTION (ENGLISH) (MADE I	1	1002722
002	87516-ZH7-800	MARK, OPERATOR CAUTION (FRENCH) (MADE IN	1	1002722
004	87516-ZH7-010	MARK, OPERATOR CAUTION (ENGLISH) (MADE I	1	1002723
005	87516-ZH7-801	MARK, OPERATOR CAUTION (FRENCH) (MADE IN	1	1002723
006	87519-ZH7-000	MARK, OPERATOR CAUTION (PICTOGRAPH)	1	1002723



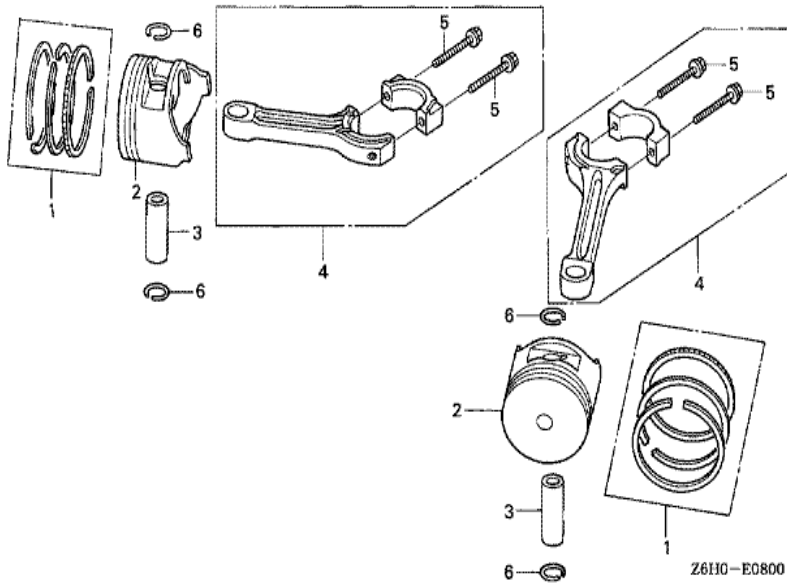
Ref	Partnumber	Description	GXV670U	Serial Numbers
001	11300-ZJ4-831	PAN ASSY., OIL	1	1000390
001	11300-ZJ4-832	PAN ASSY., OIL	1	
001	11300-ZJ4-832	PAN ASSY., OIL	1	1000391
002	11381-ZJ1-840	GASKET, CASE COVER	1	
003	15120-ZJ1-000	COVER ASSY., OIL PUMP (TWO BOLTS)	1	1000390
003	15120-ZJ1-010	COVER ASSY., OIL PUMP (THREE BOLTS)	1	
003	15120-ZJ1-010	COVER ASSY., OIL PUMP (THREE BOLTS)	1	1000391
004	15124-ZJ1-003	ROTOR, OIL PUMP OUTER	1	
005	15232-ZJ1-000	SPRING, RELIEF VALVE	1	
006	15334-ZJ4-000	PLATE, OIL FILTER	1	
007	15339-ZJ4-000	O-RING, OIL PLATE	1	
008	15400-ZJ1-004	CARTRIDGE, OIL FILTER (TOYO ROKI)	1	
009	15411-ZN2-000	BASE, OIL FILTER	1	

<u>Ref</u>	<u>Partnumber</u>	<u>Description</u>	<u>GXV670U</u>	<u>Serial Numbers</u>
010	15424-ZN2-000	BOLT, OIL FILTER	1	
011	15427-ZG8-000	SCREEN, OIL FILTER	1	
012	15558-ZJ1-003	VALVE, OIL SHUT-OFF	(1)	
013	15558-772-010	VALVE, OIL SHUT-OFF	(1)	
014	15600-ZJ4-000	CAP ASSY., OIL FILLER	1	
015	15625-ZE8-000	PACKING, OIL FILLER CAP	1	
016	15630-ZE8-000	EXTENSION, OIL FILLER	1	
017	15637-ZJ4-830	COLLAR, FILLER SETTING	1	
018	16510-ZJ1-840	GOVERNOR ASSY.	1	
019	16511-ZJ1-840	WEIGHT, GOVERNOR	3	
020	16512-ZJ1-840	HOLDER, GOVERNOR WEIGHT	1	
021	16513-ZE2-000	PIN, GOVERNOR WEIGHT	3	
022	16531-Z0A-000	SLIDER, GOVERNOR	1	
023	17240-ZE6-000	COLLAR, EXTENSION	1	
024	90473-147-000	WASHER, 6X16	1	
025	90602-ZE1-000	CLIP, GOVERNOR HOLDER	1	
026	90855-921-300	PLUG, SEALING, 10MM	1	
027	91202-ZJ1-841	OIL SEAL, 38X58X9	1	
028	91301-MG8-003	O-RING, 51X2.3 (ARAI)	1	
029	91301-ZE9-003	O-RING, 22.1X2.2	1	
030	92800-14000	BOLT, DRAIN PLUG, 14MM	1	
031	92800-20000	BOLT, DRAIN PLUG, 20MM	2	
032	94101-06800	WASHER, PLAIN, 6MM	1	
033	94109-14000	WASHER, DRAIN PLUG, 14MM	1	
034	94109-20000	WASHER, DRAIN PLUG, 20MM	2	
035	94301-08140	DOWEL PIN, 8X14	2	
036	95701-0601400	BOLT, FLANGE, 6X14	3	
037	95701-0610000	BOLT, FLANGE, 6X100	1	
038	95701-0805000	BOLT, FLANGE, 8X50	9	
039	96211-12000	BALL, STEEL, #12 (3/8)	1	
040	96600-0601600	BOLT, SOCKET, 6X16	2	1000390
040	96600-0601600	BOLT, SOCKET, 6X16	3	
040	96600-0601600	BOLT, SOCKET, 6X16	3	1000391



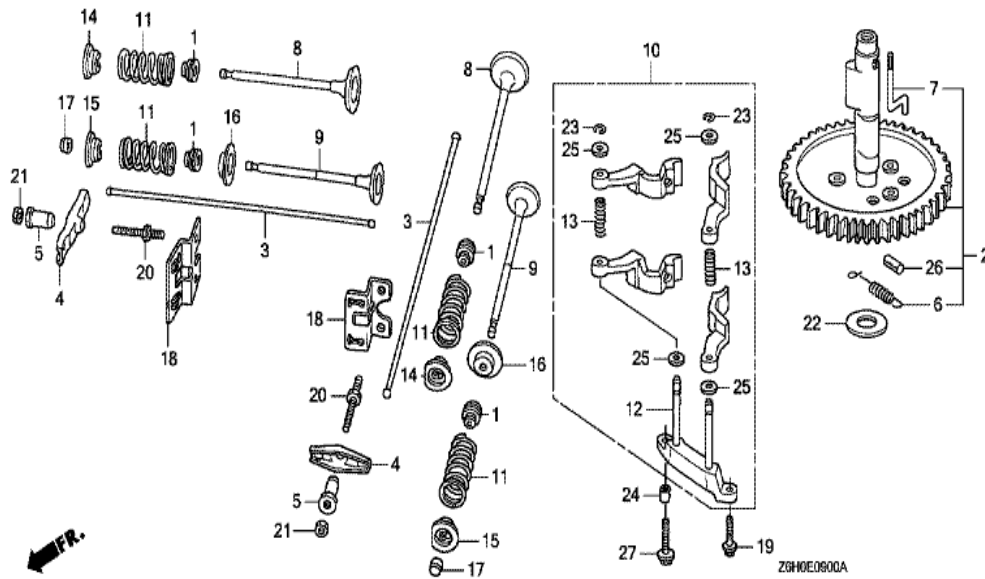
Z6H0-E0700

Ref	Partnumber	Description	GXV670U	Serial Numbers
001	13310-ZN2-000	CRANKSHAFT COMP.	1	
002	90401-ZJ1-000	WASHER, CRANKSHAFT THRUST (38.5X54.0X1.0	1	



Ref	Partnumber	Description	GXV670U	Serial Numbers
001	13010-Z5H-004	RING SET, PISTON (STD.) (TPR)	2	1002341
001	13010-ZJ1-841	RING SET, PISTON (STD.) (NIPPON)	2	1002340
001	13010-ZJ1-841	RING SET, PISTON (STD.) (NIPPON)	2	1002340
001	13011-Z5H-004	RING SET, PISTON (0.25) (TPR)	(2)	1002341
001	13011-Z5H-004	RING SET, PISTON (0.25) (TPR)	(2)	1002341
001	13011-ZJ1-841	RING SET, PISTON (0.25) (NIPPON)	(2)	1002340
001	13011-ZJ1-841	RING SET, PISTON (0.25) (NIPPON)	(2)	1002340
001	13012-Z5H-004	RING SET, PISTON (0.50) (TPR)	(2)	1002341
001	13012-Z5H-004	RING SET, PISTON (0.50) (TPR)	(2)	1002341
001	13012-ZJ1-841	RING SET, PISTON (0.50) (NIPPON)	(2)	1002340
001	13012-ZJ1-841	RING SET, PISTON (0.50) (NIPPON)	(2)	1002340
001	13013-Z5H-004	RING SET, PISTON (0.75) (TPR)	(2)	
001	13013-Z5H-004	RING SET, PISTON (0.75) (TPR)	(2)	1002341

<u>Ref</u>	<u>Partnumber</u>	<u>Description</u>	<u>GXV670U</u>	<u>Serial Numbers</u>
001	13013-ZJ1-841	RING SET, PISTON (0.75) (NIPPON)	(2)	1002340
001	13013-ZJ1-841	RING SET, PISTON (0.75) (NIPPON)	(2)	1002340
002	13101-ZN1-000	PISTON (STD.)	2	1002340
002	13101-ZN1-010	PISTON (STD.)	2	
002	13101-ZN1-010	PISTON (STD.)	2	1002341
002	13102-ZN1-000	PISTON (0.25)	(2)	1002340
002	13102-ZN1-000	PISTON (0.25)	(2)	1002340
002	13102-ZN1-010	PISTON (0.25)	(2)	1002341
002	13102-ZN1-010	PISTON (0.25)	(2)	1002341
002	13103-ZN1-000	PISTON (0.50)	(2)	1002340
002	13103-ZN1-000	PISTON (0.50)	(2)	1002340
002	13103-ZN1-010	PISTON (0.50)	(2)	1002341
002	13103-ZN1-010	PISTON (0.50)	(2)	1002341
002	13104-ZN1-000	PISTON (0.75)	(2)	1002340
002	13104-ZN1-000	PISTON (0.75)	(2)	1002340
002	13104-ZN1-010	PISTON (0.75)	(2)	1002341
002	13104-ZN1-010	PISTON (0.75)	(2)	1002341
003	13111-ZJ1-840	PIN, PISTON	2	
004	13200-ZN1-003	ROD ASSY., CONNECTING	2	
005	90001-ZN1-000	BOLT, CONNECTING ROD, 6X37	4	
006	90551-ZE1-000	CLIP, PISTON PIN, 18MM	4	



Ref	Partnumber	Description	GXV670U	Serial Numbers
001	12209-ZE8-003	SEAL, VALVE STEM	4	
002	14100-ZJ1-842	CAMSHAFT ASSY.	1	
003	14410-ZJ1-840	ROD, PUSH	4	
004	14431-ZE2-010	ARM, VALVE ROCKER	4	
005	14451-ZE1-013	PIVOT, ROCKER ARM	4	
006	14568-ZJ1-841	SPRING, WEIGHT RETURN	1	
007	14576-ZJ1-840	PIN, DECOMPER	1	
008	14711-ZE3-000	VALVE, IN.	2	
009	14721-ZE3-000	VALVE, EX.	2	
010	14730-ZJ1-841	LIFTER ASSY., VALVE	1	1002180
010	14730-ZJ1-842	LIFTER ASSY., VALVE	1	
010	14730-ZJ1-842	LIFTER ASSY., VALVE	1	1002181
011	14751-ZE2-003	SPRING, VALVE	4	
Ref	Partnumber	Description	GXV670U	Serial Numbers
012	14760-ZJ1-840	SHAFT COMP., VALVE LIFTER	1	
013	14764-ZJ1-840	SPRING, VALVE LIFTER	2	
014	14771-ZE2-000	RETAINER, IN. VALVE SPRING	2	
015	14773-ZE2-000	RETAINER, EX. VALVE SPRING	2	
016	14775-ZE2-010	SEAT, VALVE SPRING	2	
017	14781-ZE2-000	ROTATOR, VALVE	2	
018	14791-ZE9-010	GUIDE, PUSH ROD	2	
019	90005-896-000	BOLT, FLANGE, 5X16	1	
020	90012-ZE0-010	BOLT, PIVOT, 8MM	4	
021	90206-ZE1-000	NUT, PIVOT ADJUSTING	4	
022	90446-357-000	WASHER, THRUST, 17.2MM	1	
023	90602-ZE1-000	CLIP, GOVERNOR HOLDER	2	
024	90702-GB6-910	DOWEL PIN, 8X12	1	
025	94101-06800	WASHER, PLAIN, 6MM	4	
026	94305-60282	PIN, SPRING, 6X28	1	
027	95701-0602500	BOLT, FLANGE, 6X25	1	