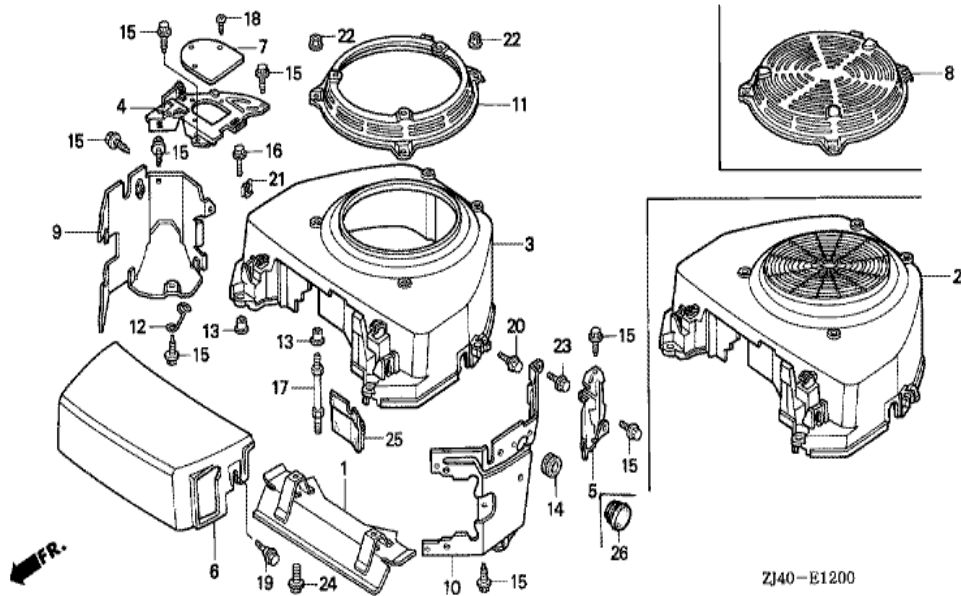
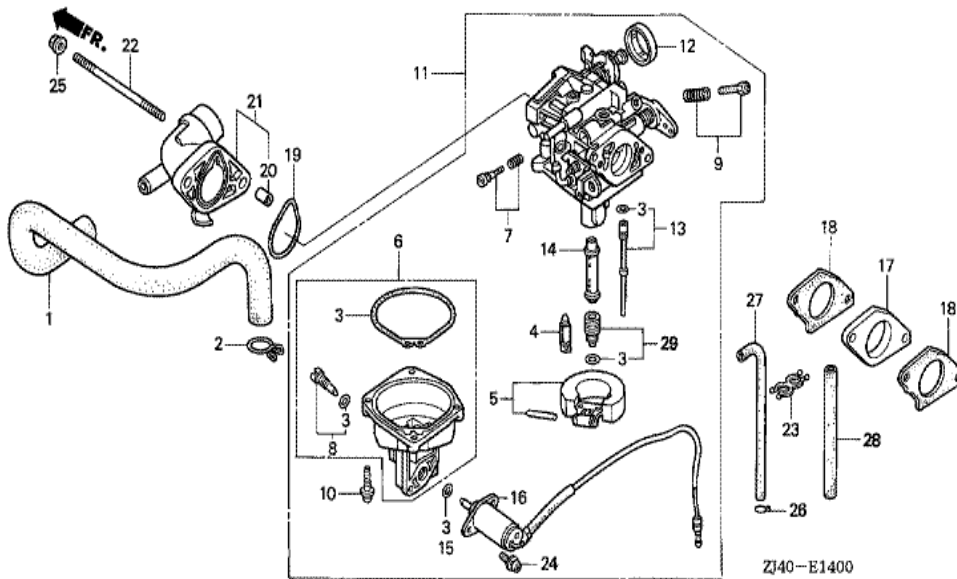


ZJ40-E1100A

Ref	Partnumber	Description	GXV620	Serial Numbers
001	28400-ZE3-W01ZA	STARTER ASSY., RECOIL *R8 *	1	2009862
002	28410-ZE3-W01ZA	CASE COMP., RECOIL STARTER *R8 *	1	2009862
003	28421-ZE3-W01	PULLEY, RECOIL STARTER	1	
004	28422-ZE2-W01	RATCHET, STARTER	2	
005	28441-ZE2-W01	SPRING, FRICTION	1	
006	28442-ZE2-W01	SPRING, STARTER RETURN	1	
007	28443-ZE2-W01	SPRING, RATCHET	2	
008	28444-ZE2-W01	RETAINER, SPRING	1	
010	28461-ZE2-W01	GRIP, STARTER	1	1011939
010	28461-ZE2-W02	GRIP, STARTER	1	1011940
011	28462-ZE3-W01	ROPE, RECOIL STARTER	1	
012	28469-ZE2-W01	REINFORCEMENT, GRIP	1	1004895
013	90004-ZE2-W01	SCREW, CENTER	1	
Ref	Partnumber	Description	GXV620	Serial Numbers
014	90008-ZE2-003	BOLT, FLANGE, 6X10	3	

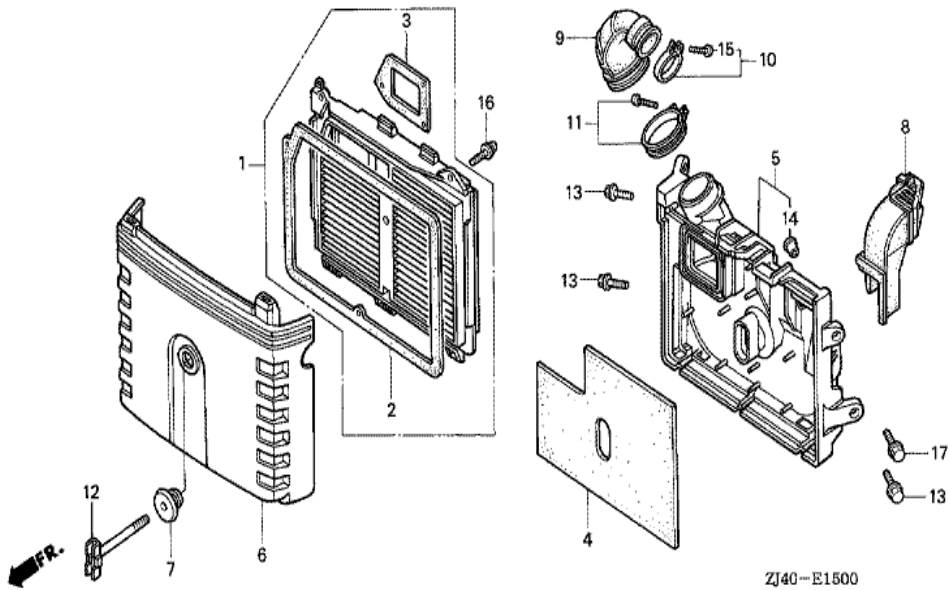


<u>Ref</u>	<u>Partnumber</u>	<u>Description</u>	<u>GXV620</u>	<u>Serial Numbers</u>
001	18205-ZJ4-000	PROTECTOR COMP., EX. PIPE	1	1000016
003	19611-ZJ1-800ZB	COVER, FAN (RECOIL STARTER) *R8 *	1	
004	19612-ZJ1-000	PLATE, SIDE	1	
005	19614-ZJ1-000	PLATE, SIDE	1	
006	19615-ZJ1-000	HOOD, FAN COVER	1	
009	19631-ZJ1-000	SHROUD	1	
010	19632-ZJ4-000	SHROUD, L.	1	
011	28405-ZJ1-801ZB	SPACER, RECOIL STARTER MOUNTING *	1	
012	30588-898-000	CLAMP, HIGH TENSION TUBE	1	
013	33713-GC2-000	COLLAR B, TAILLIGHT	6	
014	80115-KS5-000	RUBBER, BRACKET MOUNTING	1	
015	90013-883-000	BOLT, FLANGE, 6X12 (CT200)	8	
016	90018-ZE1-000	BOLT, FLANGE, 6X23 (CT200)	2	
<u>Ref</u>	<u>Partnumber</u>	<u>Description</u>	<u>GXV620</u>	<u>Serial Numbers</u>
017	90042-ZJ1-000	BOLT, STUD, 6X73	2	
019	90104-GF6-000	BOLT, FLANGE, 6X20	2	
020	90113-GE4-000	BOLT, FLANGE, 6MM (BLACK)	2	
021	90320-MM5-000	NUT, SPRING, 6MM	2	
022	94050-06000	NUT, FLANGE, 6MM	4	
023	95701-0600800	BOLT, FLANGE, 6X8	2	
024	95701-0801600	BOLT, FLANGE, 8X16	2	1000016

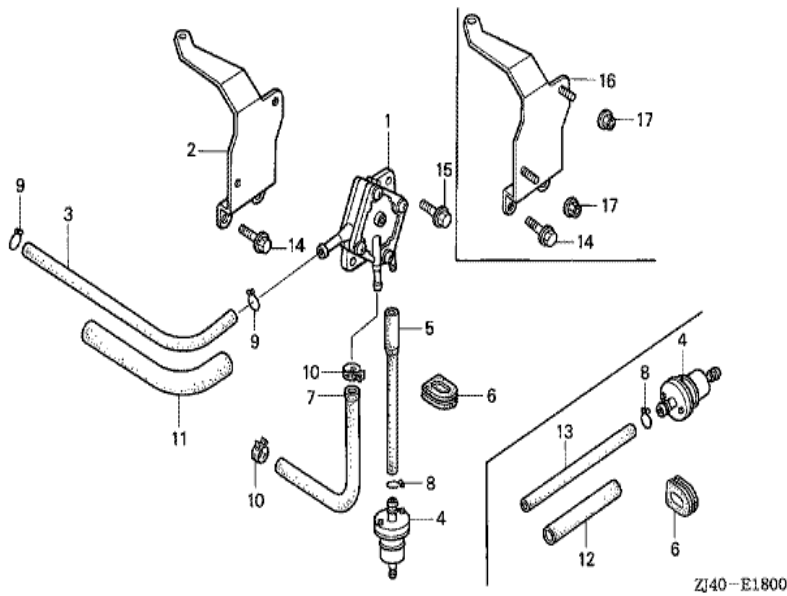


ZJ40-E1400

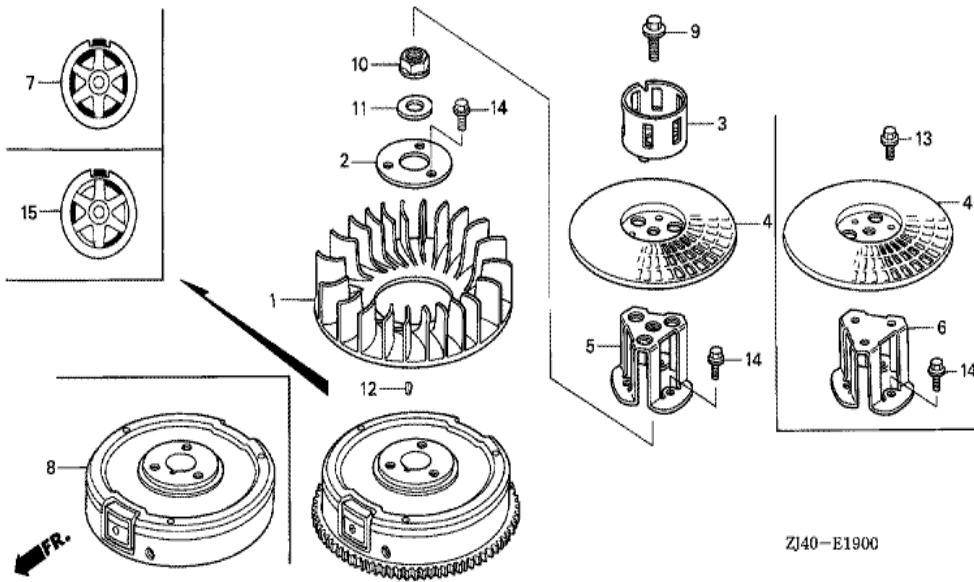
Ref	Partnumber	Description	GXV620	Serial Numbers
001	12357-ZJ4-000	TUBE, BREATHER	1	
002	15772-551-000	CLIP, BREATHER TUBE	1	
003	16010-ZJ4-800	GASKET SET	1	
004	16011-GK0-891	VALVE SET, FLOAT	1	
005	16013-ZV4-005	FLOAT SET	1	
006	16015-ZJ4-800	CHAMBER SET, FLOAT	1	
007	16016-ZJ1-010	SCREW SET	1	
008	16024-124-760	SCREW SET, DRAIN	1	
009	16028-ZG8-000	SCREW SET	1	
010	16081-ZV4-650	SCREW-WASHER	4	
011	16100-ZJ6-811	CARBURETOR ASSY. (BG28A A)	1	
012	16148-141-881	CAP, CHOKE DUST	1	
013	16150-ZJ6-010	JET SET, #42	1	
<u>Ref</u>	<u>Partnumber</u>	<u>Description</u>	<u>GXV620</u>	<u>Serial Numbers</u>
014	16166-ZJ6-010	NOZZLE, MAIN	1	
017	16211-ZJ1-000	INSULATOR, CARBURETOR	1	
018	16221-ZG8-000	PACKING, CARBURETOR	2	
019	17228-ZG8-003	PACKING, AIR CLEANER	1	
020	17237-ZE3-791	COLLAR A, AIR CLEANER	2	
021	17410-ZJ4-000	ELBOW COMP., AIR CLEANER	1	
022	90041-147-000	BOLT, STUD, 6X108	2	
023	90658-SAO-003	CLIP, WIRE HARNESS	1	
025	94050-06000	NUT, FLANGE, 6MM	2	
026	95002-02080	CLIP, TUBE (B8)	1	
027	95005-3560020	TUBE, 3.5X600 (95005-35001-20M)	1	
028	95005-4545020	TUBE, 4.5X450 (95005-45001-20M)	1	
029	99101-ZJ41050	JET, MAIN, #105	(1)	
029	99101-ZJ41080	JET, MAIN, #108	(1)	
029	99101-ZJ41100	JET, MAIN, #110	1	



<u>Ref</u>	<u>Partnumber</u>	<u>Description</u>	<u>GXV620</u>	<u>Serial Numbers</u>
001	17010-ZJ1-000	ELEMENT SET, AIR CLEANER	1	
002	17216-ZJ1-000	PACKING A, ELEMENT	1	
003	17217-ZJ1-000	PACKING B, ELEMENT	1	
004	17218-ZJ1-000	FILTER, OUTER	1	
005	17220-ZJ1-000	CASE COMP., AIR CLEANER	1	
006	17231-ZJ1-000	COVER, AIR CLEANER	1	
007	17232-ZJ1-000	GROMMET, AIR CLEANER	1	
008	17237-ZJ1-000	HOSE, AIR CLEANER	1	
009	17251-ZJ4-000	TUBE, AIR CLEANER CONNECTING	1	
010	17255-758-000	BAND, AIR CLEANER CONNECTING TUBE	1	
011	95018-50250	BAND, AIR CLEANER CONNECTING TUBE (50)	1	1005091
012	90017-ZJ1-000	BOLT, AIR CLEANER	1	
013	90018-ZE1-000	BOLT, FLANGE, 6X23 (CT200)	3	
<u>Ref</u>	<u>Partnumber</u>	<u>Description</u>	<u>GXV620</u>	<u>Serial Numbers</u>
014	90120-102-000	COLLAR, AIR CLEANER CASE	4	
015	93500-040200A	SCREW, PAN, 4X20	1	
016	93891-0501608	SCREW-WASHER, 5X16	2	
017	95701-0601800	BOLT, FLANGE, 6X18	1	

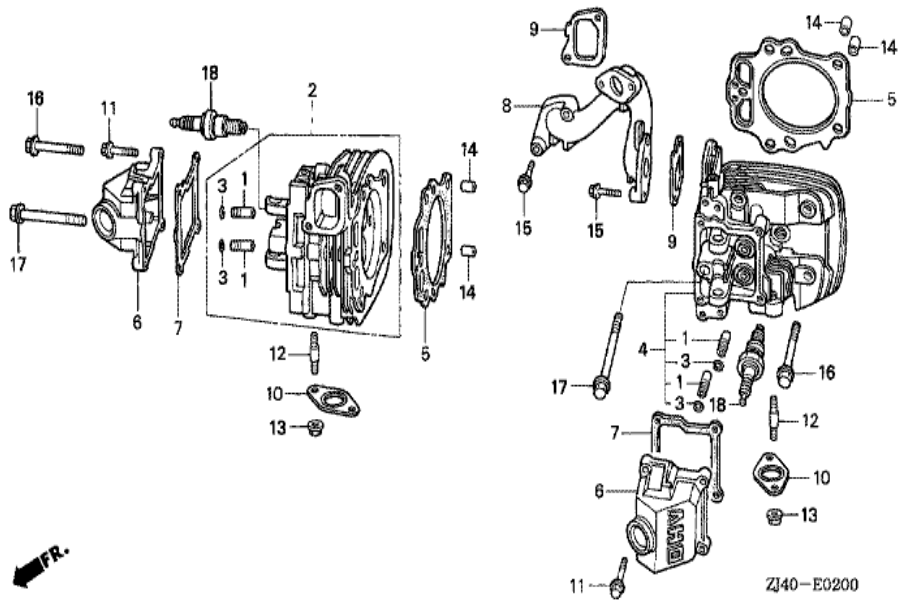


Ref	Partnumber	Description	GXV620	Serial Numbers
001	16700-ZJ1-003	PUMP ASSY., FUEL	1	
002	16711-ZJ4-000ZB	STAY, FUEL PUMP *R8 *	1	1001552
003	16851-ZJ4-000	TUBE, FUEL	1	
004	16910-ZE8-015	STRAINER COMP., FUEL	1	
005	16852-ZJ4-000	TUBE B, FUEL	1	1000712
006	19905-ZA8-701	GROMMET, CORD	1	
007	95001-5520540	TUBE, FUEL, 5.3X205 (95001-55001-60M)	1	
008	95002-02080	CLIP, TUBE (B8)	1	
009	95002-02100	CLIP, TUBE (B10)	2	
010	95002-4105008	CLAMP, TUBE (D10.5)	2	
011	95003-3601620	TUBE, VINYL, 11X13X160 (95003-36001-10M)	1	
014	95701-0600800	BOLT, FLANGE, 6X8	2	
015	95701-0601400	BOLT, FLANGE, 6X14	2	1003060
Ref	Partnumber	Description	GXV620	Serial Numbers
016	16711-ZJ4-010ZB	STAY, FUEL PUMP *R8 *	1	1003061
017	94050-06000	NUT, FLANGE, 6MM	2	1003061

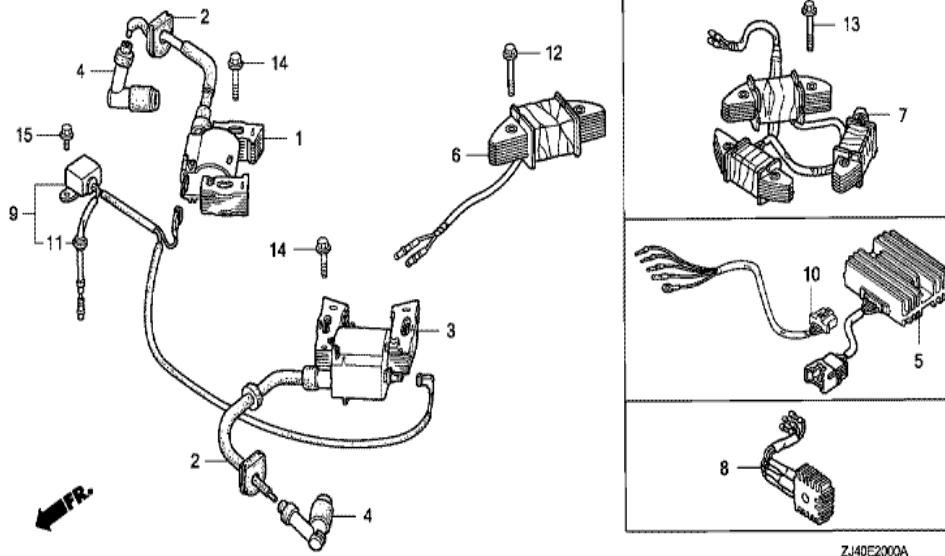


ZJ40-E1900

Ref	Partnumber	Description	GXV620	Serial Numbers
001	19511-ZJ1-000	FAN, COOLING	1	
003	28451-ZJ1-801	PULLEY, STARTER	1	
004	28452-ZJ1-801	GRID, SCREEN	1	
005	28453-ZJ1-801	SPACER, STARTER PULLEY MOUNTING	1	
009	90013-ZJ1-800	BOLT, UBS, 12X28	1	
010	90201-ZG3-000	NUT, FLANGE, 20MM	1	
011	90401-ZG3-000	WASHER, 20MM	1	
012	90741-ZE2-000	KEY, SPECIAL WOODRUFF, 25X18	1	
014	95701-0801600	BOLT, FLANGE, 8X16	3	
015	31110-ZJ1-810	FLYWHEEL COMP.	1	1004880
015	31110-ZJ1-811	FLYWHEEL COMP.	1	1004881

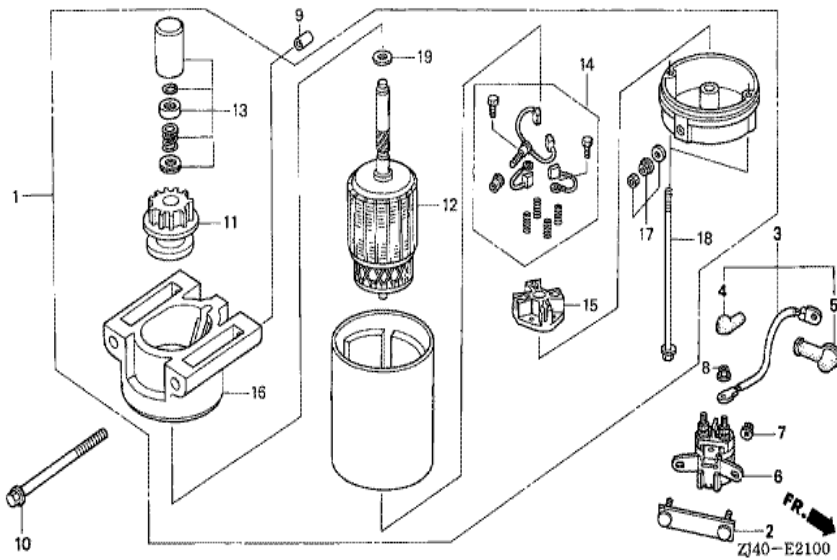


<u>Ref</u>	<u>Partnumber</u>	<u>Description</u>	<u>GXV620</u>	<u>Serial Numbers</u>
001	12205-ZE2-305	GUIDE, EX. VALVE (OS)	4	
002	12210-ZJ4-000	HEAD COMP., CYLINDER (#1)	1	
003	12216-ZE2-300	CLIP, VALVE GUIDE	4	
004	12220-ZJ4-000	HEAD COMP., CYLINDER (#2)	1	
005	12251-ZJ1-003	GASKET, CYLINDER HEAD	2	
006	12311-ZJ1-000	COVER, HEAD	2	
007	12391-ZJ1-000	PACKING, HEAD COVER	2	
008	17101-ZJ4-000	MANIFOLD, INTAKE	1	
009	17151-ZJ1-003	GASKET, INTAKE MANIFOLD	2	
010	18333-ZJ1-000	GASKET, EX. PIPE	2	
011	90121-ZJ1-000	BOLT, FLANGE, 6X25 (CT200)	8	
012	92900-080250B	BOLT, STUD, 8X25	4	
013	94050-08000	NUT, FLANGE, 8MM	4	
<u>Ref</u>	<u>Partnumber</u>	<u>Description</u>	<u>GXV620</u>	<u>Serial Numbers</u>
014	94301-12200	DOWEL PIN, 12X20	4	
015	95701-0603200	BOLT, FLANGE, 6X32	4	
016	95701-1007500	BOLT, FLANGE, 10X75	8	
017	95701-1013000	BOLT, FLANGE, 10X130	2	
018	98079-55846	PLUG, SPARK (BPR5ES) (NGK)	2	

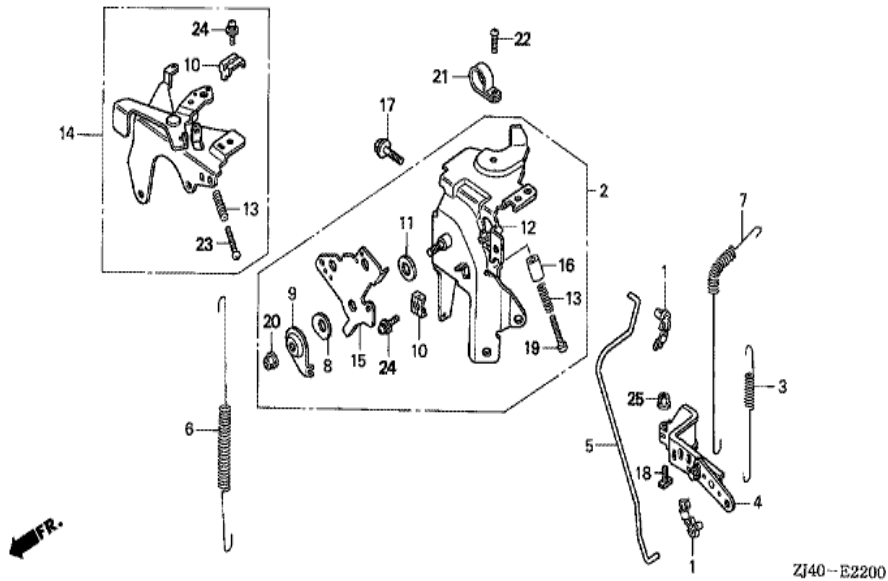


ZJ40E2000A

Ref	Partnumber	Description	GXV620	Serial Numbers
001	30500-ZJ1-013	COIL ASSY., IGNITION	1	
002	30518-ZJ1-000	GROMMET, HIGH TENSION CORD	2	
003	30550-ZJ1-013	COIL ASSY., IGNITION	1	1000961
004	30700-ZJ1-003	CAP ASSY., NOISE SUPPRESSOR	2	
006	31630-ZJ1-003	COIL ASSY., CHARGE (12V/3A)	1	
008	31710-ZJ1-811	RECTIFIER ASSY.	1	
009	31740-ZJ4-801	DIODE ASSY., ENGINE STOP	1	
011	63312-ZA7-000	GROMMET, TOOL	1	
012	90014-ZE6-000	BOLT, FLANGE, 6X35 (CT200)	2	
014	90121-952-000	BOLT, FLANGE, 6X25 (CT200)	2	
015	95701-0600800	BOLT, FLANGE, 6X8	1	

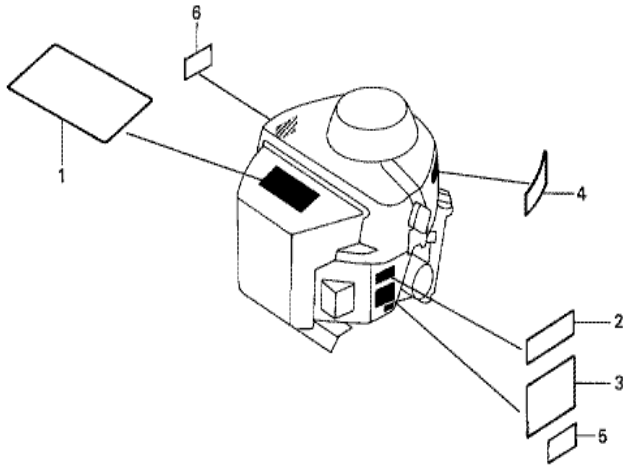


<u>Ref</u>	<u>Partnumber</u>	<u>Description</u>	<u>GXV620</u>	<u>Serial Numbers</u>
001	31200-ZJ4-003	MOTOR ASSY., STARTER	1	
002	31243-ZJ1-800	BRACKET, STARTER MAGNETIC SETTING	(1)	
003	32402-ZJ1-810	CORD, MAGNET SWITCH	(1)	
004	32411-KB9-930	COVER A, MAGNETIC SWITCH	(1)	
005	32411-402-000	COVER, STARTING MOTOR TERMINAL	(1)	
006	35850-ZJ1-811	SWITCH ASSY., STARTER MAGNETIC	(1)	
007	94070-06000	NUT-WASHER, 6MM	2	
008	94070-06080	NUT-WASHER, 6MM	(2)	
009	94301-10120	DOWEL PIN, 10X12	2	
010	95701-0811000	BOLT, FLANGE, 8X110	2	
011	31213-ZJ1-004	GEAR SET, PINION	1	
012	31217-ZJ1-004	ARMATURE COMP. (###)	1	
013	31225-ZJ1-004	STOPPER SET, PINION	1	
<u>Ref</u>	<u>Partnumber</u>	<u>Description</u>	<u>GXV620</u>	<u>Serial Numbers</u>
014	31226-ZJ1-004	BRUSH SET	1	
015	31231-ZJ1-004	HOLDER COMP., BRUSH	1	
016	31235-ZJ1-004	BRACKET COMP., FR. (###)	1	
017	31237-ZJ1-004	NUT SET, TERMINAL	1	
018	31261-ZJ1-004	BOLT, THROUGH	2	
019	90407-ZJ1-004	WASHER, THRUST	1	



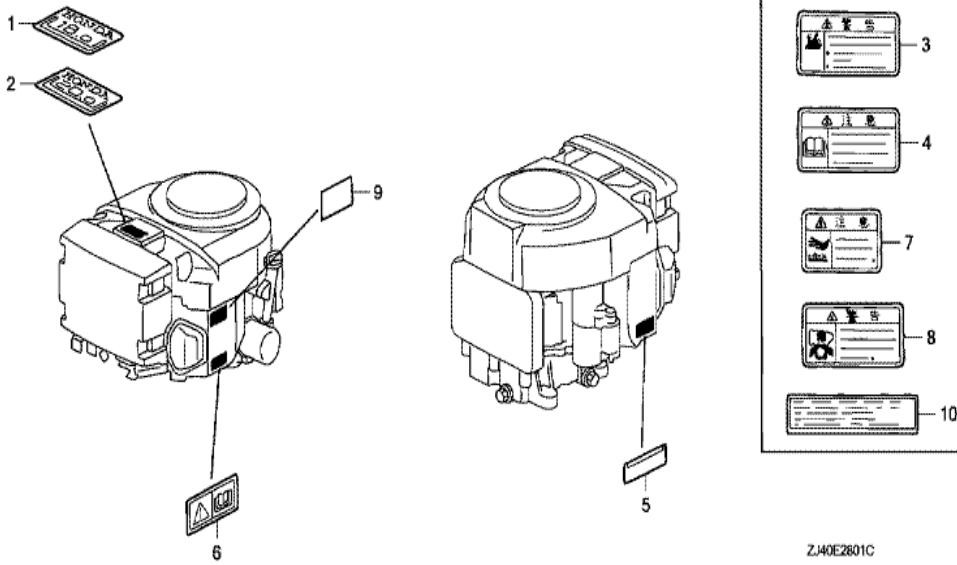
ZJ40--E2200

<u>Ref</u>	<u>Partnumber</u>	<u>Description</u>	<u>GXV620</u>	<u>Serial Numbers</u>
001	16263-ZJ4-003	JOINT, ROD	2	
002	16500-ZJ4-810	CONTROL ASSY. (REMOTE)	1	
003	16534-ZJ1-000	SPRING, STARTER	1	
004	16550-ZJ4-000	ARM COMP., GOVERNOR	1	
005	16555-ZJ4-000	ROD, GOVERNOR	1	
006	16561-ZJ1-000	SPRING, GOVERNOR	1	
007	16562-ZJ4-000	SPRING, THROTTLE RETURN	1	
008	16574-ZE1-000	SPRING, LEVER	1	
009	16575-ZH8-000	WASHER, CONTROL LEVER	1	
010	16576-891-000	HOLDER, CABLE	2	
011	16578-ZE1-000	SPACER, CONTROL LEVER	1	
012	16580-ZJ4-000	BASE COMP., CONTROL	1	
013	16584-883-300	SPRING, CONTROL ADJUSTING	2	
<u>Ref</u>	<u>Partnumber</u>	<u>Description</u>	<u>GXV620</u>	<u>Serial Numbers</u>
014	16590-ZJ4-810	STAY ASSY., CHOKE CONTROL (REMOTE)	1	
015	16596-ZJ1-000	LEVER, WIRE	1	
017	90013-883-000	BOLT, FLANGE, 6X12 (CT200)	2	
018	90015-ZE3-790	BOLT, GOVERNOR ARM	1	
019	93500-050250H	SCREW, PAN, 5X25	1	
020	90114-SAO-000	NUT, SELF-LOCK, 6MM	1	
021	90612-ZJ4-000	CLAMP (D17.5)	1	
022	93500-050120A	SCREW, PAN, 5X12	1	
023	93500-050250H	SCREW, PAN, 5X25	1	
024	93893-0501600	SCREW-WASHER, 5X16	2	
025	94050-06000	NUT, FLANGE, 6MM	1	



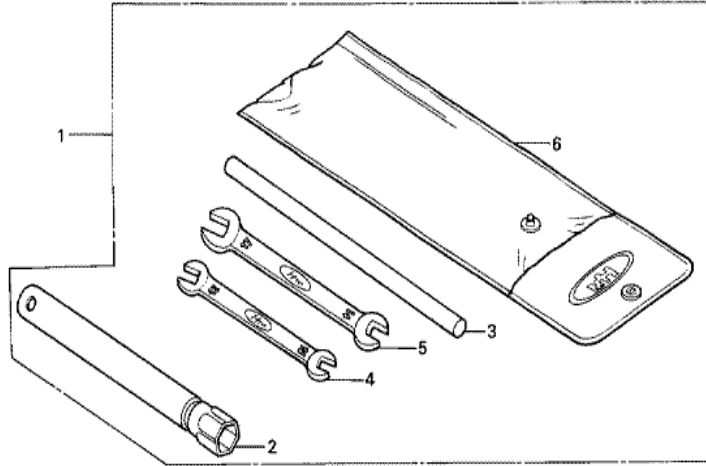
ZJ40-E2800

<u>Ref</u>	<u>Partnumber</u>	<u>Description</u>	<u>GXV620</u>	<u>Serial Numbers</u>
001	87101-ZJ6-000	EMBLEM (GXV620)	1	
002	87152-ZJ6-000	LABEL, SPECIFICATION (GXV620)	1	
003	87522-ZJ1-000	LABEL, CAUTION	1	
005	87586-ZH7-W00	LABEL, FUEL CAUTION	2	1001093



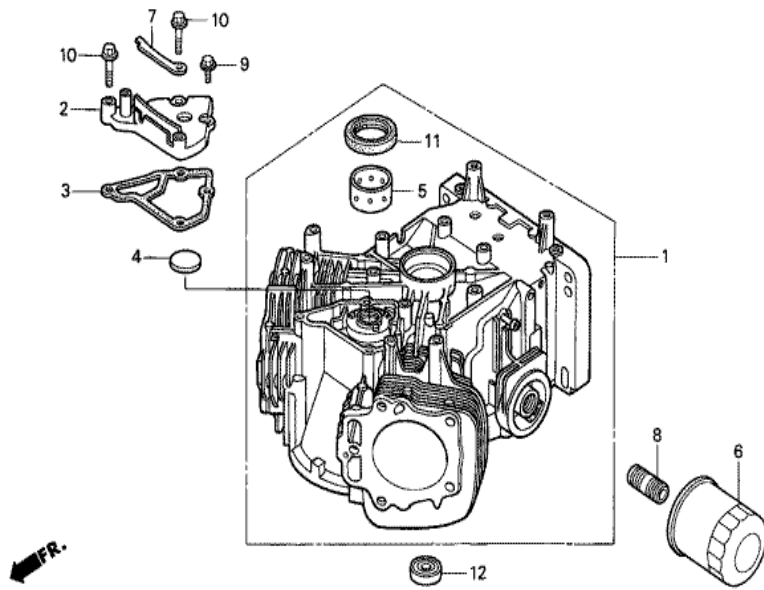
ZJ40E2801C

Ref	Partnumber	Description	GXV620	Serial Numbers
003	87106-737-J00	MARK, FUEL WARNING	(1)	1011058
004	87150-ZH8-000	MARK, CAUTION (JAPANESE)	(1)	1011058
007	87539-737-J00	MARK, HEAT CAUTION	(1)	1011058
008	87561-733-J00	MARK, EX. GAS WARNING	(1)	1011058



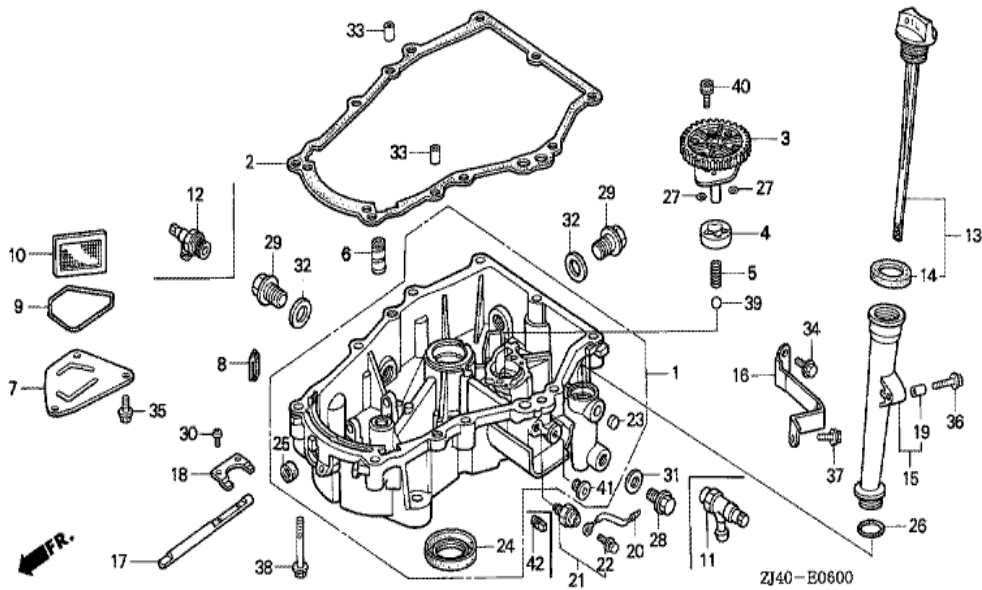
ZJ40-E2900

<u>Ref</u>	<u>Partnumber</u>	<u>Description</u>	<u>GXV620</u>	<u>Serial Numbers</u>
001	89000-ZE1-000	TOOL KIT	(1)	
002	89218-ZE1-000	WRENCH COMP., SPARK PLUG	(1)	
003	89219-805-000	HANDLE, BOX WRENCH	(1)	
004	99001-10120	SPANNER, 10X12	(1)	
005	99001-14170	SPANNER, 14X17	(1)	
006	99008-02300	BAG, TOOL, 230MM	(1)	



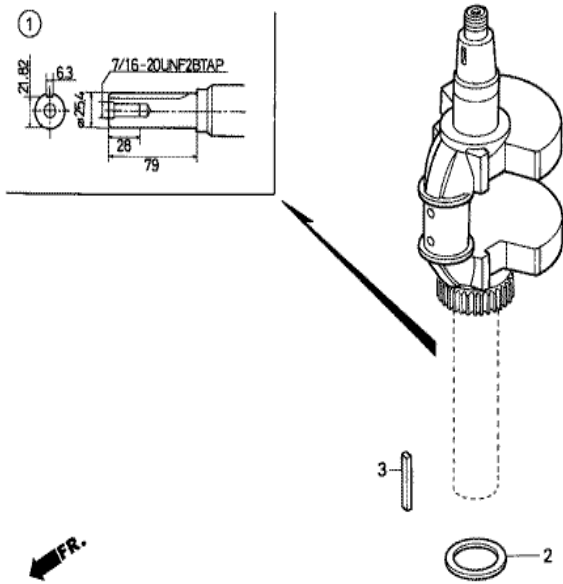
ZJ40-E0300

<u>Ref</u>	<u>Partnumber</u>	<u>Description</u>	<u>GXV620</u>	<u>Serial Numbers</u>
001	12000-ZJ4-000	BARREL ASSY., CYLINDER	1	
002	12356-ZJ1-000	COVER, BREATHER	1	
003	12358-ZJ1-000	PACKING, BREATHER COVER	1	
004	12372-ZE2-300	VALVE, BREATHER	1	
005	13321-ZJ1-000	BEARING A, MAIN (BLUE)	1	
005	13322-ZJ1-000	BEARING B, MAIN (BLACK)	1	
005	13323-ZJ1-000	BEARING C, MAIN (BROWN)	1	
006	15400-ZJ1-004	CARTRIDGE, OIL FILTER (TOYO ROKI)	1	
007	31511-ZJ1-000	CLAMPER, CORD	1	
008	90018-PN3-000	HOLDER, OIL FILTER	1	
009	90029-888-000	BOLT, FLANGE, 6X16 (CT200)	2	
010	90031-ZE1-000	BOLT, FLANGE, 6X32	2	
011	91201-ZJ1-003	OIL SEAL, 38X58X11	1	
<u>Ref</u>	<u>Partnumber</u>	<u>Description</u>	<u>GXV620</u>	<u>Serial Numbers</u>
012	96140-6003010	BEARING, RADIAL BALL, 6003	1	



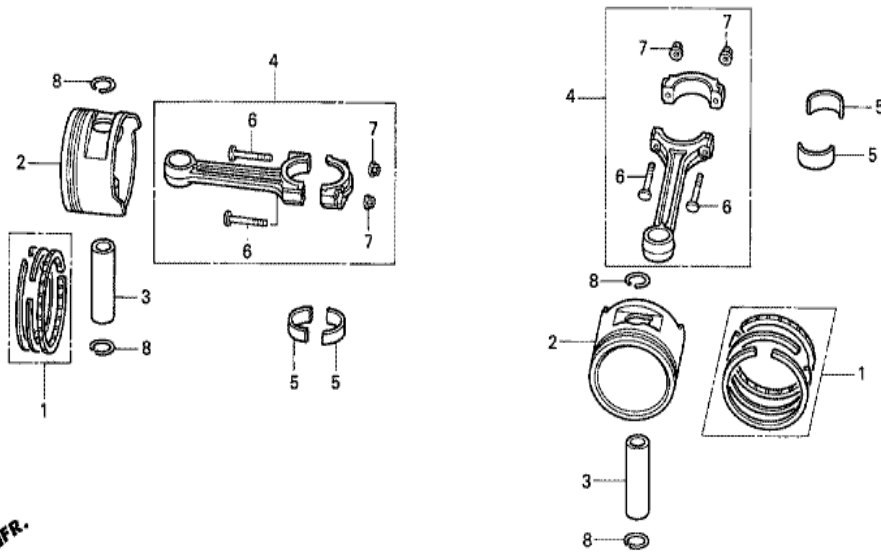
Ref	Partnumber	Description	GXV620	Serial Numbers
001	11300-ZJ4-000	PAN ASSY., OIL	1	
002	11381-ZJ1-000	PACKING, CASE COVER	1	
003	15120-ZJ1-000	COVER ASSY., OIL PUMP (TWO BOLTS)	1	
004	15124-ZJ1-003	ROTOR, OIL PUMP OUTER	1	
005	15232-ZJ1-000	SPRING, RELIEF VALVE	1	
006	15235-ZJ4-000	SHAFT, OIL CONTROL	1	
007	15334-ZJ4-000	PLATE, OIL FILTER	1	
008	15335-ZE7-000	RUBBER, OIL RETURN	2	
009	15339-ZJ4-000	O-RING, OIL PLATE	1	
010	15427-ZG8-000	SCREEN, OIL FILTER	1	
011	15558-ZJ1-003	VALVE, OIL SHUT-OFF	(1)	
012	15558-772-010	VALVE, OIL SHUT-OFF	(1)	
013	15600-ZJ4-000	CAP ASSY., OIL FILLER	1	

<u>Ref</u>	<u>Partnumber</u>	<u>Description</u>	<u>GXV620</u>	<u>Serial Numbers</u>
014	15625-ZE8-000	PACKING, OIL FILLER CAP	1	
015	15630-ZE8-000	EXTENSION, OIL FILLER	1	
016	15646-ZJ4-000	STAY, OIL FILLER EXTENSION	1	
017	16541-ZJ1-000	SHAFT, GOVERNOR ARM	1	
018	16542-ZJ1-000	FORK, GOVERNOR	1	
019	17240-ZE6-000	COLLAR, EXTENSION	1	
023	90855-921-300	PLUG, SEALING, 10MM	1	
024	91201-ZJ1-003	OIL SEAL, 38X58X11	1	
025	91202-HC0-003	OIL SEAL, 10X20X5 (ARAI)	1	
026	91301-ZE9-003	O-RING, 22.1X2.2	1	
027	91302-MB6-830	O-RING, 13X3.0	2	
028	92800-14000	BOLT, DRAIN PLUG, 14MM	1	
029	92800-20000	BOLT, DRAIN PLUG, 20MM	2	
030	93500-050100A	SCREW, PAN, 5X10	2	
031	94109-14000	WASHER, DRAIN PLUG, 14MM	1	
032	94109-20000	WASHER, DRAIN PLUG, 20MM	2	
033	94301-08140	DOWEL PIN, 8X14	2	
034	95701-0601200	BOLT, FLANGE, 6X12	1	
035	95701-0601400	BOLT, FLANGE, 6X14	3	
036	95701-0602800	BOLT, FLANGE, 6X28	1	
037	95701-0801600	BOLT, FLANGE, 8X16	1	
038	95701-0805000	BOLT, FLANGE, 8X50	9	
039	96211-12000	BALL, STEEL, #12 (3/8)	1	
040	96600-0601600	BOLT, SOCKET, 6X16	2	
041	90007-ZG8-300	BOLT, SEALING, 12MM	1	
042	12105-ZA0-701	BOLT, SEALING	1	



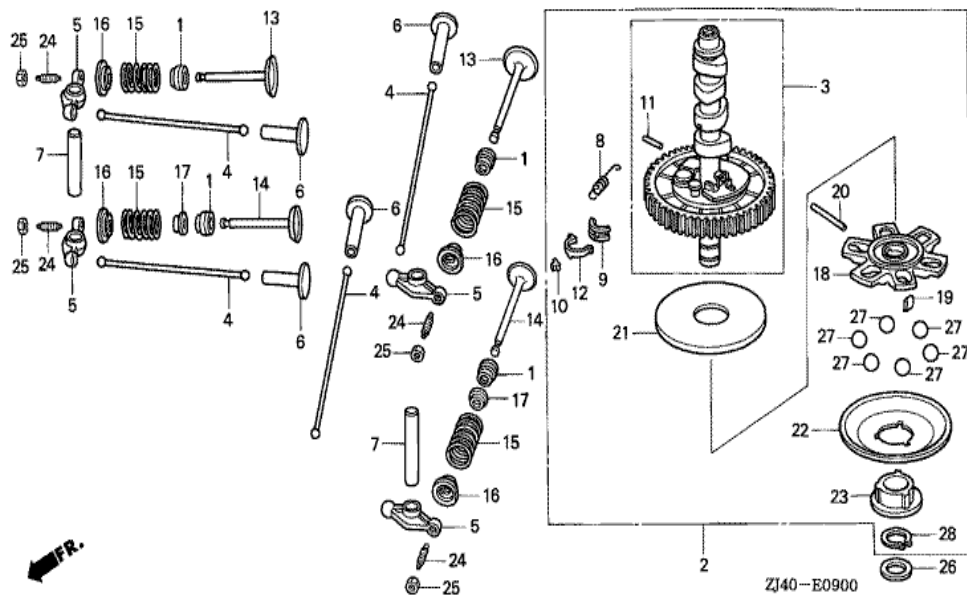
ZJ40-E0700

Ref	Partnumber	Description	GXV620	Serial Numbers
001	13310-ZJ4-000	CRANKSHAFT COMP.	1	
002	90401-ZJ1-000	WASHER, CRANKSHAFT THRUST (38.5X54.0X1.0	1	
003	90745-ZE2-600	KEY, 6.3X6.3X43	(1)	



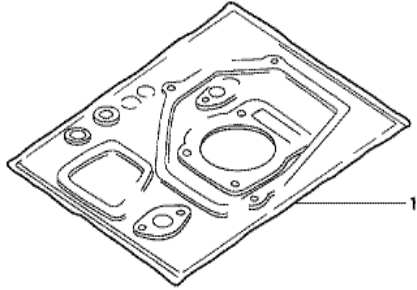
ZJ40-E0800

<u>Ref</u>	<u>Partnumber</u>	<u>Description</u>	<u>GXV620</u>	<u>Serial Numbers</u>
001	13010-ZE8-601	RING SET, PISTON (STD.) (NIPPON)	2	
001	13010-ZE8-602	RING SET, PISTON (STD.) (TEIKOKU)	2	
001	13011-ZE8-601	RING SET, PISTON (0.25) (NIPPON)	(2)	
001	13011-ZE8-602	RING SET, PISTON (0.25) (TEIKOKU)	(2)	
001	13012-ZE8-601	RING SET, PISTON (0.50) (NIPPON)	(2)	
001	13012-ZE8-602	RING SET, PISTON (0.50) (TEIKOKU)	(2)	
001	13013-ZE8-601	RING SET, PISTON (0.75) (NIPPON)	(2)	
001	13013-ZE8-602	RING SET, PISTON (0.75) (TEIKOKU)	(2)	
002	13101-ZJ1-000	PISTON (STD.)	2	
002	13102-ZJ1-000	PISTON (0.25)	(2)	
002	13103-ZJ1-000	PISTON (0.50)	(2)	
002	13104-ZJ1-000	PISTON (0.75)	(2)	
003	13111-ZJ1-000	PIN, PISTON	2	
<u>Ref</u>	<u>Partnumber</u>	<u>Description</u>	<u>GXV620</u>	<u>Serial Numbers</u>
004	13210-ZJ1-000	ROD SET, CONNECTING	2	
005	13211-ZJ1-003	BEARING A, CONNECTING ROD (BLUE)	4	
005	13212-ZJ1-003	BEARING B, CONNECTING ROD (BLACK)	4	
005	13213-ZJ1-003	BEARING C, CONNECTING ROD (BROWN)	4	
005	13214-ZJ1-003	BEARING D, CONNECTING ROD (GREEN)	4	
005	13215-ZJ1-003	BEARING E, CONNECTING ROD (YELLOW)	4	
005	13216-ZJ1-003	BEARING F, CONNECTING ROD (PINK)	4	
005	13217-ZJ1-003	BEARING G, CONNECTING ROD (RED)	4	
006	13213-ML0-000	BOLT, CONNECTING ROD	4	
007	13215-KM3-000	NUT, CONNECTING ROD	4	
008	90551-ZE1-000	CLIP, PISTON PIN, 18MM	4	



Ref	Partnumber	Description	GXV620	Serial Numbers
001	12209-ZE8-003	SEAL, VALVE STEM	4	
002	14100-ZJ1-801	CAMSHAFT ASSY.	1	
003	14110-ZJ1-801	CAMSHAFT COMP.	1	
004	14410-ZJ1-000	ROD, PUSH	4	
005	14431-ZJ1-000	ARM, VALVE ROCKER	4	
006	14441-ZE2-000	LIFTER, VALVE	4	
007	14461-ZJ4-000	SHAFT, ROCKER ARM	2	
008	14568-ZJ1-800	SPRING, WEIGHT RETURN	1	
009	14569-ZJ1-801	HOLDER, DECOMPER PIN	2	
010	14576-ZJ1-801	PIN A, DECOMPER (7.85)	2	
010	14577-ZJ1-801	PIN B, DECOMPER (7.95)	2	
010	14578-ZJ1-801	PIN C, DECOMPER (8.05)	2	
010	14579-ZJ1-801	PIN D, DECOMPER (8.15)	2	

<u>Ref</u>	<u>Partnumber</u>	<u>Description</u>	<u>GXV620</u>	<u>Serial Numbers</u>
010	14580-ZJ1-801	PIN E, DECOMPER (8.25)	2	
011	14581-ZJ1-801	ROD, DECOMPER	1	
012	14586-ZJ1-800	SPRING, DECOMPER PIN HOLDER	2	
013	14711-ZJ1-000	VALVE, IN.	2	
014	14721-ZJ1-000	VALVE, EX.	2	
015	14751-ZE2-003	SPRING, VALVE	4	
016	14771-ZE2-000	RETAINER, IN. VALVE SPRING	4	
017	14775-ZE2-010	SEAT, VALVE SPRING	2	
018	16512-ZJ1-000	HOLDER, GOVERNOR WEIGHT	1	
019	16522-ZJ1-000	PLATE, GOVERNOR WEIGHT HOLDER	1	
020	16523-ZJ1-000	PIN, GOVERNOR WEIGHT HOLDER	1	
021	16524-ZJ1-000	PLATE, GOVERNOR BOTTOM	1	
022	16529-ZJ1-000	PLATE, GOVERNOR SLIDER	1	
023	16531-ZJ1-003	SLIDER, GOVERNOR	1	
024	90012-415-000	SCREW, TAPPET ADJUSTING	4	
025	90206-250-000	NUT, TAPPET ADJUSTING	4	
026	90446-357-000	WASHER, THRUST, 17.2MM	1	
027	90901-ZJ1-003	BALL, STEEL, 18	6	
028	94510-17000	CIRCLIP, EXTERNAL, 17MM	1	



HENG-X0003

<u>Ref</u>	<u>Partnumber</u>	<u>Description</u>	<u>GXV620</u>	<u>Serial Numbers</u>
001	061A1-ZJ4-000	GASKET KIT (###)	1	