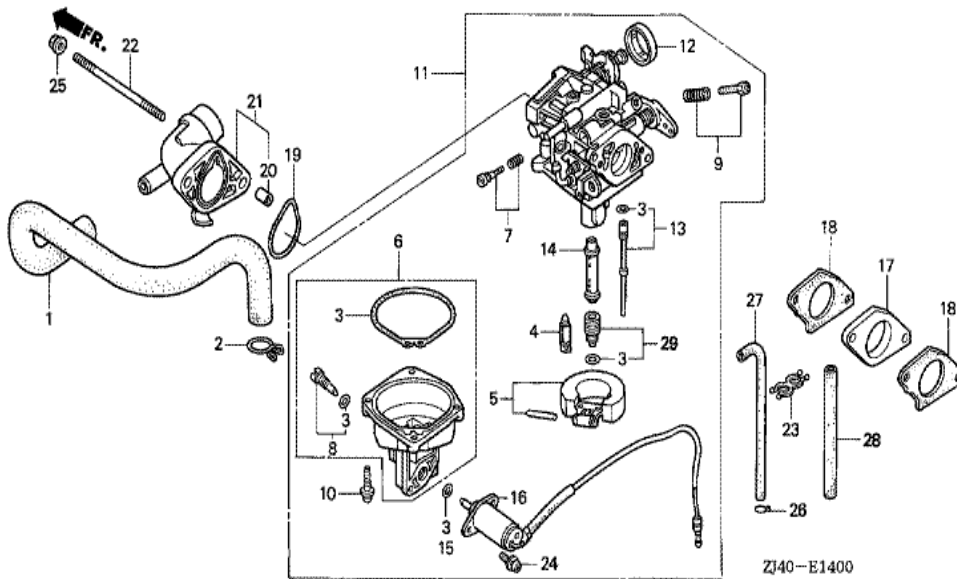
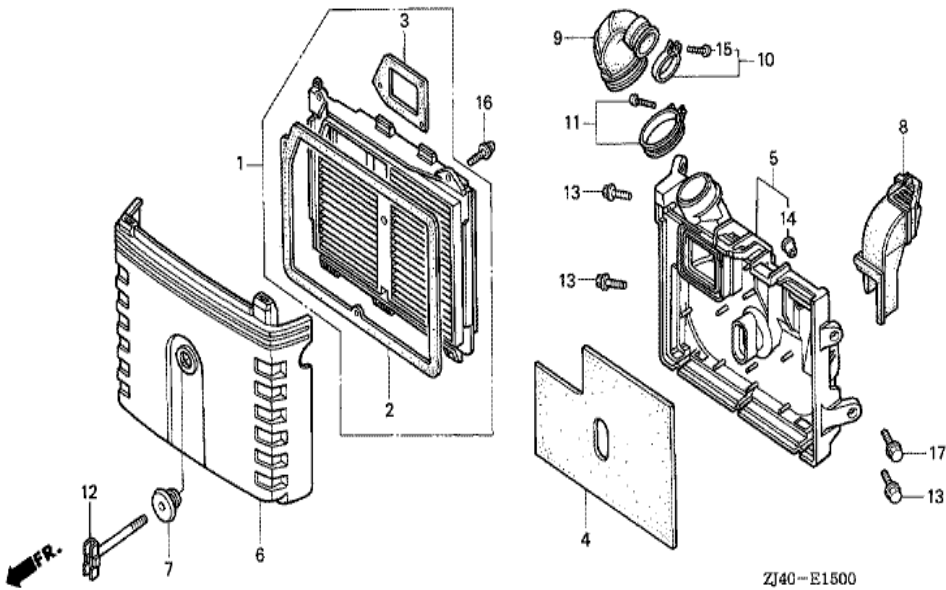


ZJ40-E1200

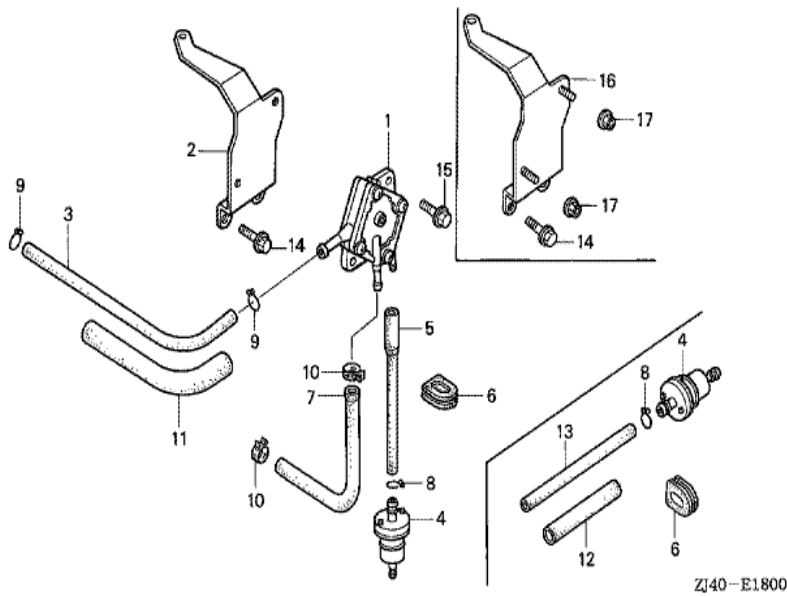
| <u>Ref</u> | <u>Partnumber</u> | <u>Description</u>         | <u>GXV610</u> | <u>Serial Numbers</u> |
|------------|-------------------|----------------------------|---------------|-----------------------|
| 001        | 18205-ZJ4-000     | PROTECTOR COMP., EX. PIPE  | 1             | 1000016               |
| 002        | 19611-ZJ1-000ZB   | COVER, FAN *R8 *           | 1             |                       |
| 002        | 19611-ZJ1-000ZC   | COVER, FAN *NH1 *          | 1             |                       |
| 004        | 19612-ZJ1-000     | PLATE, SIDE                | 1             |                       |
| 005        | 19614-ZJ1-000     | PLATE, SIDE                | 1             |                       |
| 006        | 19615-ZJ1-000     | HOOD, FAN COVER            | 1             |                       |
| 009        | 19631-ZJ1-000     | SHROUD                     | 1             |                       |
| 010        | 19632-ZJ4-000     | SHROUD, L.                 | 1             |                       |
| 012        | 30588-898-000     | CLAMP, HIGH TENSION TUBE   | 1             |                       |
| 013        | 33713-GC2-000     | COLLAR B, TAILLIGHT        | 6             |                       |
| 014        | 80115-KS5-000     | RUBBER, BRACKET MOUNTING   | 1             |                       |
| 015        | 90013-883-000     | BOLT, FLANGE, 6X12 (CT200) | 8             |                       |
| 016        | 90018-ZE1-000     | BOLT, FLANGE, 6X23 (CT200) | 2             |                       |
| <u>Ref</u> | <u>Partnumber</u> | <u>Description</u>         | <u>GXV610</u> | <u>Serial Numbers</u> |
| 017        | 90042-ZJ1-000     | BOLT, STUD, 6X73           | 2             |                       |
| 019        | 90104-GF6-000     | BOLT, FLANGE, 6X20         | 2             |                       |
| 020        | 90113-GE4-000     | BOLT, FLANGE, 6MM (BLACK)  | 2             |                       |
| 021        | 90320-MM5-000     | NUT, SPRING, 6MM           | 2             |                       |
| 022        | 94050-06000       | NUT, FLANGE, 6MM           | 4             |                       |
| 023        | 95701-0600800     | BOLT, FLANGE, 6X8          | 2             |                       |
| 024        | 95701-0801600     | BOLT, FLANGE, 8X16         | 2             | 1000016               |



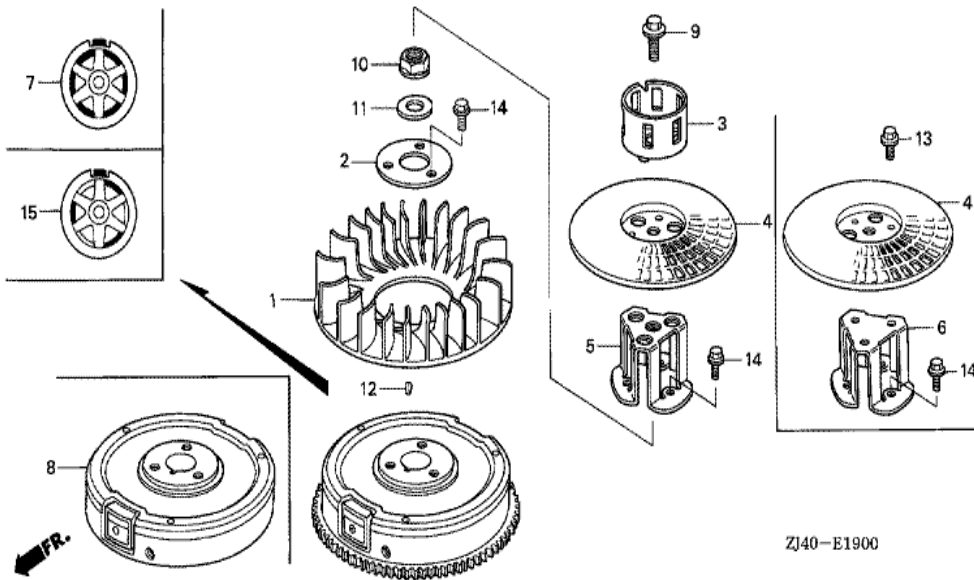
| <u>Ref</u> | <u>Partnumber</u> | <u>Description</u>              | <u>GXV610</u> | <u>Serial Numbers</u> |
|------------|-------------------|---------------------------------|---------------|-----------------------|
| 001        | 12357-ZJ4-000     | TUBE, BREATHER                  | 1             |                       |
| 002        | 15772-551-000     | CLIP, BREATHER TUBE             | 1             |                       |
| 003        | 16010-ZG8-000     | GASKET SET                      | 1             |                       |
| 004        | 16011-GK0-891     | VALVE SET, FLOAT                | 1             |                       |
| 005        | 16013-ZV4-005     | FLOAT SET                       | 1             |                       |
| 006        | 16015-ZJ1-000     | CHAMBER SET, FLOAT              | 1             |                       |
| 007        | 16016-ZJ1-010     | SCREW SET                       | 1             |                       |
| 008        | 16024-124-760     | SCREW SET, DRAIN                | 1             |                       |
| 009        | 16028-ZG8-000     | SCREW SET                       | 1             |                       |
| 010        | 16081-ZV4-650     | SCREW-WASHER                    | 4             |                       |
| 011        | 16100-ZJ4-010     | CARBURETOR ASSY. (BG23A A)      | 1             |                       |
| 012        | 16148-141-881     | CAP, CHOKE DUST                 | 1             |                       |
| 013        | 16150-ZJ4-000     | JET SET, #48                    | 1             |                       |
| <u>Ref</u> | <u>Partnumber</u> | <u>Description</u>              | <u>GXV610</u> | <u>Serial Numbers</u> |
| 014        | 16166-ZJ4-000     | NOZZLE, MAIN                    | 1             |                       |
| 015        | 16178-548-004     | O-RING, 5.8X1.9                 | 1             |                       |
| 016        | 16200-ZJ1-003     | VALVE ASSY., SOLENOID           | 1             |                       |
| 017        | 16211-ZJ1-000     | INSULATOR, CARBURETOR           | 1             |                       |
| 018        | 16221-ZG8-000     | PACKING, CARBURETOR             | 2             |                       |
| 019        | 17228-ZG8-003     | PACKING, AIR CLEANER            | 1             |                       |
| 020        | 17237-ZE3-791     | COLLAR A, AIR CLEANER           | 2             |                       |
| 021        | 17410-ZJ4-000     | ELBOW COMP., AIR CLEANER        | 1             |                       |
| 022        | 90041-147-000     | BOLT, STUD, 6X108               | 2             |                       |
| 023        | 90658-SAO-003     | CLIP, WIRE HARNESS              | 1             |                       |
| 024        | 93892-0501218     | SCREW-WASHER, 5X12              | 2             |                       |
| 025        | 94050-06000       | NUT, FLANGE, 6MM                | 2             |                       |
| 026        | 95002-02080       | CLIP, TUBE (B8)                 | 1             |                       |
| 027        | 95005-3560020     | TUBE, 3.5X600 (95005-35001-20M) | 1             |                       |
| 028        | 95005-4545020     | TUBE, 4.5X450 (95005-45001-20M) | 1             |                       |
| 029        | 99201-ZG80900     | JET SET, MAIN, #90              | (1)           |                       |
| 029        | 99201-ZG80920     | JET SET, MAIN, #92              | (1)           |                       |
| 029        | 99201-ZG80950     | JET SET, MAIN, #95              | 1             |                       |



| <u>Ref</u> | <u>Partnumber</u> | <u>Description</u>                     | <u>GXV610</u> | <u>Serial Numbers</u> |
|------------|-------------------|--|---------------|-----------------------|
| 001        | 17010-ZJ1-000     | ELEMENT SET, AIR CLEANER               | 1             |                       |
| 002        | 17216-ZJ1-000     | PACKING A, ELEMENT                     | 1             |                       |
| 003        | 17217-ZJ1-000     | PACKING B, ELEMENT                     | 1             |                       |
| 004        | 17218-ZJ1-000     | FILTER, OUTER                          | 1             |                       |
| 005        | 17220-ZJ1-000     | CASE COMP., AIR CLEANER                | 1             |                       |
| 006        | 17231-ZJ1-000     | COVER, AIR CLEANER                     | 1             |                       |
| 007        | 17232-ZJ1-000     | GROMMET, AIR CLEANER                   | 1             |                       |
| 008        | 17237-ZJ1-000     | HOSE, AIR CLEANER                      | 1             |                       |
| 009        | 17251-ZJ4-000     | TUBE, AIR CLEANER CONNECTING           | 1             |                       |
| 010        | 17255-758-000     | BAND, AIR CLEANER CONNECTING TUBE      | 1             |                       |
| 011        | 17257-HB3-000     | BAND B, AIR CLEANER                    | 1             | 1001572               |
| 011        | 95018-50250       | BAND, AIR CLEANER CONNECTING TUBE (50) | 1             | 1005091               |
| 012        | 90017-ZJ1-000     | BOLT, AIR CLEANER                      | 1             |                       |
| <u>Ref</u> | <u>Partnumber</u> | <u>Description</u>                     | <u>GXV610</u> | <u>Serial Numbers</u> |
| 013        | 90018-ZE1-000     | BOLT, FLANGE, 6X23 (CT200)             | 3             |                       |
| 014        | 90120-102-000     | COLLAR, AIR CLEANER CASE               | 4             |                       |
| 015        | 93500-040200A     | SCREW, PAN, 4X20                       | 1             |                       |
| 016        | 93891-0501608     | SCREW-WASHER, 5X16                     | 2             |                       |
| 017        | 95701-0601800     | BOLT, FLANGE, 6X18                     | 1             |                       |

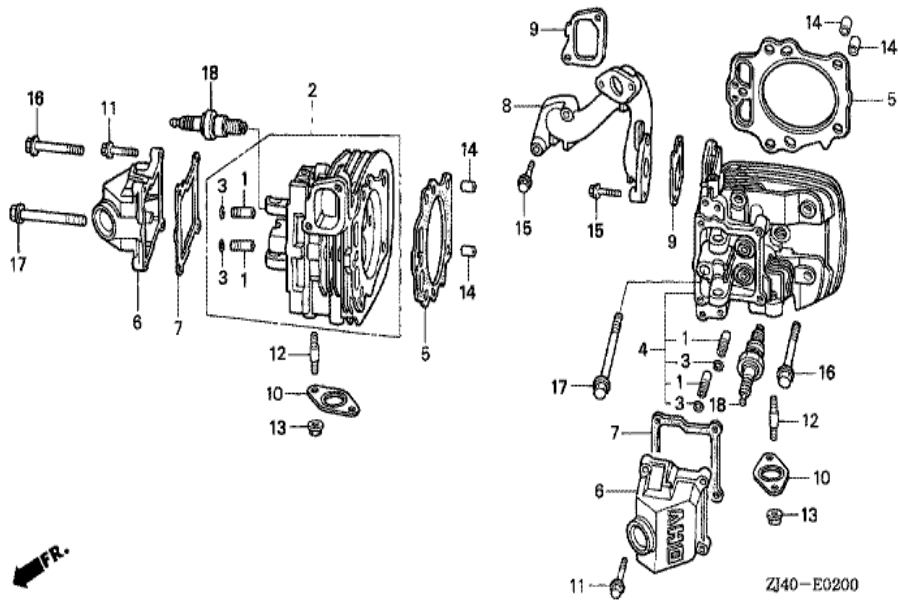


| Ref        | Partnumber        | Description                              | GXV610        | Serial Numbers        |
|------------|-------------------|--|---------------|-----------------------|
| 001        | 16700-ZJ1-003     | PUMP ASSY., FUEL                         | 1             |                       |
| 002        | 16711-ZJ4-000ZB   | STAY, FUEL PUMP *R8 *                    | 1             | 1001552               |
| 003        | 16851-ZJ4-000     | TUBE, FUEL                               | 1             |                       |
| 004        | 16910-ZE8-015     | STRAINER COMP., FUEL                     | 1             |                       |
| 005        | 16852-ZJ4-000     | TUBE B, FUEL                             | 1             | 1000712               |
| 005        | 17513-ZC3-000     | TUBE, FUEL                               | 1             | 1000711               |
| 006        | 19905-ZA8-701     | GROMMET, CORD                            | 1             |                       |
| 007        | 95001-5520540     | TUBE, FUEL, 5.3X205 (95001-55001-60M)    | 1             |                       |
| 008        | 95002-02080       | CLIP, TUBE (B8)                          | 1             |                       |
| 009        | 95002-02100       | CLIP, TUBE (B10)                         | 2             |                       |
| 010        | 95002-4105008     | CLAMP, TUBE (D10.5)                      | 2             |                       |
| 011        | 95003-3601620     | TUBE, VINYL, 11X13X160 (95003-36001-10M) | 1             |                       |
| 014        | 95701-0600800     | BOLT, FLANGE, 6X8                        | 2             |                       |
| <u>Ref</u> | <u>Partnumber</u> | <u>Description</u>                       | <u>GXV610</u> | <u>Serial Numbers</u> |
| 015        | 95701-0601400     | BOLT, FLANGE, 6X14                       | 2             | 1003060               |
| 016        | 16711-ZJ4-010ZB   | STAY, FUEL PUMP *R8 *                    | 1             | 1003061               |
| 016        | 16711-ZJ4-010ZC   | STAY, FUEL PUMP *NH1 *                   | 1             | 1003061               |
| 017        | 94050-06000       | NUT, FLANGE, 6MM                         | 2             | 1003061               |

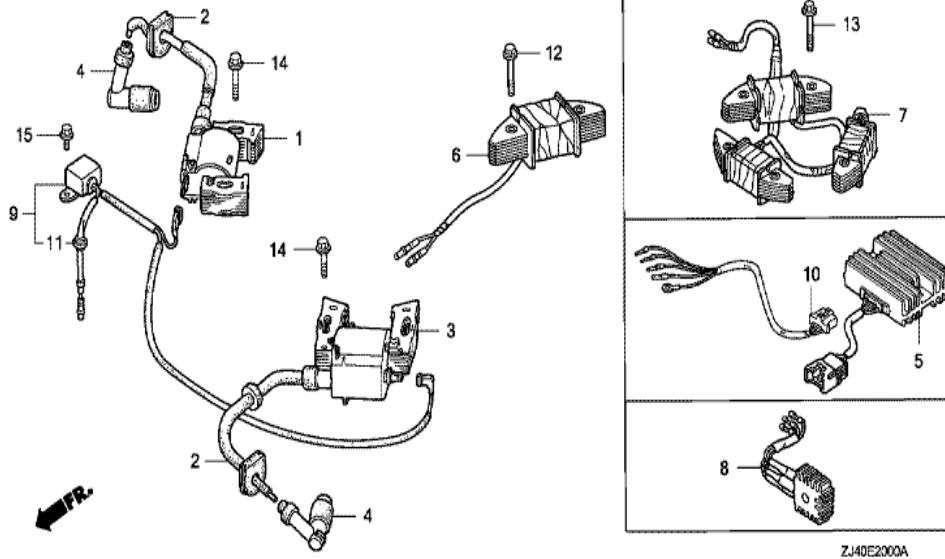


ZJ40-E1900

| Ref | Partnumber    | Description                  | GXV610 | Serial Numbers |
|-----|---------------|------------------------------|--------|----------------|
| 001 | 19511-ZJ1-000 | FAN, COOLING                 | 1      |                |
| 002 | 19513-ZJ1-000 | PLATE, COOLING FAN SETTING   | 1      |                |
| 007 | 31110-ZJ1-800 | FLYWHEEL COMP.               | 1      | 1003177        |
| 007 | 31110-ZJ1-801 | FLYWHEEL COMP.               | 1      | 1003178        |
| 010 | 90201-ZG3-000 | NUT, FLANGE, 20MM            | 1      |                |
| 011 | 90401-ZG3-000 | WASHER, 20MM                 | 1      |                |
| 012 | 90741-ZE2-000 | KEY, SPECIAL WOODRUFF, 25X18 | 1      |                |
| 014 | 95701-0801600 | BOLT, FLANGE, 8X16           | 3      |                |

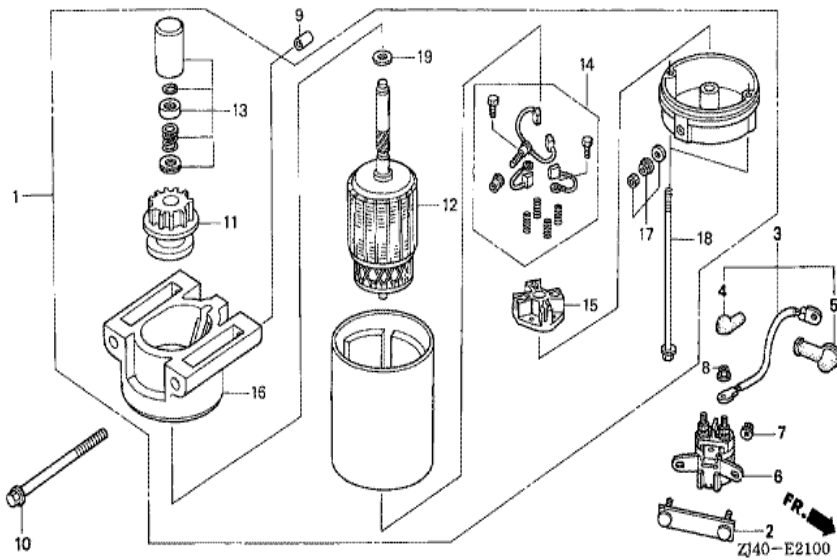


| <u>Ref</u> | <u>Partnumber</u> | <u>Description</u>         | <u>GXV610</u> | <u>Serial Numbers</u> |
|------------|-------------------|----------------------------|---------------|-----------------------|
| 001        | 12205-ZE2-305     | GUIDE, EX. VALVE (OS)      | 4             |                       |
| 002        | 12210-ZJ4-000     | HEAD COMP., CYLINDER (#1)  | 1             |                       |
| 003        | 12216-ZE2-300     | CLIP, VALVE GUIDE          | 4             |                       |
| 004        | 12220-ZJ4-000     | HEAD COMP., CYLINDER (#2)  | 1             |                       |
| 005        | 12251-ZJ1-003     | GASKET, CYLINDER HEAD      | 2             |                       |
| 006        | 12311-ZJ1-000     | COVER, HEAD                | 2             |                       |
| 007        | 12391-ZJ1-000     | PACKING, HEAD COVER        | 2             |                       |
| 008        | 17101-ZJ4-000     | MANIFOLD, INTAKE           | 1             |                       |
| 009        | 17151-ZJ1-003     | GASKET, INTAKE MANIFOLD    | 2             |                       |
| 010        | 18333-ZJ1-000     | GASKET, EX. PIPE           | 2             |                       |
| 011        | 90121-ZJ1-000     | BOLT, FLANGE, 6X25 (CT200) | 8             |                       |
| 012        | 92900-080250B     | BOLT, STUD, 8X25           | 4             |                       |
| 013        | 94050-08000       | NUT, FLANGE, 8MM           | 4             |                       |
| <u>Ref</u> | <u>Partnumber</u> | <u>Description</u>         | <u>GXV610</u> | <u>Serial Numbers</u> |
| 014        | 94301-12200       | DOWEL PIN, 12X20           | 4             |                       |
| 015        | 95701-0603200     | BOLT, FLANGE, 6X32         | 4             |                       |
| 016        | 95701-1007500     | BOLT, FLANGE, 10X75        | 8             |                       |
| 017        | 95701-1013000     | BOLT, FLANGE, 10X130       | 2             |                       |
| 018        | 98079-55846       | PLUG, SPARK (BPR5ES) (NGK) | 2             |                       |



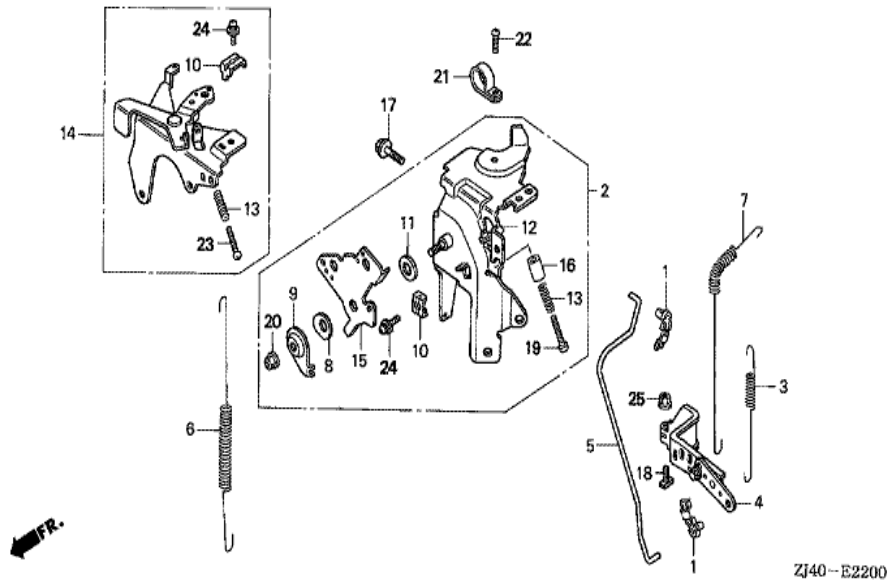
ZJ40E2000A

| Ref | Partnumber    | Description                     | GXV610 | Serial Numbers |
|-----|---------------|---------------------------------|--------|----------------|
| 001 | 30500-ZJ1-013 | COIL ASSY., IGNITION            | 1      |                |
| 002 | 30518-ZJ1-000 | GROMMET, HIGH TENSION CORD      | 2      |                |
| 003 | 30550-ZJ1-003 | COIL ASSY., IGNITION            | 1      | 1000960        |
| 003 | 30550-ZJ1-013 | COIL ASSY., IGNITION            | 1      | 1000961        |
| 004 | 30700-ZJ1-003 | CAP ASSY., NOISE SUPPRESSOR     | 2      |                |
| 005 | 31620-ZG5-003 | RECTIFIER ASSY., REGULATOR(20A) | 1      |                |
| 007 | 31630-ZJ1-801 | COIL ASSY., CHARGE (12V/20A)    | 1      |                |
| 009 | 31740-ZJ1-003 | DIODE ASSY., ENGINE STOP        | 1      |                |
| 011 | 63312-ZA7-000 | GROMMET, TOOL                   | 1      |                |
| 013 | 90031-ZE1-000 | BOLT, FLANGE, 6X32              | 6      |                |
| 014 | 90121-952-000 | BOLT, FLANGE, 6X25 (CT200)      | 2      |                |
| 015 | 95701-0600800 | BOLT, FLANGE, 6X8               | 1      |                |



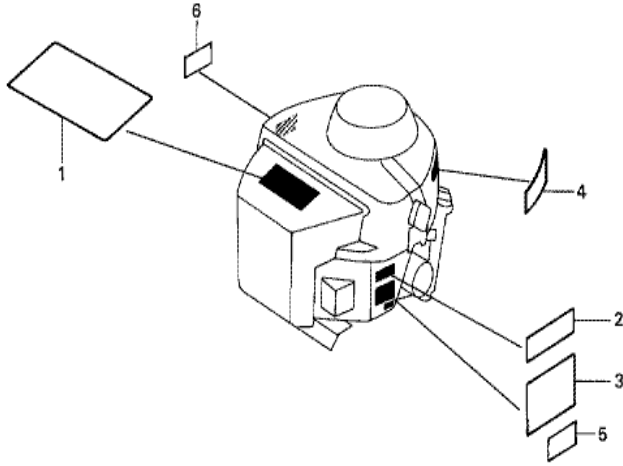
| <u>Ref</u> | <u>Partnumber</u> | <u>Description</u>                | <u>GXV610</u> | <u>Serial Numbers</u> |
|------------|-------------------|-----------------------------------|---------------|-----------------------|
| 001        | 31200-ZJ4-003     | MOTOR ASSY., STARTER              | 1             |                       |
| 002        | 31243-ZJ1-800     | BRACKET, STARTER MAGNETIC SETTING | (1)           |                       |
| 003        | 32402-ZJ1-810     | CORD, MAGNET SWITCH               | (1)           |                       |
| 004        | 32411-KB9-930     | COVER A, MAGNETIC SWITCH          | (1)           |                       |
| 005        | 32411-402-000     | COVER, STARTING MOTOR TERMINAL    | (1)           |                       |
| 006        | 35850-ZJ1-811     | SWITCH ASSY., STARTER MAGNETIC    | (1)           |                       |
| 007        | 94050-06000       | NUT, FLANGE, 6MM                  | (2)           |                       |
| 008        | 94070-06080       | NUT-WASHER, 6MM                   | (2)           |                       |
| 009        | 94301-10120       | DOWEL PIN, 10X12                  | 2             |                       |
| 010        | 95701-0811000     | BOLT, FLANGE, 8X110               | 2             |                       |
| 011        | 31213-ZJ1-004     | GEAR SET, PINION                  | 1             |                       |
| 012        | 31217-ZJ1-004     | ARMATURE COMP. (###)              | 1             |                       |
| 013        | 31225-ZJ1-004     | STOPPER SET, PINION               | 1             |                       |
| <u>Ref</u> | <u>Partnumber</u> | <u>Description</u>                | <u>GXV610</u> | <u>Serial Numbers</u> |
| 014        | 31226-ZJ1-004     | BRUSH SET                         | 1             |                       |
| 015        | 31231-ZJ1-004     | HOLDER COMP., BRUSH               | 1             |                       |
| 016        | 31235-ZJ1-004     | BRACKET COMP., FR. (###)          | 1             |                       |
| 017        | 31237-ZJ1-004     | NUT SET, TERMINAL                 | 1             |                       |
| 018        | 31261-ZJ1-004     | BOLT, THROUGH                     | 2             |                       |
| 019        | 90407-ZJ1-004     | WASHER, THRUST                    | 1             |                       |





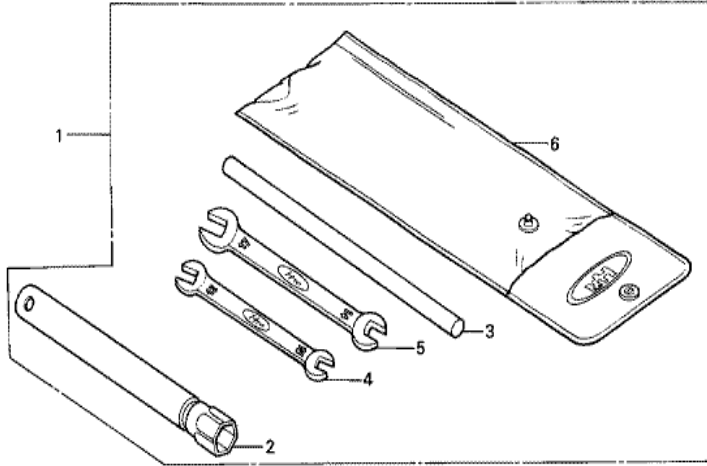
ZJ40-E2200

| <u>Ref</u> | <u>Partnumber</u> | <u>Description</u>                 | <u>GXV610</u> | <u>Serial Numbers</u> |
|------------|-------------------|------------------------------------|---------------|-----------------------|
| 001        | 16263-ZJ4-003     | JOINT, ROD                         | 2             |                       |
| 002        | 16500-ZJ4-810     | CONTROL ASSY. (REMOTE)             | 1             |                       |
| 003        | 16534-ZJ1-000     | SPRING, STARTER                    | 1             |                       |
| 004        | 16550-ZJ4-000     | ARM COMP., GOVERNOR                | 1             |                       |
| 005        | 16555-ZJ4-000     | ROD, GOVERNOR                      | 1             |                       |
| 006        | 16561-ZJ1-000     | SPRING, GOVERNOR                   | 1             |                       |
| 007        | 16562-ZJ4-000     | SPRING, THROTTLE RETURN            | 1             |                       |
| 008        | 16574-ZE1-000     | SPRING, LEVER                      | 1             |                       |
| 009        | 16575-ZH8-000     | WASHER, CONTROL LEVER              | 1             |                       |
| 010        | 16576-891-000     | HOLDER, CABLE                      | 2             |                       |
| 011        | 16578-ZE1-000     | SPACER, CONTROL LEVER              | 1             |                       |
| 012        | 16580-ZJ4-000     | BASE COMP., CONTROL                | 1             |                       |
| 013        | 16584-883-300     | SPRING, CONTROL ADJUSTING          | 2             |                       |
| <u>Ref</u> | <u>Partnumber</u> | <u>Description</u>                 | <u>GXV610</u> | <u>Serial Numbers</u> |
| 014        | 16590-ZJ4-810     | STAY ASSY., CHOKE CONTROL (REMOTE) | 1             |                       |
| 015        | 16596-ZJ1-000     | LEVER, WIRE                        | 1             |                       |
| 017        | 90013-883-000     | BOLT, FLANGE, 6X12 (CT200)         | 2             |                       |
| 018        | 90015-ZE3-790     | BOLT, GOVERNOR ARM                 | 1             |                       |
| 019        | 93500-050250H     | SCREW, PAN, 5X25                   | 1             |                       |
| 020        | 90114-SAO-000     | NUT, SELF-LOCK, 6MM                | 1             |                       |
| 021        | 90612-ZJ4-000     | CLAMP (D17.5)                      | 1             |                       |
| 022        | 93500-050120A     | SCREW, PAN, 5X12                   | 1             |                       |
| 023        | 93500-050250H     | SCREW, PAN, 5X25                   | 1             |                       |
| 024        | 93893-0501600     | SCREW-WASHER, 5X16                 | 2             |                       |
| 025        | 94050-06000       | NUT, FLANGE, 6MM                   | 1             |                       |



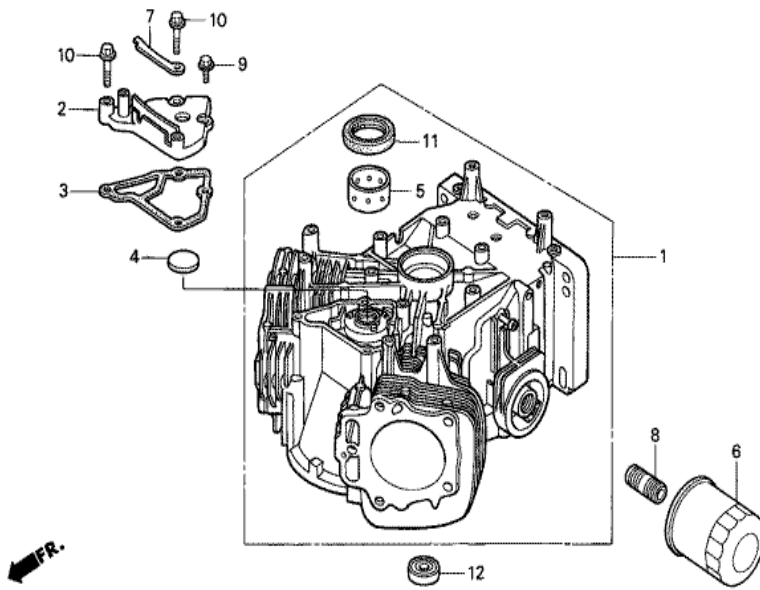
ZJ40-E2800

| <u>Ref</u> | <u>Partnumber</u> | <u>Description</u>            | <u>GXV610</u> | <u>Serial Numbers</u> |
|------------|-------------------|-------------------------------|---------------|-----------------------|
| 001        | 87101-ZJ4-000     | EMBLEM (GXV610)               | 1             |                       |
| 002        | 87152-ZJ4-000     | LABEL, SPECIFICATION (GXV610) | 1             |                       |
| 003        | 87522-ZJ1-000     | LABEL, CAUTION                | 1             |                       |
| 005        | 87586-ZH7-W00     | LABEL, FUEL CAUTION           | 2             | 1001093               |



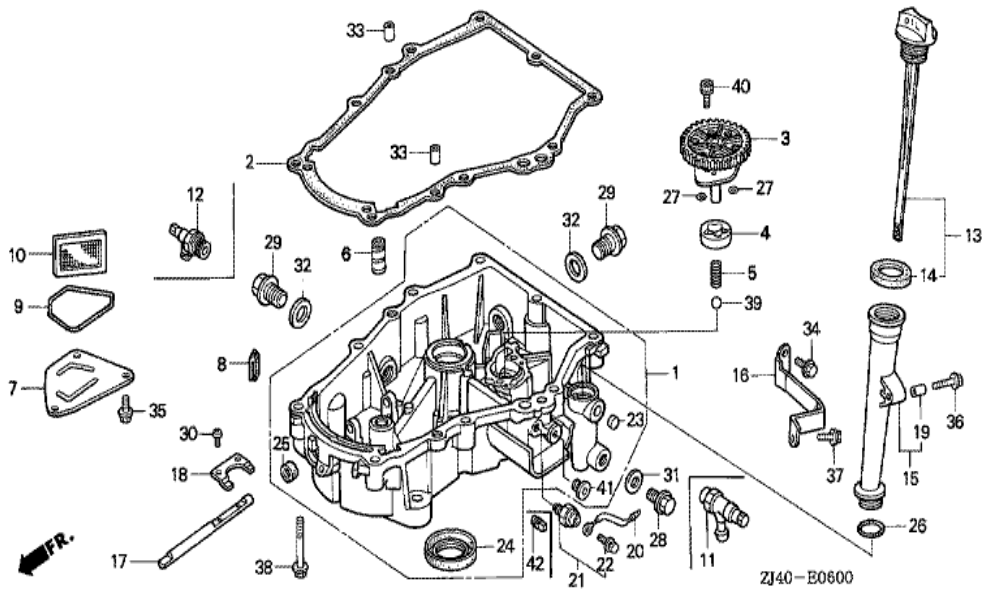
ZJ40-E2900

| Ref | Partnumber    | Description              | GXV610 | Serial Numbers |
|-----|---------------|--------------------------|--------|----------------|
| 001 | 89000-ZE1-000 | TOOL KIT                 | (1)    |                |
| 002 | 89218-ZE1-000 | WRENCH COMP., SPARK PLUG | (1)    |                |
| 003 | 89219-805-000 | HANDLE, BOX WRENCH       | (1)    |                |
| 004 | 99001-10120   | SPANNER, 10X12           | (1)    |                |
| 005 | 99001-14170   | SPANNER, 14X17           | (1)    |                |
| 006 | 99008-02300   | BAG, TOOL, 230MM         | (1)    |                |



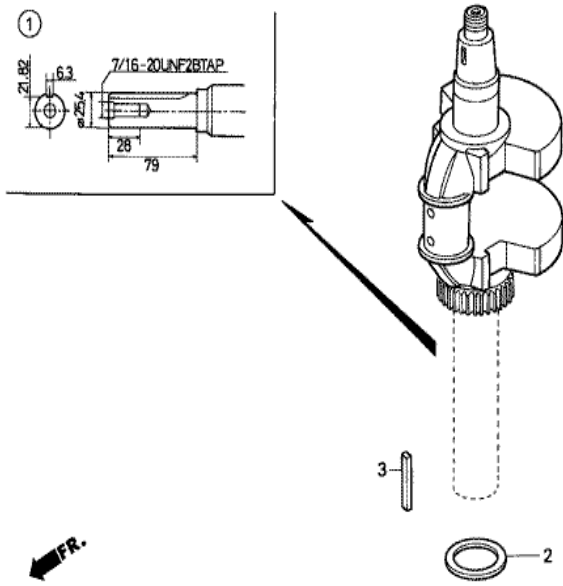
ZJ40-E0300

| <u>Ref</u> | <u>Partnumber</u> | <u>Description</u>                | <u>GXV610</u> | <u>Serial Numbers</u> |
|------------|-------------------|-----------------------------------|---------------|-----------------------|
| 001        | 12000-ZJ1-000     | BARREL ASSY., CYLINDER            | 1             |                       |
| 002        | 12356-ZJ1-000     | COVER, BREATHER                   | 1             |                       |
| 003        | 12358-ZJ1-000     | PACKING, BREATHER COVER           | 1             |                       |
| 004        | 12372-ZE2-300     | VALVE, BREATHER                   | 1             |                       |
| 005        | 13321-ZJ1-000     | BEARING A, MAIN (BLUE)            | 1             |                       |
| 005        | 13322-ZJ1-000     | BEARING B, MAIN (BLACK)           | 1             |                       |
| 005        | 13323-ZJ1-000     | BEARING C, MAIN (BROWN)           | 1             |                       |
| 006        | 15400-ZJ1-004     | CARTRIDGE, OIL FILTER (TOYO ROKI) | 1             |                       |
| 007        | 31511-ZJ1-000     | CLAMPER, CORD                     | 1             |                       |
| 008        | 90018-PN3-000     | HOLDER, OIL FILTER                | 1             |                       |
| 009        | 90029-888-000     | BOLT, FLANGE, 6X16 (CT200)        | 2             |                       |
| 010        | 90031-ZE1-000     | BOLT, FLANGE, 6X32                | 2             |                       |
| 011        | 91201-ZJ1-003     | OIL SEAL, 38X58X11                | 1             |                       |
| <u>Ref</u> | <u>Partnumber</u> | <u>Description</u>                | <u>GXV610</u> | <u>Serial Numbers</u> |
| 012        | 96140-6003010     | BEARING, RADIAL BALL, 6003        | 1             |                       |



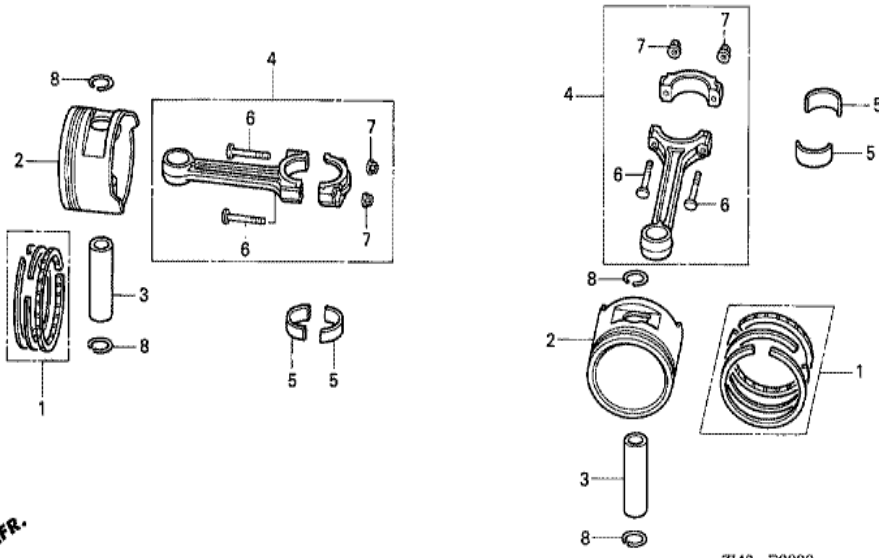
| Ref | Partnumber    | Description                       | GXV610 | Serial Numbers |
|-----|---------------|-----------------------------------|--------|----------------|
| 001 | 11300-ZJ4-000 | PAN ASSY., OIL                    | 1      |                |
| 002 | 11381-ZJ1-000 | PACKING, CASE COVER               | 1      |                |
| 003 | 15120-ZJ1-000 | COVER ASSY., OIL PUMP (TWO BOLTS) | 1      |                |
| 004 | 15124-ZJ1-003 | ROTOR, OIL PUMP OUTER             | 1      |                |
| 005 | 15232-ZJ1-000 | SPRING, RELIEF VALVE              | 1      |                |
| 006 | 15235-ZJ4-000 | SHAFT, OIL CONTROL                | 1      |                |
| 007 | 15334-ZJ4-000 | PLATE, OIL FILTER                 | 1      |                |
| 008 | 15335-ZE7-000 | RUBBER, OIL RETURN                | 2      |                |
| 009 | 15339-ZJ4-000 | O-RING, OIL PLATE                 | 1      |                |
| 010 | 15427-ZG8-000 | SCREEN, OIL FILTER                | 1      |                |
| 011 | 15558-ZJ1-003 | VALVE, OIL SHUT-OFF               | (1)    |                |
| 012 | 15558-772-010 | VALVE, OIL SHUT-OFF               | (1)    |                |
| 013 | 15600-ZJ4-000 | CAP ASSY., OIL FILLER             | 1      |                |

| <u>Ref</u> | <u>Partnumber</u> | <u>Description</u>         | <u>GXV610</u> | <u>Serial Numbers</u> |
|------------|-------------------|----------------------------|---------------|-----------------------|
| 014        | 15625-ZE8-000     | PACKING, OIL FILLER CAP    | 1             |                       |
| 015        | 15630-ZE8-000     | EXTENSION, OIL FILLER      | 1             |                       |
| 016        | 15646-ZJ4-000     | STAY, OIL FILLER EXTENSION | 1             |                       |
| 017        | 16541-ZJ1-000     | SHAFT, GOVERNOR ARM        | 1             |                       |
| 018        | 16542-ZJ1-000     | FORK, GOVERNOR             | 1             |                       |
| 019        | 17240-ZE6-000     | COLLAR, EXTENSION          | 1             |                       |
| 020        | 37201-ZJ4-000     | CORD, OIL PRESSURE SWITCH  | 1             |                       |
| 021        | 37240-ZG3-E01     | SWITCH, OIL PRESSURE       | 1             |                       |
| 022        | 90002-ZG5-004     | SCREW-WASHER, 4X8          | 1             |                       |
| 023        | 90855-921-300     | PLUG, SEALING, 10MM        | 1             |                       |
| 024        | 91201-ZJ1-003     | OIL SEAL, 38X58X11         | 1             |                       |
| 025        | 91202-HC0-003     | OIL SEAL, 10X20X5 (ARAI)   | 1             |                       |
| 026        | 91301-ZE9-003     | O-RING, 22.1X2.2           | 1             |                       |
| 027        | 91302-MB6-830     | O-RING, 13X3.0             | 2             |                       |
| 028        | 92800-14000       | BOLT, DRAIN PLUG, 14MM     | 1             |                       |
| 029        | 92800-20000       | BOLT, DRAIN PLUG, 20MM     | 2             |                       |
| 030        | 93500-050100A     | SCREW, PAN, 5X10           | 2             |                       |
| 031        | 94109-14000       | WASHER, DRAIN PLUG, 14MM   | 1             |                       |
| 032        | 94109-20000       | WASHER, DRAIN PLUG, 20MM   | 2             |                       |
| 033        | 94301-08140       | DOWEL PIN, 8X14            | 2             |                       |
| 034        | 95701-0601200     | BOLT, FLANGE, 6X12         | 1             |                       |
| 035        | 95701-0601400     | BOLT, FLANGE, 6X14         | 3             |                       |
| 036        | 95701-0602800     | BOLT, FLANGE, 6X28         | 1             |                       |
| 037        | 95701-0801600     | BOLT, FLANGE, 8X16         | 1             |                       |
| 038        | 95701-0805000     | BOLT, FLANGE, 8X50         | 9             |                       |
| 039        | 96211-12000       | BALL, STEEL, #12 (3/8)     | 1             |                       |
| 040        | 96600-0601600     | BOLT, SOCKET, 6X16         | 2             |                       |
| 041        | 90007-ZG8-300     | BOLT, SEALING, 12MM        | 1             |                       |



ZJ40-E0700

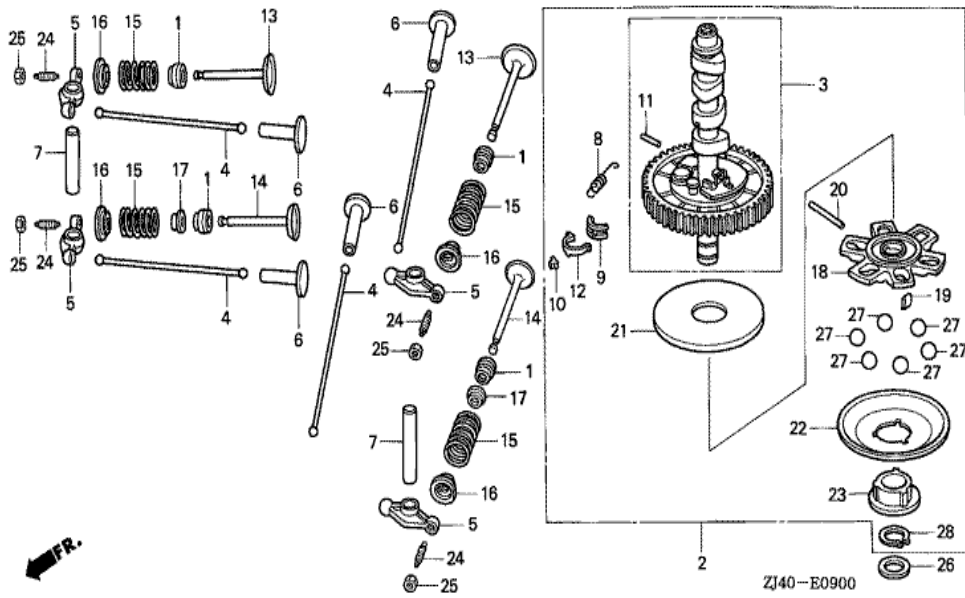
| Ref | Partnumber    | Description                              | GXV610 | Serial Numbers |
|-----|---------------|--|--------|----------------|
| 001 | 13310-ZJ4-000 | CRANKSHAFT COMP.                         | 1      |                |
| 002 | 90401-ZJ1-000 | WASHER, CRANKSHAFT THRUST (38.5X54.0X1.0 | 1      |                |
| 003 | 90745-ZE2-600 | KEY, 6.3X6.3X43                          | (1)    |                |



ZJ40-E0800

| Ref | Partnumber    | Description                        | GXV610 | Serial Numbers |
|-----|---------------|------------------------------------|--------|----------------|
| 001 | 13010-ZE8-601 | RING SET, PISTON (STD.) (NIPPON)   | 2      |                |
| 001 | 13010-ZE8-602 | RING SET, PISTON (STD.) (TEIKOKU)  | 2      |                |
| 001 | 13011-ZE8-601 | RING SET, PISTON (0.25) (NIPPON)   | (2)    |                |
| 001 | 13011-ZE8-602 | RING SET, PISTON (0.25) (TEIKOKU)  | (2)    |                |
| 001 | 13012-ZE8-601 | RING SET, PISTON (0.50) (NIPPON)   | (2)    |                |
| 001 | 13012-ZE8-602 | RING SET, PISTON (0.50) (TEIKOKU)  | (2)    |                |
| 001 | 13013-ZE8-601 | RING SET, PISTON (0.75) (NIPPON)   | (2)    |                |
| 001 | 13013-ZE8-602 | RING SET, PISTON (0.75) (TEIKOKU)  | (2)    |                |
| 002 | 13101-ZJ1-000 | PISTON (STD.)                      | 2      |                |
| 002 | 13102-ZJ1-000 | PISTON (0.25)                      | (2)    |                |
| 002 | 13103-ZJ1-000 | PISTON (0.50)                      | (2)    |                |
| 002 | 13104-ZJ1-000 | PISTON (0.75)                      | (2)    |                |
| 003 | 13111-ZJ1-000 | PIN, PISTON                        | 2      |                |
| Ref | Partnumber    | Description                        | GXV610 | Serial Numbers |
| 004 | 13210-ZJ1-000 | ROD SET, CONNECTING                | 2      |                |
| 005 | 13211-ZJ1-003 | BEARING A, CONNECTING ROD (BLUE)   | 4      |                |
| 005 | 13212-ZJ1-003 | BEARING B, CONNECTING ROD (BLACK)  | 4      |                |
| 005 | 13213-ZJ1-003 | BEARING C, CONNECTING ROD (BROWN)  | 4      |                |
| 005 | 13214-ZJ1-003 | BEARING D, CONNECTING ROD (GREEN)  | 4      |                |
| 005 | 13215-ZJ1-003 | BEARING E, CONNECTING ROD (YELLOW) | 4      |                |
| 005 | 13216-ZJ1-003 | BEARING F, CONNECTING ROD (PINK)   | 4      |                |
| 005 | 13217-ZJ1-003 | BEARING G, CONNECTING ROD (RED)    | 4      |                |
| 006 | 13213-ML0-000 | BOLT, CONNECTING ROD               | 4      |                |
| 007 | 13215-KM3-000 | NUT, CONNECTING ROD                | 4      |                |
| 008 | 90551-ZE1-000 | CLIP, PISTON PIN, 18MM             | 4      |                |





| Ref | Partnumber    | Description            | GXV610 | Serial Numbers |
|-----|---------------|------------------------|--------|----------------|
| 001 | 12209-ZE8-003 | SEAL, VALVE STEM       | 4      |                |
| 002 | 14100-ZJ1-801 | CAMSHAFT ASSY.         | 1      |                |
| 003 | 14110-ZJ1-801 | CAMSHAFT COMP.         | 1      |                |
| 004 | 14410-ZJ1-000 | ROD, PUSH              | 4      |                |
| 005 | 14431-ZJ1-000 | ARM, VALVE ROCKER      | 4      |                |
| 006 | 14441-ZE2-000 | LIFTER, VALVE          | 4      |                |
| 007 | 14461-ZJ4-000 | SHAFT, ROCKER ARM      | 2      |                |
| 008 | 14568-ZJ1-800 | SPRING, WEIGHT RETURN  | 1      |                |
| 009 | 14569-ZJ1-801 | HOLDER, DECOMPER PIN   | 2      |                |
| 010 | 14576-ZJ1-800 | PIN A, DECOMPER (7.85) | 2      |                |
| 010 | 14577-ZJ1-800 | PIN B, DECOMPER (7.95) | 2      |                |
| 010 | 14578-ZJ1-800 | PIN C, DECOMPER (8.05) | 2      |                |
| 010 | 14579-ZJ1-800 | PIN D, DECOMPER (8.15) | 2      |                |

| <u>Ref</u> | <u>Partnumber</u> | <u>Description</u>            | <u>GXV610</u> | <u>Serial Numbers</u> |
|------------|-------------------|-------------------------------|---------------|-----------------------|
| 010        | 14580-ZJ1-800     | PIN E, DECOMPER (8.25)        | 2             |                       |
| 011        | 14581-ZJ1-801     | ROD, DECOMPER                 | 1             |                       |
| 012        | 14586-ZJ1-800     | SPRING, DECOMPER PIN HOLDER   | 2             |                       |
| 013        | 14711-ZJ1-000     | VALVE, IN.                    | 2             |                       |
| 014        | 14721-ZJ1-000     | VALVE, EX.                    | 2             |                       |
| 015        | 14751-ZE2-003     | SPRING, VALVE                 | 4             |                       |
| 016        | 14771-ZE2-000     | RETAINER, IN. VALVE SPRING    | 4             |                       |
| 017        | 14775-ZE2-010     | SEAT, VALVE SPRING            | 2             |                       |
| 018        | 16512-ZJ1-000     | HOLDER, GOVERNOR WEIGHT       | 1             |                       |
| 019        | 16522-ZJ1-000     | PLATE, GOVERNOR WEIGHT HOLDER | 1             |                       |
| 020        | 16523-ZJ1-000     | PIN, GOVERNOR WEIGHT HOLDER   | 1             |                       |
| 021        | 16524-ZJ1-000     | PLATE, GOVERNOR BOTTOM        | 1             |                       |
| 022        | 16529-ZJ1-000     | PLATE, GOVERNOR SLIDER        | 1             |                       |
| 023        | 16531-ZJ1-003     | SLIDER, GOVERNOR              | 1             |                       |
| 024        | 90012-415-000     | SCREW, TAPPET ADJUSTING       | 4             |                       |
| 025        | 90206-250-000     | NUT, TAPPET ADJUSTING         | 4             |                       |
| 026        | 90446-357-000     | WASHER, THRUST, 17.2MM        | 1             |                       |
| 027        | 90901-ZJ1-003     | BALL, STEEL, 18               | 6             |                       |
| 028        | 94510-17000       | CIRCLIP, EXTERNAL, 17MM       | 1             |                       |



HENG-X0003

| <u>Ref</u> | <u>Partnumber</u> | <u>Description</u> | <u>GXV610</u> | <u>Serial Numbers</u> |
|------------|-------------------|--------------------|---------------|-----------------------|
| 001        | 061A1-ZJ4-000     | GASKET KIT (###)   | 1             |                       |