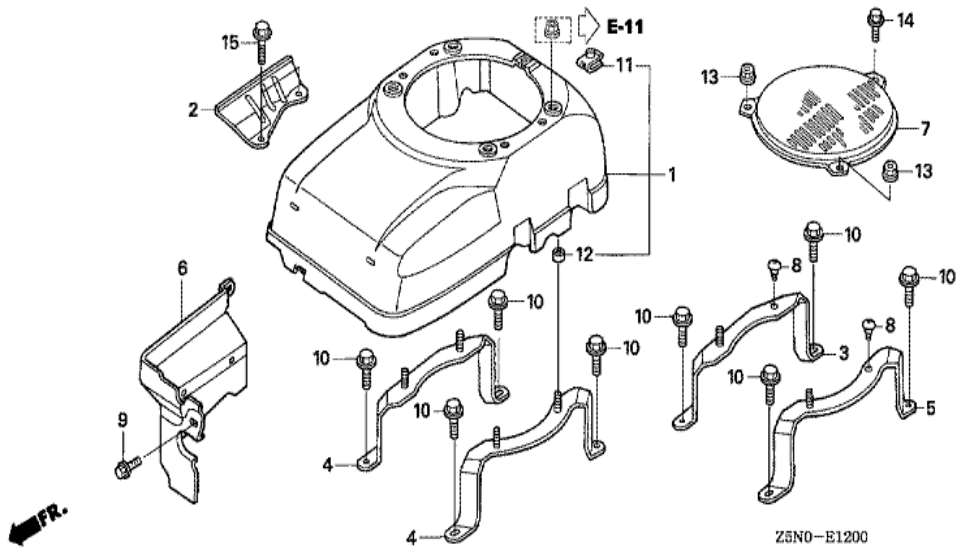
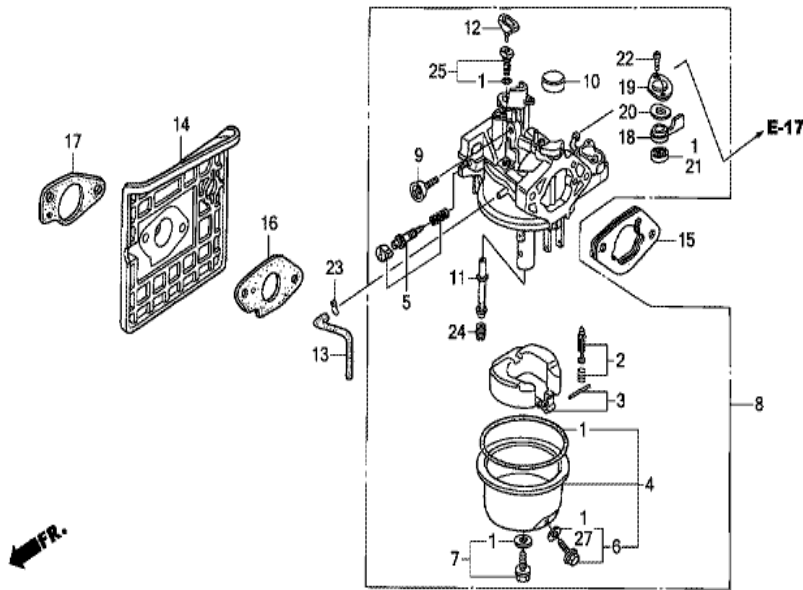


| Ref | Partnumber | Description | GXV340RT2 | Serial Numbers |
|-----|-----------------|------------------------------------|-----------|----------------|
| 001 | 28400-ZE3-W01ZP | STARTER ASSY., RECOIL *R280 * | 1 | |
| 001 | 28400-ZE3-W01ZP | STARTER ASSY., RECOIL *R280 * | 1 | 1030152 |
| 001 | 28400-ZE3-W02ZP | STARTER ASSY., RECOIL *R280* | 1 | 1030153 |
| 002 | 28410-ZE3-W01ZP | CASE COMP., RECOIL STARTER *R280 * | 1 | |
| 002 | 28410-ZE3-W01ZP | CASE COMP., RECOIL STARTER *R280 * | 1 | |
| 003 | 28421-ZE3-W01 | PULLEY, RECOIL STARTER | 1 | |
| 004 | 28422-ZE2-W01 | RATCHET, STARTER | 2 | |
| 005 | 28441-ZE2-W01 | SPRING, FRICTION | 1 | |
| 006 | 28442-ZE2-W01 | SPRING, STARTER RETURN | 1 | |
| 007 | 28443-ZE2-W01 | SPRING, RATCHET | 2 | |
| 008 | 28444-ZE2-W01 | RETAINER, SPRING | 1 | |
| 009 | 28461-ZE2-W02 | GRIP, STARTER | 1 | 1030152 |
| 009 | 28461-ZE2-W03 | GRIP, STARTER | 1 | 1030153 |
| Ref | Partnumber | Description | GXV340RT2 | Serial Numbers |
| 010 | 28462-ZE3-W01 | ROPE, RECOIL STARTER | 1 | |
| 011 | 90004-ZE2-W01 | SCREW, CENTER | 1 | |
| 012 | 94050-06000 | NUT, FLANGE, 6MM | 4 | |

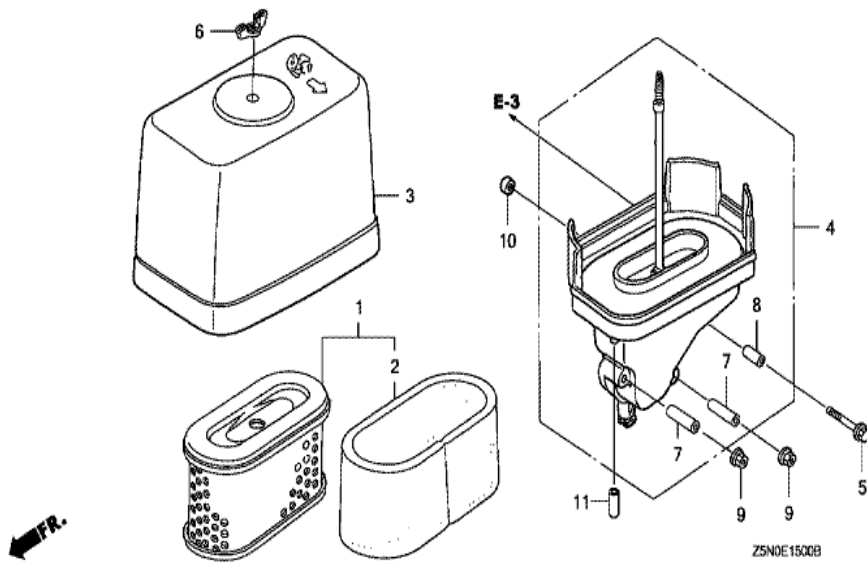


| Ref | Partnumber | Description | GXV340RT2 | Serial Numbers |
|-----|-----------------|----------------------------|-----------|----------------|
| 001 | 19610-ZF5-V21ZC | COVER COMP., FAN *R280 * | 1 | |
| 001 | 19610-ZF5-V21ZC | COVER COMP., FAN *R280 * | 1 | |
| 002 | 19612-ZF5-010 | PLATE, SIDE | 1 | |
| 004 | 19617-ZF5-V00 | BRACKET, FAN COVER | 2 | |
| 010 | 90029-888-000 | BOLT, FLANGE, 6X16 (CT200) | 4 | |
| 012 | 91501-ZF5-V00 | COLLAR, FAN COVER | 2 | |
| 012 | 91501-ZF5-V00 | COLLAR, FAN COVER | 4 | |
| 015 | 95701-0802008 | BOLT, FLANGE, 8X20 | 2 | |

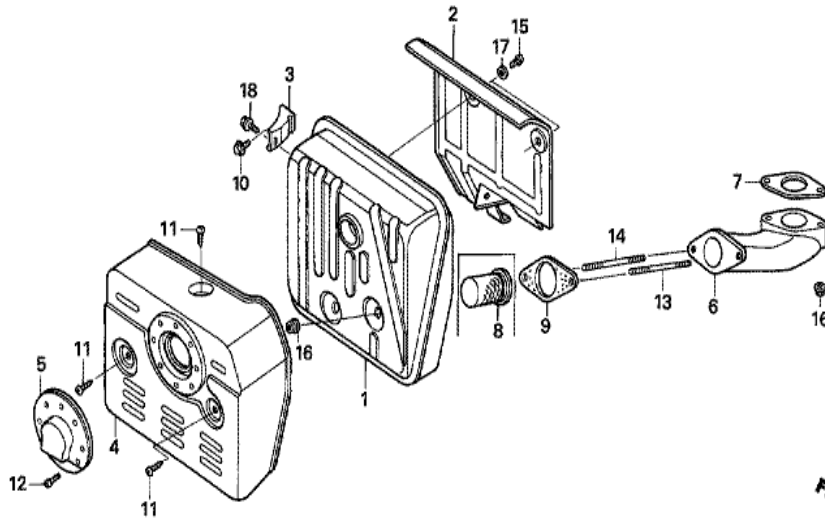


Z5N0E1400B

| Ref | Partnumber | Description | GXV340RT2 | Serial Numbers |
|-----|---------------|----------------------------|-----------|----------------|
| 001 | 16010-ZE2-015 | GASKET SET | 1 | |
| 002 | 16011-ZA0-931 | VALVE SET, FLOAT | 1 | |
| 003 | 16013-Z1C-003 | FLOAT SET | 1 | |
| 004 | 16015-ZE8-005 | CHAMBER SET, FLOAT | 1 | |
| 005 | 16016-ZH7-W01 | SCREW SET, PILOT | 1 | |
| 006 | 16024-ZE1-811 | SCREW SET, DRAIN | 1 | |
| 007 | 16028-ZE0-005 | SCREW SET | 1 | |
| 008 | 16100-Z1F-W01 | CARBURETOR ASSY. (BE81H A) | 1 | 1046840 |
| 008 | 16100-Z5N-801 | CARBURETOR ASSY. (BE81M A) | 1 | 1046841 |
| 009 | 16124-ZE0-005 | SCREW, THROTTLE STOP | 1 | |
| 010 | 16148-141-881 | CAP, CHOKE DUST | 1 | |
| 011 | 16166-ZE9-W01 | NOZZLE, MAIN | 1 | |
| 012 | 16172-ZE3-W10 | COLLAR, SETTING | 1 | |
| Ref | Partnumber | Description | GXV340RT2 | Serial Numbers |
| 013 | 16199-ZE8-000 | TUBE, AIR VENT (75MM) | 1 | |
| 014 | 16211-ZE9-601 | INSULATOR, CARBURETOR | 1 | |
| 015 | 16220-ZA0-702 | SPACER COMP., CARBURETOR | 1 | |
| 016 | 16221-Z8T-000 | PACKING, CARBURETOR | 1 | 1036816 |
| 016 | 16221-ZE3-800 | PACKING, CARBURETOR | 1 | 1036815 |
| 017 | 16223-ZE9-800 | PACKING, INSULATOR | 1 | |
| 018 | 16953-ZE1-712 | LEVER, COCK | 1 | |
| 019 | 16954-ZE1-812 | PLATE, LEVER SETTING | 1 | |
| 020 | 16956-ZE1-811 | SPRING, COCK LEVER | 1 | |
| 021 | 16957-ZE1-812 | PACKING, FUEL COCK | 1 | |
| 022 | 93500-030061H | SCREW, PAN, 3X6 | 2 | |
| 023 | 95002-02080 | CLIP, TUBE (B8) | 1 | |
| 024 | 99101-ZH80880 | JET, MAIN, #88 | (1) | |
| 024 | 99101-ZH80900 | JET, MAIN, #90 | (1) | |
| 024 | 99101-ZH80900 | JET, MAIN, #90 | (1) | |
| 024 | 99101-ZH80920 | JET, MAIN, #92 | 1 | |
| 024 | 99101-ZH80920 | JET, MAIN, #92 | 1 | |
| 025 | 99204-ZE00380 | JET SET, PILOT, #38 | 1 | |

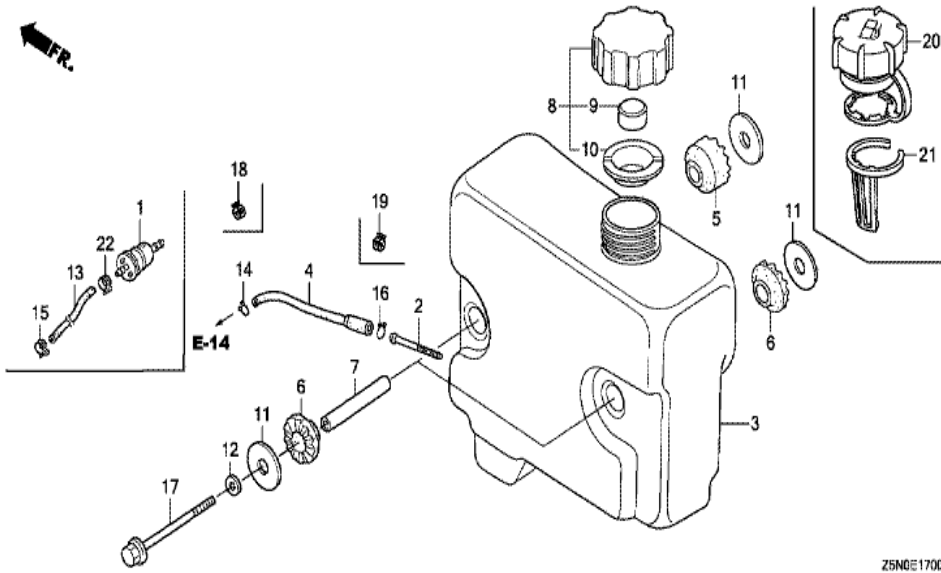


| Ref | Partnumber | Description | GXV340RT2 | Serial Numbers |
|-----|---------------|----------------------------|-----------|----------------|
| 001 | 17210-Z1E-801 | ELEMENT COMP., AIR CLEANER | 1 | |
| 001 | 17210-Z1E-801 | ELEMENT COMP., AIR CLEANER | 1 | 1005633 |
| 003 | 17231-ZF5-V00 | COVER, AIR CLEANER | 1 | |
| 004 | 17410-Z5V-000 | ELBOW COMP., AIR CLEANER | 1 | |
| 005 | 90014-ZE6-000 | BOLT, FLANGE, 6X35 (CT200) | 1 | |
| 006 | 90325-044-000 | NUT, TOOL BOX SETTING | 1 | |
| 007 | 91502-ZF5-V00 | COLLAR, AIR CLEANER | 2 | |
| 008 | 91503-ZF5-V00 | COLLAR, AIR CLEANER | 1 | |
| 009 | 94050-06000 | NUT, FLANGE, 6MM | 2 | |
| 011 | 90634-ZL8-H00 | CAP, SEALING | 1 | |



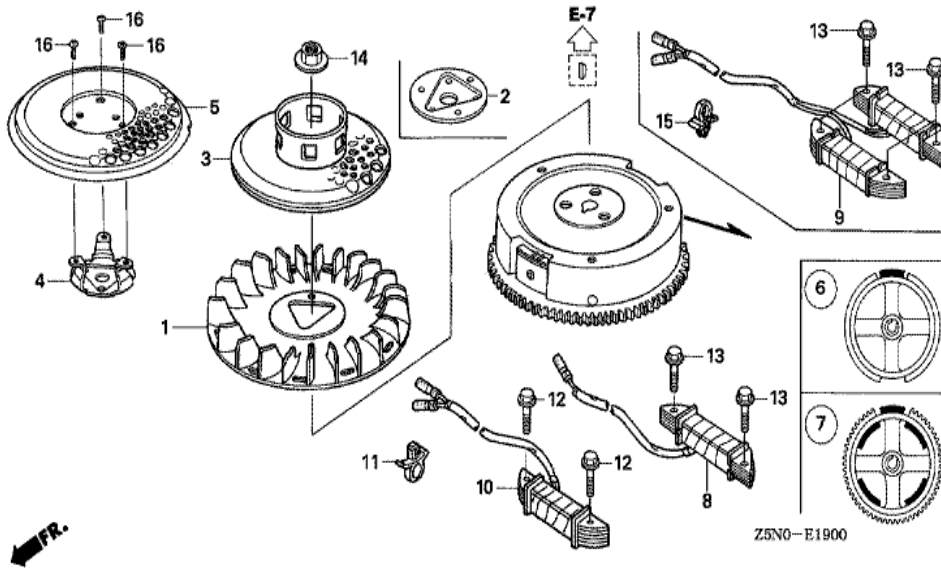
Z5N0-E1600

| <u>Ref</u> | <u>Partnumber</u> | <u>Description</u> | <u>GXV340RT2</u> | <u>Serial Numbers</u> |
|------------|-------------------|---------------------|------------------|-----------------------|
| 001 | 18310-Z1E-000 | MUFFLER COMP. | 1 | 1046388 |
| 001 | 18310-Z1E-010 | MUFFLER COMP. | 1 | 1046389 |
| 002 | 18316-ZF5-V00 | SEPARATOR, MUFFLER | 1 | |
| 003 | 18318-ZE8-000 | STAY COMP., MUFFLER | 1 | |
| 004 | 18321-ZF5-000 | PROTECTOR, MUFFLER | 1 | |
| 005 | 18331-ZE2-810 | CAP, MUFFLER | 1 | |
| 006 | 18331-ZF5-000 | PIPE, EX. | 1 | |
| 007 | 18333-Z1C-801 | GASKET, EX. PIPE | 1 | |
| 007 | 18333-Z1C-801 | GASKET, EX. PIPE | 1 | 1018582 |
| 009 | 18382-Z1F-801 | GASKET, EX. PIPE | 1 | |
| 009 | 18382-Z1F-801 | GASKET, EX. PIPE | 1 | 1018582 |
| 010 | 90031-883-000 | BOLT, FLANGE, 8X16 | 1 | |
| 011 | 90050-ZE1-000 | SCREW, TAPPING, 5X8 | 3 | |
| <u>Ref</u> | <u>Partnumber</u> | <u>Description</u> | <u>GXV340RT2</u> | <u>Serial Numbers</u> |
| 012 | 90055-ZE1-000 | SCREW, TAPPING, 4X6 | 3 | |
| 013 | 92900-080601B | BOLT, STUD, 8X60 | 1 | |
| 014 | 92900-080701B | BOLT, STUD, 8X70 | 1 | |
| 015 | 93500-060060A | SCREW, PAN, 6X6 | 3 | |
| 016 | 94050-08000 | NUT, FLANGE, 8MM | 4 | |
| 017 | 94101-06000 | WASHER, PLAIN, 6MM | 3 | |
| 018 | 95701-0801400 | BOLT, FLANGE, 8X14 | 1 | |

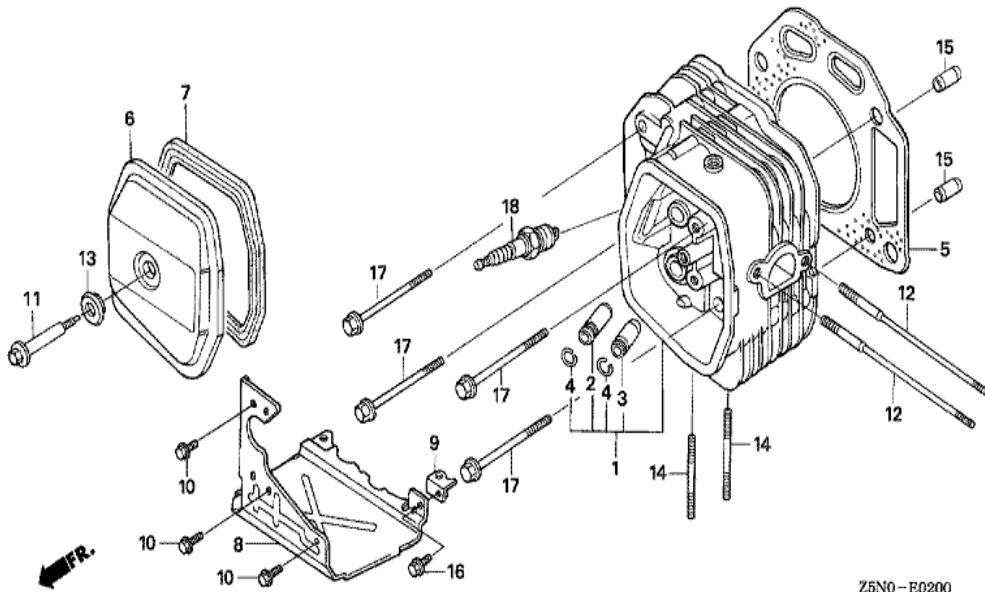


Z5N0E1700C

| Ref | Partnumber | Description | GXV340RT2 | Serial Numbers |
|-----|---------------|---------------------------|-----------|-----------------|
| 001 | 16910-ZBH-821 | STRAINER COMP., FUEL | 1 | 1046841 1047699 |
| 001 | 16910-ZE8-015 | STRAINER COMP., FUEL | 1 | 1046840 |
| 001 | 16910-ZE8-015 | STRAINER COMP., FUEL | 1 | 1047700 |
| 013 | 91434-Z5N-811 | HOSE, FUEL, 4.5X360 (FKM) | 1 | 1013308 |
| 013 | 91434-Z5N-811 | HOSE, FUEL, 4.5X360 (FKM) | 1 | |
| 015 | 95002-4085008 | CLAMP, TUBE (D8.5) | 1 | |
| 022 | 90602-Z4E-003 | CLAMP, TUBE (D9.4) | 1 | 1046841 1047699 |
| 022 | 95002-4085008 | CLAMP, TUBE (D8.5) | 1 | 1046840 |
| 022 | 95002-4085008 | CLAMP, TUBE (D8.5) | 1 | 1047700 |

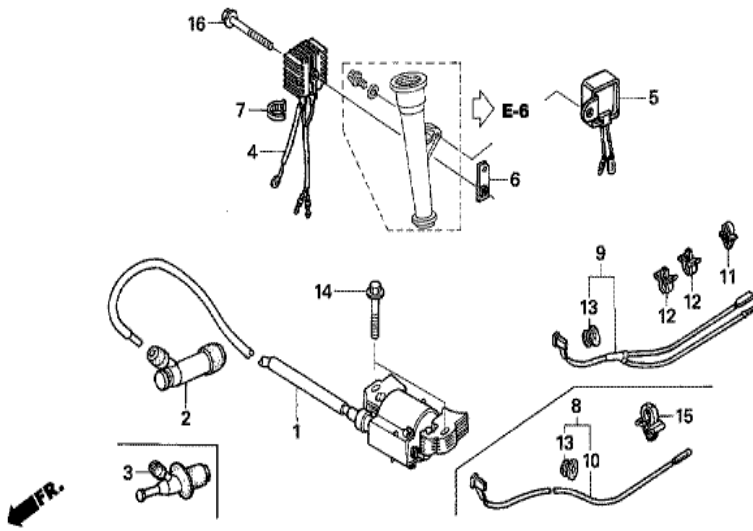


| Ref | Partnumber | Description | GXV340RT2 | Serial Numbers |
|-----|---------------|-------------------------------------|-----------|----------------|
| 001 | 19511-ZE9-010 | FAN, COOLING | 1 | |
| 003 | 28450-ZE9-004 | PULLEY COMP., STARTER (SCREEN GRID) | 1 | |
| 006 | 31100-ZE9-020 | FLYWHEEL COMP. | 1 | |
| 014 | 90201-ZE3-790 | NUT, SPECIAL, 16MM | 1 | |



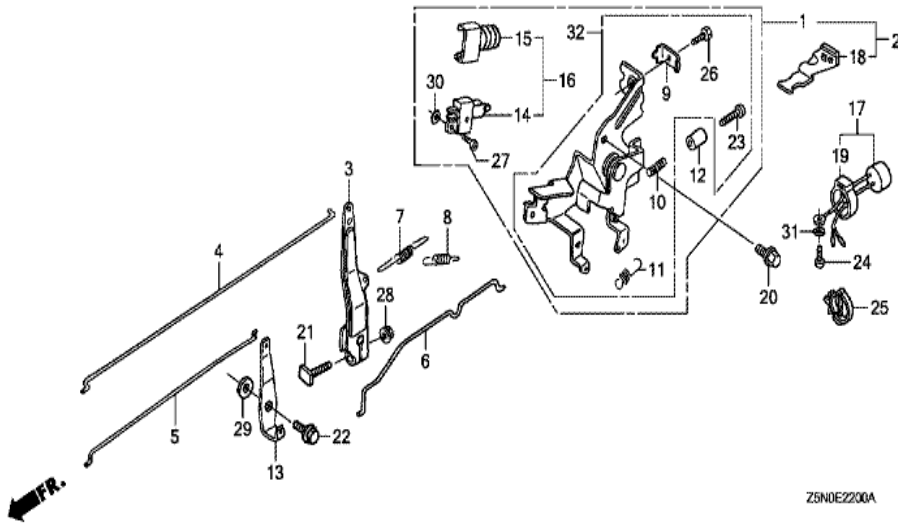
Z5N0-B0200

| <u>Ref</u> | <u>Partnumber</u> | <u>Description</u> | <u>GXV340RT2</u> | <u>Serial Numbers</u> |
|------------|-------------------|----------------------------|------------------|-----------------------|
| 001 | 12200-Z1E-405 | HEAD COMP., CYLINDER | 1 | |
| 002 | 12204-ZE2-306 | GUIDE, IN. VALVE (O.S.) | 1 | |
| 003 | 12205-ZE2-305 | GUIDE, EX. VALVE (OS) | 1 | |
| 004 | 12216-ZE2-300 | CLIP, VALVE GUIDE | 2 | |
| 005 | 12251-Z1F-801 | GASKET, CYLINDER HEAD | 1 | |
| 005 | 12251-Z1F-801 | GASKET, CYLINDER HEAD | 1 | 1013559 |
| 006 | 12310-ZE8-000 | COVER, HEAD | 1 | |
| 007 | 12391-ZE8-000 | PACKING, HEAD COVER | 1 | |
| 008 | 18345-ZF5-020 | COVER, UNDER | 1 | |
| 009 | 18347-ZE8-000 | STAY COMP., UNDER COVER | 1 | |
| 010 | 90013-883-000 | BOLT, FLANGE, 6X12 (CT200) | 3 | |
| 011 | 90014-ZE8-000 | BOLT, HEAD COVER | 1 | |
| 012 | 90042-ZE8-000 | BOLT, STUD, 8X131.5 | 2 | |
| <u>Ref</u> | <u>Partnumber</u> | <u>Description</u> | <u>GXV340RT2</u> | <u>Serial Numbers</u> |
| 013 | 90441-ZE2-010 | WASHER COMP., HEAD COVER | 1 | |
| 014 | 92900-080320B | BOLT, STUD, 8X32 | 2 | |
| 014 | 92900-080320B | BOLT, STUD, 8X32 | 2 | |
| 015 | 94301-12200 | DOWEL PIN, 12X20 | 2 | |
| 016 | 95701-0601200 | BOLT, FLANGE, 6X12 | 1 | |
| 017 | 95701-1008000 | BOLT, FLANGE, 10X80 | 4 | |
| 018 | 98079-55876 | PLUG, SPARK (BPR5ES) (NGK) | 1 | |



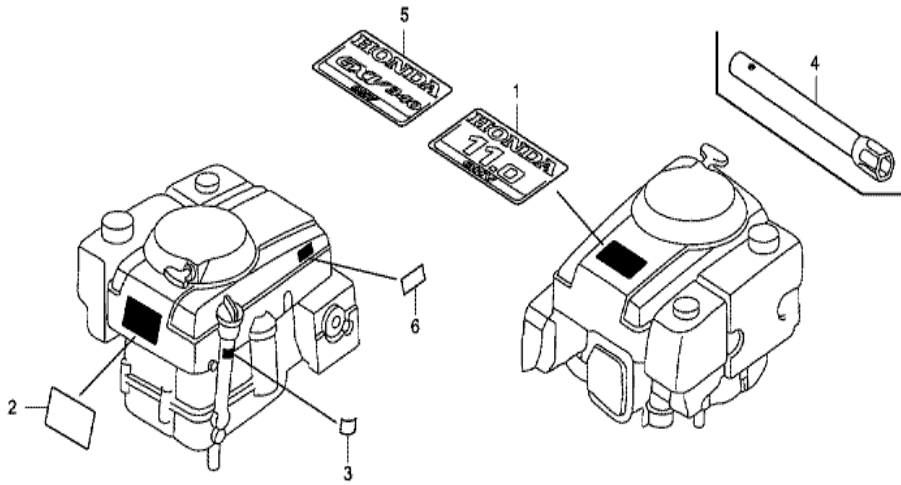
Z5N0-E2000

| Ref | Partnumber | Description | GXV340RT2 | Serial Numbers |
|-----|---------------|-----------------------------|-----------|----------------|
| 001 | 30500-Z1E-023 | COIL ASSY., IGNITION | 1 | |
| 002 | 30700-ZF5-013 | CAP ASSY., NOISE SUPPRESSOR | 1 | |
| 009 | 36101-ZE8-810 | CORD, STOP SWITCH | 1 | |
| 012 | 46391-VM0-003 | CLIP, BRAKE PIPE (A) | 2 | |
| 013 | 80101-166-000 | GROMMET, WIRE CORD | 1 | |
| 014 | 90015-883-000 | BOLT, FLANGE, 6X28 (CT200) | 2 | |



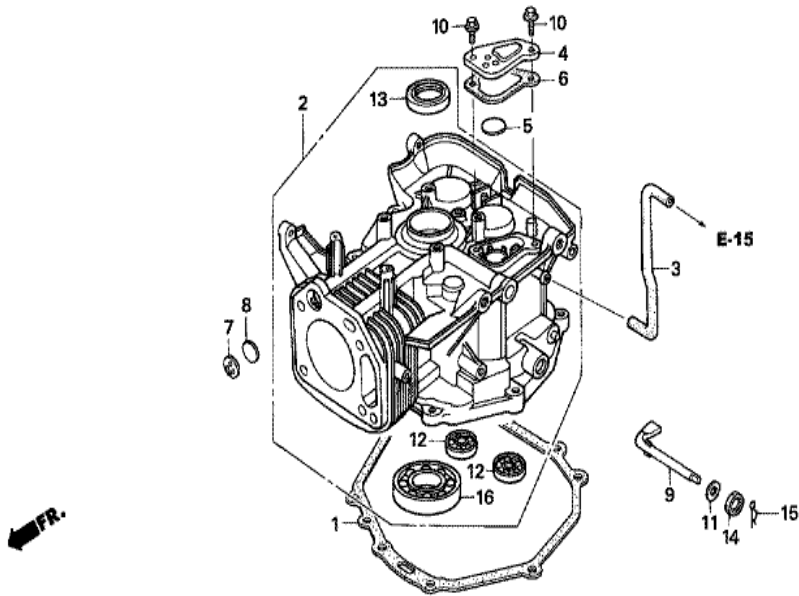
Z5NDE2200A

| <u>Ref</u> | <u>Partnumber</u> | <u>Description</u> | <u>GXV340RT2</u> | <u>Serial Numbers</u> |
|------------|-------------------|----------------------------|------------------|-----------------------|
| 001 | 16500-ZF5-010 | CONTROL ASSY. | 1 | |
| 003 | 16551-ZF5-000 | ARM, GOVERNOR | 1 | |
| 004 | 16555-ZE9-000 | ROD, GOVERNOR | 1 | |
| 005 | 16556-ZE9-000 | ROD, CHOKE | 1 | |
| 006 | 16557-ZE8-810 | ROD, JOINT | 1 | |
| 007 | 16561-ZF5-000 | SPRING, GOVERNOR | 1 | |
| 008 | 16563-ZE8-000 | SPRING, GOVERNOR PRIMARY | 1 | |
| 009 | 16576-891-000 | HOLDER, CABLE | 1 | |
| 010 | 16584-883-300 | SPRING, CONTROL ADJUSTING | 1 | |
| 011 | 16592-732-700 | SPRING, CABLE RETURN | 1 | |
| 013 | 16619-ZF5-000 | LEVER, CHOKE JOINT | 1 | |
| 014 | 35330-ZG1-751 | SWITCH ASSY., ENGINE | 1 | |
| 015 | 35336-750-003 | COVER, SWITCH | 1 | |
| <u>Ref</u> | <u>Partnumber</u> | <u>Description</u> | <u>GXV340RT2</u> | <u>Serial Numbers</u> |
| 016 | 36100-ZE8-003 | SWITCH ASSY., ENGINE STOP | 1 | |
| 020 | 90013-883-000 | BOLT, FLANGE, 6X12 (CT200) | 1 | |
| 021 | 90015-ZE5-010 | BOLT, GOVERNOR ARM | 1 | |
| 022 | 90015-ZE8-000 | BOLT, FLANGE, 6MM | 1 | |
| 023 | 93500-050200A | SCREW, PAN, 5X20 | 1 | |
| 023 | 93500-050200A | SCREW, PAN, 5X20 | 1 | |
| 026 | 92301-050141A | BOLT, RECESSED, 5X14 | 1 | |
| 027 | 93500-040140A | SCREW, PAN, 4X14 | 1 | |
| 028 | 94050-06000 | NUT, FLANGE, 6MM | 1 | |
| 029 | 94101-06800 | WASHER, PLAIN, 6MM | 1 | |
| 030 | 94111-04000 | WASHER, SPRING, 4MM | 1 | |



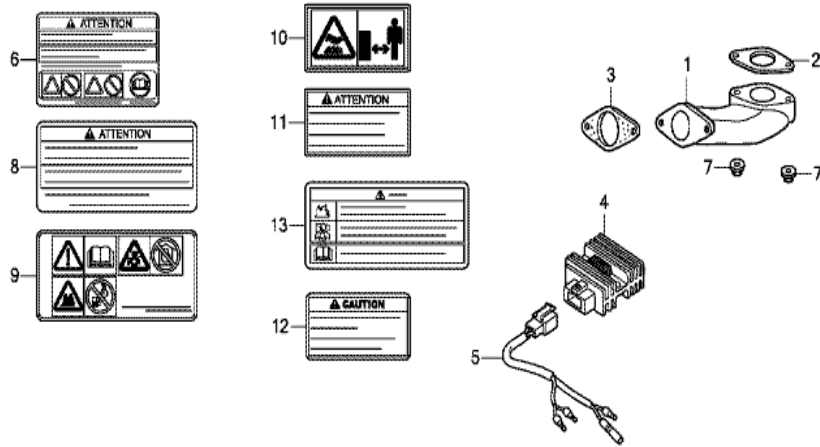
ZENGE2800B

| Ref | Partnumber | Description | GXV340RT2 | Serial Numbers |
|-----|---------------|--|-----------|----------------|
| 002 | 87516-Z4H-000 | MARK, OPERATOR CAUTION (ENGLISH) (MADE I | 1 | 1030152 |
| 002 | 87516-Z4H-010 | MARK, OPERATOR CAUTION (ENGLISH) (MADE I | 1 | 1030153 |
| 002 | 87516-Z4H-810 | MARK, OPERATOR CAUTION (PICTOGRAPH) (MAD | (1) | |
| 002 | 87516-Z4H-810 | MARK, OPERATOR CAUTION (PICTOGRAPH) (MAD | (1) | 1030152 |
| 003 | 87601-ZF5-820 | MARK, TYPE (DA) | 1 | |
| 003 | 87601-ZF5-820 | MARK, TYPE (DA) | 1 | |
| 004 | 99004-21002 | WRENCH, BOX (P21) | 1 | |
| 005 | 87101-ZE9-V02 | EMBLEM, TOP COVER (GXV340) | 1 | |
| 006 | 87539-Z0J-000 | MARK, EX. CAUTION (ENGLISH) | 1 | 1030153 |



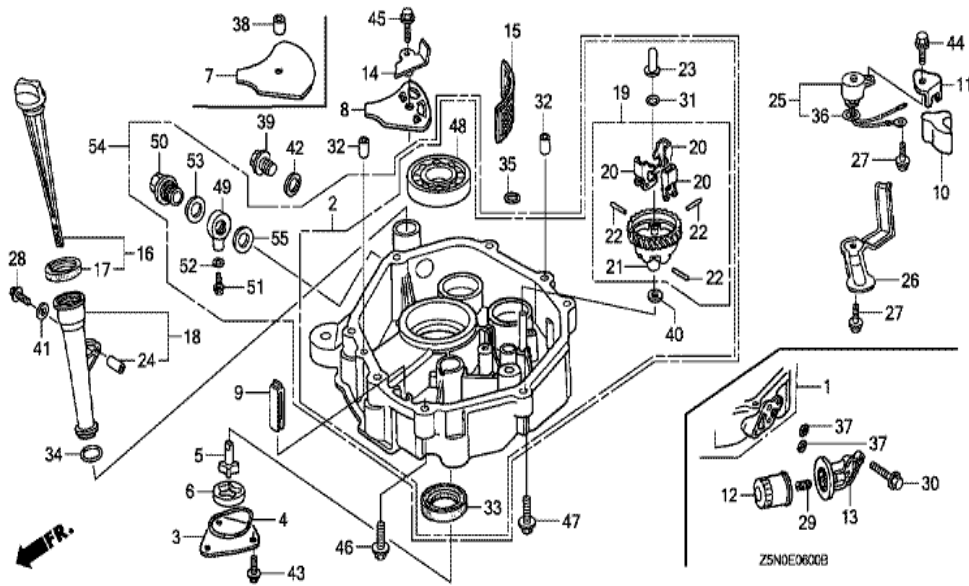
Z5N0-E0300

| <u>Ref</u> | <u>Partnumber</u> | <u>Description</u> | <u>GXV340RT2</u> | <u>Serial Numbers</u> |
|------------|-------------------|----------------------------|------------------|-----------------------|
| 001 | 11381-ZE9-801 | PACKING, OIL PAN | 1 | |
| 002 | 12000-Z1F-405 | BARREL ASSY., CYLINDER | 1 | |
| 003 | 12315-ZF5-000 | TUBE, BREATHER | 1 | |
| 004 | 12370-ZF5-000 | CAP, BREATHER CHAMBER | 1 | |
| 005 | 12372-ZE2-300 | VALVE, BREATHER | 1 | |
| 006 | 12373-ZE8-000 | PACKING, BREATHER CAP | 1 | |
| 009 | 16541-ZE8-010 | SHAFT, GOVERNOR ARM | 1 | |
| 010 | 90013-883-000 | BOLT, FLANGE, 6X12 (CT200) | 2 | |
| 011 | 90406-VM6-000 | WASHER, THRUST, 8.1MM | 1 | |
| 012 | 91001-ZF5-003 | BEARING, RADIAL BALL, 6202 | 2 | |
| 013 | 91201-Z1C-003 | OIL SEAL, 35X52X8 (NOK) | 1 | |
| 014 | 91203-952-771 | OIL SEAL, 8X14X5 | 1 | |
| 015 | 94251-10000 | PIN, LOCK, 10MM | 1 | |
| <u>Ref</u> | <u>Partnumber</u> | <u>Description</u> | <u>GXV340RT2</u> | <u>Serial Numbers</u> |
| 016 | 96100-6207300 | BEARING, RADIAL BALL, 6207 | 1 | |



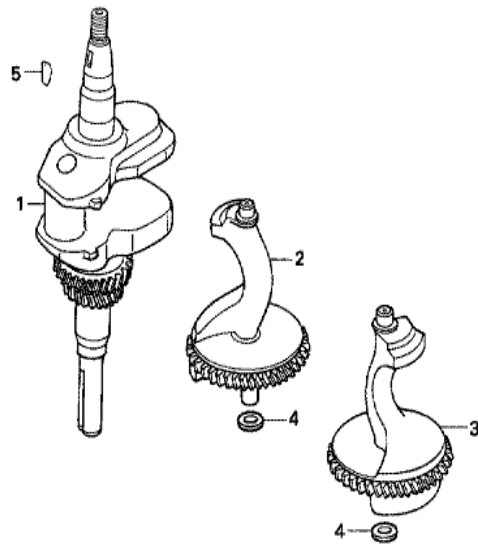
Z5N0E4000C

| Ref | Partnumber | Description | GXV340RT2 | Serial Numbers |
|-----|---------------|--|-----------|----------------|
| 006 | 87516-Z4H-800 | MARK, OPERATOR CAUTION (FRENCH) (MADE IN | 1 | 1030152 |
| 008 | 87516-Z4H-801 | MARK, OPERATOR CAUTION (FRENCH) (MADE IN | 1 | 1030153 |
| 009 | 87519-Z4H-000 | MARK, OPERATOR CAUTION (PICTOGRAPH) | 1 | 1030153 |
| 010 | 87539-Z0J-800 | MARK, EX. CAUTION (PICTOGRAPH) | 1 | 1030153 |
| 011 | 87539-Z0J-810 | MARK, EX. CAUTION (FRENCH) | 1 | 1030153 |



| Ref | Partnumber | Description | GXV340RT2 | Serial Numbers |
|-----|---------------|-----------------------------|-----------|----------------|
| 002 | 11300-Z1E-407 | PAN ASSY., OIL | 1 | |
| 003 | 15130-ZE8-000 | COVER, OIL PUMP | 1 | |
| 004 | 15131-ZE9-003 | O-RING, PUMP COVER | 1 | |
| 005 | 15330-ZE8-000 | ROTOR COMP., INNER | 1 | |
| 006 | 15332-891-003 | ROTOR, OIL PUMP OUTER | 1 | |
| 007 | 15334-ZE8-010 | PLATE, OIL FILTER | 1 | |
| 009 | 15335-ZE9-000 | RUBBER, OIL RETURN | 1 | |
| 015 | 15421-ZE9-003 | SCREEN, OIL FILTER | 1 | |
| 016 | 15600-Z5N-800 | CAP ASSY., OIL FILLER | 1 | |
| 017 | 15625-ZE8-000 | PACKING, OIL FILLER CAP | 1 | |
| 018 | 15630-Z5N-800 | EXTENSION COMP., OIL FILLER | 1 | |
| 019 | 16510-ZE3-000 | GOVERNOR ASSY. | 1 | |
| 020 | 16511-ZE8-000 | WEIGHT, GOVERNOR | 3 | |

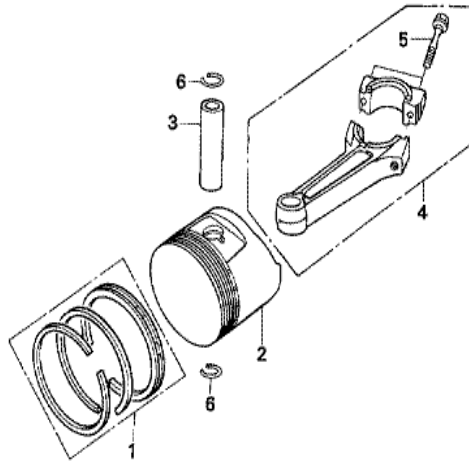
| <u>Ref</u> | <u>Partnumber</u> | <u>Description</u> | <u>GXV340RT2</u> | <u>Serial Numbers</u> |
|------------|-------------------|----------------------------|------------------|-----------------------|
| 021 | 16512-ZE3-000 | HOLDER, GOVERNOR WEIGHT | 1 | |
| 022 | 16513-ZE2-000 | PIN, GOVERNOR WEIGHT | 3 | |
| 023 | 16531-Z0A-000 | SLIDER, GOVERNOR | 1 | |
| 024 | 17240-ZE6-000 | COLLAR, EXTENSION | 1 | |
| 028 | 90014-ZE6-000 | BOLT, FLANGE, 6X35 (CT200) | 1 | |
| 031 | 90602-ZE1-000 | CLIP, GOVERNOR HOLDER | 1 | |
| 032 | 90701-HC4-000 | DOWEL PIN, 8X12 | 2 | |
| 033 | 91201-Z1C-003 | OIL SEAL, 35X52X8 (NOK) | 1 | |
| 034 | 91301-ZE9-003 | O-RING, 22.1X2.2 | 1 | |
| 035 | 91302-ZE9-003 | O-RING, 11.8X2.4 | 1 | |
| 038 | 91501-ZF5-000 | COLLAR, OIL FILTER SETTING | 1 | |
| 039 | 92800-20000 | BOLT, DRAIN PLUG, 20MM | 1 | |
| 040 | 94101-06800 | WASHER, PLAIN, 6MM | 1 | |
| 041 | 94103-06700 | WASHER, PLAIN, 6MM | 1 | |
| 042 | 94109-20000 | WASHER, DRAIN PLUG, 20MM | 1 | |
| 043 | 95701-0601200 | BOLT, FLANGE, 6X12 | 3 | |
| 045 | 95701-0602500 | BOLT, FLANGE, 6X25 | 1 | |
| 046 | 95701-0804008 | BOLT, FLANGE, 8X40 | 6 | |
| 047 | 95701-0806008 | BOLT, FLANGE, 8X60 | 1 | |
| 048 | 96100-6207300 | BEARING, RADIAL BALL, 6207 | 1 | |



←FR.

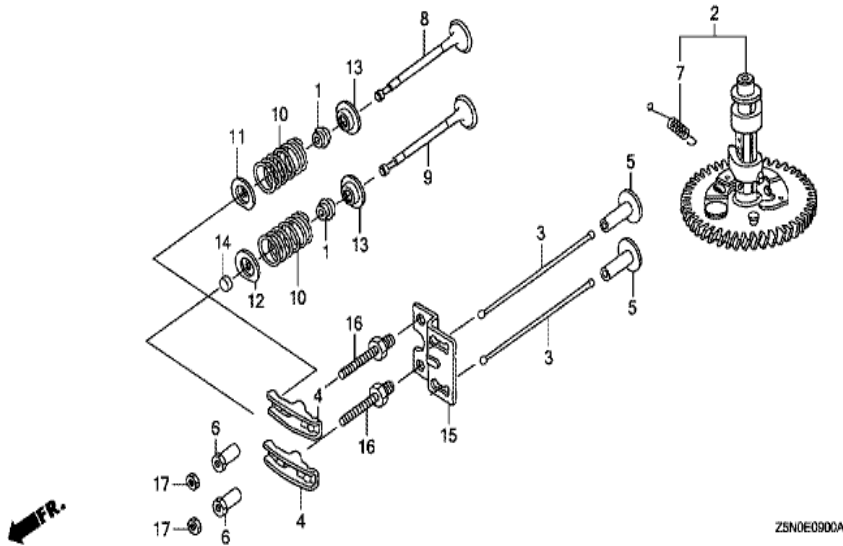
Z5N0-E0700

| Ref | Partnumber | Description | GXV340RT2 | Serial Numbers |
|-----|---------------|------------------------------|-----------|----------------|
| 001 | 13310-ZF5-040 | CRANKSHAFT COMP. | 1 | |
| 002 | 13351-ZE9-603 | WEIGHT A, BALANCER | 1 | |
| 003 | 13356-ZE9-604 | WEIGHT B, BALANCER | 1 | |
| 004 | 90417-HA0-000 | WASHER, THRUST, 15MM | 2 | |
| 005 | 90741-ZE2-000 | KEY, SPECIAL WOODRUFF, 25X18 | 1 | |



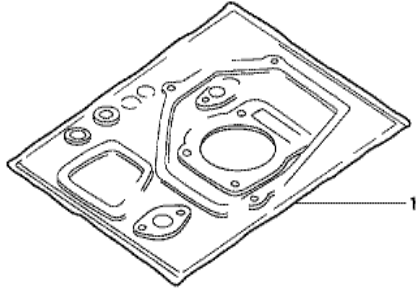
Z5N0-E0800

| <u>Ref</u> | <u>Partnumber</u> | <u>Description</u> | <u>GXV340RT2</u> | <u>Serial Numbers</u> |
|------------|-------------------|--|------------------|-----------------------|
| 001 | 13010-Z5L-004 | RING SET, PISTON (STD.) (TPR) | 1 | |
| 001 | 13010-Z5N-003 | RING SET, PISTON (STD.) (RIKEN) | 1 | 1020362 |
| 001 | 13010-Z5N-003 | RING SET, PISTON (STD.) (RIKEN) | 1 | |
| 001 | 13011-Z5L-004 | RING SET, PISTON (0.25) (TPR) | (1) | |
| 001 | 13011-Z5L-004 | RING SET, PISTON (0.25) (TPR) | (1) | |
| 001 | 13011-Z5N-003 | RING SET, PISTON (0.25) (RIKEN) | (1) | 1020362 |
| 001 | 13011-Z5N-003 | RING SET, PISTON (0.25) (RIKEN) | (1) | |
| 001 | 13012-Z5L-004 | RING SET, PISTON (0.50) (TPR) | (1) | 1020362 |
| 001 | 13012-Z5L-004 | RING SET, PISTON (0.50) (TPR) | (1) | |
| 001 | 13012-Z5N-003 | RING SET, PISTON (0.50) (RIKEN) | (1) | 1020362 |
| 001 | 13012-Z5N-003 | RING SET, PISTON (0.50) (RIKEN) | (1) | |
| 001 | 13013-Z5L-004 | RING SET, PISTON (0.75) (TPR) | (1) | 1020362 |
| 001 | 13013-Z5L-004 | RING SET, PISTON (0.75) (TPR) | (1) | |
| <u>Ref</u> | <u>Partnumber</u> | <u>Description</u> | <u>GXV340RT2</u> | <u>Serial Numbers</u> |
| 001 | 13013-Z5N-003 | RING SET, PISTON (0.75) (RIKEN) | (1) | |
| 001 | 13013-Z5N-003 | RING SET, PISTON (0.75) (RIKEN) | (1) | |
| 002 | 13101-ZE3-W01 | PISTON (STD.) | 1 | |
| 002 | 13102-ZE3-W01 | PISTON (0.25) | (1) | 1020362 |
| 002 | 13102-ZE3-W01 | PISTON (0.25) | (1) | |
| 002 | 13103-ZE3-W01 | PISTON (0.50) | (1) | |
| 002 | 13103-ZE3-W01 | PISTON (0.50) | (1) | |
| 002 | 13104-ZE3-W01 | PISTON (0.75) | (1) | 1020362 |
| 002 | 13104-ZE3-W01 | PISTON (0.75) | (1) | |
| 003 | 13111-ZE3-000 | PIN, PISTON | 1 | |
| 004 | 13200-Z1E-000 | ROD ASSY., CONNECTING (STD.) | 1 | |
| 004 | 13200-Z1E-305 | ROD ASSY., CONNECTING(0.25 UNDER SIZE) | (1) | |
| 004 | 13200-Z1E-305 | ROD ASSY., CONNECTING(0.25 UNDER SIZE) | (1) | |
| 005 | 90001-ZE8-000 | BOLT, CONNECTING ROD | 2 | |
| 006 | 90601-ZE3-000 | CLIP, PISTON PIN, 20MM | 2 | |



Z5N0E0900A

| <u>Ref</u> | <u>Partnumber</u> | <u>Description</u> | <u>GXV340RT2</u> | <u>Serial Numbers</u> |
|------------|-------------------|----------------------------|------------------|-----------------------|
| 001 | 12209-ZE8-003 | SEAL, VALVE STEM | 2 | |
| 002 | 14100-ZE8-602 | CAMSHAFT ASSY. | 1 | |
| 003 | 14410-Z1C-000 | ROD, PUSH | 2 | |
| 004 | 14431-ZE2-010 | ARM, VALVE ROCKER | 2 | |
| 005 | 14441-ZE2-000 | LIFTER, VALVE | 2 | |
| 006 | 14451-ZE1-013 | PIVOT, ROCKER ARM | 2 | |
| 007 | 14568-ZE1-000 | SPRING, WEIGHT RETURN | 1 | |
| 008 | 14711-ZE3-000 | VALVE, IN. | 1 | |
| 009 | 14721-ZE3-000 | VALVE, EX. | 1 | |
| 010 | 14751-Z1C-000 | SPRING, VALVE | 2 | |
| 011 | 14771-Z8S-000 | RETAINER, IN. VALVE SPRING | 1 | 1045120 |
| 011 | 14771-ZE2-000 | RETAINER, IN. VALVE SPRING | 1 | 1045119 |
| 012 | 14773-Z8S-000 | RETAINER, EX. VALVE SPRING | 1 | 1045120 |
| <u>Ref</u> | <u>Partnumber</u> | <u>Description</u> | <u>GXV340RT2</u> | <u>Serial Numbers</u> |
| 012 | 14773-ZE2-000 | RETAINER, EX. VALVE SPRING | 1 | 1045119 |
| 013 | 14775-ZE2-010 | SEAT, VALVE SPRING | 2 | |
| 014 | 14781-ZE2-000 | ROTATOR, VALVE | 1 | |
| 015 | 14791-ZE9-010 | GUIDE, PUSH ROD | 1 | |
| 016 | 90012-ZE0-010 | BOLT, PIVOT, 8MM | 2 | |
| 017 | 90206-ZE1-000 | NUT, PIVOT ADJUSTING | 2 | |



HENG-X0003

| <u>Ref</u> | <u>Partnumber</u> | <u>Description</u> | <u>GXV340RT2</u> | <u>Serial Numbers</u> |
|------------|-------------------|--------------------|------------------|-----------------------|
| 001 | 06111-ZE9-V01 | GASKET KIT | 1 | |