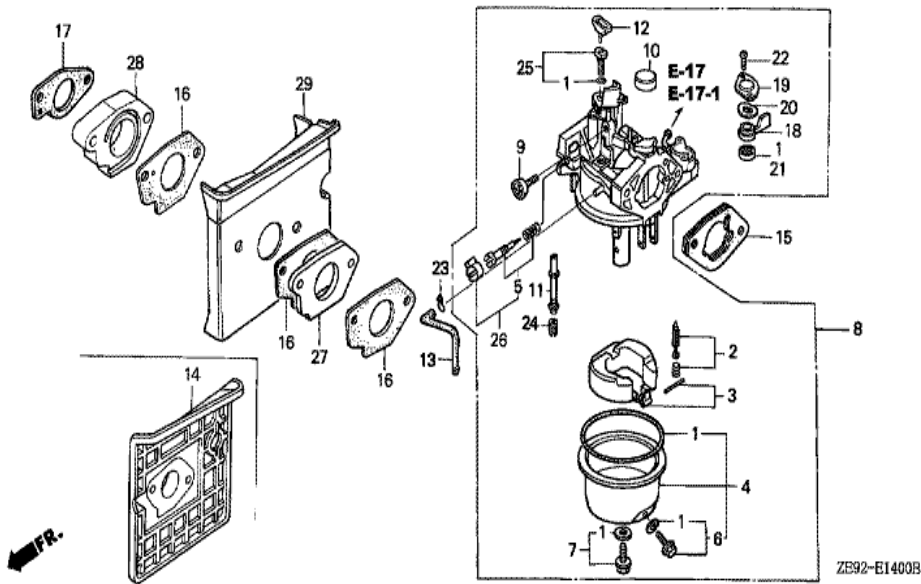
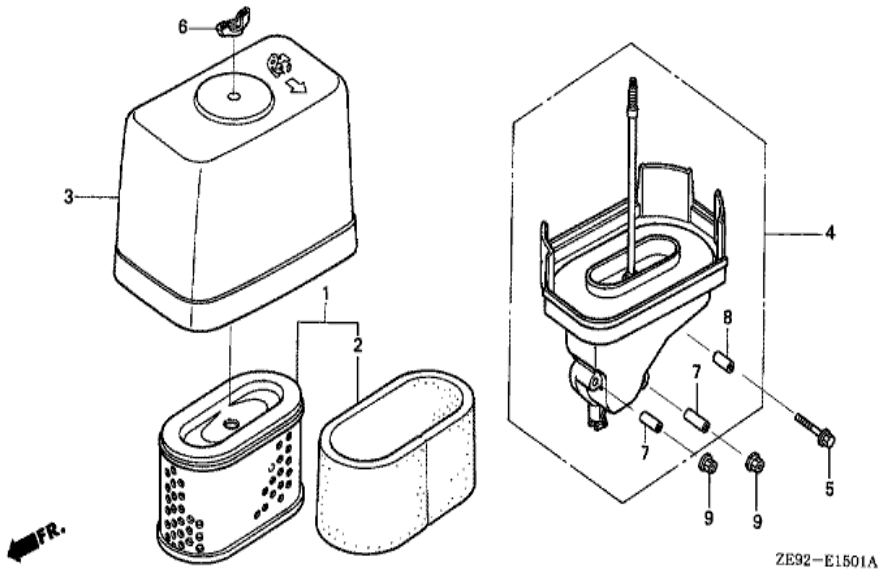


ZE92-E1200G

| Ref | Partnumber      | Description                | GXV340K2 | Serial Numbers |
|-----|-----------------|----------------------------|----------|----------------|
| 001 | 19610-ZE9-V01ZC | COVER COMP., FAN *R280*    | 1        |                |
| 007 | 90013-883-000   | BOLT, FLANGE, 6X12 (CT200) | 1        |                |
| 008 | 90029-888-000   | BOLT, FLANGE, 6X16 (CT200) | 4        |                |
| 009 | 94050-06000     | NUT, FLANGE, 6MM           | 2        |                |
| 013 | 19617-ZE9-V00   | BRACKET, R. FAN COVER      | 1        |                |
| 014 | 19627-ZE9-V00   | BRACKET, L. FAN COVER      | 1        |                |
| 015 | 19631-ZE9-V00   | SHROUD                     | 1        |                |
| 016 | 28456-ZF5-V00ZA | COVER, SCREEN GRID *NH1*   | 1        |                |
| 017 | 90006-ZF5-V00   | SCREW, SPECIAL, 6X8        | 2        |                |
| 018 | 95701-0601000   | BOLT, FLANGE, 6X10         | 1        |                |

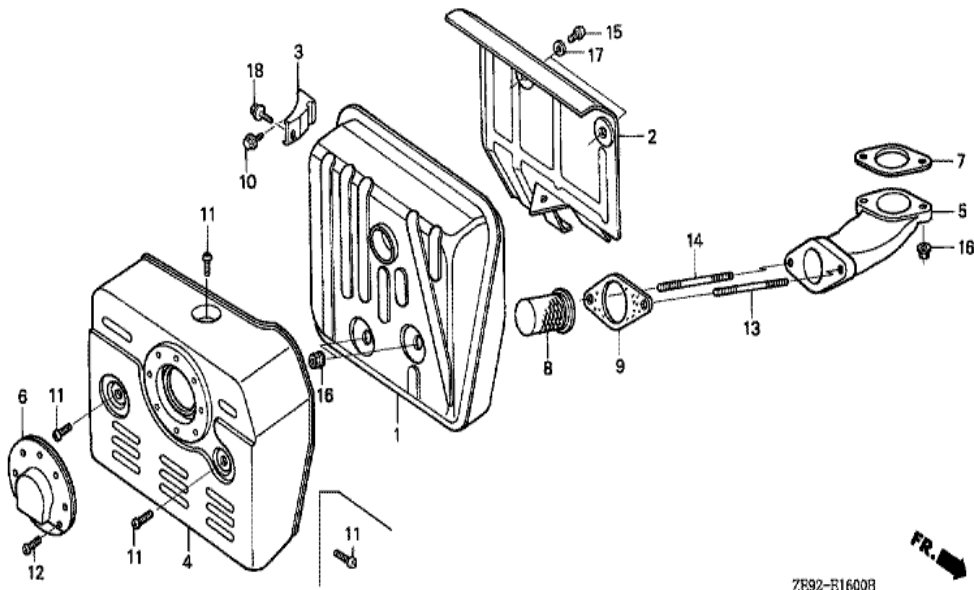


| Ref | Partnumber    | Description                           | GXV340K2 | Serial Numbers |
|-----|---------------|---------------------------------------|----------|----------------|
| 001 | 16010-ZE2-015 | GASKET SET                            | 1        |                |
| 002 | 16011-ZA0-931 | VALVE SET, FLOAT                      | 1        |                |
| 003 | 16013-ZA0-931 | FLOAT SET                             | 1        |                |
| 004 | 16015-ZE8-005 | CHAMBER SET, FLOAT                    | 1        |                |
| 005 | 16016-ZE0-005 | SCREW SET, PILOT                      | 1        |                |
| 006 | 16024-ZE1-811 | SCREW SET, DRAIN                      | 1        |                |
| 007 | 16028-ZE0-005 | SCREW SET                             | 1        |                |
| 008 | 16100-ZE9-V32 | CARBURETOR ASSY. (BE81C B)            | 1        |                |
| 009 | 16124-ZE0-005 | SCREW, THROTTLE STOP                  | 1        |                |
| 010 | 16148-141-881 | CAP, CHOKE DUST                       | 1        |                |
| 011 | 16166-ZE9-W00 | NOZZLE, MAIN                          | 1        |                |
| 012 | 16172-ZE3-W10 | COLLAR, SETTING                       | 1        |                |
| 013 | 95001-4518040 | TUBE, FUEL, 4.5X180 (95001-45001-60M) | 1        |                |
| Ref | Partnumber    | Description                           | GXV340K2 | Serial Numbers |
| 015 | 16220-ZA0-702 | SPACER COMP., CARBURETOR              | 1        |                |
| 016 | 16221-ZE3-800 | PACKING, CARBURETOR                   | 1        |                |
| 017 | 16223-ZE9-800 | PACKING, INSULATOR                    | 1        |                |
| 018 | 16953-ZE1-712 | LEVER, COCK                           | 1        |                |
| 019 | 16954-ZE1-812 | PLATE, LEVER SETTING                  | 1        |                |
| 020 | 16956-ZE1-811 | SPRING, COCK LEVER                    | 1        |                |
| 021 | 16957-ZE1-812 | PACKING, FUEL COCK                    | 1        |                |
| 022 | 93500-030061H | SCREW, PAN, 3X6                       | 2        |                |
| 023 | 95002-02080   | CLIP, TUBE (B8)                       | 1        |                |
| 024 | 99101-ZH80850 | JET, MAIN, #85                        | (1)      |                |
| 024 | 99101-ZH80880 | JET, MAIN, #88                        | (1)      |                |
| 024 | 99101-ZH80900 | JET, MAIN, #90                        | 1        |                |
| 025 | 99204-ZE00380 | JET SET, PILOT, #38                   | 1        |                |
| 027 | 16211-ZE9-L00 | INSULATOR, CARBURETOR                 | 1        |                |
| 028 | 16211-ZE9-010 | INSULATOR, CARBURETOR                 | 1        |                |
| 029 | 19625-ZE9-L00 | GUIDE, AIR                            | 1        |                |



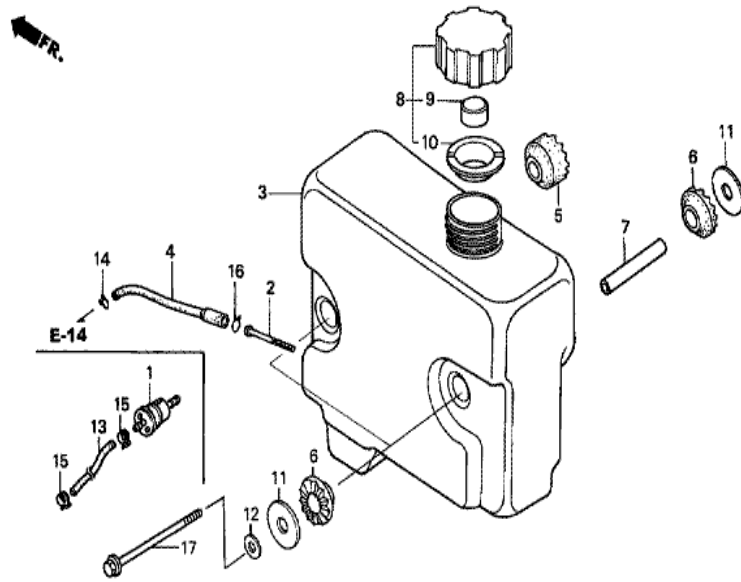
ZE92-E1501A

| Ref | Partnumber    | Description                | GXV340K2 | Serial Numbers |
|-----|---------------|----------------------------|----------|----------------|
| 001 | 17211-ZF5-V01 | ELEMENT, AIR CLEANER       | 1        |                |
| 002 | 17218-ZF5-V00 | FILTER, OUTER              | 1        |                |
| 003 | 17231-ZF5-V00 | COVER, AIR CLEANER         | 1        |                |
| 004 | 17410-ZF5-V00 | ELBOW COMP., AIR CLEANER   | 1        |                |
| 005 | 90016-ZE8-000 | BOLT, FLANGE, 6X45 (CT200) | 1        |                |
| 006 | 90325-044-000 | NUT, TOOL BOX SETTING      | 1        |                |
| 007 | 91502-ZF5-V00 | COLLAR, AIR CLEANER        | 2        |                |
| 008 | 91503-ZF5-V00 | COLLAR, AIR CLEANER        | 1        |                |
| 009 | 94050-06000   | NUT, FLANGE, 6MM           | 2        |                |



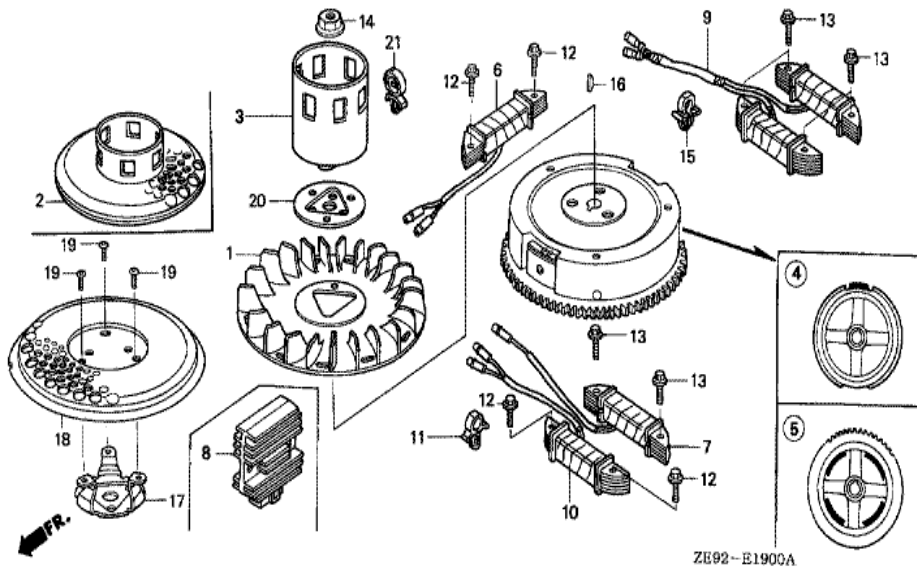
ZB92-E1600B

| Ref | Partnumber    | Description      | GXV340K2 | Serial Numbers |
|-----|---------------|------------------|----------|----------------|
| 005 | 18331-ZF5-000 | PIPE, EX.        | 1        |                |
| 007 | 18333-ZE3-800 | GASKET, EX. PIPE | 1        |                |
| 009 | 18382-ZE9-800 | GASKET, EX. PIPE | 1        |                |
| 016 | 94050-08000   | NUT, FLANGE, 8MM | 2        |                |

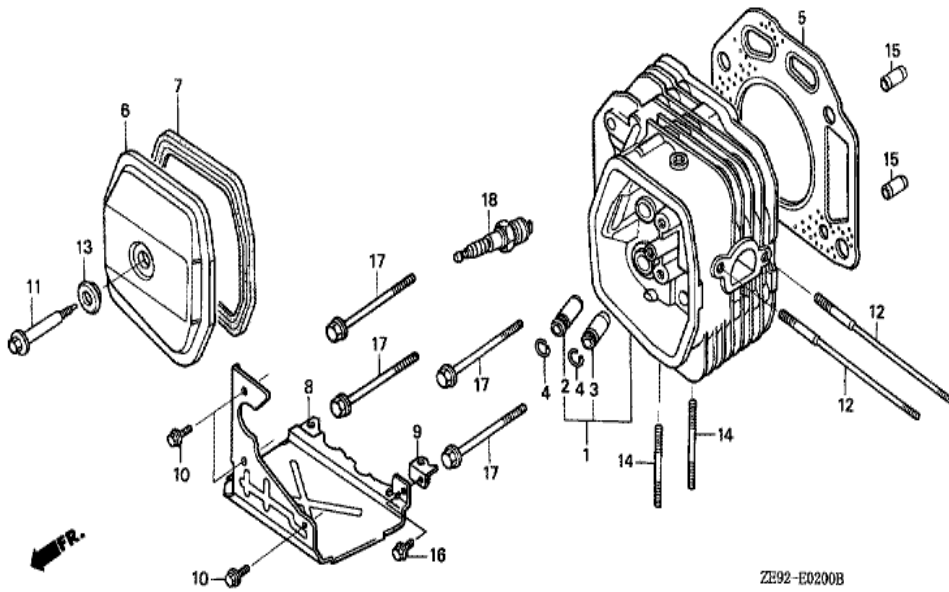


ZE92-E1700A

| Ref | Partnumber    | Description                          | GXV340K2 | Serial Numbers |
|-----|---------------|--------------------------------------|----------|----------------|
| 001 | 16910-ZE8-015 | STRAINER COMP., FUEL                 | 1        |                |
| 013 | 95001-4536020 | HOSE, FUEL, 4.5X360(95001-45001-50M) | 1        |                |
| 015 | 95002-4085008 | CLAMP, TUBE (D8.5)                   | 2        |                |

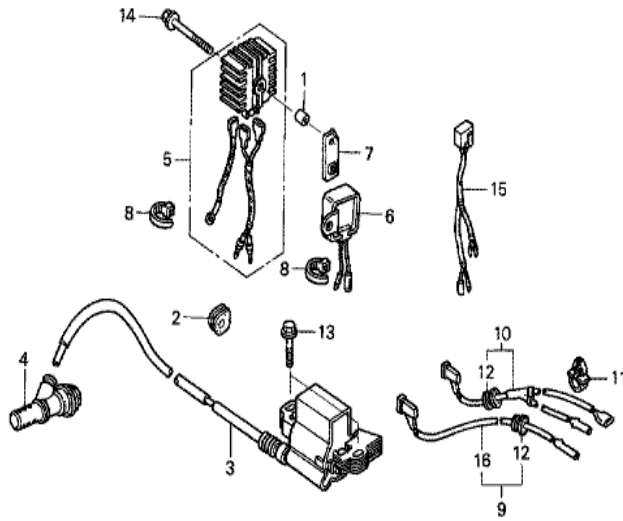


| Ref | Partnumber    | Description                      | GXV340K2 | Serial Numbers |
|-----|---------------|----------------------------------|----------|----------------|
| 001 | 19511-ZE9-010 | FAN, COOLING                     | 1        |                |
| 005 | 31110-ZF5-L32 | FLYWHEEL COMP. (SEL-4POLE)       | 1        |                |
| 008 | 31600-ZE2-861 | RECTIFIER ASSY., REGULATOR (10A) | 1        |                |
| 009 | 31630-ZF5-V01 | COIL ASSY., CHARGE (10A)         | 1        |                |
| 013 | 90031-ZE1-000 | BOLT, FLANGE, 6X32               | 2        |                |
| 014 | 90201-ZE3-V00 | NUT, SPECIAL, 16MM               | 1        |                |
| 015 | 90682-735-A01 | CLIP, WIRE HARNESS               | 1        | 6028241        |
| 016 | 90741-ZE2-000 | KEY, SPECIAL WOODRUFF, 25X18     | 1        |                |
| 020 | 19512-ZE2-000 | PLATE, COOLING FAN SETTING       | 1        |                |



ZE92-E0200B

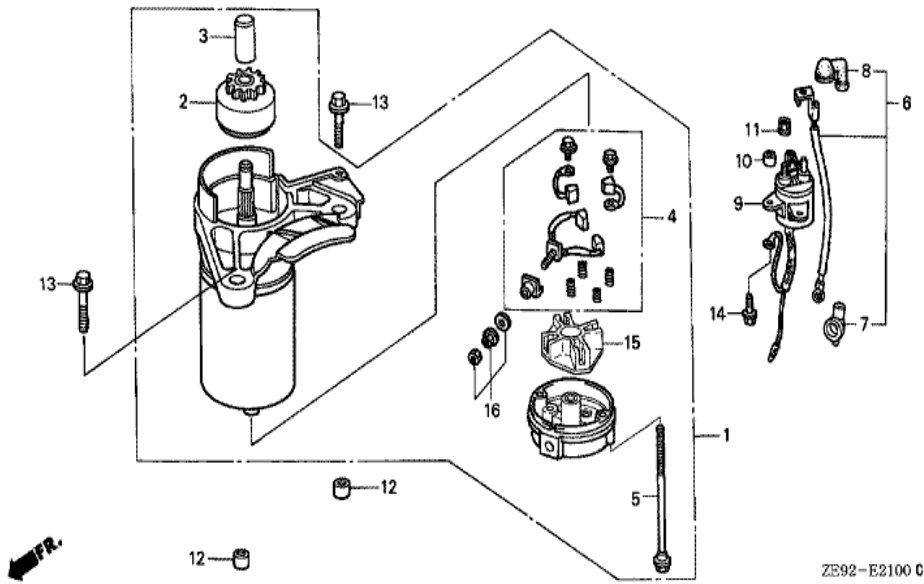
| <u>Ref</u> | <u>Partnumber</u> | <u>Description</u>         | <u>GXV340K2</u> | <u>Serial Numbers</u> |
|------------|-------------------|----------------------------|-----------------|-----------------------|
| 001        | 12200-ZE9-600     | HEAD COMP., CYLINDER       | 1               |                       |
| 002        | 12204-ZE2-306     | GUIDE, IN. VALVE (O.S.)    | (1)             |                       |
| 003        | 12205-ZE2-305     | GUIDE, EX. VALVE (OS)      | (1)             |                       |
| 004        | 12216-ZE2-300     | CLIP, VALVE GUIDE          | 2               |                       |
| 005        | 12251-ZE9-600     | GASKET, CYLINDER HEAD      | 1               |                       |
| 006        | 12310-ZE8-000     | COVER, HEAD                | 1               |                       |
| 007        | 12391-ZE8-000     | PACKING, HEAD COVER        | 1               |                       |
| 011        | 90014-ZE8-000     | BOLT, HEAD COVER           | 1               |                       |
| 012        | 90042-ZE8-700     | BOLT, STUD, 8X138.5        | 2               |                       |
| 013        | 90441-ZE2-010     | WASHER COMP., HEAD COVER   | 1               |                       |
| 014        | 92900-080320B     | BOLT, STUD, 8X32           | 2               |                       |
| 015        | 94301-12200       | DOWEL PIN, 12X20           | 2               |                       |
| 017        | 95701-1008000     | BOLT, FLANGE, 10X80        | 4               |                       |
| <u>Ref</u> | <u>Partnumber</u> | <u>Description</u>         | <u>GXV340K2</u> | <u>Serial Numbers</u> |
| 018        | 98079-55846       | PLUG, SPARK (BPR5ES) (NGK) | 1               |                       |



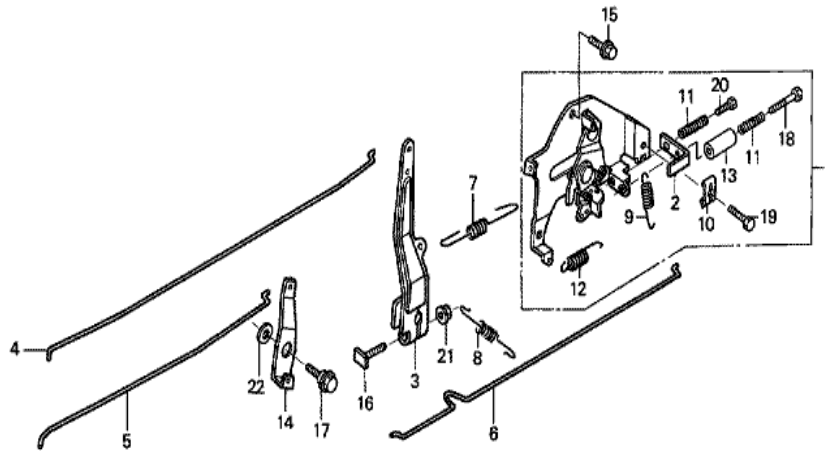
ZE92-E2000C

| Ref | Partnumber    | Description                 | GXV340K2 | Serial Numbers |
|-----|---------------|-----------------------------|----------|----------------|
| 001 | 17239-ZE8-700 | SPACER, AIR CLEANER ELBOW   | 1        |                |
| 003 | 30500-ZE9-L32 | COIL ASSY., IGNITION        | 1        |                |
| 004 | 30700-ZE8-701 | CAP ASSY., NOISE SUPPRESSOR | 1        |                |
| 011 | 91504-SL0-003 | CLIP, HOOD OPEN WIRE        | 1        |                |
| 013 | 90015-883-000 | BOLT, FLANGE, 6X28 (CT200)  | 2        |                |
| 015 | 32110-ZB5-G30 | HARNESS ASSY., SUB WIRE     | 1        | 6028241        |
| 016 | 36101-ZE9-L30 | CORD, STOP SWITCH           | 1        |                |



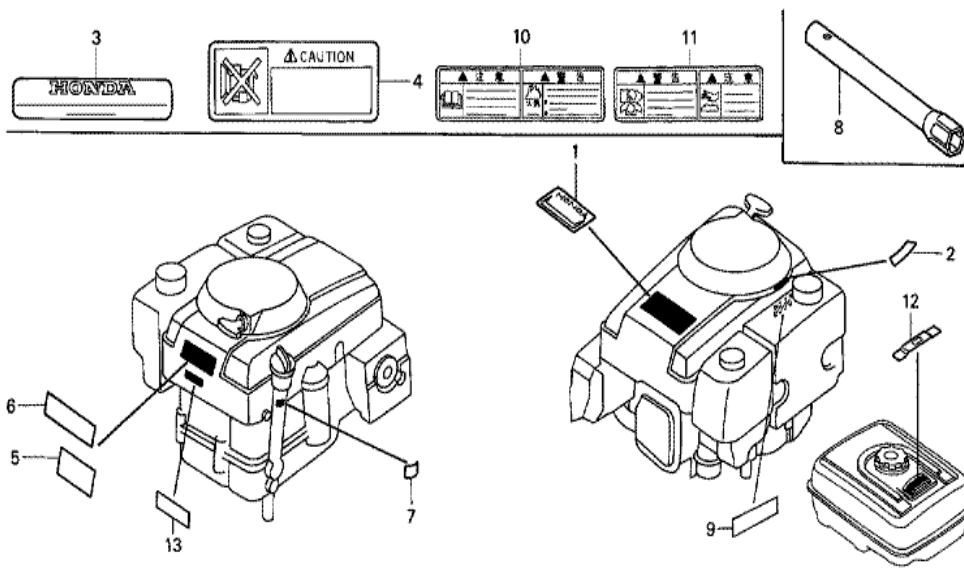


| <u>Ref</u> | <u>Partnumber</u> | <u>Description</u>             | <u>GXV340K2</u> | <u>Serial Numbers</u> |
|------------|-------------------|--------------------------------|-----------------|-----------------------|
| 001        | 31200-ZF5-L32     | MOTOR ASSY., STARTER           | 1               |                       |
| 002        | 31206-ZF5-L31     | DRIVE ASSY.                    | 1               |                       |
| 003        | 31225-ZF5-L31     | STOPPER SET, PINION            | 1               |                       |
| 004        | 31226-ZF5-L31     | BRUSH SET                      | 1               |                       |
| 005        | 31261-ZF5-L31     | BOLT, THROUGH                  | 2               |                       |
| 006        | 32402-ZF5-V00     | CORD, MAGNET SWITCH            | 1               |                       |
| 007        | 32411-ZV4-811     | COVER, STARTER TERMINAL        | 1               |                       |
| 008        | 32412-ZV4-811     | COVER, MAGNETIC SWITCHTERMINAL | 1               |                       |
| 009        | 35850-ZF5-V01     | SWITCH ASSY., STARTER MAGNETIC | 1               |                       |
| 010        | 91504-ZF5-V00     | COLLAR, DISTANCE               | 2               |                       |
| 011        | 94070-06080       | NUT-WASHER, 6MM                | 2               |                       |
| 012        | 94301-10120       | DOWEL PIN, 10X12               | 2               |                       |
| 013        | 95701-0803500     | BOLT, FLANGE, 8X35             | 2               |                       |
| <u>Ref</u> | <u>Partnumber</u> | <u>Description</u>             | <u>GXV340K2</u> | <u>Serial Numbers</u> |
| 014        | 96001-0602500     | BOLT, FLANGE, 6X25             | 2               |                       |



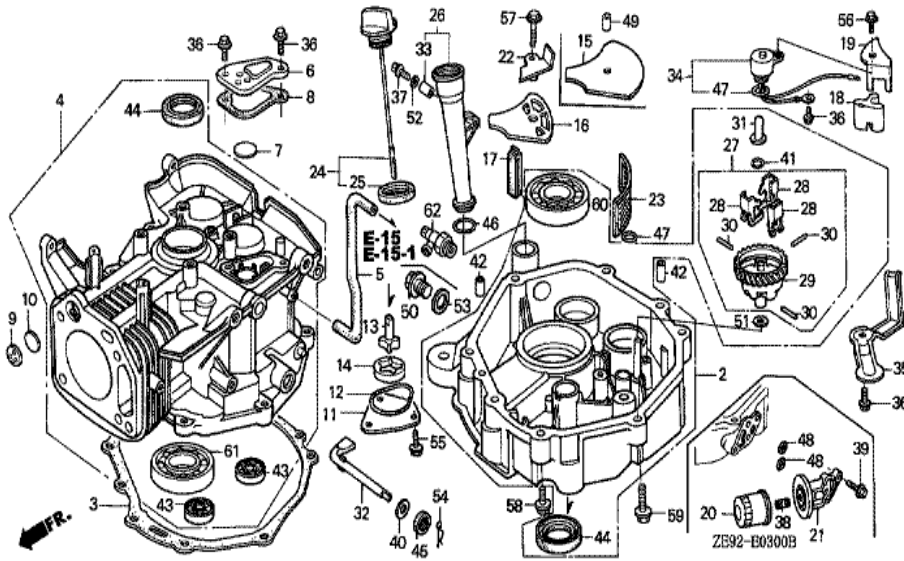
ZE92-E2201B

| <u>Ref</u> | <u>Partnumber</u> | <u>Description</u>         | <u>GXV340K2</u> | <u>Serial Numbers</u> |
|------------|-------------------|----------------------------|-----------------|-----------------------|
| 001        | 16500-ZF5-U20     | CONTROL ASSY.              | 1               | 6025009               |
| 002        | 16539-ZF5-L40     | PLATE, SCREW ADJUST GUARD  | 1               | 6025009               |
| 003        | 16551-ZF5-000     | ARM, GOVERNOR              | 1               | 6025009               |
| 004        | 16555-ZE9-000     | ROD, GOVERNOR              | 1               | 6025009               |
| 005        | 16556-ZE9-000     | ROD, CHOKE                 | 1               | 6025009               |
| 006        | 16557-ZE8-000     | ROD, JOINT                 | 1               | 6025009               |
| 007        | 16561-ZF5-000     | SPRING, GOVERNOR           | 1               | 6025009               |
| 008        | 16563-ZE8-000     | SPRING, GOVERNOR PRIMARY   | 1               | 6025009               |
| 009        | 16574-ZF5-L00     | SPRING, LEVER              | 1               | 6025009               |
| 010        | 16576-891-000     | HOLDER, CABLE              | 1               | 6025009               |
| 011        | 16584-883-300     | SPRING, CONTROL ADJUSTING  | 2               | 6025009               |
| 012        | 16592-732-700     | SPRING, CABLE RETURN       | 1               | 6025009               |
| 013        | 16599-ZG1-M10     | COLLAR, STOPPER            | 1               | 6025009               |
| <u>Ref</u> | <u>Partnumber</u> | <u>Description</u>         | <u>GXV340K2</u> | <u>Serial Numbers</u> |
| 014        | 16619-ZF5-000     | LEVER, CHOKE JOINT         | 1               | 6025009               |
| 015        | 90013-883-000     | BOLT, FLANGE, 6X12 (CT200) | 1               | 6025009               |
| 016        | 90015-ZE5-010     | BOLT, GOVERNOR ARM         | 1               | 6025009               |
| 017        | 90015-ZE8-000     | BOLT, FLANGE, 6MM          | 1               | 6025009               |
| 018        | 90016-ZG1-M10     | SCREW, RECESSED, 5X35      | 1               | 6025009               |
| 019        | 92301-050160A     | BOLT, RECESSED, 5X16       | 1               | 6025009               |
| 020        | 92301-050220A     | BOLT, RECESSED, 5X22       | 1               | 6025009               |
| 021        | 94050-06000       | NUT, FLANGE, 6MM           | 1               | 6025009               |
| 022        | 94101-06800       | WASHER, PLAIN, 6MM         | 1               | 6025009               |



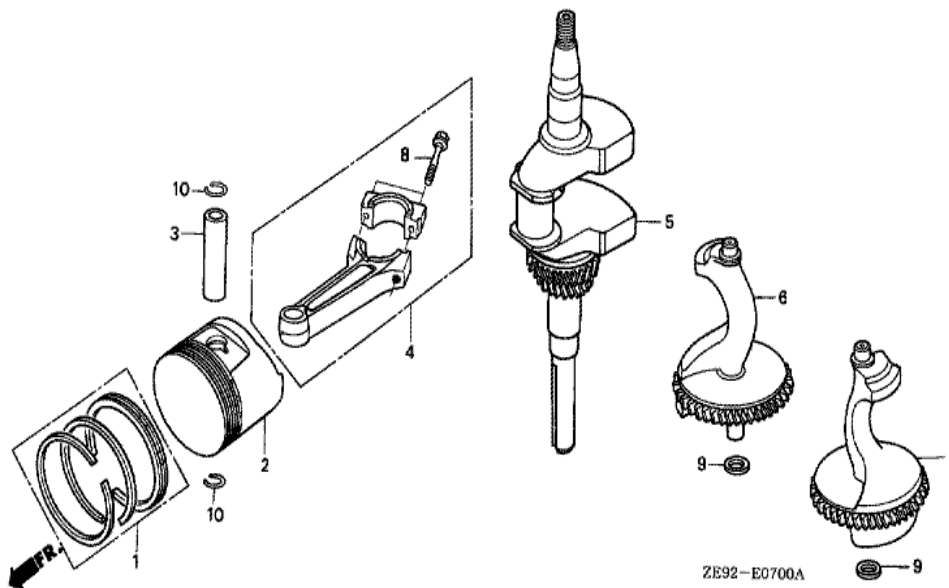
ZB92-E2800B

| Ref | Partnumber    | Description               | GXV340K2 | Serial Numbers |
|-----|---------------|---------------------------|----------|----------------|
| 001 | 87101-ZE9-V01 | EMBLEM, TOP COVER (11.0)  | 1        |                |
| 005 | 87516-ZG0-B50 | MARK, OPERATOR CAUTION    | 1        |                |
| 007 | 87601-ZF5-800 | MARK, TYPE (DCA)          | 1        |                |
| 008 | 99004-21002   | WRENCH, BOX (P21)         | 1        |                |
| 013 | 87135-ZE2-020 | LABEL, E-SPEC (15.5X27.5) | 1        |                |

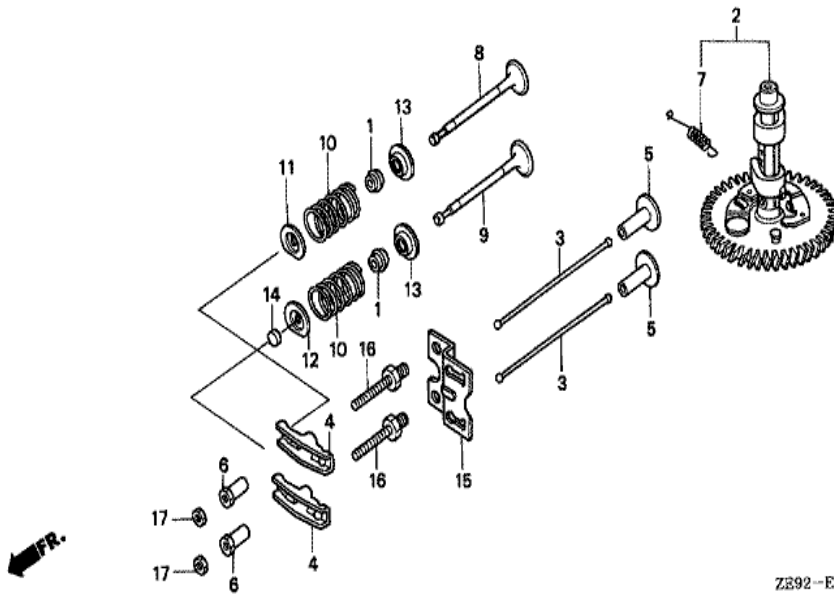


| Ref | Partnumber    | Description            | GXV340K2 | Serial Numbers |
|-----|---------------|------------------------|----------|----------------|
| 002 | 11300-ZF5-W32 | PAN ASSY., OIL         | 1        |                |
| 003 | 11381-ZE9-801 | PACKING, OIL PAN       | 1        |                |
| 004 | 12000-ZE9-604 | BARREL ASSY., CYLINDER | 1        |                |
| 005 | 12315-ZF5-000 | TUBE, BREATHER         | 1        |                |
| 006 | 12370-ZF5-000 | CAP, BREATHER CHAMBER  | 1        |                |
| 007 | 12372-ZE2-300 | VALVE, BREATHER        | 1        |                |
| 008 | 12373-ZE8-000 | PACKING, BREATHER CAP  | 1        |                |
| 009 | 12375-ZE9-010 | PLATE, ONE-WAY VALVE   | 1        |                |
| 010 | 12376-ZE8-000 | VALVE, ONE WAY         | 1        |                |
| 011 | 15130-ZE8-000 | COVER, OIL PUMP        | 1        |                |
| 012 | 15131-ZE9-003 | O-RING, PUMP COVER     | 1        |                |
| 013 | 15330-ZE8-000 | ROTOR COMP., INNER     | 1        |                |
| 014 | 15332-891-003 | ROTOR, OIL PUMP OUTER  | 1        |                |

| <u>Ref</u> | <u>Partnumber</u> | <u>Description</u>         | <u>GXV340K2</u> | <u>Serial Numbers</u> |
|------------|-------------------|----------------------------|-----------------|-----------------------|
| 016        | 15334-ZE8-811     | PLATE, OIL FILTER          | 1               |                       |
| 017        | 15335-ZE9-000     | RUBBER, OIL RETURN         | 1               |                       |
| 018        | 15336-ZE8-000     | STOPPER, OIL               | 1               |                       |
| 019        | 15337-ZE8-000     | PLATE, OIL STOPPER         | 1               |                       |
| 022        | 15420-ZE8-000     | PLATE COMP., SUCTION       | 1               |                       |
| 023        | 15421-ZE9-003     | SCREEN, OIL FILTER         | 1               |                       |
| 024        | 15600-ZF5-000     | CAP ASSY., OIL FILLER      | 1               |                       |
| 025        | 15625-ZE8-000     | PACKING, OIL FILLER CAP    | 1               |                       |
| 026        | 15630-ZE8-000     | EXTENSION, OIL FILLER      | 1               |                       |
| 027        | 16510-ZE3-000     | GOVERNOR ASSY.             | 1               |                       |
| 028        | 16511-ZE8-000     | WEIGHT, GOVERNOR           | 3               |                       |
| 029        | 16512-ZE3-000     | HOLDER, GOVERNOR WEIGHT    | 1               |                       |
| 030        | 16513-ZE2-000     | PIN, GOVERNOR WEIGHT       | 3               |                       |
| 031        | 16531-Z0A-000     | SLIDER, GOVERNOR           | 1               |                       |
| 032        | 16541-ZE8-010     | SHAFT, GOVERNOR ARM        | 1               |                       |
| 033        | 17240-ZE6-000     | COLLAR, EXTENSION          | 1               |                       |
| 034        | 35410-ZF5-003     | SWITCH COMP., OIL LEVEL    | 1               |                       |
| 035        | 35419-ZF5-000     | PROTECTOR, SWITCH          | 1               |                       |
| 036        | 90013-883-000     | BOLT, FLANGE, 6X12 (CT200) | 2               |                       |
| 037        | 90014-ZE6-000     | BOLT, FLANGE, 6X35 (CT200) | 1               |                       |
| 040        | 90406-VM6-000     | WASHER, THRUST, 8.1MM      | 1               |                       |
| 041        | 90602-ZE1-000     | CLIP, GOVERNOR HOLDER      | 1               |                       |
| 042        | 90701-HC4-000     | DOWEL PIN, 8X12            | 2               |                       |
| 043        | 91001-ZF5-003     | BEARING, RADIAL BALL, 6202 | 2               |                       |
| 044        | 91201-ZE3-004     | OIL SEAL, 35X52X8          | 2               |                       |
| 045        | 91203-952-771     | OIL SEAL, 8X14X5           | 1               |                       |
| 046        | 91301-ZE9-003     | O-RING, 22.1X2.2           | 1               |                       |
| 047        | 91302-ZE9-003     | O-RING, 11.8X2.4           | 1               |                       |
| 050        | 92800-20000       | BOLT, DRAIN PLUG, 20MM     | 1               |                       |
| 051        | 94101-06800       | WASHER, PLAIN, 6MM         | 1               |                       |
| 052        | 94103-06700       | WASHER, PLAIN, 6MM         | 1               | 6028241               |
| 053        | 94109-20000       | WASHER, DRAIN PLUG, 20MM   | 1               |                       |
| 054        | 94251-10000       | PIN, LOCK, 10MM            | 1               |                       |
| <u>Ref</u> | <u>Partnumber</u> | <u>Description</u>         | <u>GXV340K2</u> | <u>Serial Numbers</u> |
| 055        | 95701-0601200     | BOLT, FLANGE, 6X12         | 3               |                       |
| 056        | 95701-0601600     | BOLT, FLANGE, 6X16         | 1               |                       |
| 057        | 95701-0602500     | BOLT, FLANGE, 6X25         | 1               |                       |
| 058        | 95701-0804008     | BOLT, FLANGE, 8X40         | 6               |                       |
| 059        | 95701-0806008     | BOLT, FLANGE, 8X60         | 1               |                       |
| 060        | 96100-6207300     | BEARING, RADIAL BALL, 6207 | 1               |                       |
| 061        | 96100-6207300     | BEARING, RADIAL BALL, 6207 | 1               |                       |



| <u>Ref</u> | <u>Partnumber</u> | <u>Description</u>                      | <u>GXV340K2</u> | <u>Serial Numbers</u> |
|------------|-------------------|---|-----------------|-----------------------|
| 001        | 13010-ZE3-003     | RING SET, PISTON (STD.) (NIPPON)        | 1               |                       |
| 001        | 13010-ZE3-005     | RING SET, PISTON (STD.) (TEIKOKU)       | 1               |                       |
| 001        | 13011-ZE3-003     | RING SET, PISTON (0.25) (NIPPON)        | (1)             |                       |
| 001        | 13011-ZE3-005     | RING SET, PISTON (0.25) (TEIKOKU)       | (1)             |                       |
| 001        | 13012-ZE3-003     | RING SET, PISTON (0.50) (NIPPON)        | (1)             |                       |
| 001        | 13012-ZE3-005     | RING SET, PISTON (0.50) (TEIKOKU)       | (1)             |                       |
| 001        | 13013-ZE3-003     | RING SET, PISTON (0.75) (NIPPON)        | (1)             |                       |
| 001        | 13013-ZE3-005     | RING SET, PISTON (0.75) (TEIKOKU)       | (1)             |                       |
| 002        | 13101-ZE3-W00     | PISTON (STD.)                           | 1               |                       |
| 002        | 13102-ZE3-W00     | PISTON (0.25)                           | (1)             |                       |
| 002        | 13103-ZE3-W00     | PISTON (0.50)                           | (1)             |                       |
| 002        | 13104-ZE3-W00     | PISTON (0.75)                           | (1)             |                       |
| 003        | 13111-ZE3-000     | PIN, PISTON                             | 1               |                       |
| <u>Ref</u> | <u>Partnumber</u> | <u>Description</u>                      | <u>GXV340K2</u> | <u>Serial Numbers</u> |
| 004        | 13200-ZE9-010     | ROD ASSY., CONNECTING                   | 1               |                       |
| 004        | 13200-ZE9-315     | ROD ASSY., CONNECTING (0.25 UNDER SIZE) | (1)             |                       |
| 005        | 13310-ZF5-030     | CRANKSHAFT COMP.                        | 1               |                       |
| 006        | 13351-ZE9-603     | WEIGHT A, BALANCER                      | 1               |                       |
| 007        | 13356-ZE9-604     | WEIGHT B, BALANCER                      | 1               |                       |
| 008        | 90001-ZE8-000     | BOLT, CONNECTING ROD                    | 2               |                       |
| 009        | 90417-HA0-000     | WASHER, THRUST, 15MM                    | 2               |                       |
| 010        | 90601-ZE3-000     | CLIP, PISTON PIN, 20MM                  | 2               |                       |



ZB92-E0900

| <u>Ref</u> | <u>Partnumber</u> | <u>Description</u>         | <u>GXV340K2</u> | <u>Serial Numbers</u> |
|------------|-------------------|----------------------------|-----------------|-----------------------|
| 001        | 12209-ZE8-003     | SEAL, VALVE STEM           | 2               |                       |
| 002        | 14100-ZE8-602     | CAMSHAFT ASSY.             | 1               |                       |
| 003        | 14410-ZE3-013     | ROD, PUSH                  | 2               |                       |
| 004        | 14431-ZE2-010     | ARM, VALVE ROCKER          | 2               |                       |
| 005        | 14441-ZE2-000     | LIFTER, VALVE              | 2               |                       |
| 006        | 14451-ZE1-013     | PIVOT, ROCKER ARM          | 2               |                       |
| 007        | 14568-ZE1-000     | SPRING, WEIGHT RETURN      | 1               |                       |
| 008        | 14711-ZE3-000     | VALVE, IN.                 | 1               |                       |
| 009        | 14721-ZE3-000     | VALVE, EX.                 | 1               |                       |
| 010        | 14751-ZE2-003     | SPRING, VALVE              | 2               |                       |
| 011        | 14771-ZE2-000     | RETAINER, IN. VALVE SPRING | 1               |                       |
| 012        | 14773-ZE2-000     | RETAINER, EX. VALVE SPRING | 1               |                       |
| 013        | 14775-ZE2-010     | SEAT, VALVE SPRING         | 2               |                       |
| <u>Ref</u> | <u>Partnumber</u> | <u>Description</u>         | <u>GXV340K2</u> | <u>Serial Numbers</u> |
| 014        | 14781-ZE2-000     | ROTATOR, VALVE             | 1               |                       |
| 015        | 14791-ZE9-010     | GUIDE, PUSH ROD            | 1               | 2104727               |
| 016        | 90012-ZE0-010     | BOLT, PIVOT, 8MM           | 2               |                       |
| 017        | 90206-ZE1-000     | NUT, PIVOT ADJUSTING       | 2               |                       |