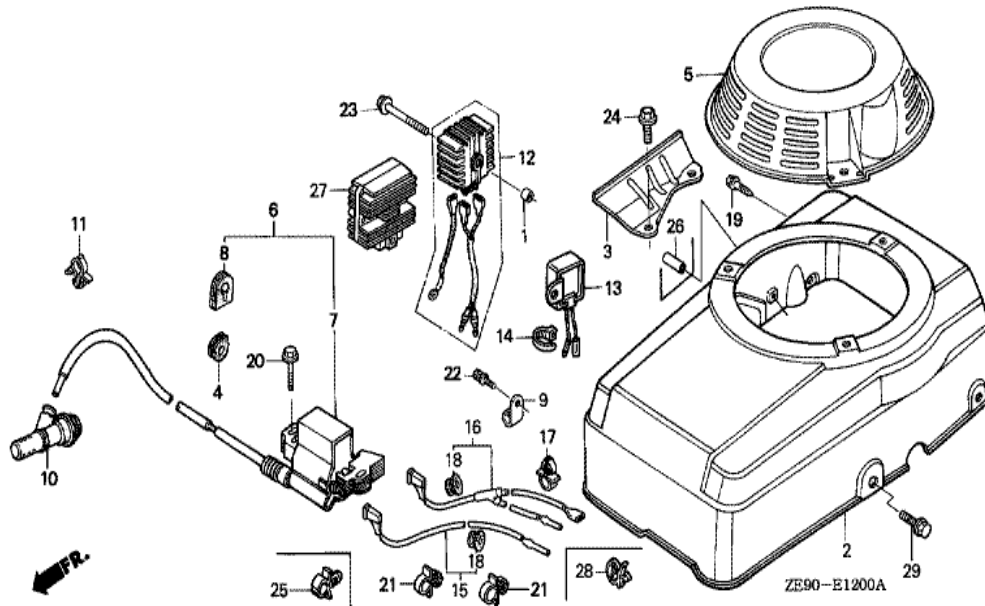
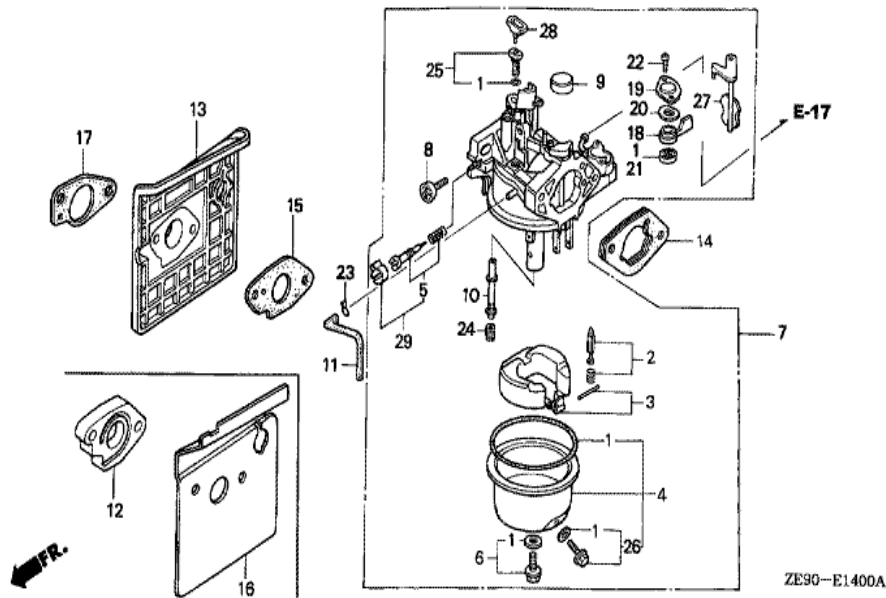


ZE90-E1101A

Ref	Partnumber	Description	GXV340K1	Serial Numbers
001	28400-ZE8-004ZB	STARTER ASSY., RECOIL *R8 *	1	2029295
002	28410-ZE8-004ZB	CASE COMP., RECOIL STARTER *R8 *	1	2029295
003	28421-ZE3-W01	PULLEY, RECOIL STARTER	1	2029295
004	28422-ZE2-W01	RATCHET, STARTER	2	2049069
005	28441-ZE2-W01	SPRING, FRICTION	1	
006	28442-ZE2-W01	SPRING, STARTER RETURN	1	2049069
007	28443-ZE2-W01	SPRING, RATCHET	2	2049069
008	28444-ZE2-W01	RETAINER, SPRING	1	2029295
010	28461-ZE2-W01	GRIP, STARTER	1	2049069
011	28462-ZE2-W01	ROPE, RECOIL STARTER	1	2049069
012	90004-ZE2-W01	SCREW, CENTER	1	2029295
013	96001-0601000	BOLT, FLANGE, 6X10	3	2049069
014	28469-ZE2-W01	REINFORCEMENT, GRIP	1	2029295

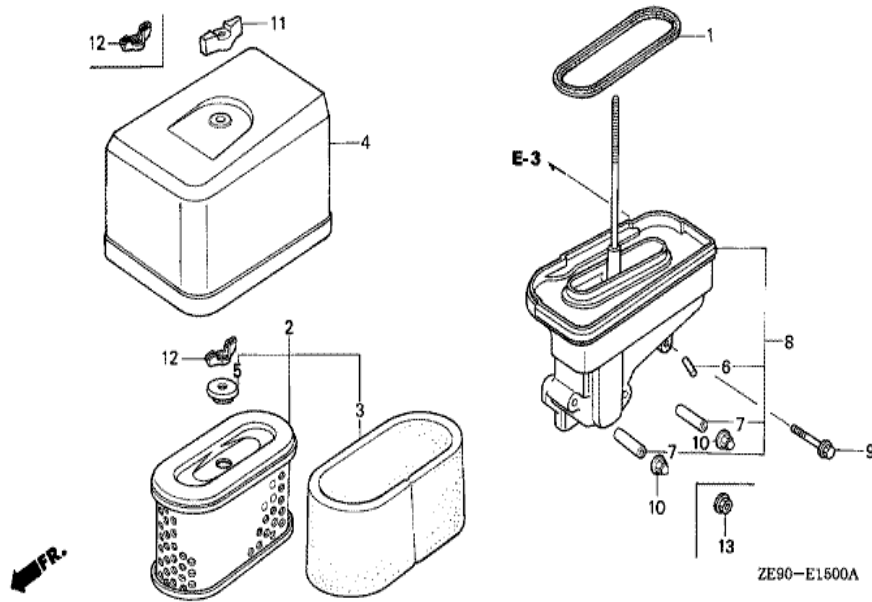


Ref	Partnumber	Description	GXV340K1	Serial Numbers
002	19610-ZF5-010ZA	COVER COMP., FAN *R8 *	1	2073680
003	19612-ZF5-010	PLATE, SIDE	1	2030939
004	19613-ZA8-000	GROMMET, CORD	1	2072745
007	30500-ZE9-L32	COIL ASSY., IGNITION	1	2093311
010	30700-ZF5-013	CAP ASSY., NOISE SUPPRESSOR	1	
015	36101-ZE8-000	CORD, STOP SWITCH	1	1019388
018	80101-166-000	GROMMET, WIRE CORD	1	
019	90013-883-000	BOLT, FLANGE, 6X12 (CT200)	1	
020	90015-883-000	BOLT, FLANGE, 6X28 (CT200)	2	
021	90622-SA7-930	CLIP, WIRE HARNESS	2	
024	95701-0802008	BOLT, FLANGE, 8X20	2	
025	46391-VM0-003	CLIP, BRAKE PIPE (A)	2	

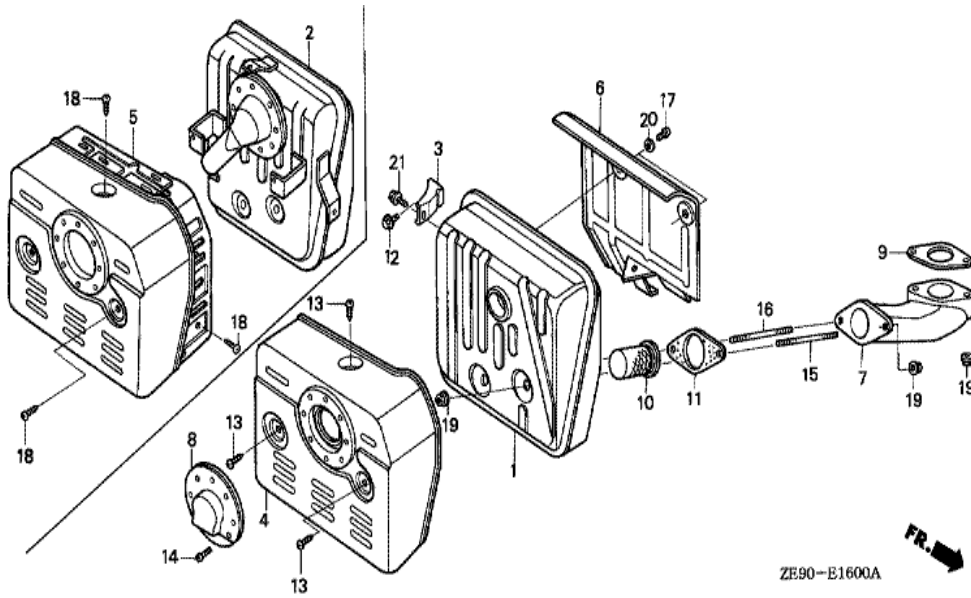


ZE90-E1400A

Ref	Partnumber	Description	GXV340K1	Serial Numbers
001	16010-ZE2-015	GASKET SET	1	BE35A D
002	16011-ZA0-931	VALVE SET, FLOAT	1	
003	16013-ZA0-931	FLOAT SET	1	
004	16015-ZE8-005	CHAMBER SET, FLOAT	1	
006	16028-ZE0-005	SCREW SET	1	
007	16100-ZE9-W01	CARBURETOR ASSY. (BE81A B)	1	
008	16124-ZE0-005	SCREW, THROTTLE STOP	1	
009	16148-141-881	CAP, CHOKE DUST	1	
010	16166-ZE9-W00	NOZZLE, MAIN	1	
011	16199-ZE8-000	TUBE, AIR VENT (75MM)	(1)	
013	16211-ZE9-601	INSULATOR, CARBURETOR	1	
014	16220-ZA0-702	SPACER COMP., CARBURETOR	1	1041398
015	16221-ZE3-800	PACKING, CARBURETOR	1	2057740
Ref	Partnumber	Description	GXV340K1	Serial Numbers
017	16223-ZE9-800	PACKING, INSULATOR	1	2057740
018	16953-ZE1-712	LEVER, COCK	1	
019	16954-ZE1-812	PLATE, LEVER SETTING	1	
020	16956-ZE1-811	SPRING, COCK LEVER	1	
021	16957-ZE1-812	PACKING, FUEL COCK	1	BE35A D
022	93500-030061H	SCREW, PAN, 3X6	2	BE81A B
024	99101-1240820	JET, MAIN, #82	(1)	
024	99101-1240850	JET, MAIN, #85	(1)	
024	99101-ZH70850	JET, MAIN, #85	(1)	
024	99101-ZH70880	JET, MAIN, #88	(1)	
024	99101-ZH70900	JET, MAIN,	1	
025	99204-ZE00380	JET SET, PILOT, #38	1	
026	16024-ZE1-811	SCREW SET, DRAIN	1	
028	16172-ZE3-W10	COLLAR, SETTING	1	
029	16016-ZH7-W01	SCREW SET, PILOT	1	



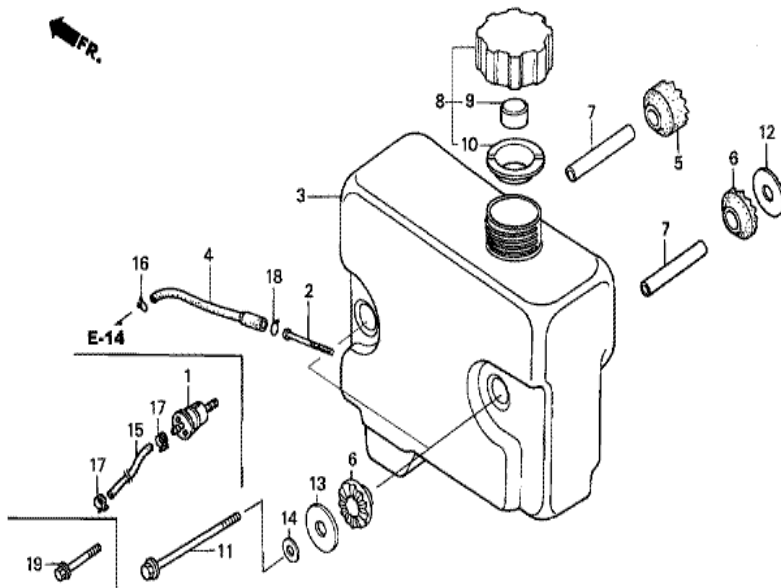
Ref	Partnumber	Description	GXV340K1	Serial Numbers
001	16271-ZE8-000	PACKING, ELBOW	1	
002	17210-ZF5-000	ELEMENT COMP., AIR CLEANER	1	
003	17218-ZF5-000	FILTER, OUTER	1	
004	17230-ZE8-013	COVER, AIR CLEANER (DUAL)	1	
005	17232-891-000	GROMMET, AIR CLEANER	1	
006	17238-ZE1-000	COLLAR, AIR CLEANER	1	
007	17238-ZE2-310	COLLAR, AIR CLEANER	2	1011231
008	17410-ZE8-013	ELBOW COMP., AIR CLEANER	1	1011231
009	90014-ZE6-000	BOLT, FLANGE, 6X35 (CT200)	1	
011	90203-ZA0-800	NUT, WING, 6MM (BLACK)	1	2089061
012	90325-044-000	NUT, TOOL BOX SETTING	1	2093311
013	94050-06000	NUT, FLANGE, 6MM	2	2062469



ZE90-E1600A

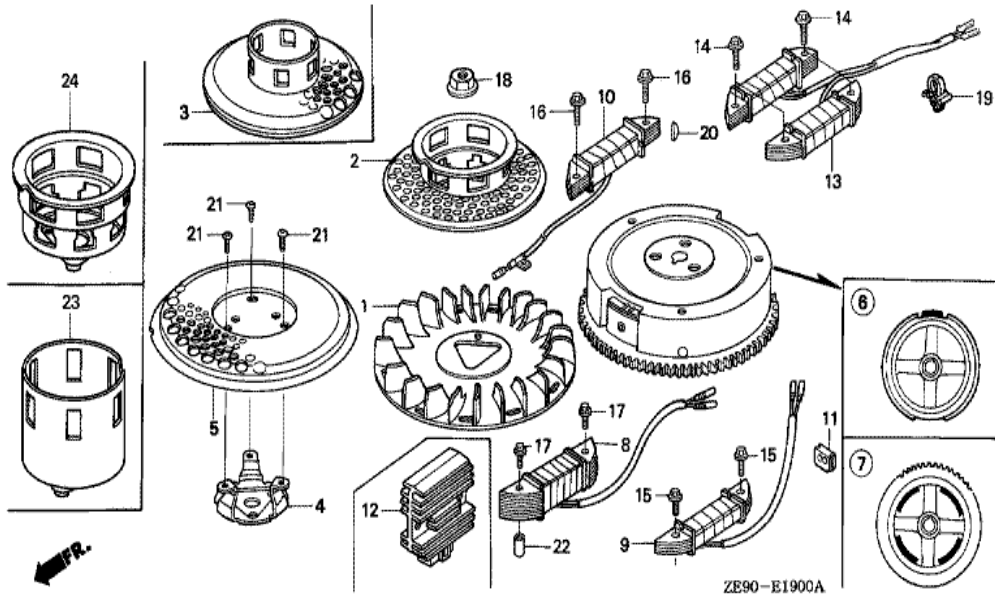


<u>Ref</u>	<u>Partnumber</u>	<u>Description</u>	<u>GXV340K1</u>	<u>Serial Numbers</u>
001	18310-ZE9-003	MUFFLER COMP.	(1)	
003	18318-ZE8-000	STAY COMP., MUFFLER	(1)	
004	18321-ZF5-000	PROTECTOR, MUFFLER	(1)	
006	18325-ZE9-010	SEPARATOR, MUFFLER	1	2073680
007	18331-ZF5-000	PIPE, EX.	(1)	
009	18333-ZE3-800	GASKET, EX. PIPE	1	2038670
011	18382-ZE9-800	GASKET, EX. PIPE	1	
012	90031-883-000	BOLT, FLANGE, 8X16	(1)	
013	90050-ZE1-000	SCREW, TAPPING, 5X8	(3)	
015	92900-080601B	BOLT, STUD, 8X60	(1)	
016	92900-080701B	BOLT, STUD, 8X70	(1)	
017	93500-060060A	SCREW, PAN, 6X6	(3)	
019	94050-08000	NUT, FLANGE, 8MM	4	
<u>Ref</u>	<u>Partnumber</u>	<u>Description</u>	<u>GXV340K1</u>	<u>Serial Numbers</u>
020	94101-06000	WASHER, PLAIN, 6MM	(3)	
021	95701-0801400	BOLT, FLANGE, 8X14	1	

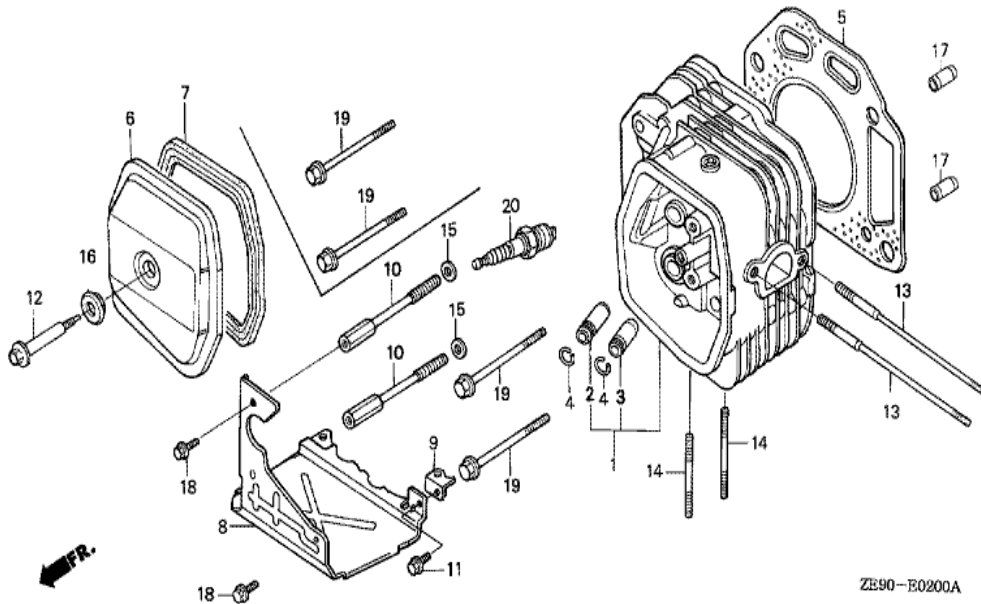


ZE90-E1700A

<u>Ref</u>	<u>Partnumber</u>	<u>Description</u>	<u>GXV340K1</u>	<u>Serial Numbers</u>
002	16952-ZE6-000	STRAINER, FUEL	(1)	
003	17510-ZE9-000	TANK, FUEL	(1)	
004	17512-ZE9-000	TUBE, FUEL	(1)	
005	17516-ZE8-000	RUBBER B, TANK MOUNTING	(1)	
006	17516-896-700	RUBBER B, TANK MOUNTING	(3)	
007	17518-ZE8-000	COLLAR, TANK SETTING	(2)	
008	17620-ZE7-000	CAP ASSY., FUEL TANK	(1)	
009	17622-888-010	SPONGE, FUEL CAP BREATHER	(1)	
010	17624-ZE7-000	PACKING, FUEL CAP	(1)	
011	95801-0809000	BOLT, FLANGE, 8X90	(2)	
012	90455-896-700	WASHER, TANK MOUNTING	(2)	
013	90455-896-700	WASHER, TANK MOUNTING	(2)	
016	95002-02080	CLIP, TUBE (B8)	(1)	
<u>Ref</u>	<u>Partnumber</u>	<u>Description</u>	<u>GXV340K1</u>	<u>Serial Numbers</u>
018	95002-70000	CLIP, TUBE (C11)	(1)	

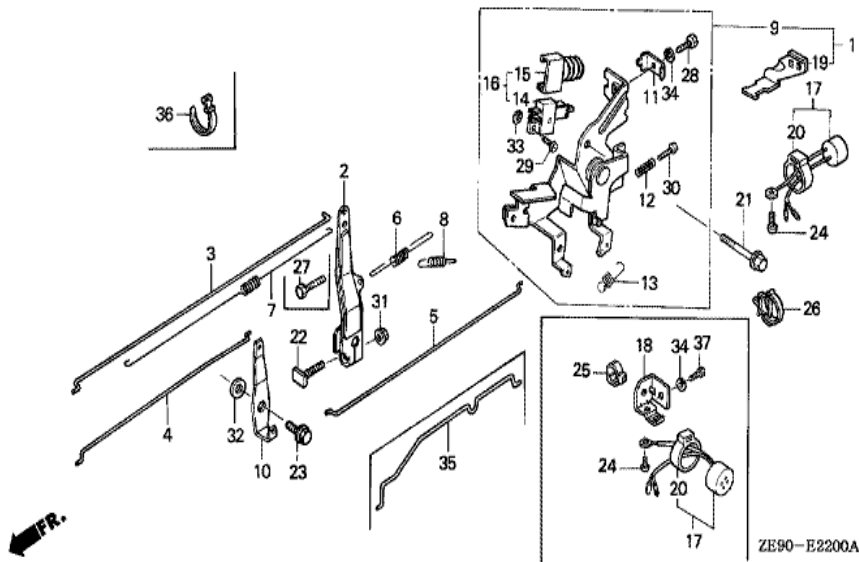


Ref	Partnumber	Description	GXV340K1	Serial Numbers
001	19511-ZE9-010	FAN, COOLING	1	
003	28450-ZE9-004	PULLEY COMP., STARTER (SCREEN GRID)	1	2029295
006	31100-ZE9-010	FLYWHEEL COMP.	1	1108336
018	90201-ZE3-790	NUT, SPECIAL, 16MM	1	2104460
018	90201-ZE3-V00	NUT, SPECIAL, 16MM	1	2104461
020	90741-ZE2-000	KEY, SPECIAL WOODRUFF, 25X18	1	
022	17240-ZE6-000	COLLAR, EXTENSION	1	

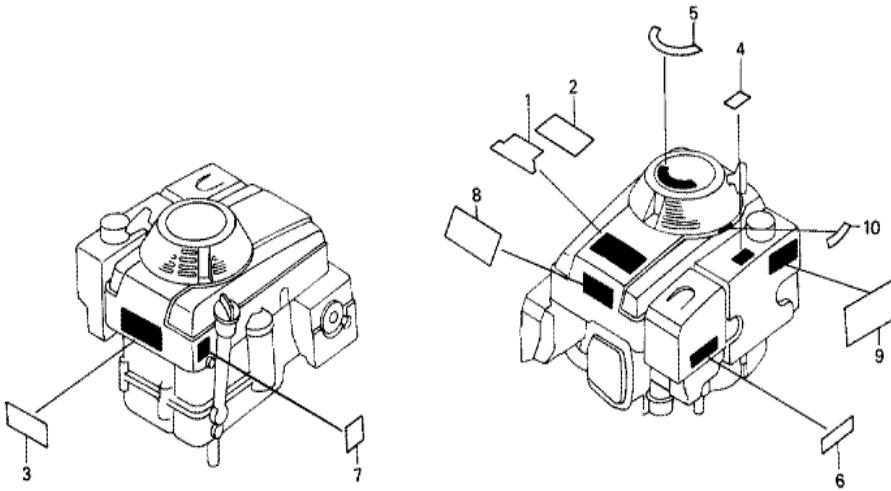


Ref	Partnumber	Description	GXV340K1	Serial Numbers
-----	------------	-------------	----------	----------------

001	12200-ZE9-600	HEAD COMP., CYLINDER	1	
002	12204-ZE2-306	GUIDE, IN. VALVE (O.S.)	(1)	2040830
003	12205-ZE2-305	GUIDE, EX. VALVE (OS)	(1)	
004	12216-ZE2-300	CLIP, VALVE GUIDE	2	
005	12251-ZE9-600	GASKET, CYLINDER HEAD	1	
006	12310-ZE8-000	COVER, HEAD	1	
007	12391-ZE8-000	PACKING, HEAD COVER	1	
008	18345-ZF5-010	COVER, UNDER	1	2073680 2098953
008	18345-ZF5-020	COVER, UNDER	1	2099053
009	18347-ZE8-000	STAY COMP., UNDER COVER	(1)	
011	95701-0601200	BOLT, FLANGE, 6X12	1	
012	90014-ZE8-000	BOLT, HEAD COVER	1	
013	90042-ZE8-000	BOLT, STUD, 8X131.5	2	
<u>Ref</u>	<u>Partnumber</u>	<u>Description</u>	<u>GXV340K1</u>	<u>Serial Numbers</u>
014	92900-080320B	BOLT, STUD, 8X32	2	
016	90441-ZE2-010	WASHER COMP., HEAD COVER	1	
017	94301-12200	DOWEL PIN, 12X20	2	
018	90013-883-000	BOLT, FLANGE, 6X12 (CT200)	(3)	
019	95701-1008000	BOLT, FLANGE, 10X80	4	
020	98079-55846	PLUG, SPARK (BPR5ES) (NGK)	1	
020	98079-55855	PLUG, SPARK (W16EPR-U) (DENSO)	1	

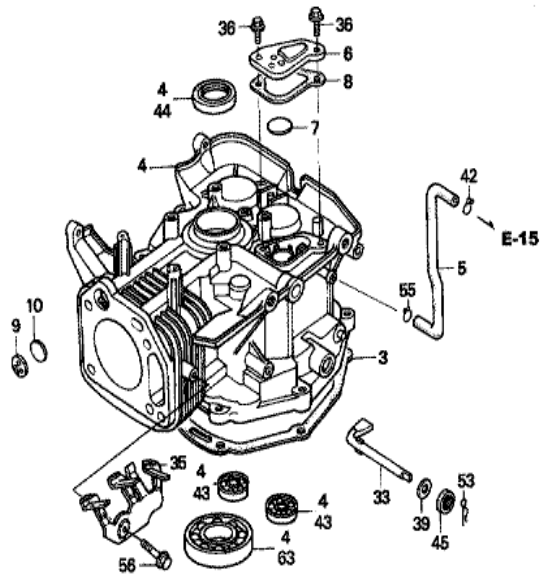


Ref	Partnumber	Description	GXV340K1	Serial Numbers
002	16551-ZF5-000	ARM, GOVERNOR	1	
003	16555-ZE9-000	ROD, GOVERNOR	1	
004	16556-ZE9-000	ROD, CHOKE	1	
006	16561-ZF5-000	SPRING, GOVERNOR	1	
008	16563-ZE8-000	SPRING, GOVERNOR PRIMARY	1	
009	16500-ZF5-000	CONTROL ASSY.	1	2103046
009	16500-ZF5-010	CONTROL ASSY.	1	2103047
010	16619-ZF5-000	LEVER, CHOKE JOINT	1	
011	16576-891-000	HOLDER, CABLE	1	
012	16584-883-300	SPRING, CONTROL ADJUSTING	1	
013	16592-732-700	SPRING, CABLE RETURN	1	1035016
014	35330-ZG1-751	SWITCH ASSY., ENGINE	1	
015	35336-750-003	COVER, SWITCH	1	
Ref	Partnumber	Description	GXV340K1	Serial Numbers
016	36100-ZE8-003	SWITCH ASSY., ENGINE STOP	1	
021	90013-883-000	BOLT, FLANGE, 6X12 (CT200)	1	
022	90015-ZE5-010	BOLT, GOVERNOR ARM	1	1035471
023	90015-ZE8-000	BOLT, FLANGE, 6MM	1	
024	90050-ZE1-000	SCREW, TAPPING, 5X8	1	
028	92301-050141A	BOLT, RECESSED, 5X14	1	2103047
028	92301-050160A	BOLT, RECESSED, 5X16	1	2062469 2103046
029	93500-040140A	SCREW, PAN, 4X14	1	
030	93500-050200A	SCREW, PAN, 5X20	1	
031	94050-06000	NUT, FLANGE, 6MM	1	
032	94101-06800	WASHER, PLAIN, 6MM	1	
033	94111-04000	WASHER, SPRING, 4MM	1	
034	94111-05000	WASHER, SPRING, 5MM	2	
035	16557-ZE8-810	ROD, JOINT	1	1019389



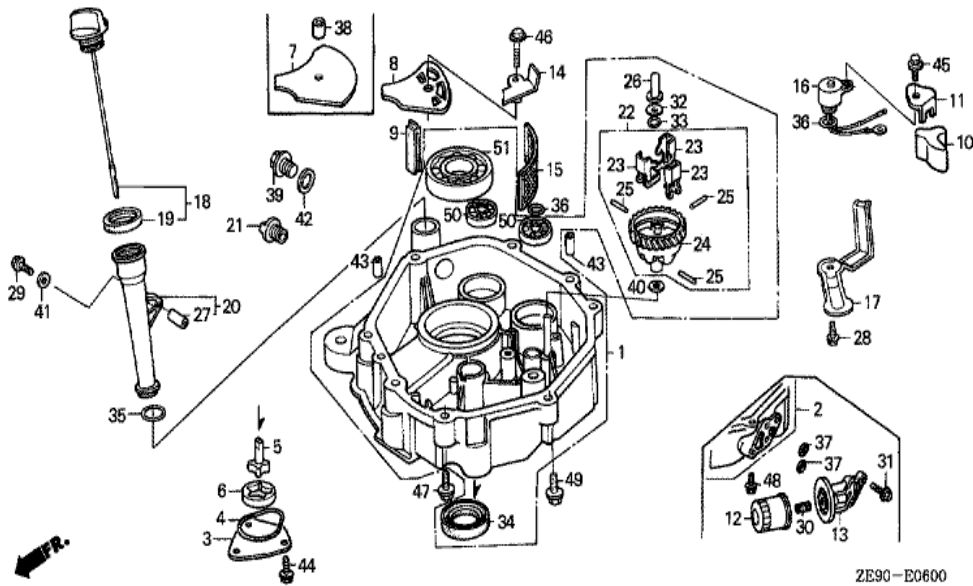
ZE90-E2800

Ref	Partnumber	Description	GXV340K1	Serial Numbers
002	87101-ZE9-810	EMBLEM, TOP COVER (OIL ALERT)	1	2073680
003	87105-ZE9-600	LABEL, EMBLEM (ENGLISH/FRENCH/GERMAN)	1	
004	87106-ZE8-000	LABEL, FUEL CAUTION (ENGLISH)	(1)	
006	87524-ZE8-000	MARK, AIR CLEANER CAUTION	1	
010	87586-ZH7-W00	LABEL, FUEL CAUTION	1	2096793



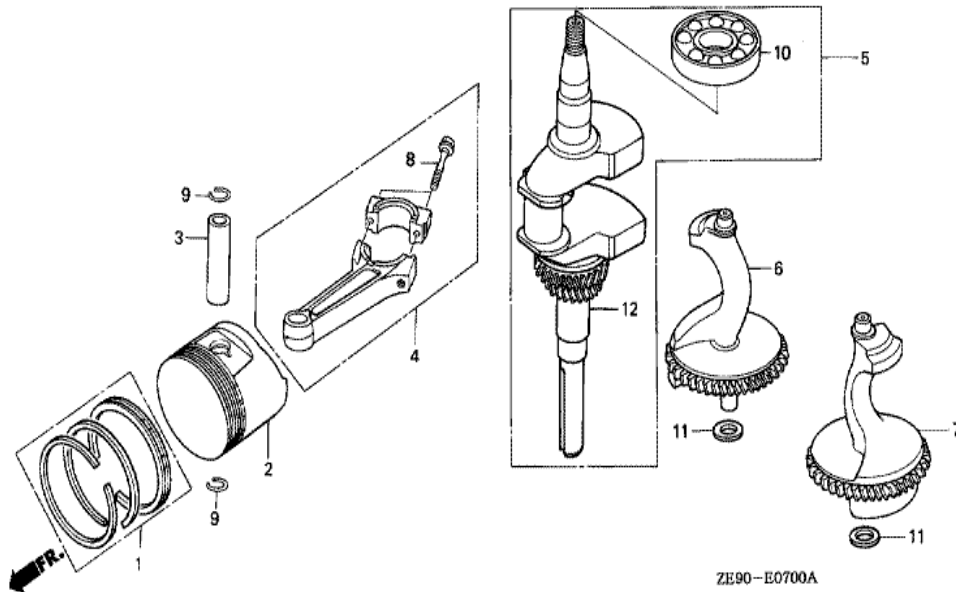
ZE90-E0300A

Ref	Partnumber	Description	GXV340K1	Serial Numbers
003	11381-ZE9-800	PACKING, OIL PAN	1	2057740
004	12000-ZE9-600	BARREL ASSY., CYLINDER	1	2025307 2099658
004	12000-ZE9-601	BARREL ASSY., CYLINDER	1	2099659 2100576
004	12000-ZE9-603	BARREL ASSY., CYLINDER	1	2100577
005	12315-ZF5-000	TUBE, BREATHER	1	
006	12370-ZF5-000	CAP, BREATHER CHAMBER	1	
007	12372-ZE2-300	VALVE, BREATHER	1	
008	12373-ZE8-000	PACKING, BREATHER CAP	1	
033	16541-ZE8-000	SHAFT, GOVERNOR ARM	1	2096049
033	16541-ZE8-010	SHAFT, GOVERNOR ARM	1	2096050
036	90013-883-000	BOLT, FLANGE, 6X12 (CT200)	2	
039	90406-VM6-000	WASHER, THRUST, 8.1MM	1	
043	91001-ZF5-003	BEARING, RADIAL BALL, 6202	2	
<u>Ref</u>	<u>Partnumber</u>	<u>Description</u>	<u>GXV340K1</u>	<u>Serial Numbers</u>
044	91201-ZE3-004	OIL SEAL, 35X52X8	1	
045	91203-952-771	OIL SEAL, 8X14X5	1	
053	94251-08000	PIN, LOCK, 8MM	1	2096049
053	94251-10000	PIN, LOCK, 10MM	1	2096050
055	95002-70000	CLIP, TUBE (C11)	1	2062388
063	96100-6207300	BEARING, RADIAL BALL, 6207	1	2099659

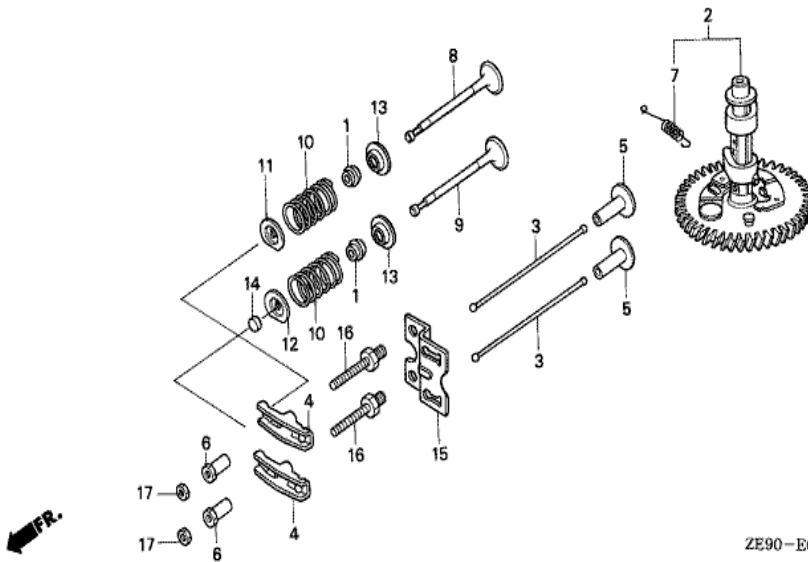


Ref	Partnumber	Description	GXV340K1	Serial Numbers
002	11300-ZF5-W01	PAN ASSY., OIL	1	2096792
002	11300-ZF5-W02	PAN ASSY., OIL	1	2096793 2102494
002	11300-ZF5-W03	PAN ASSY., OIL	1	2102495
003	15130-ZE8-000	COVER, OIL PUMP	1	
004	15131-ZE9-003	O-RING, PUMP COVER	1	
005	15330-ZE8-000	ROTOR COMP., INNER	1	
006	15332-891-003	ROTOR, OIL PUMP OUTER	1	
007	15334-ZE8-010	PLATE, OIL FILTER	1	1010001
009	15335-ZE9-000	RUBBER, OIL RETURN	1	
012	15400-ZJ1-004	CARTRIDGE, OIL FILTER (TOYO ROKI)	1	
013	15411-ZF5-W00	BASE, OIL FILTER	1	
015	15421-ZE9-003	SCREEN, OIL FILTER	1	1027171
018	15600-ZF5-000	CAP ASSY., OIL FILLER	1	

<u>Ref</u>	<u>Partnumber</u>	<u>Description</u>	<u>GXV340K1</u>	<u>Serial Numbers</u>
019	15625-ZE8-000	PACKING, OIL FILLER CAP	1	
020	15630-ZE8-000	EXTENSION, OIL FILLER	1	
022	16510-ZE3-000	GOVERNOR ASSY.	1	2086153
022	16510-ZE8-000	GOVERNOR ASSY.	1	2086152
023	16511-ZE8-000	WEIGHT, GOVERNOR	3	
024	16512-ZE3-000	HOLDER, GOVERNOR WEIGHT	1	2086153
024	16512-ZE8-000	HOLDER, GOVERNOR WEIGHT	1	
025	16513-ZE2-000	PIN, GOVERNOR WEIGHT	3	
026	16531-Z0A-000	SLIDER, GOVERNOR	1	
027	17240-ZE6-000	COLLAR, EXTENSION	1	
029	90014-ZE6-000	BOLT, FLANGE, 6X35 (CT200)	1	
030	90018-PN3-000	HOLDER, OIL FILTER	1	
031	90121-952-000	BOLT, FLANGE, 6X25 (CT200)	2	
033	90602-ZE1-000	CLIP, GOVERNOR HOLDER	1	
034	91201-ZE3-004	OIL SEAL, 35X52X8	1	
035	91301-ZE9-003	O-RING, 22.1X2.2	1	
036	91302-ZE9-003	O-RING, 11.8X2.4	1	
037	91303-HA0-004	O-RING, 11X1.9 (NOK)	2	
038	91501-ZF5-000	COLLAR, OIL FILTER SETTING	1	
039	92800-20000	BOLT, DRAIN PLUG, 20MM	1	
040	94101-06800	WASHER, PLAIN, 6MM	1	
041	94103-06700	WASHER, PLAIN, 6MM	1	
042	94109-20000	WASHER, DRAIN PLUG, 20MM	1	
043	90701-HC4-000	DOWEL PIN, 8X12	2	1108336
044	95701-0601200	BOLT, FLANGE, 6X12	3	
046	95701-0602500	BOLT, FLANGE, 6X25	1	
047	95701-0804008	BOLT, FLANGE, 8X40	6	
048	95701-0806008	BOLT, FLANGE, 8X60	1	2100577
050	96100-6202000	BEARING, RADIAL BALL, 6202	2	2100586
051	96100-6207000	BEARING, RADIAL BALL, 6207	1	2100586
051	96100-6207300	BEARING, RADIAL BALL, 6207	1	2100577

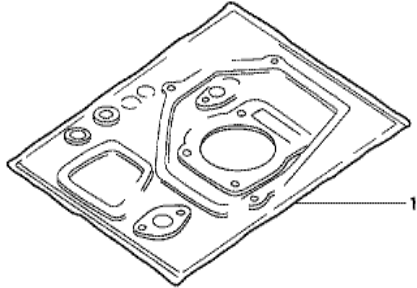


Ref	Partnumber	Description	GXV340K1	Serial Numbers
001	13010-ZE3-003	RING SET, PISTON (STD.) (NIPPON)	1	
001	13010-ZE3-005	RING SET, PISTON (STD.) (TEIKOKU)	1	
001	13011-ZE3-003	RING SET, PISTON (0.25) (NIPPON)	(1)	
001	13011-ZE3-005	RING SET, PISTON (0.25) (TEIKOKU)	(1)	
001	13012-ZE3-003	RING SET, PISTON (0.50) (NIPPON)	(1)	
001	13012-ZE3-005	RING SET, PISTON (0.50) (TEIKOKU)	(1)	
001	13013-ZE3-003	RING SET, PISTON (0.75) (NIPPON)	(1)	
001	13013-ZE3-005	RING SET, PISTON (0.75) (TEIKOKU)	(1)	
002	13101-ZE3-000	PISTON (STD.)	1	
002	13102-ZE3-000	PISTON (0.25)	(1)	
002	13103-ZE3-000	PISTON (0.50)	(1)	
002	13104-ZE3-000	PISTON (0.75)	(1)	
003	13111-ZE3-000	PIN, PISTON	1	
Ref	Partnumber	Description	GXV340K1	Serial Numbers
004	13200-ZE9-010	ROD ASSY., CONNECTING	1	1043483
004	13200-ZE9-315	ROD ASSY., CONNECTING (0.25 UNDER SIZE)	(1)	
006	13351-ZE9-600	WEIGHT A, BALANCER	1	2086152
006	13351-ZE9-601	WEIGHT A, BALANCER	1	
006	13351-ZE9-602	WEIGHT A, BALANCER	1	2100577 2103046
006	13351-ZE9-603	WEIGHT A, BALANCER	1	2103047
007	13356-ZE9-600	WEIGHT B, BALANCER	1	2086152
007	13356-ZE9-601	WEIGHT B, BALANCER	1	2086153 2100576
007	13356-ZE9-602	WEIGHT B, BALANCER	1	2100577 2100586
007	13356-ZE9-603	WEIGHT B, BALANCER	1	2100587 2103046
007	13356-ZE9-604	WEIGHT B, BALANCER	1	2103047
008	90001-ZE8-000	BOLT, CONNECTING ROD	2	
009	90601-ZE3-000	CLIP, PISTON PIN, 20MM	2	
010	96100-6207000	BEARING, RADIAL BALL, 6207	1	2098953
011	90417-HA0-000	WASHER, THRUST, 15MM	2	2100577
012	13310-ZF5-010	CRANKSHAFT COMP.	1	1106371 2087311
012	13310-ZF5-020	CRANKSHAFT COMP.	1	2087312 2098293
012	13310-ZF5-030	CRANKSHAFT COMP.	1	2098954



ZE90-E0900

Ref	Partnumber	Description	GXV340K1	Serial Numbers
001	12209-ZE8-003	SEAL, VALVE STEM	2	
002	14100-ZE8-600	CAMSHAFT ASSY.	1	2086152
002	14100-ZE8-601	CAMSHAFT ASSY.	1	2086153
003	14410-ZE3-013	ROD, PUSH	2	1102355
004	14431-ZE2-000	ARM, VALVE ROCKER	2	
005	14441-ZE2-000	LIFTER, VALVE	2	
006	14451-ZE1-013	PIVOT, ROCKER ARM	2	2054424
007	14568-ZE1-000	SPRING, WEIGHT RETURN	1	
008	14711-ZE3-000	VALVE, IN.	1	
009	14721-ZE3-000	VALVE, EX.	1	
010	14751-ZE2-003	SPRING, VALVE	2	
011	14771-ZE2-000	RETAINER, IN. VALVE SPRING	1	
012	14773-ZE2-000	RETAINER, EX. VALVE SPRING	1	
<u>Ref</u>	<u>Partnumber</u>	<u>Description</u>	<u>GXV340K1</u>	<u>Serial Numbers</u>
013	14775-ZE2-010	SEAT, VALVE SPRING	2	
014	14781-ZE2-000	ROTATOR, VALVE	1	
015	14791-ZE9-000	GUIDE, PUSH ROD	1	
016	90012-ZE0-010	BOLT, PIVOT, 8MM	2	
017	90206-ZE1-000	NUT, PIVOT ADJUSTING	2	



HENG-X0003

Ref	Partnumber	Description	GXV340K1	Serial Numbers
001	061A1-ZE9-030	GASKET KIT (###)	1	2057740