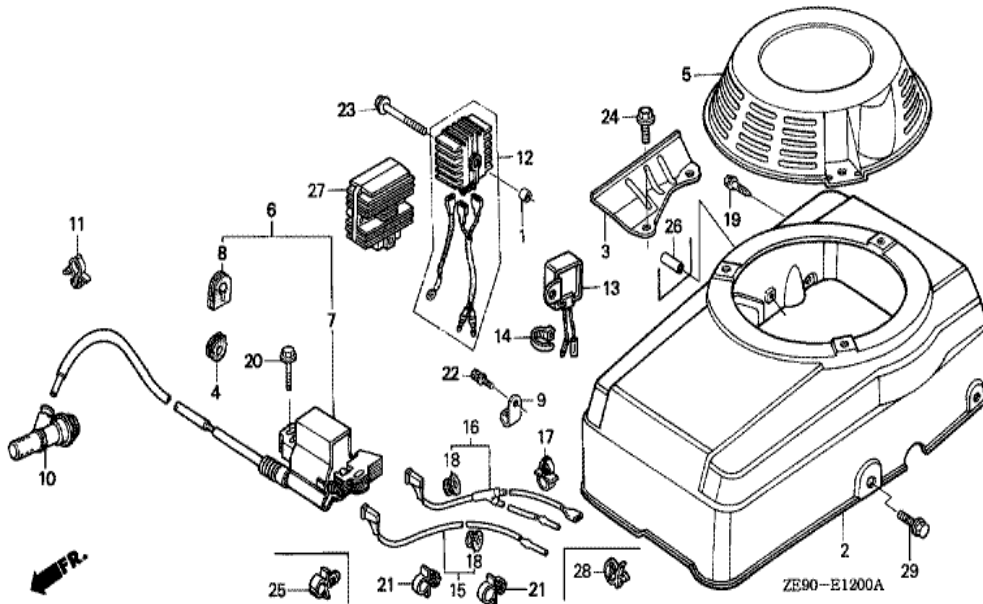
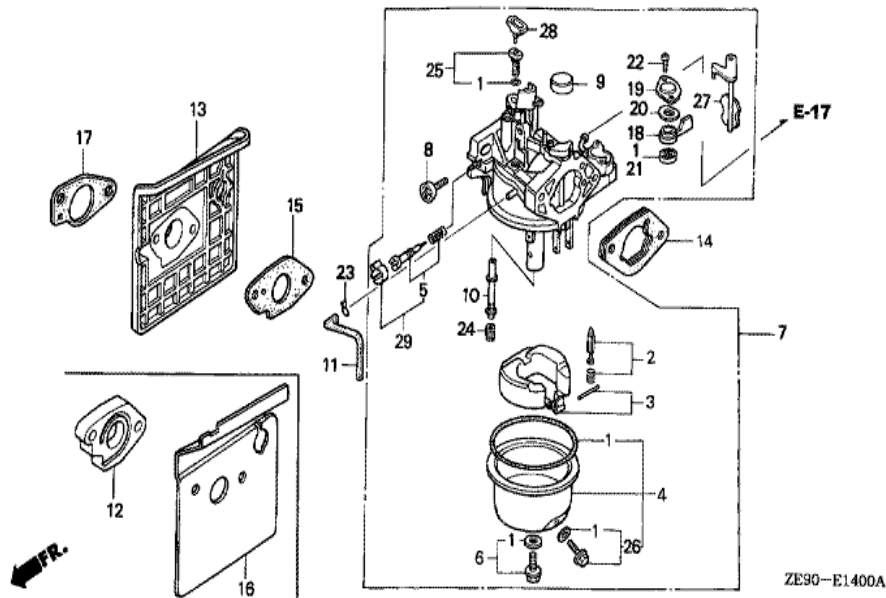


ZE90-E1101A

| Ref | Partnumber      | Description                      | GXV340K1 | Serial Numbers |
|-----|-----------------|----------------------------------|----------|----------------|
| 001 | 28400-ZE8-004ZB | STARTER ASSY., RECOIL *R8 *      | 1        | 2029295        |
| 002 | 28410-ZE8-004ZB | CASE COMP., RECOIL STARTER *R8 * | 1        | 2029295        |
| 003 | 28421-ZE3-W01   | PULLEY, RECOIL STARTER           | 1        | 2029295        |
| 004 | 28422-ZE2-W01   | RATCHET, STARTER                 | 2        | 2049069        |
| 005 | 28441-ZE2-W01   | SPRING, FRICTION                 | 1        |                |
| 006 | 28442-ZE2-W01   | SPRING, STARTER RETURN           | 1        | 2049069        |
| 007 | 28443-ZE2-W01   | SPRING, RATCHET                  | 2        | 2049069        |
| 008 | 28444-ZE2-W01   | RETAINER, SPRING                 | 1        | 2029295        |
| 010 | 28461-ZE2-W01   | GRIP, STARTER                    | 1        | 2049069        |
| 011 | 28462-ZE2-W01   | ROPE, RECOIL STARTER             | 1        | 2049069        |
| 012 | 90004-ZE2-W01   | SCREW, CENTER                    | 1        | 2029295        |
| 013 | 96001-0601000   | BOLT, FLANGE, 6X10               | 3        | 2049069        |
| 014 | 28469-ZE2-W01   | REINFORCEMENT, GRIP              | 1        | 2029295        |

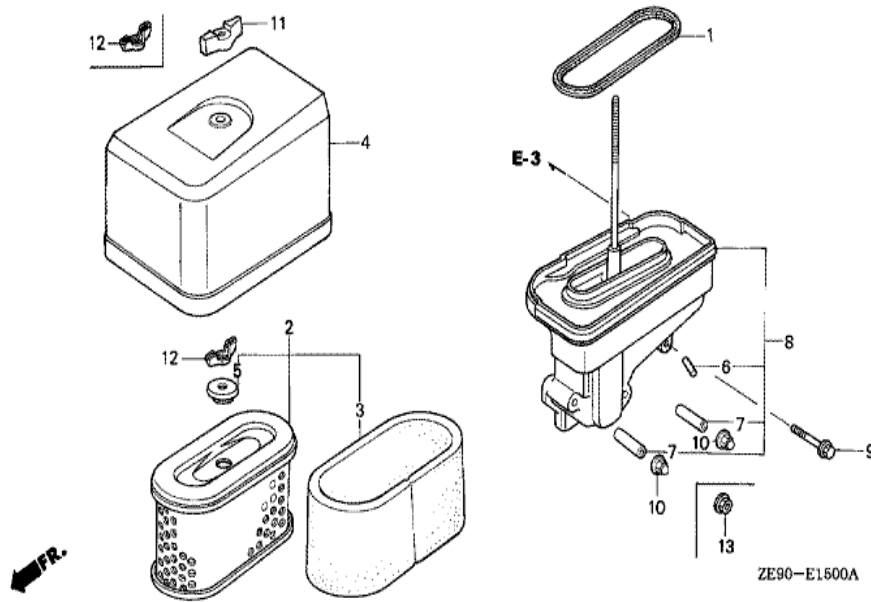


| <u>Ref</u> | <u>Partnumber</u> | <u>Description</u>            | <u>GXV340K1</u> | <u>Serial Numbers</u> |
|------------|-------------------|-------------------------------|-----------------|-----------------------|
| 001        | 17239-ZE8-700     | SPACER, AIR CLEANER ELBOW     | (1)             |                       |
| 002        | 19610-ZF5-801ZA   | COVER COMP., FAN *R8 *        | 1               | 2074655               |
| 004        | 19613-ZA8-000     | GROMMET, CORD                 | 1               | 2072745               |
| 007        | 30500-ZE9-L32     | COIL ASSY., IGNITION          | 1               | 2093311               |
| 010        | 30700-ZF5-013     | CAP ASSY., NOISE SUPPRESSOR   | 1               |                       |
| 012        | 31700-ZE8-003     | RECTIFIER ASSY., SILICON      | (1)             |                       |
| 014        | 32161-404-610     | BAND B1, WIRE                 | (1)             |                       |
| 016        | 36101-ZE8-810     | CORD, STOP SWITCH             | 1               | 1019389               |
| 018        | 80101-166-000     | GROMMET, WIRE CORD            | 1               |                       |
| 019        | 90013-883-000     | BOLT, FLANGE, 6X12 (CT200)    | 1               |                       |
| 020        | 90015-883-000     | BOLT, FLANGE, 6X28 (CT200)    | 2               |                       |
| 021        | 30701-883-000     | CLIP, HIGH TENSION CORD (8MM) | 2               |                       |
| 023        | 95701-0604000     | BOLT, FLANGE, 6X40            | 1               |                       |
| <u>Ref</u> | <u>Partnumber</u> | <u>Description</u>            | <u>GXV340K1</u> | <u>Serial Numbers</u> |
| 025        | 46391-VM0-003     | CLIP, BRAKE PIPE (A)          | 2               |                       |

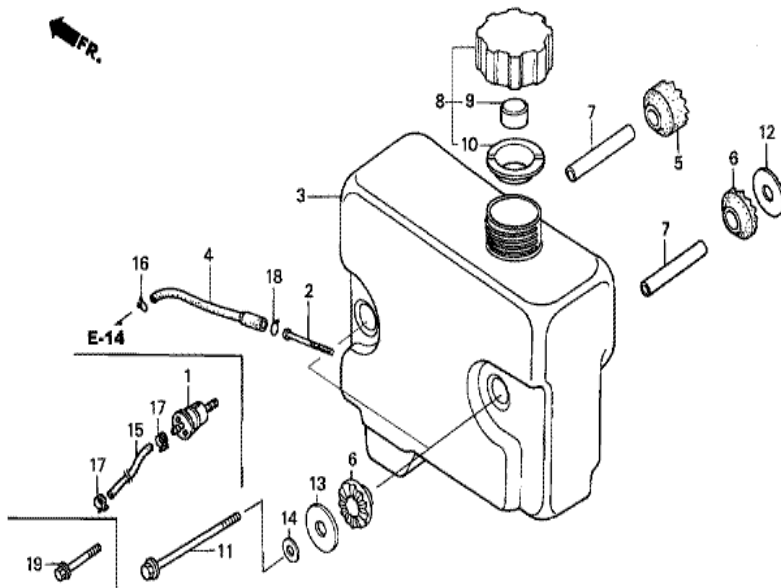


ZE90-E1400A

| <u>Ref</u> | <u>Partnumber</u> | <u>Description</u>         | <u>GXV340K1</u> | <u>Serial Numbers</u> |
|------------|-------------------|----------------------------|-----------------|-----------------------|
| 001        | 16010-ZE2-015     | GASKET SET                 | 1               | BE35A D               |
| 002        | 16011-ZA0-931     | VALVE SET, FLOAT           | 1               |                       |
| 003        | 16013-ZA0-931     | FLOAT SET                  | 1               |                       |
| 004        | 16015-ZE8-005     | CHAMBER SET, FLOAT         | 1               |                       |
| 006        | 16028-ZE0-005     | SCREW SET                  | 1               |                       |
| 007        | 16100-ZE9-W01     | CARBURETOR ASSY. (BE81A B) | 1               |                       |
| 008        | 16124-ZE0-005     | SCREW, THROTTLE STOP       | 1               |                       |
| 009        | 16148-141-881     | CAP, CHOKE DUST            | 1               |                       |
| 010        | 16166-ZE9-W00     | NOZZLE, MAIN               | 1               |                       |
| 011        | 16199-ZE8-000     | TUBE, AIR VENT (75MM)      | (1)             |                       |
| 013        | 16211-ZE9-601     | INSULATOR, CARBURETOR      | 1               |                       |
| 014        | 16220-ZA0-702     | SPACER COMP., CARBURETOR   | 1               | 1041398               |
| 015        | 16221-ZE3-800     | PACKING, CARBURETOR        | 1               | 2057740               |
| <u>Ref</u> | <u>Partnumber</u> | <u>Description</u>         | <u>GXV340K1</u> | <u>Serial Numbers</u> |
| 017        | 16223-ZE9-800     | PACKING, INSULATOR         | 1               | 2057740               |
| 018        | 16953-ZE1-712     | LEVER, COCK                | 1               |                       |
| 019        | 16954-ZE1-812     | PLATE, LEVER SETTING       | 1               |                       |
| 020        | 16956-ZE1-811     | SPRING, COCK LEVER         | 1               |                       |
| 021        | 16957-ZE1-812     | PACKING, FUEL COCK         | 1               | BE35A D               |
| 022        | 93500-030061H     | SCREW, PAN, 3X6            | 2               | BE81A B               |
| 024        | 99101-1240820     | JET, MAIN, #82             | (1)             |                       |
| 024        | 99101-1240850     | JET, MAIN, #85             | (1)             |                       |
| 024        | 99101-ZH70850     | JET, MAIN, #85             | (1)             |                       |
| 024        | 99101-ZH70880     | JET, MAIN, #88             | (1)             |                       |
| 024        | 99101-ZH70900     | JET, MAIN,                 | 1               |                       |
| 025        | 99204-ZE00380     | JET SET, PILOT, #38        | 1               |                       |
| 026        | 16024-ZE1-811     | SCREW SET, DRAIN           | 1               |                       |
| 028        | 16172-ZE3-W10     | COLLAR, SETTING            | 1               |                       |
| 029        | 16016-ZH7-W01     | SCREW SET, PILOT           | 1               |                       |

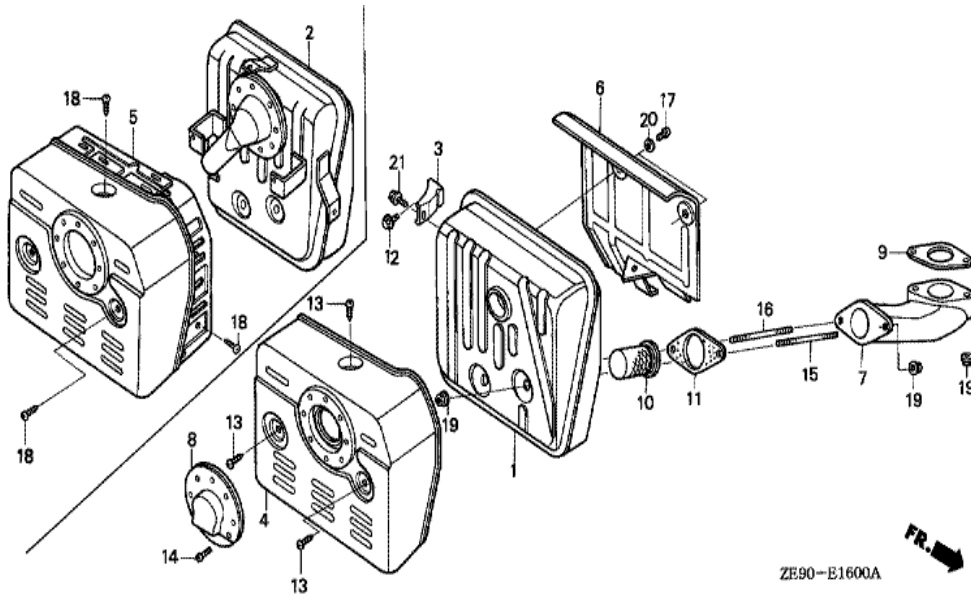


| Ref | Partnumber    | Description                | GXV340K1 | Serial Numbers |
|-----|---------------|----------------------------|----------|----------------|
| 001 | 16271-ZE8-000 | PACKING, ELBOW             | 1        |                |
| 002 | 17210-ZF5-000 | ELEMENT COMP., AIR CLEANER | 1        |                |
| 003 | 17218-ZF5-000 | FILTER, OUTER              | 1        |                |
| 004 | 17230-ZE8-013 | COVER, AIR CLEANER (DUAL)  | 1        |                |
| 005 | 17232-891-000 | GROMMET, AIR CLEANER       | 1        |                |
| 006 | 17238-ZE1-000 | COLLAR, AIR CLEANER        | 1        |                |
| 007 | 17238-ZE2-310 | COLLAR, AIR CLEANER        | 2        | 1011231        |
| 008 | 17410-ZE8-013 | ELBOW COMP., AIR CLEANER   | 1        | 1011231        |
| 009 | 90014-ZE6-000 | BOLT, FLANGE, 6X35 (CT200) | 1        |                |
| 011 | 90203-ZA0-800 | NUT, WING, 6MM (BLACK)     | 1        | 2089061        |
| 012 | 90325-044-000 | NUT, TOOL BOX SETTING      | 1        | 2093311        |
| 013 | 94050-06000   | NUT, FLANGE, 6MM           | 2        | 2062469        |



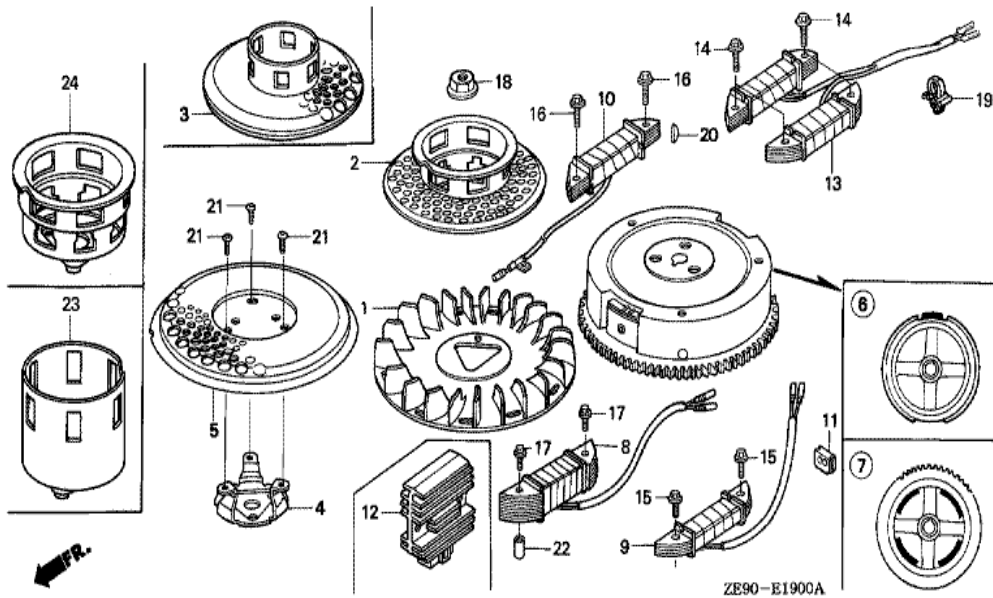
ZE90-E1700A

| Ref        | Partnumber        | Description               | GXV340K1        | Serial Numbers        |
|------------|-------------------|---------------------------|-----------------|-----------------------|
| 002        | 16952-ZE6-000     | STRAINER, FUEL            | (1)             |                       |
| 003        | 17510-ZE9-000     | TANK, FUEL                | (1)             |                       |
| 004        | 17512-ZE9-000     | TUBE, FUEL                | (1)             |                       |
| 005        | 17516-ZE8-000     | RUBBER B, TANK MOUNTING   | (1)             |                       |
| 006        | 17516-896-700     | RUBBER B, TANK MOUNTING   | (3)             |                       |
| 007        | 17518-ZE8-000     | COLLAR, TANK SETTING      | (2)             |                       |
| 008        | 17620-ZE7-000     | CAP ASSY., FUEL TANK      | (1)             |                       |
| 009        | 17622-888-010     | SPONGE, FUEL CAP BREATHER | (1)             |                       |
| 010        | 17624-ZE7-000     | PACKING, FUEL CAP         | (1)             |                       |
| 011        | 95801-0809000     | BOLT, FLANGE, 8X90        | (2)             |                       |
| 012        | 90455-896-700     | WASHER, TANK MOUNTING     | (2)             |                       |
| 013        | 90455-896-700     | WASHER, TANK MOUNTING     | (2)             |                       |
| 016        | 95002-02080       | CLIP, TUBE (B8)           | (1)             |                       |
| <u>Ref</u> | <u>Partnumber</u> | <u>Description</u>        | <u>GXV340K1</u> | <u>Serial Numbers</u> |
| 018        | 95002-70000       | CLIP, TUBE (C11)          | (1)             |                       |

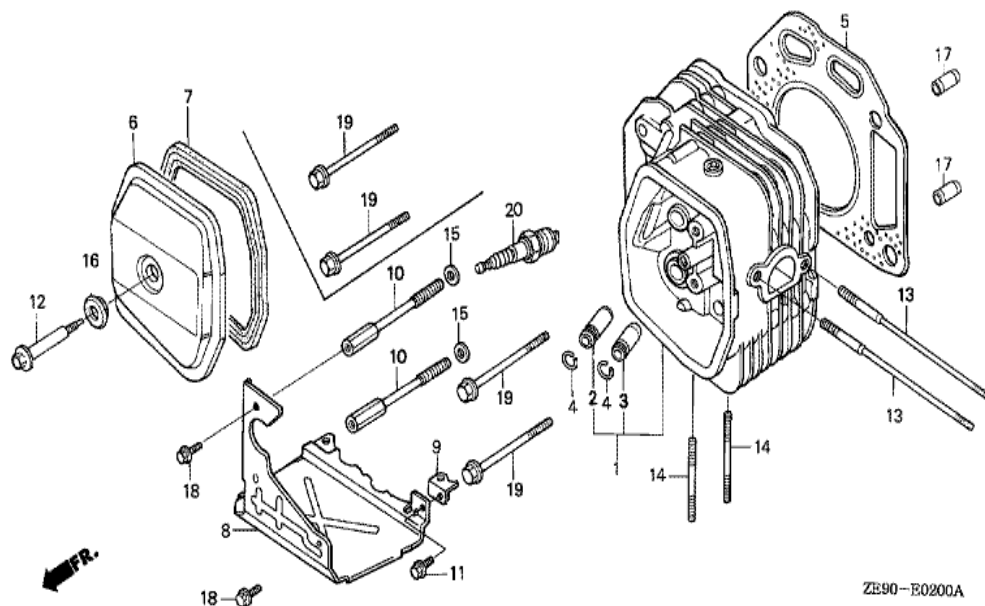


ZE90-E1600A

| <u>Ref</u> | <u>Partnumber</u> | <u>Description</u>  | <u>GXV340K1</u> | <u>Serial Numbers</u> |
|------------|-------------------|---------------------|-----------------|-----------------------|
| 001        | 18310-ZE9-003     | MUFFLER COMP.       | (1)             |                       |
| 003        | 18318-ZE8-000     | STAY COMP., MUFFLER | (1)             |                       |
| 004        | 18321-ZF5-000     | PROTECTOR, MUFFLER  | (1)             |                       |
| 006        | 18325-ZE9-010     | SEPARATOR, MUFFLER  | 1               | 2073680               |
| 007        | 18331-ZF5-000     | PIPE, EX.           | (1)             |                       |
| 008        | 18331-ZE2-810     | CAP, MUFFLER        | (1)             |                       |
| 009        | 18333-ZE3-800     | GASKET, EX. PIPE    | 1               | 2038670               |
| 011        | 18382-ZE9-800     | GASKET, EX. PIPE    | 1               |                       |
| 012        | 90031-883-000     | BOLT, FLANGE, 8X16  | (1)             |                       |
| 013        | 90050-ZE1-000     | SCREW, TAPPING, 5X8 | (3)             |                       |
| 014        | 90055-ZE1-000     | SCREW, TAPPING, 4X6 | (3)             |                       |
| 015        | 92900-080601B     | BOLT, STUD, 8X60    | (1)             |                       |
| 016        | 92900-080701B     | BOLT, STUD, 8X70    | (1)             |                       |
| <u>Ref</u> | <u>Partnumber</u> | <u>Description</u>  | <u>GXV340K1</u> | <u>Serial Numbers</u> |
| 017        | 93500-060060A     | SCREW, PAN, 6X6     | (3)             |                       |
| 019        | 94050-08000       | NUT, FLANGE, 8MM    | 4               |                       |
| 020        | 94101-06000       | WASHER, PLAIN, 6MM  | (3)             |                       |
| 021        | 95701-0801400     | BOLT, FLANGE, 8X14  | 1               |                       |

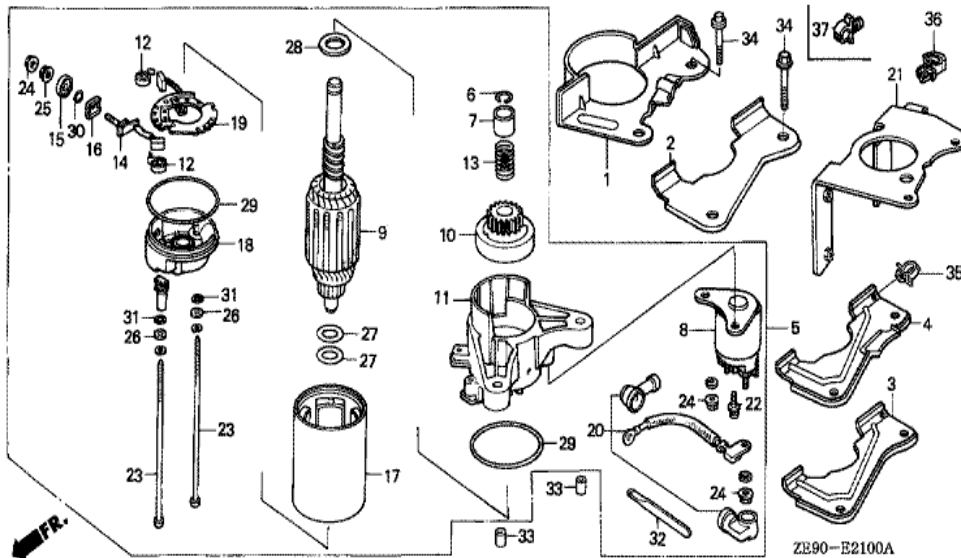


| Ref | Partnumber    | Description                         | GXV340K1 | Serial Numbers |
|-----|---------------|-------------------------------------|----------|----------------|
| 001 | 19511-ZE9-010 | FAN, COOLING                        | 1        |                |
| 003 | 28450-ZE9-004 | PULLEY COMP., STARTER (SCREEN GRID) | 1        | 2029295        |
| 007 | 31100-ZE9-803 | FLYWHEEL COMP. (4POLE)              | (1)      | 1119293        |
| 008 | 31630-ZF5-003 | COIL ASSY., CHARGE                  | (1)      |                |
| 017 | 90015-883-000 | BOLT, FLANGE, 6X28 (CT200)          | 2        | 1027171        |
| 018 | 90201-ZE3-790 | NUT, SPECIAL, 16MM                  | 1        | 2104460        |
| 018 | 90201-ZE3-V00 | NUT, SPECIAL, 16MM                  | 1        | 2104461        |
| 020 | 90741-ZE2-000 | KEY, SPECIAL WOODRUFF, 25X18        | 1        |                |
| 022 | 17240-ZE6-000 | COLLAR, EXTENSION                   | 1        |                |

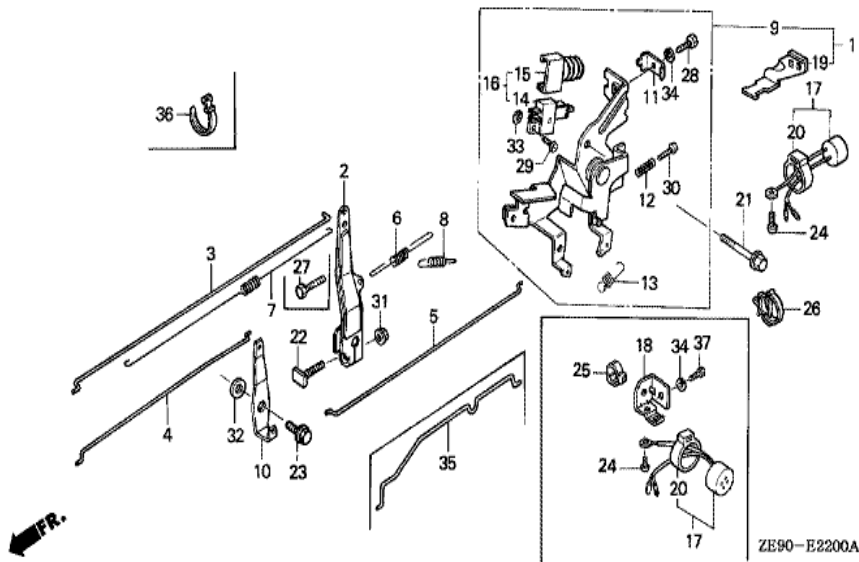


| Ref        | Partnumber        | Description                    | GXV340K1        | Serial Numbers        |
|------------|-------------------|--------------------------------|-----------------|-----------------------|
| 001        | 12200-ZE9-600     | HEAD COMP., CYLINDER           | 1               |                       |
| 002        | 12204-ZE2-306     | GUIDE, IN. VALVE (O.S.)        | (1)             | 2040830               |
| 003        | 12205-ZE2-305     | GUIDE, EX. VALVE (OS)          | (1)             |                       |
| 004        | 12216-ZE2-300     | CLIP, VALVE GUIDE              | 2               |                       |
| 005        | 12251-ZE9-600     | GASKET, CYLINDER HEAD          | 1               |                       |
| 006        | 12310-ZE8-000     | COVER, HEAD                    | 1               |                       |
| 007        | 12391-ZE8-000     | PACKING, HEAD COVER            | 1               |                       |
| 008        | 18345-ZF5-010     | COVER, UNDER                   | 1               | 2073680 2098953       |
| 008        | 18345-ZF5-020     | COVER, UNDER                   | 1               | 2099053               |
| 009        | 18347-ZE8-000     | STAY COMP., UNDER COVER        | (1)             |                       |
| 011        | 95701-0601200     | BOLT, FLANGE, 6X12             | 1               |                       |
| 012        | 90014-ZE8-000     | BOLT, HEAD COVER               | 1               |                       |
| 013        | 90042-ZE8-000     | BOLT, STUD, 8X131.5            | 2               |                       |
| <u>Ref</u> | <u>Partnumber</u> | <u>Description</u>             | <u>GXV340K1</u> | <u>Serial Numbers</u> |
| 014        | 92900-080320B     | BOLT, STUD, 8X32               | 2               |                       |
| 016        | 90441-ZE2-010     | WASHER COMP., HEAD COVER       | 1               |                       |
| 017        | 94301-12200       | DOWEL PIN, 12X20               | 2               |                       |
| 018        | 90013-883-000     | BOLT, FLANGE, 6X12 (CT200)     | (3)             |                       |
| 019        | 95701-1008000     | BOLT, FLANGE, 10X80            | 4               |                       |
| 020        | 98079-55846       | PLUG, SPARK (BPR5ES) (NGK)     | 1               |                       |
| 020        | 98079-55855       | PLUG, SPARK (W16EPR-U) (DENSO) | 1               |                       |

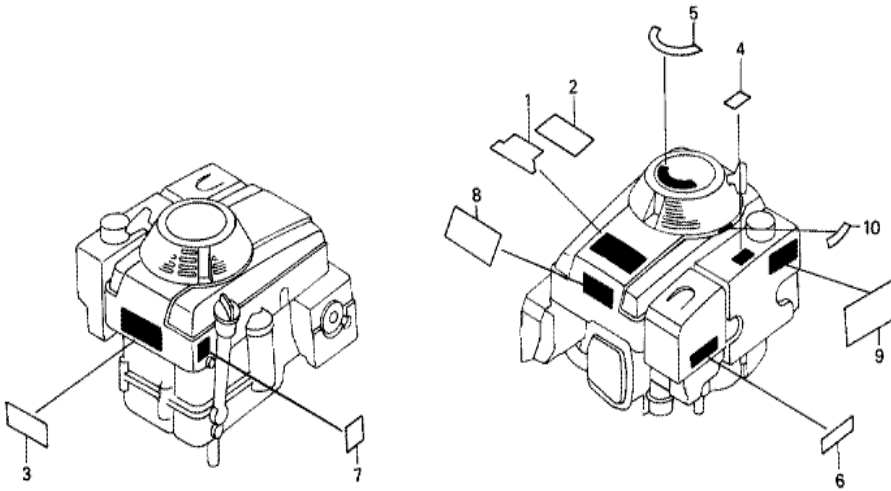




| Ref | Partnumber    | Description               | GXV340K1 | Serial Numbers |
|-----|---------------|---------------------------|----------|----------------|
| 004 | 19612-ZF5-801 | PLATE, SIDE               | 1        | 2030118        |
| 005 | 31200-ZE8-801 | MOTOR ASSY., STARTER      | (1)      |                |
| 006 | 31201-ZA1-003 | RING, SNAP                | (1)      |                |
| 007 | 31202-ZA1-003 | COLLAR, CLUTCH STOP       | (1)      |                |
| 008 | 31204-ZA0-003 | CONTACTOR ASSY.           | (1)      |                |
| 009 | 31206-ZA1-003 | ARMATURE COMP.            | (1)      |                |
| 010 | 31207-ZA1-003 | CLUTCH ASSY., OVERRUNNING | (1)      |                |
| 011 | 31208-ZE8-013 | HOUSING, DRIVE SIDE       | (1)      |                |
| 012 | 31212-ZA0-700 | SPRING, BRUSH             | (2)      |                |
| 013 | 31212-ZE8-003 | SPRING                    | (1)      |                |
| 014 | 31215-ZA1-013 | BRUSH                     | (1)      |                |
| 015 | 31216-ZA1-013 | BUSH, INSULATION          | (1)      |                |
| 016 | 31217-ZA1-013 | BUSH, INSULATION          | (1)      |                |
| 017 | 31218-ZA1-013 | YOKE COMP.                | (1)      |                |
| 018 | 31219-ZE8-003 | FRAME, STARTER END        | (1)      |                |
| 019 | 31231-ZA1-003 | PLATE COMP., BRUSH HOLDER | (1)      |                |
| 020 | 31232-ZE8-003 | WIRE, WATER COVER         | (1)      |                |
| 022 | 90101-ZA1-003 | BOLT                      | (2)      |                |
| 023 | 90102-ZA1-013 | BOLT, THROUGH             | 2        |                |
| 024 | 90201-ZA1-003 | NUT                       | (3)      |                |
| 025 | 90202-ZA1-003 | NUT                       | (1)      |                |
| 027 | 90402-ZA1-003 | WASHER                    | (2)      |                |
| 028 | 90403-ZA1-003 | WASHER                    | (1)      |                |
| 029 | 91301-ZA1-003 | O-RING                    | 2        | 2020474        |
| 030 | 91302-ZA1-013 | O-RING                    | (1)      |                |
| 032 | 91406-ZE8-000 | CLAMP, CORD               | (1)      |                |
| 033 | 94301-10160   | DOWEL PIN, 10X16          | (2)      |                |
| 034 | 95701-0803500 | BOLT, FLANGE, 8X35        | 2        |                |
| 037 | 46391-VM0-003 | CLIP, BRAKE PIPE (A)      | 1        |                |

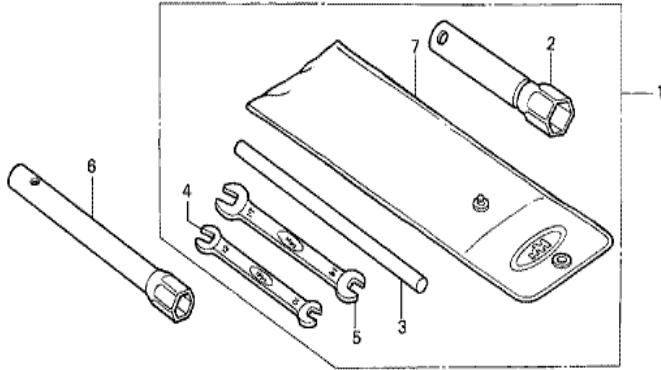


| Ref | Partnumber    | Description                | GXV340K1 | Serial Numbers  |
|-----|---------------|----------------------------|----------|-----------------|
| 002 | 16551-ZF5-000 | ARM, GOVERNOR              | 1        |                 |
| 003 | 16555-ZE9-000 | ROD, GOVERNOR              | 1        |                 |
| 004 | 16556-ZE9-000 | ROD, CHOKE                 | 1        |                 |
| 006 | 16561-ZF5-000 | SPRING, GOVERNOR           | 1        |                 |
| 008 | 16563-ZE8-000 | SPRING, GOVERNOR PRIMARY   | 1        |                 |
| 009 | 16500-ZF5-000 | CONTROL ASSY.              | 1        | 2103046         |
| 009 | 16500-ZF5-010 | CONTROL ASSY.              | 1        | 2103047         |
| 010 | 16619-ZF5-000 | LEVER, CHOKE JOINT         | 1        |                 |
| 011 | 16576-891-000 | HOLDER, CABLE              | 1        |                 |
| 012 | 16584-883-300 | SPRING, CONTROL ADJUSTING  | 1        |                 |
| 013 | 16592-732-700 | SPRING, CABLE RETURN       | 1        | 1035016         |
| 014 | 35330-ZG1-751 | SWITCH ASSY., ENGINE       | 1        |                 |
| 015 | 35336-750-003 | COVER, SWITCH              | 1        |                 |
| Ref | Partnumber    | Description                | GXV340K1 | Serial Numbers  |
| 016 | 36100-ZE8-003 | SWITCH ASSY., ENGINE STOP  | 1        |                 |
| 021 | 90013-883-000 | BOLT, FLANGE, 6X12 (CT200) | 1        |                 |
| 022 | 90015-ZE5-010 | BOLT, GOVERNOR ARM         | 1        | 1035471         |
| 023 | 90015-ZE8-000 | BOLT, FLANGE, 6MM          | 1        |                 |
| 024 | 90050-ZE1-000 | SCREW, TAPPING, 5X8        | 1        |                 |
| 028 | 92301-050141A | BOLT, RECESSED, 5X14       | 1        | 2103047         |
| 028 | 92301-050160A | BOLT, RECESSED, 5X16       | 1        | 2062469 2103046 |
| 029 | 93500-040140A | SCREW, PAN, 4X14           | 1        |                 |
| 030 | 93500-050200A | SCREW, PAN, 5X20           | 1        |                 |
| 031 | 94050-06000   | NUT, FLANGE, 6MM           | 1        |                 |
| 032 | 94101-06800   | WASHER, PLAIN, 6MM         | 1        |                 |
| 033 | 94111-04000   | WASHER, SPRING, 4MM        | 1        |                 |
| 034 | 94111-05000   | WASHER, SPRING, 5MM        | 2        |                 |
| 035 | 16557-ZE8-810 | ROD, JOINT                 | 1        | 1019389         |



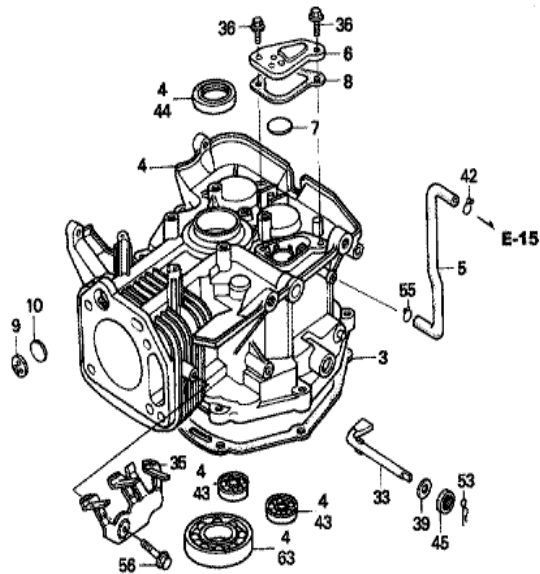
ZE90-E2800

| Ref | Partnumber    | Description                           | GXV340K1 | Serial Numbers |
|-----|---------------|---------------------------------------|----------|----------------|
| 002 | 87101-ZE9-810 | EMBLEM, TOP COVER (OIL ALERT)         | 1        | 2073680        |
| 003 | 87105-ZE9-600 | LABEL, EMBLEM (ENGLISH/FRENCH/GERMAN) | 1        |                |
| 004 | 87106-ZE8-000 | LABEL, FUEL CAUTION (ENGLISH)         | (1)      |                |
| 006 | 87524-ZE8-000 | MARK, AIR CLEANER CAUTION             | 1        |                |
| 010 | 87586-ZH7-W00 | LABEL, FUEL CAUTION                   | 1        | 2096793        |



ZE90-E2900

| Ref | Partnumber  | Description       | GXV340K1 | Serial Numbers |
|-----|-------------|-------------------|----------|----------------|
| 006 | 99004-21002 | WRENCH, BOX (P21) | 1        |                |

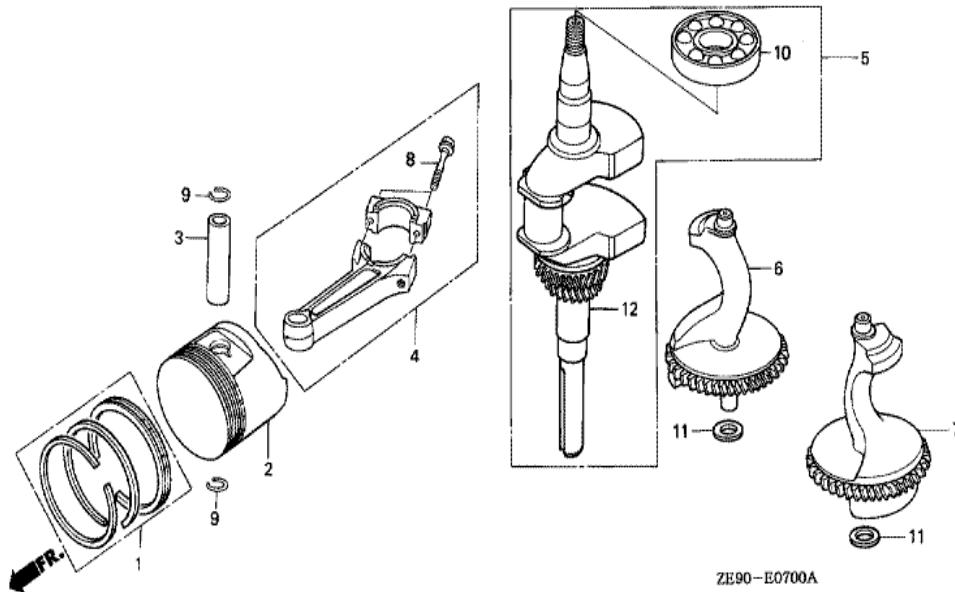


ZE90-E0300A

| Ref        | Partnumber        | Description                | GXV340K1        | Serial Numbers        |
|------------|-------------------|----------------------------|-----------------|-----------------------|
| 003        | 11381-ZE9-800     | PACKING, OIL PAN           | 1               | 2057740               |
| 004        | 12000-ZE9-600     | BARREL ASSY., CYLINDER     | 1               | 2025307 2099658       |
| 004        | 12000-ZE9-601     | BARREL ASSY., CYLINDER     | 1               | 2099659 2100576       |
| 004        | 12000-ZE9-603     | BARREL ASSY., CYLINDER     | 1               | 2100577               |
| 005        | 12315-ZF5-000     | TUBE, BREATHER             | 1               |                       |
| 006        | 12370-ZF5-000     | CAP, BREATHER CHAMBER      | 1               |                       |
| 007        | 12372-ZE2-300     | VALVE, BREATHER            | 1               |                       |
| 008        | 12373-ZE8-000     | PACKING, BREATHER CAP      | 1               |                       |
| 033        | 16541-ZE8-000     | SHAFT, GOVERNOR ARM        | 1               | 2096049               |
| 033        | 16541-ZE8-010     | SHAFT, GOVERNOR ARM        | 1               | 2096050               |
| 036        | 90013-883-000     | BOLT, FLANGE, 6X12 (CT200) | 2               |                       |
| 039        | 90406-VM6-000     | WASHER, THRUST, 8.1MM      | 1               |                       |
| 043        | 91001-ZF5-003     | BEARING, RADIAL BALL, 6202 | 2               |                       |
| <u>Ref</u> | <u>Partnumber</u> | <u>Description</u>         | <u>GXV340K1</u> | <u>Serial Numbers</u> |
| 044        | 91201-ZE3-004     | OIL SEAL, 35X52X8          | 1               |                       |
| 045        | 91203-952-771     | OIL SEAL, 8X14X5           | 1               |                       |
| 053        | 94251-08000       | PIN, LOCK, 8MM             | 1               | 2096049               |
| 053        | 94251-10000       | PIN, LOCK, 10MM            | 1               | 2096050               |
| 055        | 95002-70000       | CLIP, TUBE (C11)           | 1               | 2062388               |
| 063        | 96100-6207300     | BEARING, RADIAL BALL, 6207 | 1               | 2099659               |

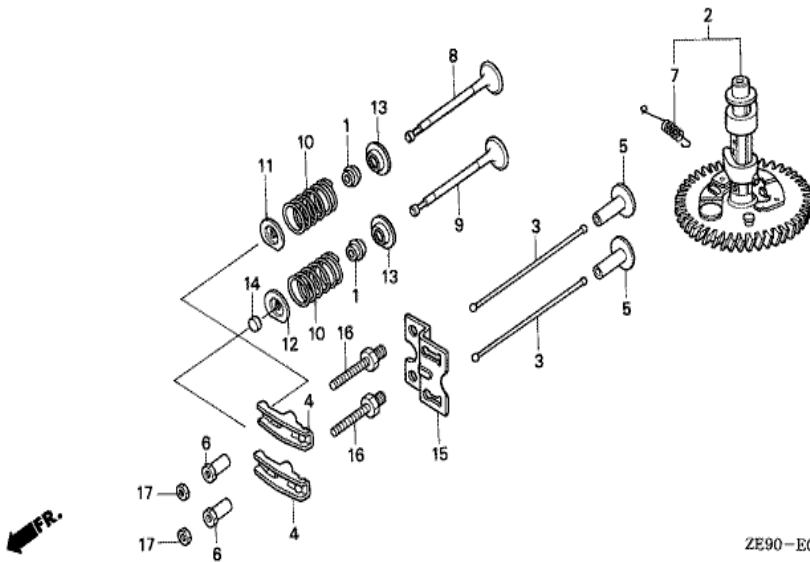


| <u>Ref</u> | <u>Partnumber</u> | <u>Description</u>         | <u>GXV340K1</u> | <u>Serial Numbers</u> |
|------------|-------------------|----------------------------|-----------------|-----------------------|
| 019        | 15625-ZE8-000     | PACKING, OIL FILLER CAP    | 1               |                       |
| 020        | 15630-ZE8-000     | EXTENSION, OIL FILLER      | 1               |                       |
| 022        | 16510-ZE3-000     | GOVERNOR ASSY.             | 1               | 2086153               |
| 022        | 16510-ZE8-000     | GOVERNOR ASSY.             | 1               | 2086152               |
| 023        | 16511-ZE8-000     | WEIGHT, GOVERNOR           | 3               |                       |
| 024        | 16512-ZE3-000     | HOLDER, GOVERNOR WEIGHT    | 1               | 2086153               |
| 024        | 16512-ZE8-000     | HOLDER, GOVERNOR WEIGHT    | 1               |                       |
| 025        | 16513-ZE2-000     | PIN, GOVERNOR WEIGHT       | 3               |                       |
| 026        | 16531-Z0A-000     | SLIDER, GOVERNOR           | 1               |                       |
| 027        | 17240-ZE6-000     | COLLAR, EXTENSION          | 1               |                       |
| 029        | 90014-ZE6-000     | BOLT, FLANGE, 6X35 (CT200) | 1               |                       |
| 030        | 90018-PN3-000     | HOLDER, OIL FILTER         | 1               |                       |
| 031        | 90121-952-000     | BOLT, FLANGE, 6X25 (CT200) | 2               |                       |
| 033        | 90602-ZE1-000     | CLIP, GOVERNOR HOLDER      | 1               |                       |
| 034        | 91201-ZE3-004     | OIL SEAL, 35X52X8          | 1               |                       |
| 035        | 91301-ZE9-003     | O-RING, 22.1X2.2           | 1               |                       |
| 036        | 91302-ZE9-003     | O-RING, 11.8X2.4           | 1               |                       |
| 037        | 91303-HA0-004     | O-RING, 11X1.9 (NOK)       | 2               |                       |
| 038        | 91501-ZF5-000     | COLLAR, OIL FILTER SETTING | 1               |                       |
| 039        | 92800-20000       | BOLT, DRAIN PLUG, 20MM     | 1               |                       |
| 040        | 94101-06800       | WASHER, PLAIN, 6MM         | 1               |                       |
| 041        | 94103-06700       | WASHER, PLAIN, 6MM         | 1               |                       |
| 042        | 94109-20000       | WASHER, DRAIN PLUG, 20MM   | 1               |                       |
| 043        | 90701-HC4-000     | DOWEL PIN, 8X12            | 2               | 1108336               |
| 044        | 95701-0601200     | BOLT, FLANGE, 6X12         | 3               |                       |
| 046        | 95701-0602500     | BOLT, FLANGE, 6X25         | 1               |                       |
| 047        | 95701-0804008     | BOLT, FLANGE, 8X40         | 6               |                       |
| 048        | 95701-0806008     | BOLT, FLANGE, 8X60         | 1               | 2100577               |
| 050        | 96100-6202000     | BEARING, RADIAL BALL, 6202 | 2               | 2100586               |
| 051        | 96100-6207000     | BEARING, RADIAL BALL, 6207 | 1               | 2100586               |
| 051        | 96100-6207300     | BEARING, RADIAL BALL, 6207 | 1               | 2100577               |



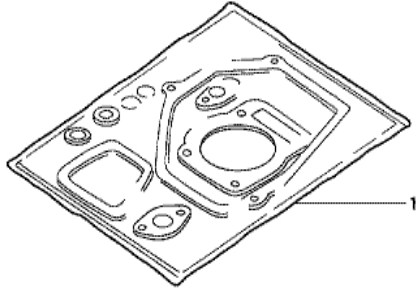
| Ref | Partnumber    | Description                             | GXV340K1 | Serial Numbers  |
|-----|---------------|---|----------|-----------------|
| 001 | 13010-ZE3-003 | RING SET, PISTON (STD.) (NIPPON)        | 1        |                 |
| 001 | 13010-ZE3-005 | RING SET, PISTON (STD.) (TEIKOKU)       | 1        |                 |
| 001 | 13011-ZE3-003 | RING SET, PISTON (0.25) (NIPPON)        | (1)      |                 |
| 001 | 13011-ZE3-005 | RING SET, PISTON (0.25) (TEIKOKU)       | (1)      |                 |
| 001 | 13012-ZE3-003 | RING SET, PISTON (0.50) (NIPPON)        | (1)      |                 |
| 001 | 13012-ZE3-005 | RING SET, PISTON (0.50) (TEIKOKU)       | (1)      |                 |
| 001 | 13013-ZE3-003 | RING SET, PISTON (0.75) (NIPPON)        | (1)      |                 |
| 001 | 13013-ZE3-005 | RING SET, PISTON (0.75) (TEIKOKU)       | (1)      |                 |
| 002 | 13101-ZE3-000 | PISTON (STD.)                           | 1        |                 |
| 002 | 13102-ZE3-000 | PISTON (0.25)                           | (1)      |                 |
| 002 | 13103-ZE3-000 | PISTON (0.50)                           | (1)      |                 |
| 002 | 13104-ZE3-000 | PISTON (0.75)                           | (1)      |                 |
| 003 | 13111-ZE3-000 | PIN, PISTON                             | 1        |                 |
| Ref | Partnumber    | Description                             | GXV340K1 | Serial Numbers  |
| 004 | 13200-ZE9-010 | ROD ASSY., CONNECTING                   | 1        | 1043483         |
| 004 | 13200-ZE9-315 | ROD ASSY., CONNECTING (0.25 UNDER SIZE) | (1)      |                 |
| 006 | 13351-ZE9-600 | WEIGHT A, BALANCER                      | 1        | 2086152         |
| 006 | 13351-ZE9-601 | WEIGHT A, BALANCER                      | 1        |                 |
| 006 | 13351-ZE9-602 | WEIGHT A, BALANCER                      | 1        | 2100577 2103046 |
| 006 | 13351-ZE9-603 | WEIGHT A, BALANCER                      | 1        | 2103047         |
| 007 | 13356-ZE9-600 | WEIGHT B, BALANCER                      | 1        | 2086152         |
| 007 | 13356-ZE9-601 | WEIGHT B, BALANCER                      | 1        | 2086153 2100576 |
| 007 | 13356-ZE9-602 | WEIGHT B, BALANCER                      | 1        | 2100577 2100586 |
| 007 | 13356-ZE9-603 | WEIGHT B, BALANCER                      | 1        | 2100587 2103046 |
| 007 | 13356-ZE9-604 | WEIGHT B, BALANCER                      | 1        | 2103047         |
| 008 | 90001-ZE8-000 | BOLT, CONNECTING ROD                    | 2        |                 |
| 009 | 90601-ZE3-000 | CLIP, PISTON PIN, 20MM                  | 2        |                 |
| 010 | 96100-6207000 | BEARING, RADIAL BALL, 6207              | 1        | 2098953         |
| 011 | 90417-HA0-000 | WASHER, THRUST, 15MM                    | 2        | 2100577         |
| 012 | 13310-ZF5-010 | CRANKSHAFT COMP.                        | 1        | 1106371 2087311 |
| 012 | 13310-ZF5-020 | CRANKSHAFT COMP.                        | 1        | 2087312 2098293 |
| 012 | 13310-ZF5-030 | CRANKSHAFT COMP.                        | 1        | 2098954         |





ZE90-E0900

| Ref | Partnumber    | Description                | GXV340K1 | Serial Numbers |
|-----|---------------|----------------------------|----------|----------------|
| 001 | 12209-ZE8-003 | SEAL, VALVE STEM           | 2        |                |
| 002 | 14100-ZE8-600 | CAMSHAFT ASSY.             | 1        | 2086152        |
| 002 | 14100-ZE8-601 | CAMSHAFT ASSY.             | 1        | 2086153        |
| 003 | 14410-ZE3-013 | ROD, PUSH                  | 2        | 1102355        |
| 004 | 14431-ZE2-000 | ARM, VALVE ROCKER          | 2        |                |
| 005 | 14441-ZE2-000 | LIFTER, VALVE              | 2        |                |
| 006 | 14451-ZE1-013 | PIVOT, ROCKER ARM          | 2        | 2054424        |
| 007 | 14568-ZE1-000 | SPRING, WEIGHT RETURN      | 1        |                |
| 008 | 14711-ZE3-000 | VALVE, IN.                 | 1        |                |
| 009 | 14721-ZE3-000 | VALVE, EX.                 | 1        |                |
| 010 | 14751-ZE2-003 | SPRING, VALVE              | 2        |                |
| 011 | 14771-ZE2-000 | RETAINER, IN. VALVE SPRING | 1        |                |
| 012 | 14773-ZE2-000 | RETAINER, EX. VALVE SPRING | 1        |                |
| Ref | Partnumber    | Description                | GXV340K1 | Serial Numbers |
| 013 | 14775-ZE2-010 | SEAT, VALVE SPRING         | 2        |                |
| 014 | 14781-ZE2-000 | ROTATOR, VALVE             | 1        |                |
| 015 | 14791-ZE9-000 | GUIDE, PUSH ROD            | 1        |                |
| 016 | 90012-ZE0-010 | BOLT, PIVOT, 8MM           | 2        |                |
| 017 | 90206-ZE1-000 | NUT, PIVOT ADJUSTING       | 2        |                |



HENG-X0003

| <u>Ref</u> | <u>Partnumber</u> | <u>Description</u> | <u>GXV340K1</u> | <u>Serial Numbers</u> |
|------------|-------------------|--------------------|-----------------|-----------------------|
| 001        | 061A1-ZE9-030     | GASKET KIT (###)   | 1               | 2057740               |