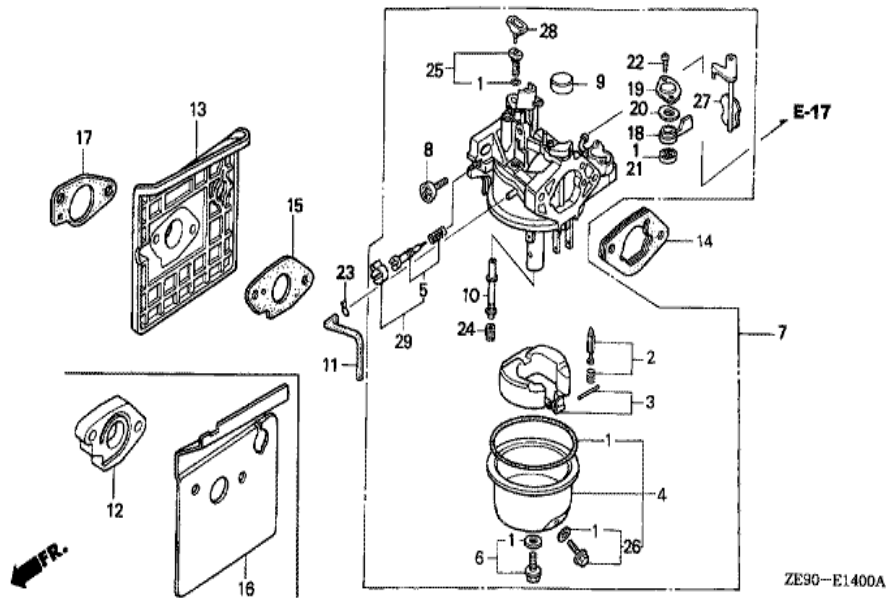
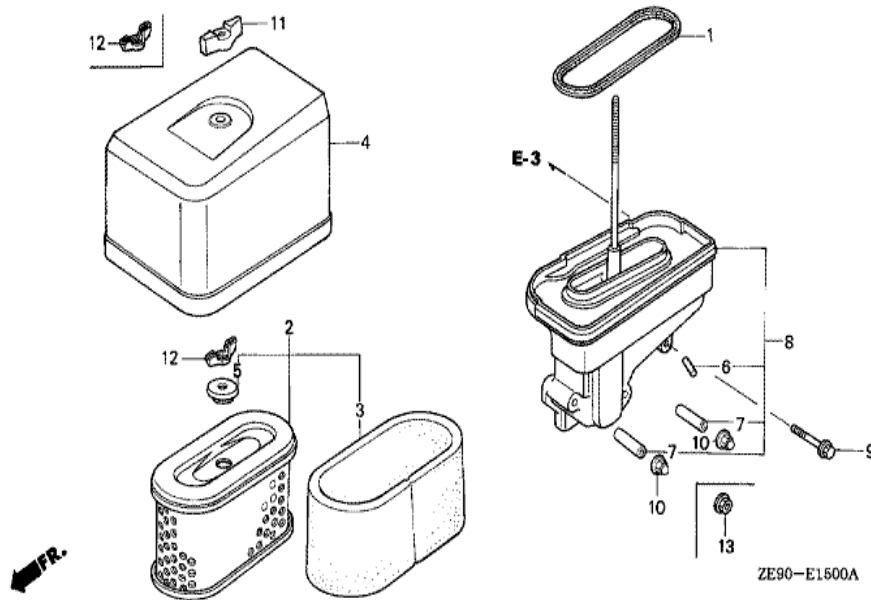


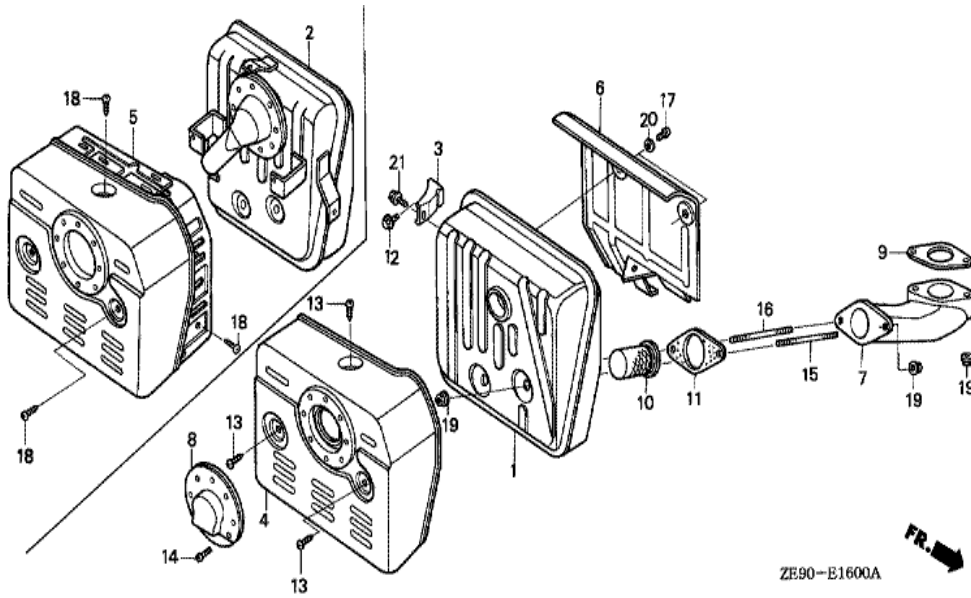
| <u>Ref</u> | <u>Partnumber</u> | <u>Description</u> | <u>GXV340</u> | <u>Serial Numbers</u> |
|------------|-------------------|-----------------------------|---------------|-----------------------|
| 001 | 17239-ZE8-700 | SPACER, AIR CLEANER ELBOW | (1) | |
| 002 | 19610-ZE9-802H | COVER COMP., FAN | (1) | |
| 006 | 30500-ZE9-003 | COIL ASSY., IGNITION | 1 | |
| 008 | 30563-ZE8-000 | GROMMET, HIGH TENSION | 1 | |
| 009 | 30564-ZE8-003 | CLAMPER, HIGH TENSION CORD | 1 | |
| 010 | 30700-ZE8-003 | CAP ASSY., NOISE SUPPRESSOR | 1 | |
| 012 | 31700-ZE8-003 | RECTIFIER ASSY., SILICON | (1) | |
| 015 | 36101-ZE8-000 | CORD, STOP SWITCH | 1 | 1019388 |
| 016 | 36101-ZE8-810 | CORD, STOP SWITCH | 1 | 1019389 |
| 017 | 36103-ZE1-000 | HOLDER, STOP SWITCH CORD | (1) | |
| 018 | 80101-166-000 | GROMMET, WIRE CORD | 1 | |
| 019 | 90013-883-000 | BOLT, FLANGE, 6X12 (CT200) | 1 | |
| 020 | 90015-883-000 | BOLT, FLANGE, 6X28 (CT200) | 2 | |
| <u>Ref</u> | <u>Partnumber</u> | <u>Description</u> | <u>GXV340</u> | <u>Serial Numbers</u> |
| 022 | 93891-0501200 | SCREW-WASHER, 5X12 | 1 | |
| 023 | 95700-0604000 | BOLT, FLANGE, 6X40 | (1) | |



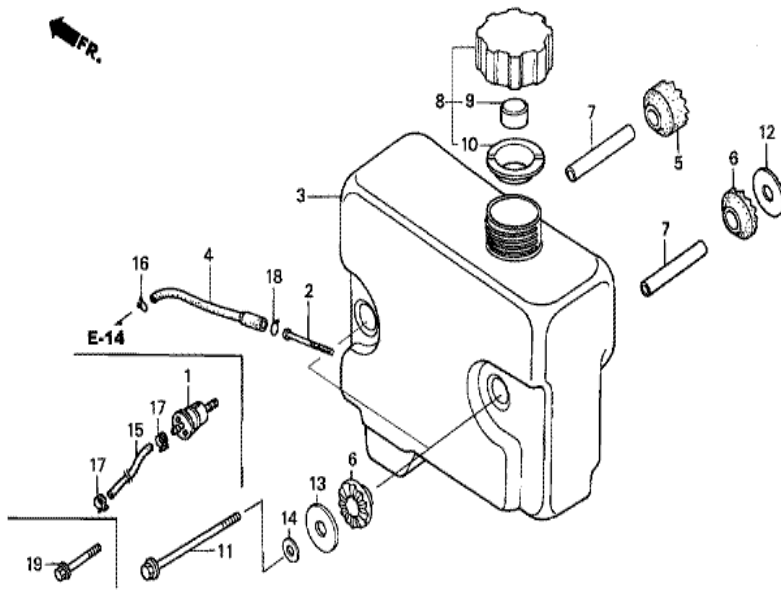
| Ref | Partnumber | Description | GXV340 | Serial Numbers |
|-----|---------------|----------------------------|--------|----------------|
| 001 | 16010-ZE2-005 | GASKET SET | 1 | |
| 002 | 16011-ZA0-931 | VALVE SET, FLOAT | 1 | |
| 003 | 16013-ZA0-931 | FLOAT SET | 1 | |
| 004 | 16015-ZE8-005 | CHAMBER SET, FLOAT | 1 | |
| 005 | 16016-ZE0-005 | SCREW SET, PILOT | 1 | |
| 006 | 16028-ZE0-005 | SCREW SET | 1 | |
| 007 | 16100-ZE9-005 | CARBURETOR ASSY. (BE35A A) | 1 | |
| 007 | 16100-ZE9-015 | CARBURETOR ASSY. (BE35A B) | 1 | 1100434 |
| 008 | 16124-ZE0-005 | SCREW, THROTTLE STOP | 1 | |
| 009 | 16148-943-003 | CAP, CHOKE DUST | 1 | |
| 010 | 16166-ZE9-005 | NOZZLE, MAIN | 1 | |
| 011 | 16199-ZE8-000 | TUBE, AIR VENT (75MM) | (1) | |
| 012 | 16211-ZE9-000 | INSULATOR, CARBURETOR | 1 | |
| Ref | Partnumber | Description | GXV340 | Serial Numbers |
| 014 | 16220-ZA0-700 | SPACER COMP., CARBURETOR | 1 | |
| 014 | 16220-ZA0-701 | SPACER COMP., CARBURETOR | 1 | 1041397 |
| 014 | 16220-ZA0-702 | SPACER COMP., CARBURETOR | 1 | 1041398 |
| 016 | 16221-ZE9-000 | PACKING, CARBURETOR | 1 | |
| 017 | 16223-ZE9-000 | PACKING, INSULATOR | 1 | 2057739 |
| 018 | 16953-ZE1-711 | LEVER, COCK | 1 | |
| 019 | 16954-ZE1-811 | PLATE, LEVER SETTING | 1 | |
| 020 | 16956-ZE1-811 | SPRING, COCK LEVER | 1 | |
| 021 | 16957-ZE1-811 | PACKING, FUEL COCK | 1 | BE35A C |
| 022 | 93500-030081H | SCREW, PAN, 3X8 | 2 | BE35A C |
| 023 | 95002-02080 | CLIP, TUBE (B8) | (1) | |
| 024 | 99101-1240820 | JET, MAIN, #82 | (1) | |
| 024 | 99101-1240850 | JET, MAIN, #85 | (1) | |
| 024 | 99101-1240880 | JET, MAIN, #88 | 1 | |
| 025 | 99204-ZA00400 | JET SET, PILOT, #40 | 1 | |
| 027 | 16044-ZE2-005 | CHOKE SET | 1 | |



| <u>Ref</u> | <u>Partnumber</u> | <u>Description</u> | <u>GXV340</u> | <u>Serial Numbers</u> |
|------------|-------------------|----------------------------|---------------|-----------------------|
| 001 | 16271-ZE8-000 | PACKING, ELBOW | 1 | |
| 002 | 17210-ZE8-003 | ELEMENT, AIR CLEANER | 1 | 1047023 |
| 002 | 17210-ZE8-013 | ELEMENT, AIR CLEANER | 1 | |
| 003 | 17218-ZE8-003 | FILTER, OUTER | 1 | |
| 004 | 17230-ZE8-003 | COVER, AIR CLEANER | 1 | |
| 004 | 17230-ZE8-013 | COVER, AIR CLEANER (DUAL) | 1 | |
| 005 | 17232-891-000 | GROMMET, AIR CLEANER | 1 | |
| 006 | 17238-ZE1-000 | COLLAR, AIR CLEANER | 1 | |
| 007 | 17238-ZE2-300 | COLLAR, AIR CLEANER | 2 | 1011230 |
| 007 | 17238-ZE2-310 | COLLAR, AIR CLEANER | 2 | 1011231 |
| 008 | 17410-ZE8-003 | ELBOW COMP., AIR CLEANER | 1 | 1011230 |
| 008 | 17410-ZE8-013 | ELBOW COMP., AIR CLEANER | 1 | 1011231 |
| 009 | 90014-ZE6-000 | BOLT, FLANGE, 6X35 (CT200) | 1 | |
| <u>Ref</u> | <u>Partnumber</u> | <u>Description</u> | <u>GXV340</u> | <u>Serial Numbers</u> |
| 010 | 90201-415-000 | NUT, CAP, 6MM | 2 | 2062468 |
| 011 | 90301-ZV0-000 | NUT, WING | 1 | |
| 012 | 90325-044-000 | NUT, TOOL BOX SETTING | 1 | 2093311 |

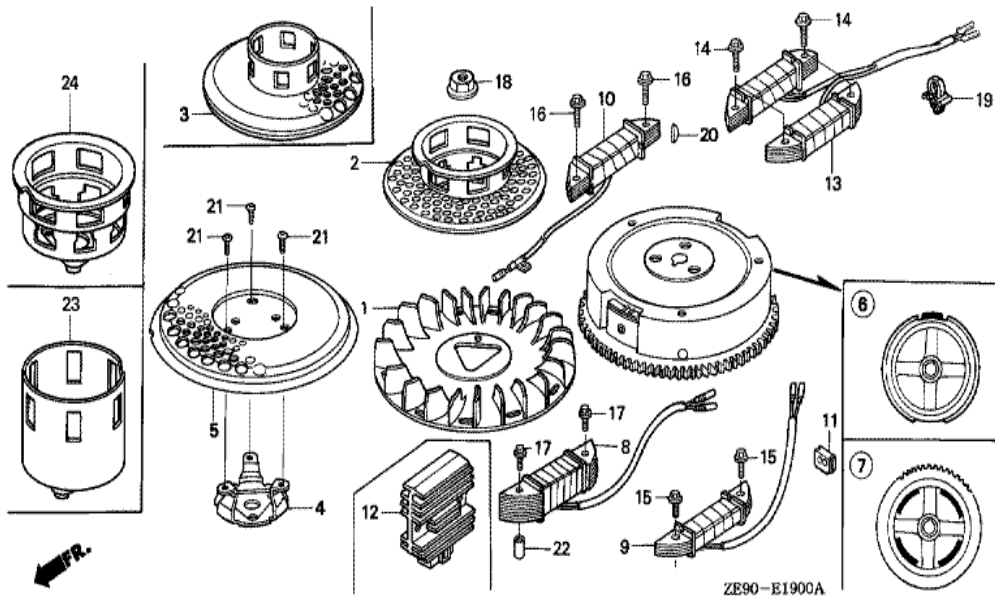


| <u>Ref</u> | <u>Partnumber</u> | <u>Description</u> | <u>GXV340</u> | <u>Serial Numbers</u> |
|------------|-------------------|---------------------|---------------|-----------------------|
| 001 | 18310-ZE9-003 | MUFFLER COMP. | (1) | |
| 003 | 18318-ZE8-000 | STAY COMP., MUFFLER | (1) | |
| 004 | 18320-ZE9-000 | PROTECTOR, MUFFLER | (1) | |
| 006 | 18325-ZE9-000 | SEPARATOR, MUFFLER | 1 | |
| 007 | 18330-ZE9-000 | PIPE, EX. | (1) | |
| 008 | 18331-ZE2-810 | CAP, MUFFLER | (1) | |
| 009 | 18333-ZE3-000 | GASKET, EX. PIPE | 1 | 2038669 |
| 011 | 18382-ZE9-000 | GASKET, EX. PIPE | 1 | 2038669 |
| 012 | 90031-883-000 | BOLT, FLANGE, 8X16 | (1) | |
| 013 | 90050-ZE1-000 | SCREW, TAPPING, 5X8 | (3) | |
| 014 | 90055-ZE1-000 | SCREW, TAPPING, 4X6 | (3) | |
| 015 | 92900-080601B | BOLT, STUD, 8X60 | (1) | |
| 016 | 92900-080701B | BOLT, STUD, 8X70 | (1) | |
| <u>Ref</u> | <u>Partnumber</u> | <u>Description</u> | <u>GXV340</u> | <u>Serial Numbers</u> |
| 017 | 93500-060060A | SCREW, PAN, 6X6 | (3) | |
| 019 | 94050-08000 | NUT, FLANGE, 8MM | 4 | |
| 020 | 94101-06000 | WASHER, PLAIN, 6MM | (3) | |
| 021 | 95900-0801400 | BOLT, FLANGE, 8X14 | (1) | |



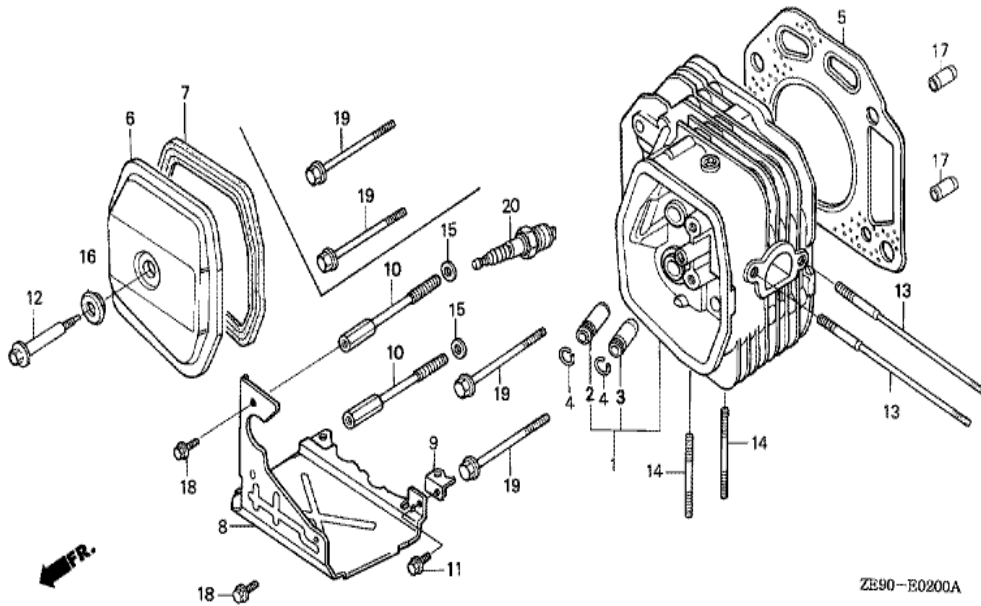
ZE90-E1700A

| Ref | Partnumber | Description | GXV340 | Serial Numbers |
|-----|---------------|--------------------------------------|--------|----------------|
| 001 | 16910-ZE8-005 | STRAINER COMP., FUEL | 1 | 2064113 |
| 015 | 95001-4536020 | HOSE, FUEL, 4.5X360(95001-45001-50M) | (1) | |
| 017 | 95002-4085008 | CLAMP, TUBE (D8.5) | (2) | |
| 019 | 95700-0801600 | BOLT, FLANGE, 8X16 | (2) | |



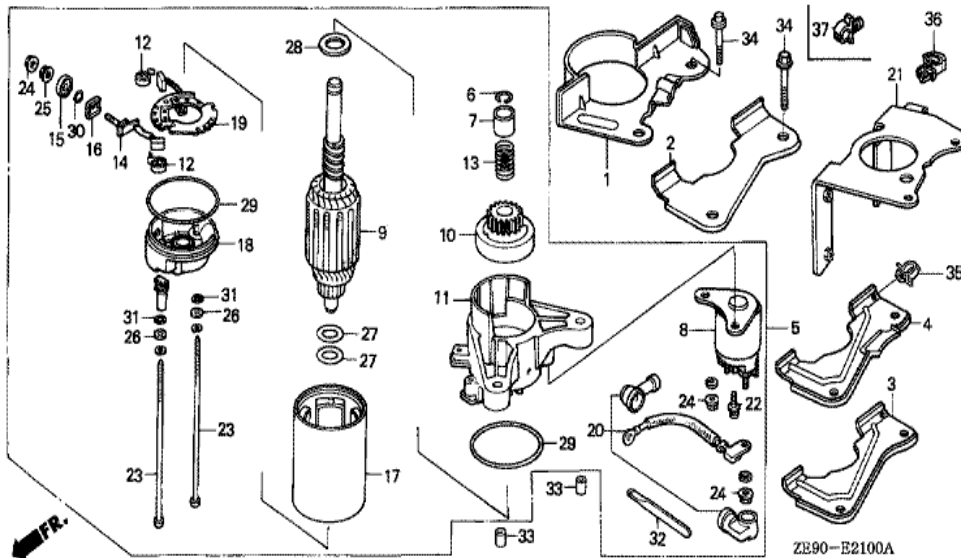
ZE90-E1900A

| Ref | Partnumber | Description | GXV340 | Serial Numbers |
|-----|---------------|------------------------------|--------|----------------|
| 001 | 19511-ZE9-000 | FAN, COOLING | 1 | |
| 003 | 28450-ZE9-003 | PULLEY COMP., STARTER | 1 | |
| 007 | 31100-ZE9-800 | FLYWHEEL COMP. (4POLE) | (1) | |
| 008 | 31510-ZE8-003 | COIL ASSY., CHARGE (2A-3A) | (1) | |
| 011 | 31512-ZE8-000 | GROMMET, CORD | 1 | |
| 017 | 90015-883-000 | BOLT, FLANGE, 6X28 (CT200) | 2 | 1027171 |
| 017 | 90121-952-000 | BOLT, FLANGE, 6X25 (CT200) | (2) | 1027170 |
| 018 | 90201-ZE3-790 | NUT, SPECIAL, 16MM | 1 | 2104460 |
| 020 | 90741-ZE2-000 | KEY, SPECIAL WOODRUFF, 25X18 | 1 | |
| 022 | 17240-ZE6-000 | COLLAR, EXTENSION | 1 | |

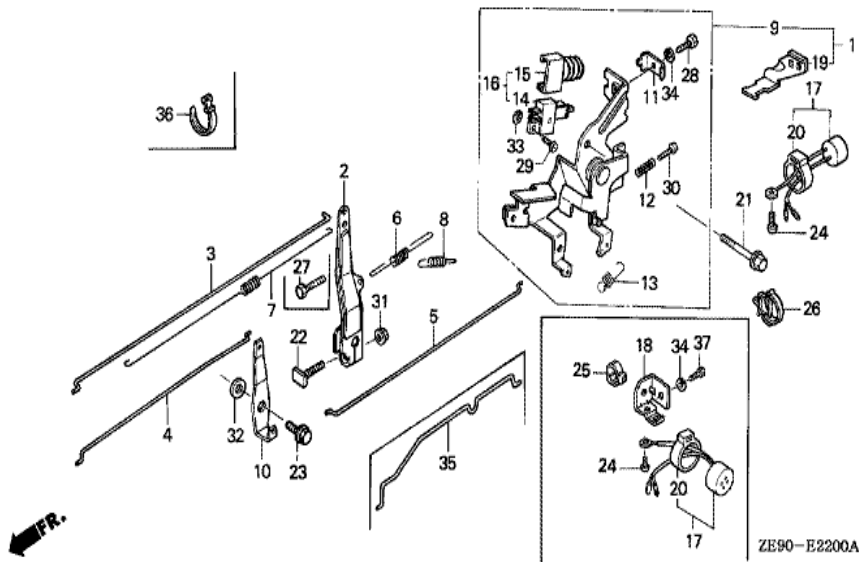


ZE90-E0200A

| <u>Ref</u> | <u>Partnumber</u> | <u>Description</u> | <u>GXV340</u> | <u>Serial Numbers</u> |
|------------|-------------------|--------------------------------|---------------|-----------------------|
| 001 | 122A0-ZE9-000 | HEAD COMP., CYLINDER | 1 | |
| 002 | 12204-ZE2-315 | GUIDE, IN. VALVE (OS) | (1) | 2040829 |
| 003 | 12205-ZE2-305 | GUIDE, EX. VALVE (OS) | (1) | |
| 004 | 12216-ZE2-300 | CLIP, VALVE GUIDE | 2 | |
| 005 | 12251-ZE9-000 | GASKET, CYLINDER HEAD | 1 | 1013589 |
| 006 | 12310-ZE8-000 | COVER, HEAD | 1 | |
| 007 | 12391-ZE8-000 | PACKING, HEAD COVER | 1 | |
| 008 | 18345-ZE9-000 | COVER COMP., UNDER | (1) | |
| 009 | 18347-ZE8-000 | STAY COMP., UNDER COVER | (1) | |
| 010 | 90003-ZE8-003 | BOLT, SPECIAL HEAD COVER | (2) | |
| 011 | 90013-883-000 | BOLT, FLANGE, 6X12 (CT200) | (1) | |
| 012 | 90014-ZE8-000 | BOLT, HEAD COVER | 1 | |
| 013 | 90042-ZE8-000 | BOLT, STUD, 8X131.5 | 2 | |
| <u>Ref</u> | <u>Partnumber</u> | <u>Description</u> | <u>GXV340</u> | <u>Serial Numbers</u> |
| 014 | 90047-ZE2-000 | BOLT, STUD, 8X47 | 2 | |
| 015 | 90438-463-000 | WASHER, SPECIAL, 11X21X2.3 | (2) | |
| 016 | 90441-ZE2-000 | WASHER COMP., HEAD COVER | 1 | 1010000 |
| 016 | 90441-ZE2-010 | WASHER COMP., HEAD COVER | 1 | |
| 017 | 94301-12200 | DOWEL PIN, 12X20 | 2 | |
| 018 | 95700-0601200 | BOLT, FLANGE, 6X12 | (3) | |
| 019 | 95725-1008000 | BOLT, FLANGE, 10X80 | 2 | |
| 020 | 98079-55846 | PLUG, SPARK (BPR5ES) (NGK) | 1 | |
| 020 | 98079-55855 | PLUG, SPARK (W16EPR-U) (DENSO) | 1 | |

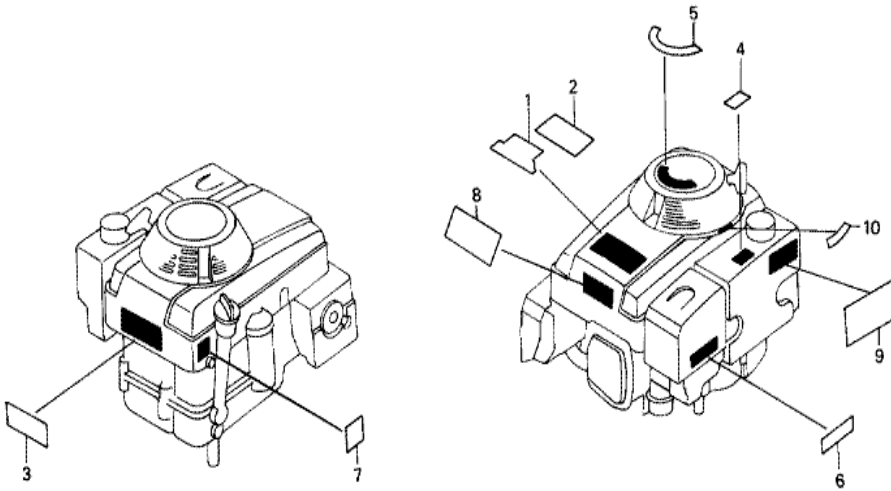


| <u>Ref</u> | <u>Partnumber</u> | <u>Description</u> | <u>GXV340</u> | <u>Serial Numbers</u> |
|------------|-------------------|---------------------------|---------------|-----------------------|
| 003 | 19611-ZE9-800 | PLATE, SIDE | 1 | |
| 003 | 19611-ZE9-801 | PLATE, SIDE | (1) | |
| 005 | 31200-ZE8-801 | MOTOR ASSY., STARTER | (1) | |
| 006 | 31201-ZA1-003 | RING, SNAP | (1) | |
| 007 | 31202-ZA1-003 | COLLAR, CLUTCH STOP | (1) | |
| 008 | 31204-ZA0-003 | CONTACTOR ASSY. | (1) | |
| 009 | 31206-ZA1-003 | ARMATURE COMP. | (1) | |
| 010 | 31207-ZA1-003 | CLUTCH ASSY., OVERRUNNING | (1) | |
| 011 | 31208-ZE8-013 | HOUSING, DRIVE SIDE | (1) | |
| 012 | 31212-ZA0-700 | SPRING, BRUSH | (2) | |
| 013 | 31212-ZE8-003 | SPRING | (1) | |
| 014 | 31215-ZA1-013 | BRUSH | (1) | |
| 015 | 31216-ZA1-013 | BUSH, INSULATION | (1) | |
| <u>Ref</u> | <u>Partnumber</u> | <u>Description</u> | <u>GXV340</u> | <u>Serial Numbers</u> |
| 016 | 31217-ZA1-013 | BUSH, INSULATION | (1) | |
| 017 | 31218-ZA1-013 | YOKE COMP. | (1) | |
| 018 | 31219-ZE8-003 | FRAME, STARTER END | (1) | |
| 019 | 31231-ZA1-003 | PLATE COMP., BRUSH HOLDER | (1) | |
| 020 | 31232-ZE8-003 | WIRE, WATER COVER | (1) | |
| 022 | 90101-ZA1-003 | BOLT | (2) | |
| 023 | 90102-ZA1-003 | BOLT, THROUGH | 2 | 2020474 |
| 024 | 90201-ZA1-003 | NUT | (3) | |
| 025 | 90202-ZA1-003 | NUT | (1) | |
| 026 | 90401-ZA1-003 | WASHER, STEEL PLATE | 2 | 2020474 |
| 027 | 90402-ZA1-003 | WASHER | (2) | |
| 028 | 90403-ZA1-003 | WASHER | (1) | |
| 029 | 91301-ZA1-003 | O-RING | 2 | 2020474 |
| 030 | 91302-ZA1-013 | O-RING | (1) | |
| 031 | 91303-ZA1-003 | O-RING | 2 | 2020474 |
| 032 | 91406-ZE8-000 | CLAMP, CORD | (1) | |
| 033 | 94301-10160 | DOWEL PIN, 10X16 | (2) | |
| 034 | 95700-0803500 | BOLT, FLANGE, 8X35 | (2) | |



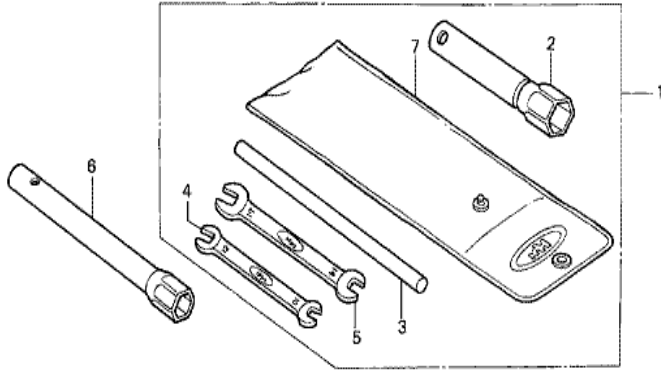
ZE90-E2200A

| <u>Ref</u> | <u>Partnumber</u> | <u>Description</u> | <u>GXV340</u> | <u>Serial Numbers</u> |
|------------|-------------------|----------------------------|---------------|-----------------------|
| 002 | 16551-ZE8-000 | ARM, GOVERNOR | 1 | |
| 003 | 16555-ZE9-000 | ROD, GOVERNOR | 1 | |
| 004 | 16556-ZE9-000 | ROD, CHOKE | 1 | |
| 005 | 16557-ZE8-000 | ROD, JOINT | 1 | |
| 006 | 16561-ZE9-000 | SPRING, GOVERNOR | 1 | |
| 006 | 16561-ZE9-010 | SPRING, GOVERNOR | 1 | |
| 008 | 16563-ZE8-000 | SPRING, GOVERNOR PRIMARY | 1 | |
| 009 | 16570-ZE8-010 | CONTROL ASSY. | 1 | 1019388 |
| 009 | 16570-ZE8-810 | CONTROL ASSY. | 1 | 1036707 |
| 010 | 16575-ZE8-000 | LEVER, CHOKE JOINT | 1 | |
| 011 | 16576-891-000 | HOLDER, CABLE | 1 | |
| 012 | 16584-883-300 | SPRING, CONTROL ADJUSTING | 1 | |
| 013 | 16592-732-700 | SPRING, CABLE RETURN | 1 | 1035016 |
| <u>Ref</u> | <u>Partnumber</u> | <u>Description</u> | <u>GXV340</u> | <u>Serial Numbers</u> |
| 013 | 16592-ZE1-810 | SPRING, CABLE RETURN | 1 | 1010250 |
| 014 | 35330-ZG1-751 | SWITCH ASSY., ENGINE | 1 | |
| 015 | 35336-750-003 | COVER, SWITCH | 1 | |
| 016 | 36100-ZE8-003 | SWITCH ASSY., ENGINE STOP | 1 | |
| 021 | 90013-883-000 | BOLT, FLANGE, 6X12 (CT200) | 1 | |
| 022 | 90015-ZE5-010 | BOLT, GOVERNOR ARM | 1 | 1035471 |
| 023 | 90015-ZE8-000 | BOLT, FLANGE, 6MM | 1 | |
| 027 | 92000-060220A | BOLT, HEX., 6X22 | 1 | 1035470 |
| 028 | 92300-050161A | BOLT, RECESSED, 5X16 | 1 | 2062468 |
| 029 | 93500-040140A | SCREW, PAN, 4X14 | 1 | |
| 030 | 93500-050200A | SCREW, PAN, 5X20 | 1 | |
| 031 | 94050-06000 | NUT, FLANGE, 6MM | 1 | |
| 033 | 94111-04000 | WASHER, SPRING, 4MM | 1 | |
| 034 | 94111-05000 | WASHER, SPRING, 5MM | 1 | 1019389 |
| 035 | 16557-ZE8-810 | ROD, JOINT | 1 | 1019389 |



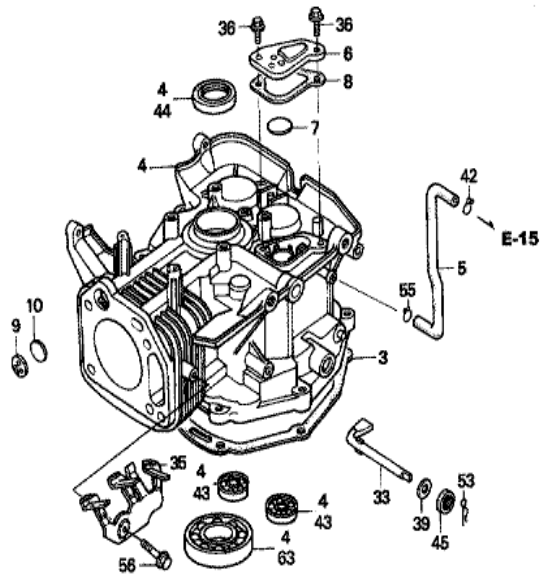
ZE90-E2800

| Ref | Partnumber | Description | GXV340 | Serial Numbers |
|-----|---------------|---------------------------------------|--------|----------------|
| 001 | 87101-ZE9-000 | EMBLEM, TOP COVER (E) | 1 | |
| 003 | 87105-ZE9-000 | MARK, CAUTION | 1 | |
| 003 | 87105-ZE9-600 | LABEL, EMBLEM (ENGLISH/FRENCH/GERMAN) | 1 | |
| 005 | 87154-ZE8-000 | MARK, EASY START (ENGLISH) | 1 | 2052778 |
| 006 | 87524-ZE8-000 | MARK, AIR CLEANER CAUTION | 1 | |
| 007 | 87594-ZE8-000 | MARK, OIL CAUTION | 1 | 2062723 |



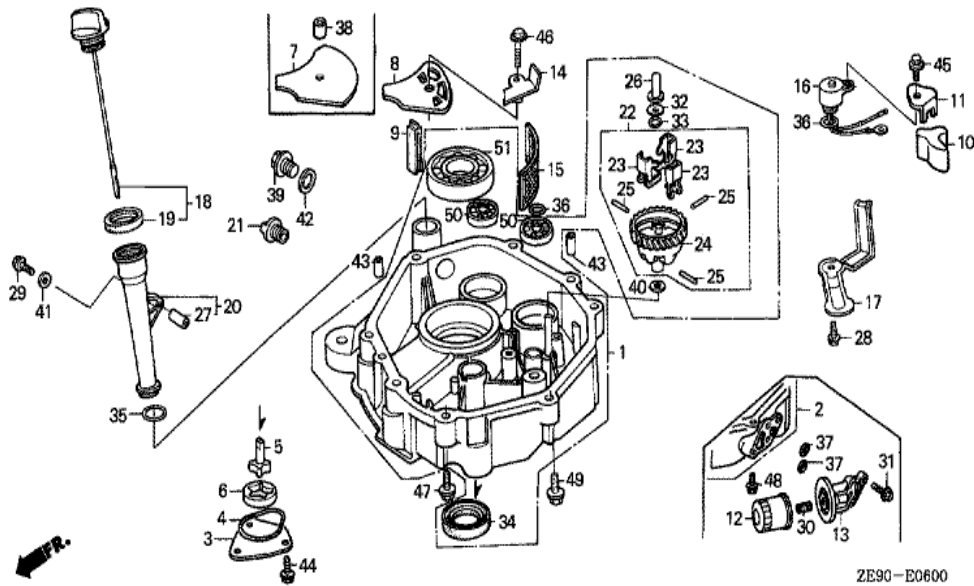
ZE90-E2900

| Ref | Partnumber | Description | GXV340 | Serial Numbers |
|-----|-------------|-------------------|--------|----------------|
| 006 | 99004-21002 | WRENCH, BOX (P21) | 1 | |



ZE90-E0300A

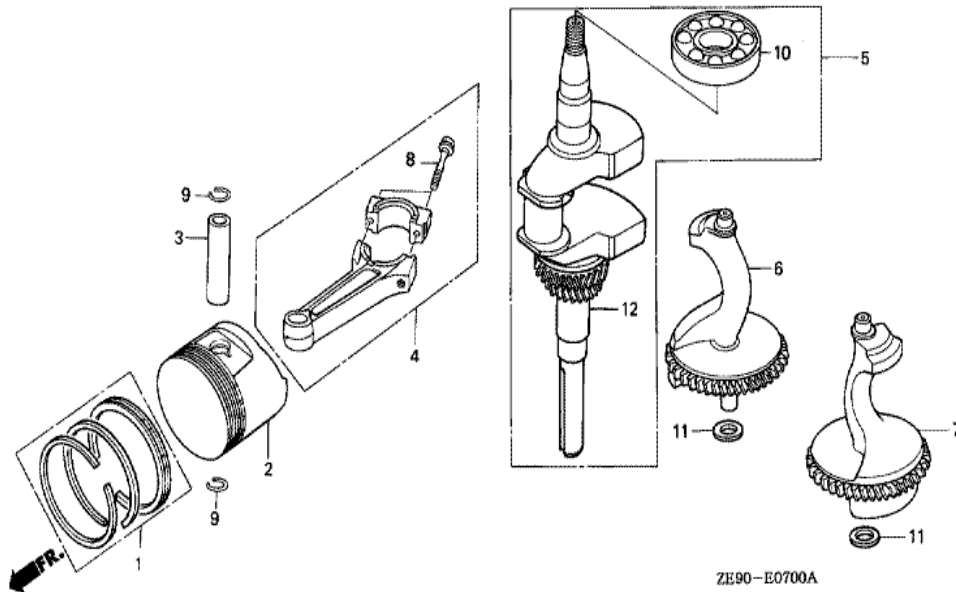
| <u>Ref</u> | <u>Partnumber</u> | <u>Description</u> | <u>GXV340</u> | <u>Serial Numbers</u> |
|------------|-------------------|-------------------------------|---------------|-----------------------|
| 003 | 11381-ZE9-000 | PACKING, OIL PAN | 1 | |
| 004 | 120A0-ZE9-000 | BARREL ASSY., CYLINDER | 1 | |
| 005 | 12315-ZE9-000 | TUBE, BREATHER | 1 | |
| 006 | 12370-ZE8-000 | CAP, BREATHER CHAMBER | 1 | |
| 007 | 12372-ZE2-300 | VALVE, BREATHER | 1 | |
| 008 | 12373-ZE8-000 | PACKING, BREATHER CAP | 1 | |
| 009 | 12375-ZE9-000 | PLATE, ONE-WAY VALVE | 1 | 1008329 |
| 010 | 12376-ZE8-000 | VALVE, ONE WAY | 1 | |
| 033 | 16541-ZE8-000 | SHAFT, GOVERNOR ARM | 1 | 2096049 |
| 035 | 30615-ZE8-000 | STAY COMP., SWITCH CORD CLAMP | 1 | |
| 036 | 90013-883-000 | BOLT, FLANGE, 6X12 (CT200) | 2 | |
| 039 | 90406-VM6-000 | WASHER, THRUST, 8.1MM | 1 | |
| 042 | 95002-70000 | CLIP, TUBE (C11) | 1 | |
| <u>Ref</u> | <u>Partnumber</u> | <u>Description</u> | <u>GXV340</u> | <u>Serial Numbers</u> |
| 043 | 96100-6202000 | BEARING, RADIAL BALL, 6202 | 2 | |
| 044 | 91201-ZE3-004 | OIL SEAL, 35X52X8 | 1 | |
| 045 | 91201-ZE9-003 | OIL SEAL, 8X14X5 | 1 | |
| 053 | 94251-08000 | PIN, LOCK, 8MM | 1 | 2096049 |
| 055 | 95002-70000 | CLIP, TUBE (C11) | 1 | 2062388 |
| 056 | 95700-0601200 | BOLT, FLANGE, 6X12 | 1 | 1010001 |



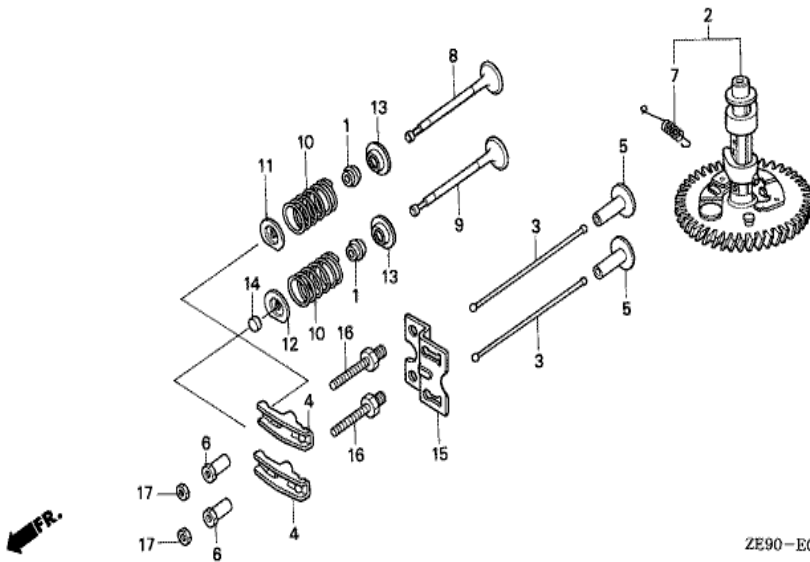
ZE90-E0600

| Ref | Partnumber | Description | GXV340 | Serial Numbers |
|-----|---------------|-----------------------|--------|-----------------|
| 001 | 11300-ZE9-010 | PAN ASSY., OIL | 1 | 1010001 |
| 001 | 113A0-ZE9-000 | PAN ASSY., OIL | 1 | 1010000 |
| 003 | 15130-ZE8-000 | COVER, OIL PUMP | 1 | |
| 004 | 15131-ZE9-003 | O-RING, PUMP COVER | 1 | |
| 005 | 15330-ZE8-000 | ROTOR COMP., INNER | 1 | |
| 006 | 15332-891-003 | ROTOR, OIL PUMP OUTER | 1 | |
| 007 | 15334-ZE8-000 | PLATE, OIL FILTER | 1 | 1010000 |
| 007 | 15334-ZE8-010 | PLATE, OIL FILTER | 1 | 1010001 |
| 009 | 15335-ZE9-000 | RUBBER, OIL RETURN | 1 | |
| 014 | 15420-ZE8-000 | PLATE COMP., SUCTION | 1 | 1010001 |
| 015 | 15421-ZE9-000 | SCREEN, OIL FILTER | 1 | 1010000 |
| 015 | 15421-ZE9-003 | SCREEN, OIL FILTER | 1 | 1027171 |
| 015 | 15421-ZE9-010 | SCREEN, OIL FILTER | 1 | 1010001 1027170 |

| <u>Ref</u> | <u>Partnumber</u> | <u>Description</u> | <u>GXV340</u> | <u>Serial Numbers</u> |
|------------|-------------------|----------------------------|---------------|-----------------------|
| 018 | 15600-ZE8-000 | CAP ASSY., OIL FILLER | 1 | 1035316 |
| 018 | 15600-ZE8-010 | CAP ASSY., OIL FILLER | 1 | 1035317 |
| 019 | 15625-ZE8-000 | PACKING, OIL FILLER CAP | 1 | |
| 020 | 15630-ZE8-000 | EXTENSION, OIL FILLER | 1 | |
| 022 | 16510-ZE8-000 | GOVERNOR ASSY. | 1 | 2086152 |
| 023 | 16511-ZE8-000 | WEIGHT, GOVERNOR | 3 | |
| 024 | 16512-ZE8-000 | HOLDER, GOVERNOR WEIGHT | 1 | |
| 025 | 16513-ZE2-000 | PIN, GOVERNOR WEIGHT | 3 | |
| 026 | 16531-Z0A-000 | SLIDER, GOVERNOR | 1 | |
| 027 | 17240-ZE6-000 | COLLAR, EXTENSION | 1 | |
| 029 | 90014-ZE6-000 | BOLT, FLANGE, 6X35 (CT200) | 1 | |
| 032 | 90473-147-000 | WASHER, 6X16 | 1 | 2093309 |
| 033 | 90602-896-000 | CLIP, GOVERNOR HOLDER | 1 | 1104350 |
| 034 | 91201-ZE3-004 | OIL SEAL, 35X52X8 | 1 | |
| 035 | 91301-ZE9-003 | O-RING, 22.1X2.2 | 1 | |
| 036 | 91302-ZE9-003 | O-RING, 11.8X2.4 | 1 | |
| 039 | 92800-20000 | BOLT, DRAIN PLUG, 20MM | 1 | |
| 040 | 94101-06800 | WASHER, PLAIN, 6MM | 1 | |
| 041 | 94103-06700 | WASHER, PLAIN, 6MM | 1 | |
| 042 | 94109-20000 | WASHER, DRAIN PLUG, 20MM | 1 | |
| 043 | 94301-08140 | DOWEL PIN, 8X14 | 2 | |
| 044 | 95700-0601200 | BOLT, FLANGE, 6X12 | 3 | |
| 046 | 95700-0601200 | BOLT, FLANGE, 6X12 | 1 | 1010000 |
| 046 | 95700-0602500 | BOLT, FLANGE, 6X25 | 1 | 1010001 |
| 047 | 95900-0804008 | BOLT, FLANGE, 8X40 | 6 | |
| 049 | 95900-0804008 | BOLT, FLANGE, 8X40 | 1 | |
| 051 | 96100-6207000 | BEARING, RADIAL BALL, 6207 | 1 | 2100586 |

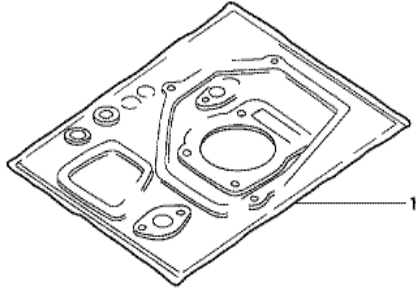


| <u>Ref</u> | <u>Partnumber</u> | <u>Description</u> | <u>GXV340</u> | <u>Serial Numbers</u> |
|------------|-------------------|---|---------------|-----------------------|
| 001 | 13010-ZE3-003 | RING SET, PISTON (STD.) (NIPPON) | 1 | |
| 001 | 13010-ZE3-005 | RING SET, PISTON (STD.) (TEIKOKU) | 1 | |
| 001 | 13011-ZE3-003 | RING SET, PISTON (0.25) (NIPPON) | (1) | |
| 001 | 13011-ZE3-005 | RING SET, PISTON (0.25) (TEIKOKU) | (1) | |
| 001 | 13012-ZE3-003 | RING SET, PISTON (0.50) (NIPPON) | (1) | |
| 001 | 13012-ZE3-005 | RING SET, PISTON (0.50) (TEIKOKU) | (1) | |
| 001 | 13013-ZE3-003 | RING SET, PISTON (0.75) (NIPPON) | (1) | |
| 001 | 13013-ZE3-005 | RING SET, PISTON (0.75) (TEIKOKU) | (1) | |
| 002 | 13101-ZE3-000 | PISTON (STD.) | 1 | |
| 002 | 13102-ZE3-000 | PISTON (0.25) | (1) | |
| 002 | 13103-ZE3-000 | PISTON (0.50) | (1) | |
| 002 | 13104-ZE3-000 | PISTON (0.75) | (1) | |
| 003 | 13111-ZE3-000 | PIN, PISTON | 1 | |
| <u>Ref</u> | <u>Partnumber</u> | <u>Description</u> | <u>GXV340</u> | <u>Serial Numbers</u> |
| 004 | 13200-ZE9-000 | ROD ASSY., CONNECTING | 1 | 1043482 |
| 004 | 13200-ZE9-010 | ROD ASSY., CONNECTING | 1 | 1043483 |
| 004 | 13200-ZE9-305 | ROD ASSY., CONNECTING (0.25 UNDER SIZE) | (1) | 1043482 |
| 004 | 13200-ZE9-315 | ROD ASSY., CONNECTING (0.25 UNDER SIZE) | (1) | |
| 005 | 13310-ZE9-000 | CRANKSHAFT COMP. | 1 | |
| 006 | 13351-ZE9-000 | WEIGHT A, BALANCER | 1 | |
| 007 | 13356-ZE9-000 | WEIGHT B, BALANCER | 1 | |
| 008 | 90001-ZE8-000 | BOLT, CONNECTING ROD | 2 | |
| 009 | 90601-ZE3-000 | CLIP, PISTON PIN, 20MM | 2 | |
| 010 | 96100-6207000 | BEARING, RADIAL BALL, 6207 | 1 | 2098953 |



ZE90-E0900

| <u>Ref</u> | <u>Partnumber</u> | <u>Description</u> | <u>GXV340</u> | <u>Serial Numbers</u> |
|------------|-------------------|----------------------------|---------------|-----------------------|
| 001 | 12209-ZE8-003 | SEAL, VALVE STEM | 2 | |
| 002 | 14100-ZE8-000 | CAMSHAFT ASSY. | 1 | 1010000 |
| 002 | 14100-ZE8-010 | CAMSHAFT ASSY. | 1 | 1010001 |
| 003 | 14410-ZE3-003 | ROD, PUSH | 2 | 1102354 |
| 004 | 14431-ZE2-000 | ARM, VALVE ROCKER | 2 | |
| 005 | 14441-ZE2-000 | LIFTER, VALVE | 2 | |
| 006 | 14451-ZE1-003 | PIVOT, ROCKER ARM | 2 | 2054423 |
| 007 | 14568-ZE1-000 | SPRING, WEIGHT RETURN | 1 | |
| 008 | 14711-ZE3-000 | VALVE, IN. | 1 | |
| 009 | 14721-ZE3-000 | VALVE, EX. | 1 | |
| 010 | 14751-ZE2-003 | SPRING, VALVE | 2 | |
| 011 | 14771-ZE2-000 | RETAINER, IN. VALVE SPRING | 1 | |
| 012 | 14773-ZE2-000 | RETAINER, EX. VALVE SPRING | 1 | |
| <u>Ref</u> | <u>Partnumber</u> | <u>Description</u> | <u>GXV340</u> | <u>Serial Numbers</u> |
| 013 | 14775-ZE2-010 | SEAT, VALVE SPRING | 2 | |
| 014 | 14781-ZE2-000 | ROTATOR, VALVE | 1 | |
| 015 | 14791-ZE9-000 | GUIDE, PUSH ROD | 1 | |
| 016 | 90012-ZE0-010 | BOLT, PIVOT, 8MM | 2 | |
| 017 | 90206-ZE1-000 | NUT, PIVOT ADJUSTING | 2 | |



HENG-X0003

| <u>Ref</u> | <u>Partnumber</u> | <u>Description</u> | <u>GXV340</u> | <u>Serial Numbers</u> |
|------------|-------------------|--------------------|---------------|-----------------------|
| 001 | 061A1-ZE9-000 | GASKET KIT | 1 | |