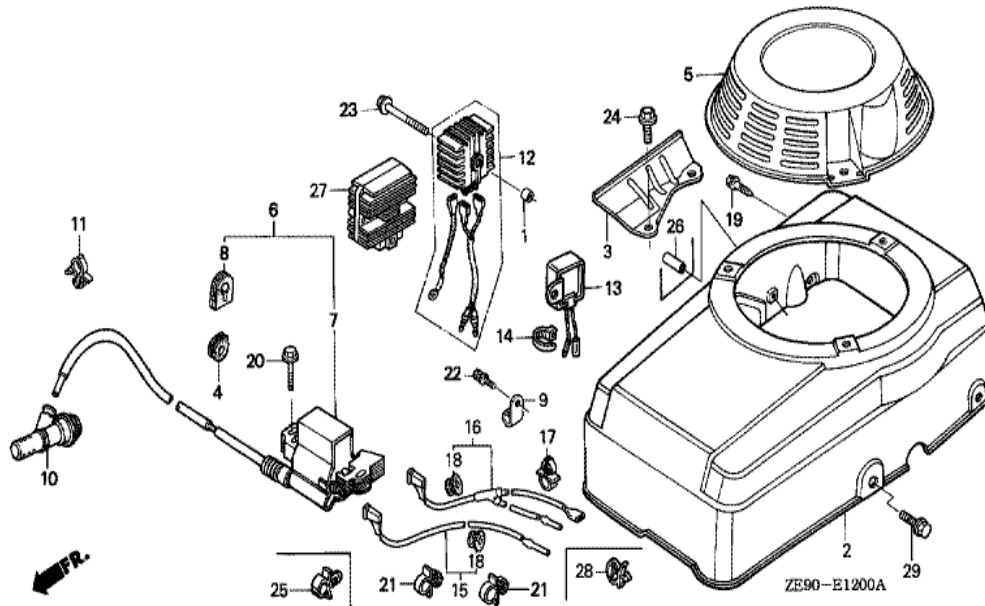
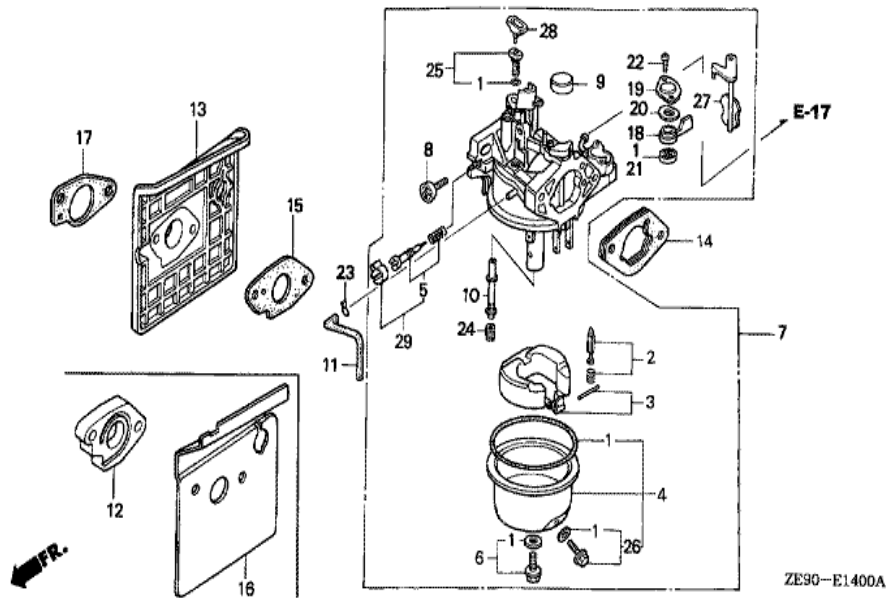


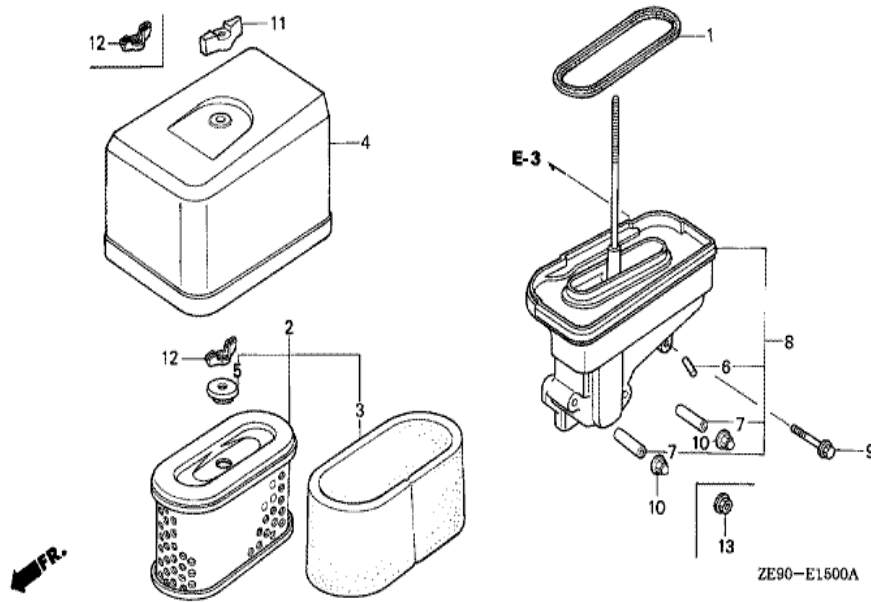
Ref	Partnumber	Description	GXV340	Serial Numbers
005	28420-ZE8-811	REEL COMP., STARTER	1	2049068
006	28422-ZE8-811	RATCHET, STARTER	1	
007	28423-ZE1-711	SHAFT, RATCHET	1	2049068
008	28424-ZE1-711	PLATE, GUIDE	(1)	2029294
009	28431-ZE1-711	PLATE A, FRICTION	1	2049068
010	28432-ZG0-003	PLATE B, FRICTION	1	2049068
011	28434-ZE8-811	COVER, STARTER REEL	1	
012	28441-ZE1-711	SPRING, FRICTION (D=18.5MM / L=20.5MM)	1	2049068
012	28441-ZG3-004	SPRING, FRICTION (D=13.0MM / L=16.3MM)	1	2049068
013	28442-ZE1-711	SPRING, RETURN	(1)	2029294
014	28461-ZE8-811	GRIP, STARTER	1	2049068
015	28462-ZE8-811	ROPE, STARTER	1	2049068
016	90003-ZG0-003	BOLT, REEL COVER	1	
Ref	Partnumber	Description	GXV340	Serial Numbers
017	90002-ZE8-810	BOLT, FLANGE, 6X10	3	1043483
017	90012-ZE6-000	BOLT, FLANGE, 6X8	(3)	1043482
019	28400-ZE8-811ZA	STARTER ASSY., RECOIL *R8 *	1	2049068
020	28410-ZE8-811ZA	CASE COMP., RECOIL STARTER *R8 *	1	2049068



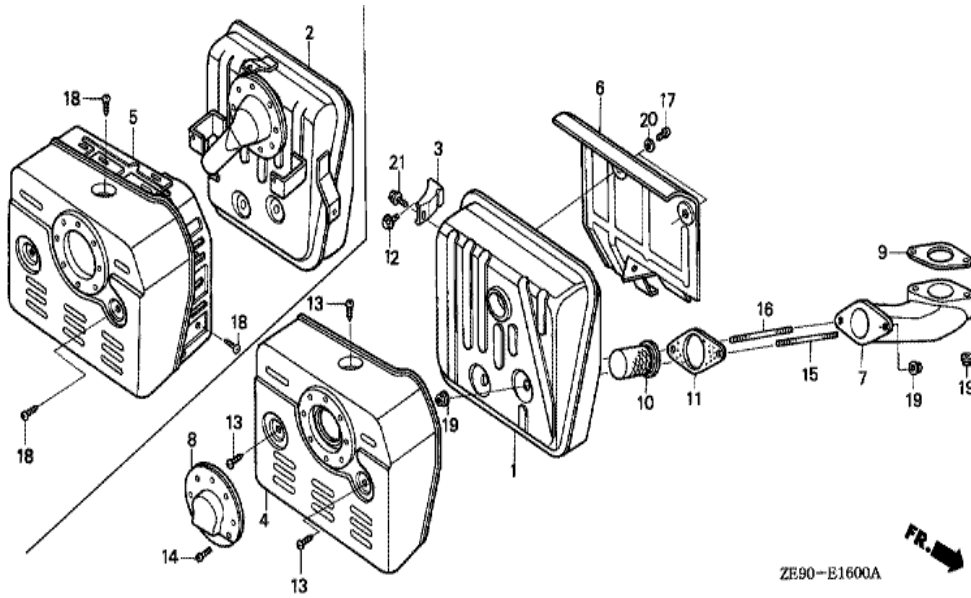
Ref	Partnumber	Description	GXV340	Serial Numbers
002	19610-ZE9-020H	COVER COMP., FAN	1	
006	30500-ZE9-003	COIL ASSY., IGNITION	1	
008	30563-ZE8-000	GROMMET, HIGH TENSION	1	
009	30564-ZE8-003	CLAMPER, HIGH TENSION CORD	1	
010	30700-ZE8-003	CAP ASSY., NOISE SUPPRESSOR	1	
016	36101-ZE8-810	CORD, STOP SWITCH	1	1019389
017	36103-ZE1-000	HOLDER, STOP SWITCH CORD	(1)	
018	80101-166-000	GROMMET, WIRE CORD	1	
019	90013-883-000	BOLT, FLANGE, 6X12 (CT200)	1	
020	90015-883-000	BOLT, FLANGE, 6X28 (CT200)	2	
022	93891-0501200	SCREW-WASHER, 5X12	1	
028	90684-ZA0-601	CLIP, HARNESS	1	



Ref	Partnumber	Description	GXV340	Serial Numbers
001	16010-ZE2-005	GASKET SET	1	
002	16011-ZA0-931	VALVE SET, FLOAT	1	
003	16013-ZA0-931	FLOAT SET	1	
004	16015-ZE8-005	CHAMBER SET, FLOAT	1	
005	16016-ZE0-005	SCREW SET, PILOT	1	
006	16028-ZE0-005	SCREW SET	1	
007	16100-ZE9-015	CARBURETOR ASSY. (BE35A B)	1	1100434
008	16124-ZE0-005	SCREW, THROTTLE STOP	1	
009	16148-943-003	CAP, CHOKE DUST	1	
010	16166-ZE9-005	NOZZLE, MAIN	1	
011	16199-ZE8-000	TUBE, AIR VENT (75MM)	(1)	
012	16211-ZE9-000	INSULATOR, CARBURETOR	1	
014	16220-ZA0-701	SPACER COMP., CARBURETOR	1	1041397
014	16220-ZA0-702	SPACER COMP., CARBURETOR	1	1041398
016	16221-ZE9-000	PACKING, CARBURETOR	1	
017	16223-ZE9-000	PACKING, INSULATOR	1	2057739
018	16953-ZE1-711	LEVER, COCK	1	
019	16954-ZE1-811	PLATE, LEVER SETTING	1	
020	16956-ZE1-811	SPRING, COCK LEVER	1	
021	16957-ZE1-811	PACKING, FUEL COCK	1	BE35A C
022	93500-030081H	SCREW, PAN, 3X8	2	BE35A C
023	95002-02080	CLIP, TUBE (B8)	(1)	
024	99101-1240820	JET, MAIN, #82	(1)	
024	99101-1240850	JET, MAIN, #85	(1)	
024	99101-1240880	JET, MAIN, #88	1	
025	99204-ZA00400	JET SET, PILOT, #40	1	
027	16044-ZE2-005	CHOKE SET	1	

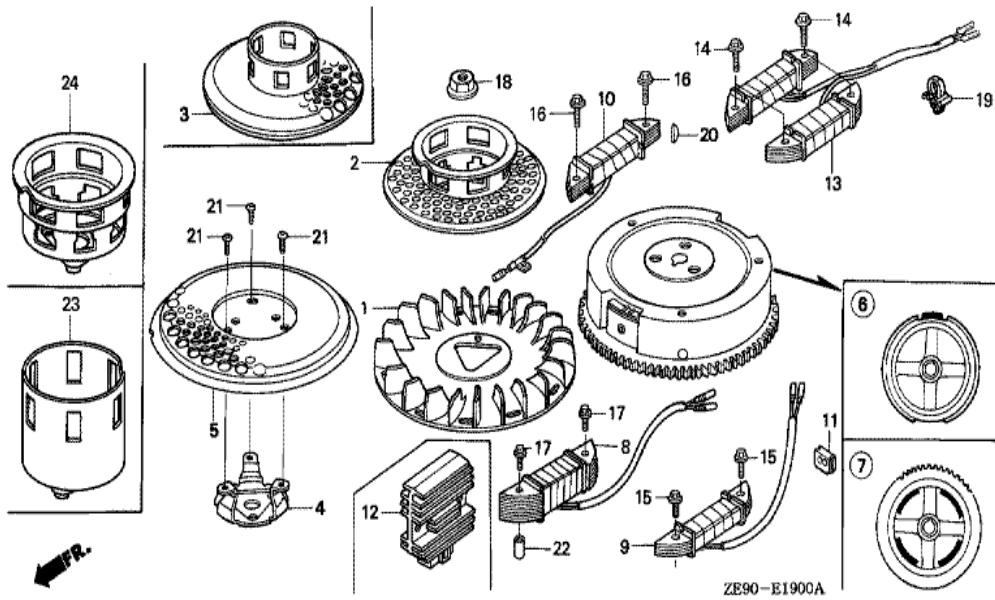


Ref	Partnumber	Description	GXV340	Serial Numbers
001	16271-ZE8-000	PACKING, ELBOW	1	
002	17210-ZE8-003	ELEMENT, AIR CLEANER	1	1047023
002	17210-ZE8-013	ELEMENT, AIR CLEANER	1	
003	17218-ZE8-003	FILTER, OUTER	1	
004	17230-ZE8-013	COVER, AIR CLEANER (DUAL)	1	
005	17232-891-000	GROMMET, AIR CLEANER	1	
006	17238-ZE1-000	COLLAR, AIR CLEANER	1	
007	17238-ZE2-310	COLLAR, AIR CLEANER	2	1011231
008	17410-ZE8-013	ELBOW COMP., AIR CLEANER	1	1011231
009	90014-ZE6-000	BOLT, FLANGE, 6X35 (CT200)	1	
010	90201-415-000	NUT, CAP, 6MM	2	2062468
011	90301-ZV0-000	NUT, WING	1	
012	90325-044-000	NUT, TOOL BOX SETTING	1	2093311

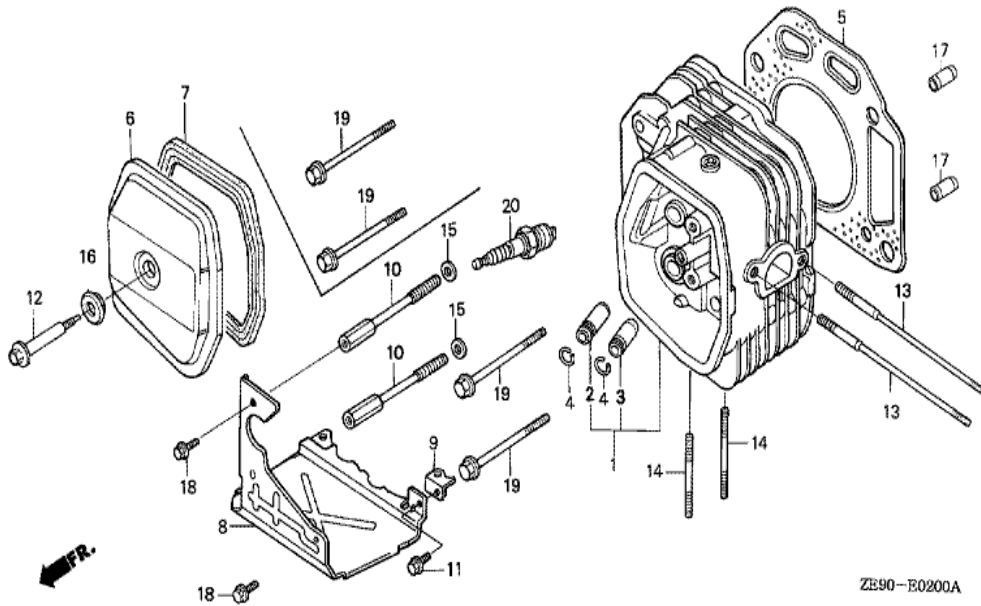


<u>Ref</u>	<u>Partnumber</u>	<u>Description</u>	<u>GXV340</u>	<u>Serial Numbers</u>
001	18310-ZE9-003	MUFFLER COMP.	(1)	
003	18318-ZE8-000	STAY COMP., MUFFLER	(1)	
004	18320-ZE9-000	PROTECTOR, MUFFLER	(1)	
006	18325-ZE9-000	SEPARATOR, MUFFLER	1	
007	18330-ZE9-000	PIPE, EX.	(1)	
008	18331-ZE2-810	CAP, MUFFLER	(1)	
009	18333-ZE3-000	GASKET, EX. PIPE	1	2038669
011	18382-ZE9-000	GASKET, EX. PIPE	1	2038669
012	90031-883-000	BOLT, FLANGE, 8X16	(1)	
013	90050-ZE1-000	SCREW, TAPPING, 5X8	(3)	
014	90055-ZE1-000	SCREW, TAPPING, 4X6	(3)	
015	92900-080601B	BOLT, STUD, 8X60	(1)	
016	92900-080701B	BOLT, STUD, 8X70	(1)	
<u>Ref</u>	<u>Partnumber</u>	<u>Description</u>	<u>GXV340</u>	<u>Serial Numbers</u>
017	93500-060060A	SCREW, PAN, 6X6	(3)	
019	94050-08000	NUT, FLANGE, 8MM	4	
020	94101-06000	WASHER, PLAIN, 6MM	(3)	
021	95900-0801400	BOLT, FLANGE, 8X14	(1)	



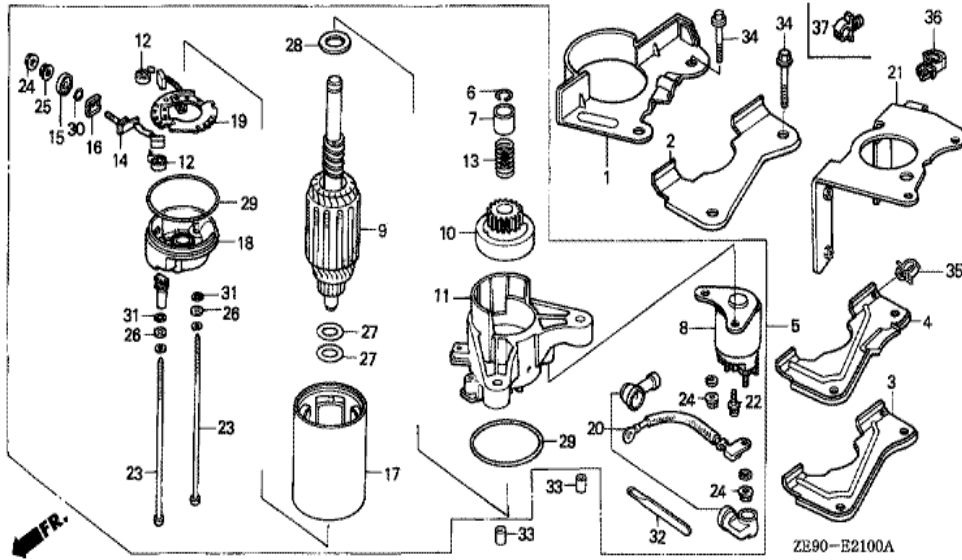


Ref	Partnumber	Description	GXV340	Serial Numbers
001	19511-ZE9-010	FAN, COOLING	1	
002	28450-ZE9-003	PULLEY COMP., STARTER	1	2029294
006	31100-ZE9-000	FLYWHEEL COMP.	(1)	
011	31512-ZE8-000	GROMMET, CORD	1	
018	90201-ZE3-790	NUT, SPECIAL, 16MM	1	2104460
020	90741-ZE2-000	KEY, SPECIAL WOODRUFF, 25X18	1	
022	17240-ZE6-000	COLLAR, EXTENSION	1	

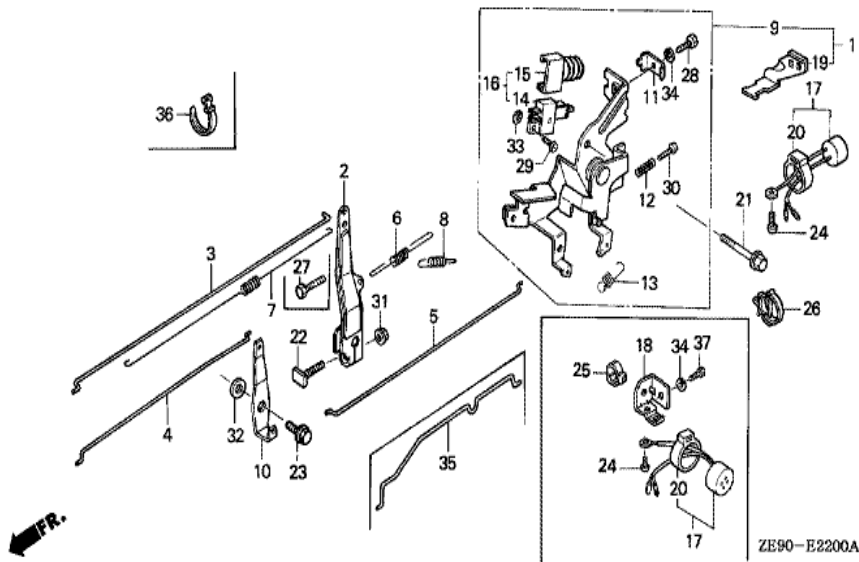


<u>Ref</u>	<u>Partnumber</u>	<u>Description</u>	<u>GXV340</u>	<u>Serial Numbers</u>
001	122A0-ZE9-000	HEAD COMP., CYLINDER	1	
002	12204-ZE2-315	GUIDE, IN. VALVE (OS)	(1)	2040829
003	12205-ZE2-305	GUIDE, EX. VALVE (OS)	(1)	
004	12216-ZE2-300	CLIP, VALVE GUIDE	2	
005	12251-ZE9-000	GASKET, CYLINDER HEAD	1	1013589
006	12310-ZE8-000	COVER, HEAD	1	
007	12391-ZE8-000	PACKING, HEAD COVER	1	
008	18345-ZE9-000	COVER COMP., UNDER	(1)	
009	18347-ZE8-000	STAY COMP., UNDER COVER	(1)	
010	90003-ZE8-003	BOLT, SPECIAL HEAD COVER	(2)	
011	90013-883-000	BOLT, FLANGE, 6X12 (CT200)	(1)	
012	90014-ZE8-000	BOLT, HEAD COVER	1	
013	90042-ZE8-000	BOLT, STUD, 8X131.5	2	
<u>Ref</u>	<u>Partnumber</u>	<u>Description</u>	<u>GXV340</u>	<u>Serial Numbers</u>
014	90047-ZE2-000	BOLT, STUD, 8X47	2	
015	90438-463-000	WASHER, SPECIAL, 11X21X2.3	(2)	
016	90441-ZE2-010	WASHER COMP., HEAD COVER	1	
017	94301-12200	DOWEL PIN, 12X20	2	
018	95700-0601200	BOLT, FLANGE, 6X12	(3)	
019	95725-1008000	BOLT, FLANGE, 10X80	2	
020	98079-55846	PLUG, SPARK (BPR5ES) (NGK)	1	
020	98079-55855	PLUG, SPARK (W16EPR-U) (DENSO)	1	





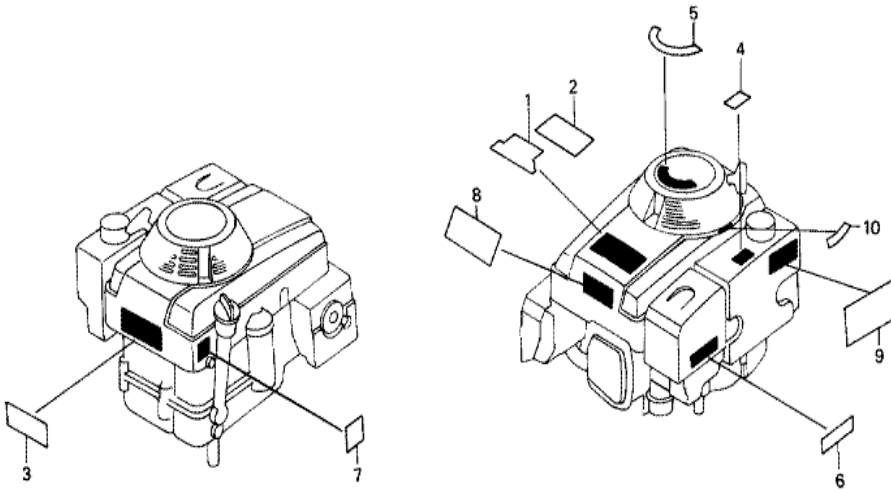
Ref	Partnumber	Description	GXV340	Serial Numbers
002	19611-ZE8-000	PLATE, SIDE	1	
034	95700-0802008	BOLT, FLANGE, 8X20	2	



ZE90-E2200A

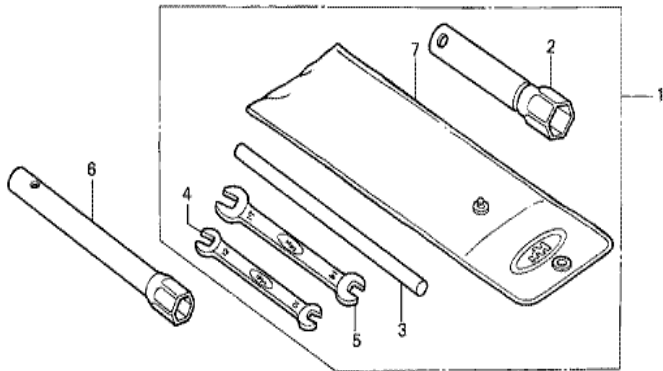
Ref	Partnumber	Description	GXV340	Serial Numbers
002	16551-ZE8-000	ARM, GOVERNOR	1	
003	16555-ZE9-000	ROD, GOVERNOR	1	
004	16556-ZE9-000	ROD, CHOKE	1	
005	16557-ZE8-000	ROD, JOINT	1	
006	16561-ZE9-010	SPRING, GOVERNOR	1	
008	16563-ZE8-000	SPRING, GOVERNOR PRIMARY	1	
009	16570-ZE8-010	CONTROL ASSY.	1	1019388
009	16570-ZE8-810	CONTROL ASSY.	1	1036707
009	16570-ZE8-820	CONTROL ASSY.	1	1047792
010	16575-ZE8-000	LEVER, CHOKE JOINT	1	
011	16576-891-000	HOLDER, CABLE	1	
012	16584-883-300	SPRING, CONTROL ADJUSTING	1	
013	16592-732-700	SPRING, CABLE RETURN	1	1035016

<u>Ref</u>	<u>Partnumber</u>	<u>Description</u>	<u>GXV340</u>	<u>Serial Numbers</u>
014	35330-ZG1-751	SWITCH ASSY., ENGINE	1	
015	35336-750-003	COVER, SWITCH	1	
016	36100-ZE8-003	SWITCH ASSY., ENGINE STOP	1	
017	38400-ZE8-003	BUZZER ASSY.	1	
018	38401-ZE8-000	STAY, BUZZER	1	1019388
019	38401-ZE8-810	STAY, BUZZER	1	1019389
020	38402-GC1-000	SUSPENSION, AUDIBLE PILOT	1	
021	90013-883-000	BOLT, FLANGE, 6X12 (CT200)	1	
022	90015-ZE5-010	BOLT, GOVERNOR ARM	1	1035471
023	90015-ZE8-000	BOLT, FLANGE, 6MM	1	
024	90050-ZE1-000	SCREW, TAPPING, 5X8	1	
025	90683-SA0-003	CLIP, WIRE HARNESS, 25MM	1	1019388
026	90684-ZA0-601	CLIP, HARNESS	1	1019389
028	92300-050161A	BOLT, RECESSED, 5X16	1	2062468
029	93500-040140A	SCREW, PAN, 4X14	1	
030	93500-050200A	SCREW, PAN, 5X20	1	
031	94050-06000	NUT, FLANGE, 6MM	1	
033	94111-04000	WASHER, SPRING, 4MM	1	
034	94111-05000	WASHER, SPRING, 5MM	2	
034	94111-05000	WASHER, SPRING, 5MM	1	1019389
035	16557-ZE8-810	ROD, JOINT	1	1019389
037	92300-050160A	BOLT, RECESSED, 5X16	1	1019388



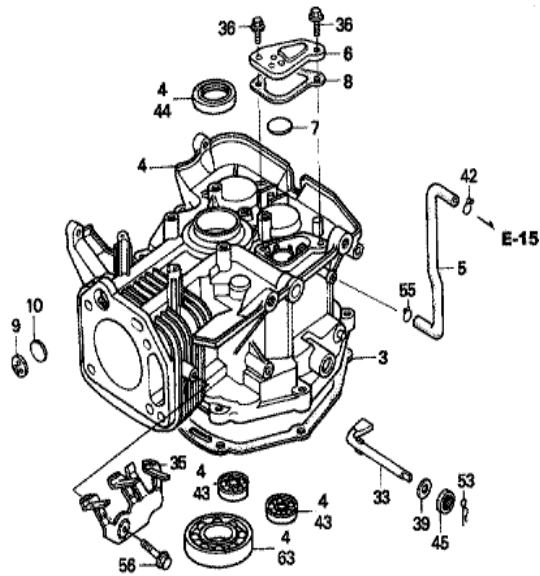
ZE90-E2800

Ref	Partnumber	Description	GXV340	Serial Numbers
002	87101-ZE9-810	EMBLEM, TOP COVER (OIL ALERT)	1	2073680
003	87105-ZE9-000	MARK, CAUTION	1	
003	87105-ZE9-600	LABEL, EMBLEM (ENGLISH/FRENCH/GERMAN)	1	
004	87106-ZE8-000	LABEL, FUEL CAUTION (ENGLISH)	(1)	
005	87154-ZE8-000	MARK, EASY START (ENGLISH)	1	2052778
006	87524-ZE8-000	MARK, AIR CLEANER CAUTION	1	
007	87594-ZE8-000	MARK, OIL CAUTION	1	2062723



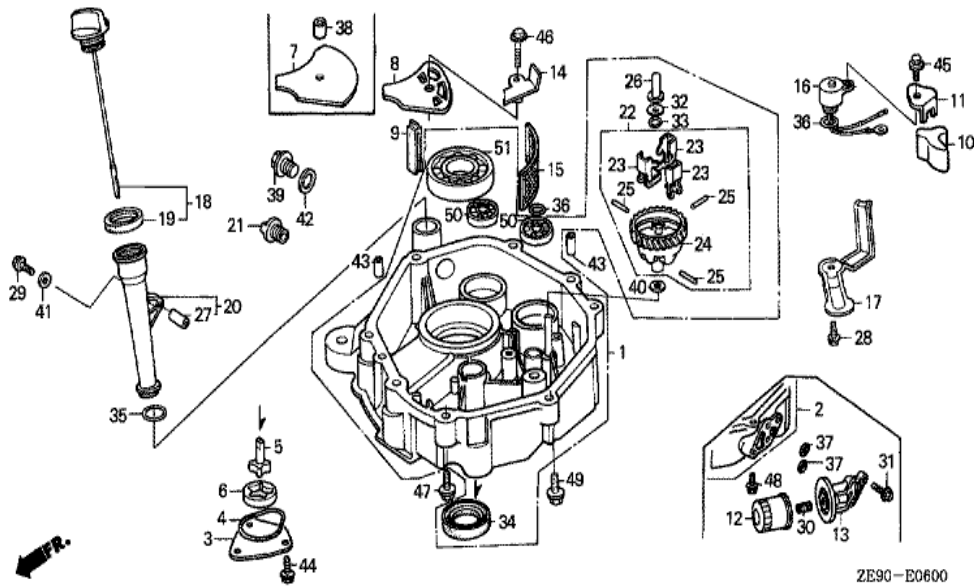
ZE90-E2900

Ref	Partnumber	Description	GXV340	Serial Numbers
006	99004-21002	WRENCH, BOX (P21)	1	



ZE90-E0300A

<u>Ref</u>	<u>Partnumber</u>	<u>Description</u>	<u>GXV340</u>	<u>Serial Numbers</u>
003	11381-ZE9-000	PACKING, OIL PAN	1	
004	120A0-ZE9-000	BARREL ASSY., CYLINDER	1	
005	12315-ZE9-000	TUBE, BREATHER	1	
006	12370-ZE8-000	CAP, BREATHER CHAMBER	1	
007	12372-ZE2-300	VALVE, BREATHER	1	
008	12373-ZE8-000	PACKING, BREATHER CAP	1	
009	12375-ZE9-010	PLATE, ONE-WAY VALVE	1	
010	12376-ZE8-000	VALVE, ONE WAY	1	
033	16541-ZE8-000	SHAFT, GOVERNOR ARM	1	2096049
035	30615-ZE8-000	STAY COMP., SWITCH CORD CLAMP	1	
036	90013-883-000	BOLT, FLANGE, 6X12 (CT200)	2	
039	90406-VM6-000	WASHER, THRUST, 8.1MM	1	
042	95002-70000	CLIP, TUBE (C11)	1	
<u>Ref</u>	<u>Partnumber</u>	<u>Description</u>	<u>GXV340</u>	<u>Serial Numbers</u>
043	96100-6202000	BEARING, RADIAL BALL, 6202	2	
044	91201-ZE3-004	OIL SEAL, 35X52X8	1	
045	91201-ZE9-003	OIL SEAL, 8X14X5	1	
053	94251-08000	PIN, LOCK, 8MM	1	2096049
055	95002-70000	CLIP, TUBE (C11)	1	2062388
056	95700-0601200	BOLT, FLANGE, 6X12	1	1010001

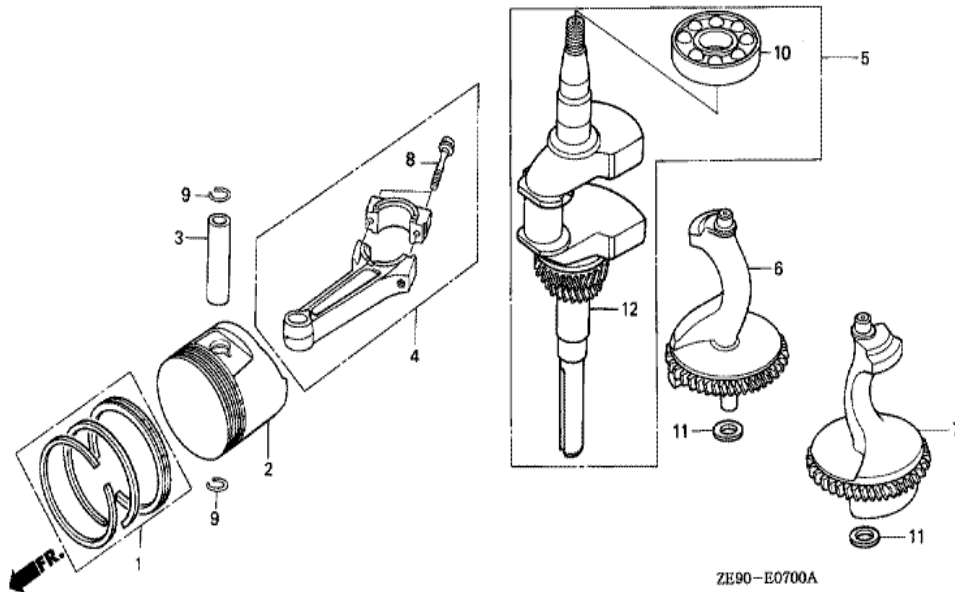


ZE90-E0600

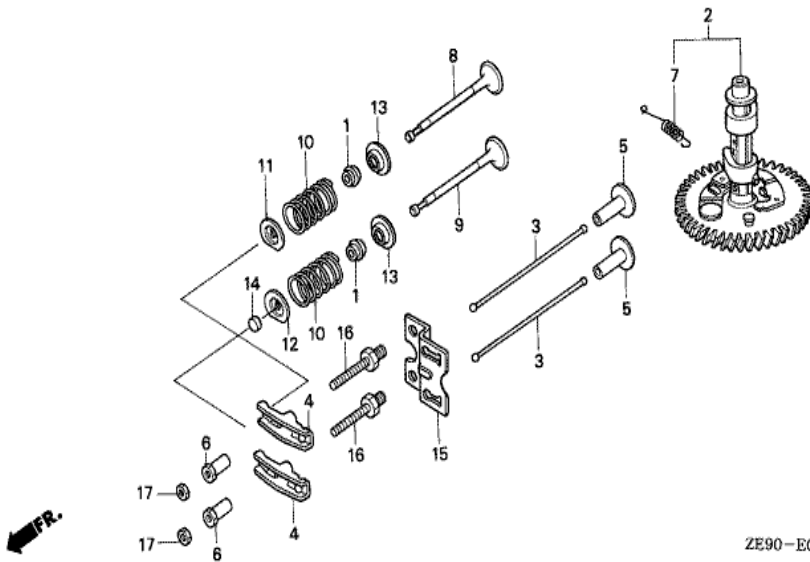
Ref	Partnumber	Description	GXV340	Serial Numbers
001	11300-ZE9-810	PAN ASSY., OIL	1	
003	15130-ZE8-000	COVER, OIL PUMP	1	
004	15131-ZE9-003	O-RING, PUMP COVER	1	
005	15330-ZE8-000	ROTOR COMP., INNER	1	
006	15332-891-003	ROTOR, OIL PUMP OUTER	1	
008	15334-ZE8-810	PLATE, OIL FILTER	1	
008	15334-ZE8-811	PLATE, OIL FILTER	1	
009	15335-ZE9-000	RUBBER, OIL RETURN	1	
010	15336-ZE8-000	STOPPER, OIL	1	
011	15337-ZE8-000	PLATE, OIL STOPPER	1	
014	15420-ZE8-000	PLATE COMP., SUCTION	1	1010001
015	15421-ZE9-003	SCREEN, OIL FILTER	1	1027171
015	15421-ZE9-010	SCREEN, OIL FILTER	1	1010001 1027170

<u>Ref</u>	<u>Partnumber</u>	<u>Description</u>	<u>GXV340</u>	<u>Serial Numbers</u>
016	35410-ZF5-013	SWITCH COMP., OIL LEVEL	1	
017	15519-ZE8-000	PROTECTOR, SWITCH	1	
018	15600-ZE8-000	CAP ASSY., OIL FILLER	1	1035316
018	15600-ZE8-010	CAP ASSY., OIL FILLER	1	1035317
019	15625-ZE8-000	PACKING, OIL FILLER CAP	1	
020	15630-ZE8-000	EXTENSION, OIL FILLER	1	
022	16510-ZE8-000	GOVERNOR ASSY.	1	2086152
023	16511-ZE8-000	WEIGHT, GOVERNOR	3	
024	16512-ZE8-000	HOLDER, GOVERNOR WEIGHT	1	
025	16513-ZE2-000	PIN, GOVERNOR WEIGHT	3	
026	16531-Z0A-000	SLIDER, GOVERNOR	1	
027	17240-ZE6-000	COLLAR, EXTENSION	1	
028	90013-883-000	BOLT, FLANGE, 6X12 (CT200)	1	
029	90014-ZE6-000	BOLT, FLANGE, 6X35 (CT200)	1	
032	90473-147-000	WASHER, 6X16	1	2093309
033	90602-896-000	CLIP, GOVERNOR HOLDER	1	1104350
034	91201-ZE3-004	OIL SEAL, 35X52X8	1	
035	91301-ZE9-003	O-RING, 22.1X2.2	1	
036	91302-ZE9-003	O-RING, 11.8X2.4	1	
039	92800-20000	BOLT, DRAIN PLUG, 20MM	1	
040	94101-06800	WASHER, PLAIN, 6MM	1	
041	94103-06700	WASHER, PLAIN, 6MM	1	
042	94109-20000	WASHER, DRAIN PLUG, 20MM	1	
043	94301-08140	DOWEL PIN, 8X14	2	
044	95700-0601200	BOLT, FLANGE, 6X12	3	
045	95700-0601200	BOLT, FLANGE, 6X12	1	1027170
045	95700-0601600	BOLT, FLANGE, 6X16	1	1027171
046	95700-0602500	BOLT, FLANGE, 6X25	1	1010001
047	95900-0804008	BOLT, FLANGE, 8X40	6	
049	95900-0804008	BOLT, FLANGE, 8X40	1	
050	96100-6202000	BEARING, RADIAL BALL, 6202	2	2100586
051	96100-6207000	BEARING, RADIAL BALL, 6207	1	2100586





Ref	Partnumber	Description	GXV340	Serial Numbers
001	13010-ZE3-003	RING SET, PISTON (STD.) (NIPPON)	1	
001	13010-ZE3-005	RING SET, PISTON (STD.) (TEIKOKU)	1	
001	13011-ZE3-003	RING SET, PISTON (0.25) (NIPPON)	(1)	
001	13011-ZE3-005	RING SET, PISTON (0.25) (TEIKOKU)	(1)	
001	13012-ZE3-003	RING SET, PISTON (0.50) (NIPPON)	(1)	
001	13012-ZE3-005	RING SET, PISTON (0.50) (TEIKOKU)	(1)	
001	13013-ZE3-003	RING SET, PISTON (0.75) (NIPPON)	(1)	
001	13013-ZE3-005	RING SET, PISTON (0.75) (TEIKOKU)	(1)	
002	13101-ZE3-000	PISTON (STD.)	1	
002	13102-ZE3-000	PISTON (0.25)	(1)	
002	13103-ZE3-000	PISTON (0.50)	(1)	
002	13104-ZE3-000	PISTON (0.75)	(1)	
003	13111-ZE3-000	PIN, PISTON	1	
<u>Ref</u>	<u>Partnumber</u>	<u>Description</u>	<u>GXV340</u>	<u>Serial Numbers</u>
004	13200-ZE9-000	ROD ASSY., CONNECTING	1	1043482
004	13200-ZE9-010	ROD ASSY., CONNECTING	1	1043483
004	13200-ZE9-305	ROD ASSY., CONNECTING (0.25 UNDER SIZE)	(1)	1043482
004	13200-ZE9-315	ROD ASSY., CONNECTING (0.25 UNDER SIZE)	(1)	
005	13310-ZE9-000	CRANKSHAFT COMP.	1	
006	13351-ZE9-000	WEIGHT A, BALANCER	1	
007	13356-ZE9-000	WEIGHT B, BALANCER	1	
008	90001-ZE8-000	BOLT, CONNECTING ROD	2	
009	90601-ZE3-000	CLIP, PISTON PIN, 20MM	2	
010	96100-6207000	BEARING, RADIAL BALL, 6207	1	2098953



ZE90-E0900

<u>Ref</u>	<u>Partnumber</u>	<u>Description</u>	<u>GXV340</u>	<u>Serial Numbers</u>
001	12209-ZE8-003	SEAL, VALVE STEM	2	
002	14100-ZE8-010	CAMSHAFT ASSY.	1	1010001
003	14410-ZE3-003	ROD, PUSH	2	1102354
004	14431-ZE2-000	ARM, VALVE ROCKER	2	
005	14441-ZE2-000	LIFTER, VALVE	2	
006	14451-ZE1-003	PIVOT, ROCKER ARM	2	2054423
007	14568-ZE1-000	SPRING, WEIGHT RETURN	1	
008	14711-ZE3-000	VALVE, IN.	1	
009	14721-ZE3-000	VALVE, EX.	1	
010	14751-ZE2-003	SPRING, VALVE	2	
011	14771-ZE2-000	RETAINER, IN. VALVE SPRING	1	
012	14773-ZE2-000	RETAINER, EX. VALVE SPRING	1	
013	14775-ZE2-010	SEAT, VALVE SPRING	2	
<u>Ref</u>	<u>Partnumber</u>	<u>Description</u>	<u>GXV340</u>	<u>Serial Numbers</u>
014	14781-ZE2-000	ROTATOR, VALVE	1	
015	14791-ZE9-000	GUIDE, PUSH ROD	1	
016	90012-ZE0-010	BOLT, PIVOT, 8MM	2	
017	90206-ZE1-000	NUT, PIVOT ADJUSTING	2	