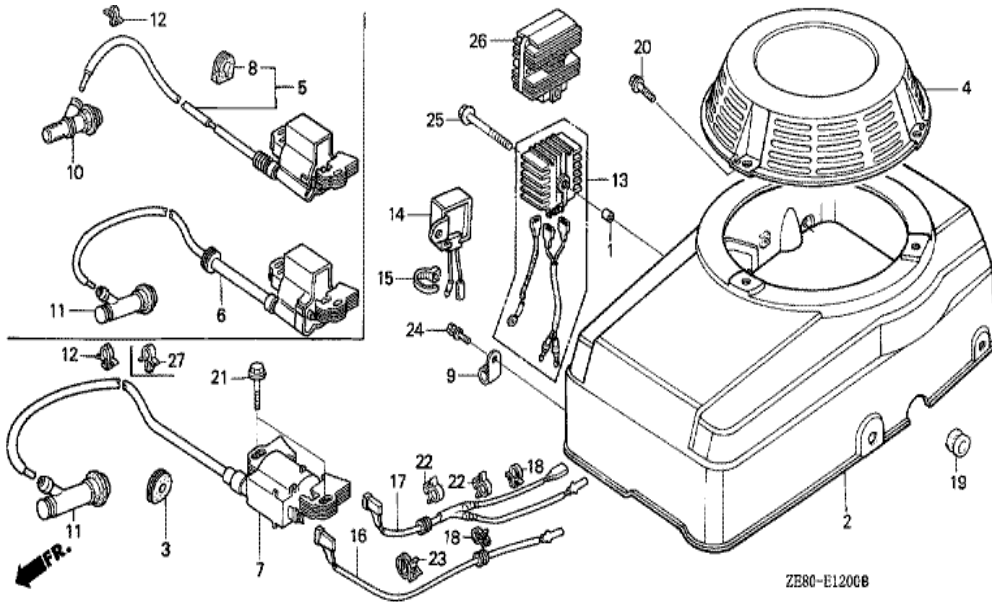
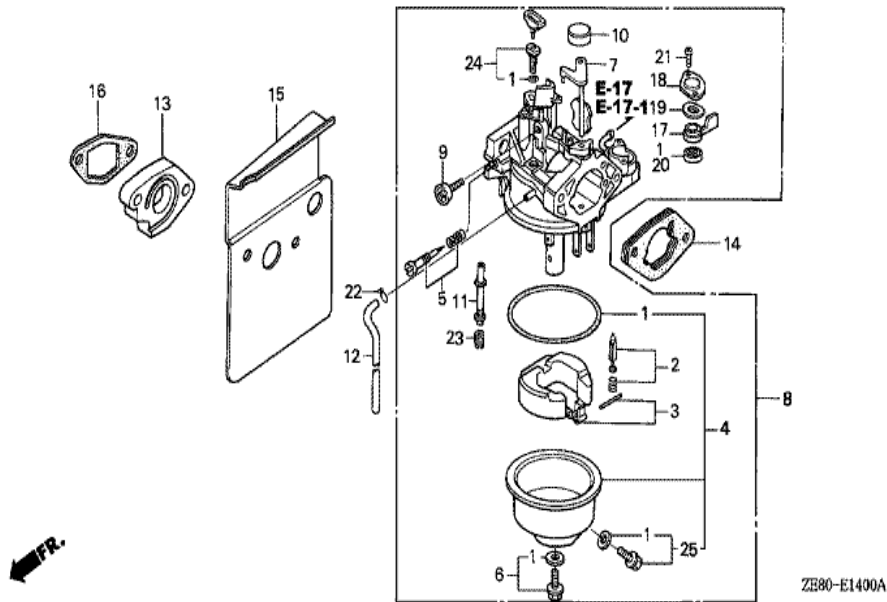


Ref	Partnumber	Description	GXV270	Serial Numbers
001	17219-ZE8-900	FILTER, AIR	1	
002	28400-ZE8-811ZA	STARTER ASSY., RECOIL *R8 *	(1)	
004	28410-ZE8-811ZA	CASE COMP., RECOIL STARTER *R8 *	(1)	
005	28420-ZE8-811	REEL COMP., STARTER	(1)	
006	28422-ZE8-811	RATCHET, STARTER	(1)	
007	28423-ZE1-711	SHAFT, RATCHET	1	
008	28424-ZE1-711	PLATE, GUIDE	1	2006292
009	28431-ZE1-711	PLATE A, FRICTION	1	
010	28432-ZG0-003	PLATE B, FRICTION	1	2006292
011	28434-ZE8-811	COVER, STARTER REEL	(1)	
012	28441-ZE1-711	SPRING, FRICTION (D=18.5MM / L=20.5MM)	1	2006292
012	28441-ZG3-004	SPRING, FRICTION (D=13.0MM / L=16.3MM)	1	
013	28442-ZE1-711	SPRING, RETURN	1	
Ref	Partnumber	Description	GXV270	Serial Numbers
014	28461-ZE8-811	GRIP, STARTER	(1)	
015	28462-ZE8-811	ROPE, STARTER	(1)	
016	90003-ZG0-003	BOLT, REEL COVER	1	2006292
017	90002-ZE8-810	BOLT, FLANGE, 6X10	3	
017	90012-ZE6-000	BOLT, FLANGE, 6X8	3	1059680

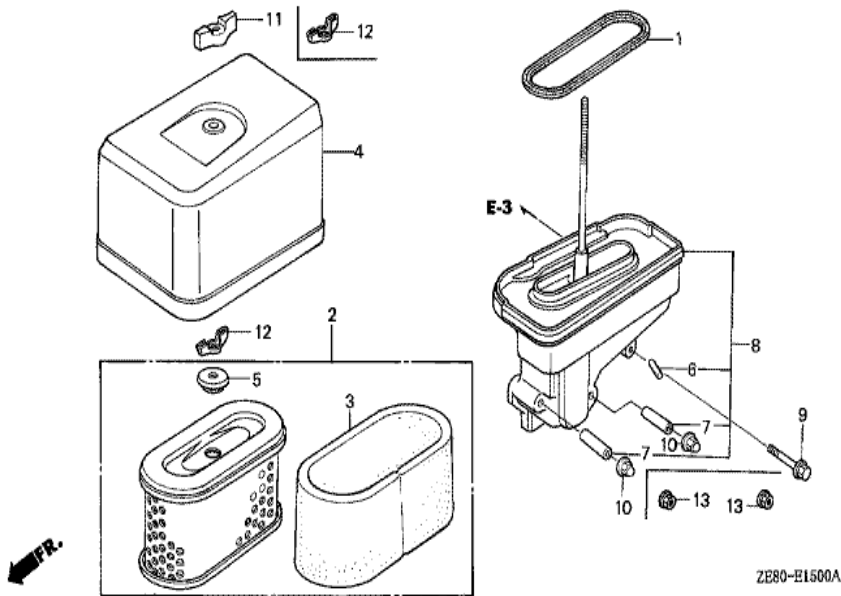


ZE80-E12008

Ref	Partnumber	Description	GXV270	Serial Numbers
002	19610-ZE8-801	COVER COMP., FAN	1	
005	30500-ZE8-003	COIL ASSY., IGNITION	1	
008	30563-ZE8-000	GROMMET, HIGH TENSION	1	
009	30564-ZE8-003	CLAMPER, HIGH TENSION CORD	1	
010	30700-ZE8-003	CAP ASSY., NOISE SUPPRESSOR	1	
012	30701-883-000	CLIP, HIGH TENSION CORD (8MM)	1	2034000
017	36101-ZE8-810	CORD, STOP SWITCH	1	2010443
018	36103-ZE1-000	HOLDER, STOP SWITCH CORD	2	2009080
019	80101-166-000	GROMMET, WIRE CORD	1	
020	90013-883-000	BOLT, FLANGE, 6X12 (CT200)	1	
021	90015-883-000	BOLT, FLANGE, 6X28 (CT200)	2	
023	90684-ZA0-600	CLIP, HARNESS	1	
024	93891-0501200	SCREW-WASHER, 5X12	1	
Ref	Partnumber	Description	GXV270	Serial Numbers
026	31600-ZE2-861	RECTIFIER ASSY., REGULATOR (10A)	1	

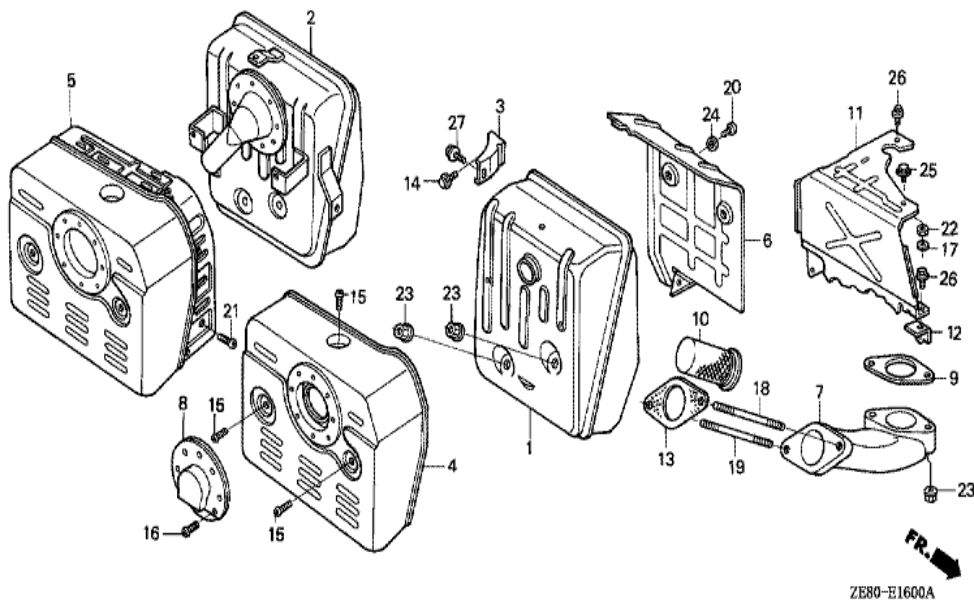


<u>Ref</u>	<u>Partnumber</u>	<u>Description</u>	<u>GXV270</u>	<u>Serial Numbers</u>
001	16010-ZE8-901	GASKET SET	1	
002	16011-ZA0-931	VALVE SET, FLOAT	1	
003	16013-ZA0-931	FLOAT SET	1	
004	16015-ZE8-005	CHAMBER SET, FLOAT	1	
005	16016-ZE8-901	SCREW SET	1	
006	16028-ZE0-005	SCREW SET	1	
007	16044-ZE2-005	CHOKE SET	1	BE23A D
008	16100-ZE8-902	CARBURETOR ASSY. (BE41A B)	1	
009	16124-ZE0-005	SCREW, THROTTLE STOP	1	
010	16148-141-881	CAP, CHOKE DUST	1	BE23A F
011	16166-ZE8-901	NOZZLE, MAIN	1	
013	16211-ZE8-000	INSULATOR, CARBURETOR	1	
014	16220-ZA0-701	SPACER COMP., CARBURETOR	1	1029065 1060085
<u>Ref</u>	<u>Partnumber</u>	<u>Description</u>	<u>GXV270</u>	<u>Serial Numbers</u>
014	16220-ZA0-702	SPACER COMP., CARBURETOR	1	1060086
015	16221-ZE8-000	PACKING, CARBURETOR	1	2007800
016	16223-ZE8-000	PACKING, INSULATOR	1	2007975
023	99101-ZE80800	JET, MAIN, #80	(1)	
023	99101-ZE80820	JET, MAIN, #82	(1)	
023	99101-ZE80850	JET, MAIN, #85	1	
024	99204-ZA00450	JET SET, PILOT, #45	1	



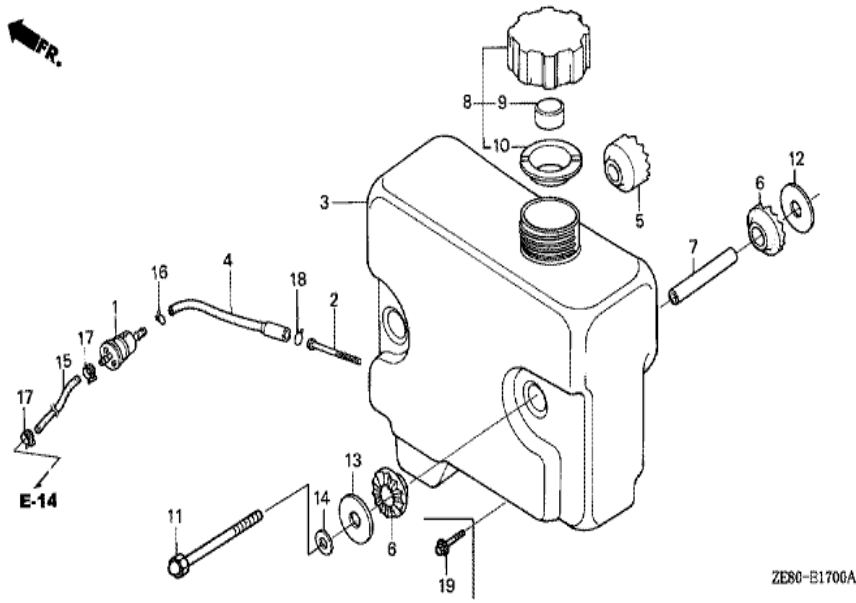
ZE80-E1500A

<u>Ref</u>	<u>Partnumber</u>	<u>Description</u>	<u>GXV270</u>	<u>Serial Numbers</u>
001	16271-ZE8-000	PACKING, ELBOW	1	
002	17210-ZE8-003	ELEMENT, AIR CLEANER	1	1062980
002	17210-ZE8-013	ELEMENT, AIR CLEANER	1	1062981
003	17218-ZE8-003	FILTER, OUTER	1	
004	17230-ZE8-013	COVER, AIR CLEANER (DUAL)	1	
004	17230-ZE8-900	COVER, AIR CLEANER (DUAL)	1	1053644
005	17232-891-000	GROMMET, AIR CLEANER	1	
006	17238-ZE1-000	COLLAR, AIR CLEANER	1	
007	17238-ZE2-310	COLLAR, AIR CLEANER	2	1029065
008	17410-ZE8-013	ELBOW COMP., AIR CLEANER	1	1029065
008	17410-ZE8-900	ELBOW COMP., AIR CLEANER	1	1053643
009	90014-ZE6-000	BOLT, FLANGE, 6X35 (CT200)	1	
010	90201-415-000	NUT, CAP, 6MM	2	2008202
<u>Ref</u>	<u>Partnumber</u>	<u>Description</u>	<u>GXV270</u>	<u>Serial Numbers</u>
011	90301-ZV0-000	NUT, WING	1	
012	90325-044-000	NUT, TOOL BOX SETTING	2	2009909

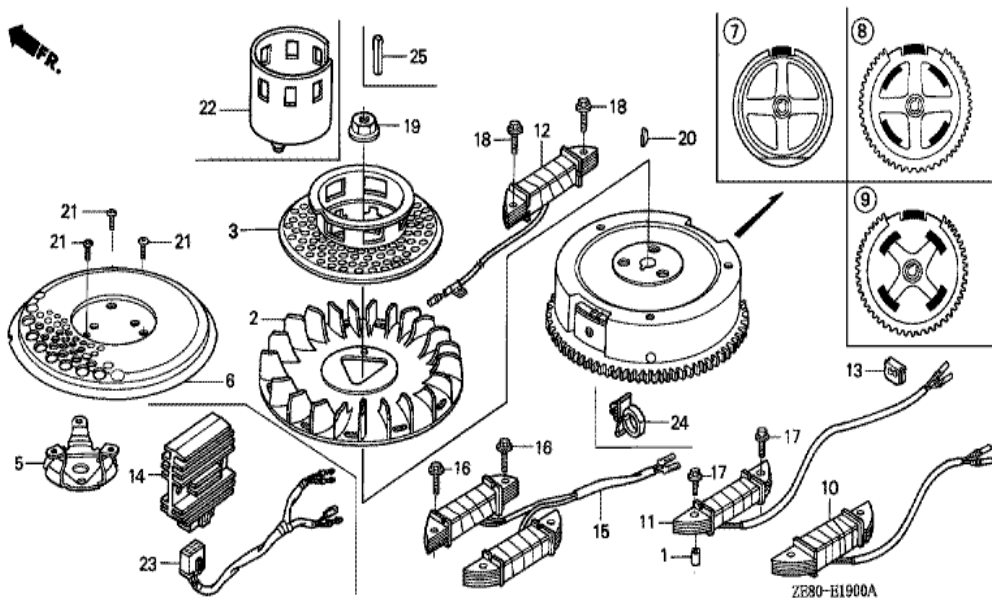


ZE80-E1600A

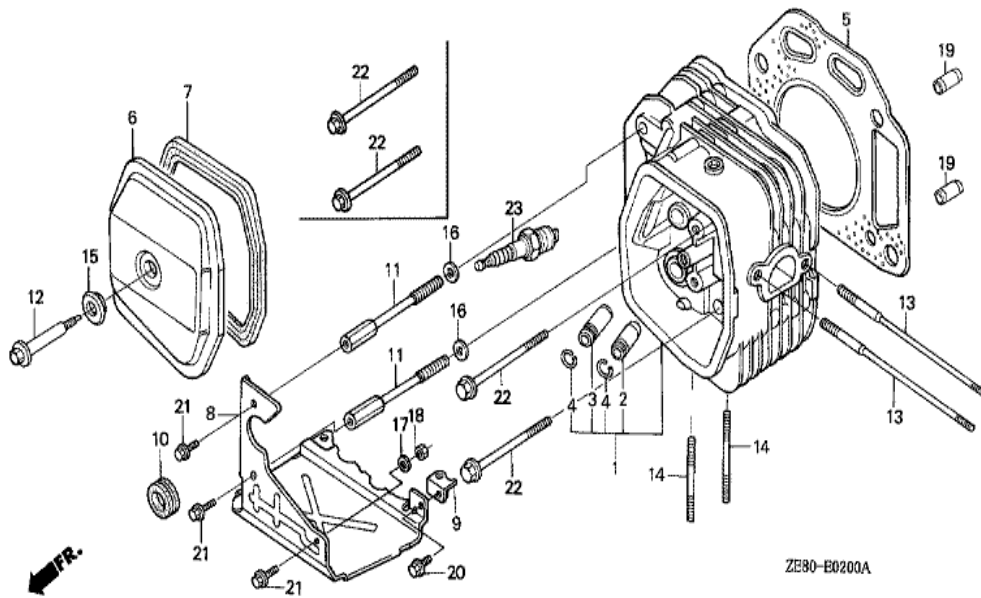
<u>Ref</u>	<u>Partnumber</u>	<u>Description</u>	<u>GXV270</u>	<u>Serial Numbers</u>
002	18310-ZE8-901	MUFFLER COMP.	1	
003	18318-ZE8-000	STAY COMP., MUFFLER	(1)	
005	18320-ZE8-901	PROTECTOR COMP., MUFFLER	1	
006	18325-ZE8-000	SEPARATOR, MUFFLER	(1)	
007	18330-ZE8-000	PIPE, EX.	(1)	
009	18333-ZE2-000	GASKET, EX. PIPE	1	
013	18382-899-000	GASKET, EX. PIPE	1	2007975
014	90031-883-000	BOLT, FLANGE, 8X16	(1)	
015	90050-ZE1-000	SCREW, TAPPING, 5X8	(3)	
018	92900-080601B	BOLT, STUD, 8X60	(1)	
019	92900-080701B	BOLT, STUD, 8X70	(1)	
020	93500-060060A	SCREW, PAN, 6X6	(3)	
021	93903-35010	SCREW, TAPPING, 5X8	4	
<u>Ref</u>	<u>Partnumber</u>	<u>Description</u>	<u>GXV270</u>	<u>Serial Numbers</u>
023	94050-08000	NUT, FLANGE, 8MM	4	
024	94101-06000	WASHER, PLAIN, 6MM	(3)	
027	95900-0801400	BOLT, FLANGE, 8X14	(1)	



Ref	Partnumber	Description	GXV270	Serial Numbers
019	95700-0801600	BOLT, FLANGE, 8X16	(2)	

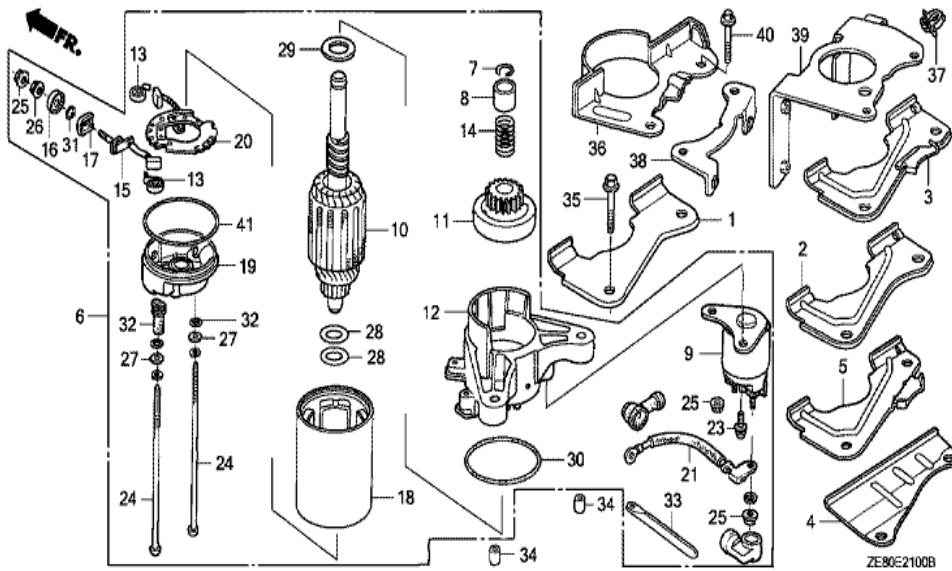


Ref	Partnumber	Description	GXV270	Serial Numbers
001	17240-ZE6-000	COLLAR, EXTENSION	1	
002	19511-ZE8-000	FAN, COOLING	1	1101945
008	31100-ZE8-800	FLYWHEEL COMP.	(1)	
010	31510-ZE8-003	COIL ASSY., CHARGE (2A-3A)	(1)	
013	31512-ZE8-000	GROMMET, CORD	1	
015	31630-ZE8-003	COIL ASSY., CHARGE	(1)	
016	90031-ZE1-000	BOLT, FLANGE, 6X32	4	
019	90201-ZE3-790	NUT, SPECIAL, 16MM	1	2013886
020	90741-ZE2-000	KEY, SPECIAL WOODRUFF, 25X18	1	



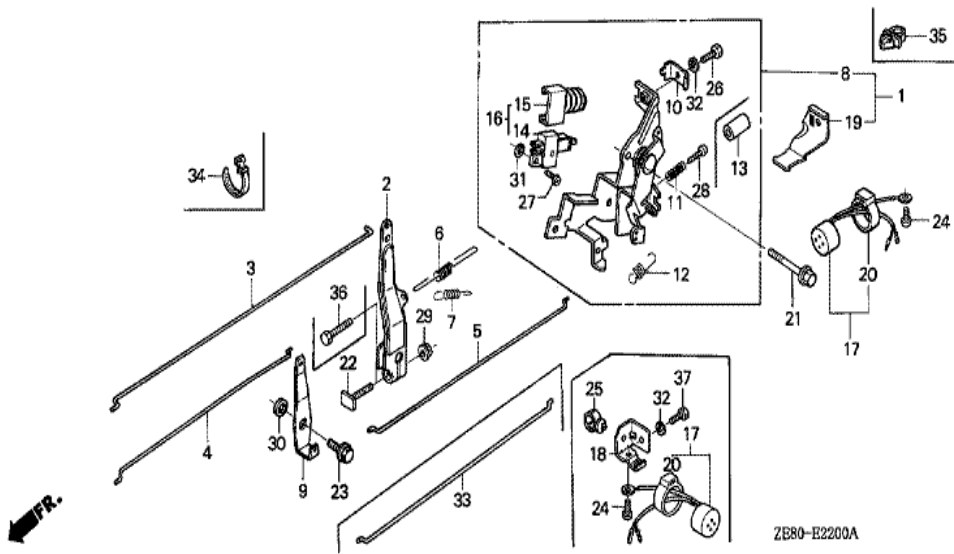
Ref	Partnumber	Description	GXV270	Serial Numbers
001	122A0-ZE8-900	HEAD COMP., CYLINDER	1	
002	12204-ZE2-325	GUIDE, IN. VALVE (OS)	(1)	
003	12205-ZE2-315	GUIDE, EX. VALVE (OS)	(1)	
004	12216-ZE2-300	CLIP, VALVE GUIDE	2	
005	12251-ZE8-020	GASKET, CYLINDER HEAD	1	
006	12310-ZE8-000	COVER, HEAD	1	
007	12391-ZE8-000	PACKING, HEAD COVER	1	
011	90003-ZE8-003	BOLT, SPECIAL HEAD COVER	(2)	
012	90014-ZE8-000	BOLT, HEAD COVER	1	
013	90042-ZE8-000	BOLT, STUD, 8X131.5	2	
014	90047-ZE2-000	BOLT, STUD, 8X47	2	
015	90441-ZE2-010	WASHER COMP., HEAD COVER	1	1035001
016	90438-463-000	WASHER, SPECIAL, 11X21X2.3	(2)	
Ref	Partnumber	Description	GXV270	Serial Numbers
019	94301-12200	DOWEL PIN, 12X20	2	
022	95725-1008000	BOLT, FLANGE, 10X80	2	
023	98079-55846	PLUG, SPARK (BPR5ES) (NGK)	1	
023	98079-55855	PLUG, SPARK (W16EPR-U) (DENSO)	1	2002275





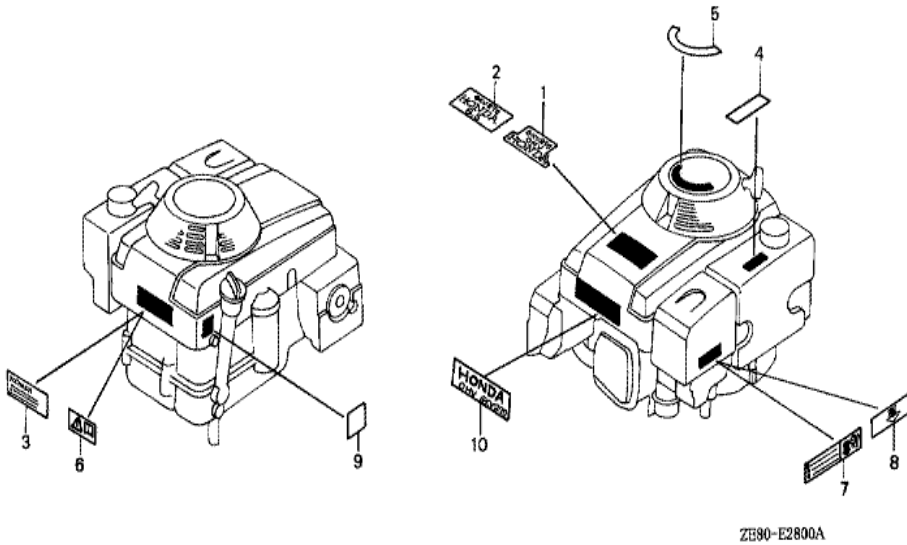
Ref	Partnumber	Description	GXV270	Serial Numbers
002	19611-ZE9-801	PLATE, SIDE	(1)	
003	19611-ZE9-810	PLATE COMP., SIDE	(1)	
006	31200-ZE8-801	MOTOR ASSY., STARTER	(1)	
007	31201-ZA1-003	RING, SNAP	(1)	
008	31202-ZA1-003	COLLAR, CLUTCH STOP	(1)	
009	31204-ZA0-003	CONTACTOR ASSY.	(1)	
010	31206-ZA1-003	ARMATURE COMP.	(1)	
011	31207-ZA1-003	CLUTCH ASSY., OVERRUNNING	(1)	
012	31208-ZE8-013	HOUSING, DRIVE SIDE	1	
013	31212-ZA0-700	SPRING, BRUSH	(2)	
014	31212-ZE8-003	SPRING	(1)	
015	31215-ZA1-013	BRUSH	(1)	
016	31216-ZA1-013	BUSH, INSULATION	(1)	

<u>Ref</u>	<u>Partnumber</u>	<u>Description</u>	<u>GXV270</u>	<u>Serial Numbers</u>
017	31217-ZA1-013	BUSH, INSULATION	(1)	
018	31218-ZA1-013	YOKE COMP.	(1)	
019	31219-ZE8-003	FRAME, STARTER END	(1)	
020	31231-ZA1-003	PLATE COMP., BRUSH HOLDER	(1)	
021	31232-ZE8-003	WIRE, WATER COVER	(1)	
023	90101-ZA1-003	BOLT	(2)	
024	90102-ZA1-003	BOLT, THROUGH	2	
025	90201-ZA1-003	NUT	(3)	
026	90202-ZA1-003	NUT	(1)	
027	90401-ZA1-003	WASHER, STEEL PLATE	2	2004195
028	90402-ZA1-003	WASHER	(2)	
029	90403-ZA1-003	WASHER	(1)	
030	91301-ZA1-003	O-RING	1	2014949
031	91302-ZA1-013	O-RING	(1)	
032	91303-ZA1-003	O-RING	2	2004195
033	91406-ZE8-000	CLAMP, CORD	1	1000981
034	94301-10160	DOWEL PIN, 10X16	(2)	
035	95700-0803500	BOLT, FLANGE, 8X35	(2)	
041	91301-ZA1-003	O-RING	1	2004195



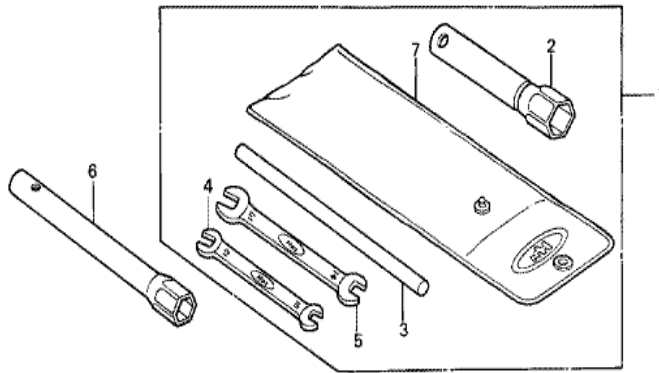
ZE80-E2200A

<u>Ref</u>	<u>Partnumber</u>	<u>Description</u>	<u>GXV270</u>	<u>Serial Numbers</u>
002	16551-ZE8-000	ARM, GOVERNOR	1	
003	16555-ZE8-000	ROD, GOVERNOR	1	
004	16556-ZE8-000	ROD, CHOKE	1	
005	16557-ZE8-810	ROD, JOINT	1	1068441
006	16561-ZE8-000	SPRING, GOVERNOR	1	
007	16563-ZE8-000	SPRING, GOVERNOR PRIMARY	1	
008	16570-ZE8-820	CONTROL ASSY.	1	1043319
009	16575-ZE8-000	LEVER, CHOKE JOINT	1	
010	16576-891-000	HOLDER, CABLE	1	
011	16584-883-300	SPRING, CONTROL ADJUSTING	1	
012	16592-732-700	SPRING, CABLE RETURN	1	1035016
014	35330-ZG1-751	SWITCH ASSY., ENGINE	1	
016	36100-ZE8-003	SWITCH ASSY., ENGINE STOP	1	
<u>Ref</u>	<u>Partnumber</u>	<u>Description</u>	<u>GXV270</u>	<u>Serial Numbers</u>
017	38400-ZE8-003	BUZZER ASSY.	1	2010443
019	38401-ZE8-810	STAY, BUZZER	1	1043319
020	38402-GC1-000	SUSPENSION, AUDIBLE PILOT	1	2010443
021	90013-883-000	BOLT, FLANGE, 6X12 (CT200)	1	
022	90015-ZE5-010	BOLT, GOVERNOR ARM	1	
023	90015-ZE8-000	BOLT, FLANGE, 6MM	1	
024	90050-ZE1-000	SCREW, TAPPING, 5X8	1	2010443
025	90684-ZA0-600	CLIP, HARNESS	1	1043319
026	92300-050161A	BOLT, RECESSED, 5X16	1	2008228
027	93500-040140A	SCREW, PAN, 4X14	1	
028	93500-050200A	SCREW, PAN, 5X20	1	
029	94050-06000	NUT, FLANGE, 6MM	1	
030	94101-06800	WASHER, PLAIN, 6MM	1	
031	94111-04000	WASHER, SPRING, 4MM	1	
032	94111-05000	WASHER, SPRING, 5MM	2	
037	92300-050160A	BOLT, RECESSED, 5X16	1	



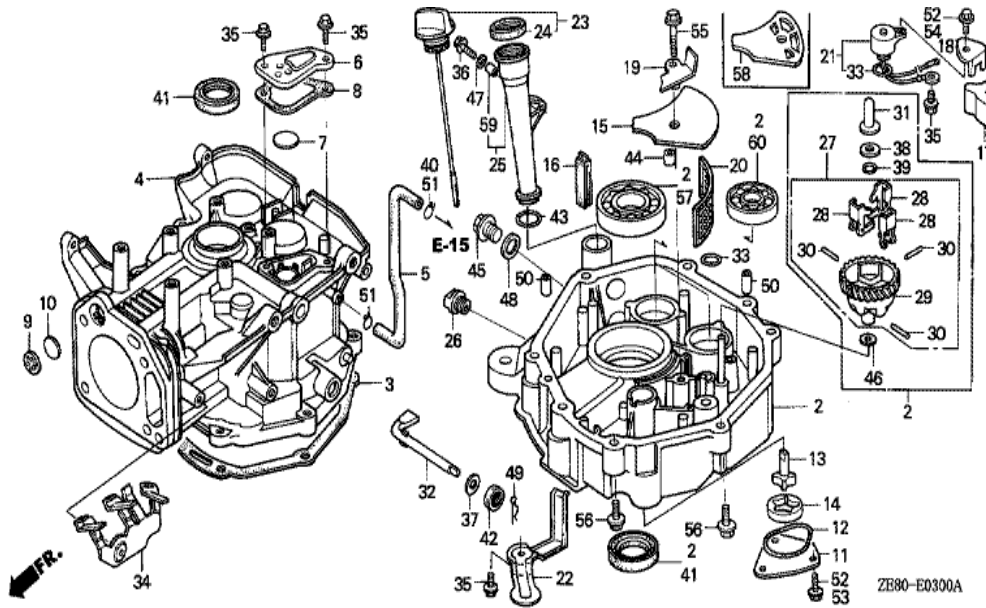
ZE90-E2800A

Ref	Partnumber	Description	GXV270	Serial Numbers
002	87101-ZE8-810	EMBLEM, TOP COVER (E)	1	2008801
003	87105-ZE8-000	LABEL, EMBLEM (H)	1	
005	87154-ZE8-000	MARK, EASY START (ENGLISH)	1	2008800
007	87524-ZE8-000	MARK, AIR CLEANER CAUTION	1	
009	87594-ZE8-000	MARK, OIL CAUTION	1	2008203



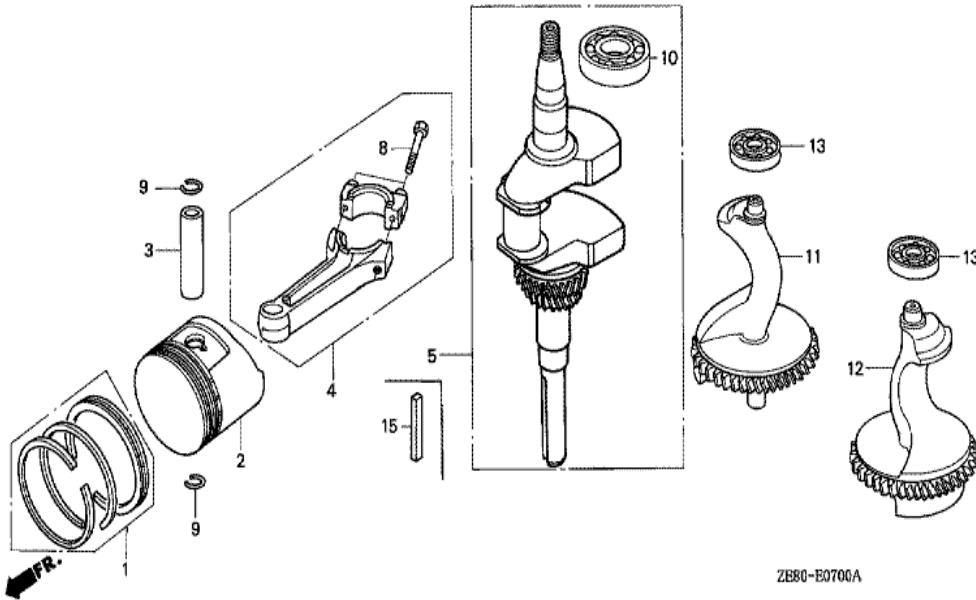
ZE80-132900A

Ref	Partnumber	Description	GXV270	Serial Numbers
006	99004-21002	WRENCH, BOX (P21)	1	



Ref	Partnumber	Description	GXV270	Serial Numbers
002	113A0-ZE8-810	PAN ASSY., OIL	1	
003	11381-ZE9-000	PACKING, OIL PAN	1	1100008
004	121A0-ZE8-020	BARREL COMP., CYLINDER	1	
005	12315-ZE8-010	TUBE, BREATHER	1	1004622
006	12370-ZE8-000	CAP, BREATHER CHAMBER	1	
007	12372-ZE2-300	VALVE, BREATHER	1	
008	12373-ZE8-000	PACKING, BREATHER CAP	1	
011	15130-ZE8-000	COVER, OIL PUMP	1	
012	15131-ZE9-003	O-RING, PUMP COVER	1	1011328
013	15330-ZE8-000	ROTOR COMP., INNER	1	
014	15332-891-003	ROTOR, OIL PUMP OUTER	1	
016	15335-ZE9-000	RUBBER, OIL RETURN	1	
017	15336-ZE8-000	STOPPER, OIL	1	2010443

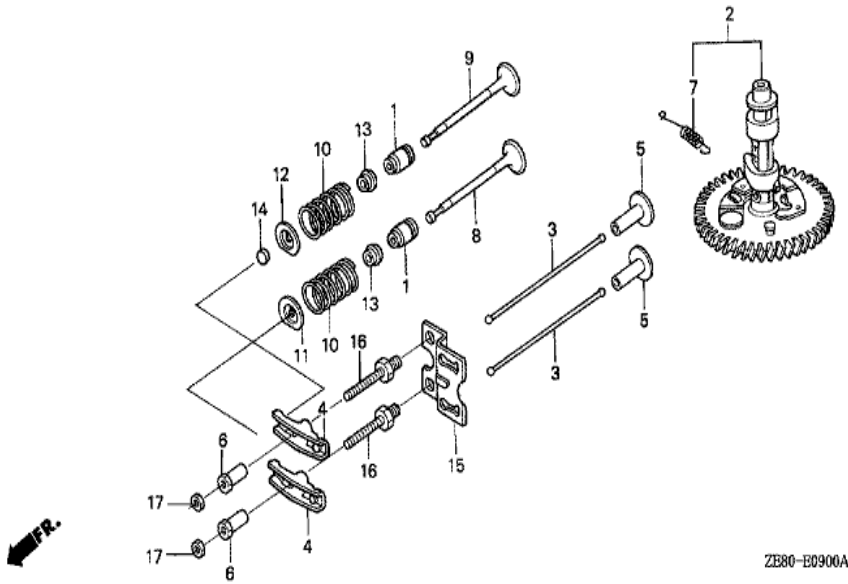
<u>Ref</u>	<u>Partnumber</u>	<u>Description</u>	<u>GXV270</u>	<u>Serial Numbers</u>
018	15337-ZE8-000	PLATE, OIL STOPPER	1	2010443
019	15420-ZE8-000	PLATE COMP., SUCTION	1	2010443
020	15421-ZE9-003	SCREEN, OIL FILTER	1	1044841
021	35410-ZF5-013	SWITCH COMP., OIL LEVEL	1	2032125
022	15519-ZE8-000	PROTECTOR, SWITCH	1	
023	15600-ZE8-000	CAP ASSY., OIL FILLER	1	
024	15625-ZE8-000	PACKING, OIL FILLER CAP	1	
025	15630-ZE8-000	EXTENSION, OIL FILLER	1	
027	16510-ZE8-000	GOVERNOR ASSY.	1	2009820
028	16511-ZE8-000	WEIGHT, GOVERNOR	3	
029	16512-ZE2-000	HOLDER, GOVERNOR WEIGHT	1	
030	16513-ZE2-000	PIN, GOVERNOR WEIGHT	3	
031	16531-ZOA-000	SLIDER, GOVERNOR	1	2031013
032	16541-ZE8-000	SHAFT, GOVERNOR ARM	1	2010987
033	91302-ZE9-003	O-RING, 11.8X2.4	2	
034	30615-ZE8-000	STAY COMP., SWITCH CORD CLAMP	1	
035	90013-883-000	BOLT, FLANGE, 6X12 (CT200)	2	2010443
036	90014-ZE6-000	BOLT, FLANGE, 6X35 (CT200)	1	
037	90406-VM6-000	WASHER, THRUST, 8.1MM	1	
038	90473-147-000	WASHER, 6X16	1	
039	90602-896-000	CLIP, GOVERNOR HOLDER	1	
041	91201-890-003	OIL SEAL, 30X46X8	2	
042	91201-ZE9-003	OIL SEAL, 8X14X5	1	1011328
043	91301-ZE9-003	O-RING, 22.1X2.2	1	1011328
045	92800-20000	BOLT, DRAIN PLUG, 20MM	1	
046	94101-06800	WASHER, PLAIN, 6MM	1	
047	94103-06700	WASHER, PLAIN, 6MM	1	2009868
048	94109-20000	WASHER, DRAIN PLUG, 20MM	1	
049	94251-08000	PIN, LOCK, 8MM	1	2010987
050	94301-08140	DOWEL PIN, 8X14	2	
051	95002-70000	CLIP, TUBE (C11)	2	
052	95700-0601200	BOLT, FLANGE, 6X12	3	
054	95700-0601600	BOLT, FLANGE, 6X16	1	1044841
<u>Ref</u>	<u>Partnumber</u>	<u>Description</u>	<u>GXV270</u>	<u>Serial Numbers</u>
055	95700-0602500	BOLT, FLANGE, 6X25	1	1035001
056	95900-0804008	BOLT, FLANGE, 8X40	7	
057	96100-6206000	BEARING, RADIAL BALL, 6206	1	
058	15334-ZE8-810	PLATE, OIL FILTER	1	
058	15334-ZE8-811	PLATE, OIL FILTER	1	2010443
060	96100-6202000	BEARING, RADIAL BALL, 6202	2	



Ref	Partnumber	Description	GXV270	Serial Numbers
001	13010-ZE8-003	RING SET, PISTON (STD.) (NIPPON)	1	1065100
001	13010-ZE8-004	RING SET, PISTON (STD.)	1	
001	13010-ZE8-013	RING SET, PISTON (STD.) (NIPPON)	1	1065101
001	13010-ZE8-014	RING SET, PISTON (STD.)	1	1065101
001	13011-ZE8-003	RING SET, PISTON (0.25) (NIPPON)	(1)	1065100
001	13011-ZE8-004	RING SET, PISTON (0.25)	(1)	
001	13011-ZE8-013	RING SET, PISTON (0.25) (NIPPON)	(1)	1065101
001	13011-ZE8-014	RING SET, PISTON (0.25)	(1)	1065101
001	13012-ZE8-003	RING SET, PISTON (0.50) (NIPPON)	(1)	1065100
001	13012-ZE8-004	RING SET, PISTON (0.50)	(1)	
001	13012-ZE8-013	RING SET, PISTON (0.50) (NIPPON)	(1)	1065101
001	13012-ZE8-014	RING SET, PISTON (0.50)	(1)	1065101
001	13013-ZE8-003	RING SET, PISTON (0.75) (NIPPON)	(1)	1065100



<u>Ref</u>	<u>Partnumber</u>	<u>Description</u>	<u>GXV270</u>	<u>Serial Numbers</u>
001	13013-ZE8-004	RING SET, PISTON (0.75)	(1)	
001	13013-ZE8-013	RING SET, PISTON (0.75) (NIPPON)	(1)	1065101
001	13013-ZE8-014	RING SET, PISTON (0.75)	(1)	1065101
002	13101-ZE8-000	PISTON (STD.)	1	1065100
002	13101-ZE8-010	PISTON (STD.)	1	
002	13102-ZE8-000	PISTON (0.25)	(1)	2009338
002	13102-ZE8-010	PISTON (0.25)	(1)	2009339
002	13103-ZE8-000	PISTON (0.50)	(1)	1065100
002	13103-ZE8-010	PISTON (0.50)	(1)	2009339
002	13104-ZE8-000	PISTON (0.75)	(1)	2009338
002	13104-ZE8-010	PISTON (0.75)	(1)	
003	13111-ZE2-000	PIN, PISTON	1	
004	13200-ZE8-000	ROD ASSY., CONNECTING	1	2028391
004	13200-ZE8-305	ROD ASSY., CONNECTING (0.25 UNDER SIZE)	(1)	
005	13310-ZE8-000	CRANKSHAFT COMP.	1	
008	90001-ZE8-000	BOLT, CONNECTING ROD	2	
009	90551-ZE1-000	CLIP, PISTON PIN, 18MM	2	1060086
009	94601-18000	CLIP, PISTON PIN, 18MM	2	1060085
010	96100-6206000	BEARING, RADIAL BALL, 6206	1	
011	13351-ZE8-000	WEIGHT A, BALANCER	1	
012	13356-ZE8-000	WEIGHT B, BALANCER	1	
013	96100-6202000	BEARING, RADIAL BALL, 6202	2	



ZE80-B0900A

<u>Ref</u>	<u>Partnumber</u>	<u>Description</u>	<u>GXV270</u>	<u>Serial Numbers</u>
001	12209-ZE8-003	SEAL, VALVE STEM	2	
002	14100-ZE8-010	CAMSHAFT ASSY.	1	1035001
003	14410-ZE2-003	ROD, PUSH	2	1100711
004	14431-ZE2-000	ARM, VALVE ROCKER	2	
005	14441-ZE2-000	LIFTER, VALVE	2	
006	14451-ZE1-003	PIVOT, ROCKER ARM	2	2007800
007	14568-ZE1-000	SPRING, WEIGHT RETURN	1	
008	14711-ZE8-900	VALVE, IN.	1	
009	14721-ZE8-900	VALVE, EX. (STELLITE)	1	
010	14751-ZE2-003	SPRING, VALVE	2	
011	14771-ZE2-000	RETAINER, IN. VALVE SPRING	1	
012	14771-ZE2-000	RETAINER, IN. VALVE SPRING	1	
013	14775-ZE2-010	SEAT, VALVE SPRING	2	
<u>Ref</u>	<u>Partnumber</u>	<u>Description</u>	<u>GXV270</u>	<u>Serial Numbers</u>
015	14791-ZE8-000	GUIDE, PUSH ROD	1	1055461
015	14791-ZE8-010	GUIDE, PUSH ROD	1	1055462
016	90012-ZE0-010	BOLT, PIVOT, 8MM	2	
017	90206-ZE1-000	NUT, PIVOT ADJUSTING	2	



HENG-X0003

<u>Ref</u>	<u>Partnumber</u>	<u>Description</u>	<u>GXV270</u>	<u>Serial Numbers</u>
001	061A1-ZE8-030	GASKET KIT	1	