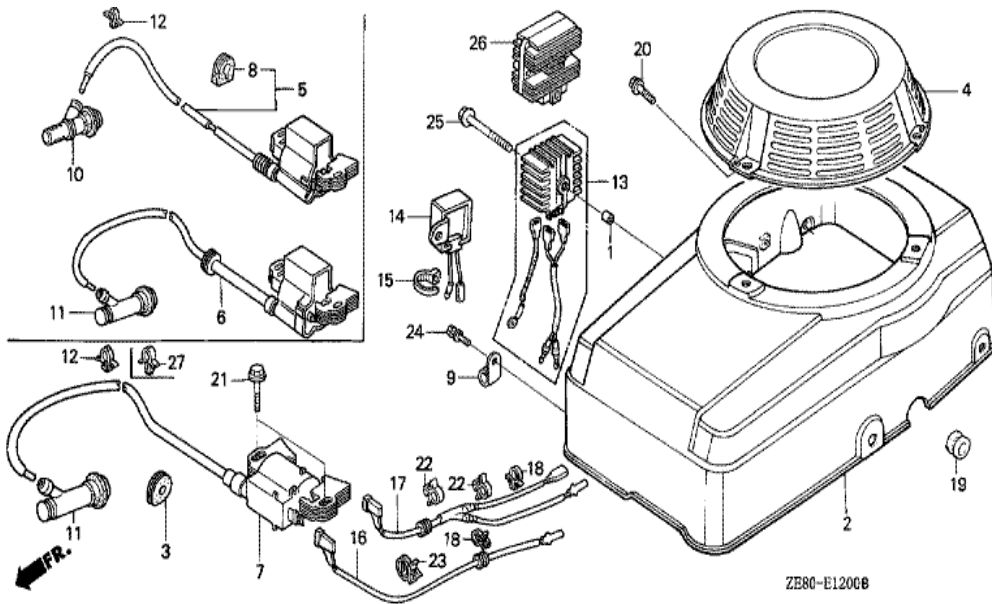
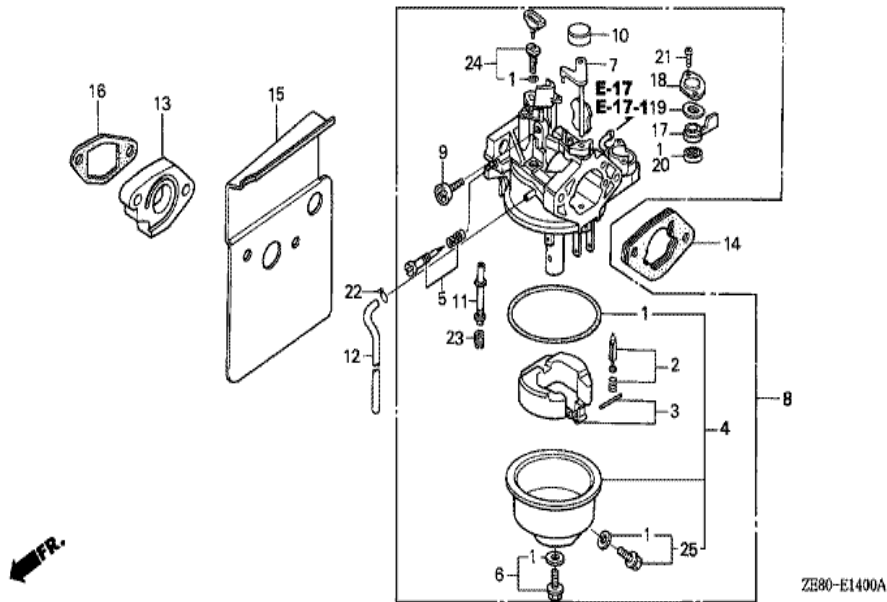


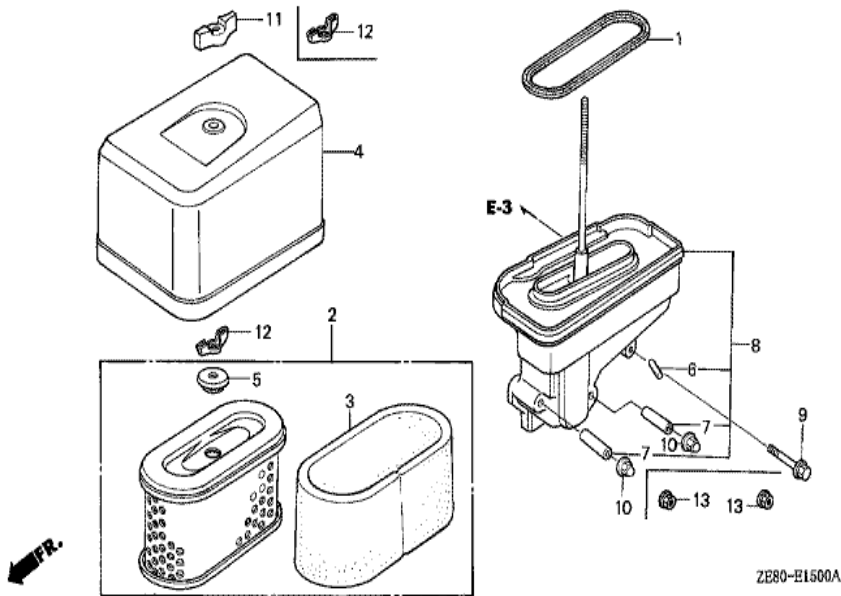
| Ref | Partnumber | Description | GXV270 | Serial Numbers |
|------------|-------------------|--|---------------|-----------------------|
| 002 | 28400-ZE8-811ZA | STARTER ASSY., RECOIL *R8 * | (1) | |
| 004 | 28410-ZE8-811ZA | CASE COMP., RECOIL STARTER *R8 * | (1) | |
| 005 | 28420-ZE8-811 | REEL COMP., STARTER | (1) | |
| 006 | 28422-ZE8-811 | RATCHET, STARTER | (1) | |
| 007 | 28423-ZE1-711 | SHAFT, RATCHET | 1 | |
| 008 | 28424-ZE1-711 | PLATE, GUIDE | 1 | 2006292 |
| 009 | 28431-ZE1-711 | PLATE A, FRICTION | 1 | |
| 010 | 28432-ZG0-003 | PLATE B, FRICTION | 1 | 2006292 |
| 011 | 28434-ZE8-811 | COVER, STARTER REEL | (1) | |
| 012 | 28441-ZE1-711 | SPRING, FRICTION (D=18.5MM / L=20.5MM) | 1 | 2006292 |
| 012 | 28441-ZG3-004 | SPRING, FRICTION (D=13.0MM / L=16.3MM) | 1 | |
| 013 | 28442-ZE1-711 | SPRING, RETURN | 1 | |
| 014 | 28461-ZE8-811 | GRIP, STARTER | (1) | |
| <u>Ref</u> | <u>Partnumber</u> | <u>Description</u> | <u>GXV270</u> | <u>Serial Numbers</u> |
| 015 | 28462-ZE8-811 | ROPE, STARTER | (1) | |
| 016 | 90003-ZG0-003 | BOLT, REEL COVER | 1 | 2006292 |
| 017 | 90002-ZE8-810 | BOLT, FLANGE, 6X10 | 3 | |
| 017 | 90012-ZE6-000 | BOLT, FLANGE, 6X8 | 3 | 1059680 |



| Ref | Partnumber | Description | GXV270 | Serial Numbers |
|-----|---------------|-----------------------------|--------|----------------|
| 001 | 17239-ZE8-700 | SPACER, AIR CLEANER ELBOW | (1) | |
| 002 | 19610-ZE8-801 | COVER COMP., FAN | 1 | |
| 005 | 30500-ZE8-003 | COIL ASSY., IGNITION | 1 | |
| 008 | 30563-ZE8-000 | GROMMET, HIGH TENSION | 1 | |
| 009 | 30564-ZE8-003 | CLAMPER, HIGH TENSION CORD | 1 | |
| 010 | 30700-ZE8-003 | CAP ASSY., NOISE SUPPRESSOR | 1 | |
| 013 | 31700-ZE8-003 | RECTIFIER ASSY., SILICON | (1) | |
| 017 | 36101-ZE8-810 | CORD, STOP SWITCH | 1 | 2010443 |
| 018 | 36103-ZE1-000 | HOLDER, STOP SWITCH CORD | 2 | 2009080 |
| 019 | 80101-166-000 | GROMMET, WIRE CORD | 1 | |
| 020 | 90013-883-000 | BOLT, FLANGE, 6X12 (CT200) | 1 | |
| 021 | 90015-883-000 | BOLT, FLANGE, 6X28 (CT200) | 2 | |
| 023 | 90684-ZA0-600 | CLIP, HARNESS | 1 | |
| Ref | Partnumber | Description | GXV270 | Serial Numbers |
| 024 | 93891-0501200 | SCREW-WASHER, 5X12 | 1 | |
| 025 | 95700-0604000 | BOLT, FLANGE, 6X40 | (1) | |

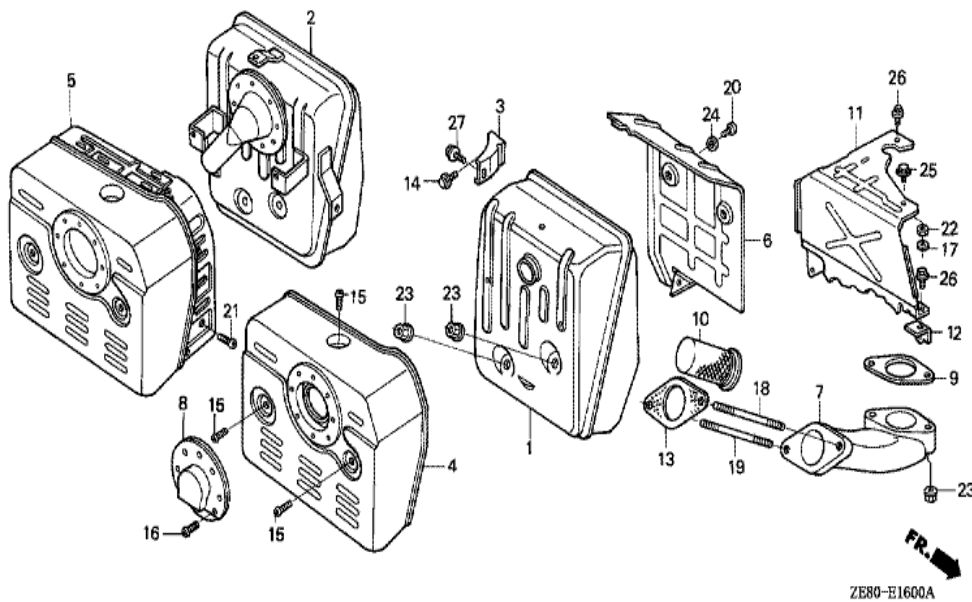


| Ref | Partnumber | Description | GXV270 | Serial Numbers |
|-----|---------------|----------------------------|--------|-----------------|
| 001 | 16010-ZE2-005 | GASKET SET | 1 | BE23A D |
| 002 | 16011-ZA0-931 | VALVE SET, FLOAT | 1 | |
| 003 | 16013-ZA0-931 | FLOAT SET | 1 | |
| 004 | 16015-ZE8-005 | CHAMBER SET, FLOAT | 1 | |
| 005 | 16016-ZA0-931 | SCREW SET, PILOT | 1 | |
| 006 | 16028-ZE0-005 | SCREW SET | 1 | |
| 007 | 16044-ZE2-005 | CHOKE SET | 1 | BE23A D |
| 008 | 16100-ZE8-015 | CARBURETOR ASSY. (BE23A C) | 1 | 1100511 |
| 009 | 16124-ZE0-005 | SCREW, THROTTLE STOP | 1 | |
| 010 | 16148-943-003 | CAP, CHOKE DUST | 1 | BE23A E |
| 011 | 16166-ZE8-005 | NOZZLE, MAIN | 1 | |
| 012 | 16199-ZE8-000 | TUBE, AIR VENT (75MM) | (1) | |
| 013 | 16211-ZE8-000 | INSULATOR, CARBURETOR | 1 | |
| Ref | Partnumber | Description | GXV270 | Serial Numbers |
| 014 | 16220-ZA0-701 | SPACER COMP., CARBURETOR | 1 | 1029065 1060085 |
| 014 | 16220-ZA0-702 | SPACER COMP., CARBURETOR | 1 | 1060086 |
| 015 | 16221-ZE8-000 | PACKING, CARBURETOR | 1 | 2007800 |
| 016 | 16223-ZE8-000 | PACKING, INSULATOR | 1 | 2007975 |
| 017 | 16953-ZE1-711 | LEVER, COCK | 1 | BE23A E |
| 018 | 16954-ZE1-811 | PLATE, LEVER SETTING | 1 | BE23A E |
| 019 | 16956-ZE1-811 | SPRING, COCK LEVER | 1 | |
| 020 | 16957-ZE1-811 | PACKING, FUEL COCK | 1 | |
| 021 | 93500-030081H | SCREW, PAN, 3X8 | 2 | BE23A D |
| 022 | 95002-02080 | CLIP, TUBE (B8) | (1) | |
| 023 | 99101-1240800 | JET, MAIN, #80 | (1) | BE23A D |
| 023 | 99101-1240820 | JET, MAIN, #82 | (1) | BE23A D |
| 023 | 99101-1240850 | JET, MAIN, #85 | 1 | BE23A D |
| 024 | 99204-ZA00450 | JET SET, PILOT, #45 | 1 | |



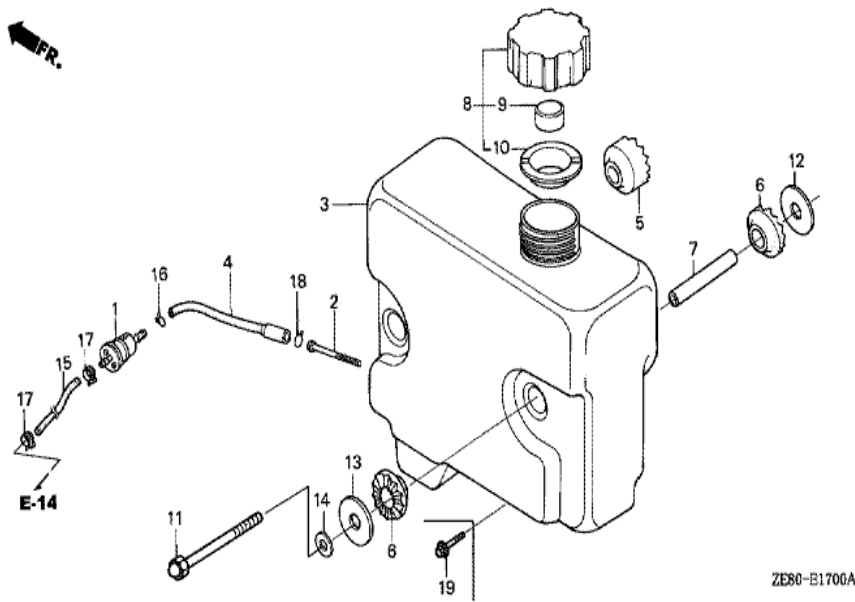
ZE80-E1500A

| <u>Ref</u> | <u>Partnumber</u> | <u>Description</u> | <u>GXV270</u> | <u>Serial Numbers</u> |
|------------|-------------------|----------------------------|---------------|-----------------------|
| 001 | 16271-ZE8-000 | PACKING, ELBOW | 1 | |
| 002 | 17210-ZE8-003 | ELEMENT, AIR CLEANER | 1 | 1062980 |
| 002 | 17210-ZE8-013 | ELEMENT, AIR CLEANER | 1 | 1062981 |
| 003 | 17218-ZE8-003 | FILTER, OUTER | 1 | |
| 004 | 17230-ZE8-003 | COVER, AIR CLEANER | 1 | |
| 004 | 17230-ZE8-013 | COVER, AIR CLEANER (DUAL) | 1 | |
| 005 | 17232-891-000 | GROMMET, AIR CLEANER | 1 | |
| 006 | 17238-ZE1-000 | COLLAR, AIR CLEANER | 1 | |
| 007 | 17238-ZE2-300 | COLLAR, AIR CLEANER | 2 | 1029064 |
| 007 | 17238-ZE2-310 | COLLAR, AIR CLEANER | 2 | 1029065 |
| 008 | 17410-ZE8-003 | ELBOW COMP., AIR CLEANER | 1 | 1029064 |
| 008 | 17410-ZE8-013 | ELBOW COMP., AIR CLEANER | 1 | 1029065 1053643 |
| 009 | 90014-ZE6-000 | BOLT, FLANGE, 6X35 (CT200) | 1 | |
| <u>Ref</u> | <u>Partnumber</u> | <u>Description</u> | <u>GXV270</u> | <u>Serial Numbers</u> |
| 010 | 90201-415-000 | NUT, CAP, 6MM | 2 | 2008202 |
| 011 | 90301-ZV0-000 | NUT, WING | 1 | |
| 012 | 90325-044-000 | NUT, TOOL BOX SETTING | 2 | 2009909 |



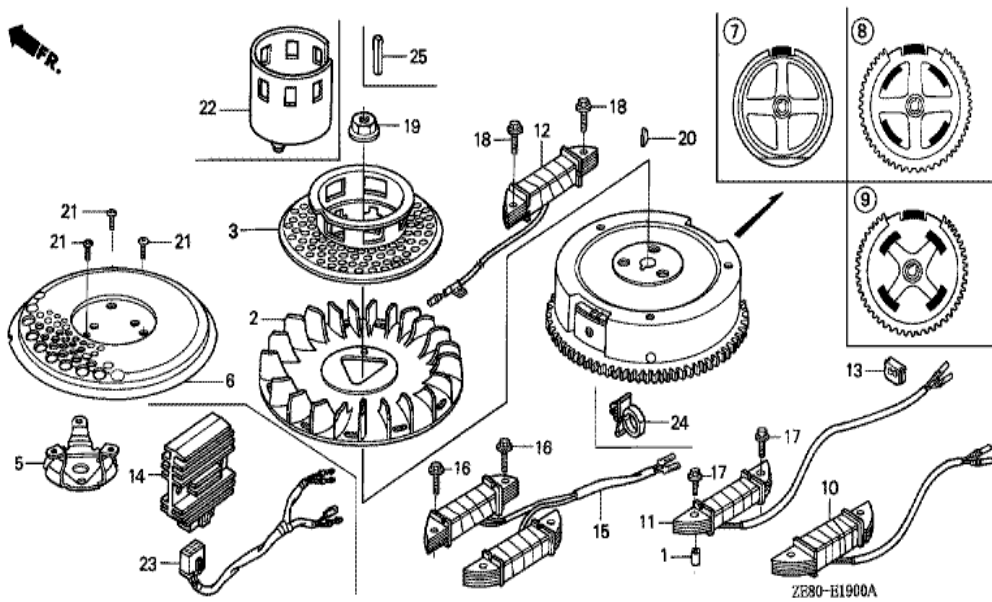
ZE80-E1600A

| <u>Ref</u> | <u>Partnumber</u> | <u>Description</u> | <u>GXV270</u> | <u>Serial Numbers</u> |
|------------|-------------------|-------------------------|---------------|-----------------------|
| 001 | 18310-ZE8-003 | MUFFLER COMP. | (1) | |
| 003 | 18318-ZE8-000 | STAY COMP., MUFFLER | (1) | |
| 004 | 18320-ZE8-000 | PROTECTOR, MUFFLER | (1) | |
| 006 | 18325-ZE8-000 | SEPARATOR, MUFFLER | (1) | |
| 007 | 18330-ZE8-000 | PIPE, EX. | (1) | |
| 008 | 18331-ZE2-810 | CAP, MUFFLER | 1 | 2010442 |
| 009 | 18333-ZE2-000 | GASKET, EX. PIPE | 1 | |
| 010 | 18335-ZE8-000 | ARRESTER, SPARK | (1) | |
| 011 | 18345-ZE8-000 | COVER COMP., UNDER | 1 | 1007530 |
| 012 | 18347-ZE8-000 | STAY COMP., UNDER COVER | 1 | 1007530 |
| 013 | 18382-899-000 | GASKET, EX. PIPE | 1 | 2007975 |
| 014 | 90031-883-000 | BOLT, FLANGE, 8X16 | (1) | |
| 015 | 90050-ZE1-000 | SCREW, TAPPING, 5X8 | (3) | |
| <u>Ref</u> | <u>Partnumber</u> | <u>Description</u> | <u>GXV270</u> | <u>Serial Numbers</u> |
| 016 | 90055-ZE1-000 | SCREW, TAPPING, 4X6 | 3 | 2010442 |
| 017 | 90899-ZE8-000 | RUBBER, UNDER | 1 | 1007530 |
| 018 | 92900-080601B | BOLT, STUD, 8X60 | (1) | |
| 019 | 92900-080701B | BOLT, STUD, 8X70 | (1) | |
| 020 | 93500-060060A | SCREW, PAN, 6X6 | (3) | |
| 022 | 94002-062000S | NUT, HEX., 6MM | 1 | 1007530 |
| 023 | 94050-08000 | NUT, FLANGE, 8MM | 4 | |
| 024 | 94101-06000 | WASHER, PLAIN, 6MM | (3) | |
| 025 | 95700-0601000 | BOLT, FLANGE, 6X10 | 1 | 1007530 |
| 026 | 95700-0601200 | BOLT, FLANGE, 6X12 | 3 | 1007530 |
| 027 | 95900-0801400 | BOLT, FLANGE, 8X14 | (1) | |

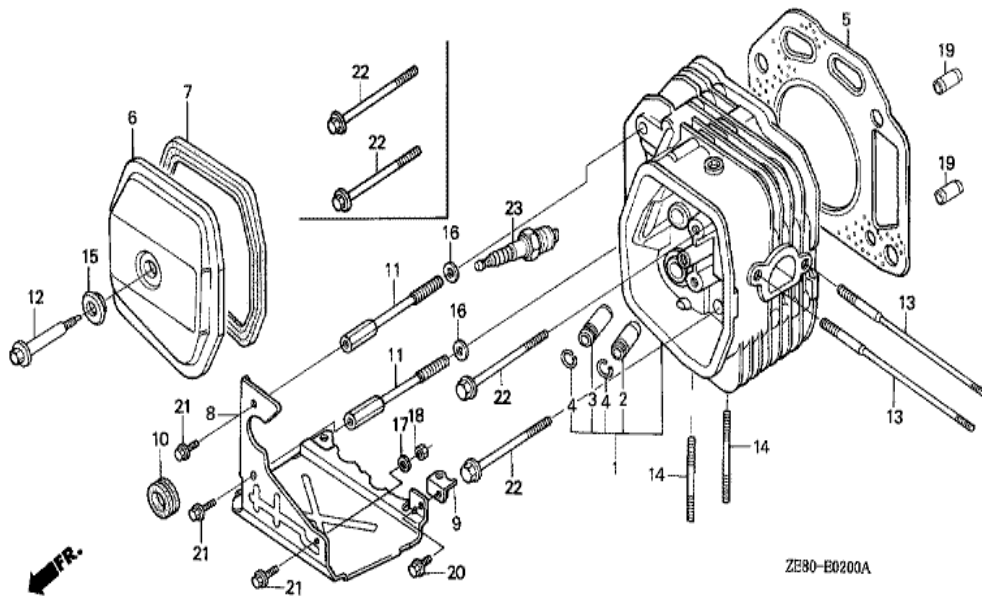


ZE80-B1700A

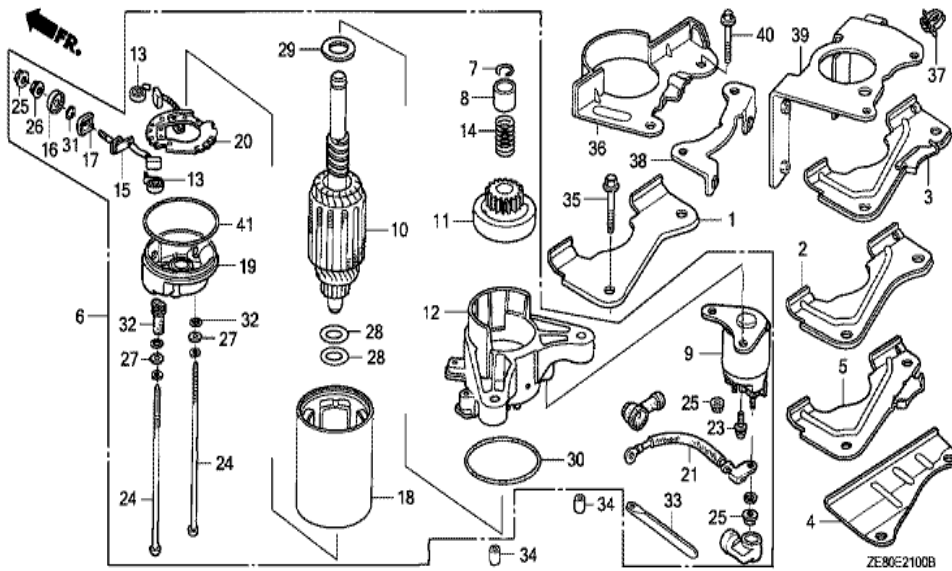
| Ref | Partnumber | Description | GXV270 | Serial Numbers |
|-----|---------------|--------------------------------------|--------|----------------|
| 001 | 16910-ZE8-005 | STRAINER COMP., FUEL | (1) | |
| 014 | 94101-08000 | WASHER, PLAIN, 8MM | (2) | |
| 015 | 95001-4536020 | HOSE, FUEL, 4.5X360(95001-45001-50M) | (1) | |
| 017 | 95002-4085008 | CLAMP, TUBE (D8.5) | (2) | |
| 019 | 95700-0801600 | BOLT, FLANGE, 8X16 | (2) | |



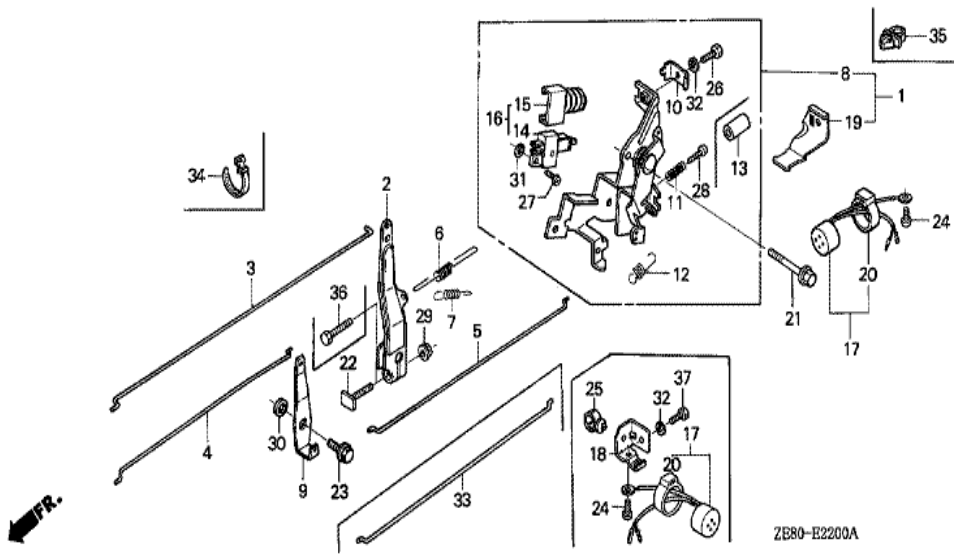
| Ref | Partnumber | Description | GXV270 | Serial Numbers |
|-----|---------------|------------------------------|--------|----------------|
| 001 | 17240-ZE6-000 | COLLAR, EXTENSION | 1 | |
| 002 | 19511-ZE8-000 | FAN, COOLING | 1 | 1101945 |
| 003 | 28450-ZE8-003 | PULLEY COMP., STARTER | 1 | 2006292 |
| 008 | 31100-ZE8-800 | FLYWHEEL COMP. | (1) | |
| 010 | 31510-ZE8-003 | COIL ASSY., CHARGE (2A-3A) | (1) | |
| 013 | 31512-ZE8-000 | GROMMET, CORD | 1 | |
| 017 | 90015-883-000 | BOLT, FLANGE, 6X28 (CT200) | 2 | 1044841 |
| 017 | 90121-952-000 | BOLT, FLANGE, 6X25 (CT200) | 2 | 1044840 |
| 019 | 90201-ZE3-790 | NUT, SPECIAL, 16MM | 1 | 2013886 |
| 020 | 90741-ZE2-000 | KEY, SPECIAL WOODRUFF, 25X18 | 1 | |



| <u>Ref</u> | <u>Partnumber</u> | <u>Description</u> | <u>GXV270</u> | <u>Serial Numbers</u> |
|------------|-------------------|--------------------------------|---------------|-----------------------|
| 001 | 122A0-ZE8-010 | HEAD COMP., CYLINDER | 1 | 1035001 |
| 002 | 12204-ZE2-325 | GUIDE, IN. VALVE (OS) | (1) | |
| 003 | 12205-ZE2-315 | GUIDE, EX. VALVE (OS) | (1) | |
| 004 | 12216-ZE2-300 | CLIP, VALVE GUIDE | 2 | |
| 005 | 12251-ZE8-010 | GASKET, CYLINDER HEAD | 1 | 1035001 |
| 006 | 12310-ZE8-000 | COVER, HEAD | 1 | |
| 007 | 12391-ZE8-000 | PACKING, HEAD COVER | 1 | |
| 011 | 90003-ZE8-003 | BOLT, SPECIAL HEAD COVER | (2) | |
| 012 | 90014-ZE8-000 | BOLT, HEAD COVER | 1 | |
| 013 | 90042-ZE8-000 | BOLT, STUD, 8X131.5 | 2 | |
| 014 | 90047-ZE2-000 | BOLT, STUD, 8X47 | 2 | |
| 015 | 90441-ZE2-010 | WASHER COMP., HEAD COVER | 1 | 1035001 |
| 016 | 90438-463-000 | WASHER, SPECIAL, 11X21X2.3 | (2) | |
| <u>Ref</u> | <u>Partnumber</u> | <u>Description</u> | <u>GXV270</u> | <u>Serial Numbers</u> |
| 019 | 94301-12200 | DOWEL PIN, 12X20 | 2 | |
| 022 | 95725-1008000 | BOLT, FLANGE, 10X80 | 2 | |
| 023 | 98079-55846 | PLUG, SPARK (BPR5ES) (NGK) | 1 | |
| 023 | 98079-55855 | PLUG, SPARK (W16EPR-U) (DENSO) | 1 | 2002275 |

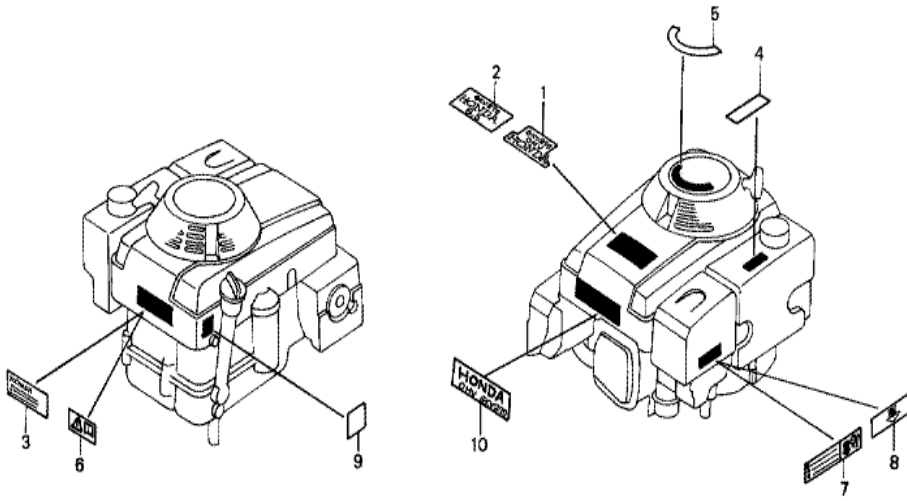


| <u>Ref</u> | <u>Partnumber</u> | <u>Description</u> | <u>GXV270</u> | <u>Serial Numbers</u> |
|------------|-------------------|---------------------------|---------------|-----------------------|
| 002 | 19611-ZE9-801 | PLATE, SIDE | (1) | |
| 006 | 31200-ZE8-801 | MOTOR ASSY., STARTER | (1) | |
| 007 | 31201-ZA1-003 | RING, SNAP | (1) | |
| 008 | 31202-ZA1-003 | COLLAR, CLUTCH STOP | (1) | |
| 009 | 31204-ZA0-003 | CONTACTOR ASSY. | (1) | |
| 010 | 31206-ZA1-003 | ARMATURE COMP. | (1) | |
| 011 | 31207-ZA1-003 | CLUTCH ASSY., OVERRUNNING | (1) | |
| 012 | 31208-ZE8-013 | HOUSING, DRIVE SIDE | 1 | |
| 014 | 31212-ZE8-003 | SPRING | (1) | |
| 015 | 31215-ZA1-013 | BRUSH | (1) | |
| 016 | 31216-ZA1-013 | BUSH, INSULATION | (1) | |
| 017 | 31217-ZA1-013 | BUSH, INSULATION | (1) | |
| 018 | 31218-ZA1-013 | YOKE COMP. | (1) | |
| <u>Ref</u> | <u>Partnumber</u> | <u>Description</u> | <u>GXV270</u> | <u>Serial Numbers</u> |
| 019 | 31219-ZE8-003 | FRAME, STARTER END | (1) | |
| 020 | 31231-ZA1-003 | PLATE COMP., BRUSH HOLDER | (1) | |
| 021 | 31232-ZE8-003 | WIRE, WATER COVER | (1) | |
| 023 | 90101-ZA1-003 | BOLT | (2) | |
| 024 | 90102-ZA1-003 | BOLT, THROUGH | 2 | |
| 025 | 90201-ZA1-003 | NUT | (3) | |
| 026 | 90202-ZA1-003 | NUT | (1) | |
| 027 | 90401-ZA1-003 | WASHER, STEEL PLATE | 2 | 2004195 |
| 028 | 90402-ZA1-003 | WASHER | (2) | |
| 029 | 90403-ZA1-003 | WASHER | (1) | |
| 030 | 91301-ZA1-003 | O-RING | 1 | 2014949 |
| 031 | 91302-ZA1-013 | O-RING | (1) | |
| 032 | 91303-ZA1-003 | O-RING | 2 | 2004195 |
| 033 | 91406-ZE8-000 | CLAMP, CORD | 1 | 1000981 |
| 034 | 94301-10160 | DOWEL PIN, 10X16 | (2) | |
| 035 | 95700-0803500 | BOLT, FLANGE, 8X35 | (2) | |
| 041 | 91301-ZA1-003 | O-RING | 1 | 2004195 |



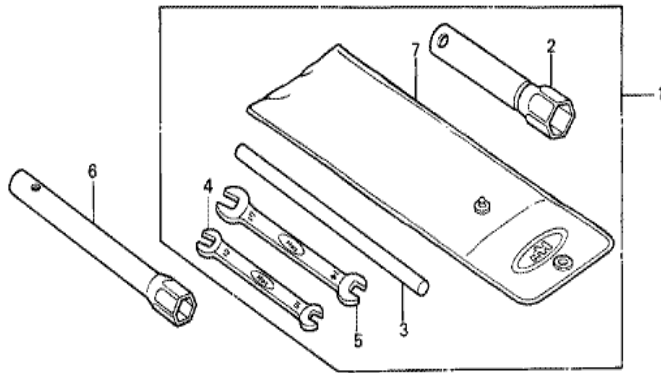
| Ref | Partnumber | Description | GXV270 | Serial Numbers |
|-----|---------------|---------------------------|--------|----------------|
| 002 | 16551-ZE8-000 | ARM, GOVERNOR | 1 | |
| 003 | 16555-ZE8-000 | ROD, GOVERNOR | 1 | |
| 004 | 16556-ZE8-000 | ROD, CHOKE | 1 | |
| 005 | 16557-ZE8-000 | ROD, JOINT | 1 | 1068440 |
| 005 | 16557-ZE8-810 | ROD, JOINT | 1 | 1068441 |
| 006 | 16561-ZE8-000 | SPRING, GOVERNOR | 1 | |
| 007 | 16563-ZE8-000 | SPRING, GOVERNOR PRIMARY | 1 | |
| 008 | 16570-ZE8-010 | CONTROL ASSY. | 1 | 1004622 |
| 008 | 16570-ZE8-820 | CONTROL ASSY. | 1 | 1043319 |
| 009 | 16575-ZE8-000 | LEVER, CHOKE JOINT | 1 | |
| 010 | 16576-891-000 | HOLDER, CABLE | 1 | |
| 011 | 16584-883-300 | SPRING, CONTROL ADJUSTING | 1 | |
| 012 | 16592-732-700 | SPRING, CABLE RETURN | 1 | 1035016 |

| <u>Ref</u> | <u>Partnumber</u> | <u>Description</u> | <u>GXV270</u> | <u>Serial Numbers</u> |
|------------|-------------------|----------------------------|---------------|-----------------------|
| 014 | 35330-ZG1-751 | SWITCH ASSY., ENGINE | 1 | |
| 016 | 36100-ZE8-003 | SWITCH ASSY., ENGINE STOP | 1 | |
| 017 | 38400-ZE8-003 | BUZZER ASSY. | 1 | 2010443 |
| 018 | 38401-ZE8-000 | STAY, BUZZER | 1 | |
| 019 | 38401-ZE8-810 | STAY, BUZZER | 1 | 1043319 |
| 020 | 38402-GC1-000 | SUSPENSION, AUDIBLE PILOT | 1 | 2010443 |
| 021 | 90013-883-000 | BOLT, FLANGE, 6X12 (CT200) | 1 | |
| 022 | 90015-ZE5-010 | BOLT, GOVERNOR ARM | 1 | |
| 023 | 90015-ZE8-000 | BOLT, FLANGE, 6MM | 1 | |
| 024 | 90050-ZE1-000 | SCREW, TAPPING, 5X8 | 1 | 2010443 |
| 025 | 90683-SA0-003 | CLIP, WIRE HARNESS, 25MM | 1 | 1043318 |
| 025 | 90684-ZA0-600 | CLIP, HARNESS | 1 | 1043319 |
| 026 | 92300-050161A | BOLT, RECESSED, 5X16 | 1 | 2008228 |
| 027 | 93500-040140A | SCREW, PAN, 4X14 | 1 | |
| 028 | 93500-050200A | SCREW, PAN, 5X20 | 1 | |
| 029 | 94050-06000 | NUT, FLANGE, 6MM | 1 | |
| 030 | 94101-06800 | WASHER, PLAIN, 6MM | 1 | |
| 031 | 94111-04000 | WASHER, SPRING, 4MM | 1 | |
| 032 | 94111-05000 | WASHER, SPRING, 5MM | 2 | |
| 037 | 92300-050160A | BOLT, RECESSED, 5X16 | 1 | |



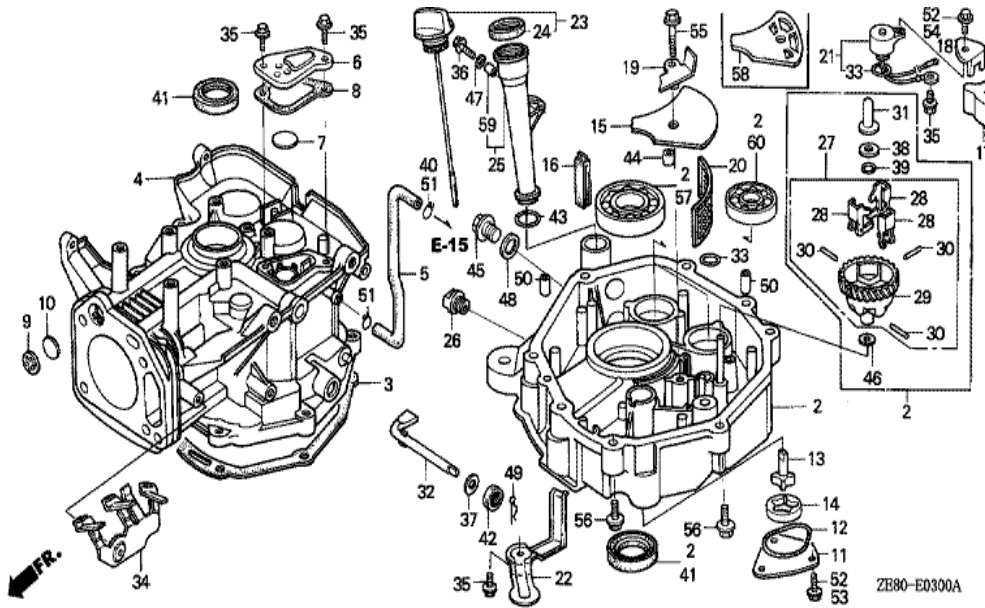
ZE90-E2800A

| Ref | Partnumber | Description | GXV270 | Serial Numbers |
|-----|---------------|----------------------------|--------|----------------|
| 002 | 87101-ZE8-810 | EMBLEM, TOP COVER (E) | 1 | 2008801 |
| 003 | 87105-ZE8-000 | LABEL, EMBLEM (H) | 1 | |
| 005 | 87154-ZE8-000 | MARK, EASY START (ENGLISH) | 1 | 2008800 |
| 007 | 87524-ZE8-000 | MARK, AIR CLEANER CAUTION | 1 | |
| 009 | 87594-ZE8-000 | MARK, OIL CAUTION | 1 | 2008203 |



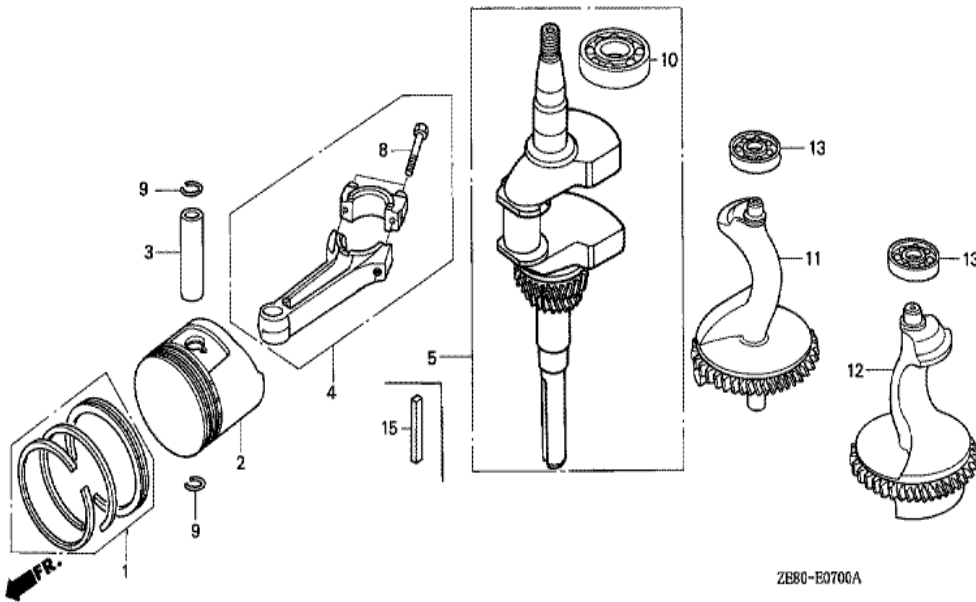
ZE80-132900A

| Ref | Partnumber | Description | GXV270 | Serial Numbers |
|-----|-------------|-------------------|--------|----------------|
| 006 | 99004-21002 | WRENCH, BOX (P21) | 1 | |



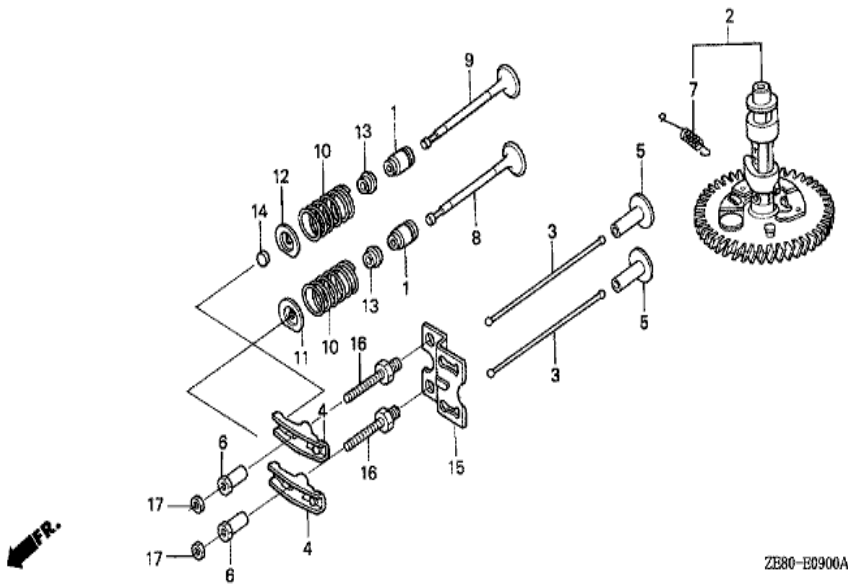
| Ref | Partnumber | Description | GXV270 | Serial Numbers |
|-----|---------------|------------------------|--------|----------------|
| 002 | 113A0-ZE8-810 | PAN ASSY., OIL | 1 | |
| 003 | 11381-ZE9-000 | PACKING, OIL PAN | 1 | 1100008 |
| 004 | 121A0-ZE8-010 | BARREL COMP., CYLINDER | 1 | 1044840 |
| 004 | 121A0-ZE8-020 | BARREL COMP., CYLINDER | 1 | |
| 005 | 12315-ZE8-010 | TUBE, BREATHER | 1 | 1004622 |
| 006 | 12370-ZE8-000 | CAP, BREATHER CHAMBER | 1 | |
| 007 | 12372-ZE2-300 | VALVE, BREATHER | 1 | |
| 008 | 12373-ZE8-000 | PACKING, BREATHER CAP | 1 | |
| 011 | 15130-ZE8-000 | COVER, OIL PUMP | 1 | |
| 012 | 15131-ZE9-003 | O-RING, PUMP COVER | 1 | 1011328 |
| 013 | 15330-ZE8-000 | ROTOR COMP., INNER | 1 | |
| 014 | 15332-891-003 | ROTOR, OIL PUMP OUTER | 1 | |
| 015 | 15334-ZE8-010 | PLATE, OIL FILTER | 1 | 1035001 |

| <u>Ref</u> | <u>Partnumber</u> | <u>Description</u> | <u>GXV270</u> | <u>Serial Numbers</u> |
|------------|-------------------|-------------------------------|---------------|-----------------------|
| 016 | 15335-ZE9-000 | RUBBER, OIL RETURN | 1 | |
| 017 | 15336-ZE8-000 | STOPPER, OIL | 1 | 2010443 |
| 018 | 15337-ZE8-000 | PLATE, OIL STOPPER | 1 | 2010443 |
| 019 | 15420-ZE8-000 | PLATE COMP., SUCTION | 1 | 2010443 |
| 020 | 15421-ZE9-003 | SCREEN, OIL FILTER | 1 | 1044841 |
| 020 | 15421-ZE9-010 | SCREEN, OIL FILTER | 1 | 1035001 1044840 |
| 021 | 35410-ZF5-013 | SWITCH COMP., OIL LEVEL | 1 | 2032125 |
| 022 | 15519-ZE8-000 | PROTECTOR, SWITCH | 1 | |
| 023 | 15600-ZE8-000 | CAP ASSY., OIL FILLER | 1 | |
| 024 | 15625-ZE8-000 | PACKING, OIL FILLER CAP | 1 | |
| 025 | 15630-ZE8-000 | EXTENSION, OIL FILLER | 1 | |
| 027 | 16510-ZE8-000 | GOVERNOR ASSY. | 1 | 2009820 |
| 028 | 16511-ZE8-000 | WEIGHT, GOVERNOR | 3 | |
| 029 | 16512-ZE2-000 | HOLDER, GOVERNOR WEIGHT | 1 | |
| 030 | 16513-ZE2-000 | PIN, GOVERNOR WEIGHT | 3 | |
| 031 | 16531-Z0A-000 | SLIDER, GOVERNOR | 1 | 2031013 |
| 032 | 16541-ZE8-000 | SHAFT, GOVERNOR ARM | 1 | 2010987 |
| 033 | 91302-ZE9-003 | O-RING, 11.8X2.4 | 2 | |
| 034 | 30615-ZE8-000 | STAY COMP., SWITCH CORD CLAMP | 1 | |
| 035 | 90013-883-000 | BOLT, FLANGE, 6X12 (CT200) | 2 | 2010443 |
| 036 | 90014-ZE6-000 | BOLT, FLANGE, 6X35 (CT200) | 1 | |
| 037 | 90406-VM6-000 | WASHER, THRUST, 8.1MM | 1 | |
| 038 | 90473-147-000 | WASHER, 6X16 | 1 | |
| 039 | 90602-896-000 | CLIP, GOVERNOR HOLDER | 1 | |
| 041 | 91201-890-003 | OIL SEAL, 30X46X8 | 2 | |
| 042 | 91201-ZE9-003 | OIL SEAL, 8X14X5 | 1 | 1011328 |
| 043 | 91301-ZE9-003 | O-RING, 22.1X2.2 | 1 | 1011328 |
| 045 | 92800-20000 | BOLT, DRAIN PLUG, 20MM | 1 | |
| 046 | 94101-06800 | WASHER, PLAIN, 6MM | 1 | |
| 047 | 94103-06700 | WASHER, PLAIN, 6MM | 1 | 2009868 |
| 048 | 94109-20000 | WASHER, DRAIN PLUG, 20MM | 1 | |
| 049 | 94251-08000 | PIN, LOCK, 8MM | 1 | 2010987 |
| 050 | 94301-08140 | DOWEL PIN, 8X14 | 2 | |
| <u>Ref</u> | <u>Partnumber</u> | <u>Description</u> | <u>GXV270</u> | <u>Serial Numbers</u> |
| 051 | 95002-70000 | CLIP, TUBE (C11) | 2 | |
| 052 | 95700-0601200 | BOLT, FLANGE, 6X12 | 3 | |
| 054 | 95700-0601600 | BOLT, FLANGE, 6X16 | 1 | 1044841 |
| 055 | 95700-0602500 | BOLT, FLANGE, 6X25 | 1 | 1035001 |
| 056 | 95900-0804008 | BOLT, FLANGE, 8X40 | 7 | |
| 057 | 96100-6206000 | BEARING, RADIAL BALL, 6206 | 1 | |
| 058 | 15334-ZE8-810 | PLATE, OIL FILTER | 1 | |
| 058 | 15334-ZE8-811 | PLATE, OIL FILTER | 1 | 2010443 |
| 060 | 96100-6202000 | BEARING, RADIAL BALL, 6202 | 2 | |



| Ref | Partnumber | Description | GXV270 | Serial Numbers |
|-----|---------------|----------------------------------|--------|----------------|
| 001 | 13010-ZE8-003 | RING SET, PISTON (STD.) (NIPPON) | 1 | 1065100 |
| 001 | 13010-ZE8-004 | RING SET, PISTON (STD.) | 1 | |
| 001 | 13010-ZE8-013 | RING SET, PISTON (STD.) (NIPPON) | 1 | 1065101 |
| 001 | 13010-ZE8-014 | RING SET, PISTON (STD.) | 1 | 1065101 |
| 001 | 13011-ZE8-003 | RING SET, PISTON (0.25) (NIPPON) | (1) | 1065100 |
| 001 | 13011-ZE8-004 | RING SET, PISTON (0.25) | (1) | |
| 001 | 13011-ZE8-013 | RING SET, PISTON (0.25) (NIPPON) | (1) | 1065101 |
| 001 | 13011-ZE8-014 | RING SET, PISTON (0.25) | (1) | 1065101 |
| 001 | 13012-ZE8-003 | RING SET, PISTON (0.50) (NIPPON) | (1) | 1065100 |
| 001 | 13012-ZE8-004 | RING SET, PISTON (0.50) | (1) | |
| 001 | 13012-ZE8-013 | RING SET, PISTON (0.50) (NIPPON) | (1) | 1065101 |
| 001 | 13012-ZE8-014 | RING SET, PISTON (0.50) | (1) | 1065101 |
| 001 | 13013-ZE8-003 | RING SET, PISTON (0.75) (NIPPON) | (1) | 1065100 |

| <u>Ref</u> | <u>Partnumber</u> | <u>Description</u> | <u>GXV270</u> | <u>Serial Numbers</u> |
|------------|-------------------|---|---------------|-----------------------|
| 001 | 13013-ZE8-004 | RING SET, PISTON (0.75) | (1) | |
| 001 | 13013-ZE8-013 | RING SET, PISTON (0.75) (NIPPON) | (1) | 1065101 |
| 001 | 13013-ZE8-014 | RING SET, PISTON (0.75) | (1) | 1065101 |
| 002 | 13101-ZE8-000 | PISTON (STD.) | 1 | 1065100 |
| 002 | 13101-ZE8-010 | PISTON (STD.) | 1 | |
| 002 | 13102-ZE8-000 | PISTON (0.25) | (1) | 2009338 |
| 002 | 13102-ZE8-010 | PISTON (0.25) | (1) | 2009339 |
| 002 | 13103-ZE8-000 | PISTON (0.50) | (1) | 1065100 |
| 002 | 13103-ZE8-010 | PISTON (0.50) | (1) | 2009339 |
| 002 | 13104-ZE8-000 | PISTON (0.75) | (1) | 2009338 |
| 002 | 13104-ZE8-010 | PISTON (0.75) | (1) | |
| 003 | 13111-ZE2-000 | PIN, PISTON | 1 | |
| 004 | 13200-ZE8-000 | ROD ASSY., CONNECTING | 1 | 2028391 |
| 004 | 13200-ZE8-305 | ROD ASSY., CONNECTING (0.25 UNDER SIZE) | (1) | |
| 005 | 13310-ZE8-000 | CRANKSHAFT COMP. | 1 | |
| 008 | 90001-ZE8-000 | BOLT, CONNECTING ROD | 2 | |
| 009 | 90551-ZE1-000 | CLIP, PISTON PIN, 18MM | 2 | 1060086 |
| 009 | 94601-18000 | CLIP, PISTON PIN, 18MM | 2 | 1060085 |
| 010 | 96100-6206000 | BEARING, RADIAL BALL, 6206 | 1 | |
| 011 | 13351-ZE8-000 | WEIGHT A, BALANCER | 1 | |
| 012 | 13356-ZE8-000 | WEIGHT B, BALANCER | 1 | |
| 013 | 96100-6202000 | BEARING, RADIAL BALL, 6202 | 2 | |



ZB80-B0900A

| <u>Ref</u> | <u>Partnumber</u> | <u>Description</u> | <u>GXV270</u> | <u>Serial Numbers</u> |
|------------|-------------------|----------------------------|---------------|-----------------------|
| 001 | 12209-ZE8-003 | SEAL, VALVE STEM | 2 | |
| 002 | 14100-ZE8-010 | CAMSHAFT ASSY. | 1 | 1035001 |
| 003 | 14410-ZE2-003 | ROD, PUSH | 2 | 1100711 |
| 004 | 14431-ZE2-000 | ARM, VALVE ROCKER | 2 | |
| 005 | 14441-ZE2-000 | LIFTER, VALVE | 2 | |
| 006 | 14451-ZE1-003 | PIVOT, ROCKER ARM | 2 | 2007800 |
| 007 | 14568-ZE1-000 | SPRING, WEIGHT RETURN | 1 | |
| 008 | 14711-ZE2-000 | VALVE, IN. | 1 | |
| 009 | 14721-ZE2-000 | VALVE, EX. | 1 | |
| 010 | 14751-ZE2-003 | SPRING, VALVE | 2 | |
| 011 | 14771-ZE2-000 | RETAINER, IN. VALVE SPRING | 1 | |
| 012 | 14773-ZE2-000 | RETAINER, EX. VALVE SPRING | 1 | |
| 013 | 14775-ZE2-010 | SEAT, VALVE SPRING | 2 | |
| <u>Ref</u> | <u>Partnumber</u> | <u>Description</u> | <u>GXV270</u> | <u>Serial Numbers</u> |
| 014 | 14781-ZE2-000 | ROTATOR, VALVE | 1 | |
| 015 | 14791-ZE8-000 | GUIDE, PUSH ROD | 1 | 1055461 |
| 015 | 14791-ZE8-010 | GUIDE, PUSH ROD | 1 | 1055462 |
| 016 | 90012-ZE0-010 | BOLT, PIVOT, 8MM | 2 | |
| 017 | 90206-ZE1-000 | NUT, PIVOT ADJUSTING | 2 | |



HENG-X0003

| <u>Ref</u> | <u>Partnumber</u> | <u>Description</u> | <u>GXV270</u> | <u>Serial Numbers</u> |
|------------|-------------------|--------------------|---------------|-----------------------|
| 001 | 061A1-ZE8-020 | GASKET KIT | 1 | |