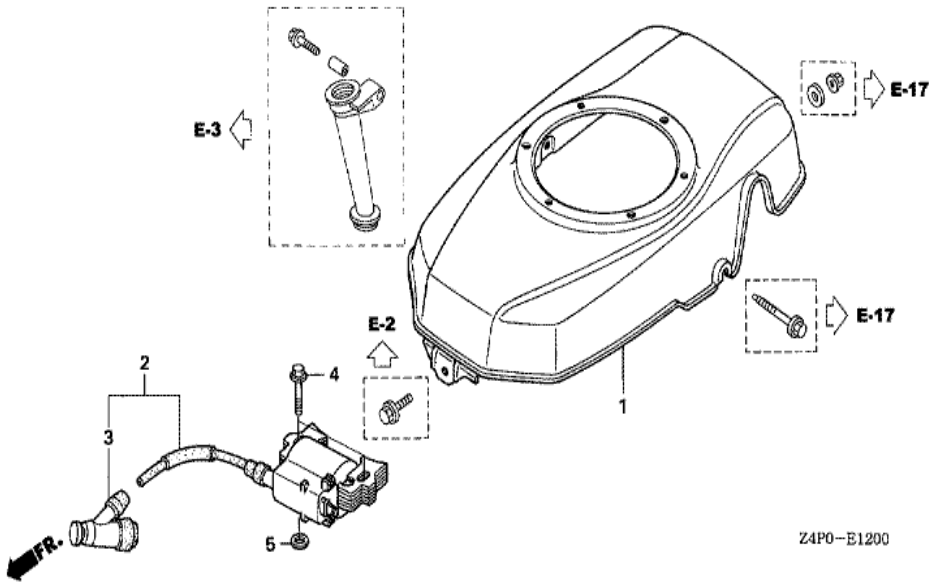
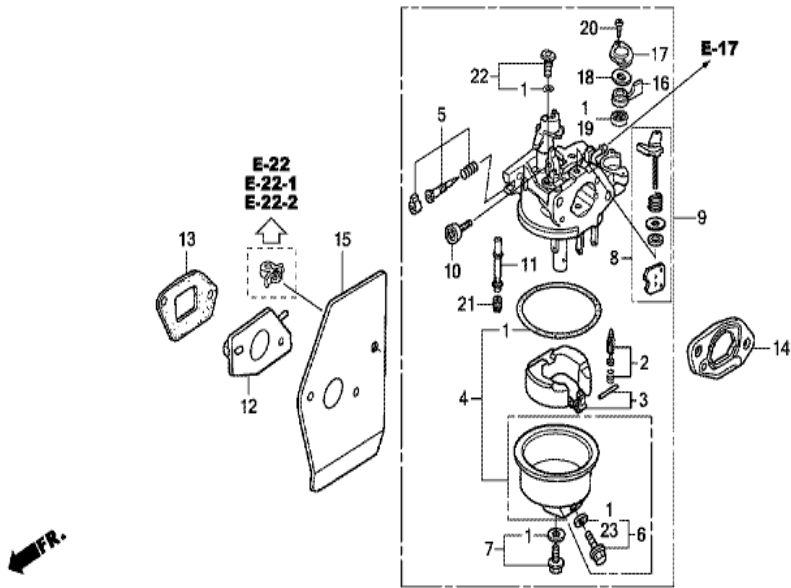


| <u>Ref</u> | <u>Partnumber</u> | <u>Description</u>                 | <u>GXV160UH2</u> | <u>Serial Numbers</u> |
|------------|-------------------|------------------------------------|------------------|-----------------------|
| 001        | 28400-Z1V-003ZB   | STARTER ASSY., RECOIL *R280 *      | 1                |                       |
| 001        | 28400-Z1V-003ZB   | STARTER ASSY., RECOIL *R280 *      | 1                |                       |
| 002        | 28410-Z1V-003ZA   | CASE COMP., RECOIL STARTER *R280 * | 1                |                       |
| 003        | 28420-Z1V-003     | REEL, RECOIL STARTER (BLACK)       | 1                |                       |
| 004        | 28422-ZH8-801     | RATCHET, STARTER                   | 2                |                       |
| 005        | 28431-ZH8-801     | PLATE, FRICTION                    | 1                |                       |
| 006        | 28433-ZH8-801     | GUIDE, RATCHET                     | 1                |                       |
| 007        | 28441-ZH8-801     | SPRING, FRICTION                   | 1                |                       |
| 008        | 28442-ZH8-003     | SPRING, RECOIL STARTER             | 1                |                       |
| 009        | 28443-ZH8-801     | SPRING, RETURN                     | 2                |                       |
| 011        | 28461-ZH8-003     | GRIP, STARTER                      | 1                |                       |
| 012        | 28462-ZH8-003     | ROPE, RECOIL STARTER               | 1                | 1050545               |
| 012        | 28462-ZH8-003     | ROPE, RECOIL STARTER               | 1                |                       |
| <u>Ref</u> | <u>Partnumber</u> | <u>Description</u>                 | <u>GXV160UH2</u> | <u>Serial Numbers</u> |
| 013        | 90003-ZH8-801     | SCREW, SETTING                     | 1                |                       |
| 014        | 95701-0600800     | BOLT, FLANGE, 6X8                  | 3                |                       |



Z4P0-E1200

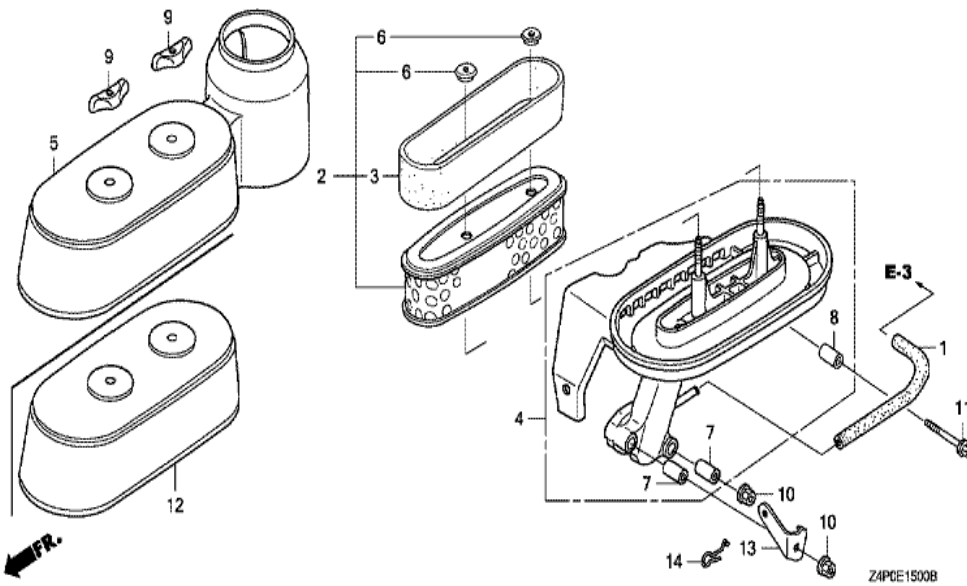
| Ref | Partnumber      | Description                 | GXV160UH2 | Serial Numbers |
|-----|-----------------|-----------------------------|-----------|----------------|
| 001 | 19610-Z1V-000ZA | COVER COMP., FAN *R280 *    | 1         |                |
| 002 | 30500-Z1V-013   | COIL ASSY., IGNITION        | 1         |                |
| 002 | 30500-Z1V-013   | COIL ASSY., IGNITION        | 1         |                |
| 003 | 30700-Z1V-003   | CAP ASSY., NOISE SUPPRESSOR | 1         |                |
| 004 | 90015-883-000   | BOLT, FLANGE, 6X28 (CT200)  | 2         |                |
| 005 | 90581-Z1V-000   | WASHER, PLAIN, 6MM          | 2         |                |



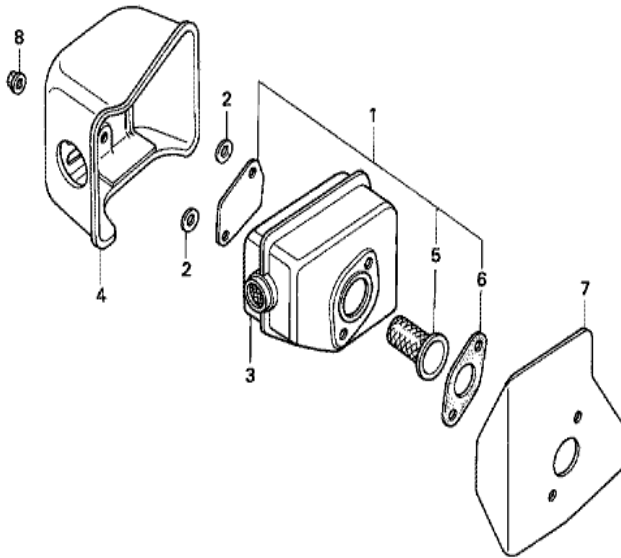
Z4PDE1400C

| Ref | Partnumber    | Description        | GXV160UH2 | Serial Numbers |
|-----|---------------|--------------------|-----------|----------------|
| 001 | 16010-ZE0-025 | GASKET SET         | 1         |                |
| 002 | 16011-ZE0-005 | VALVE SET, FLOAT   | 1         |                |
| 003 | 16013-Z0S-B01 | FLOAT SET          | 1         | BE66N A        |
| 003 | 16013-ZE0-005 | FLOAT SET          | 1         | BE66M A        |
| 003 | 16013-ZE0-005 | FLOAT SET          | 1         | BE66J A        |
| 004 | 16015-ZE0-831 | CHAMBER SET, FLOAT | 1         |                |
| 005 | 16016-ZH7-W01 | SCREW SET, PILOT   | 1         |                |
| 006 | 16024-ZE1-811 | SCREW SET, DRAIN   | 1         |                |
| 007 | 16028-ZE0-005 | SCREW SET          | 1         |                |
| 008 | 16045-Z1V-G01 | CHOKE SET          | 1         | BE66N A        |
| 008 | 16045-Z1V-G01 | CHOKE SET          | 1         | BE66N A        |
| 008 | 16045-ZE7-005 | CHOKE SET          | 1         | BE66M A        |
| 008 | 16045-ZE7-005 | CHOKE SET          | 1         | BE66J A        |

| <u>Ref</u> | <u>Partnumber</u> | <u>Description</u>         | <u>GXV160UH2</u> | <u>Serial Numbers</u> |
|------------|-------------------|----------------------------|------------------|-----------------------|
| 009        | 16100-Z1V-003     | CARBURETOR ASSY. (BE66J A) | 1                | 1001679               |
| 009        | 16100-Z1V-801     | CARBURETOR ASSY. (BE66N A) | 1                | 1274133               |
| 009        | 16100-Z1V-801     | CARBURETOR ASSY. (BE66N A) | 1                | 1001680 1274133       |
| 009        | 16100-Z1V-801     | CARBURETOR ASSY. (BE66N A) | 1                | 1001680 1274133       |
| 009        | 16100-Z4P-801     | CARBURETOR ASSY. (BEA2C A) | 1                | 1274134               |
| 009        | 16100-Z4P-801     | CARBURETOR ASSY. (BEA2C A) | 1                | 1274134               |
| 010        | 16124-ZE0-005     | SCREW, THROTTLE STOP       | 1                |                       |
| 011        | 16166-Z1V-003     | NOZZLE, MAIN               | 1                | BE66J A               |
| 011        | 16166-Z1V-801     | NOZZLE, MAIN               | 1                |                       |
| 011        | 16166-Z1V-801     | NOZZLE, MAIN               | 1                | BE66N A               |
| 012        | 16211-ZE7-000     | INSULATOR, CARBURETOR      | 1                |                       |
| 013        | 16212-ZE7-M10     | PACKING, INSULATOR         | 1                |                       |
| 013        | 16212-ZE7-M10     | PACKING, INSULATOR         | 1                |                       |
| 014        | 16220-ZE6-010     | SPACER COMP., CARBURETOR   | 1                |                       |
| 015        | 16221-ZE7-M11     | PACKING, CARBURETOR        | 1                |                       |
| 015        | 16221-ZE7-M11     | PACKING, CARBURETOR        | 1                |                       |
| 016        | 16953-ZE1-812     | LEVER, COCK                | 1                |                       |
| 017        | 16954-ZE1-812     | PLATE, LEVER SETTING       | 1                |                       |
| 018        | 16956-ZE1-811     | SPRING, COCK LEVER         | 1                |                       |
| 019        | 16957-ZE1-812     | PACKING, FUEL COCK         | 1                |                       |
| 020        | 93500-030061H     | SCREW, PAN, 3X6            | 2                |                       |
| 021        | 99101-ZH80600     | JET, MAIN, #60             | (1)              | BE66J A               |
| 021        | 99101-ZH80620     | JET, MAIN, #62             | (1)              |                       |
| 021        | 99101-ZH80620     | JET, MAIN, #62             | (1)              |                       |
| 021        | 99101-ZH80650     | JET, MAIN, #65             | 1                | BE66J A               |
| 021        | 99101-ZH80650     | JET, MAIN, #65             | (1)              | BE66N A               |
| 021        | 99101-ZH80650     | JET, MAIN, #65             | 1                | BE66J A               |
| 021        | 99101-ZH80650     | JET, MAIN, #65             | (1)              | BE66N A               |
| 021        | 99101-ZH80650     | JET, MAIN, #65             | (1)              |                       |
| 021        | 99101-ZH80680     | JET, MAIN, #68             | 1                | BE66N A               |
| 021        | 99101-ZH80680     | JET, MAIN, #68             | 1                | BE66N A               |
| 022        | 99204-ZE00350     | JET SET, PILOT, #35        | 1                |                       |

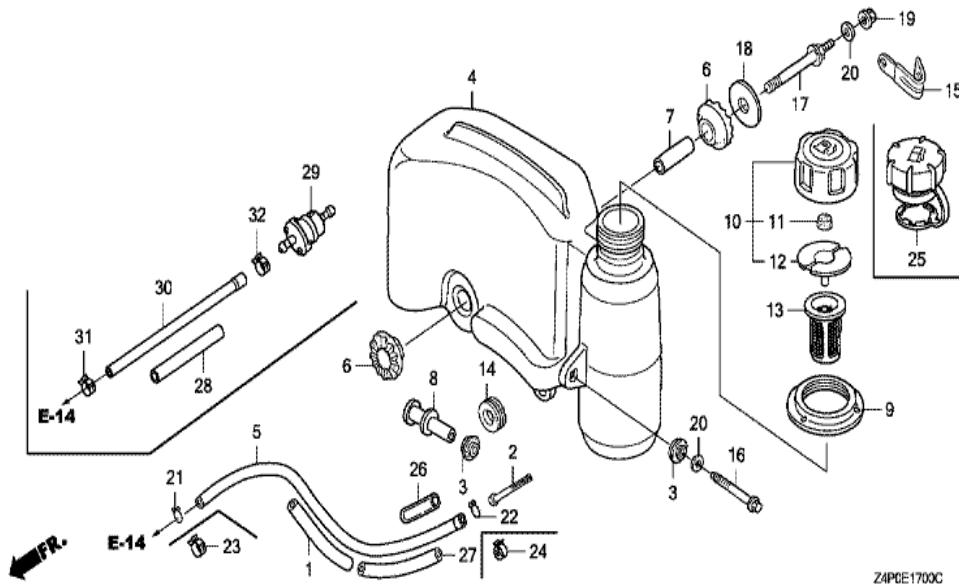


| Ref | Partnumber    | Description             | GXV160UH2 | Serial Numbers |
|-----|---------------|-------------------------|-----------|----------------|
| 001 | 15721-ZE7-000 | TUBE, BREATHER          | 1         |                |
| 002 | 17210-Z1V-003 | ELEMENT, AIR CLEANER    | 1         |                |
| 003 | 17218-888-003 | FILTER, OUTER           | 1         |                |
| 004 | 17220-Z1V-000 | CASE COMP., AIR CLEANER | 1         |                |
| 005 | 17231-Z1V-000 | COVER, AIR CLEANER      | 1         | 1036455        |
| 006 | 17232-891-000 | GROMMET, AIR CLEANER    | 2         |                |
| 007 | 17238-ZE7-710 | COLLAR, AIR CLEANER     | 2         |                |
| 008 | 17239-ZE6-300 | COLLAR B, AIR CLEANER   | 1         |                |
| 009 | 90300-Z1V-000 | NUT, AIR CLEANER        | 2         |                |
| 010 | 94050-06000   | NUT, FLANGE, 6MM        | 2         |                |
| 011 | 95701-0603500 | BOLT, FLANGE, 6X35      | 1         |                |
| 012 | 17231-Z1V-G01 | COVER, AIR CLEANER      | 1         |                |
| 012 | 17231-Z1V-G01 | COVER, AIR CLEANER      | 1         | 1036456        |



Z4P0-E1600

| Ref | Partnumber    | Description              | GXV160UH2 | Serial Numbers |
|-----|---------------|--------------------------|-----------|----------------|
| 001 | 06180-ZE6-820 | ARRESTER KIT, SPARK      | (1)       |                |
| 001 | 06180-ZE6-820 | ARRESTER KIT, SPARK      | (1)       |                |
| 002 | 18292-ZE7-M10 | PACKING, PROTECTOR       | 2         |                |
| 003 | 18310-Z1V-000 | MUFFLER COMP.            | 1         |                |
| 004 | 18320-Z1V-000 | PROTECTOR COMP., MUFFLER | 1         |                |
| 005 | 18355-888-810 | ARRESTER, SPARK          | (1)       |                |
| 005 | 18355-888-810 | ARRESTER, SPARK          | (1)       |                |
| 006 | 18381-ZE6-820 | GASKET, MUFFLER          | (1)       |                |
| 006 | 18381-ZE6-820 | GASKET, MUFFLER          | (1)       |                |
| 007 | 18381-Z1V-000 | GASKET, MUFFLER          | 1         |                |
| 008 | 90343-ZE6-000 | NUT, SELF-LOCK, 6MM      | 2         |                |

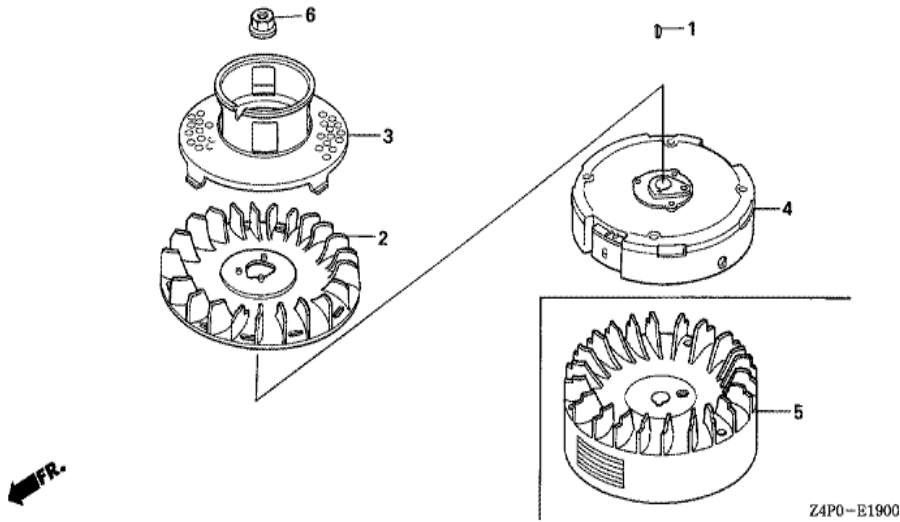


Z4PGE1700C

| Ref | Partnumber    | Description               | GXV160UH2 | Serial Numbers  |
|-----|---------------|---------------------------|-----------|-----------------|
| 001 | 16854-ZH8-000 | RUBBER, SUPPORTER (107MM) | 1         |                 |
| 001 | 16854-ZH8-000 | RUBBER, SUPPORTER (107MM) | 1         |                 |
| 002 | 16952-Z1V-000 | STRAINER, FUEL            | 1         |                 |
| 003 | 17506-ZE7-000 | RUBBER, TANK SETTING      | 2         |                 |
| 004 | 17510-Z1V-010 | TANK COMP., FUEL          | 1         | 1036455         |
| 004 | 17510-Z4P-000 | TANK COMP., FUEL          | 1         |                 |
| 004 | 17510-Z4P-800 | TANK COMP., FUEL          | 1         | 1036456 1239370 |
| 004 | 17510-Z4P-800 | TANK COMP., FUEL          | 1         | 1036456 1239370 |
| 004 | 17510-Z4P-810 | TANK COMP., FUEL          | 1         | 1239371         |
| 004 | 17510-Z4P-810 | TANK COMP., FUEL          | 1         | 1239371         |
| 005 | 17512-Z4P-003 | TUBE, FUEL (FKM)          | 1         | 1011284 1038739 |
| 005 | 17512-Z4P-003 | TUBE, FUEL (FKM)          | 1         | 1011284 1038739 |
| 005 | 17512-Z4P-013 | TUBE, FUEL (FKM)          | 1         | 1038740 1123369 |

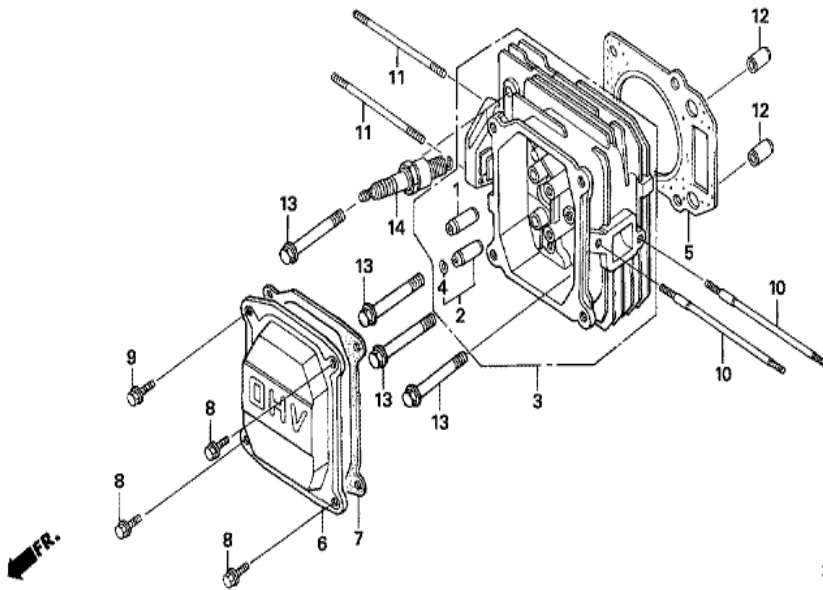
| <u>Ref</u> | <u>Partnumber</u> | <u>Description</u>                     | <u>GXV160UH2</u> | <u>Serial Numbers</u> |
|------------|-------------------|--|------------------|-----------------------|
| 005        | 17512-Z4P-023     | TUBE, FUEL (FKM)                       | 1                | 1274133               |
| 005        | 17512-Z4P-023     | TUBE, FUEL (FKM)                       | 1                | 1123370 1274133       |
| 005        | 17512-Z4P-023     | TUBE, FUEL (FKM)                       | 1                | 1123370 1274133       |
| 005        | 17512-Z4P-811     | TUBE, FUEL (FKM)                       | 1                | 1274134               |
| 005        | 17512-Z4P-811     | TUBE, FUEL (FKM)                       | 1                | 1274134               |
| 005        | 17512-ZE7-000     | TUBE, FUEL                             | 1                | 1011283               |
| 005        | 17512-ZE7-000     | TUBE, FUEL                             | 1                | 1011283               |
| 005        | 17512-ZE7-000     | TUBE, FUEL                             | 1                | 1011283               |
| 006        | 17516-896-700     | RUBBER B, TANK MOUNTING                | 2                |                       |
| 007        | 17518-Z1V-000     | COLLAR, TANK SET                       | 1                |                       |
| 008        | 17519-Z1V-000     | COLLAR COMP., TANK                     | 1                |                       |
| 009        | 17532-Z1V-000     | RUBBER, TANK MOUNTING                  | 1                | 1036455               |
| 010        | 17620-Z1V-000     | CAP ASSY., FUEL TANK                   | 1                | 1036455               |
| 011        | 17622-888-010     | SPONGE, FUEL CAP BREATHER              | 1                | 1036455               |
| 012        | 17624-ZE7-000     | PACKING, FUEL CAP                      | 1                | 1036455               |
| 013        | 17636-Z1V-010     | GAUGE, FUEL LEVEL                      | 1                |                       |
| 014        | 80103-MG2-000     | CUSHION, RR. FENDER                    | 1                |                       |
| 016        | 90014-Z1V-000     | BOLT, FLANGE, 6X47 (CT200)             | 1                |                       |
| 017        | 90016-Z1V-000     | BOLT, TANK STAY                        | 1                |                       |
| 018        | 90455-896-700     | WASHER, TANK MOUNTING                  | 1                |                       |
| 019        | 94050-06000       | NUT, FLANGE, 6MM                       | 1                |                       |
| 020        | 94103-06000       | WASHER, PLAIN, 6MM                     | 2                |                       |
| 021        | 95002-02080       | CLIP, TUBE (B8)                        | 1                | 1011283               |
| 022        | 95002-70000       | CLIP, TUBE (C11)                       | 1                | 1011283               |
| 023        | 95002-4080008     | CLAMP, TUBE (D8)                       | 1                |                       |
| 023        | 95002-4080008     | CLAMP, TUBE (D8)                       | 1                | 1011284               |
| 024        | 95002-4105008     | CLAMP, TUBE (D10.5)                    | 1                |                       |
| 024        | 95002-4105008     | CLAMP, TUBE (D10.5)                    | 1                | 1011284               |
| 025        | 17620-Z0J-800     | CAP ASSY., FUEL TANK                   | 1                |                       |
| 025        | 17620-Z0J-800     | CAP ASSY., FUEL TANK                   | 1                | 1036456               |
| 026        | 95003-2500320     | TUBE, VINYL, 9X11X30 (95003-25001-10M) | 1                |                       |
| 026        | 95003-2500320     | TUBE, VINYL, 9X11X30 (95003-25001-10M) | 1                | 1038740               |
| 027        | 16854-ZH8-000     | RUBBER, SUPPORTER (107MM)              | 1                | 1038739               |





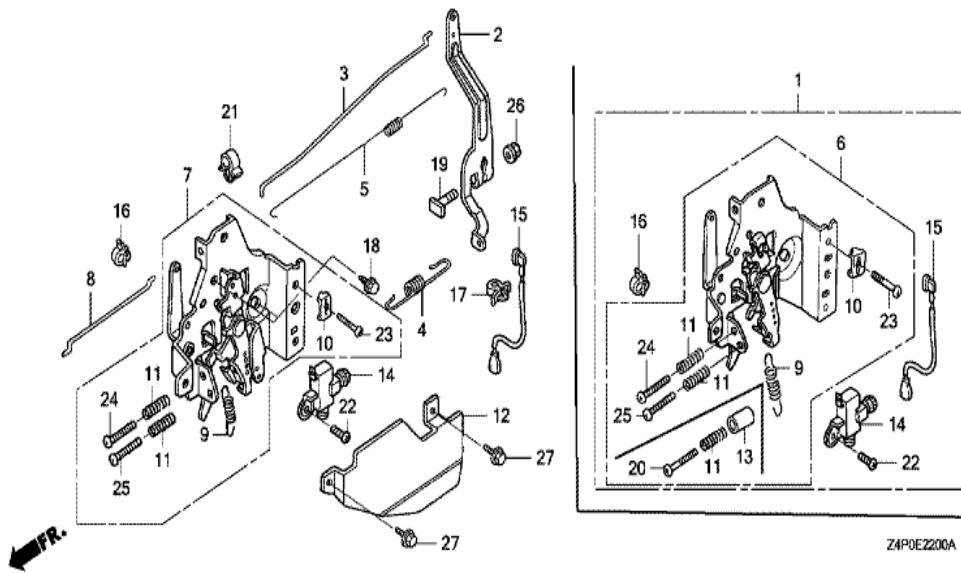
Z4P0-E1900

| Ref | Partnumber    | Description                  | GXV160UH2 | Serial Numbers |
|-----|---------------|------------------------------|-----------|----------------|
| 001 | 13331-357-000 | KEY, SPECIAL WOODRUFF, 25X18 | 1         |                |
| 002 | 19511-Z1T-000 | FAN, COOLING                 | 1         |                |
| 003 | 28450-Z1V-000 | PULLEY COMP., STARTER        | 1         |                |
| 004 | 31110-Z1V-003 | FLYWHEEL COMP.               | 1         |                |
| 006 | 90201-Z1T-000 | NUT, SPECIAL, 14MM           | 1         |                |

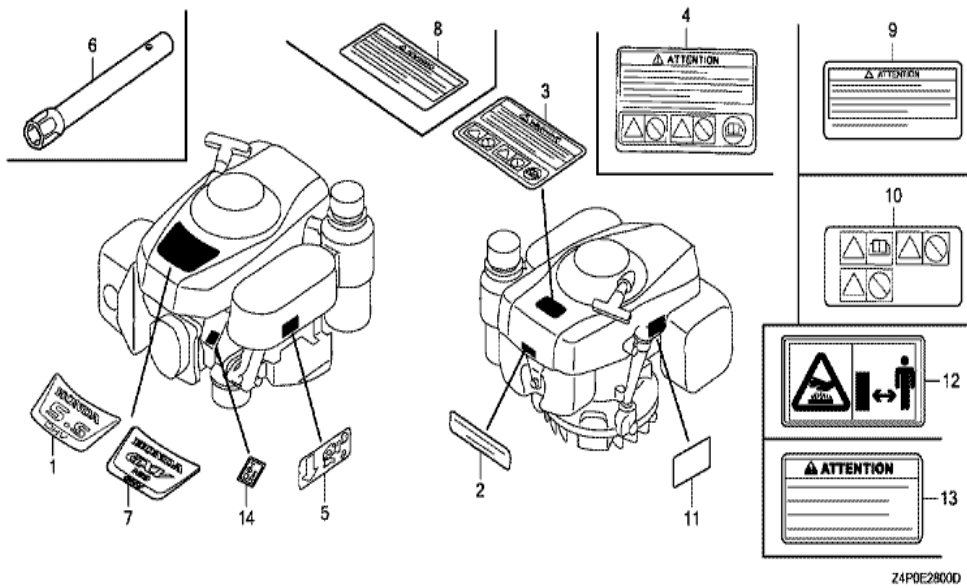


Z4P0-E0200

| Ref        | Partnumber        | Description                              | GXV160UH2        | Serial Numbers        |
|------------|-------------------|--|------------------|-----------------------|
| 001        | 12204-ZE1-306     | GUIDE, IN. VALVE (OS)                    | 1                |                       |
| 002        | 12205-ZE1-315     | GUIDE, EX. VALVE (OS)                    | 1                |                       |
| 003        | 12200-ZE7-405     | HEAD COMP., CYLINDER                     | 1                |                       |
| 003        | 12200-ZE7-405     | HEAD COMP., CYLINDER                     | 1                |                       |
| 004        | 12216-ZE5-300     | CLIP, VALVE GUIDE                        | 1                |                       |
| 005        | 12251-Z1V-003     | GASKET, CYLINDER HEAD (GUANGZHOU LEAKLES | 1                | 1116223               |
| 005        | 12251-ZE7-000     | GASKET, CYLINDER HEAD                    | 1                | 1116222               |
| 005        | 12251-ZE7-000     | GASKET, CYLINDER HEAD                    | 1                | 1116222               |
| 005        | 12251-ZE7-000     | GASKET, CYLINDER HEAD                    | 1                | 1116222               |
| 006        | 12311-ZG9-800     | COVER, HEAD                              | 1                |                       |
| 007        | 12391-ZE7-M10     | PACKING, HEAD COVER                      | 1                |                       |
| 007        | 12391-ZE7-M10     | PACKING, HEAD COVER                      | 1                |                       |
| 008        | 90013-883-000     | BOLT, FLANGE, 6X12 (CT200)               | 3                | 1020657               |
| <u>Ref</u> | <u>Partnumber</u> | <u>Description</u>                       | <u>GXV160UH2</u> | <u>Serial Numbers</u> |
| 008        | 90014-952-000     | BOLT, FLANGE, 6X14 (CT200)               | 3                |                       |
| 008        | 90014-952-000     | BOLT, FLANGE, 6X14 (CT200)               | 3                | 1020658               |
| 009        | 90014-952-000     | BOLT, FLANGE, 6X14 (CT200)               | 1                |                       |
| 010        | 90043-ZE6-000     | BOLT, STUD, 6X109                        | 2                |                       |
| 011        | 90048-ZC3-000     | BOLT, STUD, 6X85                         | 2                |                       |
| 012        | 94301-10160       | DOWEL PIN, 10X16                         | 2                |                       |
| 013        | 95701-0805000     | BOLT, FLANGE, 8X50                       | 4                |                       |
| 014        | 98079-54846       | PLUG, SPARK (BPR4ES) (NGK)               | (1)              |                       |
| 014        | 98079-54855       | PLUG, SPARK (W14EPR-U) (DENSO)           | (1)              |                       |
| 014        | 98079-54855       | PLUG, SPARK (W14EPR-U) (DENSO)           | (1)              |                       |
| 014        | 98079-55846       | PLUG, SPARK (BPR5ES) (NGK)               | 1                |                       |
| 014        | 98079-55846       | PLUG, SPARK (BPR5ES) (NGK)               | 1                |                       |
| 014        | 98079-55855       | PLUG, SPARK (W16EPR-U) (DENSO)           | 1                |                       |
| 014        | 98079-55855       | PLUG, SPARK (W16EPR-U) (DENSO)           | 1                |                       |
| 014        | 98079-56846       | PLUG, SPARK (BPR6ES) (NGK)               | (1)              |                       |
| 014        | 98079-56846       | PLUG, SPARK (BPR6ES) (NGK)               | (1)              |                       |
| 014        | 98079-56855       | PLUG, SPARK (W20EPR-U) (DENSO)           | (1)              |                       |
| 014        | 98079-56855       | PLUG, SPARK (W20EPR-U) (DENSO)           | (1)              |                       |

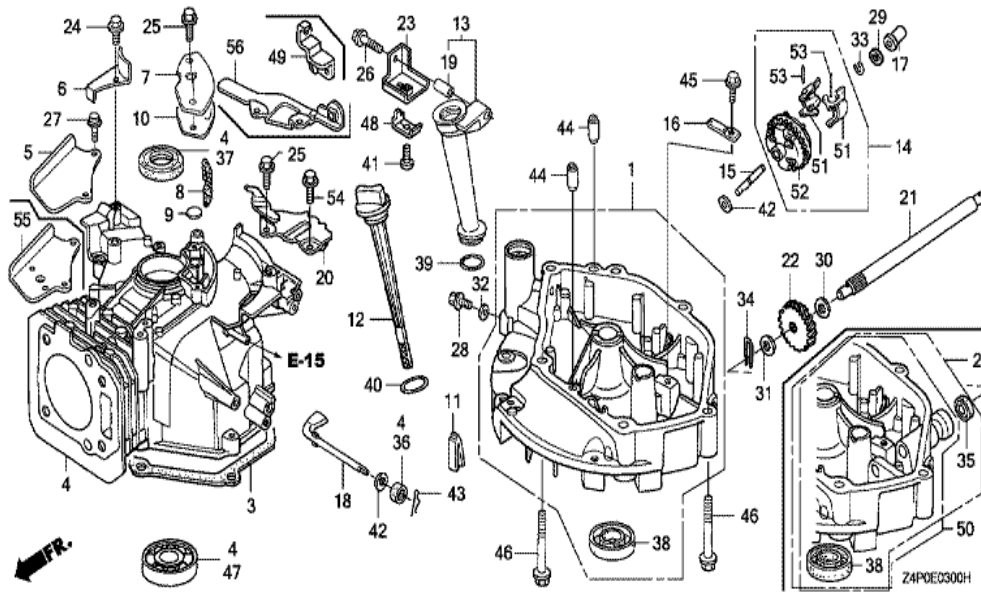


| <u>Ref</u> | <u>Partnumber</u> | <u>Description</u>         | <u>GXV160UH2</u> | <u>Serial Numbers</u> |
|------------|-------------------|----------------------------|------------------|-----------------------|
| 001        | 16500-ZE7-W31     | CONTROL ASSY.              | 1                |                       |
| 002        | 16551-ZE7-000     | ARM, GOVERNOR              | 1                |                       |
| 003        | 16555-ZE7-000     | ROD, GOVERNOR              | 1                |                       |
| 004        | 16561-ZE7-020     | SPRING, GOVERNOR           | 1                |                       |
| 005        | 16562-ZE6-000     | SPRING, THROTTLE RETURN    | 1                |                       |
| 006        | 16570-ZE7-W10     | CONTROL COMP.              | 1                |                       |
| 006        | 16570-ZE7-W10     | CONTROL COMP.              | 1                |                       |
| 008        | 16573-ZE7-000     | ROD, CHOKE                 | 1                |                       |
| 009        | 16576-ZE7-300     | SPRING, LEVER              | 1                |                       |
| 010        | 16576-891-000     | HOLDER, CABLE              | 1                |                       |
| 011        | 16584-883-300     | SPRING, CONTROL ADJUSTING  | 2                |                       |
| 012        | 16585-ZE7-000     | PROTECTOR, CONTROL         | 1                |                       |
| 013        | 16599-ZG1-M10     | COLLAR, STOPPER            | 1                |                       |
| <u>Ref</u> | <u>Partnumber</u> | <u>Description</u>         | <u>GXV160UH2</u> | <u>Serial Numbers</u> |
| 014        | 36100-ZE7-013     | SWITCH ASSY., ENGINE STOP  | 1                |                       |
| 015        | 36101-ZE7-020     | CORD, STOP SWITCH          | 1                |                       |
| 016        | 36103-ZE1-000     | HOLDER, STOP SWITCH CORD   | 1                |                       |
| 017        | 46392-SC2-003     | CLAMP, BRAKE PIPE (GRAY)   | 1                |                       |
| 018        | 90013-883-000     | BOLT, FLANGE, 6X12 (CT200) | 2                |                       |
| 019        | 90015-ZE5-010     | BOLT, GOVERNOR ARM         | 1                |                       |
| 020        | 90016-ZE7-W00     | SCREW, RECESSED, 5X28      | 1                |                       |
| 021        | 90659-680-013     | CLIP, WIRE HARNESS         | 1                |                       |
| 022        | 93500-040080A     | SCREW, PAN, 4X8            | 1                |                       |
| 023        | 93500-050160A     | SCREW, PAN, 5X16           | 1                |                       |
| 024        | 93500-050200A     | SCREW, PAN, 5X20           | 1                |                       |
| 026        | 94050-06000       | NUT, FLANGE, 6MM           | 1                |                       |
| 027        | 95701-0601000     | BOLT, FLANGE, 6X10         | 2                |                       |



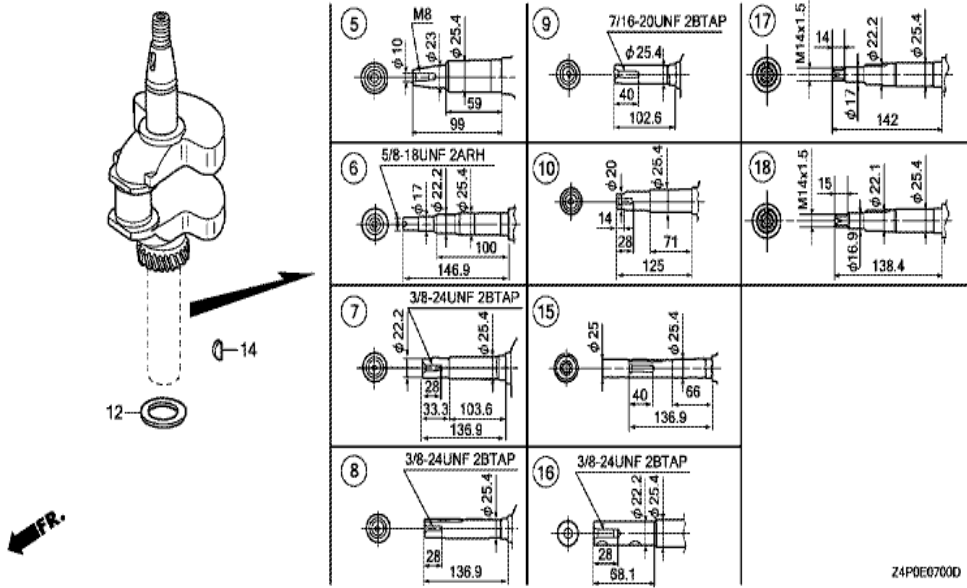
Z4PDE2800D

| Ref        | Partnumber        | Description                              | GXV160UH2        | Serial Numbers        |
|------------|-------------------|--|------------------|-----------------------|
| 001        | 87101-Z1V-000     | MARK, EMBLEM (GXV160 5.5)                | 1                | 1036455               |
| 002        | 87504-Z1V-000     | MARK, MANUFACTURER                       | 1                |                       |
| 003        | 87516-Z4N-000     | MARK, OPERATOR CAUTION (ENGLISH) (MADE I | 1                | 1133623               |
| 003        | 87516-Z4N-810     | MARK, OPERATOR CAUTION (PICTOGRAPH) (MAD | (1)              | 1133623               |
| 003        | 87516-Z4N-810     | MARK, OPERATOR CAUTION (PICTOGRAPH) (MAD | (1)              | 1133623               |
| 004        | 87516-Z4N-800     | MARK, OPERATOR CAUTION (FRENCH) (MADE IN | 1                | 1133623               |
| 005        | 87524-Z1V-000     | MARK, FUEL COCK CAUTION                  | 1                |                       |
| 007        | 87101-Z1V-010     | MARK, EMBLEM (GXV160)                    | 1                | 1036456 1046647       |
| 007        | 87101-Z1V-020     | MARK, EMBLEM (GXV160)                    | 1                |                       |
| 007        | 87101-Z1V-020     | MARK, EMBLEM (GXV160)                    | 1                | 1046648               |
| 008        | 87516-Z4N-010     | MARK, OPERATOR CAUTION (ENGLISH)         | 1                |                       |
| 008        | 87516-Z4N-010     | MARK, OPERATOR CAUTION (ENGLISH)         | 1                | 1133624               |
| 009        | 87516-Z4N-801     | MARK, OPERATOR CAUTION (FRENCH)          | 1                | 1133624               |
| <u>Ref</u> | <u>Partnumber</u> | <u>Description</u>                       | <u>GXV160UH2</u> | <u>Serial Numbers</u> |
| 010        | 87519-Z4N-000     | MARK, OPERATOR CAUTION (PICTOGRAPH)      | 1                |                       |
| 010        | 87519-Z4N-000     | MARK, OPERATOR CAUTION (PICTOGRAPH)      | 1                | 1133624               |
| 011        | 87539-Z0J-000     | MARK, EX. CAUTION (ENGLISH)              | 1                |                       |
| 011        | 87539-Z0J-000     | MARK, EX. CAUTION (ENGLISH)              | 1                | 1133624               |
| 011        | 87539-Z0J-800     | MARK, EX. CAUTION (PICTOGRAPH)           | 1                | 1133624               |
| 011        | 87539-Z0J-800     | MARK, EX. CAUTION (PICTOGRAPH)           | 1                | 1133624               |
| 011        | 87539-Z0J-810     | MARK, EX. CAUTION (FRENCH)               | 1                | 1133624               |
| 011        | 87539-Z0J-810     | MARK, EX. CAUTION (FRENCH)               | 1                | 1133624               |



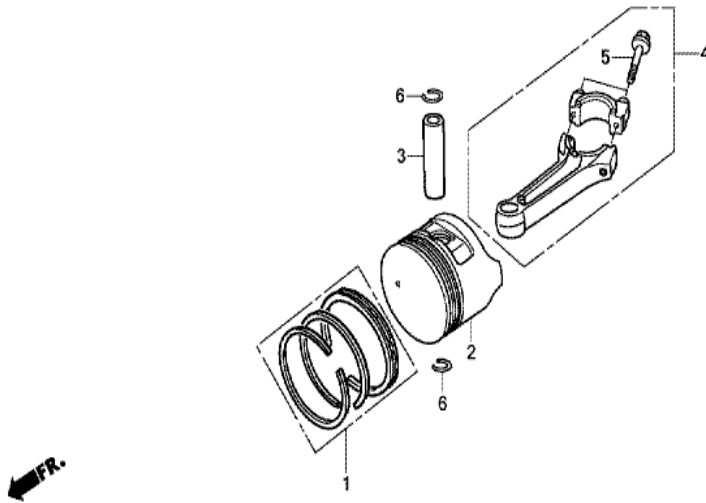
| Ref | Partnumber    | Description             | GXV160UH2 | Serial Numbers |
|-----|---------------|-------------------------|-----------|----------------|
| 002 | 11300-Z1V-407 | PAN ASSY., OIL          | 1         |                |
| 002 | 11300-Z1V-407 | PAN ASSY., OIL          | 1         |                |
| 003 | 11381-ZE7-M10 | PACKING, OIL PAN        | 1         |                |
| 003 | 11381-ZE7-M10 | PACKING, OIL PAN        | 1         |                |
| 004 | 12000-Z2J-405 | BARREL ASSY., CYLINDER  | 1         |                |
| 005 | 12125-Z1V-000 | PLATE, GUIDE            | 1         |                |
| 006 | 12126-Z1V-000 | PLATE A, GUIDE          | 1         |                |
| 007 | 12355-Z1V-000 | COVER COMP., BREATHER   | 1         |                |
| 008 | 12367-883-003 | FILTER, BREATHER        | 1         |                |
| 009 | 12372-ZE7-000 | VALVE, BREATHER         | 1         |                |
| 010 | 12373-ZE7-000 | PACKING, BREATHER COVER | 1         |                |
| 011 | 15335-ZE7-000 | RUBBER, OIL RETURN      | 1         |                |
| 012 | 15620-ZE6-810 | GAUGE COMP., OIL LEVEL  | 1         |                |

| <u>Ref</u> | <u>Partnumber</u> | <u>Description</u>           | <u>GXV160UH2</u> | <u>Serial Numbers</u> |
|------------|-------------------|------------------------------|------------------|-----------------------|
| 013        | 15630-ZE6-810     | EXTENSION, OIL FILLER        | 1                |                       |
| 014        | 16510-ZE6-000     | GOVERNOR ASSY.               | 1                |                       |
| 015        | 16515-ZE6-010     | SHAFT, GOVERNOR HOLDER       | 1                |                       |
| 016        | 16525-ZE6-010     | PLATE, GOVERNOR SHAFT HOLDER | 1                |                       |
| 017        | 16531-Z1T-000     | SLIDER, GOVERNOR             | 1                |                       |
| 018        | 16541-ZE7-000     | SHAFT, GOVERNOR ARM          | 1                |                       |
| 019        | 17240-ZE6-000     | COLLAR, EXTENSION            | 1                |                       |
| 020        | 17560-Z1V-000     | STAY COMP., TANK             | 1                |                       |
| 021        | 23411-ZE7-000     | SHAFT, DRIVE                 | 1                | 1026784               |
| 021        | 23411-ZE7-010     | SHAFT, DRIVE                 | 1                |                       |
| 021        | 23411-ZE7-010     | SHAFT, DRIVE                 | 1                | 1026785               |
| 022        | 23421-ZE6-000     | GEAR, DRIVEN (22T)           | 1                |                       |
| 024        | 90013-883-000     | BOLT, FLANGE, 6X12 (CT200)   | 1                |                       |
| 025        | 90014-952-000     | BOLT, FLANGE, 6X14 (CT200)   | 3                |                       |
| 025        | 90014-952-000     | BOLT, FLANGE, 6X14 (CT200)   | 3                |                       |
| 026        | 90017-883-000     | BOLT, FLANGE, 6X32 (CT200)   | 1                |                       |
| 027        | 90022-888-010     | BOLT, FLANGE, 6X20 (CT200)   | 2                |                       |
| 028        | 90131-ZE1-000     | BOLT, DRAIN PLUG             | 1                |                       |
| 029        | 90451-ZE1-000     | WASHER, THRUST, 6MM          | 1                |                       |
| 029        | 90451-ZE1-000     | WASHER, THRUST, 6MM          | 1                |                       |
| 030        | 90452-166-600     | WASHER, THRUST, 12MM         | 1                |                       |
| 031        | 90452-187-000     | WASHER, 10X21                | 1                |                       |
| 032        | 90601-ZE1-000     | WASHER, DRAIN PLUG, 10.2MM   | 1                |                       |
| 033        | 90602-ZE1-000     | CLIP, GOVERNOR HOLDER        | 1                |                       |
| 034        | 90701-ZE6-000     | PIN, LOCK, 2.0               | 1                |                       |
| 035        | 91205-Z1V-003     | OIL SEAL, 12X20X6.5          | 1                |                       |
| 036        | 91231-Z1V-003     | OIL SEAL, 6X11X4 (ARAI)      | 1                |                       |
| 037        | 91251-Z1V-003     | OIL SEAL, 25X38X7 (ARAI)     | 1                |                       |
| 038        | 91252-Z1V-003     | OIL SEAL, 25.4X40X7          | 1                |                       |
| 039        | 91301-Z1V-003     | O-RING, 22.1X2.2             | 1                |                       |
| 040        | 91302-Z1V-003     | O-RING, 25.5X3               | 1                |                       |
| 042        | 94101-06800       | WASHER, PLAIN, 6MM           | 2                |                       |
| 043        | 94251-08000       | PIN, LOCK, 8MM               | 1                |                       |
| <u>Ref</u> | <u>Partnumber</u> | <u>Description</u>           | <u>GXV160UH2</u> | <u>Serial Numbers</u> |
| 044        | 94301-08140       | DOWEL PIN, 8X14              | 2                |                       |
| 045        | 95701-0601208     | BOLT, FLANGE, 6X12           | 1                |                       |
| 046        | 95701-0805000     | BOLT, FLANGE, 8X50           | 6                |                       |
| 047        | 96100-6205000     | BEARING, RADIAL BALL, 6205   | 1                |                       |
| 051        | 16511-ZE1-000     | WEIGHT, GOVERNOR             | 2                |                       |
| 052        | 16512-ZE6-000     | HOLDER, GOVERNOR WEIGHT      | 1                |                       |
| 053        | 16513-ZE1-000     | PIN, GOVERNOR WEIGHT         | 2                |                       |
| 054        | 90014-952-000     | BOLT, FLANGE, 6X14 (CT200)   | 1                |                       |



Z4P0E07000

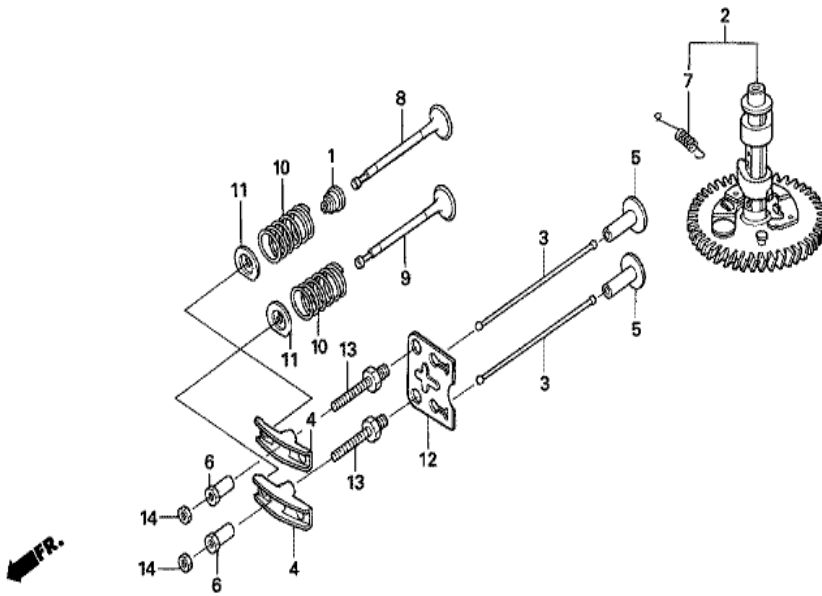
| Ref | Partnumber    | Description            | GXV160UH2 | Serial Numbers |
|-----|---------------|------------------------|-----------|----------------|
| 010 | 13310-ZE7-771 | CRANKSHAFT COMP.       | 1         |                |
| 012 | 90401-ZE7-W00 | WASHER, THRUST, 25.6MM | 1         |                |



Z4P0E0800

| Ref        | Partnumber        | Description                       | GXV160UH2        | Serial Numbers        |
|------------|-------------------|-----------------------------------|------------------|-----------------------|
| 001        | 13010-Z4K-004     | RING SET, PISTON (STD.) (TPR)     | 1                |                       |
| 001        | 13010-Z4P-003     | RING SET, PISTON (STD.) (RIKEN)   | 1                | 1036456               |
| 001        | 13010-ZL0-003     | RING SET, PISTON (STD.) (TEIKOKU) | 1                | 1036455               |
| 001        | 13010-ZL0-004     | RING SET, PISTON (STD.) (NIPPON)  | 1                | 1036455               |
| 001        | 13011-Z4K-004     | RING SET, PISTON (0.25) (TPR)     | (1)              |                       |
| 001        | 13011-Z4P-003     | RING SET, PISTON (0.25) (RIKEN)   | (1)              | 1036456               |
| 001        | 13011-ZL0-003     | RING SET, PISTON (0.25) (TEIKOKU) | (1)              | 1036455               |
| 001        | 13011-ZL0-004     | RING SET, PISTON (0.25) (NIPPON)  | (1)              | 1036455               |
| 001        | 13012-Z4K-004     | RING SET, PISTON (0.50) (TPR)     | (1)              |                       |
| 001        | 13012-Z4P-003     | RING SET, PISTON (0.50) (RIKEN)   | (1)              | 1036456               |
| 001        | 13012-ZL0-003     | RING SET, PISTON (0.50) (TEIKOKU) | (1)              | 1036455               |
| 001        | 13012-ZL0-004     | RING SET, PISTON (0.50) (NIPPON)  | (1)              | 1036455               |
| 001        | 13013-Z4K-004     | RING SET, PISTON (0.75) (TPR)     | (1)              |                       |
| <u>Ref</u> | <u>Partnumber</u> | <u>Description</u>                | <u>GXV160UH2</u> | <u>Serial Numbers</u> |
| 001        | 13013-Z4P-003     | RING SET, PISTON (0.75) (RIKEN)   | (1)              | 1036456               |
| 001        | 13013-ZL0-003     | RING SET, PISTON (0.75) (TEIKOKU) | (1)              | 1036455               |
| 001        | 13013-ZL0-004     | RING SET, PISTON (0.75) (NIPPON)  | (1)              | 1036455               |
| 002        | 13101-Z1T-000     | PISTON (STD.) (JIALING-HONDA)     | 1                | 1036455               |
| 002        | 13101-Z1T-010     | PISTON (STD.) (JIALING-HONDA)     | 1                | 1036456               |
| 002        | 13102-ZE7-020     | PISTON (0.25)                     | (1)              | 1036455               |
| 002        | 13102-ZH8-020     | PISTON (0.25)                     | (1)              |                       |
| 002        | 13103-ZE7-020     | PISTON (0.50)                     | (1)              | 1036455               |
| 002        | 13103-ZH8-020     | PISTON (0.50)                     | (1)              |                       |
| 002        | 13104-ZE7-020     | PISTON (0.75)                     | (1)              | 1036455               |
| 002        | 13104-ZH8-020     | PISTON (0.75)                     | (1)              |                       |
| 003        | 13111-Z1T-000     | PIN, PISTON                       | 1                |                       |
| 004        | 13200-Z1V-000     | ROD ASSY., CONNECTING             | 1                |                       |
| 005        | 90001-ZE1-000     | BOLT, CONNECTING ROD              | 2                |                       |
| 006        | 90551-ZE1-000     | CLIP, PISTON PIN, 18MM            | 2                |                       |





Z4P0-E0900

| Ref | Partnumber    | Description                | GXV160UH2 | Serial Numbers |
|-----|---------------|----------------------------|-----------|----------------|
| 001 | 12209-ZE6-003 | SEAL, VALVE STEM           | 1         |                |
| 002 | 14100-ZE7-770 | CAMSHAFT ASSY.             | 1         |                |
| 002 | 14100-ZE7-770 | CAMSHAFT ASSY.             | 1         |                |
| 003 | 14410-ZE1-010 | ROD, PUSH                  | 2         |                |
| 004 | 14431-ZE1-000 | ARM, VALVE ROCKER          | 2         |                |
| 005 | 14441-ZE1-010 | LIFTER, VALVE              | 2         |                |
| 006 | 14451-ZE1-013 | PIVOT, ROCKER ARM          | 2         |                |
| 006 | 14451-ZE1-013 | PIVOT, ROCKER ARM          | 2         |                |
| 007 | 14568-ZE1-000 | SPRING, WEIGHT RETURN      | 1         |                |
| 008 | 14711-ZF1-000 | VALVE, IN.                 | 1         |                |
| 009 | 14721-ZE7-000 | VALVE, EX.                 | 1         |                |
| 010 | 14751-ZE1-000 | SPRING, VALVE              | 2         |                |
| 011 | 14771-ZE1-000 | RETAINER, IN. VALVE SPRING | 2         |                |
| Ref | Partnumber    | Description                | GXV160UH2 | Serial Numbers |
| 012 | 14791-ZE1-010 | PLATE, PUSH ROD GUIDE      | 1         |                |
| 013 | 90012-ZE0-010 | BOLT, PIVOT, 8MM           | 2         |                |
| 014 | 90206-ZE1-000 | NUT, PIVOT ADJUSTING       | 2         |                |