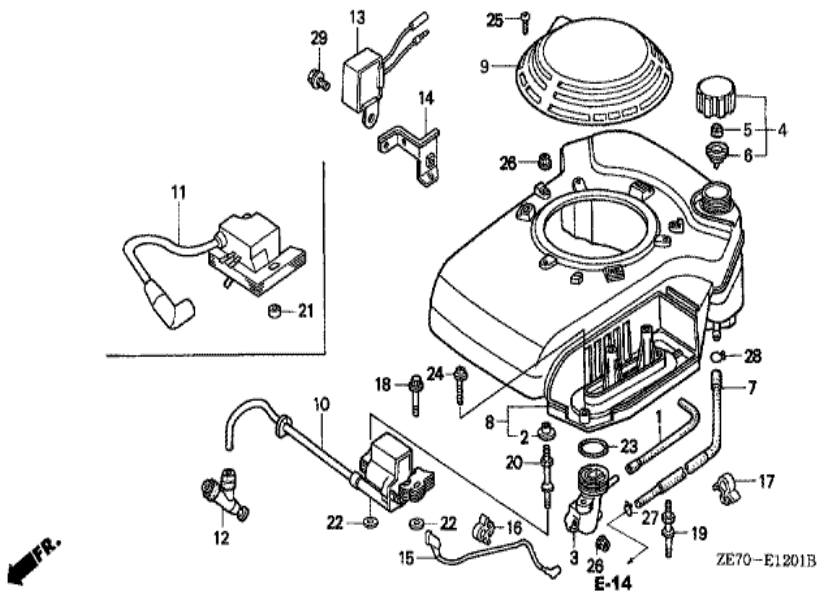
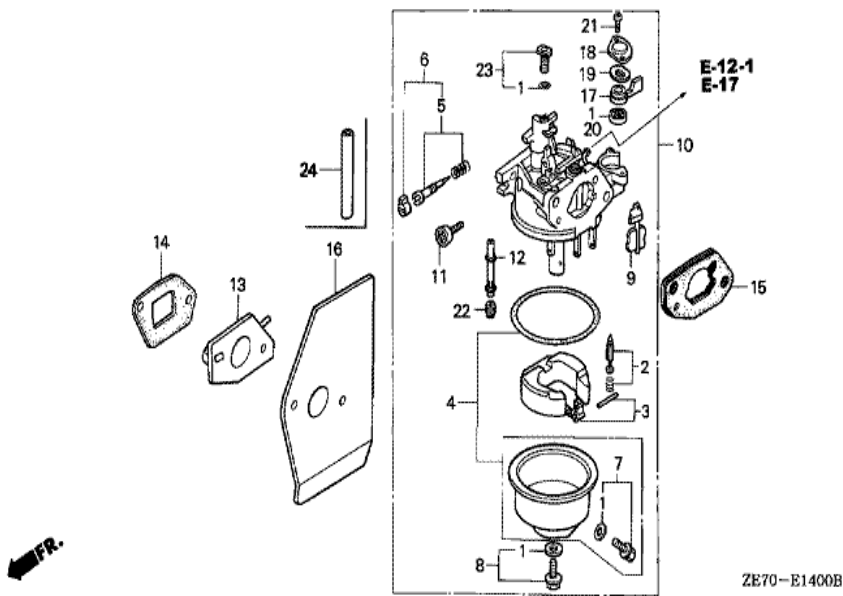


Ref	Partnumber	Description	GXV160K1	Serial Numbers
001	28400-ZG9-802	STARTER ASSY., RECOIL	1	2043512
002	28402-ZG9-802	HOUSING ASSY.	1	
003	28415-ZG9-802	PULLEY & SPRING ASSY.	1	
004	28419-ZG9-802	PIN, CENTER	1	
005	28431-ZG9-802	PLATE A, FRICTION	1	
006	28432-ZG9-802	PLATE B, FRICTION	1	
007	28441-ZG9-802	SPRING, FRICTION	1	
008	28444-ZG9-802	RETAINER	1	
009	28461-ZE6-T02	HANDLE	1	
011	28462-ZG9-802	ROPE, RECOIL STARTER	1	
012	28463-ZE6-T02	HANDLE, REINFORCEMENT	1	
013	28485-ZE6-T02	DOG	2	
014	28486-ZE6-T02	SPRING, DOG	2	



Ref	Partnumber	Description	GXV160K1	Serial Numbers
001	15721-ZE7-000	TUBE, BREATHER	1	
002	17216-PE2-003	COLLAR, AIR CLEANER (TOYO ROKI)	3	
003	17410-ZE7-W00	ELBOW COMP., AIR CLEANER	1	
004	17620-ZE7-000	CAP ASSY., FUEL TANK	1	
005	17622-888-010	SPONGE, FUEL CAP BREATHER	1	
006	17624-ZE7-000	PACKING, FUEL CAP	1	
007	17700-ZE7-W00	TUBE ASSY., FUEL TANK	1	
008	19610-ZE7-W00ZA	COVER COMP., FAN *NH1 *	1	2003761
008	19610-ZE7-W00ZB	COVER COMP., FAN *R8 *	1	2003761
008	19610-ZE7-W01ZA	COVER COMP., FAN *NH1 *	1	
008	19610-ZE7-W01ZB	COVER COMP., FAN *R8 *	1	2003762 2083602
009	19615-ZG9-801ZA	HOOD, FAN COVER (GRAINED FINISH) *NH1 *	1	
009	19615-ZG9-801ZB	HOOD, FAN COVER (GRAINED FINISH) *R8 *	1	2083602
Ref	Partnumber	Description	GXV160K1	Serial Numbers
010	30500-ZE7-033	COIL ASSY., IGNITION	1	
012	30700-ZE6-023	CAP ASSY., NOISE SUPPRESSOR	1	
015	36101-ZE7-020	CORD, STOP SWITCH	1	
016	36103-ZE1-000	HOLDER, STOP SWITCH CORD	1	
017	46392-SC2-003	CLAMP, BRAKE PIPE (GRAY)	1	
018	90015-883-000	BOLT, FLANGE, 6X28 (CT200)	1	
019	90041-ZE7-W00	BOLT, STUD (A)	2	
020	90042-ZE7-W00	BOLT, STUD (IGNITION COIL)	1	
022	90581-GB5-610	WASHER, PLAIN, 6MM	2	
023	91301-ZG9-800	O-RING, 33.3X3.5	1	
024	93891-0603510	SCREW-WASHER, 6X35	1	
025	93913-24580	SCREW, TAPPING, 4X20	1	
026	94050-06000	NUT, FLANGE, 6MM	5	
027	95002-02080	CLIP, TUBE (B8)	1	
028	95002-02100	CLIP, TUBE (B10)	1	6149216
028	95002-50000	CLIP, TUBE (C9)	1	6149217



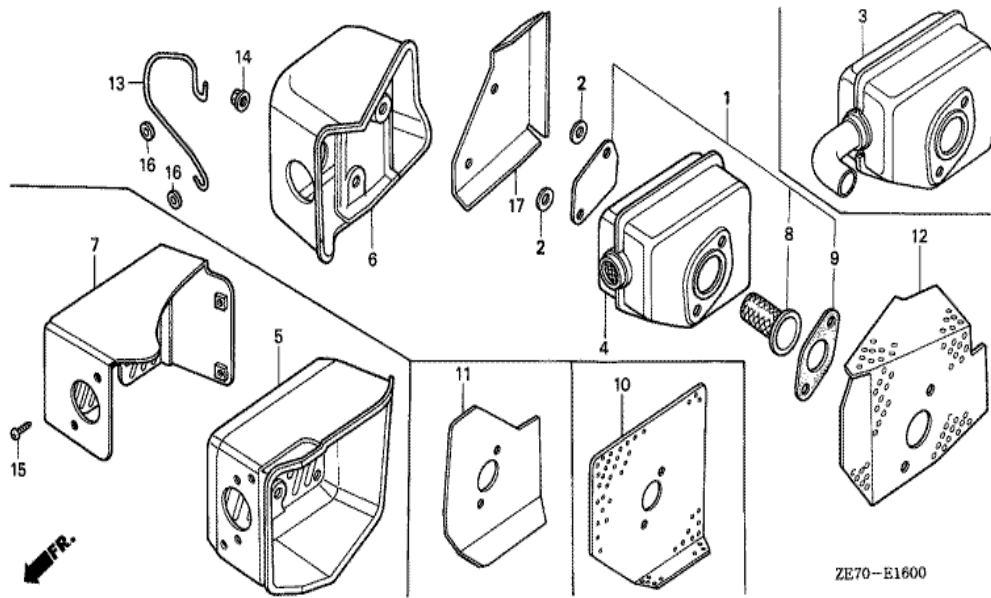
ZE70-E1400B

<u>Ref</u>	<u>Partnumber</u>	<u>Description</u>	<u>GXV160K1</u>	<u>Serial Numbers</u>
001	16010-ZE0-025	GASKET SET	1	BE40A F
002	16011-ZE0-005	VALVE SET, FLOAT	1	
003	16013-ZE0-005	FLOAT SET	1	
004	16015-ZE0-831	CHAMBER SET, FLOAT	1	
005	16016-ZE0-005	SCREW SET, PILOT	1	
006	16016-ZH7-W01	SCREW SET, PILOT	1	BE66C B
007	16024-ZE1-811	SCREW SET, DRAIN	1	
008	16028-ZE0-005	SCREW SET	1	
009	16045-ZE7-005	CHOKE SET	1	
010	16100-ZE7-W10	CARBURETOR ASSY. (BE66B A)	1	8127004
010	16100-ZE7-W11	CARBURETOR ASSY. (BE66B B)	1	2001687
010	16100-ZE7-W21	CARBURETOR ASSY. (BE66C B)	1	2038167
011	16124-ZE0-005	SCREW, THROTTLE STOP	1	
<u>Ref</u>	<u>Partnumber</u>	<u>Description</u>	<u>GXV160K1</u>	<u>Serial Numbers</u>
012	16166-ZE7-W10	NOZZLE, MAIN	1	
013	16211-ZE7-000	INSULATOR, CARBURETOR	1	
014	16212-ZE7-M10	PACKING, INSULATOR	1	1320209
015	16220-ZE6-010	SPACER COMP., CARBURETOR	1	
016	16221-ZE7-M11	PACKING, CARBURETOR	1	1352535
017	16953-ZE1-812	LEVER, COCK	1	BE66C B
018	16954-ZE1-811	PLATE, LEVER SETTING	1	
018	16954-ZE1-812	PLATE, LEVER SETTING	1	BE66C B
019	16956-ZE1-811	SPRING, COCK LEVER	1	
020	16957-ZE1-812	PACKING, FUEL COCK	1	BE40A F
021	93500-030061H	SCREW, PAN, 3X6	2	BE66C B
022	99101-ZH80600	JET, MAIN, #60	(1)	
022	99101-ZH80620	JET, MAIN, #62	(1)	
022	99101-ZH80650	JET, MAIN, #65	(1)	
023	99204-ZE00350	JET SET, PILOT, #35	1	



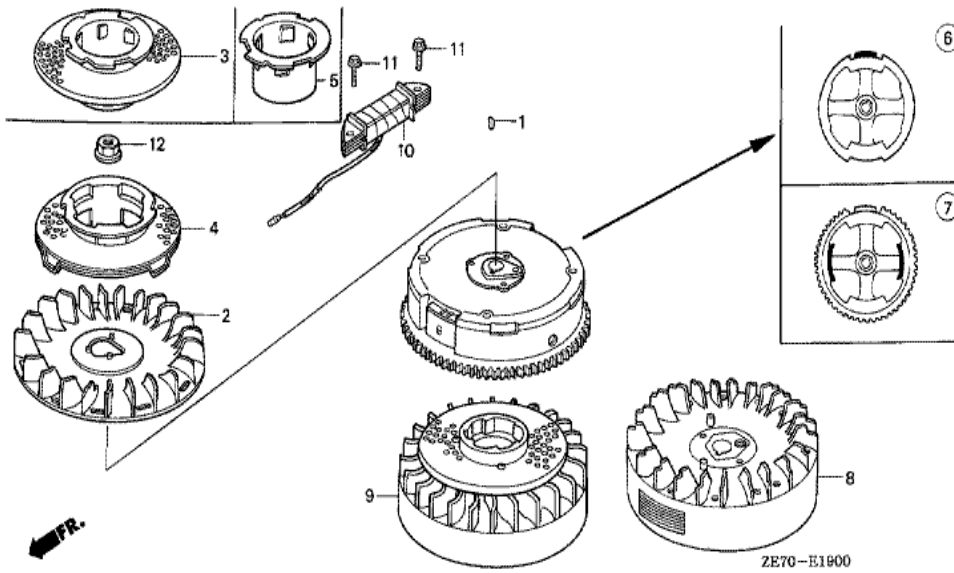
ZE70-E1501A

Ref	Partnumber	Description	GXV160K1	Serial Numbers
001	17211-ZE7-W01	ELEMENT, AIR CLEANER	1	2012216
002	17218-ZE7-W00	FILTER, OUTER	1	2012216
002	17218-ZE7-W02	FILTER, OUTER	1	
003	17231-ZE7-W00ZA	COVER, AIR CLEANER *NH1 *	1	
004	90004-ZE7-W00	BOLT, AIR CLEANER (6X73)	2	
005	17211-ZE7-W03	ELEMENT, AIR CLEANER (TOYO)	1	2012217
006	17217-ZE7-W00	PACKING, ELEMENT	1	
007	17232-ZE7-W00	GROMMET, AIR CLEANER	2	



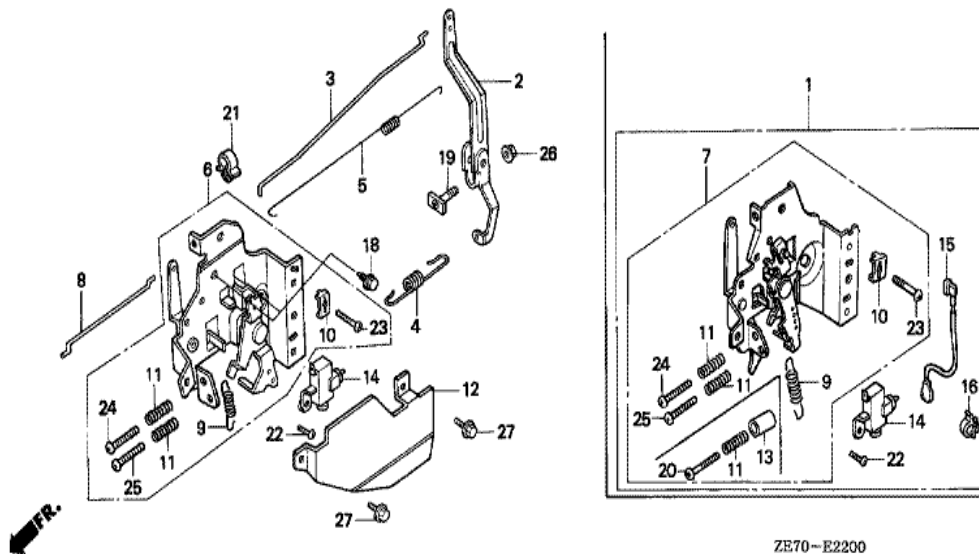
ZE70-E1600

Ref	Partnumber	Description	GXV160K1	Serial Numbers
001	06180-ZE6-820	ARRESTER KIT, SPARK	(1)	
004	18310-ZE7-013	MUFFLER COMP.	1	8117189
006	18320-ZG9-M01	PROTECTOR COMP., MUFFLER	1	
008	18355-888-810	ARRESTER, SPARK	(1)	
009	18381-ZE6-820	GASKET, MUFFLER	(1)	
012	18381-ZG9-M00	GASKET, MUFFLER	1	
014	90343-ZE6-000	NUT, SELF-LOCK, 6MM	2	



Ref	Partnumber	Description	GXV160K1	Serial Numbers
001	13331-357-000	KEY, SPECIAL WOODRUFF, 25X18	1	
002	19511-ZE1-000	FAN, COOLING	1	
003	28451-ZE7-W00	PULLEY COMP., STARTER	1	
006	31100-ZE7-010	FLYWHEEL COMP. (STD.)	1	
012	90201-878-003	NUT, SPECIAL, 14MM	1	

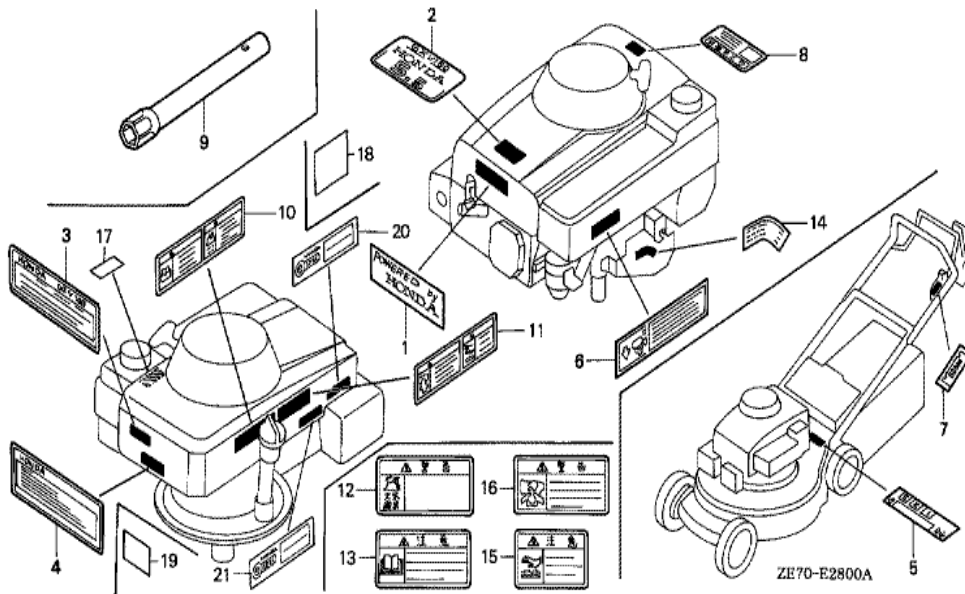




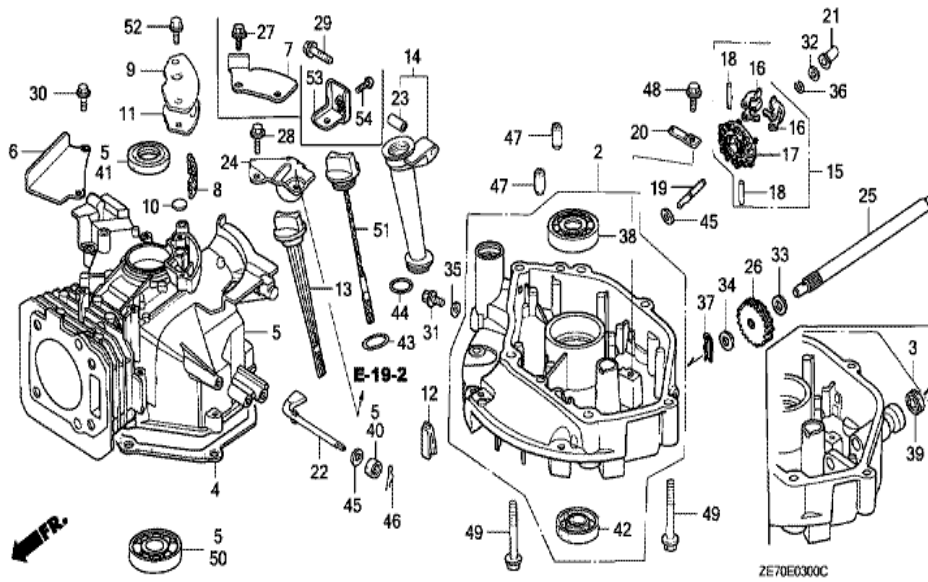
ZE70~E2200

Ref	Partnumber	Description	GXV160K1	Serial Numbers
002	16551-ZE7-000	ARM, GOVERNOR	1	
003	16555-ZE7-000	ROD, GOVERNOR	1	
004	16561-ZE7-020	SPRING, GOVERNOR	1	1284537
005	16562-ZE6-000	SPRING, THROTTLE RETURN	1	
007	16570-ZE7-772	CONTROL COMP.	1	
008	16573-ZE7-000	ROD, CHOKE	1	
009	16576-ZE7-300	SPRING, LEVER	1	1270691
010	16576-891-000	HOLDER, CABLE	1	
011	16584-883-300	SPRING, CONTROL ADJUSTING	2	1270691
012	16585-ZE7-000	PROTECTOR, CONTROL	1	1357489
014	36100-ZE7-003	SWITCH ASSY., ENGINE STOP	1	2076731
018	90013-883-000	BOLT, FLANGE, 6X12 (CT200)	2	
019	90015-ZE5-010	BOLT, GOVERNOR ARM	1	1004105
Ref	Partnumber	Description	GXV160K1	Serial Numbers
021	90659-680-013	CLIP, WIRE HARNESS	1	
022	93500-040080A	SCREW, PAN, 4X8	1	
023	93500-050160A	SCREW, PAN, 5X16	1	
024	93500-050200A	SCREW, PAN, 5X20	1	
025	93500-050280A	SCREW, PAN, 5X28	1	1270691
026	94050-06000	NUT, FLANGE, 6MM	1	
027	95701-0601000	BOLT, FLANGE, 6X10	2	1357489



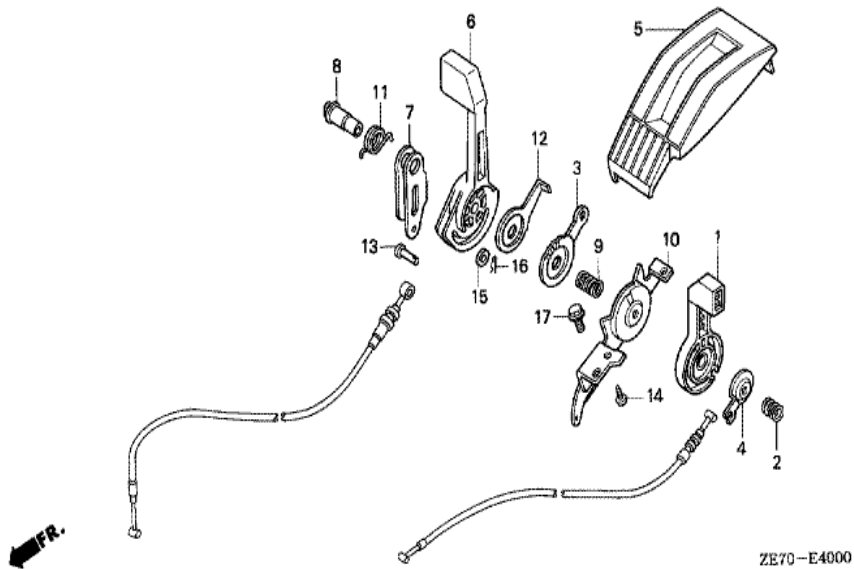


Ref	Partnumber	Description	GXV160K1	Serial Numbers
002	87101-ZE7-W00	EMBLEM (GXV160 5.5)	1	2002103
002	87101-ZE7-W21	EMBLEM (5.5 OHV)	1	2083602
003	87105-VB5-B00	CAUTION, OPERATOR	1	
005	87502-VA4-J00	MARK, CHANGE INDICATION	1	
007	87532-VA4-900	MARK, THROTTLE	1	
008	87593-737-A00	MARK, USE FUEL	1	
009	99004-21003	WRENCH, BOX (P21)	1	
012	87106-737-J00	MARK, FUEL WARNING	1	2003803
013	87150-ZH8-000	MARK, CAUTION (JAPANESE)	1	
015	87539-737-J00	MARK, HEAT CAUTION	1	2003803
016	87561-733-J00	MARK, EX. GAS WARNING	1	2003803



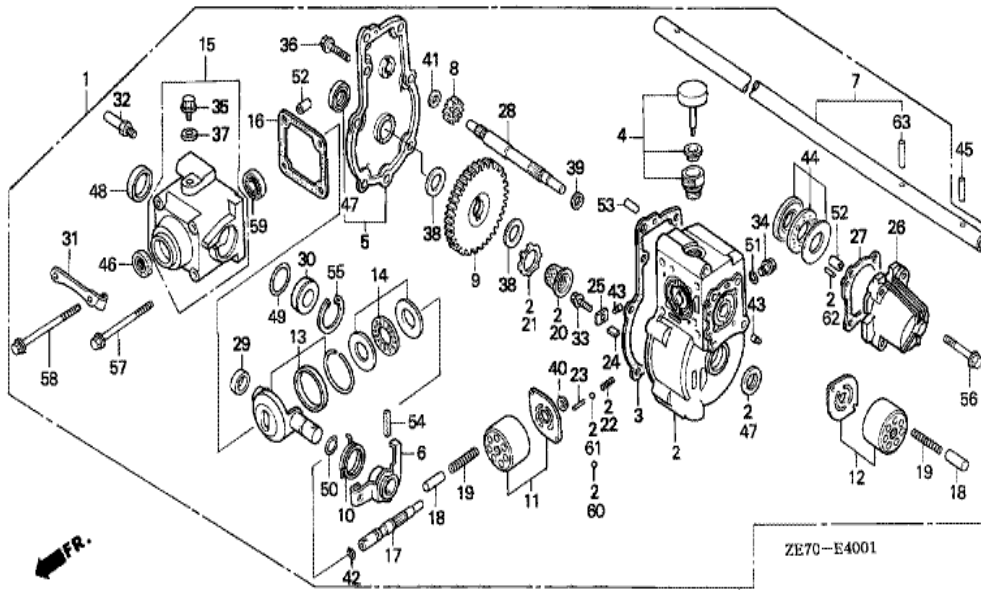
Ref	Partnumber	Description	GXV160K1	Serial Numbers
003	11300-ZE7-W40	PAN ASSY., OIL	1	
004	11381-ZE7-M10	PACKING, OIL PAN	1	
005	12000-ZE7-W00	BARREL ASSY., CYLINDER	1	2065854
006	12125-ZE7-000	PLATE, GUIDE	1	
007	12126-ZE7-W00	PLATE A, GUIDE	1	
008	12367-883-003	FILTER, BREATHER	1	
009	12370-ZE7-000	COVER COMP., BREATHER	1	
010	12372-ZE7-000	VALVE, BREATHER	1	
011	12373-ZE7-000	PACKING, BREATHER COVER	1	
012	15335-ZE7-000	RUBBER, OIL RETURN	1	
013	15620-ZE6-810	GAUGE COMP., OIL LEVEL	1	1174114
014	15630-ZE6-810	EXTENSION, OIL FILLER	1	1174114
015	16510-ZE6-000	GOVERNOR ASSY.	1	

<u>Ref</u>	<u>Partnumber</u>	<u>Description</u>	<u>GXV160K1</u>	<u>Serial Numbers</u>
016	16511-ZE1-000	WEIGHT, GOVERNOR	2	
017	16512-ZE6-000	HOLDER, GOVERNOR WEIGHT	1	
018	16513-ZE1-000	PIN, GOVERNOR WEIGHT	2	
019	16515-ZE6-000	SHAFT, GOVERNOR HOLDER	1	
020	16525-ZE6-010	PLATE, GOVERNOR SHAFT HOLDER	1	
021	16531-ZE1-000	SLIDER, GOVERNOR	1	
022	16541-ZE7-000	SHAFT, GOVERNOR ARM	1	
023	17240-ZE6-000	COLLAR, EXTENSION	1	
025	23411-ZE7-000	SHAFT, DRIVE	1	
026	23431-ZG9-T20	GEAR, DRIVEN (18T)	1	
027	90013-883-000	BOLT, FLANGE, 6X12 (CT200)	2	
029	90017-883-000	BOLT, FLANGE, 6X32 (CT200)	1	
030	90022-888-010	BOLT, FLANGE, 6X20 (CT200)	2	
031	90131-ZE1-000	BOLT, DRAIN PLUG	1	
032	90451-898-000	WASHER, THRUST, 6MM	1	
033	90452-166-600	WASHER, THRUST, 12MM	1	
034	90452-187-000	WASHER, 10X21	1	
035	90601-ZE1-000	WASHER, DRAIN PLUG, 10.2MM	1	
036	90602-ZE1-000	CLIP, GOVERNOR HOLDER	1	
037	90701-ZE6-000	PIN, LOCK, 2.0	1	
039	91205-KF0-003	OIL SEAL, 12X20X5 (ARAI)	1	2038796
039	91205-ZE7-003	OIL SEAL, 12X20X6.5 (NOK)	1	2038797
040	91231-891-003	OIL SEAL, 6X11X4 (ARAI)	1	
041	91252-888-003	OIL SEAL, 25X38X7 (ARAI)	1	
042	91252-894-004	OIL SEAL, 25.4X40X7	1	
043	91301-ZE9-003	O-RING, 22.1X2.2	1	
044	91301-805-000	O-RING, 26X2.7	1	
045	94101-06800	WASHER, PLAIN, 6MM	2	
046	94251-08000	PIN, LOCK, 8MM	1	
047	94301-08140	DOWEL PIN, 8X14	2	
048	95701-0601208	BOLT, FLANGE, 6X12	1	
049	95701-0805000	BOLT, FLANGE, 8X50	6	
050	96100-6205000	BEARING, RADIAL BALL, 6205	1	
<u>Ref</u>	<u>Partnumber</u>	<u>Description</u>	<u>GXV160K1</u>	<u>Serial Numbers</u>
052	90014-952-000	BOLT, FLANGE, 6X14 (CT200)	2	



ZE70-E4000

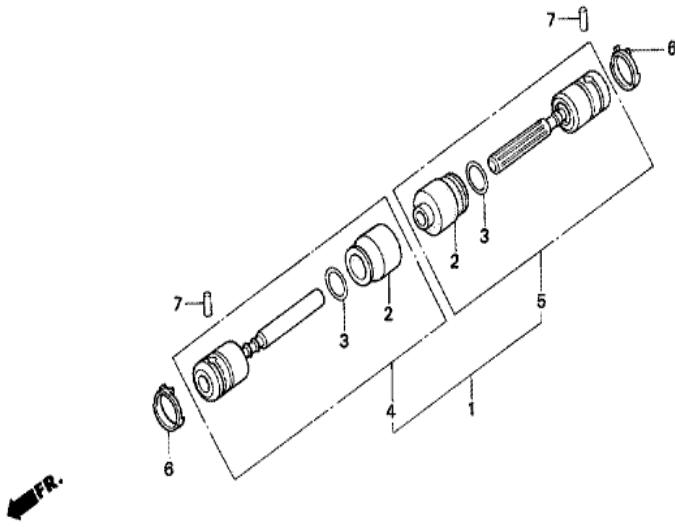
<u>Ref</u>	<u>Partnumber</u>	<u>Description</u>	<u>GXV160K1</u>	<u>Serial Numbers</u>
001	17851-VA3-800	LEVER, THROTTLE	1	
002	17858-VA4-000	SPRING, THROTTLE LEVER	1	
003	17859-VA3-P00	SEAT, SPRING	1	
004	17859-VA3-800	SEAT, SPRING	1	
005	54231-VA3-800	COVER, CONTROL	1	
006	54311-VA3-P01	LEVER, CHANGE	1	
007	54312-VA3-P00	ARM, CHANGE LEVER	1	
008	54313-VA3-P00	NUT, CHANGE LEVER	1	
009	54314-VA3-P00	SPRING, CHANGE LEVER	1	
010	54315-VA3-P00	PLATE, STOPPER	1	
011	54318-VA3-P00	SPRING, ARM RETURN	1	
012	54319-VA3-P00	PLATE, THRUST	1	
013	90752-VA3-P01	PIN, 6X22	1	
<u>Ref</u>	<u>Partnumber</u>	<u>Description</u>	<u>GXV160K1</u>	<u>Serial Numbers</u>
014	93901-35210	SCREW, TAPPING, 5X12	2	
015	94101-06000	WASHER, PLAIN, 6MM	1	
016	94251-06000	PIN, LOCK, 6MM	1	
017	95701-0601000	BOLT, FLANGE, 6X10	1	



Ref	Partnumber	Description	GXV160K1	Serial Numbers
001	20001-VD6-306	TRANSMISSION ASSY.	1	
002	211A1-VD6-904	CASE COMP., TRANSMISSION	1	
003	21115-VD6-900	PACKING, TRANSMISSION CASE	1	
004	21230-VD6-903	CAP COMP., OIL	1	
005	21520-VD6-901	COVER COMP., TRANSMISSION	1	
006	22533-VD6-900	ARM, CONTROL	1	
007	23250-VD6-940	SHAFT COMP., FINAL	1	
008	23456-VD6-902	GEAR, FINAL DRIVE (12T)	1	
009	23483-VD6-902	GEAR, FINAL DRIVEN (66T)	1	
010	24134-VD6-900	SPRING, CONTROL ARM RETURN	1	
011	25010-VD6-900	PLATE SET, PUMP CYLINDER	1	
012	25011-VD6-900	PLATE SET, MOTOR CYLINDER	1	
013	25012-VD6-902	BOWL SET, CONTROL	1	

<u>Ref</u>	<u>Partnumber</u>	<u>Description</u>	<u>GXV160K1</u>	<u>Serial Numbers</u>
014	25014-VD6-900	BEARING SET, THRUST NEEDLE	1	
015	25016-VD6-900	CASE SET, PUMP	1	
016	25312-VD6-900	PACKING, PUMP CASE	1	
017	25321-VD6-900	SHAFT, PUMP	1	
018	25342-VD6-900	PISTON, PUMP	14	
019	25343-VD6-900	SPRING, PISTON	14	
020	25421-VD6-852	FILTER, SUCTION	1	
021	25425-VD6-901	PLATE, FILTER	1	
022	25431-VD6-305	SPRING, RELIEF VALVE	1	
023	25442-VD6-900	NEEDLE A, NEUTRAL VALVE	1	
023	25443-VD6-900	NEEDLE B, NEUTRAL VALVE	1	
023	25444-VD6-900	NEEDLE C, NEUTRAL VALVE (22.8)	1	
023	25445-VD6-900	NEEDLE D, NEUTRAL VALVE	1	
023	25446-VD6-900	NEEDLE E, NEUTRAL VALVE (23.2)	1	
024	25519-VD6-900	MAGNET	1	
025	25529-VD6-900	PLATE, MAGNET SETTING	1	
026	25711-VD6-901	CASE, MOTOR	1	
027	25712-VD6-902	PACKING, MOTOR CASE	1	
028	25721-VD6-901	SHAFT, MOTOR	1	
029	25812-VD6-900	BUSH, CONTROL BOWL (A)	1	
030	25813-VD6-900	BUSH, CONTROL BOWL (B)	1	
031	54346-VD6-900	HOLDER, CONTROL CABLE	1	
032	90012-VA4-800	BOLT, GUIDE	1	
033	90017-ZV0-000	BOLT, FLANGE, 6X18	1	
034	90102-VD6-901	BOLT, PLUG (A)	1	
035	90109-371-000	BOLT, SEALING, 8MM	1	
036	90113-VD6-900	BOLT, FLANGE, 6X21	8	
037	90421-KM1-003	WASHER, SEALING,	1	
038	90533-VD6-901	WASHER, 15X24X3.2	2	
039	90587-VD6-900	WASHER, THRUST, 10.2X16X1	1	
040	90588-VD6-900	WASHER, THRUST, 8.3X13X1.6	1	
041	90589-VD6-901	WASHER, THRUST, 8.6X13X0.6	1	
042	90662-VD6-900	CLIP, BEARING	1	

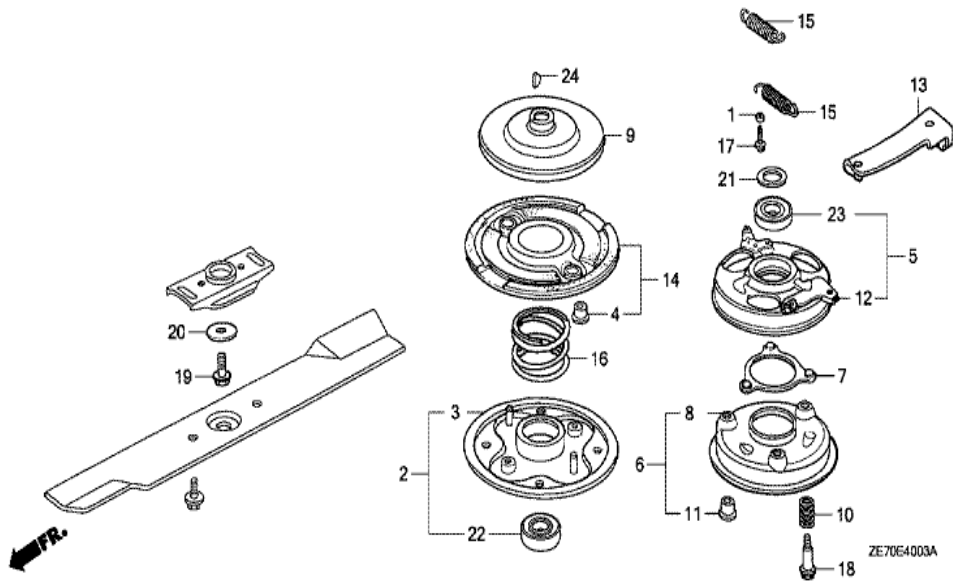
<u>Ref</u>	<u>Partnumber</u>	<u>Description</u>	<u>GXV160K1</u>	<u>Serial Numbers</u>
043	90755-VD6-900	DOWEL PIN, 3X5.8	4	
044	91061-VD6-901	BEARING, THRUST BALL	1	
045	91101-VA4-801	ROLLER, 5X23.8	4	
046	91201-VA4-801	OIL SEAL, 10X20X5	1	
047	91205-VA4-801	OIL SEAL, 15X24X5	2	
048	91255-723-671	PLUG, SEAL,	1	
049	91304-GB1-900	O-RING, 25X2.4	1	
050	91361-VD6-901	O-RING, 11.8X1.9	1	
051	91363-VD6-900	O-RING, 6.8X1.9	1	
052	94301-08100	DOWEL PIN, 8X10	4	
053	94303-04065	PIN C, DOWEL, 4X6.5	1	
054	94305-50202	PIN, SPRING, 5X20	1	
055	94520-30000	CIRCLIP, INTERNAL, 30MM	1	
056	96001-0603200	BOLT, FLANGE, 6X32	4	
057	96001-0606000	BOLT, FLANGE, 6X60	2	
058	96001-0606500	BOLT, FLANGE, 6X65	2	
059	96100-6000000	BEARING, RADIAL BALL, 6000	1	
060	96211-05000	BALL, STEEL, #5 (5/32)	1	
061	96211-08000	BALL, STEEL, #8 (1/4)	1	
062	96220-40198	ROLLER, 4X19.8	1	
063	96220-60224	ROLLER, 6X22.4	1	



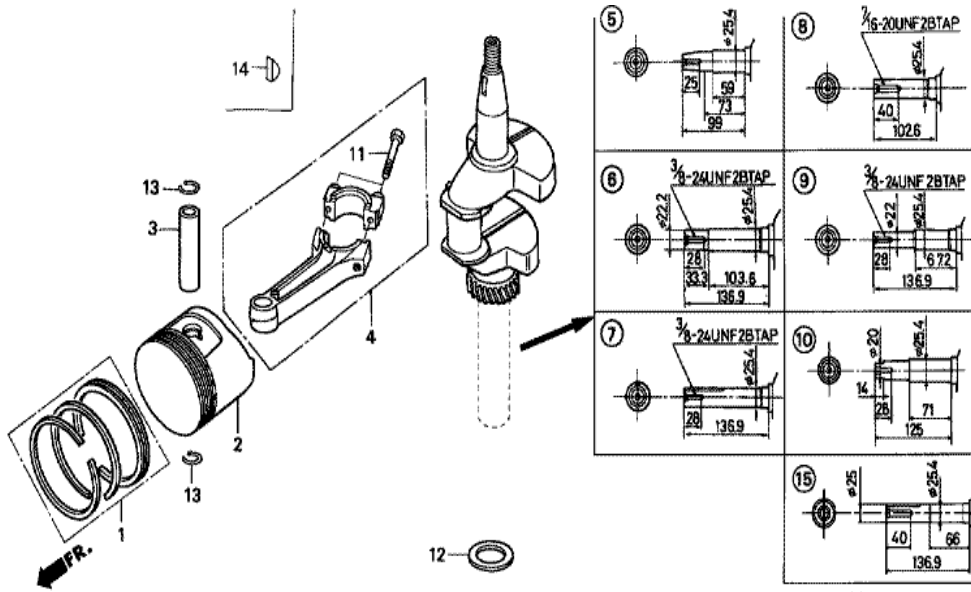
ZE70-E4002

Ref	Partnumber	Description	GXV160K1	Serial Numbers
001	22100-VB3-803	JOINT ASSY.	1	
002	22123-VB5-801	BOOT, JOINT	2	
003	22127-VB5-801	RING, SEAL	2	
004	22150-VB3-803	JOINT SUB ASSY. (A)	1	
005	22160-VB3-803	JOINT SUB ASSY. (B)	1	
006	90651-VD6-900	CLIP, CLUTCH SHAFT	2	
007	96220-40178	ROLLER, 4X17.8	2	



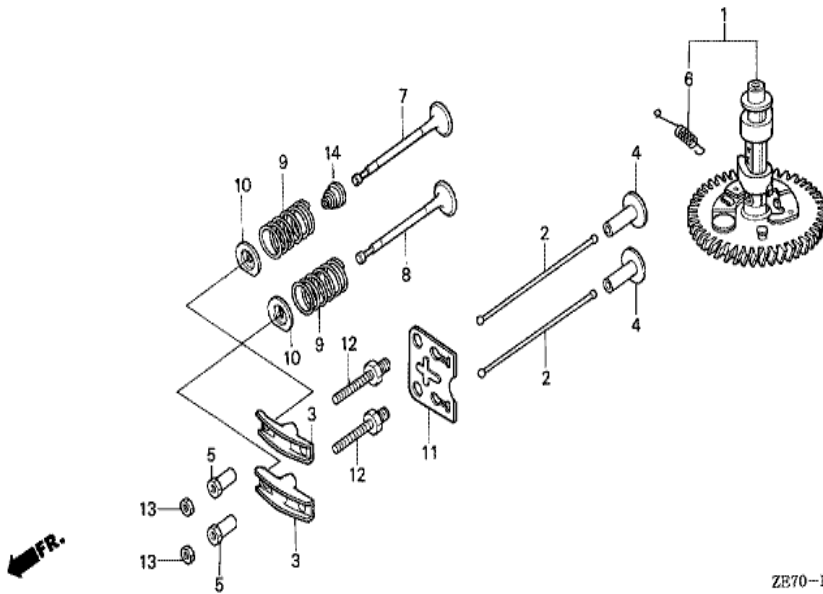


Ref	Partnumber	Description	GXV160K1	Serial Numbers
001	19512-883-000	COLLAR, FAN	1	2003802
001	19512-883-000	COLLAR, FAN	2	
002	72600-VA4-010	HOLDER ASSY., BLADE	1	
003	72610-VA4-000	HOLDER COMP., BLADE	1	
004	72613-VA4-000	BUSH, BLADE HOLDER	2	
005	75090-VA4-030	PLATE ASSY., BALL CONTROL	1	
006	75100-VA4-010	BRAKE COMP.	1	
007	75110-VA4-000	RETAINER COMP., BALL	1	
008	75120-VA4-010	DISK, BRAKE	1	
009	75130-VA4-000	DISK, DRIVE	1	
010	75132-VA4-000	SPRING, BRAKE HOLDER	1	
010	75132-VA4-000	SPRING, BRAKE HOLDER	3	2013955
011	75133-VA4-000	BUSH, BRAKE HOLDER	3	
Ref	Partnumber	Description	GXV160K1	Serial Numbers
012	75140-VA4-020	PLATE COMP., BALL CONTROL	1	
013	75142-VB3-803	PLATE, CABLE HOOK	1	
014	75150-VA3-J01	DISK COMP., DRIVEN	1	
015	75182-VA3-J00	SPRING, CLUTCH RETURN (53.0MM)	2	
016	75183-VA3-J00	SPRING, CLUTCH (36.6MM)	1	
017	90014-952-000	BOLT, FLANGE, 6X14 (CT200)	1	
017	90014-952-000	BOLT, FLANGE, 6X14 (CT200)	4	2003803
018	90021-VA4-000	BOLT, SPECIAL, 6MM	3	
018	90021-VA4-000	BOLT, SPECIAL, 6MM	3	2013955
019	90105-960-003	BOLT, HEX., 10X25	1	
020	90401-880-000	WASHER, 10X30X3.5T	1	
021	90501-952-010	WASHER, THRUST	1	
022	91102-VA4-013	BEARING, RADIAL BALL, 6204	1	
023	91103-VA4-003	BEARING, RADIAL BALL, 60/22	1	
024	94401-16150	KEY, WOODRUFF, 16X15	1	



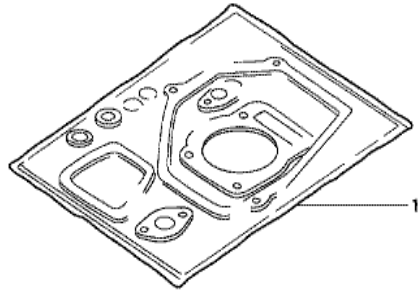
ZE70-E0760C

Ref	Partnumber	Description	GXV160K1	Serial Numbers
001	13010-ZF1-023	RING SET, PISTON (STD.) (TEIKOKU)	1	1149119
001	13010-ZF1-024	RING SET, PISTON (STD.) (NIPPON)	1	
001	13011-ZF1-023	RING SET, PISTON (0.25) (TEIKOKU)	(1)	1149119
001	13011-ZF1-024	RING SET, PISTON (0.25) (NIPPON)	(1)	
001	13012-ZF1-023	RING SET, PISTON (0.50) (TEIKOKU)	(1)	1149119
001	13012-ZF1-024	RING SET, PISTON (0.50) (NIPPON)	(1)	
001	13013-ZF1-023	RING SET, PISTON (0.75) (TEIKOKU)	(1)	1149119
001	13013-ZF1-024	RING SET, PISTON (0.75) (NIPPON)	(1)	
002	13101-ZE7-010	PISTON (STD.)	1	1149119
002	13102-ZE7-010	PISTON (0.25)	(1)	
002	13103-ZE7-010	PISTON (0.50)	(1)	
002	13104-ZE7-010	PISTON (0.75)	(1)	1149119
003	13111-ZE1-000	PIN, PISTON	1	
Ref	Partnumber	Description	GXV160K1	Serial Numbers
004	13200-ZE7-000	ROD ASSY., CONNECTING	1	
010	13310-ZE7-771	CRANKSHAFT COMP.	1	1351274
011	90001-ZE1-000	BOLT, CONNECTING ROD	2	
012	90401-ZE7-W00	WASHER, THRUST, 25.6MM	1	
013	90551-ZE1-000	CLIP, PISTON PIN, 18MM	2	



ZB70-E0900A

Ref	Partnumber	Description	GXV160K1	Serial Numbers
001	14100-ZE7-N40	CAMSHAFT ASSY.	1	
002	14410-ZE1-010	ROD, PUSH	2	
003	14431-ZE1-000	ARM, VALVE ROCKER	2	
004	14441-ZE1-000	LIFTER, VALVE	2	1363415
004	14441-ZE1-010	LIFTER, VALVE	2	2007291
005	14451-ZE1-013	PIVOT, ROCKER ARM	2	1315994
006	14568-ZE1-000	SPRING, WEIGHT RETURN	1	
007	14711-ZE7-000	VALVE, IN.	1	2068161
007	14711-ZF1-000	VALVE, IN.	1	
008	14721-ZE7-000	VALVE, EX.	1	
009	14751-ZE1-000	SPRING, VALVE	2	
010	14771-ZE1-000	RETAINER, IN. VALVE SPRING	2	
011	14791-ZE1-010	PLATE, PUSH ROD GUIDE	1	
Ref	Partnumber	Description	GXV160K1	Serial Numbers
012	90012-ZE0-010	BOLT, PIVOT, 8MM	2	
013	90206-ZE1-000	NUT, PIVOT ADJUSTING	2	
014	12209-ZE6-003	SEAL, VALVE STEM	1	2068162



HENG-X0003

<u>Ref</u>	<u>Partnumber</u>	<u>Description</u>	<u>GXV160K1</u>	<u>Serial Numbers</u>
001	061A1-ZE7-030	GASKET KIT (###)	1	