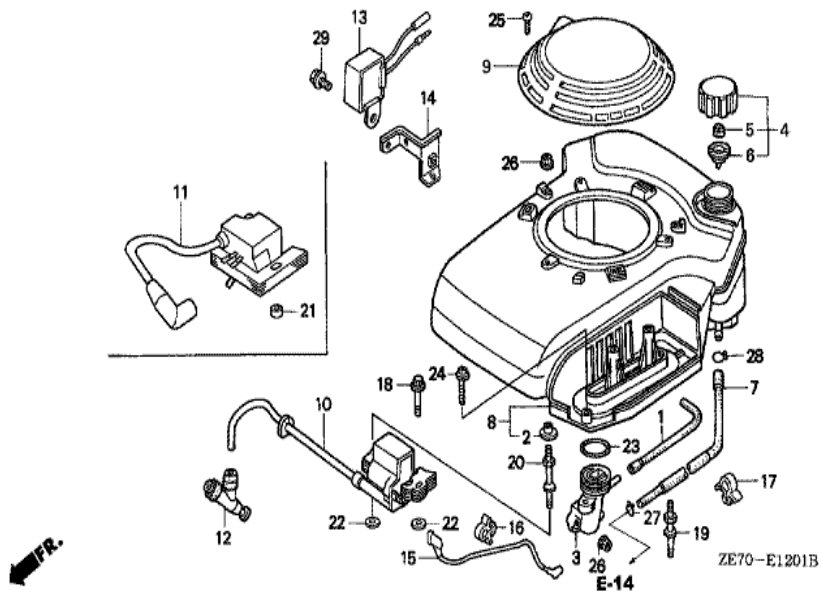
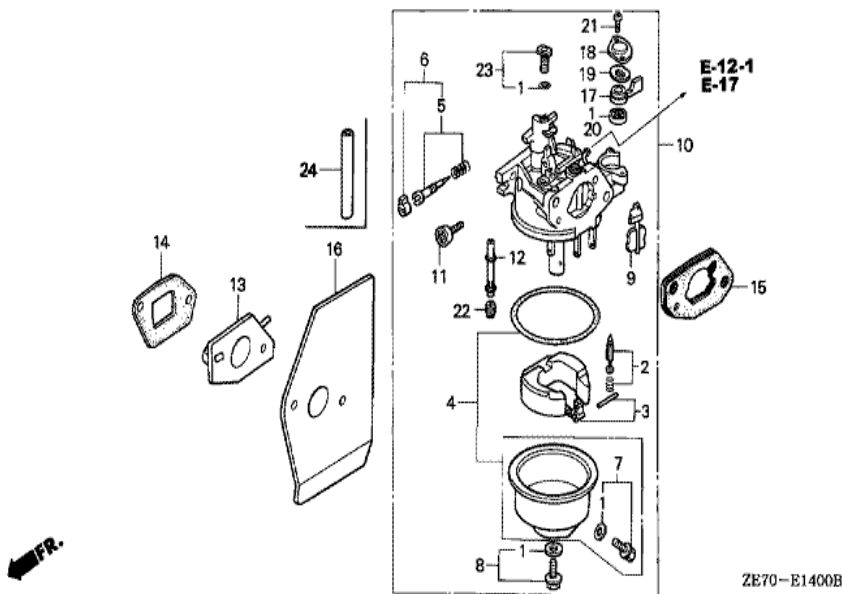


<u>Ref</u>	<u>Partnumber</u>	<u>Description</u>	<u>GXV160K1</u>	<u>Serial Numbers</u>
001	28400-ZG9-802	STARTER ASSY., RECOIL	1	2043512
001	28400-ZG9-803	STARTER ASSY., RECOIL	1	2043513
002	28402-ZG9-802	HOUSING ASSY.	1	
003	28415-ZG9-802	PULLEY & SPRING ASSY.	1	
004	28419-ZG9-802	PIN, CENTER	1	
005	28431-ZG9-802	PLATE A, FRICTION	1	
006	28432-ZG9-802	PLATE B, FRICTION	1	
007	28441-ZG9-802	SPRING, FRICTION	1	
008	28444-ZG9-802	RETAINER	1	
009	28461-ZE6-T02	HANDLE	1	
011	28462-ZG9-802	ROPE, RECOIL STARTER	1	
012	28463-ZE6-T02	HANDLE, REINFORCEMENT	1	
013	28485-ZE6-T02	DOG	2	
<u>Ref</u>	<u>Partnumber</u>	<u>Description</u>	<u>GXV160K1</u>	<u>Serial Numbers</u>
014	28486-ZE6-T02	SPRING, DOG	2	

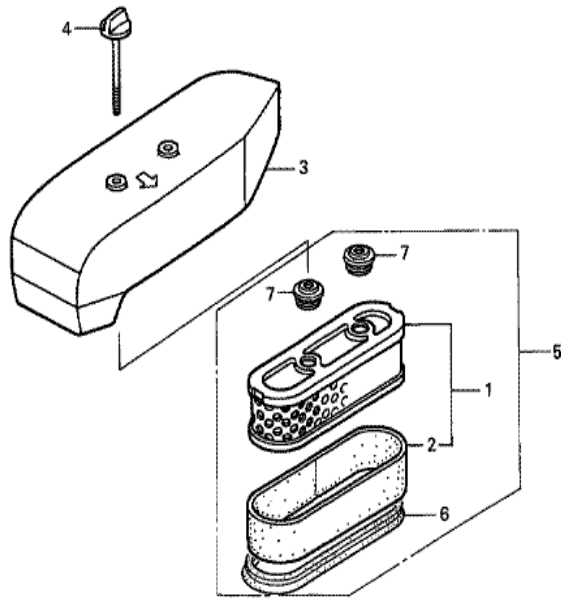


Ref	Partnumber	Description	GXV160K1	Serial Numbers	
001	15721-ZE7-000	TUBE, BREATHER	1		
002	17216-PE2-003	COLLAR, AIR CLEANER (TOYO ROKI)	3		
003	17410-ZE7-W00	ELBOW COMP., AIR CLEANER	1		
004	17620-ZE7-000	CAP ASSY., FUEL TANK	1		
005	17622-888-010	SPONGE, FUEL CAP BREATHER	1		
006	17624-ZE7-000	PACKING, FUEL CAP	1		
007	17700-ZE7-W00	TUBE ASSY., FUEL TANK	1		
008	19610-ZE7-W00ZA	COVER COMP., FAN *NH1 *	1	2003761	
008	19610-ZE7-W00ZB	COVER COMP., FAN *R8 *	1	2003761	
008	19610-ZE7-W01ZA	COVER COMP., FAN *NH1 *	1		
008	19610-ZE7-W01ZB	COVER COMP., FAN *R8 *	1	2003762 2083602	
008	19610-ZE7-W01ZC	COVER COMP., FAN *R280 *	1	2083603	
009	19615-ZG9-801ZA	HOOD, FAN COVER (GRAINED FINISH) *NH1 *	1		
	<u>Ref</u>	<u>Partnumber</u>	<u>Description</u>	<u>GXV160K1</u>	<u>Serial Numbers</u>
009	19615-ZG9-801ZB	HOOD, FAN COVER (GRAINED FINISH) *R8 *	1	2083602	
009	19615-ZG9-801ZE	HOOD, FAN COVER (GRAINED FINISH) *R280 *	1	2083603	
011	30500-ZG9-801	COIL ASSY., IGNITION	1		
018	90015-883-000	BOLT, FLANGE, 6X28 (CT200)	1		
019	90041-ZE7-W00	BOLT, STUD (A)	2		
020	90042-ZE7-W00	BOLT, STUD (IGNITION COIL)	1		
021	90402-ZE7-W00	COLLAR, SPECIAL	2		
023	91301-ZG9-800	O-RING, 33.3X3.5	1		
024	93891-0603510	SCREW-WASHER, 6X35	1		
025	93913-24580	SCREW, TAPPING, 4X20	1		
026	94050-06000	NUT, FLANGE, 6MM	5		
027	95002-02080	CLIP, TUBE (B8)	1		
028	95002-02100	CLIP, TUBE (B10)	1	6149216	
028	95002-50000	CLIP, TUBE (C9)	1	6149217	



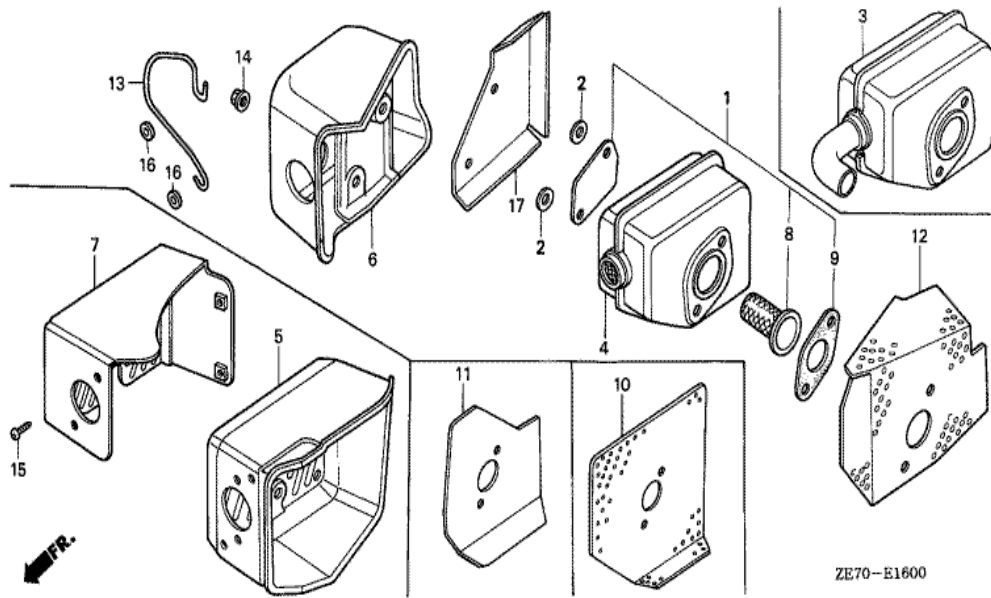
ZE70-E1400B

<u>Ref</u>	<u>Partnumber</u>	<u>Description</u>	<u>GXV160K1</u>	<u>Serial Numbers</u>
001	16010-ZE0-025	GASKET SET	1	BE40A F
002	16011-ZE0-005	VALVE SET, FLOAT	1	
003	16013-ZE0-005	FLOAT SET	1	
004	16015-ZE0-831	CHAMBER SET, FLOAT	1	
005	16016-ZE0-005	SCREW SET, PILOT	1	
006	16016-ZH7-W01	SCREW SET, PILOT	1	BE66C B
007	16024-ZE1-811	SCREW SET, DRAIN	1	
008	16028-ZE0-005	SCREW SET	1	
009	16045-ZE7-005	CHOKE SET	1	
010	16100-ZE7-W10	CARBURETOR ASSY. (BE66B A)	1	8127004
010	16100-ZE7-W11	CARBURETOR ASSY. (BE66B B)	1	2001687
010	16100-ZE7-W21	CARBURETOR ASSY. (BE66C B)	1	2038167
011	16124-ZE0-005	SCREW, THROTTLE STOP	1	
<u>Ref</u>	<u>Partnumber</u>	<u>Description</u>	<u>GXV160K1</u>	<u>Serial Numbers</u>
012	16166-ZE7-W10	NOZZLE, MAIN	1	
013	16211-ZE7-000	INSULATOR, CARBURETOR	1	
014	16212-ZE7-M10	PACKING, INSULATOR	1	1320209
015	16220-ZE6-010	SPACER COMP., CARBURETOR	1	
016	16221-ZE7-M11	PACKING, CARBURETOR	1	1352535
017	16953-ZE1-812	LEVER, COCK	1	BE66C B
018	16954-ZE1-811	PLATE, LEVER SETTING	1	
018	16954-ZE1-812	PLATE, LEVER SETTING	1	BE66C B
019	16956-ZE1-811	SPRING, COCK LEVER	1	
020	16957-ZE1-812	PACKING, FUEL COCK	1	BE40A F
021	93500-030061H	SCREW, PAN, 3X6	2	BE66C B
022	99101-ZH80600	JET, MAIN, #60	(1)	
022	99101-ZH80620	JET, MAIN, #62	(1)	
022	99101-ZH80650	JET, MAIN, #65	(1)	
023	99204-ZE00350	JET SET, PILOT, #35	1	



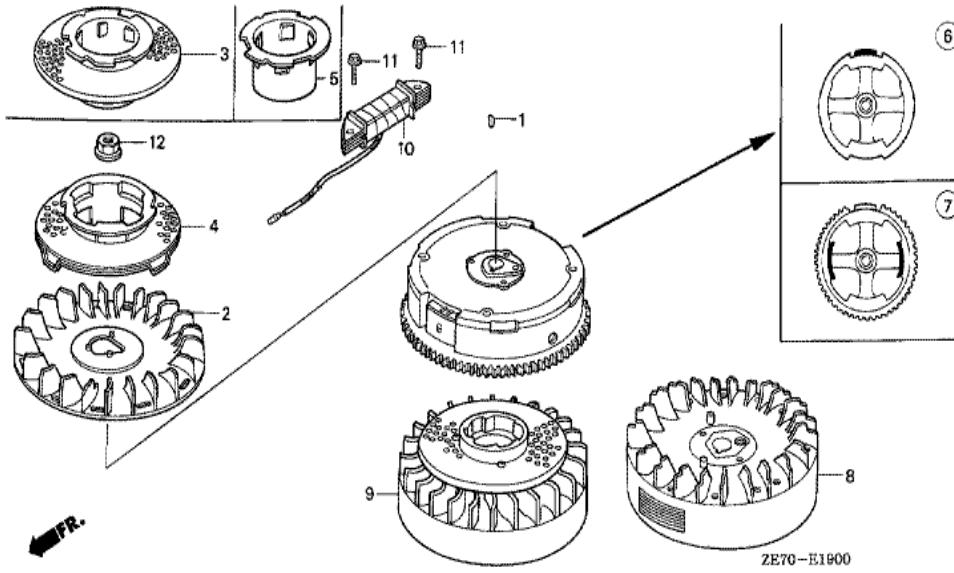
ZE70-E1501A

Ref	Partnumber	Description	GXV160K1	Serial Numbers
001	17211-ZE7-W01	ELEMENT, AIR CLEANER	1	2012216
002	17218-ZE7-W00	FILTER, OUTER	1	2012216
002	17218-ZE7-W02	FILTER, OUTER	1	
003	17231-ZE7-W00ZA	COVER, AIR CLEANER *NH1 *	1	
004	90004-ZE7-W00	BOLT, AIR CLEANER (6X73)	2	
005	17211-ZE7-W03	ELEMENT, AIR CLEANER (TOYO)	1	2012217
006	17217-ZE7-W00	PACKING, ELEMENT	1	
007	17232-ZE7-W00	GROMMET, AIR CLEANER	2	

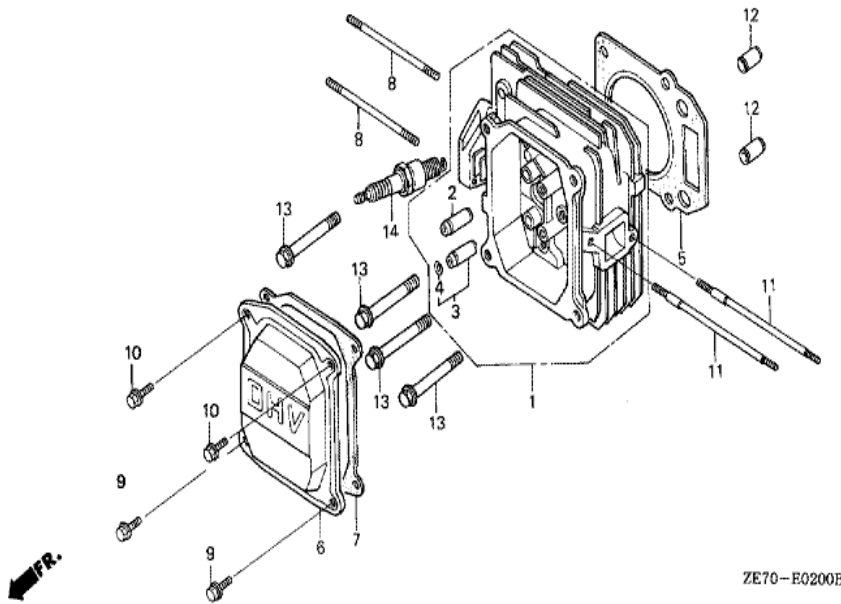


ZE70-E1600

Ref	Partnumber	Description	GXV160K1	Serial Numbers
001	06180-ZE6-820	ARRESTER KIT, SPARK	(1)	
004	18310-ZE7-013	MUFFLER COMP.	1	8117189
006	18320-ZG9-M01	PROTECTOR COMP., MUFFLER	1	
008	18355-888-810	ARRESTER, SPARK	(1)	
009	18381-ZE6-820	GASKET, MUFFLER	(1)	
012	18381-ZG9-M00	GASKET, MUFFLER	1	
014	90343-ZE6-000	NUT, SELF-LOCK, 6MM	2	

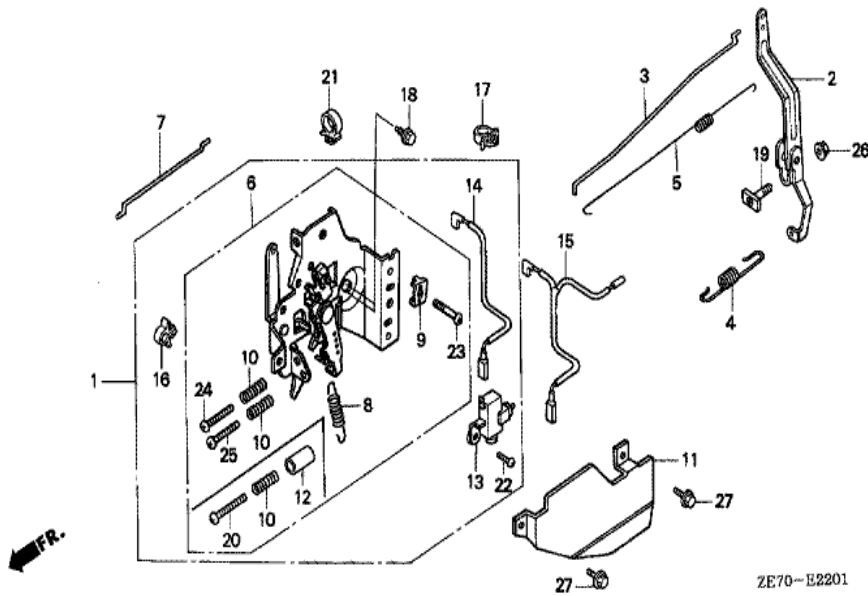


Ref	Partnumber	Description	GXV160K1	Serial Numbers
001	13331-357-000	KEY, SPECIAL WOODRUFF, 25X18	1	
009	31105-ZE7-W00	FLYWHEEL ASSY.	1	
012	90201-878-003	NUT, SPECIAL, 14MM	1	



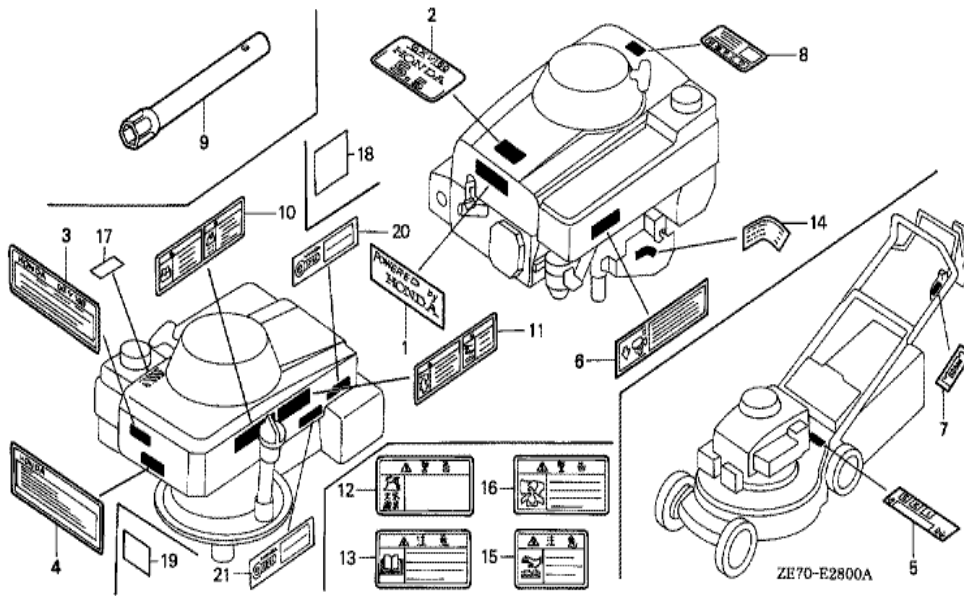
ZE70-E0200B

<u>Ref</u>	<u>Partnumber</u>	<u>Description</u>	<u>GXV160K1</u>	<u>Serial Numbers</u>
001	12200-ZE7-000	HEAD COMP., CYLINDER	1	2067037
001	12200-ZE7-405	HEAD COMP., CYLINDER	1	2067038
002	12204-ZE1-306	GUIDE, IN. VALVE (OS)	(1)	
003	12205-ZE1-315	GUIDE, EX. VALVE (OS)	(1)	
004	12216-ZE5-300	CLIP, VALVE GUIDE	1	
005	12251-ZE7-000	GASKET, CYLINDER HEAD	1	
006	12310-ZE7-000	COVER, HEAD	1	
007	12391-ZE7-M10	PACKING, HEAD COVER	1	1320209
008	90048-ZC3-000	BOLT, STUD, 6X85	2	
009	90013-883-000	BOLT, FLANGE, 6X12 (CT200)	2	1330279
010	90014-952-000	BOLT, FLANGE, 6X14 (CT200)	2	
011	90043-ZE6-000	BOLT, STUD, 6X109	2	1350097
012	94301-10160	DOWEL PIN, 10X16	2	
<u>Ref</u>	<u>Partnumber</u>	<u>Description</u>	<u>GXV160K1</u>	<u>Serial Numbers</u>
013	95701-0805000	BOLT, FLANGE, 8X50	4	
014	98079-54846	PLUG, SPARK (BPR4ES) (NGK)	(1)	
014	98079-54855	PLUG, SPARK (W14EPR-U) (DENSO)	(1)	
014	98079-55846	PLUG, SPARK (BPR5ES) (NGK)	1	
014	98079-55855	PLUG, SPARK (W16EPR-U) (DENSO)	1	
014	98079-56846	PLUG, SPARK (BPR6ES) (NGK)	(1)	
014	98079-56855	PLUG, SPARK (W20EPR-U) (DENSO)	(1)	

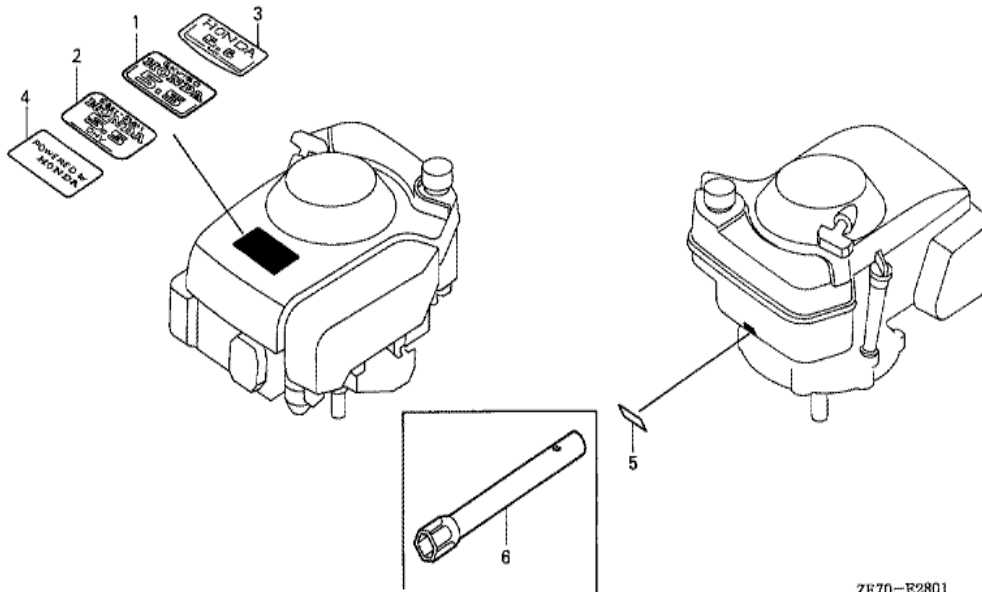


ZE70-E2201

Ref	Partnumber	Description	GXV160K1	Serial Numbers
002	16551-ZE7-000	ARM, GOVERNOR	1	
003	16555-ZE7-000	ROD, GOVERNOR	1	
004	16561-ZE7-020	SPRING, GOVERNOR	1	
005	16562-ZE6-000	SPRING, THROTTLE RETURN	1	
006	16570-ZE7-020	CONTROL ASSY.	1	
007	16573-ZE7-000	ROD, CHOKE	1	
008	16576-ZE7-300	SPRING, LEVER	1	
009	16576-891-000	HOLDER, CABLE	1	
010	16584-883-300	SPRING, CONTROL ADJUSTING	2	
011	16585-ZE7-000	PROTECTOR, CONTROL	1	
013	36100-ZE7-003	SWITCH ASSY., ENGINE STOP	1	2076731
013	36100-ZE7-013	SWITCH ASSY., ENGINE STOP	1	2076732
014	36101-ZE7-W00	CORD, STOP SWITCH	1	
<u>Ref</u>	<u>Partnumber</u>	<u>Description</u>	<u>GXV160K1</u>	<u>Serial Numbers</u>
016	36103-ZE1-000	HOLDER, STOP SWITCH CORD	1	
017	46392-SC2-003	CLAMP, BRAKE PIPE (GRAY)	1	
018	90013-883-000	BOLT, FLANGE, 6X12 (CT200)	2	
019	90015-ZE5-010	BOLT, GOVERNOR ARM	1	
021	90659-680-013	CLIP, WIRE HARNESS	1	
022	93500-040080A	SCREW, PAN, 4X8	1	
023	93500-050160A	SCREW, PAN, 5X16	1	
024	93500-050200A	SCREW, PAN, 5X20	1	
025	93500-050280A	SCREW, PAN, 5X28	1	
026	94050-06000	NUT, FLANGE, 6MM	1	
027	95701-0601000	BOLT, FLANGE, 6X10	2	

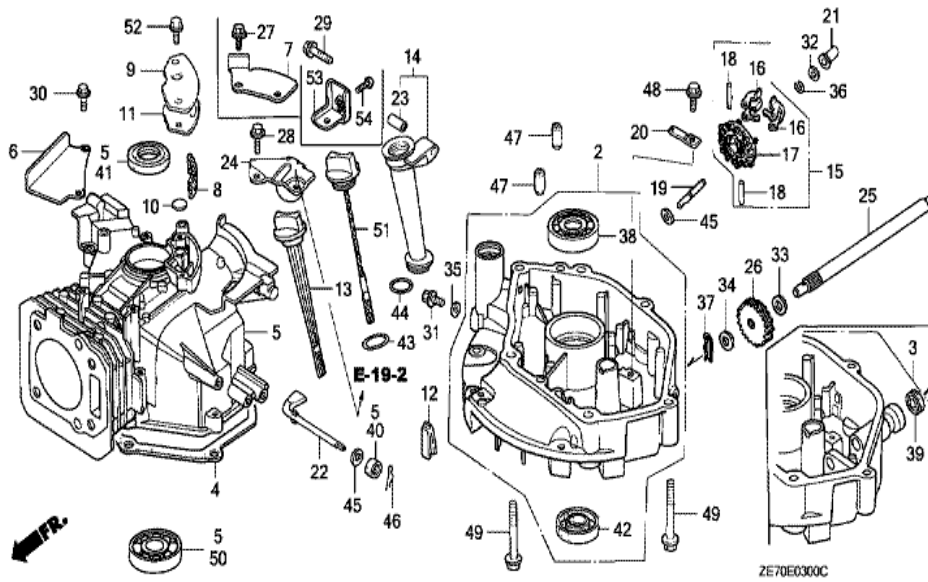


Ref	Partnumber	Description	GXV160K1	Serial Numbers
021	87135-ZE2-000	LABEL, E-SPEC (HONDA) (EPA STANDARD) (15	1	2066925 2072722
021	87135-ZE2-010	LABEL, E-SPEC (EPA STANDARD) (15.5X60.0)	1	2072723 2089842
021	87135-ZE2-020	LABEL, E-SPEC (15.5X27.5)	1	2089843



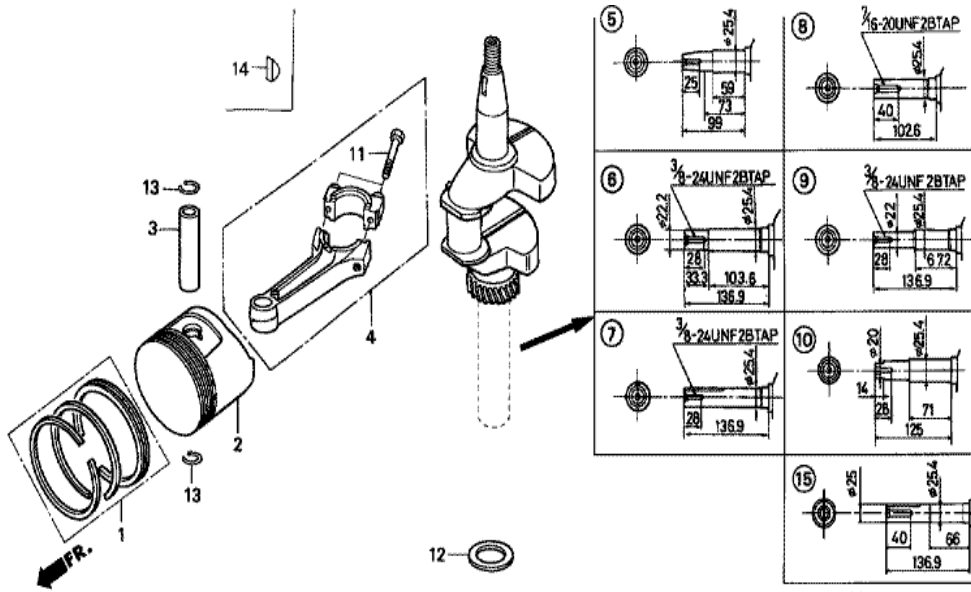
ZE70-E2801

Ref	Partnumber	Description	GXV160K1	Serial Numbers
001	87101-ZE7-W00	EMBLEM (GXV160 5.5)	1	2002103
003	87101-ZE7-W21	EMBLEM (5.5 OHV)	1	2002104
003	87101-ZE7-W22	EMBLEM (5.5 OHV)	1	2083603
006	99004-21003	WRENCH, BOX (P21)	1	



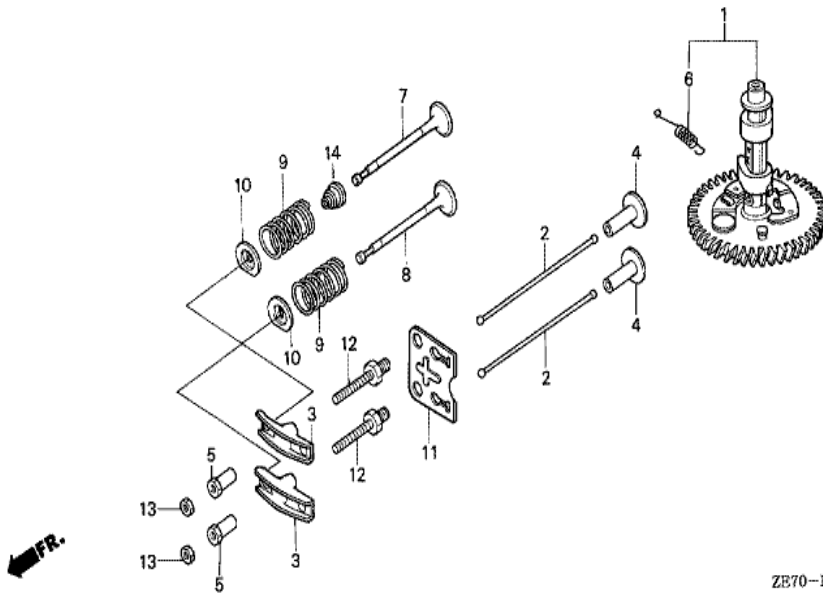
Ref	Partnumber	Description	GXV160K1	Serial Numbers
002	11300-ZE7-408	PAN ASSY., OIL	1	
004	11381-ZE7-M10	PACKING, OIL PAN	1	
005	12000-ZE7-405	BARREL ASSY., CYLINDER	1	2065855
005	12000-ZE7-W00	BARREL ASSY., CYLINDER	1	2065854
006	12125-ZE7-000	PLATE, GUIDE	1	
007	12126-ZE7-W00	PLATE A, GUIDE	1	
008	12367-883-003	FILTER, BREATHER	1	
009	12370-ZE7-000	COVER COMP., BREATHER	1	
010	12372-ZE7-000	VALVE, BREATHER	1	
011	12373-ZE7-000	PACKING, BREATHER COVER	1	
012	15335-ZE7-000	RUBBER, OIL RETURN	1	
013	15620-ZE6-810	GAUGE COMP., OIL LEVEL	1	1174114
014	15630-ZE6-810	EXTENSION, OIL FILLER	1	1174114

<u>Ref</u>	<u>Partnumber</u>	<u>Description</u>	<u>GXV160K1</u>	<u>Serial Numbers</u>
015	16510-ZE6-000	GOVERNOR ASSY.	1	
016	16511-ZE1-000	WEIGHT, GOVERNOR	2	
017	16512-ZE6-000	HOLDER, GOVERNOR WEIGHT	1	
018	16513-ZE1-000	PIN, GOVERNOR WEIGHT	2	
019	16515-ZE6-000	SHAFT, GOVERNOR HOLDER	1	
019	16515-ZE6-010	SHAFT, GOVERNOR HOLDER	1	2083653
020	16525-ZE6-010	PLATE, GOVERNOR SHAFT HOLDER	1	
021	16531-ZE1-000	SLIDER, GOVERNOR	1	
022	16541-ZE7-000	SHAFT, GOVERNOR ARM	1	
023	17240-ZE6-000	COLLAR, EXTENSION	1	
027	90013-883-000	BOLT, FLANGE, 6X12 (CT200)	2	
029	90017-883-000	BOLT, FLANGE, 6X32 (CT200)	1	
030	90022-888-010	BOLT, FLANGE, 6X20 (CT200)	2	
031	90131-ZE1-000	BOLT, DRAIN PLUG	1	1152219
032	90451-898-000	WASHER, THRUST, 6MM	1	
032	90451-ZE1-000	WASHER, THRUST, 6MM	1	2083653
035	90601-ZE1-000	WASHER, DRAIN PLUG, 10.2MM	1	1152219
036	90602-ZE1-000	CLIP, GOVERNOR HOLDER	1	
040	91231-891-003	OIL SEAL, 6X11X4 (ARAI)	1	
041	91252-888-003	OIL SEAL, 25X38X7 (ARAI)	1	
042	91252-894-004	OIL SEAL, 25.4X40X7	1	
043	91301-ZE9-003	O-RING, 22.1X2.2	1	
044	91301-805-000	O-RING, 26X2.7	1	
045	94101-06800	WASHER, PLAIN, 6MM	2	
046	94251-08000	PIN, LOCK, 8MM	1	
047	94301-08140	DOWEL PIN, 8X14	2	
048	95701-0601208	BOLT, FLANGE, 6X12	1	
049	95701-0805000	BOLT, FLANGE, 8X50	6	
050	96100-6205000	BEARING, RADIAL BALL, 6205	1	
052	90014-952-000	BOLT, FLANGE, 6X14 (CT200)	2	



ZE70-E0760C

Ref	Partnumber	Description	GXV160K1	Serial Numbers
001	13010-ZF1-023	RING SET, PISTON (STD.) (TEIKOKU)	1	1149119
001	13010-ZF1-024	RING SET, PISTON (STD.) (NIPPON)	1	
001	13010-ZL0-003	RING SET, PISTON (STD.) (TEIKOKU)	1	2068162
001	13010-ZL0-004	RING SET, PISTON (STD.) (NIPPON)	1	2068162
001	13011-ZF1-023	RING SET, PISTON (0.25) (TEIKOKU)	(1)	1149119
001	13011-ZF1-024	RING SET, PISTON (0.25) (NIPPON)	(1)	
001	13011-ZL0-003	RING SET, PISTON (0.25) (TEIKOKU)	(1)	2068162
001	13011-ZL0-004	RING SET, PISTON (0.25) (NIPPON)	(1)	2068162
001	13012-ZF1-023	RING SET, PISTON (0.50) (TEIKOKU)	(1)	1149119
001	13012-ZF1-024	RING SET, PISTON (0.50) (NIPPON)	(1)	
001	13012-ZL0-003	RING SET, PISTON (0.50) (TEIKOKU)	(1)	2068162
001	13012-ZL0-004	RING SET, PISTON (0.50) (NIPPON)	(1)	2068162
001	13013-ZF1-023	RING SET, PISTON (0.75) (TEIKOKU)	(1)	1149119
Ref	Partnumber	Description	GXV160K1	Serial Numbers
001	13013-ZF1-024	RING SET, PISTON (0.75) (NIPPON)	(1)	
001	13013-ZL0-003	RING SET, PISTON (0.75) (TEIKOKU)	(1)	2068162
001	13013-ZL0-004	RING SET, PISTON (0.75) (NIPPON)	(1)	2068162
002	13101-ZE7-010	PISTON (STD.)	1	1149119
002	13101-ZE7-020	PISTON (STD.)	1	2068162
002	13102-ZE7-010	PISTON (0.25)	(1)	
002	13102-ZE7-020	PISTON (0.25)	(1)	2068162
002	13103-ZE7-010	PISTON (0.50)	(1)	
002	13103-ZE7-020	PISTON (0.50)	(1)	2068162
002	13104-ZE7-010	PISTON (0.75)	(1)	1149119
002	13104-ZE7-020	PISTON (0.75)	(1)	2068162
003	13111-ZE1-000	PIN, PISTON	1	
004	13200-ZE7-000	ROD ASSY., CONNECTING	1	
004	13200-ZE7-305	ROD ASSY., CONNECTING (0.25 UNDER SIZE)	(1)	
008	13310-ZE7-661	CRANKSHAFT COMP.	1	1352111
011	90001-ZE1-000	BOLT, CONNECTING ROD	2	
012	90401-ZE7-W00	WASHER, THRUST, 25.6MM	1	
013	90551-ZE1-000	CLIP, PISTON PIN, 18MM	2	



ZE70-E0900A

Ref	Partnumber	Description	GXV160K1	Serial Numbers
001	14100-ZE7-000	CAMSHAFT ASSY.	1	
002	14410-ZE1-010	ROD, PUSH	2	
003	14431-ZE1-000	ARM, VALVE ROCKER	2	
004	14441-ZE1-000	LIFTER, VALVE	2	1363415
004	14441-ZE1-010	LIFTER, VALVE	2	2007291
005	14451-ZE1-013	PIVOT, ROCKER ARM	2	1315994
006	14568-ZE1-000	SPRING, WEIGHT RETURN	1	
007	14711-ZE7-000	VALVE, IN.	1	2068161
007	14711-ZF1-000	VALVE, IN.	1	
008	14721-ZE7-000	VALVE, EX.	1	
009	14751-ZE1-000	SPRING, VALVE	2	
010	14771-ZE1-000	RETAINER, IN. VALVE SPRING	2	
011	14791-ZE1-010	PLATE, PUSH ROD GUIDE	1	
<u>Ref</u>	<u>Partnumber</u>	<u>Description</u>	<u>GXV160K1</u>	<u>Serial Numbers</u>
012	90012-ZE0-010	BOLT, PIVOT, 8MM	2	
013	90206-ZE1-000	NUT, PIVOT ADJUSTING	2	
014	12209-ZE6-003	SEAL, VALVE STEM	1	2068162