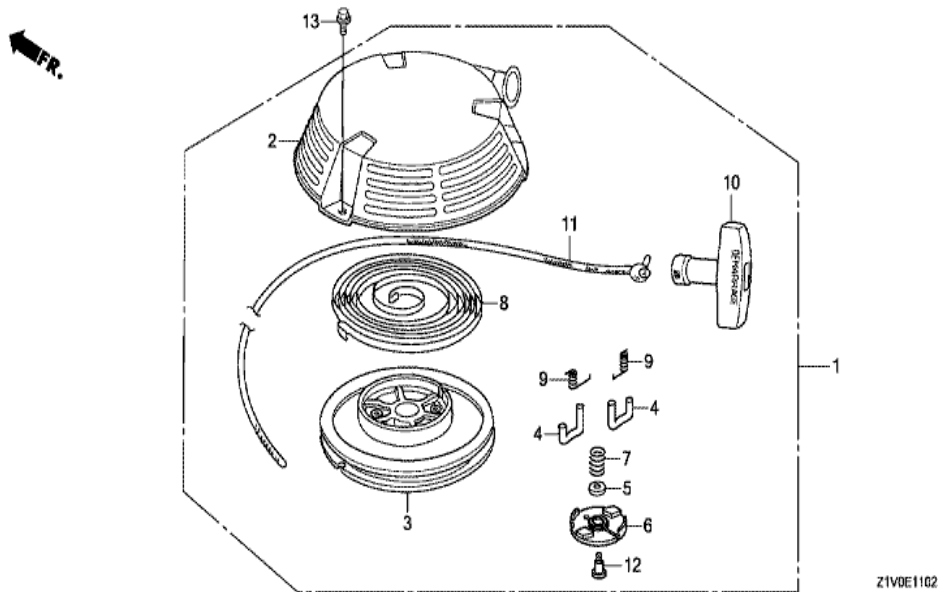


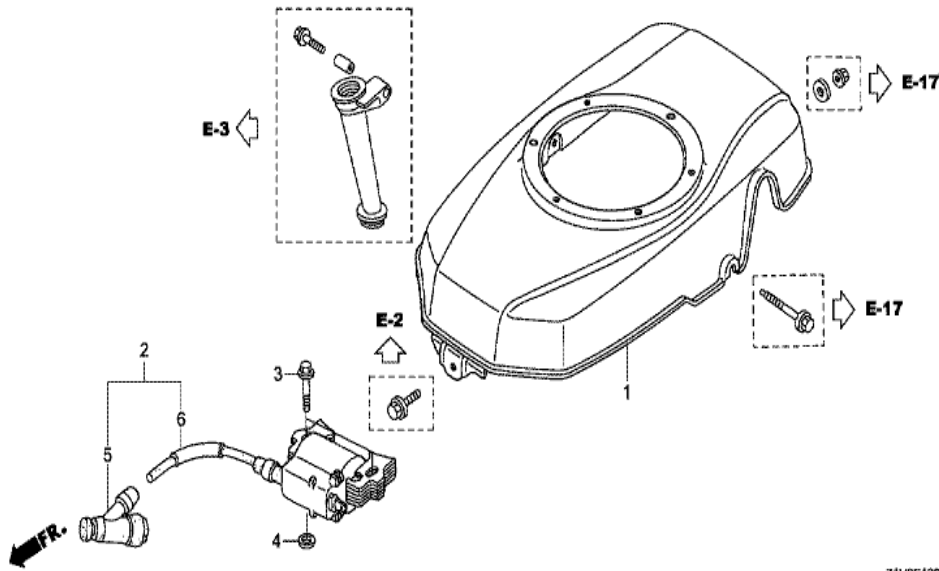
Ref	Partnumber	Description	GXV160H2	Serial Numbers
001	28400-Z1V-802ZA	STARTER ASSY., RECOIL (LONG ROPE) *NH1*	1	
001	28400-Z1V-802ZA	STARTER ASSY., RECOIL (LONG ROPE) *NH1*	1	1916287
001	28400-Z1V-802ZA	STARTER ASSY., RECOIL (LONG ROPE) *NH1*	1	1916287
002	28410-Z1V-003ZB	CASE COMP., RECOIL STARTER *NH1 *	1	1916287
002	28410-Z1V-003ZB	CASE COMP., RECOIL STARTER *NH1 *	1	1916287
002	28410-Z1V-701ZA	CASE COMP., RECOIL STARTER *NH1*	1	1916288 2021761
002	28410-Z1V-701ZA	CASE COMP., RECOIL STARTER *NH1*	1	1916288 2021761
003	28420-Z1V-003	REEL, RECOIL STARTER (BLACK)	1	1916287
003	28420-Z1V-003	REEL, RECOIL STARTER (BLACK)	1	1916287
004	28422-ZH8-801	RATCHET, STARTER	2	1916287
004	28422-ZH8-801	RATCHET, STARTER	2	1916287
005	28431-ZH8-801	PLATE, FRICTION	1	1916287
005	28431-ZH8-801	PLATE, FRICTION	1	1113863

<u>Ref</u>	<u>Partnumber</u>	<u>Description</u>	<u>GXV160H2</u>	<u>Serial Numbers</u>
006	28433-ZH8-801	GUIDE, RATCHET	1	1916287
006	28433-ZH8-801	GUIDE, RATCHET	1	1916287
007	28441-ZH8-801	SPRING, FRICTION	1	1916287
007	28441-ZH8-801	SPRING, FRICTION	1	1916287
008	28442-ZH8-003	SPRING, RECOIL STARTER	1	2021761
008	28442-ZH8-003	SPRING, RECOIL STARTER	1	1113863 2019698
009	28443-ZH8-801	SPRING, RETURN	2	1916287
009	28443-ZH8-801	SPRING, RETURN	2	1916287
010	28461-ZE1-013	KNOB, RECOIL STARTER	1	2021761
010	28461-ZE1-013	KNOB, RECOIL STARTER	1	2021761
012	28462-Z1V-801	ROPE, RECOIL STARTER (LONG) (2360MM)	1	1916287
012	28462-Z1V-801	ROPE, RECOIL STARTER (LONG) (2360MM)	1	1916287
012	28462-Z1V-811	ROPE, RECOIL STARTER (LONG TYPE)	1	1916288 2021761
012	28462-Z1V-811	ROPE, RECOIL STARTER (LONG TYPE)	1	1916288 2021761
013	90003-ZH8-801	SCREW, SETTING	1	1916287
013	90003-ZH8-801	SCREW, SETTING	1	1916287
014	95701-0600800	BOLT, FLANGE, 6X8	3	2021761
014	95701-0600800	BOLT, FLANGE, 6X8	3	1113863 2019698
015	28400-Z1V-811ZA	STARTER ASSY., RECOIL (LONG ROPE) *NH1*	1	1916288 2021761
015	28400-Z1V-811ZA	STARTER ASSY., RECOIL (LONG ROPE) *NH1*	1	1916288 2021761
016	28422-Z1T-701	RATCHET, STARTER	2	1916288 2021761
016	28422-Z1T-701	RATCHET, STARTER	2	1916288 2021761
019	28443-Z1T-701	SPRING, RETURN	2	1916288 2021761
019	28443-Z1T-701	SPRING, RETURN	2	1916288 2021761
021	06280-Z1V-305	STARTER SET, RECOIL	1	1915343 2019698
021	06280-Z1V-305	STARTER SET, RECOIL	1	1916288 2021761



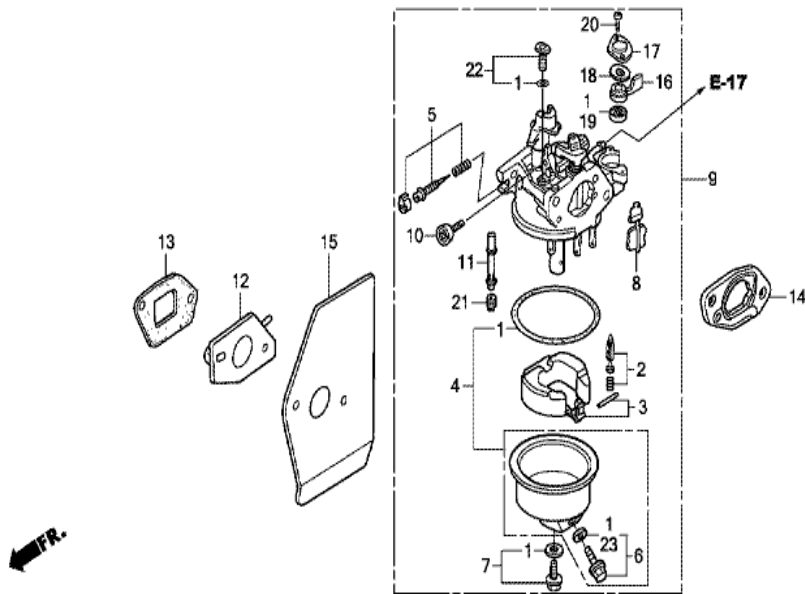
Z1VDE1162

<u>Ref</u>	<u>Partnumber</u>	<u>Description</u>	<u>GXV160H2</u>	<u>Serial Numbers</u>
001	28400-Z1V-812ZA	STARTER ASSY., RECOIL (LONG ROPE) *NH1*	1	2021762
001	28400-Z1V-812ZA	STARTER ASSY., RECOIL (LONG ROPE) *NH1*	1	2021762
002	28410-Z1V-701ZA	CASE COMP., RECOIL STARTER *NH1*	1	2021762
003	28420-Z1V-702	REEL, RECOIL STARTER (BLACK)	1	2019699
003	28420-Z1V-702	REEL, RECOIL STARTER (BLACK)	1	2021762
004	28422-Z1T-701	RATCHET, STARTER	2	2019699
004	28422-Z1T-701	RATCHET, STARTER	2	2021762
005	28431-ZH8-801	PLATE, FRICTION	1	2019699
005	28431-ZH8-801	PLATE, FRICTION	1	2021762
006	28433-Z1T-702	GUIDE, RATCHET	1	2019699
006	28433-Z1T-702	GUIDE, RATCHET	1	2021762
007	28441-ZH8-801	SPRING, FRICTION	1	2019699
007	28441-ZH8-801	SPRING, FRICTION	1	2021762
<u>Ref</u>	<u>Partnumber</u>	<u>Description</u>	<u>GXV160H2</u>	<u>Serial Numbers</u>
008	28442-ZH8-003	SPRING, RECOIL STARTER	1	2019699
008	28442-ZH8-003	SPRING, RECOIL STARTER	1	2021762
009	28443-Z1T-701	SPRING, RETURN	2	2019699
009	28443-Z1T-701	SPRING, RETURN	2	2021762
010	28461-ZE1-013	KNOB, RECOIL STARTER	1	2021762
011	28462-Z1V-811	ROPE, RECOIL STARTER (LONG TYPE)	1	2021762
011	28462-Z1V-811	ROPE, RECOIL STARTER (LONG TYPE)	1	2021762
012	90003-ZH8-801	SCREW, SETTING	1	2019699
012	90003-ZH8-801	SCREW, SETTING	1	2021762
013	95701-0600800	BOLT, FLANGE, 6X8	3	2019699
013	95701-0600800	BOLT, FLANGE, 6X8	3	2021762



Z1VDE1260C

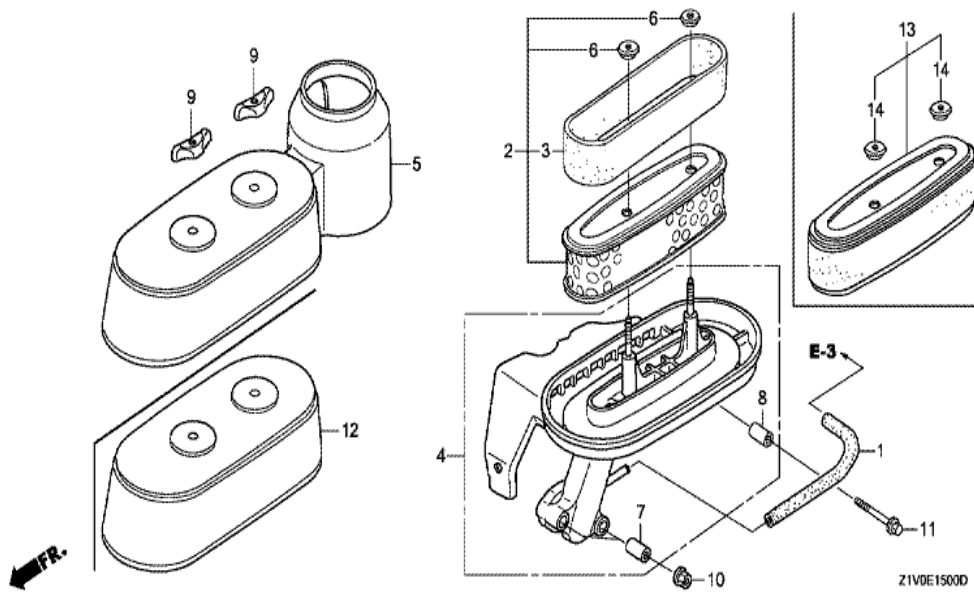
Ref	Partnumber	Description	GXV160H2	Serial Numbers
001	19610-Z1V-000ZB	COVER COMP., FAN *NH1 *	1	
002	30500-Z1V-013	COIL ASSY., IGNITION	1	
003	90015-883-000	BOLT, FLANGE, 6X28 (CT200)	2	
004	90581-Z1V-000	WASHER, PLAIN, 6MM	2	
005	30700-Z1V-003	CAP ASSY., NOISE SUPPRESSOR	1	



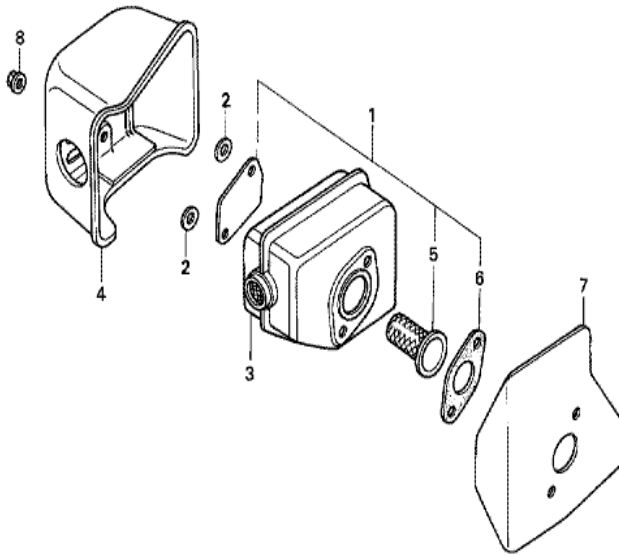
Z1VDE1400C

Ref	Partnumber	Description	GXV160H2	Serial Numbers
001	16010-ZE0-025	GASKET SET	1	
002	16011-ZE0-005	VALVE SET, FLOAT	1	
003	16013-Z0S-B01	FLOAT SET	1	
004	16015-ZE0-831	CHAMBER SET, FLOAT	1	
005	16016-ZH7-W01	SCREW SET, PILOT	1	
006	16024-ZE1-811	SCREW SET, DRAIN	1	
007	16028-ZE0-005	SCREW SET	1	
008	16045-Z1V-G01	CHOKE SET	1	
009	16100-Z1V-801	CARBURETOR ASSY. (BE66N A)	1	
010	16124-ZE0-005	SCREW, THROTTLE STOP	1	
011	16166-Z1V-801	NOZZLE, MAIN	1	
012	16211-ZE7-000	INSULATOR, CARBURETOR	1	
013	16212-Z1V-701	PACKING, INSULATOR (NINGBO SIL GASKET)	1	

<u>Ref</u>	<u>Partnumber</u>	<u>Description</u>	<u>GXV160H2</u>	<u>Serial Numbers</u>
013	16212-Z1V-701	PACKING, INSULATOR (NINGBO SIL GASKET)	1	
013	16212-ZE7-M10	PACKING, INSULATOR	1	
013	16212-ZE7-M10	PACKING, INSULATOR	1	
014	16220-ZE6-010	SPACER COMP., CARBURETOR	1	
015	16221-Z1V-701	PACKING, CARBURETOR (NINGBO SIL GASKET)	1	
015	16221-Z1V-701	PACKING, CARBURETOR (NINGBO SIL GASKET)	1	
015	16221-ZE7-M11	PACKING, CARBURETOR	1	
015	16221-ZE7-M11	PACKING, CARBURETOR	1	
016	16953-ZE1-812	LEVER, COCK	1	
017	16954-ZE1-812	PLATE, LEVER SETTING	1	
018	16956-ZE1-811	SPRING, COCK LEVER	1	
019	16957-ZE1-812	PACKING, FUEL COCK	1	
020	93500-030061H	SCREW, PAN, 3X6	2	
021	99101-ZH80620	JET, MAIN, #62	(1)	
021	99101-ZH80650	JET, MAIN, #65	(1)	
021	99101-ZH80680	JET, MAIN, #68	1	
022	99204-ZE00350	JET SET, PILOT, #35	1	
023	16141-ZOS-003	WASHER, PLAIN (6.2X10.7 DRAIN)	1	
023	16141-ZOS-003	WASHER, PLAIN (6.2X10.7 DRAIN)	1	

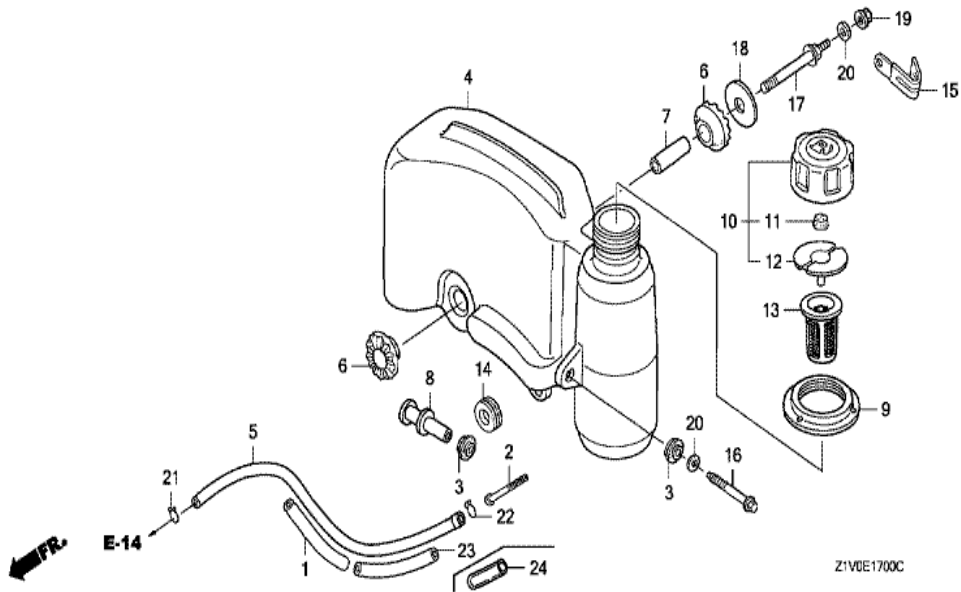


<u>Ref</u>	<u>Partnumber</u>	<u>Description</u>	<u>GXV160H2</u>	<u>Serial Numbers</u>
001	15721-ZE7-000	TUBE, BREATHER	1	
002	17210-Z1V-003	ELEMENT, AIR CLEANER	1	
003	17218-888-003	FILTER, OUTER	1	
004	17220-Z1V-000	CASE COMP., AIR CLEANER	1	1962168
004	17220-Z1V-000	CASE COMP., AIR CLEANER	1	1965377
004	17220-Z1V-010	CASE COMP., AIR CLEANER	1	
004	17220-Z1V-010	CASE COMP., AIR CLEANER	1	1965378
005	17231-Z1V-000	COVER, AIR CLEANER	1	
006	17232-891-000	GROMMET, AIR CLEANER	2	
007	17238-ZE7-710	COLLAR, AIR CLEANER	2	
007	17238-ZE7-710	COLLAR, AIR CLEANER	2	
008	17239-ZE6-300	COLLAR B, AIR CLEANER	1	
008	17239-ZE6-300	COLLAR B, AIR CLEANER	1	
<u>Ref</u>	<u>Partnumber</u>	<u>Description</u>	<u>GXV160H2</u>	<u>Serial Numbers</u>
009	90300-Z1V-000	NUT, AIR CLEANER	2	
009	90300-Z1V-000	NUT, AIR CLEANER	2	
010	94050-06000	NUT, FLANGE, 6MM	2	
011	95701-0603500	BOLT, FLANGE, 6X35	1	

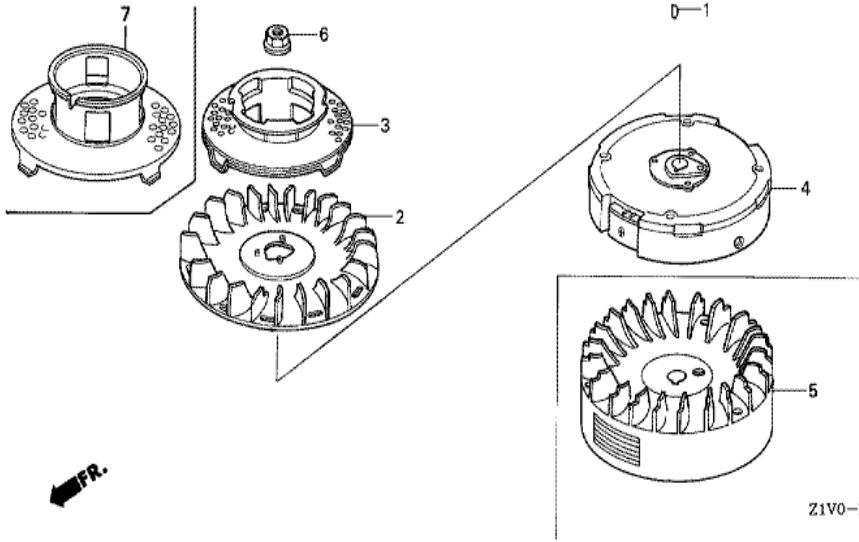


Z1V0-E1800

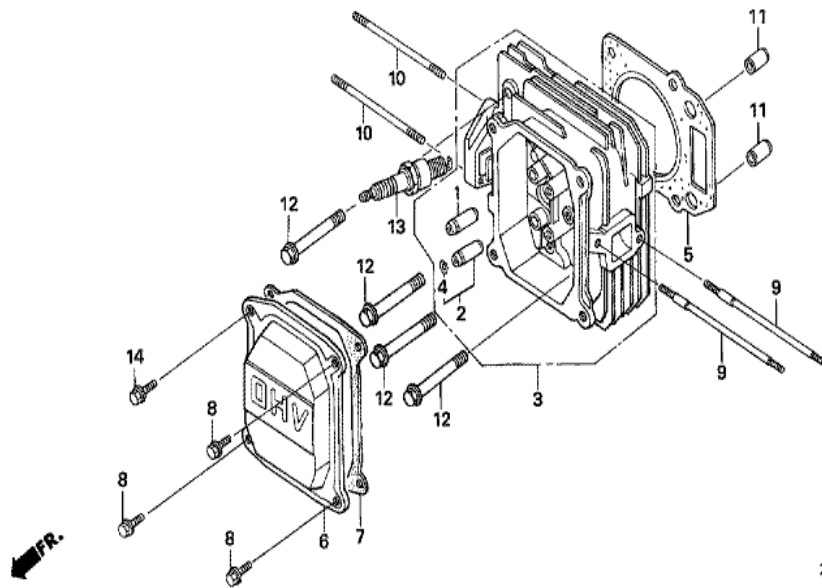
Ref	Partnumber	Description	GXV160H2	Serial Numbers
001	06180-ZE6-820	ARRESTER KIT, SPARK	(1)	
002	18292-ZE7-M10	PACKING, PROTECTOR	2	
003	18310-Z1V-000	MUFFLER COMP.	1	1967027
003	18310-Z1V-010	MUFFLER COMP.	1	
003	18310-Z1V-010	MUFFLER COMP.	1	1967028
004	18320-Z1V-010	PROTECTOR COMP., MUFFLER	1	
005	18355-888-810	ARRESTER, SPARK	(1)	
006	18381-ZE6-820	GASKET, MUFFLER	(1)	
006	18382-Z1V-701	GASKET, MUFFLER (NINGBO SIL GASKET)	1	
007	18381-Z1V-000	GASKET, MUFFLER	1	
008	90343-ZE6-000	NUT, SELF-LOCK, 6MM	2	



Ref	Partnumber	Description	GXV160H2	Serial Numbers
001	16854-ZH8-000	RUBBER, SUPPORTER (107MM)	1	
002	16952-Z1V-000	STRAINER, FUEL	1	
003	17506-ZE7-000	RUBBER, TANK SETTING	2	
004	17510-Z1V-010	TANK COMP., FUEL	1	
005	17512-ZE7-010	TUBE, FUEL	1	
006	17516-896-700	RUBBER B, TANK MOUNTING	2	
007	17518-Z1V-000	COLLAR, TANK SET	1	
008	17519-Z1V-000	COLLAR COMP., TANK	1	
009	17532-Z1V-000	RUBBER, TANK MOUNTING	1	
010	17620-Z1V-000	CAP ASSY., FUEL TANK	1	
011	17622-888-010	SPONGE, FUEL CAP BREATHER	1	
012	17624-ZE7-000	PACKING, FUEL CAP	1	
013	17636-Z1V-010	GAUGE, FUEL LEVEL	1	
Ref	Partnumber	Description	GXV160H2	Serial Numbers
014	80103-MG2-000	CUSHION, RR. FENDER	1	
016	90014-Z1V-000	BOLT, FLANGE, 6X47 (CT200)	1	
017	90016-Z1V-000	BOLT, TANK STAY	1	
018	90455-896-700	WASHER, TANK MOUNTING	1	
019	94050-06000	NUT, FLANGE, 6MM	1	
020	94103-06000	WASHER, PLAIN, 6MM	2	
021	95002-02080	CLIP, TUBE (B8)	1	
022	95002-70000	CLIP, TUBE (C11)	1	
024	95003-2500320	TUBE, VINYL, 9X11X30 (95003-25001-10M)	1	

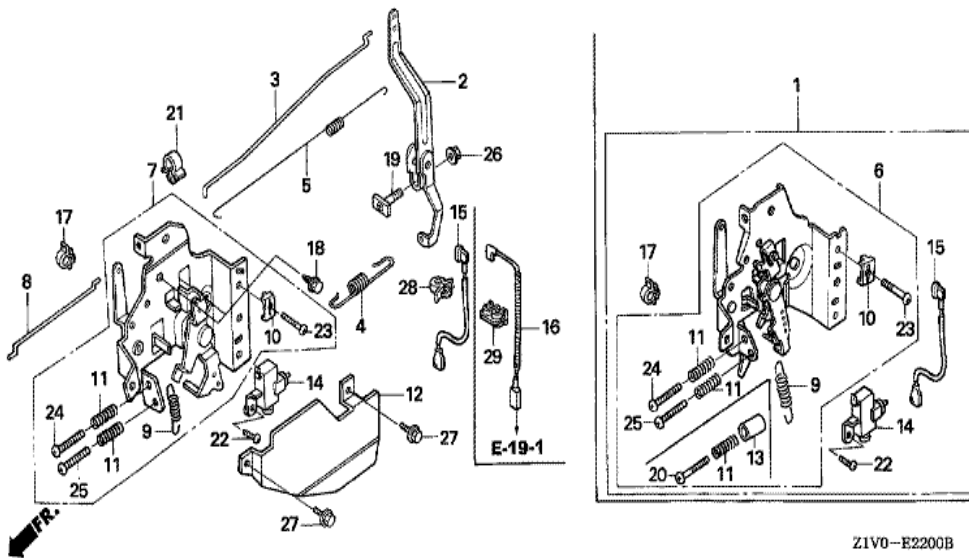


Ref	Partnumber	Description	GXV160H2	Serial Numbers
001	13331-357-000	KEY, SPECIAL WOODRUFF, 25X18	1	
002	19511-Z1T-000	FAN, COOLING	1	
003	28450-Z1V-700	PULLEY COMP., STARTER	1	1916288
004	31110-Z1V-003	FLYWHEEL COMP.	1	
006	90201-Z1T-000	NUT, SPECIAL, 14MM	1	
007	28450-Z1V-000	PULLEY COMP., STARTER	1	1916287
007	28450-Z1V-000	PULLEY COMP., STARTER	1	1113863



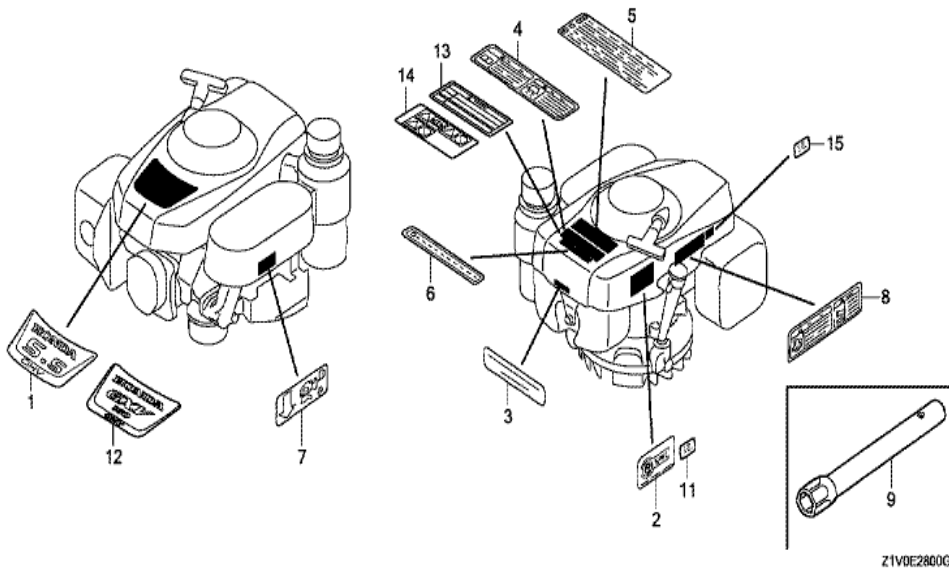
Z1V0-E0200C

Ref	Partnumber	Description	GXV160H2	Serial Numbers
001	12204-ZE1-306	GUIDE, IN. VALVE (OS)	1	
002	12205-ZE1-315	GUIDE, EX. VALVE (OS)	1	
003	12200-ZE7-405	HEAD COMP., CYLINDER	1	
004	12216-ZE5-300	CLIP, VALVE GUIDE	1	
005	12251-Z1V-003	GASKET, CYLINDER HEAD (GUANGZHOU LEAKLES	1	
005	12251-Z1V-701	GASKET, CYLINDER HEAD (NINGBO SIL GASKET	1	
005	12251-Z1V-701	GASKET, CYLINDER HEAD (NINGBO SIL GASKET	1	
006	12311-ZG9-800	COVER, HEAD	1	
007	12312-Z1V-701	PACKING, HEAD COVER (NINGBO SIL GASKET)	1	
007	12312-Z1V-701	PACKING, HEAD COVER (NINGBO SIL GASKET)	1	
007	12391-ZE7-M10	PACKING, HEAD COVER	1	
007	12391-ZE7-M10	PACKING, HEAD COVER	1	
008	90014-952-000	BOLT, FLANGE, 6X14 (CT200)	3	
Ref	Partnumber	Description	GXV160H2	Serial Numbers
009	90043-ZE6-000	BOLT, STUD, 6X109	2	
010	90048-ZC3-000	BOLT, STUD, 6X85	2	
011	94301-10160	DOWEL PIN, 10X16	2	
012	95701-0805000	BOLT, FLANGE, 8X50	4	
013	98079-55846	PLUG, SPARK (BPR5ES) (NGK)	1	
013	98079-55855	PLUG, SPARK (W16EPR-U) (DENSO)	1	
013	98079-56846	PLUG, SPARK (BPR6ES) (NGK)	(1)	
013	98079-56855	PLUG, SPARK (W20EPR-U) (DENSO)	(1)	
014	90014-952-000	BOLT, FLANGE, 6X14 (CT200)	1	



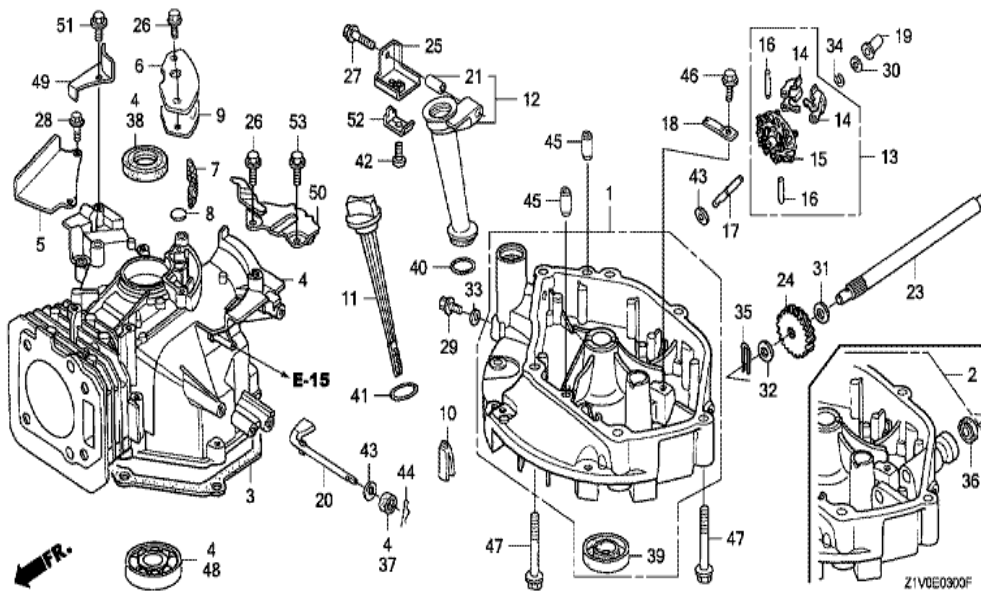
Z1V0-E2200B

<u>Ref</u>	<u>Partnumber</u>	<u>Description</u>	<u>GXV160H2</u>	<u>Serial Numbers</u>
001	16500-ZE7-W31	CONTROL ASSY.	1	
002	16551-ZE7-000	ARM, GOVERNOR	1	
003	16555-ZE7-000	ROD, GOVERNOR	1	
004	16561-ZE7-711	SPRING, GOVERNOR	1	
005	16562-ZE6-000	SPRING, THROTTLE RETURN	1	
006	16570-ZE7-W10	CONTROL COMP.	1	
008	16573-ZE7-000	ROD, CHOKE	1	
009	16576-ZE7-300	SPRING, LEVER	1	
010	16576-891-000	HOLDER, CABLE	1	
011	16584-883-300	SPRING, CONTROL ADJUSTING	2	
012	16585-ZE7-000	PROTECTOR, CONTROL	1	
013	16599-ZG1-M10	COLLAR, STOPPER	1	
014	36100-ZE7-013	SWITCH ASSY., ENGINE STOP	1	
<u>Ref</u>	<u>Partnumber</u>	<u>Description</u>	<u>GXV160H2</u>	<u>Serial Numbers</u>
015	36101-ZE7-020	CORD, STOP SWITCH	1	
015	36101-ZE7-020	CORD, STOP SWITCH	1	
017	36103-ZE1-000	HOLDER, STOP SWITCH CORD	1	
018	90013-883-000	BOLT, FLANGE, 6X12 (CT200)	2	
019	90015-ZE5-010	BOLT, GOVERNOR ARM	1	
020	90016-ZE7-W00	SCREW, RECESSED, 5X28	1	
021	90659-Z1V-003	CLIP, HARNESS	1	
022	93500-040080A	SCREW, PAN, 4X8	1	
023	93500-050160A	SCREW, PAN, 5X16	1	
024	93500-050200A	SCREW, PAN, 5X20	1	
026	94050-06000	NUT, FLANGE, 6MM	1	
027	95701-0601000	BOLT, FLANGE, 6X10	2	
028	46392-Z1V-003	CLAMP, HARNESS	1	



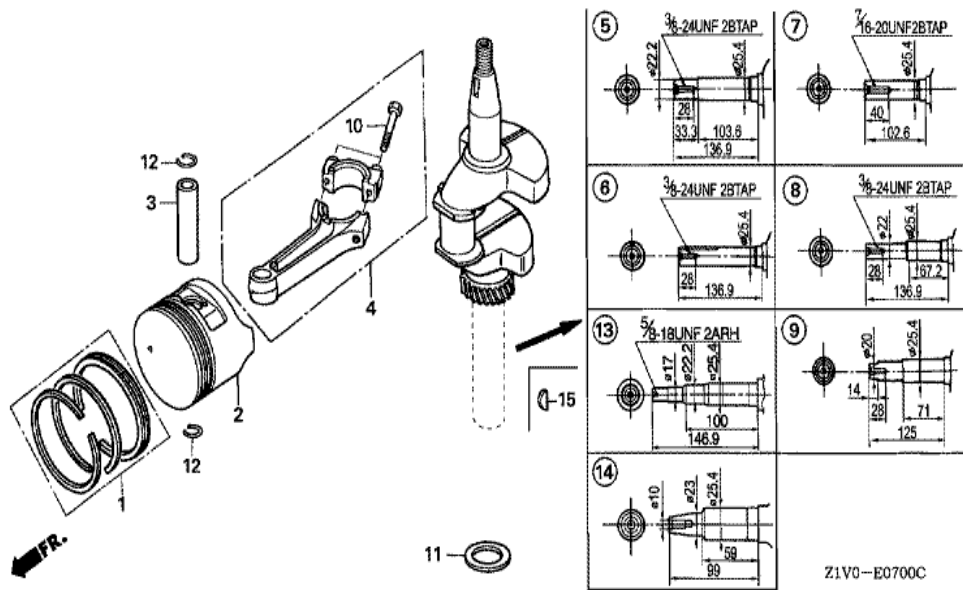
Z1V0E2800G

Ref	Partnumber	Description	GXV160H2	Serial Numbers
003	87504-Z1V-000	MARK, MANUFACTURER	1	
004	87520-Z1V-000	MARK A, COMBINATION (JAPANESE)	1	
007	87524-Z1V-000	MARK, FUEL COCK CAUTION	1	
008	87526-Z1V-000	MARK B, COMBINATION (JAPANESE)	1	
009	99004-21002	WRENCH, BOX (P21)	1	
011	87114-ZH7-000	LABEL, WARNING (NOT CERTIFIED FOR SALE)	1	
012	87101-Z1V-020	MARK, EMBLEM (GXV160)	1	



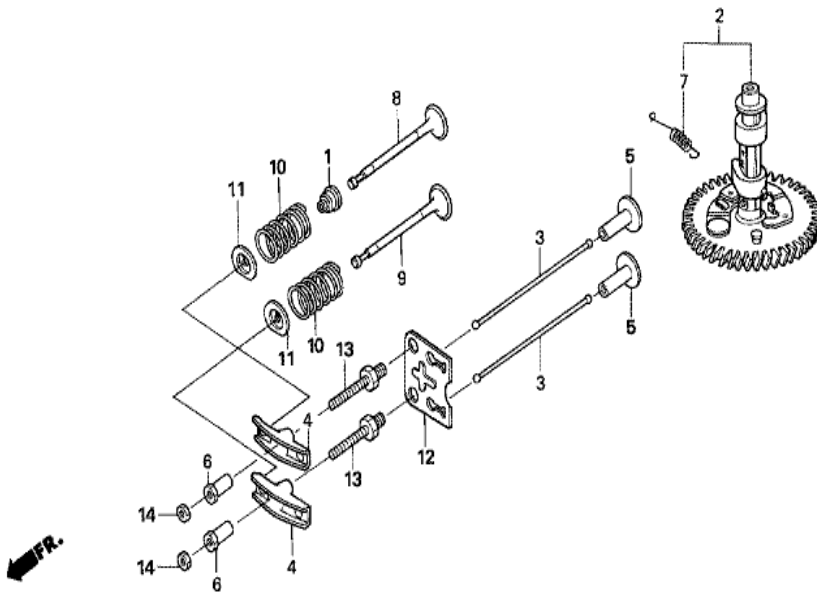
Ref	Partnumber	Description	GXV160H2	Serial Numbers
001	11300-Z1V-409	PAN ASSY., OIL	1	
003	11381-Z1V-701	PACKING, OIL PAN (NINGBO SIL GASKET)	1	
003	11381-Z1V-701	PACKING, OIL PAN (NINGBO SIL GASKET)	1	
003	11381-ZE7-M10	PACKING, OIL PAN	1	
003	11381-ZE7-M10	PACKING, OIL PAN	1	
004	12000-Z2J-405	BARREL ASSY., CYLINDER	1	
005	12125-Z1V-000	PLATE, GUIDE	1	
006	12355-Z1V-000	COVER COMP., BREATHER	1	
007	12367-883-003	FILTER, BREATHER	1	
008	12372-ZE7-000	VALVE, BREATHER	1	
009	12373-ZE7-000	PACKING, BREATHER COVER	1	
010	15335-ZE7-000	RUBBER, OIL RETURN	1	
011	15620-ZE6-810	GAUGE COMP., OIL LEVEL	1	

<u>Ref</u>	<u>Partnumber</u>	<u>Description</u>	<u>GXV160H2</u>	<u>Serial Numbers</u>
012	15630-ZE6-810	EXTENSION, OIL FILLER	1	
013	16510-ZE6-000	GOVERNOR ASSY.	1	
014	16511-ZE1-000	WEIGHT, GOVERNOR	2	
015	16512-ZE6-000	HOLDER, GOVERNOR WEIGHT	1	
016	16513-ZE1-000	PIN, GOVERNOR WEIGHT	2	
017	16515-ZE6-010	SHAFT, GOVERNOR HOLDER	1	
018	16525-ZE6-010	PLATE, GOVERNOR SHAFT HOLDER	1	
019	16531-Z1T-000	SLIDER, GOVERNOR	1	
020	16541-ZE7-000	SHAFT, GOVERNOR ARM	1	
021	17240-ZE6-000	COLLAR, EXTENSION	1	
026	90014-952-000	BOLT, FLANGE, 6X14 (CT200)	3	
027	90017-883-000	BOLT, FLANGE, 6X32 (CT200)	1	
028	90022-888-010	BOLT, FLANGE, 6X20 (CT200)	2	
029	90131-ZE1-000	BOLT, DRAIN PLUG	1	
030	90451-ZE1-000	WASHER, THRUST, 6MM	1	
030	90451-ZE1-000	WASHER, THRUST, 6MM	1	
033	90601-ZE1-000	WASHER, DRAIN PLUG, 10.2MM	1	
034	90602-ZE1-000	CLIP, GOVERNOR HOLDER	1	
037	91231-Z1V-003	OIL SEAL, 6X11X4 (ARAI)	1	
038	91251-Z1V-003	OIL SEAL, 25X38X7 (ARAI)	1	
039	91252-Z1V-003	OIL SEAL, 25.4X40X7	1	
040	91301-Z1V-003	O-RING, 22.1X2.2	1	
041	91302-Z1V-003	O-RING, 25.5X3	1	
043	94101-06800	WASHER, PLAIN, 6MM	2	
044	94251-08000	PIN, LOCK, 8MM	1	
045	94301-08140	DOWEL PIN, 8X14	2	
046	95701-0601208	BOLT, FLANGE, 6X12	1	
047	95701-0805000	BOLT, FLANGE, 8X50	6	
048	96100-6205000	BEARING, RADIAL BALL, 6205	1	
049	12126-Z1V-000	PLATE A, GUIDE	1	
050	17560-Z1V-000	STAY COMP., TANK	1	
051	90013-883-000	BOLT, FLANGE, 6X12 (CT200)	1	
053	90014-952-000	BOLT, FLANGE, 6X14 (CT200)	1	



Ref	Partnumber	Description	GXV160H2	Serial Numbers
001	13010-Z1T-701	RING SET, PISTON (STD.) (FUJIAN DONGYA M		1
001	13010-Z1T-701	RING SET, PISTON (STD.) (FUJIAN DONGYA M		1
001	13010-Z4K-004	RING SET, PISTON (STD.) (TPR)		1
001	13010-Z4K-004	RING SET, PISTON (STD.) (TPR)		1
001	13010-Z4P-003	RING SET, PISTON (STD.) (RIKEN)		1
001	13010-Z4P-003	RING SET, PISTON (STD.) (RIKEN)		1
001	13011-Z1T-701	RING SET, PISTON (0.25) (FUJIAN DONGYA M	(1)	
001	13011-Z1T-701	RING SET, PISTON (0.25) (FUJIAN DONGYA M	(1)	
001	13011-Z4K-004	RING SET, PISTON (0.25) (TPR)	(1)	
001	13011-Z4K-004	RING SET, PISTON (0.25) (TPR)	(1)	
001	13011-Z4P-003	RING SET, PISTON (0.25) (RIKEN)	(1)	
001	13011-Z4P-003	RING SET, PISTON (0.25) (RIKEN)	(1)	
001	13012-Z1T-701	RING SET, PISTON (0.50) (FUJIAN DONGYA M	(1)	

<u>Ref</u>	<u>Partnumber</u>	<u>Description</u>	<u>GXV160H2</u>	<u>Serial Numbers</u>
001	13012-Z1T-701	RING SET, PISTON (0.50) (FUJIAN DONGYA M		(1)
001	13012-Z4K-004	RING SET, PISTON (0.50) (TPR)		(1)
001	13012-Z4K-004	RING SET, PISTON (0.50) (TPR)		(1)
001	13012-Z4P-003	RING SET, PISTON (0.50) (RIKEN)		(1)
001	13012-Z4P-003	RING SET, PISTON (0.50) (RIKEN)		(1)
001	13013-Z1T-701	RING SET, PISTON (0.75) (FUJIAN DONGYA M		(1)
001	13013-Z1T-701	RING SET, PISTON (0.75) (FUJIAN DONGYA M		(1)
001	13013-Z4K-004	RING SET, PISTON (0.75) (TPR)		(1)
001	13013-Z4K-004	RING SET, PISTON (0.75) (TPR)		(1)
001	13013-Z4P-003	RING SET, PISTON (0.75) (RIKEN)		(1)
001	13013-Z4P-003	RING SET, PISTON (0.75) (RIKEN)		(1)
002	13101-Z1T-010	PISTON (STD.) (JIALING-HONDA)		1
002	13101-ZH8-020	PISTON (STD.)		1
002	13102-ZH8-020	PISTON (0.25)		(1)
002	13103-ZH8-020	PISTON (0.50)		(1)
002	13104-ZH8-020	PISTON (0.75)		(1)
003	13111-Z1T-000	PIN, PISTON		1
004	13200-Z1V-000	ROD ASSY., CONNECTING		1
009	13310-ZE7-771	CRANKSHAFT COMP.		1
010	90001-ZE1-000	BOLT, CONNECTING ROD		2
010	90001-ZE1-000	BOLT, CONNECTING ROD		2
011	90401-ZE7-W00	WASHER, THRUST, 25.6MM		1
012	90551-ZE1-000	CLIP, PISTON PIN, 18MM		2



Z1V0-E0900A

<u>Ref</u>	<u>Partnumber</u>	<u>Description</u>	<u>GXV160H2</u>	<u>Serial Numbers</u>
001	12209-ZE6-003	SEAL, VALVE STEM	1	
002	14100-ZE7-770	CAMSHAFT ASSY.	1	
003	14410-ZE1-010	ROD, PUSH	2	
004	14431-ZE1-000	ARM, VALVE ROCKER	2	
005	14441-ZE1-010	LIFTER, VALVE	2	
006	14451-Z7E-000	PIVOT, ROCKER ARM	2	
007	14568-ZE1-000	SPRING, WEIGHT RETURN	1	
008	14711-ZF1-000	VALVE, IN.	1	
009	14721-ZE7-000	VALVE, EX.	1	
010	14751-ZE1-000	SPRING, VALVE	2	
011	14771-ZE1-000	RETAINER, IN. VALVE SPRING	2	
012	14791-ZE1-010	PLATE, PUSH ROD GUIDE	1	
013	90012-ZE0-010	BOLT, PIVOT, 8MM	2	
<u>Ref</u>	<u>Partnumber</u>	<u>Description</u>	<u>GXV160H2</u>	<u>Serial Numbers</u>
014	90206-ZE1-000	NUT, PIVOT ADJUSTING	2	