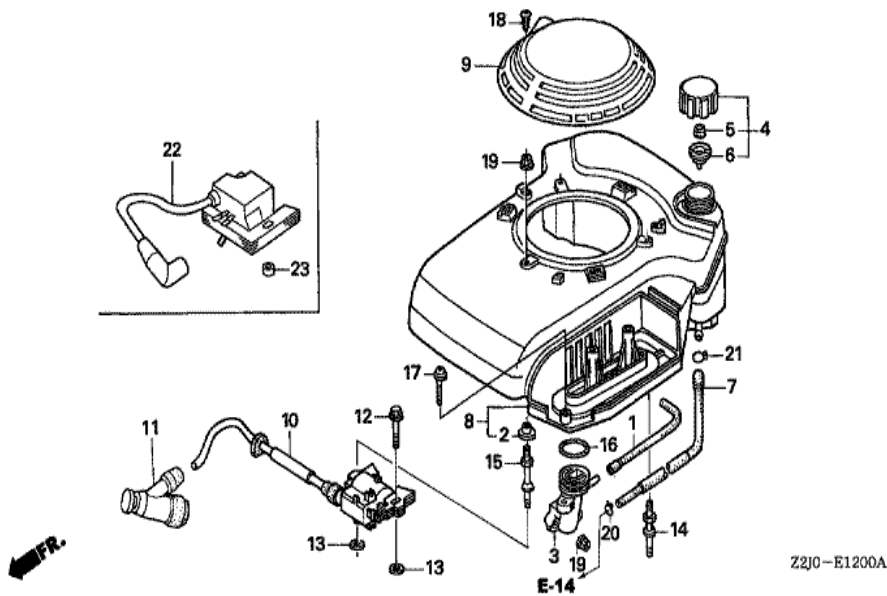
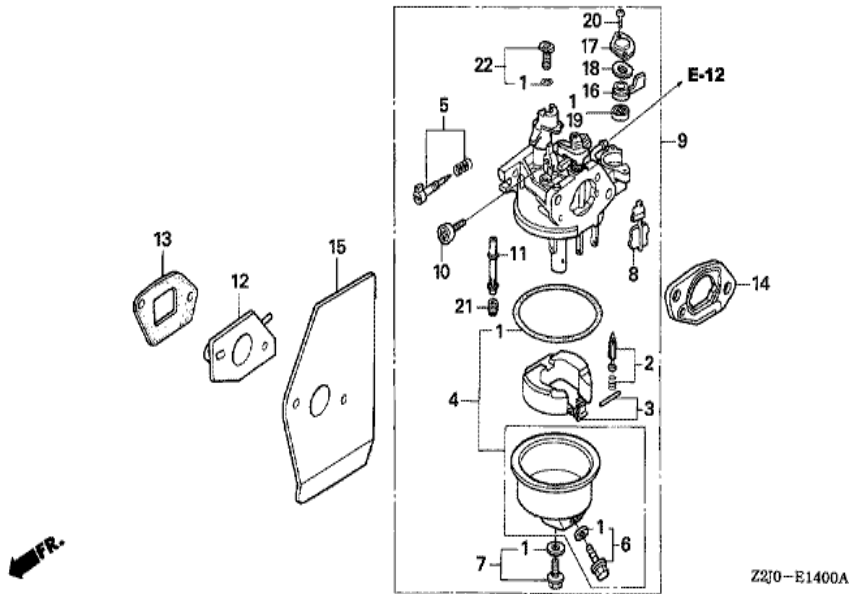


Ref	Partnumber	Description	GXV160A1	Serial Numbers
001	28400-ZG9-803	STARTER ASSY., RECOIL	1	
002	28402-ZG9-802	HOUSING ASSY.	1	
003	28415-ZG9-802	PULLEY & SPRING ASSY.	1	
004	28419-ZG9-802	PIN, CENTER	1	
005	28431-ZG9-802	PLATE A, FRICTION	1	
006	28432-ZG9-802	PLATE B, FRICTION	1	
007	28441-ZG9-802	SPRING, FRICTION	1	
008	28444-ZG9-802	RETAINER	1	
009	28461-ZE6-T02	HANDLE	1	
010	28462-ZG9-802	ROPE, RECOIL STARTER	1	
011	28463-ZE6-T02	HANDLE, REINFORCEMENT	1	
012	28485-ZE6-T02	DOG	2	
013	28486-ZE6-T02	SPRING, DOG	2	

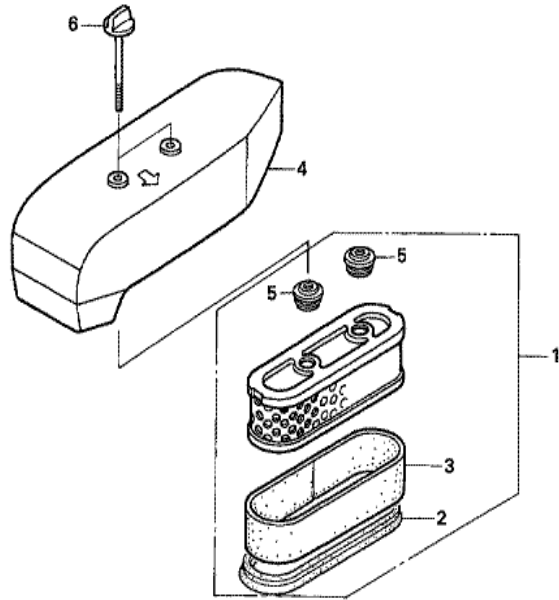


<u>Ref</u>	<u>Partnumber</u>	<u>Description</u>	<u>GXV160A1</u>	<u>Serial Numbers</u>
001	15721-ZE7-000	TUBE, BREATHER	1	
002	17216-PE2-003	COLLAR, AIR CLEANER (TOYO ROKI)	3	
003	17410-ZE7-W00	ELBOW COMP., AIR CLEANER	1	
004	17620-ZE7-000	CAP ASSY., FUEL TANK	1	
005	17622-888-010	SPONGE, FUEL CAP BREATHER	1	
006	17624-ZE7-000	PACKING, FUEL CAP	1	
007	17700-ZE7-W00	TUBE ASSY., FUEL TANK	1	
008	19610-ZE7-W01ZA	COVER COMP., FAN *NH1 *	1	
009	19615-ZG9-801ZA	HOOD, FAN COVER (GRAINED FINISH) *NH1 *	1	
010	30500-ZE7-043	COIL ASSY., IGNITION	1	
011	30700-ZE6-023	CAP ASSY., NOISE SUPPRESSOR	1	
012	90015-883-000	BOLT, FLANGE, 6X28 (CT200)	1	
013	90581-GB5-610	WASHER, PLAIN, 6MM	2	
<u>Ref</u>	<u>Partnumber</u>	<u>Description</u>	<u>GXV160A1</u>	<u>Serial Numbers</u>
014	90041-ZE7-W00	BOLT, STUD (A)	2	
015	90042-ZE7-W00	BOLT, STUD (IGNITION COIL)	1	
016	91301-ZG9-800	O-RING, 33.3X3.5	1	
017	93891-0603510	SCREW-WASHER, 6X35	1	
018	93913-24580	SCREW, TAPPING, 4X20	1	
019	94050-06000	NUT, FLANGE, 6MM	5	
020	95002-02080	CLIP, TUBE (B8)	1	
021	95002-50000	CLIP, TUBE (C9)	1	



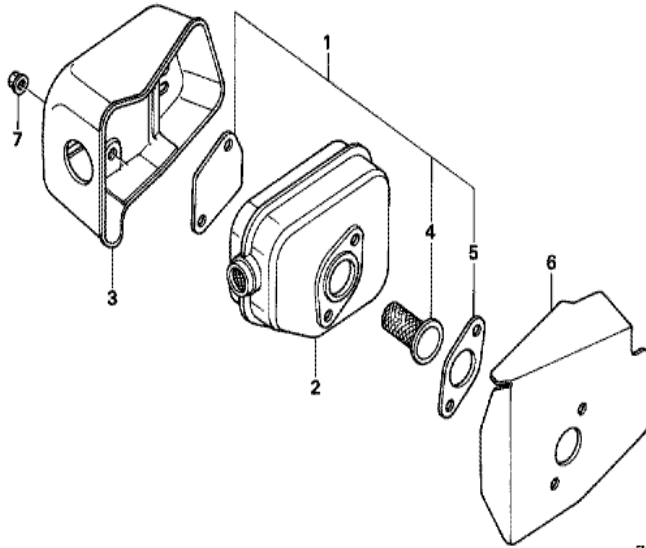
Z210-E1400A

<u>Ref</u>	<u>Partnumber</u>	<u>Description</u>	<u>GXV160A1</u>	<u>Serial Numbers</u>
001	16010-ZE0-025	GASKET SET	1	
002	16011-ZE0-005	VALVE SET, FLOAT	1	
003	16013-ZE0-005	FLOAT SET	1	
004	16015-ZE0-831	CHAMBER SET, FLOAT	1	
005	16016-ZH7-W01	SCREW SET, PILOT	1	
006	16024-ZE1-811	SCREW SET, DRAIN	1	
007	16028-ZE0-005	SCREW SET	1	
008	16045-ZE7-005	CHOKE SET	1	
009	16100-ZE7-W21	CARBURETOR ASSY. (BE66C B)	1	
010	16124-ZE0-005	SCREW, THROTTLE STOP	1	
011	16166-ZE7-W10	NOZZLE, MAIN	1	
012	16211-ZE7-000	INSULATOR, CARBURETOR	1	
013	16212-ZE7-M10	PACKING, INSULATOR	1	
<u>Ref</u>	<u>Partnumber</u>	<u>Description</u>	<u>GXV160A1</u>	<u>Serial Numbers</u>
014	16220-ZE6-010	SPACER COMP., CARBURETOR	1	
015	16221-ZE7-M11	PACKING, CARBURETOR	1	
016	16953-ZE1-812	LEVER, COCK	1	
017	16954-ZE1-812	PLATE, LEVER SETTING	1	
018	16956-ZE1-811	SPRING, COCK LEVER	1	
019	16957-ZE1-812	PACKING, FUEL COCK	1	
020	93500-030061H	SCREW, PAN, 3X6	2	
021	99101-ZH80600	JET, MAIN, #60	(1)	
021	99101-ZH80620	JET, MAIN, #62	(1)	
021	99101-ZH80650	JET, MAIN, #65	1	
022	99204-ZE00350	JET SET, PILOT, #35	1	



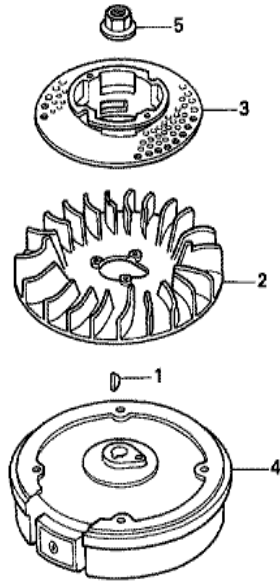
Z2J0-E1500A

Ref	Partnumber	Description	GXV160A1	Serial Numbers
001	17211-ZE7-W03	ELEMENT, AIR CLEANER (TOYO)	1	
002	17217-ZE7-W00	PACKING, ELEMENT	1	
003	17218-ZE7-W02	FILTER, OUTER	1	
004	17231-ZE7-W00ZA	COVER, AIR CLEANER *NH1 *	1	
005	17232-ZE7-W00	GROMMET, AIR CLEANER	2	
006	90004-ZE7-W00	BOLT, AIR CLEANER (6X73)	2	



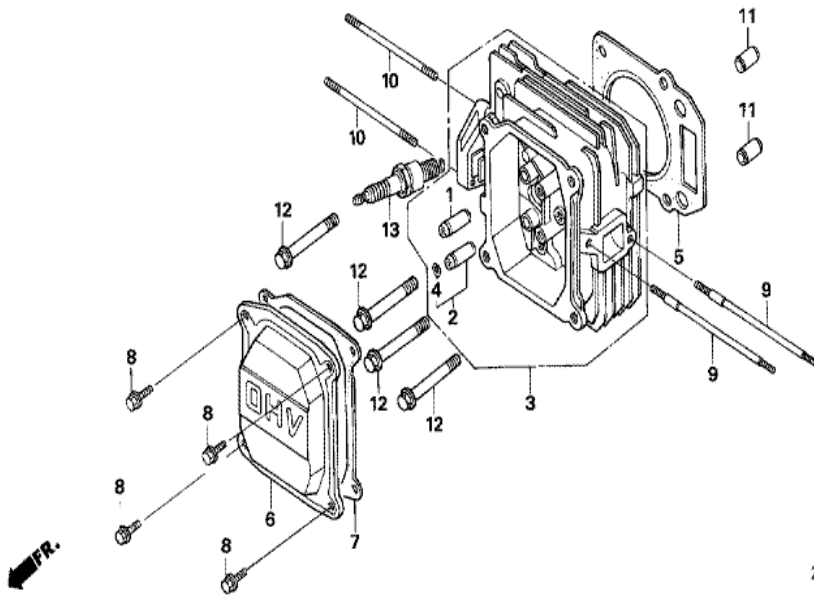
Z2J0-E1600

Ref	Partnumber	Description	GXV160A1	Serial Numbers
001	06180-ZE6-820	ARRESTER KIT, SPARK	(1)	
002	18310-ZG9-J01	MUFFLER COMP.	1	
003	18320-ZG9-M01	PROTECTOR COMP., MUFFLER	1	
004	18355-888-810	ARRESTER, SPARK	(1)	
005	18381-ZE6-820	GASKET, MUFFLER	(1)	
006	18381-ZG9-M00	GASKET, MUFFLER	1	
007	90343-ZE6-000	NUT, SELF-LOCK, 6MM	2	



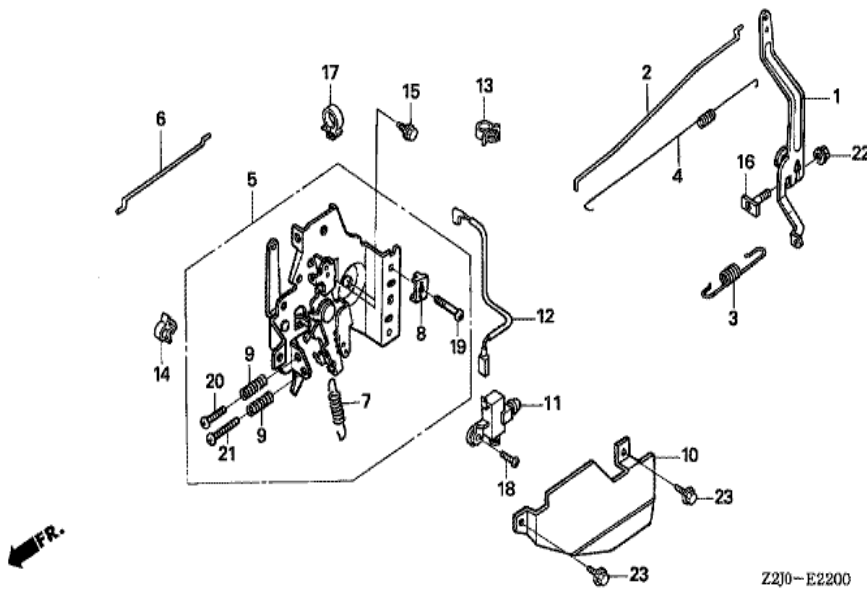
Z2J0--E1900

Ref	Partnumber	Description	GXV160A1	Serial Numbers
001	13331-357-000	KEY, SPECIAL WOODRUFF, 25X18	1	
002	19511-ZE1-000	FAN, COOLING	1	
003	28451-ZE7-W00	PULLEY COMP., STARTER	1	
004	31100-ZE7-010	FLYWHEEL COMP. (STD.)	1	
005	90201-878-003	NUT, SPECIAL, 14MM	1	



Z2J0-E0200

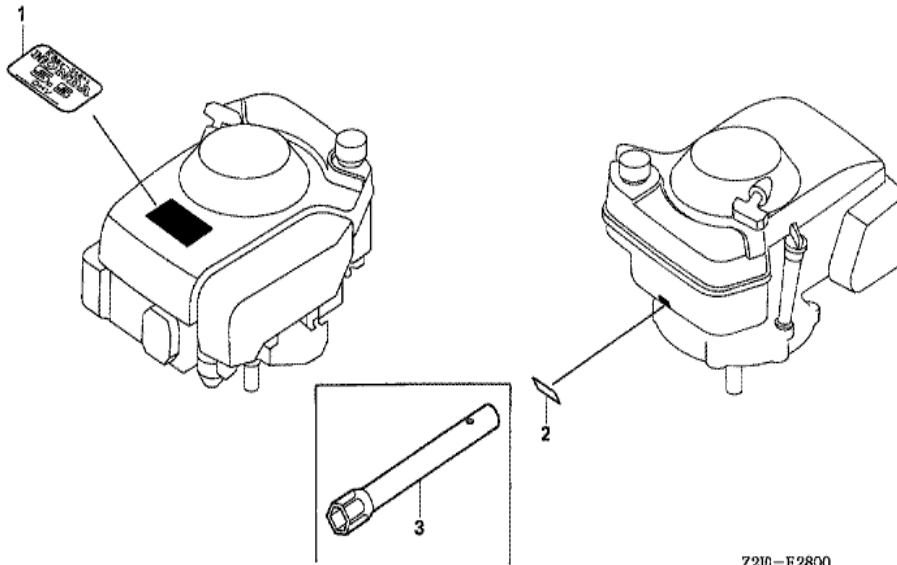
<u>Ref</u>	<u>Partnumber</u>	<u>Description</u>	<u>GXV160A1</u>	<u>Serial Numbers</u>
001	12204-ZE1-306	GUIDE, IN. VALVE (OS)	(1)	
002	12205-ZE1-315	GUIDE, EX. VALVE (OS)	(1)	
003	12210-Z1V-000	HEAD COMP., CYLINDER	1	
004	12216-ZE5-300	CLIP, VALVE GUIDE	1	
005	12251-ZE7-000	GASKET, CYLINDER HEAD	1	
006	12311-ZG9-800	COVER, HEAD	1	
007	12391-ZE7-T00	PACKING, HEAD COVER	1	
008	90013-883-000	BOLT, FLANGE, 6X12 (CT200)	4	
009	90043-ZE6-000	BOLT, STUD, 6X109	2	
010	90048-ZC3-000	BOLT, STUD, 6X85	2	
011	94301-10160	DOWEL PIN, 10X16	2	
012	95701-0805000	BOLT, FLANGE, 8X50	4	
013	98079-54846	PLUG, SPARK (BPR4ES) (NGK)	(1)	
<u>Ref</u>	<u>Partnumber</u>	<u>Description</u>	<u>GXV160A1</u>	<u>Serial Numbers</u>
013	98079-54855	PLUG, SPARK (W14EPR-U) (DENSO)	(1)	
013	98079-55846	PLUG, SPARK (BPR5ES) (NGK)	1	
013	98079-55855	PLUG, SPARK (W16EPR-U) (DENSO)	1	
013	98079-56846	PLUG, SPARK (BPR6ES) (NGK)	(1)	
013	98079-56855	PLUG, SPARK (W20EPR-U) (DENSO)	(1)	



Z2J0-E2200

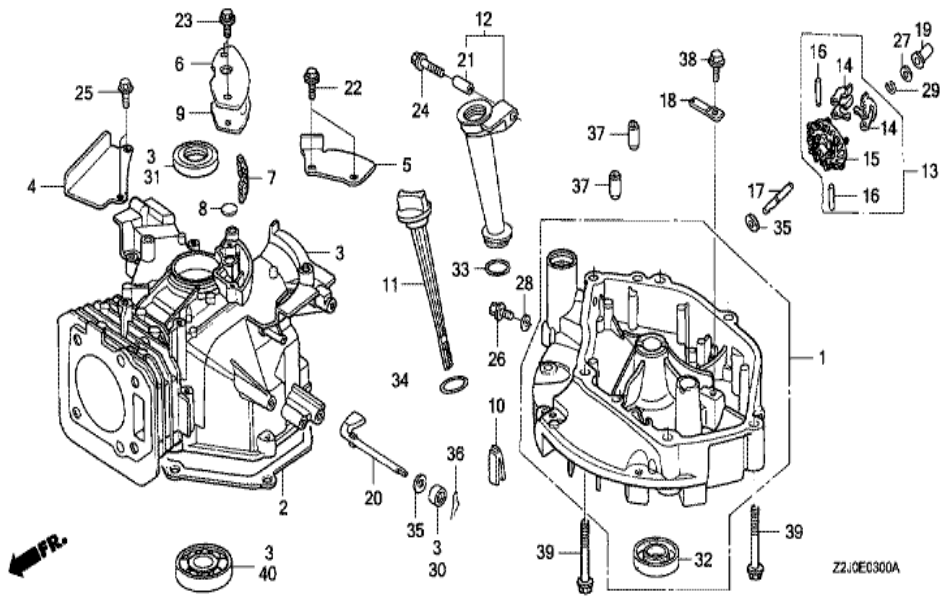
<u>Ref</u>	<u>Partnumber</u>	<u>Description</u>	<u>GXV160A1</u>	<u>Serial Numbers</u>
001	16551-ZE7-000	ARM, GOVERNOR	1	
002	16555-ZE7-000	ROD, GOVERNOR	1	
003	16561-ZE7-020	SPRING, GOVERNOR	1	
004	16562-ZE6-000	SPRING, THROTTLE RETURN	1	
005	16570-ZE7-020	CONTROL ASSY.	1	
006	16573-ZE7-000	ROD, CHOKE	1	
007	16576-ZE7-300	SPRING, LEVER	1	
008	16576-891-000	HOLDER, CABLE	1	
009	16584-883-300	SPRING, CONTROL ADJUSTING	2	
010	16585-ZE7-000	PROTECTOR, CONTROL	1	
011	36100-ZE7-013	SWITCH ASSY., ENGINE STOP	1	
012	36101-ZE7-020	CORD, STOP SWITCH	1	
013	46392-SC2-003	CLAMP, BRAKE PIPE (GRAY)	1	
<u>Ref</u>	<u>Partnumber</u>	<u>Description</u>	<u>GXV160A1</u>	<u>Serial Numbers</u>
014	36103-ZE1-000	HOLDER, STOP SWITCH CORD	1	
015	90013-883-000	BOLT, FLANGE, 6X12 (CT200)	2	
016	90015-ZE5-010	BOLT, GOVERNOR ARM	1	
017	90659-680-013	CLIP, WIRE HARNESS	1	
018	93500-040080A	SCREW, PAN, 4X8	1	
019	93500-050160A	SCREW, PAN, 5X16	1	
020	93500-050200A	SCREW, PAN, 5X20	1	
021	93500-050280A	SCREW, PAN, 5X28	1	
022	94050-06000	NUT, FLANGE, 6MM	1	
023	95701-0601000	BOLT, FLANGE, 6X10	2	





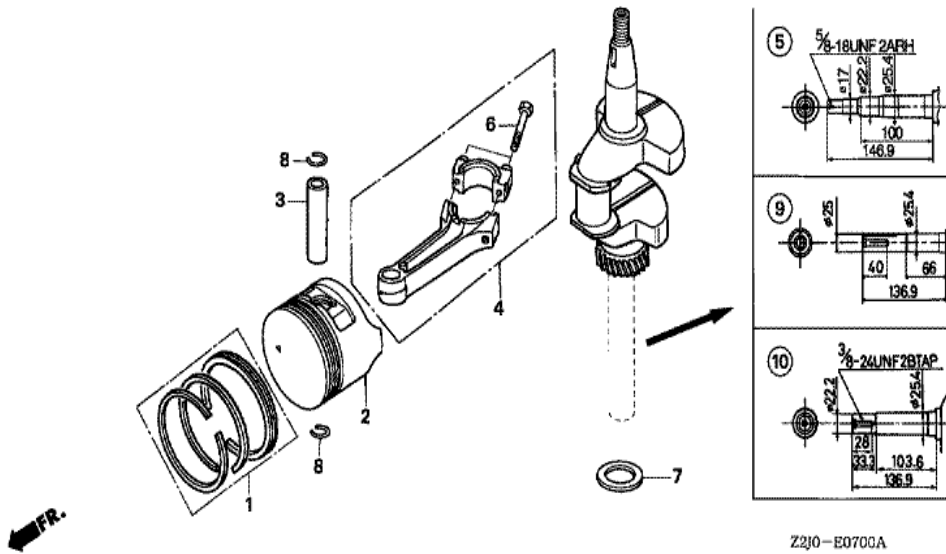
Z210-E2800

Ref	Partnumber	Description	GXV160A1	Serial Numbers
001	87101-ZE7-W31	EMBLEM (5.5)	1	
002	87601-ZE7-V20	MARK, TYPE (T1AH)	1	
003	99004-21003	WRENCH, BOX (P21)	1	



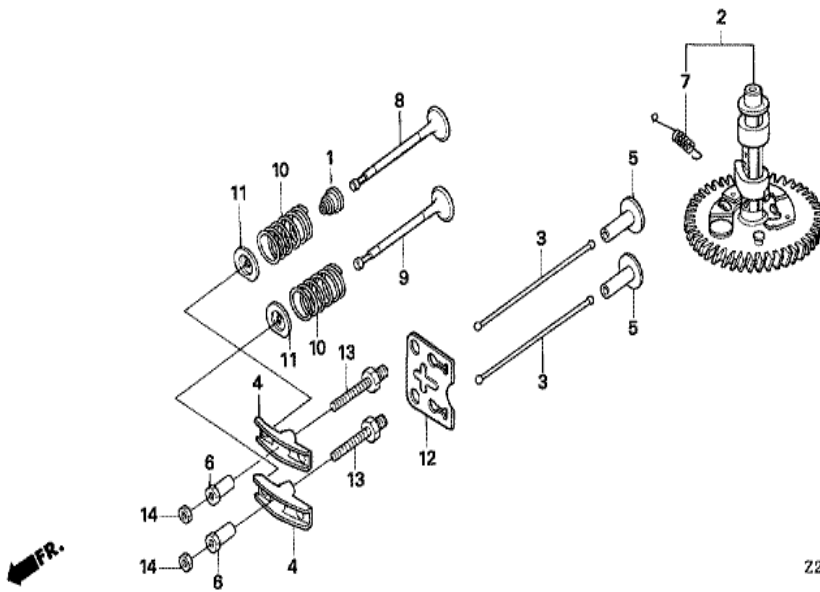
Ref	Partnumber	Description	GXV160A1	Serial Numbers
001	11300-Z1V-000	PAN ASSY., OIL	1	
002	11381-ZE7-M10	PACKING, OIL PAN	1	
003	12000-Z2J-000	BARREL ASSY., CYLINDER	1	
004	12125-ZE7-000	PLATE, GUIDE	1	
005	12126-ZE7-W00	PLATE A, GUIDE	1	
006	12355-Z1V-000	COVER COMP., BREATHER	1	
007	12367-883-003	FILTER, BREATHER	1	
008	12372-ZE7-000	VALVE, BREATHER	1	
009	12373-ZE7-000	PACKING, BREATHER COVER	1	
010	15335-ZE7-000	RUBBER, OIL RETURN	1	
011	15620-ZE6-810	GAUGE COMP., OIL LEVEL	1	
012	15630-ZE6-810	EXTENSION, OIL FILLER	1	
013	16510-ZE6-000	GOVERNOR ASSY.	1	

<u>Ref</u>	<u>Partnumber</u>	<u>Description</u>	<u>GXV160A1</u>	<u>Serial Numbers</u>
014	16511-ZE1-000	WEIGHT, GOVERNOR	2	
015	16512-ZE6-000	HOLDER, GOVERNOR WEIGHT	1	
016	16513-ZE1-000	PIN, GOVERNOR WEIGHT	2	
017	16515-ZE6-010	SHAFT, GOVERNOR HOLDER	1	
018	16525-ZE6-010	PLATE, GOVERNOR SHAFT HOLDER	1	
019	16531-Z1T-000	SLIDER, GOVERNOR	1	
020	16541-ZE7-000	SHAFT, GOVERNOR ARM	1	
021	17240-ZE6-000	COLLAR, EXTENSION	1	
022	90013-883-000	BOLT, FLANGE, 6X12 (CT200)	2	
023	90014-952-000	BOLT, FLANGE, 6X14 (CT200)	2	
024	90017-883-000	BOLT, FLANGE, 6X32 (CT200)	1	
025	90022-888-010	BOLT, FLANGE, 6X20 (CT200)	2	
026	90131-ZE1-000	BOLT, DRAIN PLUG	1	
027	90451-Z1T-000	WASHER, THRUST, 6MM	1	
028	90601-ZE1-000	WASHER, DRAIN PLUG, 10.2MM	1	
029	90602-ZE1-000	CLIP, GOVERNOR HOLDER	1	
030	91231-Z1V-003	OIL SEAL, 6X11X4 (ARAI)	1	
031	91251-Z1V-003	OIL SEAL, 25X38X7 (ARAI)	1	
032	91252-Z1V-003	OIL SEAL, 25.4X40X7	1	
033	91301-ZE9-003	O-RING, 22.1X2.2	1	
034	91301-805-000	O-RING, 26X2.7	1	
035	94101-06800	WASHER, PLAIN, 6MM	2	
036	94251-08000	PIN, LOCK, 8MM	1	
037	94301-08140	DOWEL PIN, 8X14	2	
038	95701-0601208	BOLT, FLANGE, 6X12	1	
039	95701-0805000	BOLT, FLANGE, 8X50	6	
040	96100-6205000	BEARING, RADIAL BALL, 6205	1	



Z210-E0700A

Ref	Partnumber	Description	GXV160A1	Serial Numbers
001	13010-ZL0-003	RING SET, PISTON (STD.) (TEIKOKU)	1	
001	13010-ZL0-004	RING SET, PISTON (STD.) (NIPPON)	1	
001	13011-ZL0-003	RING SET, PISTON (0.25) (TEIKOKU)	(1)	
001	13011-ZL0-004	RING SET, PISTON (0.25) (NIPPON)	(1)	
001	13012-ZL0-003	RING SET, PISTON (0.50) (TEIKOKU)	(1)	
001	13012-ZL0-004	RING SET, PISTON (0.50) (NIPPON)	(1)	
001	13013-ZL0-003	RING SET, PISTON (0.75) (TEIKOKU)	(1)	
001	13013-ZL0-004	RING SET, PISTON (0.75) (NIPPON)	(1)	
002	13101-Z1T-000	PISTON (STD.) (JIALING-HONDA)	1	
002	13102-ZE7-020	PISTON (0.25)	(1)	
002	13103-ZE7-020	PISTON (0.50)	(1)	
002	13104-ZE7-020	PISTON (0.75)	(1)	
003	13111-Z1T-000	PIN, PISTON	1	
Ref	Partnumber	Description	GXV160A1	Serial Numbers
004	13200-Z1V-000	ROD ASSY., CONNECTING	1	
005	13310-ZE7-V20	CRANKSHAFT COMP.	1	
006	90001-ZE1-000	BOLT, CONNECTING ROD	2	
007	90401-ZE7-W00	WASHER, THRUST, 25.6MM	1	
008	90551-ZE1-000	CLIP, PISTON PIN, 18MM	2	



Z2J0-E0900

<u>Ref</u>	<u>Partnumber</u>	<u>Description</u>	<u>GXV160A1</u>	<u>Serial Numbers</u>
001	12209-ZE6-003	SEAL, VALVE STEM	1	
002	14100-ZE7-000	CAMSHAFT ASSY.	1	
003	14410-ZE1-010	ROD, PUSH	2	
004	14431-ZE1-000	ARM, VALVE ROCKER	2	
005	14441-ZE1-010	LIFTER, VALVE	2	
006	14451-ZE1-013	PIVOT, ROCKER ARM	2	
007	14568-ZE1-000	SPRING, WEIGHT RETURN	1	
008	14711-ZF1-000	VALVE, IN.	1	
009	14721-ZE7-000	VALVE, EX.	1	
010	14751-ZE1-000	SPRING, VALVE	2	
011	14771-ZE1-000	RETAINER, IN. VALVE SPRING	2	
012	14791-ZE1-010	PLATE, PUSH ROD GUIDE	1	
013	90012-ZE0-010	BOLT, PIVOT, 8MM	2	
<u>Ref</u>	<u>Partnumber</u>	<u>Description</u>	<u>GXV160A1</u>	<u>Serial Numbers</u>
014	90206-ZE1-000	NUT, PIVOT ADJUSTING	2	