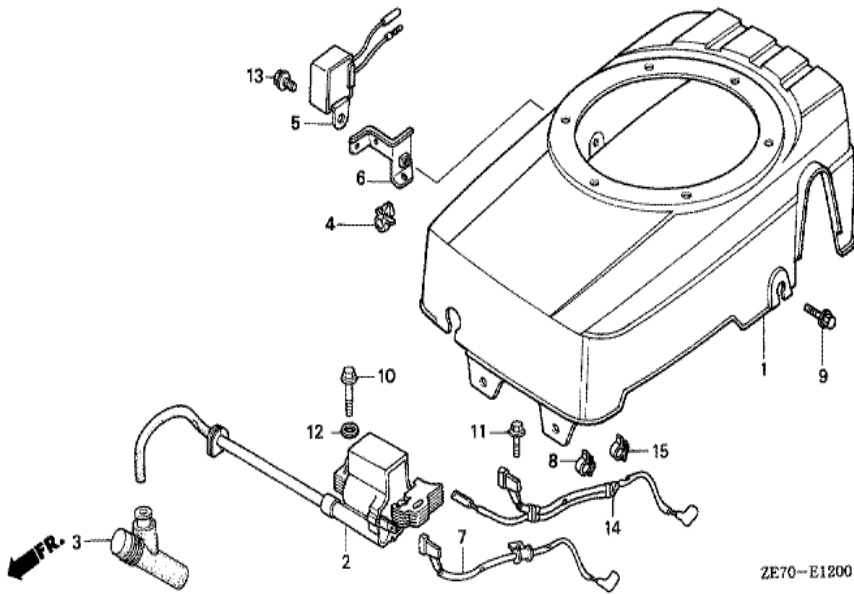
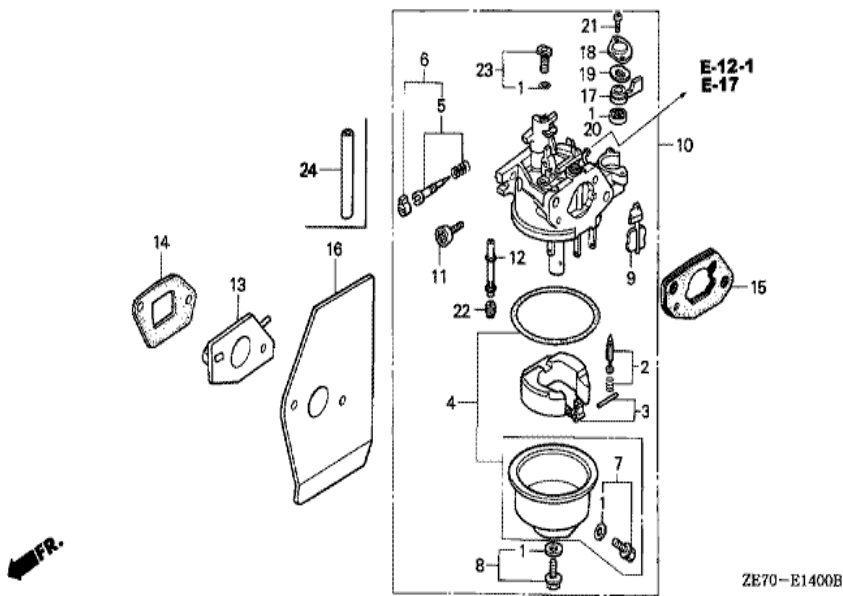


ZE70-E1100

Ref	Partnumber	Description	GXV160	Serial Numbers
001	28400-ZE7-003ZA	STARTER ASSY., RECOIL *R8 *	1	
002	28410-ZE7-003ZA	CASE COMP., RECOIL STARTER *R8 *	1	
003	28420-ZE7-003	PULLEY, RECOIL STARTER	1	
004	28422-896-010	RATCHET, STARTER	1	
005	28431-896-000	PLATE, FRICTION	1	
006	28441-896-000	SPRING, FRICTION	1	
007	28442-896-700	SPRING, RECOIL STARTER	1	
008	28443-896-000	SPRING, RETURN	1	
009	28461-ZE1-003	KNOB, RECOIL STARTER	1	1152219
011	28462-ZA7-003	ROPE, RECOIL STARTER	1	
012	95701-0600800	BOLT, FLANGE, 6X8	3	1330458
013	92101-060120H	BOLT, HEX., 6X12	1	1330459

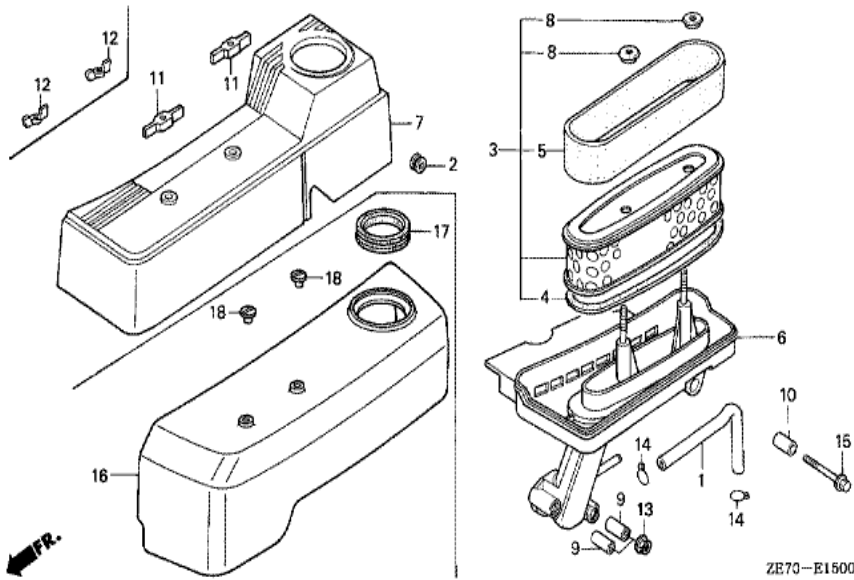


Ref	Partnumber	Description	GXV160	Serial Numbers
001	19610-ZE7-L00ZA	COVER COMP., FAN *R8 *	1	
002	30500-ZE7-033	COIL ASSY., IGNITION	1	
002	30500-ZE7-043	COIL ASSY., IGNITION	1	1368750
003	30700-ZE6-773	TERMINAL ASSY., HIGH TENSION	1	
007	36101-ZE7-020	CORD, STOP SWITCH	1	1352135
008	36103-ZE1-000	HOLDER, STOP SWITCH CORD	1	1352352
009	90014-952-000	BOLT, FLANGE, 6X14 (CT200)	2	
010	90121-952-000	BOLT, FLANGE, 6X25 (CT200)	2	
015	46392-SC2-003	CLAMP, BRAKE PIPE (GRAY)	1	



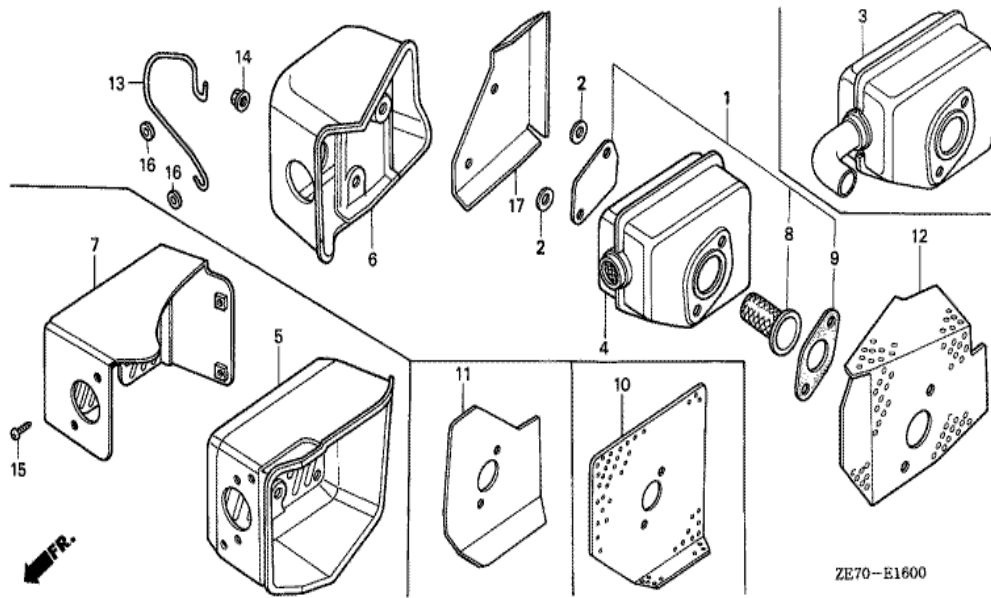
ZE70-E1400B

<u>Ref</u>	<u>Partnumber</u>	<u>Description</u>	<u>GXV160</u>	<u>Serial Numbers</u>
001	16010-ZE0-025	GASKET SET	1	BE40A F
002	16011-ZE0-005	VALVE SET, FLOAT	1	
003	16013-ZE0-005	FLOAT SET	1	
004	16015-ZE0-831	CHAMBER SET, FLOAT	1	
005	16016-ZE0-005	SCREW SET, PILOT	1	
007	16024-ZE1-811	SCREW SET, DRAIN	1	
008	16028-ZE0-005	SCREW SET	1	
009	16045-ZE7-005	CHOKE SET	1	
010	16100-ZE7-055	CARBURETOR ASSY. (BE40A G/H)	1	1346463
011	16124-ZE0-005	SCREW, THROTTLE STOP	1	
012	16166-ZE7-W00	NOZZLE, MAIN	1	BE40A G
013	16211-ZE7-000	INSULATOR, CARBURETOR	1	
014	16212-ZE7-M10	PACKING, INSULATOR	1	1320209
<u>Ref</u>	<u>Partnumber</u>	<u>Description</u>	<u>GXV160</u>	<u>Serial Numbers</u>
015	16220-ZE6-010	SPACER COMP., CARBURETOR	1	
016	16221-ZE7-P21	PACKING, CARBURETOR	1	
017	16953-ZE1-812	LEVER, COCK	1	BE66C B
018	16954-ZE1-812	PLATE, LEVER SETTING	1	BE66C B
019	16956-ZE1-811	SPRING, COCK LEVER	1	
020	16957-ZE1-812	PACKING, FUEL COCK	1	BE40A F
021	93500-030061H	SCREW, PAN, 3X6	2	BE66C B
022	99101-ZH80620	JET, MAIN, #62	(1)	
022	99101-ZH80650	JET, MAIN, #65	(1)	
022	99101-ZH80680	JET, MAIN, #68	1	
023	99204-ZE20400	JET SET, PILOT, #40	1	BE40A G



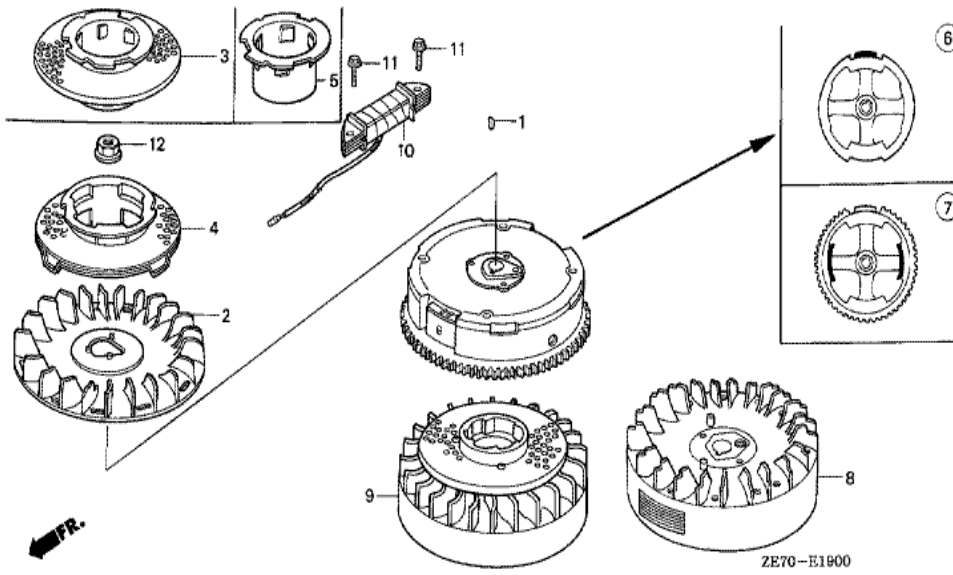
ZE70-E1500

<u>Ref</u>	<u>Partnumber</u>	<u>Description</u>	<u>GXV160</u>	<u>Serial Numbers</u>
001	15721-ZE7-000	TUBE, BREATHER	1	
002	16613-890-000	GROMMET, CHOKE ROD	1	
003	17210-ZE7-013	ELEMENT, AIR CLEANER	1	
004	17217-ZE7-013	PACKING, ELEMENT	1	
005	17218-888-003	FILTER, OUTER	1	
006	17220-ZE7-L00	CASE COMP., AIR CLEANER	1	
008	17232-891-000	GROMMET, AIR CLEANER	2	
009	17238-ZE7-710	COLLAR, AIR CLEANER	2	1007529
010	17239-ZE6-300	COLLAR B, AIR CLEANER	1	
013	94050-06000	NUT, FLANGE, 6MM	2	
015	95701-0603500	BOLT, FLANGE, 6X35	1	
016	17231-ZE7-L01ZA	COVER, AIR CLEANER *R8 *	1	
017	17515-ZE7-L01	RUBBER, TANK MOUNTING	1	
<u>Ref</u>	<u>Partnumber</u>	<u>Description</u>	<u>GXV160</u>	<u>Serial Numbers</u>
018	90201-ZG9-000	NUT, AIR CLEANER COVER (6MM)	2	

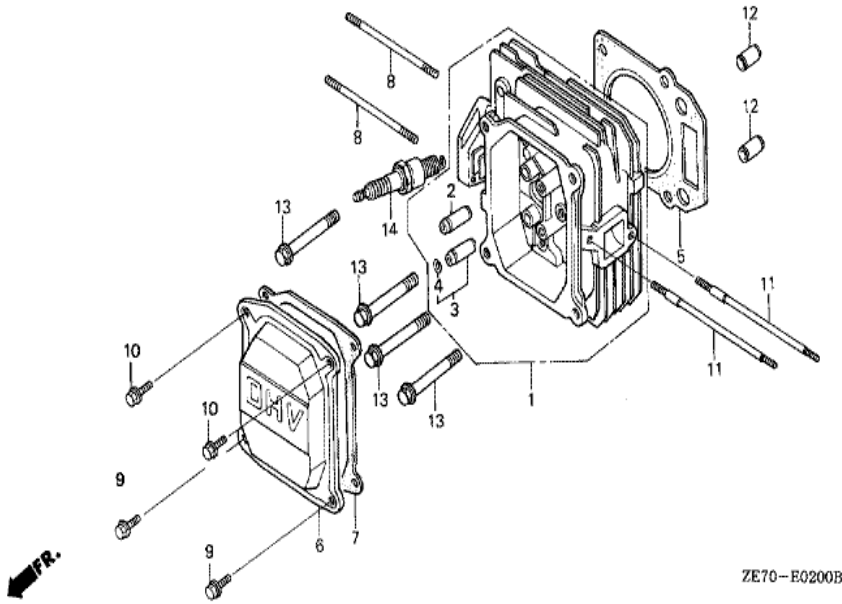


ZE70-E1600

Ref	Partnumber	Description	GXV160	Serial Numbers
001	06180-ZE6-820	ARRESTER KIT, SPARK	(1)	
004	18310-ZE7-013	MUFFLER COMP.	1	8117189
005	18321-ZE7-L00	PROTECTOR, MUFFLER	1	
008	18355-888-810	ARRESTER, SPARK	(1)	
009	18381-ZE6-820	GASKET, MUFFLER	(1)	
011	18381-ZG9-J60	GASKET, MUFFLER	1	
014	90343-ZE6-000	NUT, SELF-LOCK, 6MM	2	

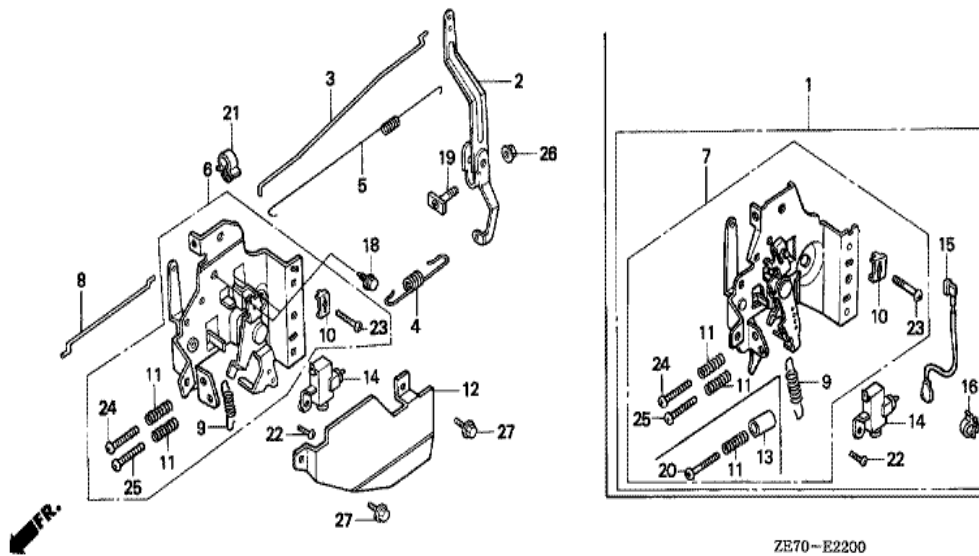


Ref	Partnumber	Description	GXV160	Serial Numbers
001	13331-357-000	KEY, SPECIAL WOODRUFF, 25X18	1	
002	19511-ZE1-000	FAN, COOLING	1	
004	28451-ZE7-003	PULLEY COMP., STARTER	1	
006	31100-ZE7-010	FLYWHEEL COMP. (STD.)	1	
012	90201-878-003	NUT, SPECIAL, 14MM	1	



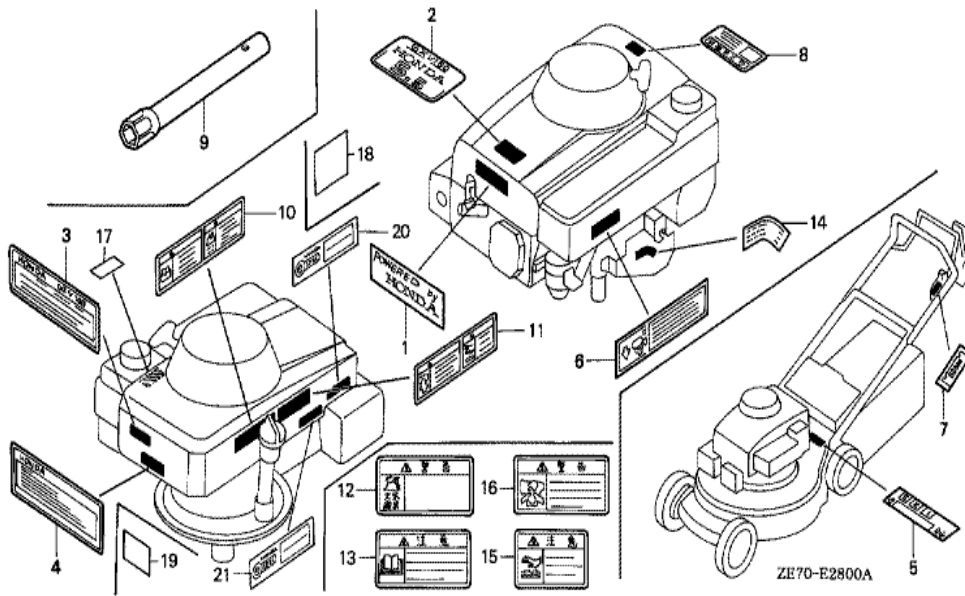
ZE70-E0200B

<u>Ref</u>	<u>Partnumber</u>	<u>Description</u>	<u>GXV160</u>	<u>Serial Numbers</u>
001	12200-ZE7-405	HEAD COMP., CYLINDER	1	2067038
002	12204-ZE1-306	GUIDE, IN. VALVE (OS)	(1)	
003	12205-ZE1-315	GUIDE, EX. VALVE (OS)	(1)	
004	12216-ZE5-300	CLIP, VALVE GUIDE	1	
005	12251-ZE7-000	GASKET, CYLINDER HEAD	1	
006	12310-ZE7-000	COVER, HEAD	1	
007	12391-ZE7-M10	PACKING, HEAD COVER	1	1320209
008	90013-ZE7-000	BOLT, STUD, 6X82	2	
009	90013-883-000	BOLT, FLANGE, 6X12 (CT200)	2	1330279
010	90014-952-000	BOLT, FLANGE, 6X14 (CT200)	2	
011	90043-ZE6-000	BOLT, STUD, 6X109	2	1350097
012	94301-10160	DOWEL PIN, 10X16	2	
013	95701-0805000	BOLT, FLANGE, 8X50	4	
<u>Ref</u>	<u>Partnumber</u>	<u>Description</u>	<u>GXV160</u>	<u>Serial Numbers</u>
014	98079-54846	PLUG, SPARK (BPR4ES) (NGK)	(1)	
014	98079-54855	PLUG, SPARK (W14EPR-U) (DENSO)	(1)	
014	98079-55846	PLUG, SPARK (BPR5ES) (NGK)	1	
014	98079-55855	PLUG, SPARK (W16EPR-U) (DENSO)	1	
014	98079-56846	PLUG, SPARK (BPR6ES) (NGK)	(1)	
014	98079-56855	PLUG, SPARK (W20EPR-U) (DENSO)	(1)	

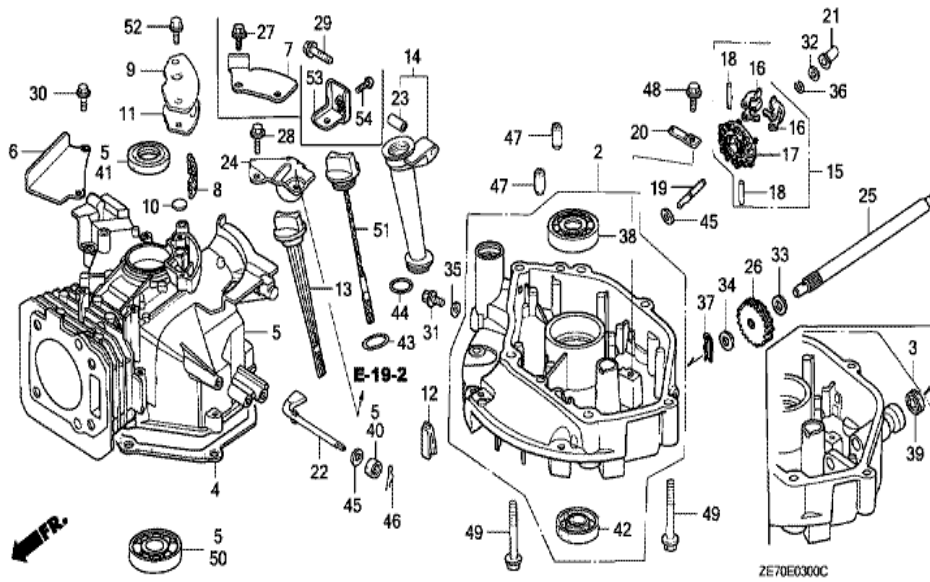


ZE70~E2200

<u>Ref</u>	<u>Partnumber</u>	<u>Description</u>	<u>GXV160</u>	<u>Serial Numbers</u>
002	16551-ZE7-000	ARM, GOVERNOR	1	
003	16555-ZE7-000	ROD, GOVERNOR	1	
004	16561-ZE7-711	SPRING, GOVERNOR	1	
005	16562-ZE6-000	SPRING, THROTTLE RETURN	1	
007	16570-ZE7-772	CONTROL COMP.	1	
008	16573-ZE7-000	ROD, CHOKE	1	
009	16576-ZE7-300	SPRING, LEVER	1	1270691
010	16576-891-000	HOLDER, CABLE	1	
011	16584-883-300	SPRING, CONTROL ADJUSTING	2	1270691
012	16585-ZE7-K10	PROTECTOR, CONTROL	1	
014	36100-ZE7-003	SWITCH ASSY., ENGINE STOP	1	2076731
014	36100-ZE7-013	SWITCH ASSY., ENGINE STOP	1	2076732
015	36101-ZE7-020	CORD, STOP SWITCH	1	
<u>Ref</u>	<u>Partnumber</u>	<u>Description</u>	<u>GXV160</u>	<u>Serial Numbers</u>
016	36103-ZE1-000	HOLDER, STOP SWITCH CORD	1	
018	90013-883-000	BOLT, FLANGE, 6X12 (CT200)	2	
019	90015-ZE5-010	BOLT, GOVERNOR ARM	1	1004105
021	90659-680-013	CLIP, WIRE HARNESS	1	
022	93500-040080A	SCREW, PAN, 4X8	1	
023	93500-050160A	SCREW, PAN, 5X16	1	
024	93500-050200A	SCREW, PAN, 5X20	1	
025	93500-050280A	SCREW, PAN, 5X28	1	1270691
026	94050-06000	NUT, FLANGE, 6MM	1	
027	95701-0601000	BOLT, FLANGE, 6X10	2	1357489

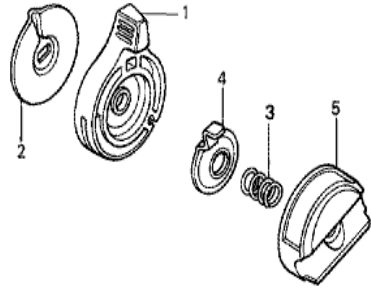


Ref	Partnumber	Description	GXV160	Serial Numbers
020	87135-ZE2-000	LABEL, E-SPEC (HONDA) (EPA STANDARD) (15	1	1367837 1368640
020	87135-ZE2-010	LABEL, E-SPEC (EPA STANDARD) (15.5X60.0)	1	2072723



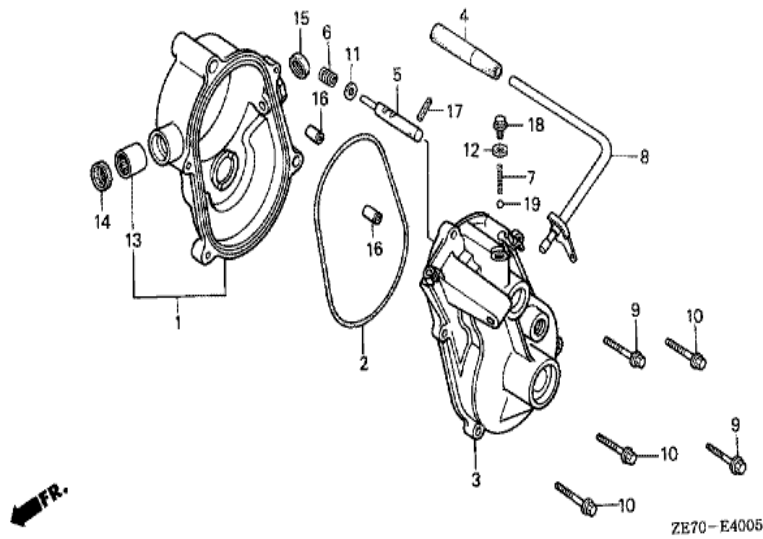
Ref	Partnumber	Description	GXV160	Serial Numbers
003	11300-ZE7-406	PAN ASSY., OIL	1	
004	11381-ZE7-M10	PACKING, OIL PAN	1	
005	12000-ZE7-020	BARREL ASSY., CYLINDER	1	1367609
005	12000-ZE7-406	BARREL ASSY., CYLINDER	1	1367610
006	12125-ZE7-000	PLATE, GUIDE	1	
008	12367-883-003	FILTER, BREATHER	1	
009	12370-ZE7-000	COVER COMP., BREATHER	1	
010	12372-ZE7-000	VALVE, BREATHER	1	
011	12373-ZE7-000	PACKING, BREATHER COVER	1	
012	15335-ZE7-000	RUBBER, OIL RETURN	1	
013	15620-ZE6-810	GAUGE COMP., OIL LEVEL	1	1174114
014	15630-ZE6-810	EXTENSION, OIL FILLER	1	1174114
015	16510-ZE6-000	GOVERNOR ASSY.	1	

<u>Ref</u>	<u>Partnumber</u>	<u>Description</u>	<u>GXV160</u>	<u>Serial Numbers</u>
016	16511-ZE1-000	WEIGHT, GOVERNOR	2	
017	16512-ZE6-000	HOLDER, GOVERNOR WEIGHT	1	
018	16513-ZE1-000	PIN, GOVERNOR WEIGHT	2	
019	16515-ZE6-000	SHAFT, GOVERNOR HOLDER	1	
019	16515-ZE6-010	SHAFT, GOVERNOR HOLDER	1	2083653
020	16525-ZE6-010	PLATE, GOVERNOR SHAFT HOLDER	1	
021	16531-ZE1-000	SLIDER, GOVERNOR	1	
022	16541-ZE7-000	SHAFT, GOVERNOR ARM	1	
023	17240-ZE6-000	COLLAR, EXTENSION	1	
024	17517-ZE7-000	STAY COMP., TANK	1	
025	23411-ZE7-000	SHAFT, DRIVE	1	
026	23421-ZE6-000	GEAR, DRIVEN (22T)	1	
028	90014-952-000	BOLT, FLANGE, 6X14 (CT200)	2	
029	90017-883-000	BOLT, FLANGE, 6X32 (CT200)	1	
030	90022-888-010	BOLT, FLANGE, 6X20 (CT200)	2	
031	90131-ZE1-000	BOLT, DRAIN PLUG	1	
032	90451-898-000	WASHER, THRUST, 6MM	1	
032	90451-ZE1-000	WASHER, THRUST, 6MM	1	2083653
033	90452-166-600	WASHER, THRUST, 12MM	1	
034	90452-187-000	WASHER, 10X21	1	
035	90601-ZE1-000	WASHER, DRAIN PLUG, 10.2MM	1	
036	90602-ZE1-000	CLIP, GOVERNOR HOLDER	1	
037	90701-ZE6-000	PIN, LOCK, 2.0	1	
038	91001-894-004	BEARING, RADIAL BALL	1	
039	91205-ZE7-003	OIL SEAL, 12X20X6.5 (NOK)	1	2038797
040	91231-891-003	OIL SEAL, 6X11X4 (ARAI)	1	
041	91252-888-003	OIL SEAL, 25X38X7 (ARAI)	1	
042	91252-894-004	OIL SEAL, 25.4X40X7	1	
043	91301-ZE9-003	O-RING, 22.1X2.2	1	
044	91301-805-000	O-RING, 26X2.7	1	
045	94101-06800	WASHER, PLAIN, 6MM	2	
046	94251-08000	PIN, LOCK, 8MM	1	
047	94301-08140	DOWEL PIN, 8X14	2	
<u>Ref</u>	<u>Partnumber</u>	<u>Description</u>	<u>GXV160</u>	<u>Serial Numbers</u>
048	95701-0601208	BOLT, FLANGE, 6X12	1	
049	95701-0805000	BOLT, FLANGE, 8X50	6	
050	96100-6205000	BEARING, RADIAL BALL, 6205	1	
052	90014-952-000	BOLT, FLANGE, 6X14 (CT200)	2	

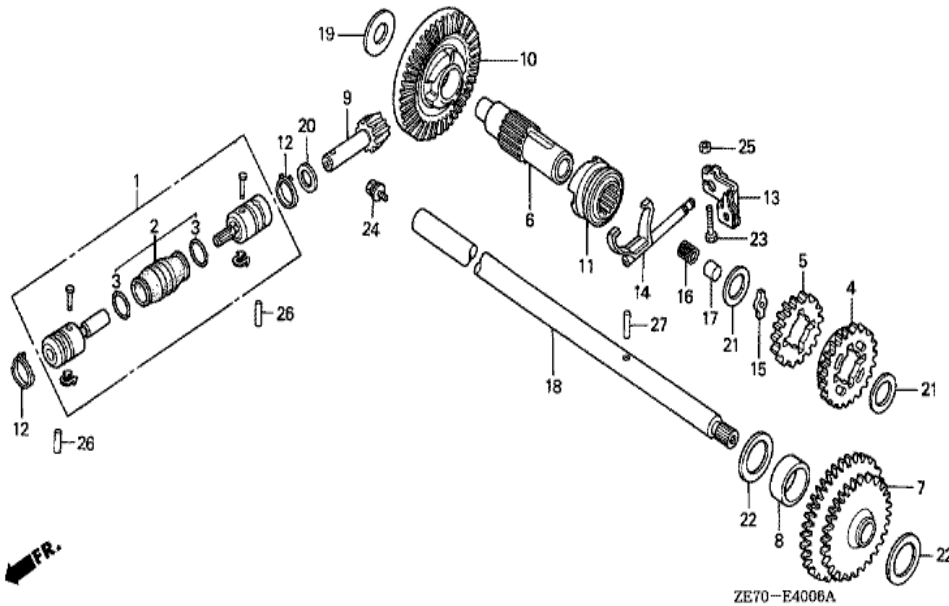


ZE70-E4004

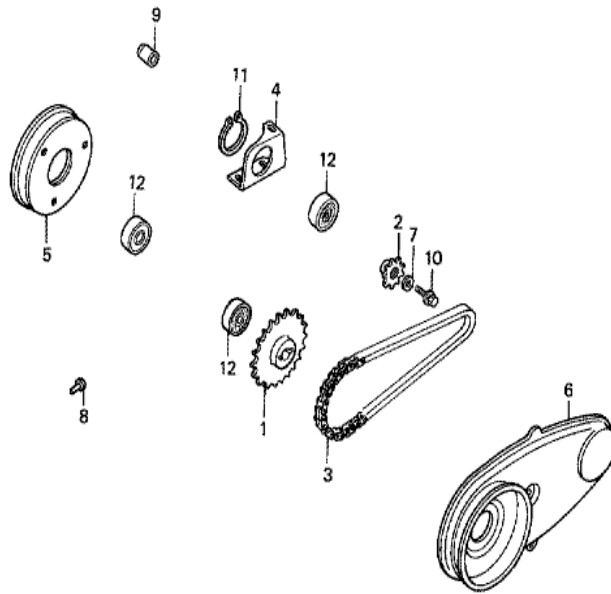
Ref	Partnumber	Description	GXV160	Serial Numbers
001	17851-VA4-000	LEVER, THROTTLE	1	
002	17857-VA4-000	PLATE, THROTTLE LEVER	1	
003	17858-VA4-000	SPRING, THROTTLE LEVER	1	
004	17859-VA4-000	SEAT, SPRING	1	
005	54231-VB5-800	COVER, CONTROL	1	



<u>Ref</u>	<u>Partnumber</u>	<u>Description</u>	<u>GXV160</u>	<u>Serial Numbers</u>
001	21510-VB3-800	CASE COMP., R. MISSION	1	
002	21592-VA3-801	O-RING, MISSION CASE	1	
003	21611-VB3-800	CASE, L. MISSION	1	
004	22542-900-000	GRIP, FR. CLUTCH LEVER	1	
005	24122-VB3-800	SLIDER, SHIFT	1	
006	24124-VA4-800	SPRING, HIGH GEAR SHIFT	1	
007	24271-VB3-800	SPRING, BALL SETTING	1	
008	54311-VA8-000	LEVER COMP., CHANGE	1	
009	90123-VA4-800	BOLT, FLANGE, 6X28	2	
010	90125-VA4-800	BOLT, FLANGE, 6X25	3	
011	90451-KA3-740	WASHER, 5.2X10	1	
012	90461-357-000	WASHER, SEALING, 12MM	1	
013	91012-VB5-801	BEARING, NEEDLE, 10X17X20	1	
<u>Ref</u>	<u>Partnumber</u>	<u>Description</u>	<u>GXV160</u>	<u>Serial Numbers</u>
014	91202-KA3-711	OIL SEAL, 10X17X4 (ARAI)	1	
015	91203-952-771	OIL SEAL, 8X14X5	1	
016	94301-08140	DOWEL PIN, 8X14	2	
017	94305-40202	PIN, SPRING, 4X20	1	
018	95701-0601000	BOLT, FLANGE, 6X10	1	
019	96211-06000	BALL, STEEL, #6 (3/16)	1	

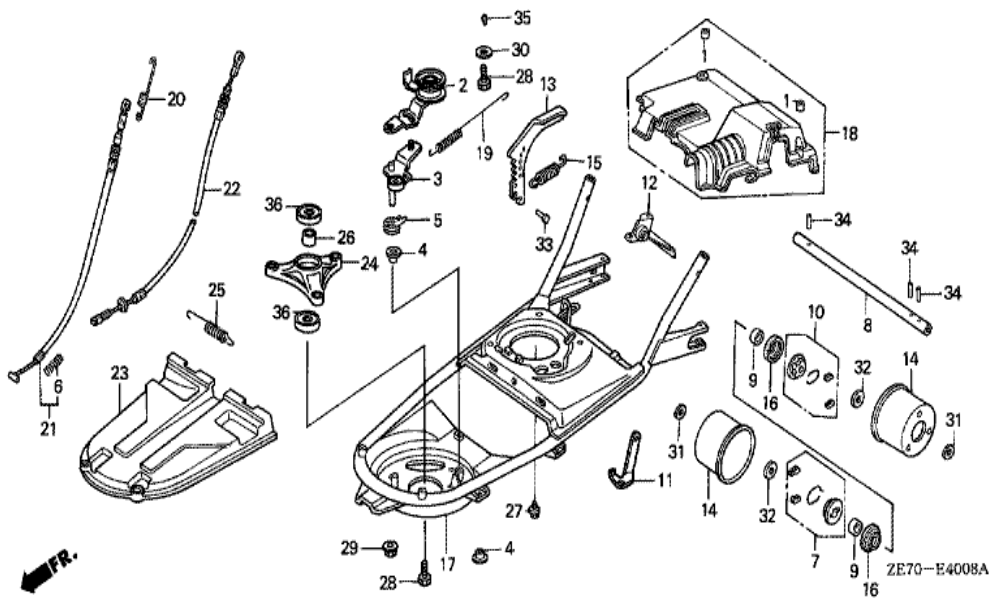


<u>Ref</u>	<u>Partnumber</u>	<u>Description</u>	<u>GXV160</u>	<u>Serial Numbers</u>
001	22100-VA8-003	JOINT ASSY.	1	
002	22123-VA8-003	BOOT, JOINT	1	
003	22127-VA4-801	RING, SEAL	2	
004	23111-VA3-800	GEAR, HIGH DRIVE (28T)	1	
005	23211-VA3-800	GEAR, LOW DRIVE (22T)	1	
006	23221-VA4-801	COUNTERSHAFT	1	
007	23350-VA8-000	GEAR COMP., FINAL	1	
008	23354-VB3-800	COLLAR, FINAL GEAR	1	
009	23411-VB3-810	PINION, BEVEL	1	
010	23421-VA4-800	GEAR, BEVEL (52T)	1	
011	23431-VA4-801	CLUTCH, DRIVEN	1	
012	23435-VA2-701	CLIP, CLUTCH SHAFT	2	
013	23436-VA3-801	ARM, CLUTCH	1	
<u>Ref</u>	<u>Partnumber</u>	<u>Description</u>	<u>GXV160</u>	<u>Serial Numbers</u>
014	23440-VA4-800	SHAFT COMP., SHIFT	1	
015	24102-VA3-801	SHIFTER	1	
016	24123-VA4-800	SPRING, SHIFT	1	
017	24251-VA4-800	RETAINER, SHIFT SPRING	1	
018	44311-VA8-000	SHAFT, DRIVE	1	
019	90452-VB5-800	WASHER, THRUST, 12MM	1	
020	90452-187-000	WASHER, 10X21	1	
021	90453-235-000	WASHER, THRUST, 16MM	2	
022	90458-166-000	WASHER, 15MM	2	
023	92101-050200A	BOLT, HEX., 5X20	1	
024	93405-0601208	BOLT-WASHER, 6X12	1	
025	94001-050000S	NUT, HEX., 5MM	1	
026	96220-40178	ROLLER, 4X17.8	2	
027	96220-60224	ROLLER, 6X22.4	1	



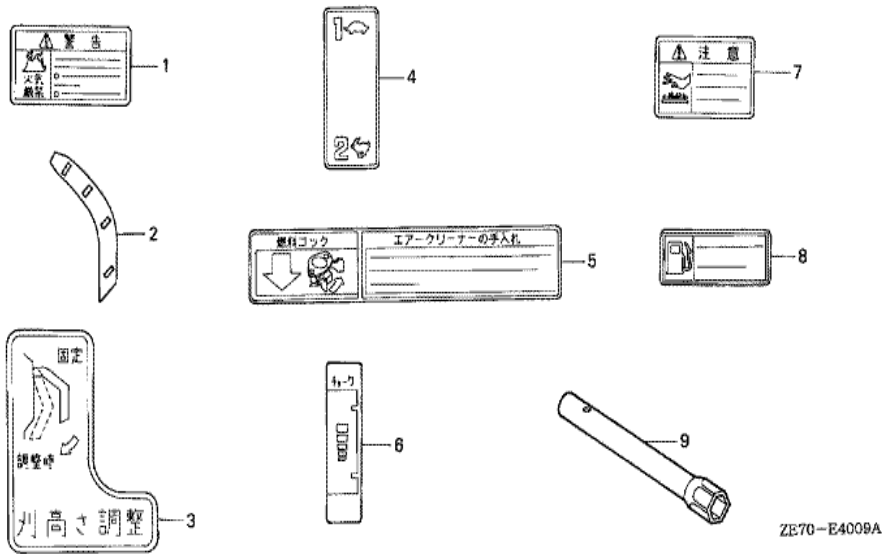
ZE70-E4007

<u>Ref</u>	<u>Partnumber</u>	<u>Description</u>	<u>GXV160</u>	<u>Serial Numbers</u>
001	23373-VA8-013	SPROCKET, DRIVEN	1	
002	23711-VA6-003	SPROCKET, DRIVE	1	
003	23861-VA8-003	CHAIN, DRIVE (35DHA-52)	1	
004	42753-VA8-000	BRACKET, L. MISSION	1	
005	42765-VD8-000	COVER, DRIVEN SHAFT	1	
006	42766-VA8-A00	COVER COMP., CHAIN	1	
007	90401-ZA0-000	WASHER, PLAIN, 6.5X15	1	
008	90851-VA7-000	RIVET, SAFETY SHIELD, 4.8MM	4	
009	91551-VA8-000	COLLAR, ADJUSTING	1	
010	93405-0601208	BOLT-WASHER, 6X12	1	
011	94510-40000	CIRCLIP, EXTERNAL, 40MM	1	
012	96150-6202010	BEARING, RADIAL BALL, 6202UU	3	



Ref	Partnumber	Description	GXV160	Serial Numbers
001	19512-896-000	COLLAR, FAN	2	
002	22510-VA8-000	ARM COMP., TENSION	1	
003	22511-VA8-000	STAY, TENSION ARM	1	
004	22571-VA8-000	BUSH, CLUTCH	2	
005	22585-VA8-000	SPRING, CLUTCH RETURN	1	
006	23437-VA4-801	SPRING, CLUTCH RETURN	1	
007	23510-VB5-803	HOLDER COMP., R. RATCHET	1	
008	23512-VA8-010	SHAFT, WHEEL	1	
009	23513-VA8-020	COLLAR, WHEEL SHAFT	2	
010	23520-VB5-803	HOLDER COMP., L. RATCHET	1	
011	42751-VA8-000	STAY, MISSION TOP	1	
012	42752-VA8-000	BRACKET COMP., R. MISSION	1	
013	42763-VA8-A60	PLATE, HEIGHT ADJUSTING	1	

<u>Ref</u>	<u>Partnumber</u>	<u>Description</u>	<u>GXV160</u>	<u>Serial Numbers</u>
014	42767-VA8-010	COVER, SHAFT OUTSIDE	2	
015	42768-VA8-000	SPRING, HEIGHT ADJUSTING	1	
016	42958-VB5-811	CAP, DUST PROTECTOR	2	
017	50100-VA8-A00ZA	FRAME COMP., MAIN *NH1 *	1	
018	54241-VA8-000ZA	COVER, TRANSMISSION *NH105 *	1	
019	54411-VA8-000	SPRING, TENSION	1	
020	54411-VB3-800	SPRING, CLUTCH	1	
021	54510-VA8-003	CABLE COMP., CLUTCH	1	
022	54530-VA8-A00	CABLE COMP., BELT CLUTCH	1	
023	63611-VA8-000ZA	COVER, BELT *R8 *	1	
024	72711-750-000	HOUSING, BEARING	1	
025	75112-VA8-000	SPRING, BRAKE	1	
026	76213-750-000	COLLAR, BLADE SHAFT	1	
027	90102-VA4-000	BOLT, ENGINE SETTING	4	
028	90105-960-003	BOLT, HEX., 10X25	2	
029	90309-KF0-003	NUT, FLANGE, 8MM	3	
030	90409-952-000	WASHER, 10MM	1	
031	90505-SD9-000	WASHER, ENGINE RR. MOUNTING	2	
032	90551-VA4-800	WASHER, 16MM	2	
033	90751-708-000	PIN, 8X18	1	
034	91101-VA4-801	ROLLER, 5X23.8	3	
035	94401-16150	KEY, WOODRUFF, 16X15	1	
036	96150-6204010	BEARING, RADIAL BALL, 6204UU	2	



ZE70-E4009A

Ref	Partnumber	Description	GXV160	Serial Numbers
001	87106-737-J00	MARK, FUEL WARNING	1	
002	87108-VA8-000	MARK, HEIGHT ADJUSTING	1	
003	87403-VA8-000	MARK, OPERATION	1	
004	87502-VA8-000	LABEL, CHANGE INDICATION	1	
005	87524-VB1-000	LABEL, AIR CLEANER CAUTION (J)	1	
006	87532-VA8-000	MARK, THROTTLE	1	
007	87539-737-J00	MARK, HEAT CAUTION	1	
008	87593-737-J00	MARK, USE FUEL	1	
009	99004-21002	WRENCH, BOX (P21)	1	

