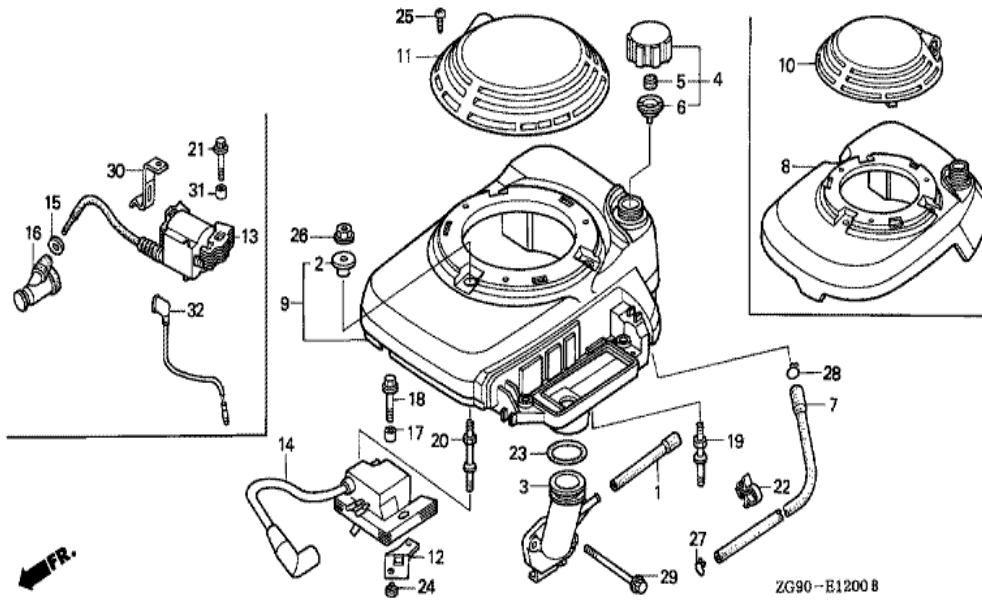
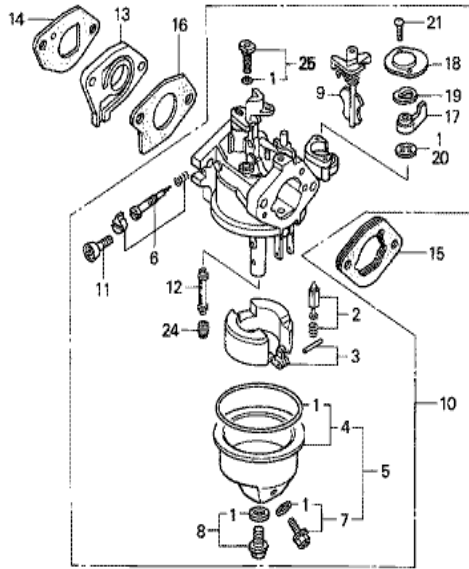


Ref	Partnumber	Description	GXV140	Serial Numbers
001	28400-ZG9-W52	STARTER ASSY., RECOIL	1	
002	28402-ZG9-802	HOUSING ASSY.	1	
003	28415-ZG9-802	PULLEY & SPRING ASSY.	1	
004	28419-ZG9-802	PIN, CENTER	1	
005	28431-ZG9-802	PLATE A, FRICTION	1	
006	28432-ZG9-802	PLATE B, FRICTION	1	
007	28441-ZG9-802	SPRING, FRICTION	1	
008	28444-ZG9-802	RETAINER	1	
009	28461-ZE6-T02	HANDLE	1	
011	28462-ZG9-W52	ROPE (#4.5X96")	1	
012	28463-ZE6-T02	HANDLE, REINFORCEMENT	1	
013	28485-ZE6-T02	DOG	2	
014	28486-ZE6-T02	SPRING, DOG	2	

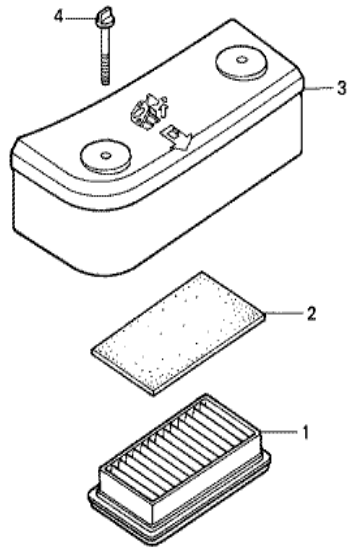


<u>Ref</u>	<u>Partnumber</u>	<u>Description</u>	<u>GXV140</u>	<u>Serial Numbers</u>
001	15721-ZE6-010	TUBE, BREATHER (180MM)	1	
002	17216-PE2-003	COLLAR, AIR CLEANER (TOYO ROKI)	3	
003	17410-ZG9-800	ELBOW COMP., AIR CLEANER	1	7359878
004	17620-ZG9-000	CAP ASSY., FUEL TANK	1	
005	17622-888-010	SPONGE, FUEL CAP BREATHER	1	
006	17624-ZE7-000	PACKING, FUEL CAP	1	
007	17701-ZG9-800	TUBE, FUEL TANK (280MM)	1	7359878
009	19610-ZG9-801ZA	COVER COMP., FAN *NH1 *	1	
009	19610-ZG9-802ZA	COVER COMP., FAN *NH1 *	1	
011	19615-ZG9-801ZA	HOOD, FAN COVER (GRAINED FINISH) *NH1 *	1	
014	30500-ZG9-801	COIL ASSY., IGNITION	1	
017	75133-960-000	COLLAR, ROTO-STOP	2	
018	90017-883-000	BOLT, FLANGE, 6X32 (CT200)	1	
<u>Ref</u>	<u>Partnumber</u>	<u>Description</u>	<u>GXV140</u>	<u>Serial Numbers</u>
019	90041-ZG9-800	BOLT, STUD (BRAKE)	2	
020	90042-ZG9-800	BOLT, STUD (C)	1	
022	90682-959-661	CLIP B, CABLE (9MM BLACK)	1	
023	91301-ZG9-800	O-RING, 33.3X3.5	1	7359878
025	93913-24580	SCREW, TAPPING, 4X20	1	
026	94050-06000	NUT, FLANGE, 6MM	3	
028	95002-02100	CLIP, TUBE (B10)	1	
029	95801-0610000	BOLT, FLANGE, 6X100	2	7359878



ZG90-E1400

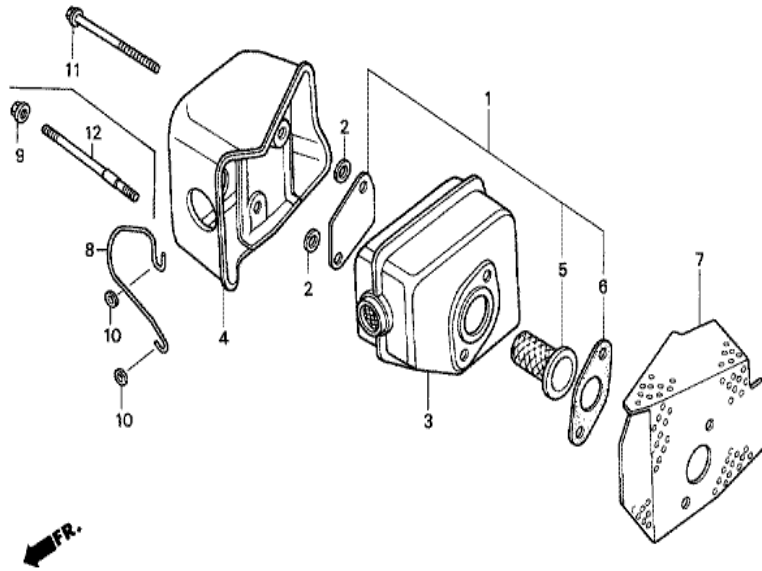
Ref	Partnumber	Description	GXV140	Serial Numbers
001	16010-ZE0-025	GASKET SET	1	BE53A D BE53A D
002	16011-ZE0-005	VALVE SET, FLOAT	1	BE53A D
003	16013-ZE0-005	FLOAT SET	1	BE53A D
005	16015-ZE1-811	CHAMBER SET, FLOAT	1	BE53A C
006	16016-ZH7-W01	SCREW SET, PILOT	1	BE53A D
007	16024-ZE1-811	SCREW SET, DRAIN	1	BE53A D
008	16028-ZE0-005	SCREW SET	1	BE53A D
009	16045-ZE7-005	CHOKE SET	1	BE53A D
010	16100-ZG9-803	CARBURETOR ASSY. (BE53A D)	1	7165998
011	16124-ZE0-005	SCREW, THROTTLE STOP	1	BE53A D
012	16166-ZG9-801	NOZZLE, MAIN	1	BE53A B BE53A D
013	16211-ZG9-000	INSULATOR, CARBURETOR	1	7359878
014	16212-ZG9-T00	PACKING, CARBURETOR	1	7359878
015	16220-ZE6-010	SPACER COMP., CARBURETOR	1	7359878
016	16221-ZG9-T00	PACKING, CARBURETOR	1	7359878
017	16953-ZE1-812	LEVER, COCK	1	BE53A D
018	16954-ZE1-812	PLATE, LEVER SETTING	1	
019	16956-ZE1-811	SPRING, COCK LEVER	1	BE53A D
020	16957-ZE1-812	PACKING, FUEL COCK	1	BE53A D
021	93500-030061H	SCREW, PAN, 3X6	2	
024	99101-ZH80520	JET, MAIN, #52	(1)	
024	99101-ZH80550	JET, MAIN, #55	(1)	BE53A B
024	99101-ZH80580	JET, MAIN, #58	1	BE53A B
025	99204-ZE20380	JET SET, PILOT, #38	1	BE53A B BE53A D



FR.

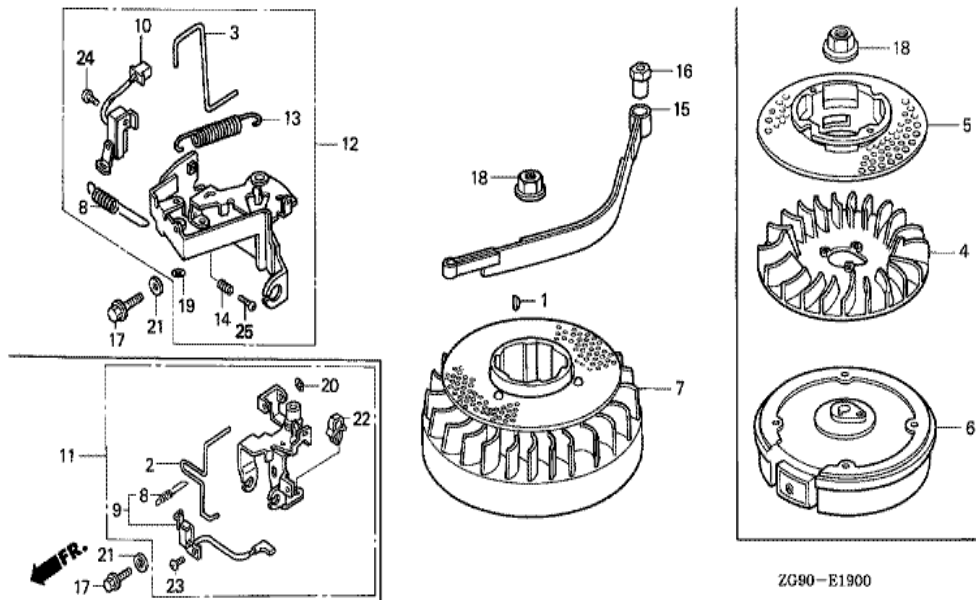
ZG90-E1500

Ref	Partnumber	Description	GXV140	Serial Numbers
001	17211-ZG9-800	ELEMENT, AIR CLEANER	1	
002	17218-ZG9-800	FILTER, OUTER	1	7359878
003	17231-ZG9-800ZA	COVER, AIR CLEANER *NH1 *	1	
004	90004-ZG9-M00	BOLT, AIR CLEANER, 6MM	2	7359896

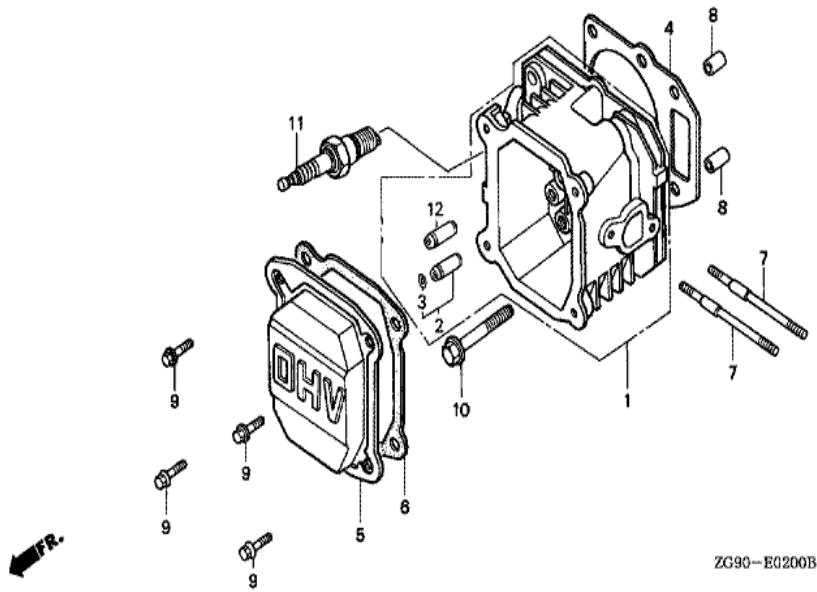


ZG90-E1800

Ref	Partnumber	Description	GXV140	Serial Numbers
001	06180-ZE6-820	ARRESTER KIT, SPARK	(1)	
003	18310-ZG9-J01	MUFFLER COMP.	1	6839527
004	18320-ZG9-M01	PROTECTOR COMP., MUFFLER	1	
005	18355-888-810	ARRESTER, SPARK	(1)	
006	18381-ZE6-820	GASKET, MUFFLER	(1)	
007	18381-ZG9-M00	GASKET, MUFFLER	1	
011	95801-0608500	BOLT, FLANGE, 6X85	2	8103698

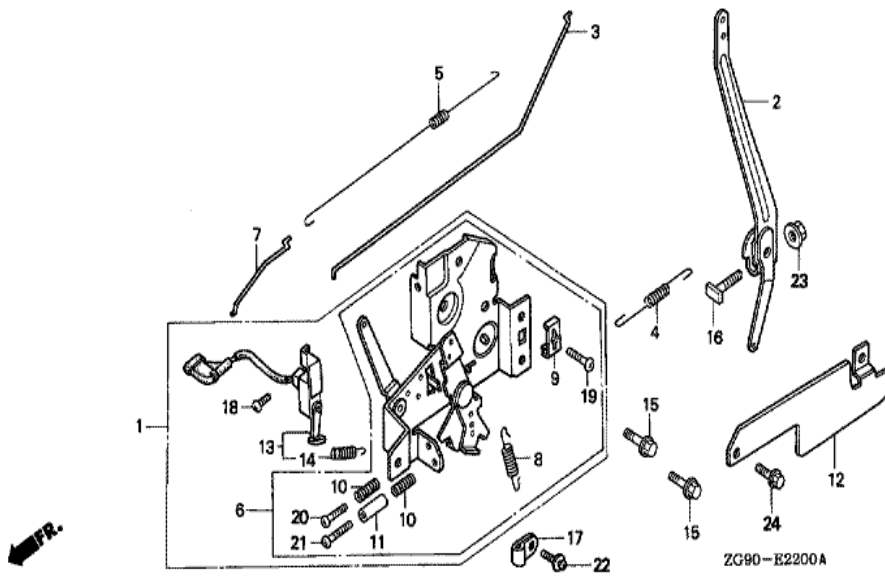


<u>Ref</u>	<u>Partnumber</u>	<u>Description</u>	<u>GXV140</u>	<u>Serial Numbers</u>
001	13331-357-000	KEY, SPECIAL WOODRUFF, 25X18	1	
003	16566-ZG9-800	ROD, GOVERNOR ARM RETURN	1	
007	31105-ZG9-800	FLYWHEEL ASSY.	1	
008	35129-ZG9-800	SPRING, SWITCH CONTROL	1	
010	36100-ZG9-811	SWITCH ASSY., ENGINE STOP (BRAKE)	1	
012	75101-ZG9-801	LEVER ASSY., BRAKE	1	
013	75113-ZG9-800	SPRING, BRAKE LEVER	1	
014	75114-ZG9-800	SPRING, BRAKE ADJUSTING	1	
015	75120-ZG9-801	BRAKE COMP.	1	
016	75123-ZG9-800	COLLAR, BRAKE SHAFT	1	
017	90014-952-000	BOLT, FLANGE, 6X14 (CT200)	1	
018	90201-878-003	NUT, SPECIAL, 14MM	1	
019	90310-ZB7-701	NUT, PUSH, 2.6	1	
<u>Ref</u>	<u>Partnumber</u>	<u>Description</u>	<u>GXV140</u>	<u>Serial Numbers</u>
021	90461-357-000	WASHER, SEALING, 12MM	1	
024	93500-040080A	SCREW, PAN, 4X8	1	
025	93500-050120A	SCREW, PAN, 5X12	1	



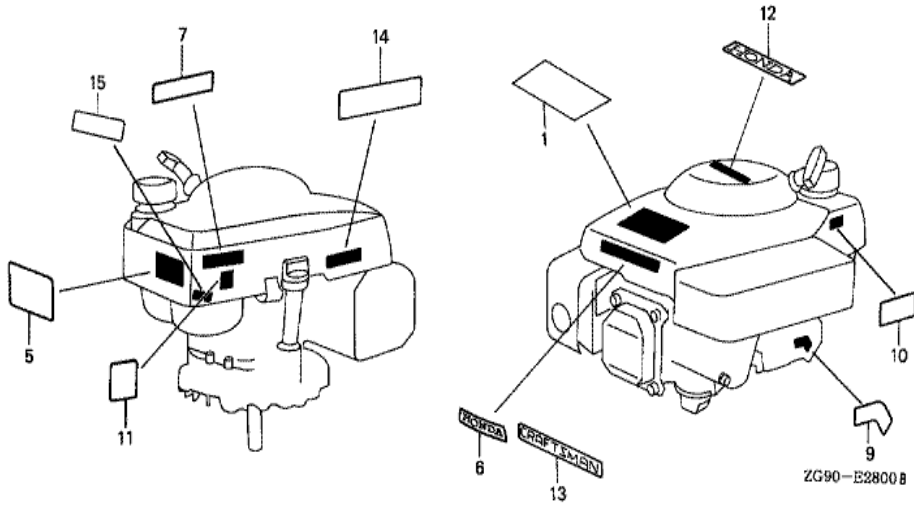
ZG90-E0200B

Ref	Partnumber	Description	GXV140	Serial Numbers
001	12200-ZG9-P41	HEAD COMP., CYLINDER (USA)	1	7663556
002	12205-ZE1-315	GUIDE, EX. VALVE (OS)	(1)	
003	12216-ZE5-300	CLIP, VALVE GUIDE	1	
004	12251-ZG9-000	GASKET, CYLINDER HEAD	1	
005	12311-ZG9-800	COVER, HEAD	1	
006	12391-ZG9-800	PACKING, HEAD COVER	1	
008	94301-10160	DOWEL PIN, 10X16	2	
009	95701-0601400	BOLT, FLANGE, 6X14	4	6839526
010	95701-0805000	BOLT, FLANGE, 8X50	4	
011	98079-54846	PLUG, SPARK (BPR4ES) (NGK)	(1)	
011	98079-55846	PLUG, SPARK (BPR5ES) (NGK)	1	
011	98079-56846	PLUG, SPARK (BPR6ES) (NGK)	(1)	
012	12204-ZE1-306	GUIDE, IN. VALVE (OS)	(1)	6324986

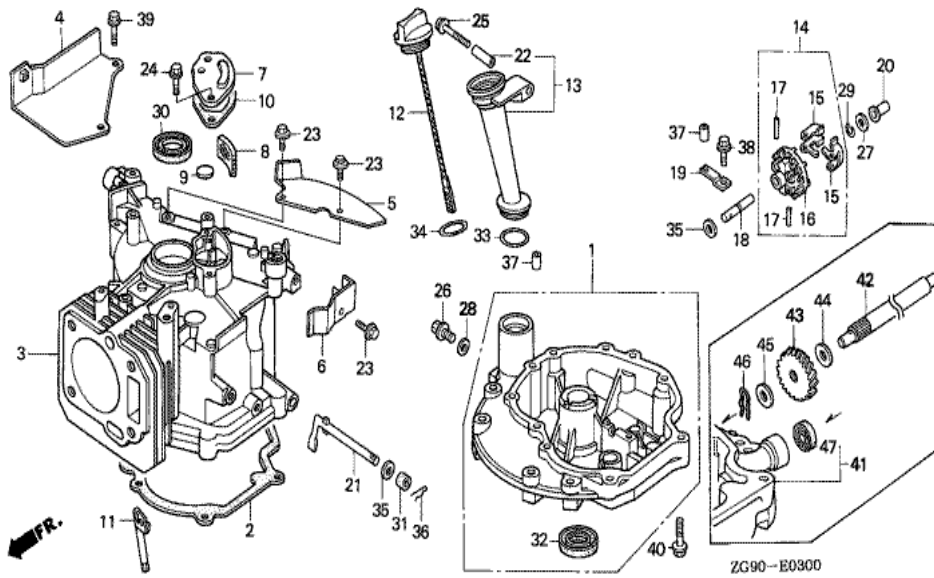


<u>Ref</u>	<u>Partnumber</u>	<u>Description</u>	<u>GXV140</u>	<u>Serial Numbers</u>
002	16551-ZE6-U40	ARM COMP., GOVERNOR (C,G)	1	7359878
003	16555-ZE6-000	ROD, GOVERNOR	1	7359878
004	16561-ZE6-010	SPRING, GOVERNOR	1	7359878
005	16562-ZE6-000	SPRING, THROTTLE RETURN	1	7359878
006	16570-ZE6-U50	CONTROL COMP.	1	
007	16573-ZE6-010	ROD, CHOKE	1	7359878
008	16574-ZG9-M00	SPRING, LEVER	1	7359878
009	16576-891-000	HOLDER, CABLE	1	7359878
010	16584-883-300	SPRING, CONTROL ADJUSTING	2	
015	90014-952-000	BOLT, FLANGE, 6X14 (CT200)	2	
016	90015-ZE5-010	BOLT, GOVERNOR ARM	1	7359878
017	90628-ZC0-701	CLIP (4.4MM)	1	
019	93500-050160A	SCREW, PAN, 5X16	1	
<u>Ref</u>	<u>Partnumber</u>	<u>Description</u>	<u>GXV140</u>	<u>Serial Numbers</u>
020	93500-050200A	SCREW, PAN, 5X20	1	7359878
021	93500-050250A	SCREW, PAN, 5X25	1	7359878
022	93893-0401200	SCREW-WASHER, 4X12	1	
023	94050-06000	NUT, FLANGE, 6MM	1	



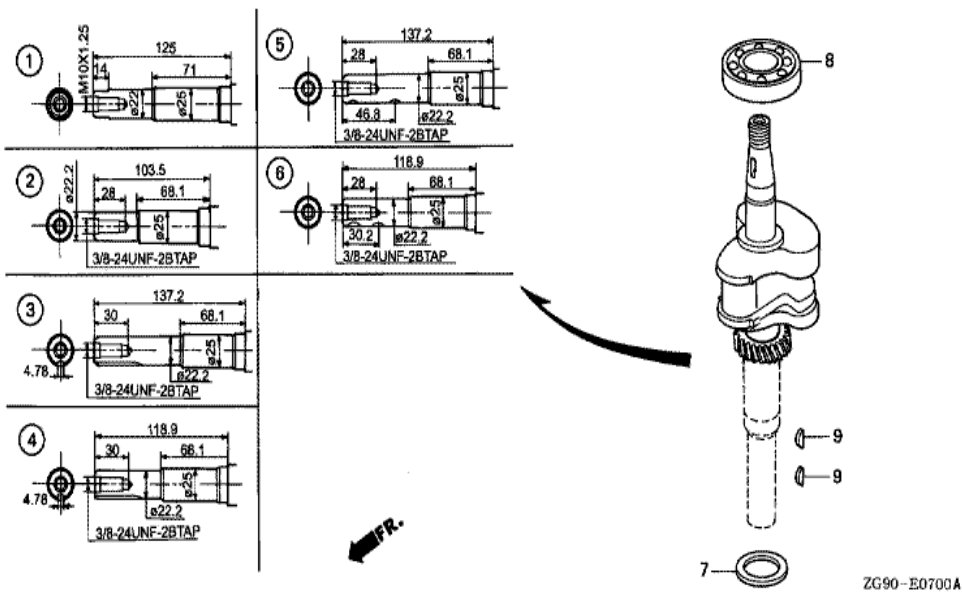


Ref	Partnumber	Description	GXV140	Serial Numbers
001	87101-ZG9-812	EMBLEM (5.0) (AH)	1	7723464

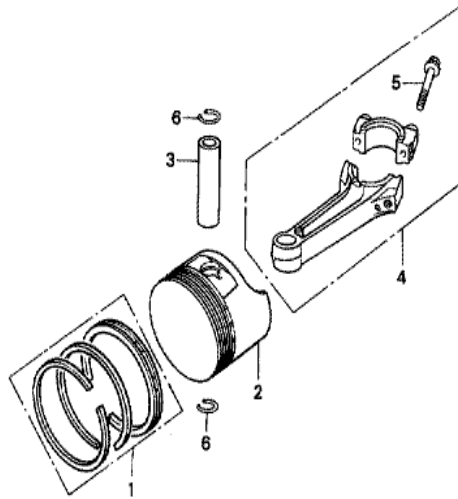


Ref	Partnumber	Description	GXV140	Serial Numbers
001	11300-ZG9-800	PAN ASSY., OIL (USA-PUSH)	1	7170417
002	11381-ZG9-T00	PACKING, OIL PAN	1	
003	12100-ZG9-415	BARREL COMP., CYLINDER	1	
004	12125-ZG9-000	PLATE, GUIDE	1	
005	12126-ZG9-M30	PLATE A, GUIDE	1	
007	12360-ZE6-000	CAP COMP., BREATHER CHAMBER	1	
008	12367-ZE6-010	FILTER, BREATHER	1	
009	12372-879-000	VALVE, BREATHER	1	
010	12373-ZE6-000	PACKING, BREATHER CHAMBER	1	
011	12385-ZE6-000	PIPE, OIL DEFENSE	1	
012	15620-ZE6-810	GAUGE COMP., OIL LEVEL	1	
013	15630-ZE6-810	EXTENSION, OIL FILLER	1	
014	16510-ZE6-000	GOVERNOR ASSY.	1	

<u>Ref</u>	<u>Partnumber</u>	<u>Description</u>	<u>GXV140</u>	<u>Serial Numbers</u>
015	16511-ZE1-000	WEIGHT, GOVERNOR	2	
016	16512-ZE6-000	HOLDER, GOVERNOR WEIGHT	1	
017	16513-ZE1-000	PIN, GOVERNOR WEIGHT	2	
018	16515-ZE6-010	SHAFT, GOVERNOR HOLDER	1	
019	16525-ZE6-010	PLATE, GOVERNOR SHAFT HOLDER	1	
020	16531-ZE1-000	SLIDER, GOVERNOR	1	
021	16541-ZE7-000	SHAFT, GOVERNOR ARM	1	
022	17240-ZE6-000	COLLAR, EXTENSION	1	
023	90013-883-000	BOLT, FLANGE, 6X12 (CT200)	3	7359878
023	90013-883-000	BOLT, FLANGE, 6X12 (CT200)	2	7359879
024	90014-952-000	BOLT, FLANGE, 6X14 (CT200)	2	
025	90017-883-000	BOLT, FLANGE, 6X32 (CT200)	1	
026	90131-ZE1-000	BOLT, DRAIN PLUG	1	
027	90451-ZE1-000	WASHER, THRUST, 6MM	1	
028	90601-ZE1-000	WASHER, DRAIN PLUG, 10.2MM	1	
029	90602-ZE1-000	CLIP, GOVERNOR HOLDER	1	
030	91202-ZE6-013	OIL SEAL, 22X35X6	1	
031	91231-891-003	OIL SEAL, 6X11X4 (ARAI)	1	
032	91252-888-003	OIL SEAL, 25X38X7 (ARAI)	1	
033	91301-ZE9-003	O-RING, 22.1X2.2	1	
034	91301-805-000	O-RING, 26X2.7	1	
035	94101-06800	WASHER, PLAIN, 6MM	2	
036	94251-08000	PIN, LOCK, 8MM	1	
037	94301-08140	DOWEL PIN, 8X14	2	
038	95701-0601208	BOLT, FLANGE, 6X12	1	
039	95701-0602000	BOLT, FLANGE, 6X20	2	
040	95701-0602800	BOLT, FLANGE, 6X28	7	



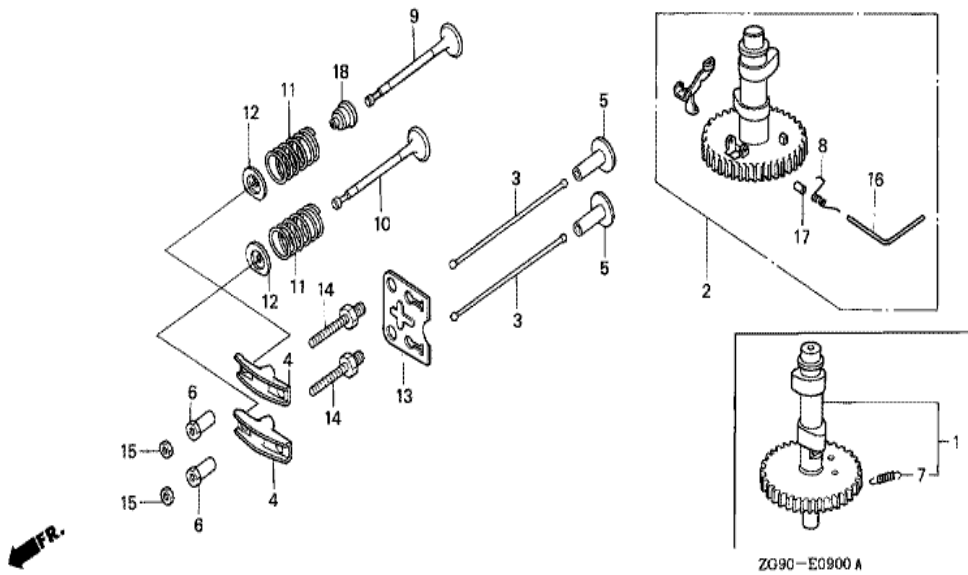
Ref	Partnumber	Description	GXV140	Serial Numbers
005	13310-ZG9-800	CRANKSHAFT COMP.	1	
008	91001-878-003	BEARING, RADIAL BALL,	1	



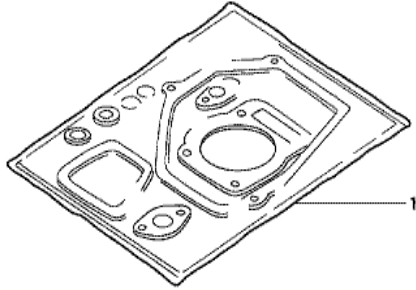
FR.

ZG90-E0800

Ref	Partnumber	Description	GXV140	Serial Numbers
001	13010-ZG9-T01	RING SET, PISTON (STD.) (FEDERAL MOGUL)	1	7666484
001	13011-ZG9-T01	RING SET, PISTON (0.25) (FEDERAL MOGUL)	(1)	7666484
001	13012-ZG9-T01	RING SET, PISTON (0.50) (FEDERAL MOGUL)	(1)	7666484
001	13013-ZG9-T01	RING SET, PISTON (0.75) (FEDERAL MOGUL)	(1)	7666484
002	13101-ZG9-010	PISTON (STD.)	1	
002	13102-ZG9-010	PISTON (0.25)	(1)	
002	13103-ZG9-010	PISTON (0.50)	(1)	
002	13104-ZG9-010	PISTON (0.75)	(1)	
003	13111-ZE0-000	PIN, PISTON	1	
004	13200-ZE6-010	ROD ASSY., CONNECTING	1	
005	90001-ZE1-000	BOLT, CONNECTING ROD	2	
006	90551-ZE0-000	CLIP, PISTON PIN, 13MM	2	



<u>Ref</u>	<u>Partnumber</u>	<u>Description</u>	<u>GXV140</u>	<u>Serial Numbers</u>
002	14100-ZG9-800	CAMSHAFT ASSY.	1	
003	14410-ZE0-010	ROD, PUSH	2	
004	14431-ZE1-000	ARM, VALVE ROCKER	2	
005	14441-ZE1-010	LIFTER, VALVE	2	
006	14451-ZE1-013	PIVOT, ROCKER ARM	2	
008	14568-ZG9-800	SPRING, WEIGHT RETURN	1	
009	14711-ZG9-810	VALVE, IN.	1	
010	14721-ZG9-810	VALVE, EX.	1	
011	14751-ZF1-000	SPRING, VALVE	2	
012	14771-ZE1-000	RETAINER, IN. VALVE SPRING	2	
013	14791-ZE0-010	PLATE, PUSH ROD GUIDE	1	
014	90012-ZE0-010	BOLT, PIVOT, 8MM	2	
015	90206-ZE1-000	NUT, PIVOT ADJUSTING	2	
<u>Ref</u>	<u>Partnumber</u>	<u>Description</u>	<u>GXV140</u>	<u>Serial Numbers</u>
016	90701-ZG9-800	PIN, WEIGHT CENTER	1	
017	91502-ZG9-800	COLLAR, WEIGHT CENTER	1	
018	12209-ZE6-003	SEAL, VALVE STEM	1	7663556



HENG-X0003

<u>Ref</u>	<u>Partnumber</u>	<u>Description</u>	<u>GXV140</u>	<u>Serial Numbers</u>
001	06111-ZG9-L00	GASKET KIT	1	