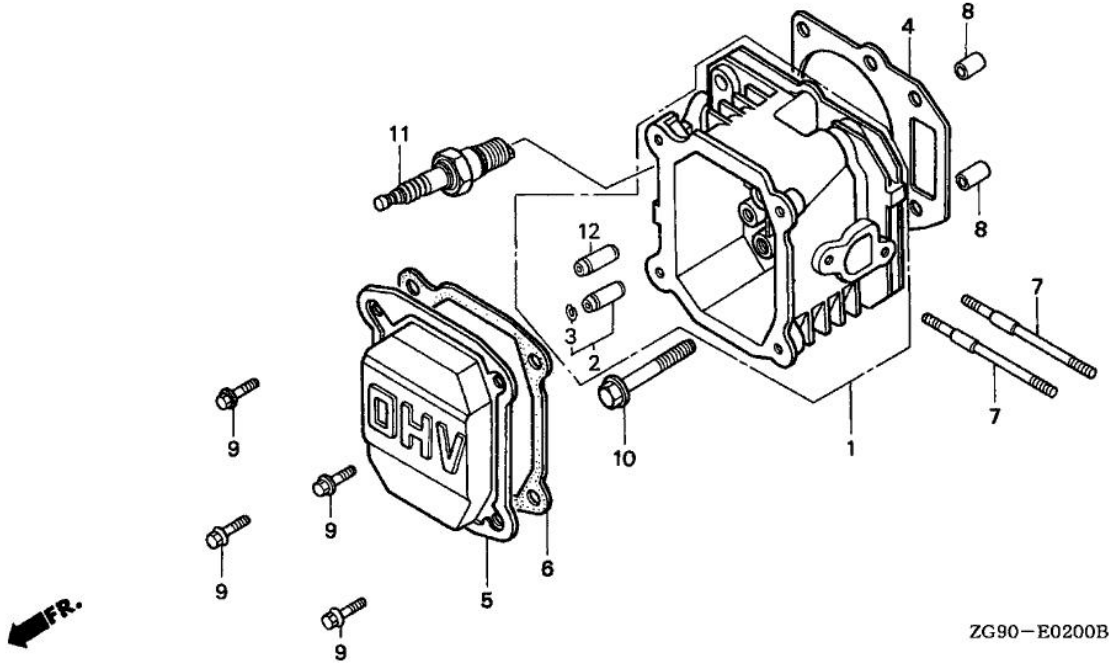
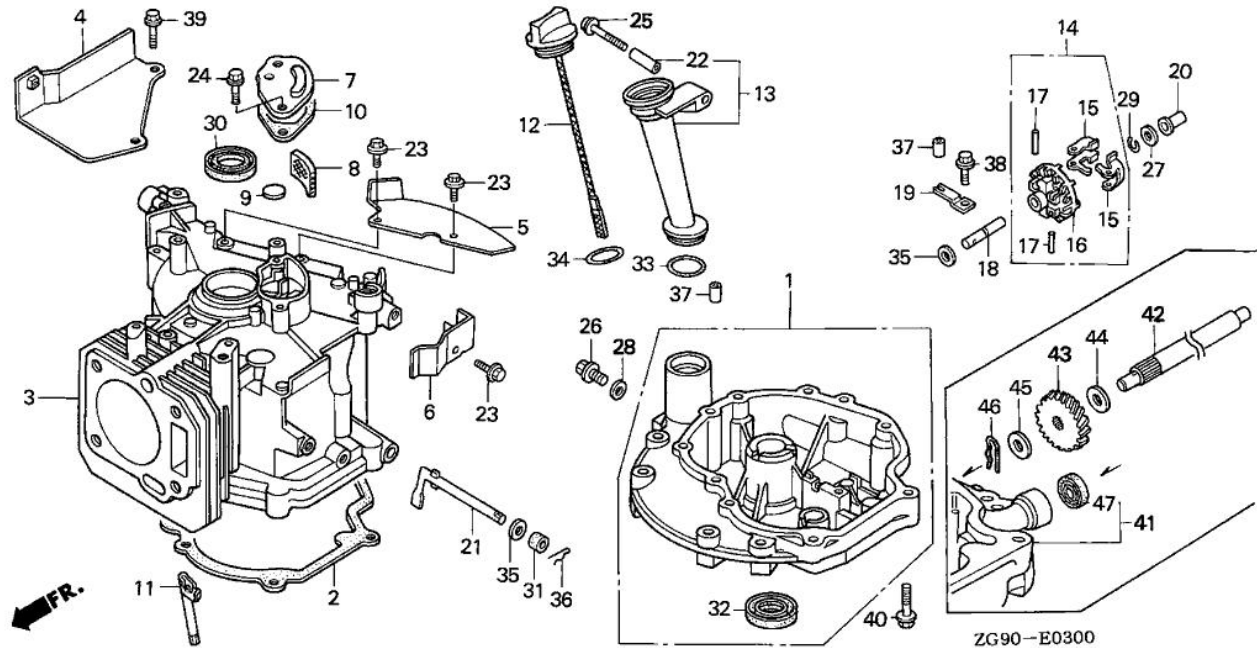


# TRU-POWER, INC.

Model Name	GXV140	Product Line	GENERAL PURPOSE ENGINE
Mfg		Type	A1B
Section	ENGINE	Illustration	CYLINDER HEAD

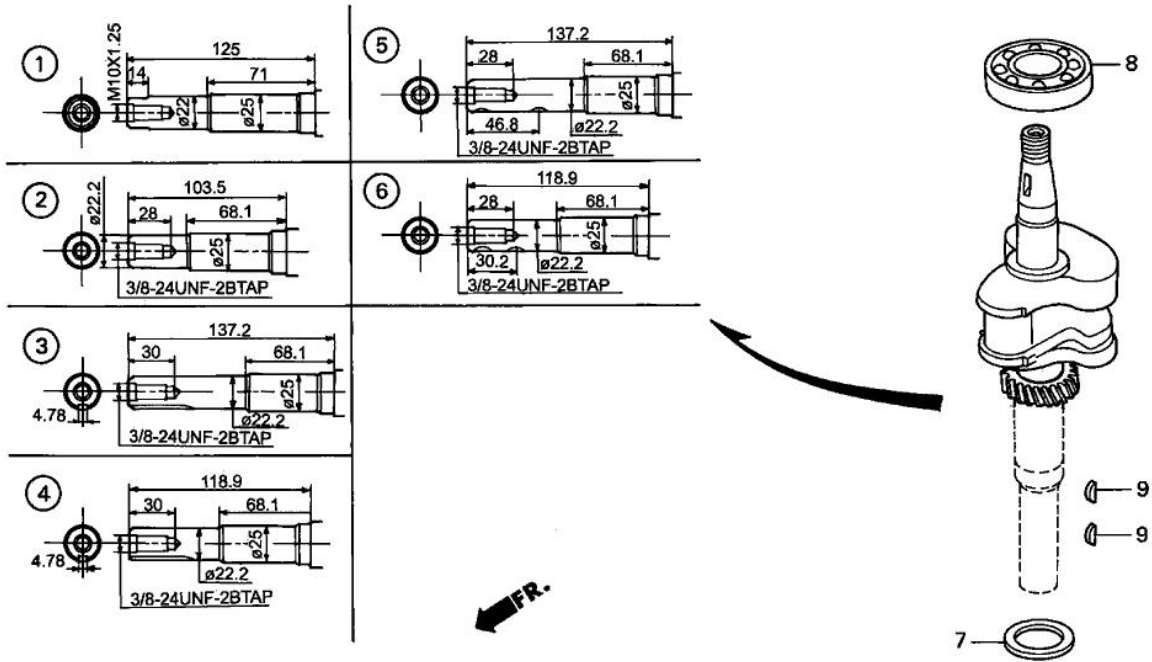


Ref.	Part Number	Part Description	Qty.
001	12200-ZG9-P41	CYLINDER HEAD (USA)	001
002	12205-ZE1-315	GUIDE, EX. VALVE (OVER SIZE)	(1)
003	12216-ZE5-300	CLIP, VALVE GUIDE	001
004	12251-ZG9-000	GASKET, CYLINDER HEAD	001
005	12311-ZG9-800	COVER, HEAD	001
006	12391-ZG9-800	GASKET, HEAD COVER	001
008	94301-10160	PIN, DOWEL (10X16)	002
009	95701-06014-00	BOLT, FLANGE (6X14)	004
009	95701-06016-00	BOLT, FLANGE (6X16)	004
010	95701-08050-00	BOLT, FLANGE (8X50)	004
011	98079-54846	SPARK PLUG (BPR4ES) (NGK)	(1)
011	98079-55846	SPARK PLUG (BPR5ES) (NGK)	001
011	98079-56846	SPARK PLUG (BPR6ES) (NGK)	(1)
012	12204-ZE1-306	GUIDE, VALVE (OVER SIZE)	(1)



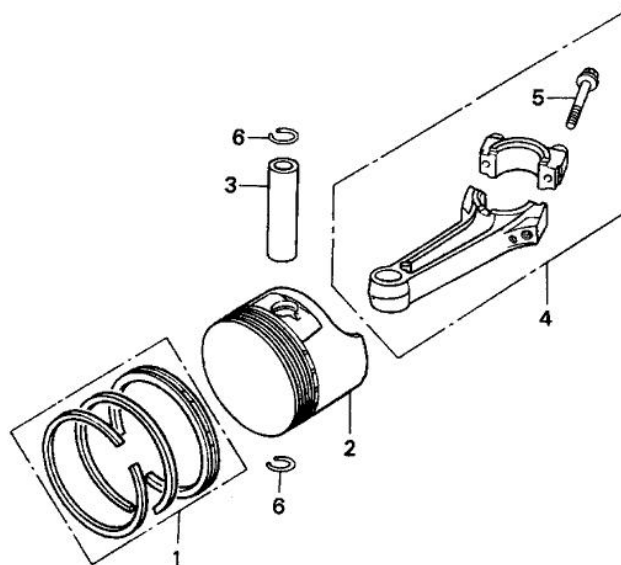
Ref.	Part Number	Part Description	Qty.
001	11300-ZG9-U70	PAN ASSY., OIL (KARCHER)	001
002	11381-ZG9-T00	GASKET, OIL PAN	001
003	12100-ZG9-415	CYLINDER	001
003	12100-ZG9-800	CYLINDER	001
004	12125-ZG9-000	PLATE, GUIDE	001
005	12126-ZG9-M30	PLATE A, GUIDE	001
007	12360-ZE6-000	CAP, BREATHER CHAMBER	001
008	12367-ZE6-010	FILTER, BREATHER	001
009	12372-879-000	VALVE, BREATHER	001
010	12373-ZE6-000	PKG, BRTHR. CAP	001
011	12385-ZE6-000	PIPE, OIL DEFENSE	001
012	15620-ZE6-810	DIPSTICK, OIL	001
013	15630-ZE6-810	EXTENSION, OIL FILLER	001
014	16510-ZE6-000	GOVERNOR ASSY.	001
015	16511-ZE1-000	WEIGHT, GOVERNOR	002
016	16512-ZE6-000	HOLDER, GOVERNOR WEIGHT	001
017	16513-ZE1-000	PIN, GOVERNOR WEIGHT	002
018	16515-ZE6-000	SHAFT, GOVERNOR HOLDER	001
018	16515-ZE6-010	SHAFT, GOVERNOR HOLDER	001
019	16525-ZE6-010	PLATE, GOVERNOR SHAFT HOLDER	001
020	16531-ZE1-000	SLIDER, GOVERNOR	001
021	16541-ZE7-000	SHAFT, GOVERNOR ARM	001
022	17240-ZE6-000	COLLAR, EXTENSION	001
023	90013-883-000	BOLT, FLANGE (6X12) (CT200)	002
024	90014-952-000	BOLT, FLANGE (6X14) (CT200)	002
025	90017-883-000	BOLT, FLANGE (6X32) (CT200)	001
026	90131-ZE1-000	BOLT, DRAIN PLUG	001
027	90451-ZE1-000	WASHER, THRUST (6MM)	001
028	90601-ZE1-000	WASHER, DRAIN PLUG (10.2MM)	001
029	90602-ZE1-000	CLIP, GOVERNOR HOLDER	001
030	91202-ZE6-013	OIL SEAL (22X35X6)	001
031	91231-891-003	OIL SEAL (6X11X4) (ARAI)	001

Ref.	Part Number	Part Description	Qty.
032	91201-ZG9-U71	OIL SEAL (25X38X7)	001
032	91252-888-003	OIL SEAL (25X38X7) (ARAI)	001
033	91301-ZE9-003	O-RING (22.1X2.2)	001
034	91301-805-000	O-RING (26X2.7)	001
035	94101-06800	WASHER, PLAIN (6MM)	002
036	94251-08000	PIN, LOCK (8MM)	001
037	94301-08140	PIN, DOWEL (8X14)	002
038	95701-06012-08	BOLT, FLANGE (6X12)	001
039	95701-06020-00	BOLT, FLANGE (6X20)	002
040	95701-06028-00	BOLT, FLANGE (6X28)	007



ZG90-E0700A

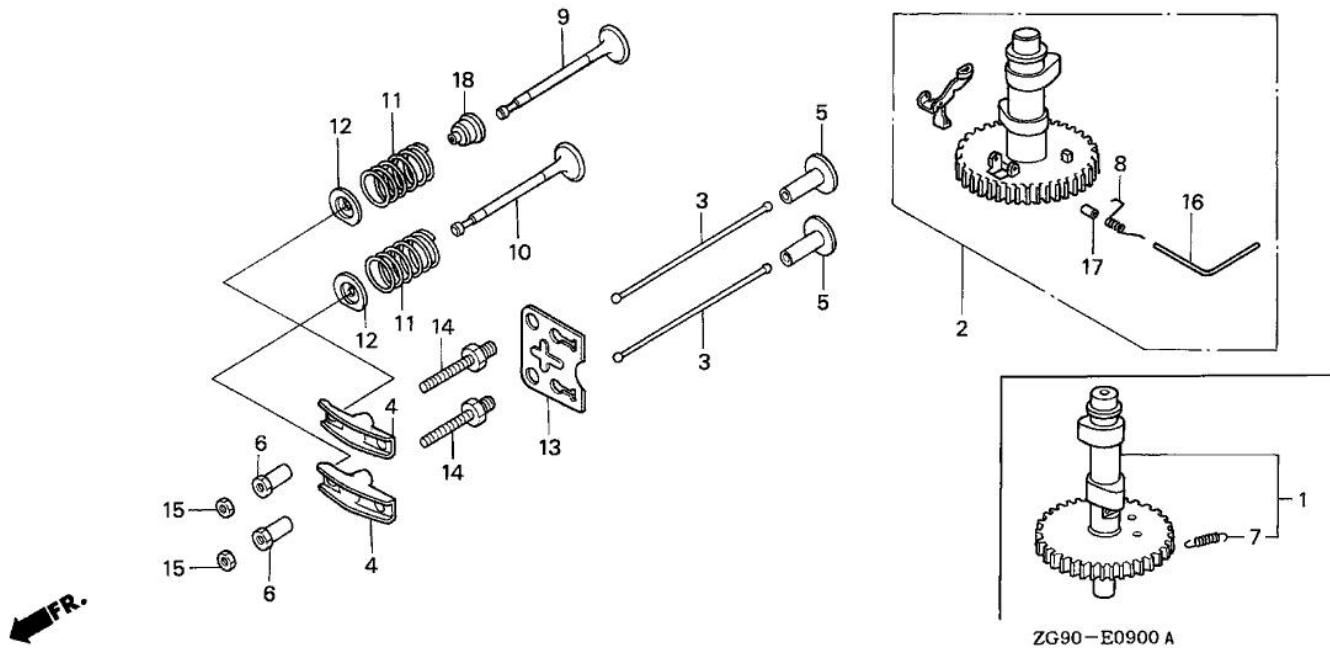
Ref.	Part Number	Part Description	Qty.
005	13310-ZG9-800	CRANKSHAFT	001
008	91001-878-003	BEARING, RADIAL BALL	001
009	94401-16150	KEY, WOODRUFF (16X15)	001



FR.

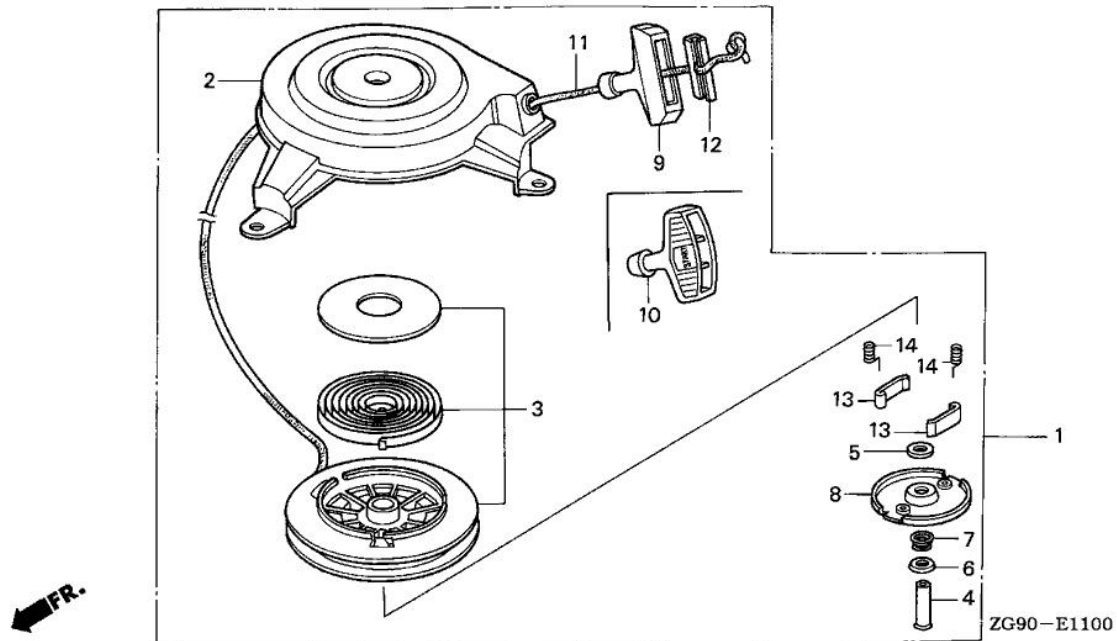
ZG90-E0800

Ref.	Part Number	Part Description	Qty.
001	13010-ZG9-003	RING SET, PISTON (STD) (NIPPON)	001
001	13010-ZG9-004	RING SET, PISTON (STD) (TEIKOKU)	001
001	13011-ZG9-003	RING SET, PISTON (0.25) (NIPPON)	(1)
001	13012-ZG9-004	RING SET, PISTON (0.50) (TEIKOKU)	(1)
001	13013-ZG9-003	RING SET, PISTON (0.75) (NIPPON)	(1)
001	13013-ZG9-T00	RING SET, PISTON (0.75) (GOETZE)	(1)
001	13013-ZG9-T01	RING SET, PISTON (0.75) (FEDERAL MOGUL)	(1)
002	13101-ZG9-000	PISTON (STD)	001
002	13101-ZG9-010	PISTON (STD)	001
002	13102-ZG9-010	PISTON (0.25)	(1)
002	13103-ZG9-000	PISTON (0.50)	(1)
002	13103-ZG9-010	PISTON (0.50)	(1)
002	13104-ZG9-000	PISTON (0.75)	(1)
002	13104-ZG9-010	PISTON (0.75)	(1)
003	13111-ZE0-000	PIN, PISTON	001
004	13200-ZE6-010	ROD ASSY., CONNECTING	001
005	90001-ZE1-000	BOLT, CONNECTING ROD	002
006	90551-ZE0-000	CLIP, PISTON PIN (13MM)	002

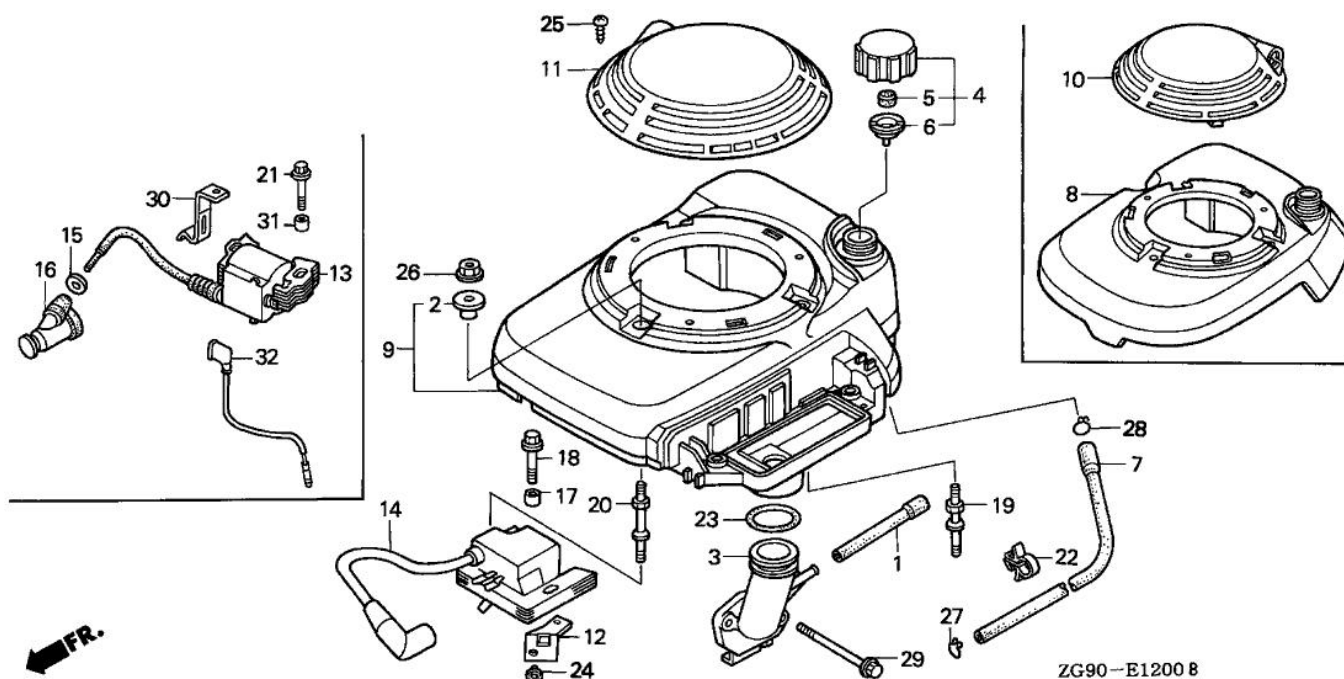


ZG90-E0900 A

Ref.	Part Number	Part Description	Qty.
002	14100-ZG9-800	CAMSHAFT ASSY.	001
003	14410-ZE0-010	ROD, PUSH	002
004	14431-ZE1-000	ARM, VALVE ROCKER	002
005	14441-ZE1-010	LIFTER, VALVE	002
006	14451-ZE1-013	PIVOT, ROCKER ARM	002
006	14451-Z4M-000	PIVOT, ROCKER ARM	002
008	14568-ZG9-800	SPRING, WEIGHT RETURN	001
009	14711-ZG9-810	VALVE, IN.	001
010	14721-ZG9-810	VALVE, EX.	001
011	14751-ZF1-000	SPRING, VALVE	002
012	14771-ZE1-000	RETAINER, IN. VALVE SPRING	002
013	14791-ZE0-010	PLATE, PUSH ROD GUIDE	001
014	90012-ZE0-010	BOLT, PIVOT (8MM)	002
015	90206-ZE1-000	NUT, PIVOT ADJUSTING	002
016	90701-ZG9-800	PIN, WEIGHT CENTER	001
017	91502-ZG9-800	COLLAR, WEIGHT CENTER	001

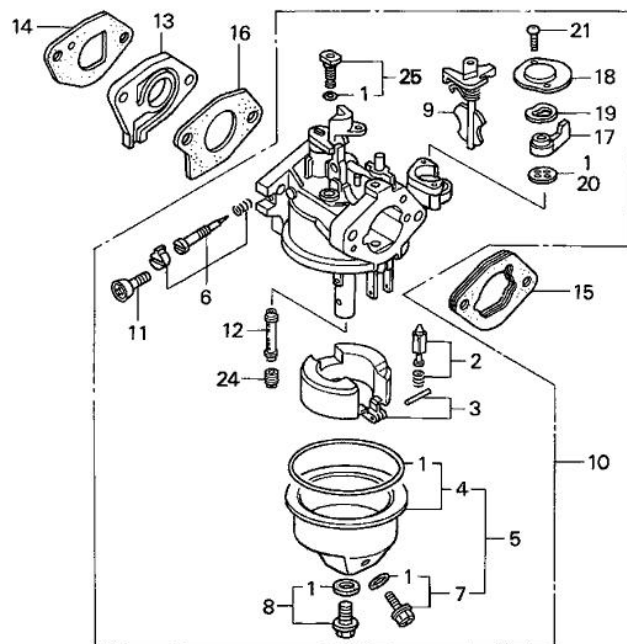


Ref.	Part Number	Part Description	Qty.
001	28400-ZG9-803	STARTER ASSY., RECOIL	001
002	28402-ZG9-802	HOUSING ASSY.	001
003	28415-ZG9-802	PULLEY & SPRING ASSY.	001
004	28419-ZG9-802	PIN, CENTER	001
005	28431-ZG9-802	PLATE A, FRICTION	001
006	28432-ZG9-802	PLATE B, FRICTION	001
007	28441-ZG9-802	SPRING, FRICTION	001
008	28444-ZG9-802	RETAINER	001
009	28461-ZE6-T02	HANDLE	001
011	28462-ZG9-802	ROPE, RECOIL STARTER	001
012	28463-ZE6-T02	HANDLE, REINFORCEMENT	001
013	28485-ZE6-T02	DOG	002
014	28486-ZE6-T02	SPRING, DOG	002



Ref.	Part Number	Part Description	Qty.
001	15721-ZE6-010	TUBE, BREATHER (180MM)	001
002	17216-PE2-003	COLLAR, AIR CLEANER (TOYO ROKI)	003
003	17410-ZG9-800	ELBOW, AIR CLEANER	001
004	17620-ZG9-000	CAP ASSY., FUEL TANK	001
005	17622-888-010	SPONGE, FUEL CAP BREATHER	001
006	17624-ZE7-000	GASKET, FUEL CAP	001
007	17701-ZG9-800	TUBE, FUEL TANK (280MM)	001
009	19610-ZG9-801ZD	COVER, FAN *T50*(BRILL RED)	001
011	19615-ZG9-801ZC	HOOD, FAN COVER *T50* (GRAINED FINISH)(BRILL RED)	001
014	30500-ZG9-801	COIL ASSY., IGNITION	001
017	75133-960-000	COLLAR, ROTO-STOP	002
018	90017-883-000	BOLT, FLANGE (6X32) (CT200)	001
019	90041-ZG9-800	BOLT, STUD (BRAKE)	002
020	90042-ZG9-800	BOLT C, STUD	001
022	90682-959-661	CLIP B, CABLE (9MM BLACK)	001
023	91301-ZG9-800	O-RING (33.3X3.5)	001
025	93913-24580	SCREW, TAPPING (4X20)	001
026	94050-06000	NUT, FLANGE (6MM)	003
027	95002-02080	CLIP, TUBE (B8)	001
028	95002-02100	CLIP, TUBE (B10)	001
029	95801-06100-00	BOLT, FLANGE (6X100)	002

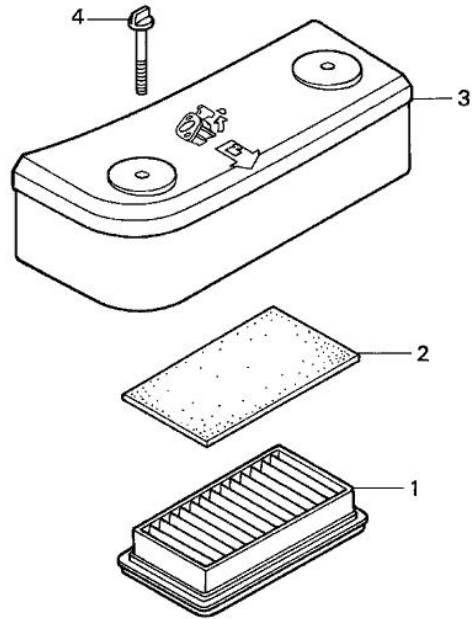




ZG90-E1400

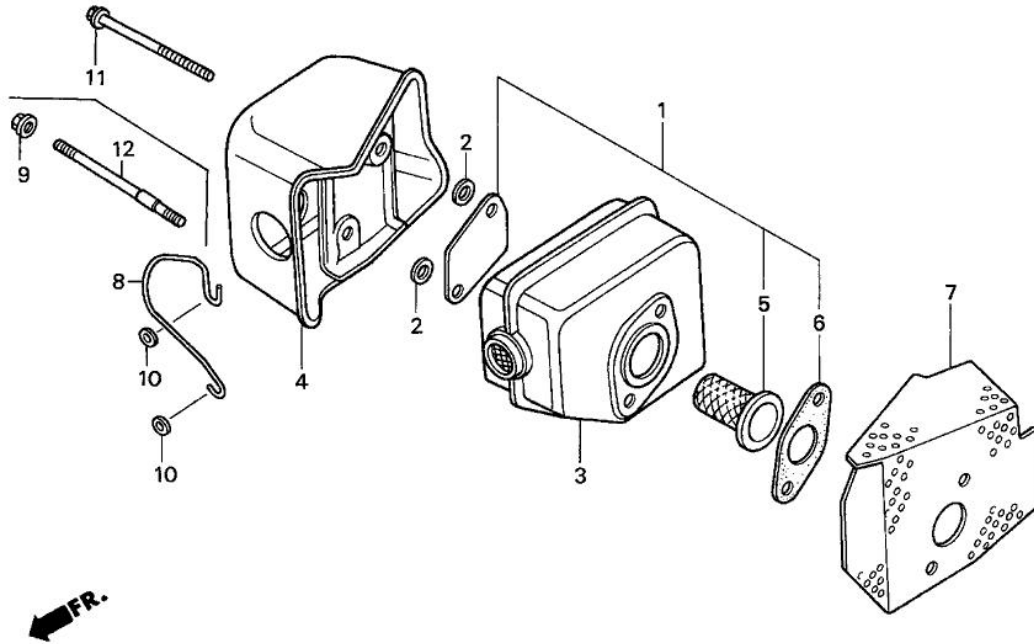
Ref.	Part Number	Part Description	Qty.
001	16010-ZE0-025	GASKET SET (CARBURETOR NO.)	001
001	16010-ZG9-800	GASKET SET (CARBURETOR NO.)	001
002	16011-ZE0-005	VALVE SET, FLOAT (CARBURETOR NO.)	(SEAT NOT INCLUDED) 001
003	16013-ZE0-005	FLOAT SET (CARBURETOR NO.)	001
004	16015-ZE0-831	CHAMBER SET, FLOAT (CARBURETOR NO.)	001
004	16015-ZG9-800	CHAMBER SET, FLOAT (CARBURETOR NO.)	(NOT AVAILABLE) 001
005	16015-ZE0-831	CHAMBER SET, FLOAT (CARBURETOR NO.)	001
006	16016-ZH7-W01	SCREW SET, PILOT (CARBURETOR NO.)	001
007	16024-ZE1-811	SCREW SET, DRAIN (CARBURETOR NO.)	001
008	16028-ZE0-005	SCREW SET (CARBURETOR NO.)	001
008	16028-ZK7-S91	SCREW SET	001
009	16045-ZE7-005	CHOKE SET (CARBURETOR NO.)	001
010	16100-ZG9-803	CARBURETOR ASSY. (BE53A D)	001
011	16124-ZE0-005	SCREW, THROTTLE STOP (CARBURETOR NO.)	001
012	16166-ZG9-801	NOZZLE, MAIN (CARBURETOR NO.)	001
012	16166-ZG9-801	NOZZLE, MAIN (CARBURETOR NO.)	001
013	16211-ZG9-000	INSULATOR, CARBURETOR	001
014	16212-ZG9-T00	GASKET, CARBURETOR	001
015	16220-ZE6-010	SPACER, CARBURETOR	001
016	16221-ZG9-J60	GASKET, CARBURETOR	001
016	16221-ZH8-801	GASKET, CARBURETOR	001
017	16953-ZE1-812	LEVER, PETCOCK (CARBURETOR NO.)	001
018	16954-ZE1-812	PLATE, LEVER SETTING (CARBURETOR NO.)	001
019	16956-ZE1-811	SPRING, PETCOCK LEVER (CARBURETOR NO.)	001
020	16957-ZE1-812	GASKET, PETCOCK (CARBURETOR NO.)	001
021	93500-03006-0H	SCREW, PAN (3X6)	002
024	99101-ZH7-0550	JET, MAIN (#55) (CARBURETOR NO.)	(1)
024	99101-ZH7-0580	JET, MAIN (#58) (CARBURETOR NO.)	(NOT AVAILABLE) (1)
024	99101-ZH7-0600	JET, MAIN (#60) (CARBURETOR NO.)	001
024	99101-ZH8-0520	JET, MAIN (#52) (CARBURETOR NO.)	(1)
024	99101-ZH8-0550	JET, MAIN (#55) (CARBURETOR NO.)	(1)
024	99101-ZK7-0580	JET, MAIN (#58)	001

Ref.	Part Number	Part Description	Qty.
025	99204-ZE2-0380	JET SET, PILOT (#38) (CARBURETOR NO.)	001
025	99204-ZE2-0400	JET SET, PILOT (#40) (CARBURETOR NO.)	001



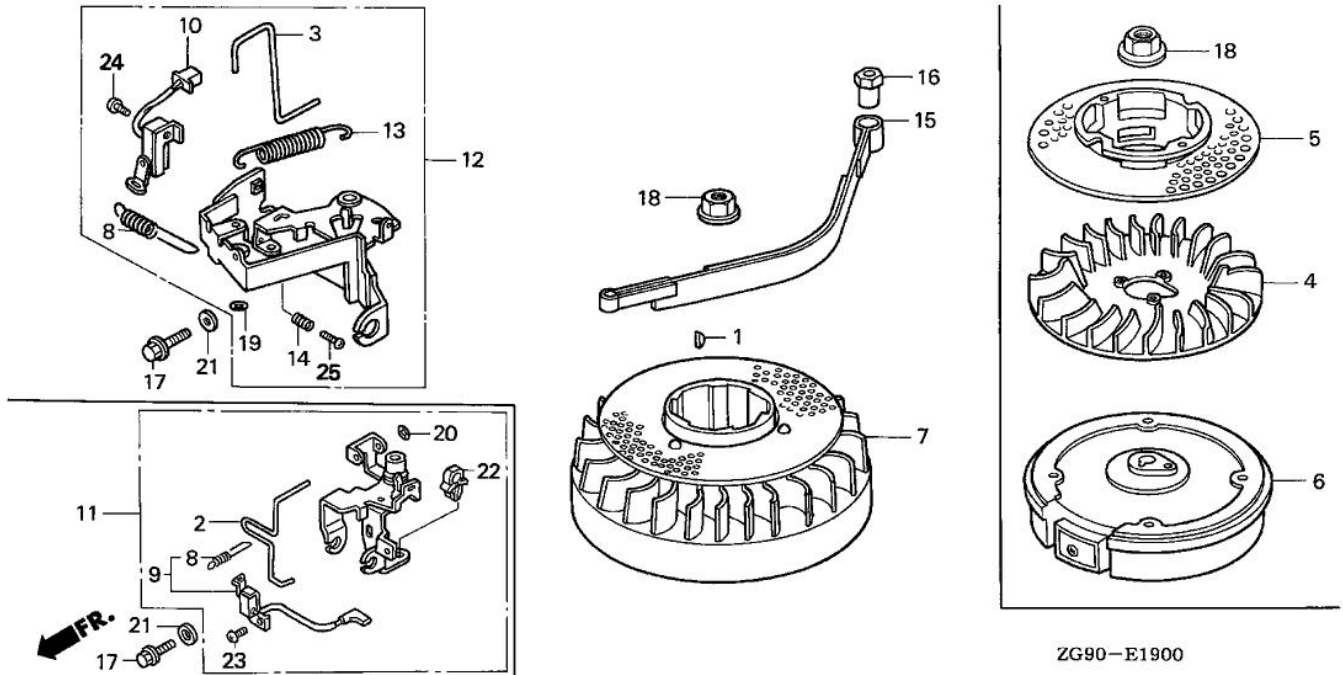
ZG90-E1500

Ref.	Part Number	Part Description	Qty.
001	17211-ZG9-800	ELEMENT, AIR CLEANER	001
002	17218-ZG9-800	FILTER (OUTER)	001
003	17231-ZG9-800ZD	COVER, AIR CLEANER *T50*(BRILL RED)	001
004	90004-ZG9-M00	BOLT, AIR CLEANER (6MM)	002



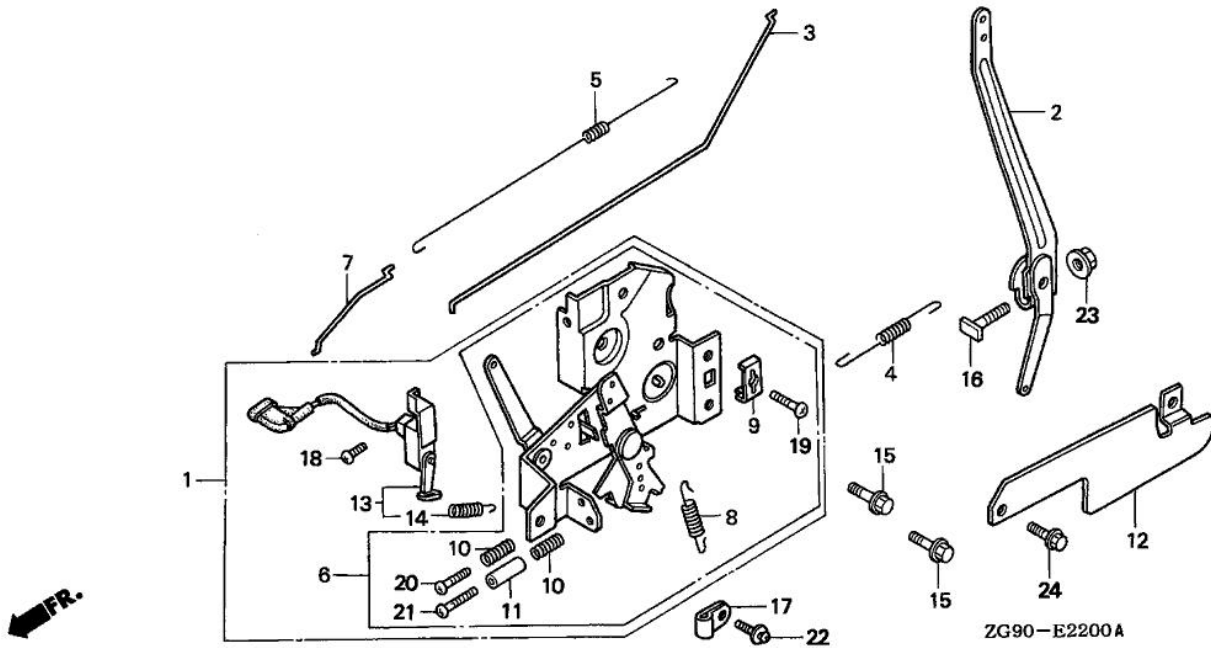
ZG90-E1600

Ref.	Part Number	Part Description	Qty.
001	06180-ZE6-820	ARRESTER KIT, SPARK	(1)
002	18292-ZE7-M10	GASKET, PROTECTOR	002
003	18310-ZE7-W40	MUFFLER COMP (EN)	001
003	18310-ZG9-J01	MUFFLER	001
004	18320-ZG9-M01	PROTECTOR, MUFFLER	001
005	06180-888-505	ARRESTER KIT, SPARK	(1)
006	18381-ZE6-820	GASKET, MUFFLER	(1)
007	18381-ZG9-M00	GASKET, MUFFLER	001
008	18435-ZE7-W40	GUARD, MUFFLER	001
009	90308-SA0-981	NUT, SELF-LOCK (6MM)	002
010	94101-06800	WASHER, PLAIN (6MM)	002
012	90013-ZG9-T00	BOLT, STUD (6X83)	002

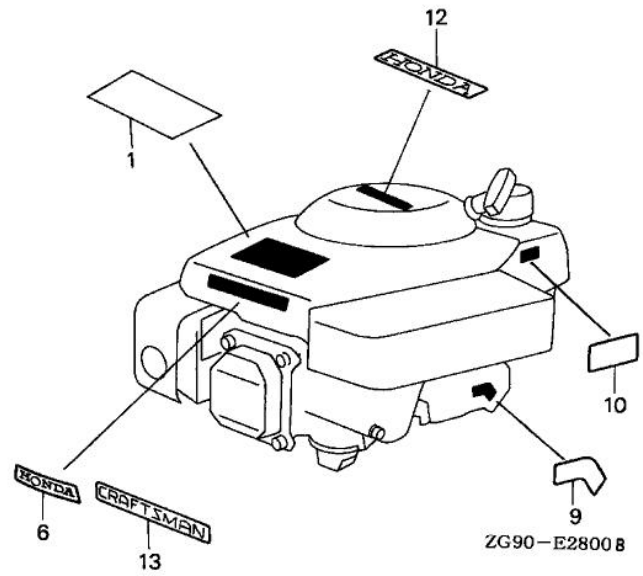
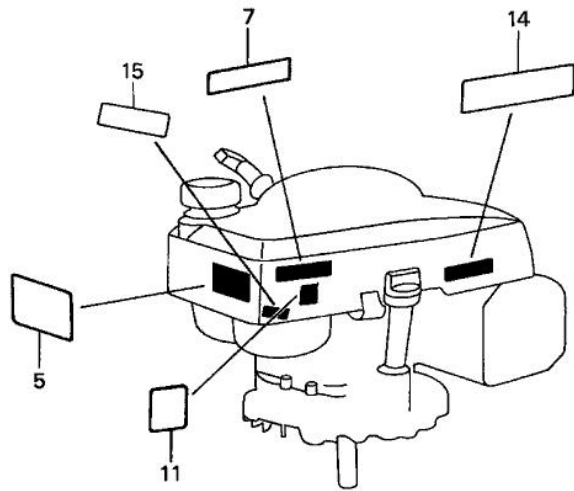


ZG90-E1900

Ref.	Part Number	Part Description	Qty.
001	13331-357-000	KEY, SPECIAL WOODRUFF (25X18)	001
003	16566-ZG9-800	ROD, GOVERNOR ARM RETURN	001
007	31105-ZG9-800	FLYWHEEL ASSY.	001
008	35129-ZG9-800	SPRING, SWITCH CONTROL	001
010	36100-ZG9-811	SWITCH ASSY., ENGINE STOP (BRAKE)	001
012	75101-ZG9-801	LEVER ASSY., BRAKE	001
013	75113-ZG9-800	SPRING, BRAKE LEVER	001
014	75114-ZG9-800	SPRING, BRAKE ADJUSTING	001
015	75120-ZG9-305	BRAKE	001
016	75123-ZG9-800	COLLAR, BRAKE SHAFT	001
017	90014-952-000	BOLT, FLANGE (6X14) (CT200)	001
018	90201-878-003	NUT, SPECIAL (14MM)	001
019	90310-ZB7-701	NUT, PUSH (2.6)	001
021	90463-KRM-840	WASHER, SEALING (6.2X12X1.2)	001
024	93500-04008-0A	SCREW, PAN (4X8)	001
025	93500-05012-0A	SCREW, PAN (5X12)	001



Ref.	Part Number	Part Description	Qty.
002	16551-ZE6-U40	ARM, GOVERNOR (C,G)	001
003	16555-ZE6-000	ROD, GOVERNOR	001
004	16561-ZE6-010	SPRING, GOVERNOR	001
005	16562-ZE6-000	SPRING, THROTTLE RETURN	001
006	16570-ZG9-U20	CONTROL (BRILL)	001
007	16573-ZE6-010	ROD, CHOKE	001
008	16574-ZG9-M00	SPRING, LEVER	001
009	16576-891-000	HOLDER, CABLE	001
010	16584-883-300	SPRING, CONTROL ADJUSTING	002
011	16599-ZG1-M10	COLLAR, STOPPER	001
012	17100-ZE6-000	PROTECTOR, CONTROL	001
015	90014-952-000	BOLT, FLANGE (6X14) (CT200)	002
016	90015-ZE5-010	BOLT, GOVERNOR ARM	001
017	90628-ZC0-701	CLIP (4.4MM)	001
019	93500-05016-0A	SCREW, PAN (5X16)	001
020	93500-05020-0A	SCREW, PAN (5X20)	001
021	90016-ZG9-N30	SCREW, RECESSED (5X25)	001
022	93893-04012-00	SCREW-WASHER (4X12)	001
023	94050-06000	NUT, FLANGE (6MM)	001
024	95701-06010-00	BOLT, FLANGE (6X10)	002



Ref.	Part Number	Part Description	Qty.
001	87101-ZG9-850	EMBLEM (5.0)	001
001	87101-ZG9-U20	EMBLEM (PBH)	001
005	87516-VA9-B50	MARK, OPERATOR CAUTION	001