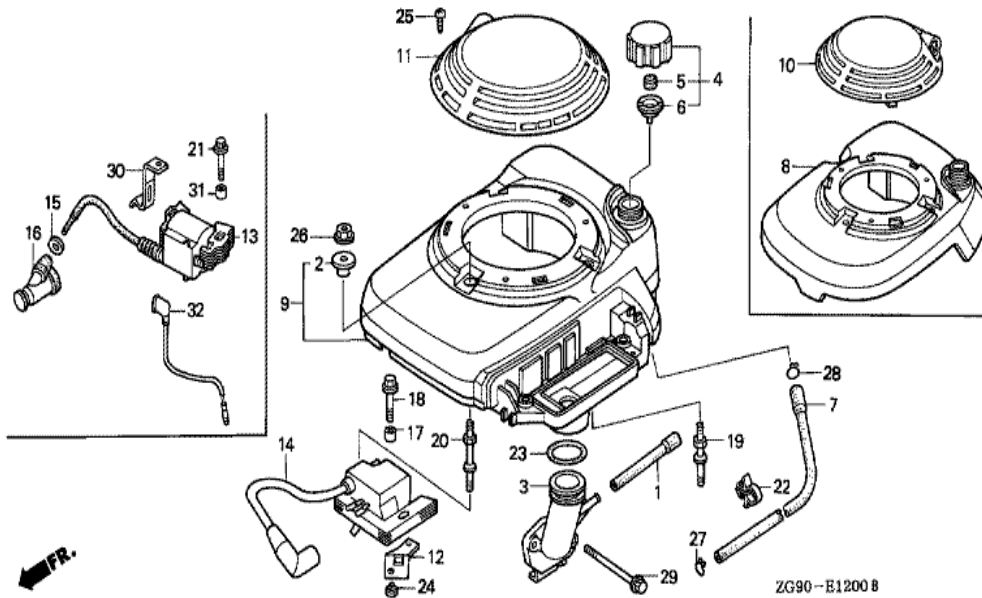
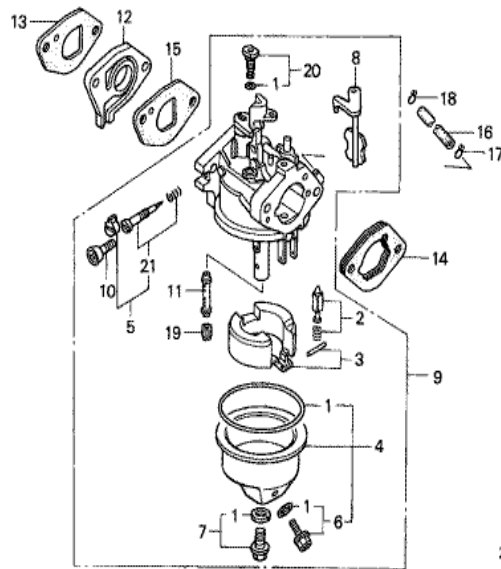


Ref	Partnumber	Description	GXV140	Serial Numbers
001	28400-ZG9-N11	STARTER ASSY., RECOIL	1	
002	28402-ZG9-802	HOUSING ASSY.	1	
003	28415-ZG9-802	PULLEY & SPRING ASSY.	1	
004	28419-ZG9-802	PIN, CENTER	1	
005	28431-ZG9-802	PLATE A, FRICTION	1	
006	28432-ZG9-802	PLATE B, FRICTION	1	
007	28441-ZG9-802	SPRING, FRICTION	1	
008	28444-ZG9-802	RETAINER	1	
010	28461-ZE7-T00	GRIP, STARTER	1	
011	28462-ZG9-802	ROPE, RECOIL STARTER	1	
013	28485-ZE6-T02	DOG	2	
014	28486-ZE6-T02	SPRING, DOG	2	

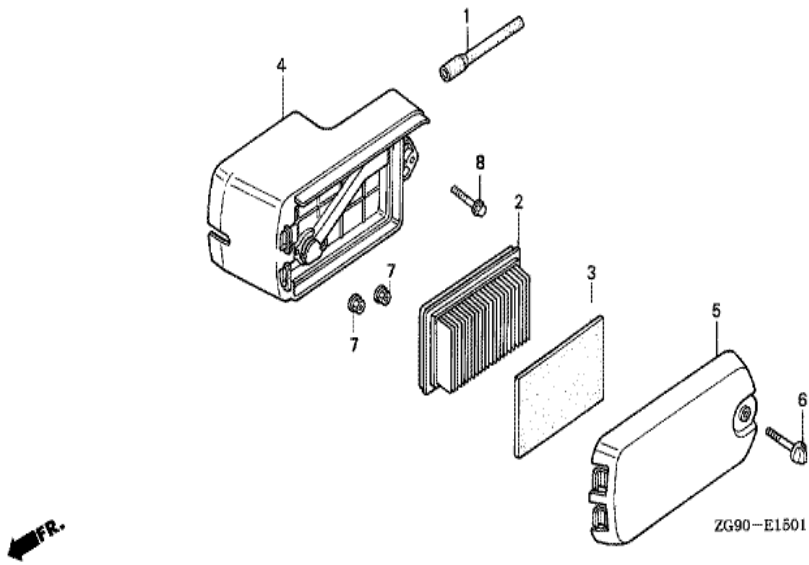


<u>Ref</u>	<u>Partnumber</u>	<u>Description</u>	<u>GXV140</u>	<u>Serial Numbers</u>
002	17216-PE2-003	COLLAR, AIR CLEANER (TOYO ROKI)	3	
004	17620-ZG9-000	CAP ASSY., FUEL TANK	1	
005	17622-888-010	SPONGE, FUEL CAP BREATHER	1	
006	17624-ZE7-000	PACKING, FUEL CAP	1	
007	17522-ZG9-M00	TUBE, FUEL TANK (135MM)	1	
007	17522-ZG9-M10	TUBE, FUEL TANK (135MM)	1	8248060
008	19610-ZG9-M90	COVER COMP., FAN	1	
010	19615-ZG9-M00	HOOD, FAN COVER (GLOSSY FINISH)	1	7359879
012	19616-ZG9-M90	GUIDE, FAN COVER	1	
014	30500-ZG9-801	COIL ASSY., IGNITION	1	
017	75133-960-000	COLLAR, ROTO-STOP	2	
018	90017-883-000	BOLT, FLANGE, 6X32 (CT200)	1	
019	90041-ZG9-800	BOLT, STUD (BRAKE)	2	
<u>Ref</u>	<u>Partnumber</u>	<u>Description</u>	<u>GXV140</u>	<u>Serial Numbers</u>
020	90042-ZG9-800	BOLT, STUD (C)	1	
022	90682-959-661	CLIP B, CABLE (9MM BLACK)	1	
024	91643-SJ8-000	GROMMET, DEFOGGER CORD (15MM)	1	
025	93913-24580	SCREW, TAPPING, 4X20	1	
026	94050-06000	NUT, FLANGE, 6MM	3	
027	95002-02080	CLIP, TUBE (B8)	1	8248059
027	95002-02100	CLIP, TUBE (B10)	1	8248060
028	95002-02100	CLIP, TUBE (B10)	1	

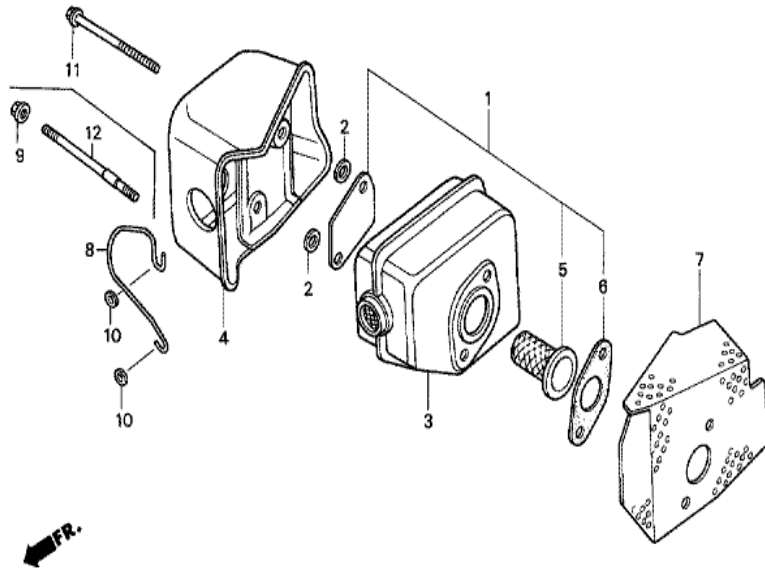


ZG90-E1401

<u>Ref</u>	<u>Partnumber</u>	<u>Description</u>	<u>GXV140</u>	<u>Serial Numbers</u>
001	16010-ZB1-015	GASKET SET	1	
002	16011-ZE0-005	VALVE SET, FLOAT	1	BE52B B
003	16013-ZE0-005	FLOAT SET	1	BE52B B
004	16015-ZE0-831	CHAMBER SET, FLOAT	1	BE52B B
005	16016-ZH8-W01	SCREW SET	1	BE52B C
006	16024-ZE1-811	SCREW SET, DRAIN	1	BE52B B
007	16028-ZE0-005	SCREW SET	1	BE52B B
008	16044-ZE7-005	CHOKE SET	1	
009	16100-ZG9-M12	CARBURETOR ASSY. (BE52B D)	1	7359879
009	16100-ZG9-N10	CARBURETOR ASSY. (BE52D A)	1	
009	16100-ZG9-N11	CARBURETOR ASSY. (BE52D B/C)	1	
010	16124-ZE0-005	SCREW, THROTTLE STOP	1	BE52B B
011	16166-ZG9-M11	NOZZLE, MAIN	1	BE52B B
<u>Ref</u>	<u>Partnumber</u>	<u>Description</u>	<u>GXV140</u>	<u>Serial Numbers</u>
012	16211-ZG9-000	INSULATOR, CARBURETOR	1	7359879
013	16212-ZG9-T00	PACKING, CARBURETOR	1	
014	16220-ZE6-010	SPACER COMP., CARBURETOR	1	7359879
015	16221-ZG9-T00	PACKING, CARBURETOR	1	7359879
016	17523-ZG9-M00	TUBE, FUEL VALVE (170MM)	1	8248060
016	95001-4516540	TUBE, FUEL, 4.5X165 (95001-45001-60M)	1	8248059
017	95002-02080	CLIP, TUBE (B8)	1	7359879
018	95002-02080	CLIP, TUBE (B8)	1	7761078
018	95002-02100	CLIP, TUBE (B10)	1	8248060
019	99101-ZH80500	JET, MAIN, #50	(1)	
019	99101-ZH80520	JET, MAIN, #52	(1)	BE52B B
019	99101-ZH80550	JET, MAIN, #55	1	BE52B B
020	99204-ZE00350	JET SET, PILOT, #35	1	BE52B B
021	16016-ZA0-931	SCREW SET, PILOT	1	BE53D C

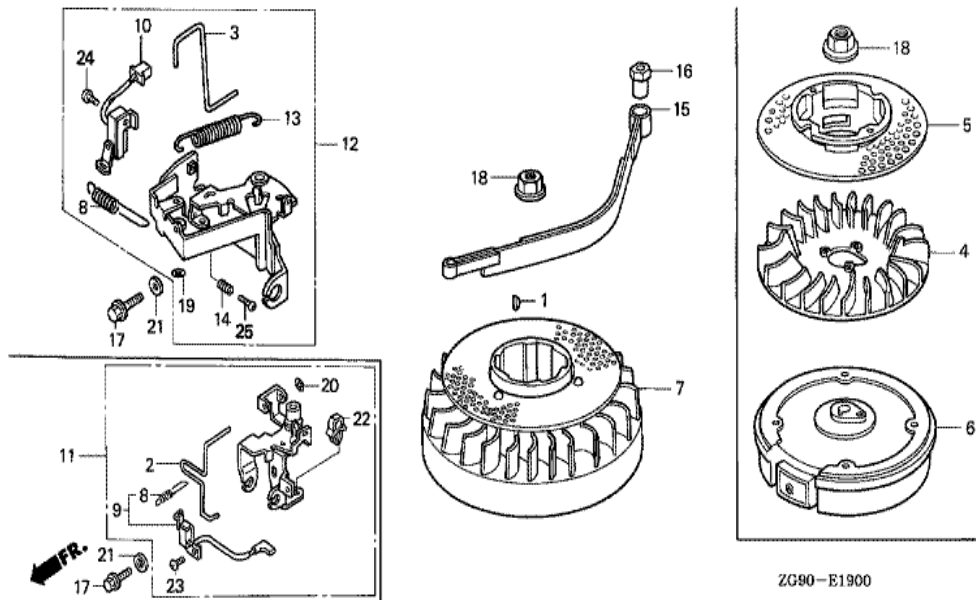


Ref	Partnumber	Description	GXV140	Serial Numbers
001	15721-ZG9-M00	TUBE, BREATHER (110MM)	1	7359879
002	17211-ZG9-M00	ELEMENT, AIR CLEANER	1	7359879
003	17218-ZG9-M00	FILTER, OUTER	1	
004	17220-ZG9-M00	CASE COMP., AIR CLEANER	1	7359879
005	17231-ZG9-M00	COVER, AIR CLEANER	1	7359879
006	90004-ZG9-M00	BOLT, AIR CLEANER, 6MM	1	7359879
007	94050-06000	NUT, FLANGE, 6MM	2	7359879
008	95701-0603200	BOLT, FLANGE, 6X32	1	

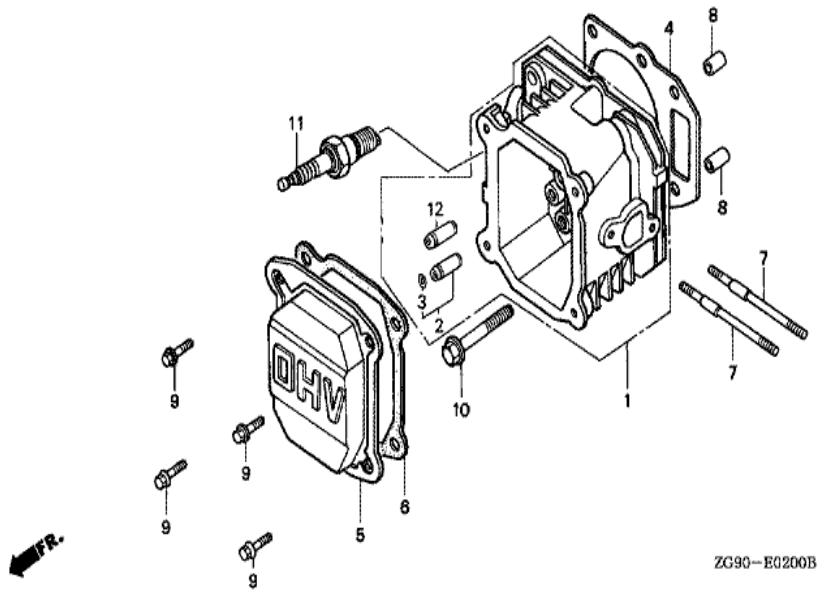


ZG90-E1600

Ref	Partnumber	Description	GXV140	Serial Numbers
001	06180-ZE6-820	ARRESTER KIT, SPARK	(1)	
002	18292-ZE7-M10	PACKING, PROTECTOR	2	
003	18310-ZG9-J01	MUFFLER COMP.	1	6839527
004	18320-ZG9-M01	PROTECTOR COMP., MUFFLER	1	
005	18355-888-810	ARRESTER, SPARK	(1)	
006	18381-ZE6-820	GASKET, MUFFLER	(1)	
007	18381-ZG9-M00	GASKET, MUFFLER	1	
009	90308-SA0-981	NUT, SELF-LOCK, 6MM	2	8103697
011	95801-0608500	BOLT, FLANGE, 6X85	2	8103698
012	90013-ZG9-T00	BOLT, STUD, 6X83	2	8103697

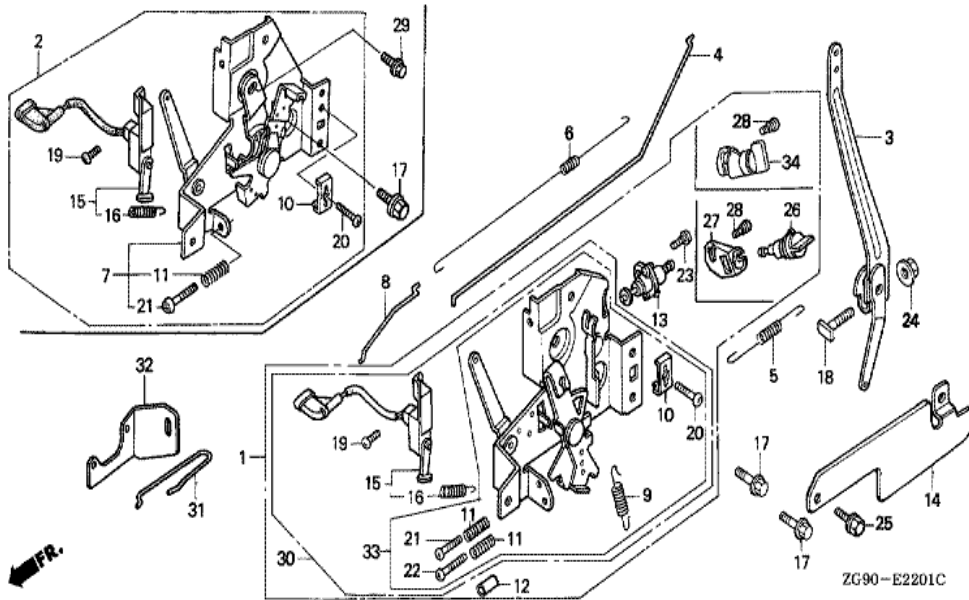


<u>Ref</u>	<u>Partnumber</u>	<u>Description</u>	<u>GXV140</u>	<u>Serial Numbers</u>
001	13331-357-000	KEY, SPECIAL WOODRUFF, 25X18	1	
002	16566-ZG9-M90	ROD, GOVERNOR ARM RETURN	1	
007	31105-ZG9-800	FLYWHEEL ASSY.	1	
008	35129-ZG9-800	SPRING, SWITCH CONTROL	1	
009	36100-ZG9-M91	SWITCH ASSY., ENGINE STOP (BRAKE)	1	
011	75101-ZG9-M90	LEVER ASSY., BRAKE	1	
015	75120-ZG9-801	BRAKE COMP.	1	
016	75123-ZG9-800	COLLAR, BRAKE SHAFT	1	
017	90014-952-000	BOLT, FLANGE, 6X14 (CT200)	1	
018	90201-878-003	NUT, SPECIAL, 14MM	1	
020	90331-SB2-003	NUT, SPEED	1	
021	90461-357-000	WASHER, SEALING, 12MM	1	
022	90660-ZA0-600	CLIP, ENGINE KILL SWITCH CORD	1	
<u>Ref</u>	<u>Partnumber</u>	<u>Description</u>	<u>GXV140</u>	<u>Serial Numbers</u>
023	93500-040060A	SCREW, PAN, 4X6	1	



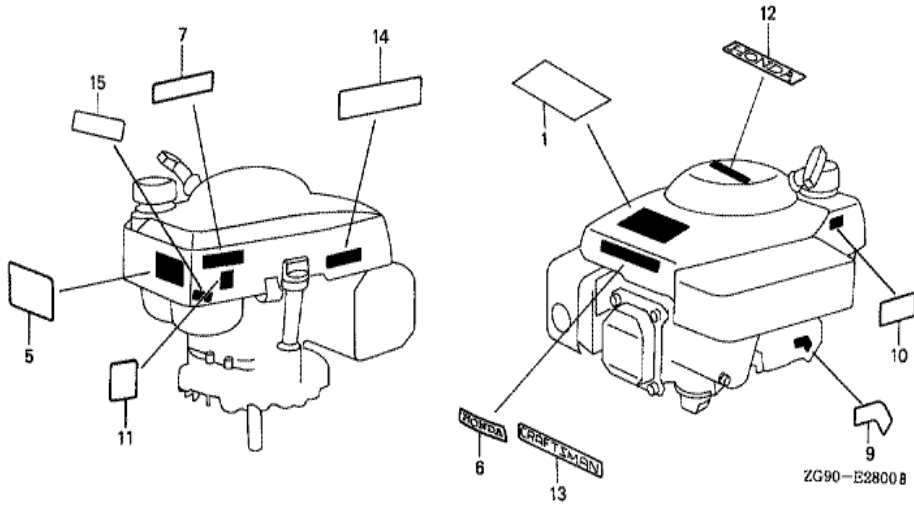
ZG90-E0200B

<u>Ref</u>	<u>Partnumber</u>	<u>Description</u>	<u>GXV140</u>	<u>Serial Numbers</u>
001	12200-ZG9-P40	HEAD COMP., CYLINDER (USA)	1	6324986 7663555
002	12205-ZE1-315	GUIDE, EX. VALVE (OS)	(1)	
003	12216-ZE5-300	CLIP, VALVE GUIDE	1	
004	12251-ZG9-000	GASKET, CYLINDER HEAD	1	
005	12311-ZG9-800	COVER, HEAD	1	
006	12391-ZG9-800	PACKING, HEAD COVER	1	
007	90013-ZG9-T00	BOLT, STUD, 6X83	2	7359879
008	94301-10160	DOWEL PIN, 10X16	2	
009	95701-0601400	BOLT, FLANGE, 6X14	4	6839526
010	95701-0805000	BOLT, FLANGE, 8X50	4	
011	98079-54846	PLUG, SPARK (BPR4ES) (NGK)	(1)	
011	98079-55846	PLUG, SPARK (BPR5ES) (NGK)	1	
011	98079-56846	PLUG, SPARK (BPR6ES) (NGK)	(1)	
<u>Ref</u>	<u>Partnumber</u>	<u>Description</u>	<u>GXV140</u>	<u>Serial Numbers</u>
012	12204-ZE1-306	GUIDE, IN. VALVE (OS)	(1)	6324986

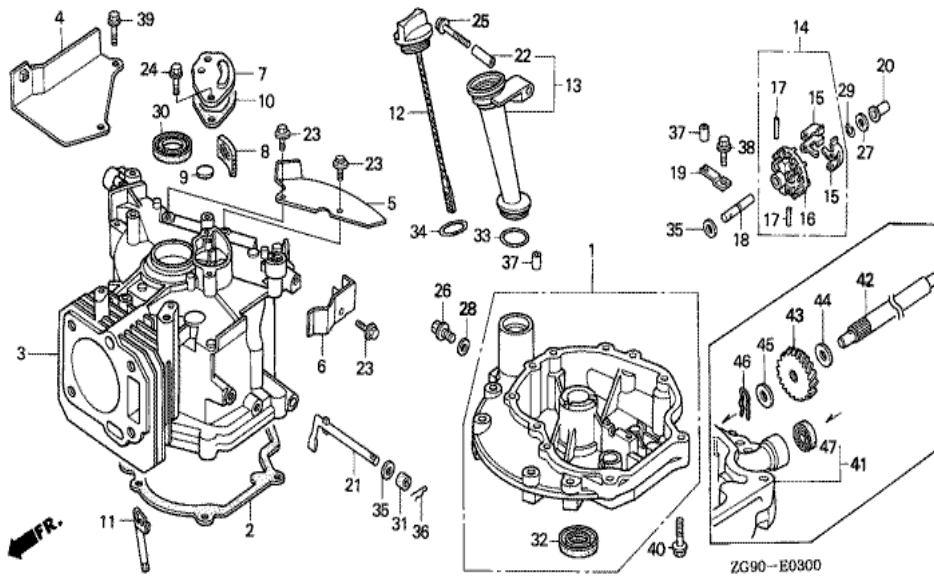


ZG90-E2201C

<u>Ref</u>	<u>Partnumber</u>	<u>Description</u>	<u>GXV140</u>	<u>Serial Numbers</u>
001	16500-ZG9-830	CONTROL ASSY. (EN)	1	8248059
001	16500-ZG9-P70	CONTROL ASSY. (SEL)	1	8248060
003	16551-ZE6-U40	ARM COMP., GOVERNOR (C,G)	1	
004	16555-ZE6-000	ROD, GOVERNOR	1	7359879
005	16561-ZE6-010	SPRING, GOVERNOR	1	7359879
006	16562-ZE6-000	SPRING, THROTTLE RETURN	1	7359879
008	16573-ZE6-010	ROD, CHOKE	1	7359879
009	16574-ZG9-M00	SPRING, LEVER	1	7359879
010	16576-891-000	HOLDER, CABLE	1	8248059
011	16584-883-300	SPRING, CONTROL ADJUSTING	2	7359879
012	16599-ZG1-M10	COLLAR, STOPPER	1	8248059
013	16950-ZG9-M00	COCK ASSY., FUEL	1	8248059
017	90014-952-000	BOLT, FLANGE, 6X14 (CT200)	2	7359879
<u>Ref</u>	<u>Partnumber</u>	<u>Description</u>	<u>GXV140</u>	<u>Serial Numbers</u>
018	90015-ZE5-010	BOLT, GOVERNOR ARM	1	7359879
020	93500-050160A	SCREW, PAN, 5X16	1	7359879
021	93500-050200A	SCREW, PAN, 5X20	1	7359879
022	90016-ZG9-N30	SCREW, RECESSED, 5X25	1	8248059
023	93892-0501200	SCREW-WASHER, 5X12	1	
024	94050-06000	NUT, FLANGE, 6MM	1	7359879
026	16950-ZG9-M02	COCK ASSY., FUEL	1	8248060
027	16956-ZG9-M00	BRACKET, FUEL COCK	1	8248060
028	90006-ZG9-M00	SCREW, SHOULDER, 5X12	1	8248060

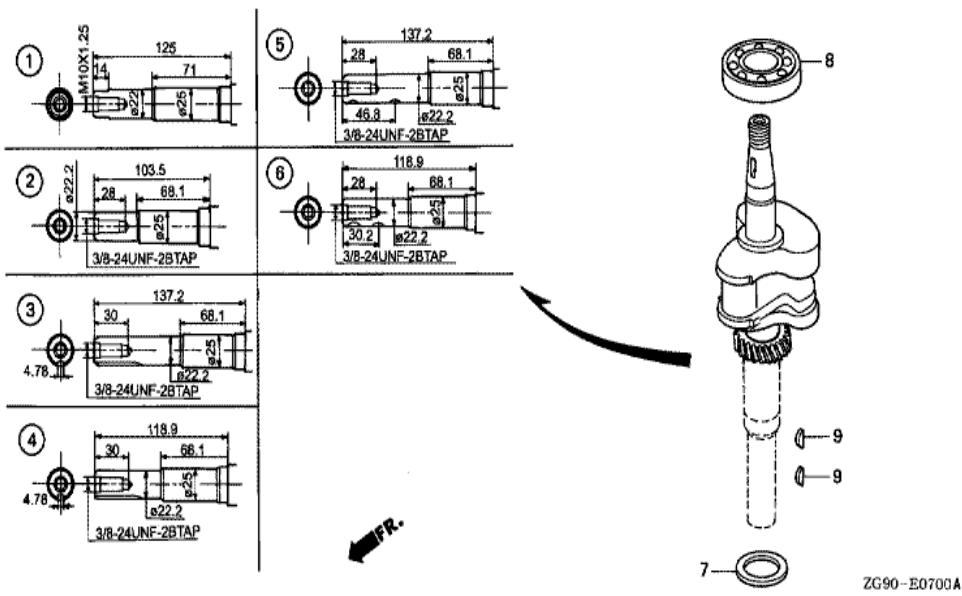


Ref	Partnumber	Description	GXV140	Serial Numbers
001	87101-ZG9-850	EMBLEM (5.0)	1	7743175
006	87531-VE0-B50	MARK, HONDA	1	
015	87135-ZE2-010	LABEL, E-SPEC (EPA STANDARD) (15.5X60.0)	1	

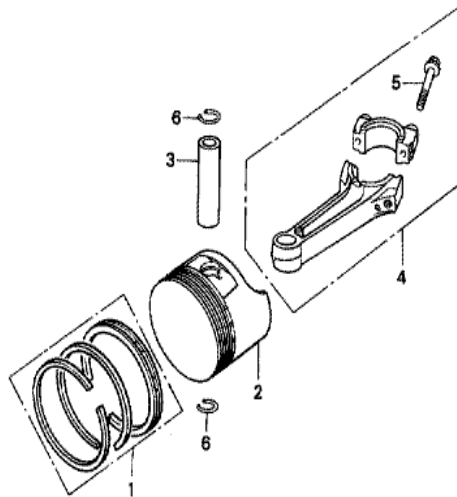


Ref	Partnumber	Description	GXV140	Serial Numbers
001	11300-ZG9-800	PAN ASSY., OIL (USA-PUSH)	1	7170417
002	11381-ZG9-T00	PACKING, OIL PAN	1	
003	12100-ZG9-405	BARREL COMP., CYLINDER	1	
004	12125-ZG9-000	PLATE, GUIDE	1	
005	12126-ZG9-M30	PLATE A, GUIDE	1	
007	12360-ZE6-000	CAP COMP., BREATHER CHAMBER	1	
008	12367-ZE6-010	FILTER, BREATHER	1	
009	12372-879-000	VALVE, BREATHER	1	
010	12373-ZE6-000	PACKING, BREATHER CHAMBER	1	
011	12385-ZE6-000	PIPE, OIL DEFENSE	1	
012	15620-ZE6-810	GAUGE COMP., OIL LEVEL	1	
013	15630-ZE6-810	EXTENSION, OIL FILLER	1	
014	16510-ZE6-000	GOVERNOR ASSY.	1	

<u>Ref</u>	<u>Partnumber</u>	<u>Description</u>	<u>GXV140</u>	<u>Serial Numbers</u>
015	16511-ZE1-000	WEIGHT, GOVERNOR	2	
016	16512-ZE6-000	HOLDER, GOVERNOR WEIGHT	1	
017	16513-ZE1-000	PIN, GOVERNOR WEIGHT	2	
018	16515-ZE6-000	SHAFT, GOVERNOR HOLDER	1	
019	16525-ZE6-010	PLATE, GOVERNOR SHAFT HOLDER	1	
020	16531-ZE1-000	SLIDER, GOVERNOR	1	
021	16541-ZE7-000	SHAFT, GOVERNOR ARM	1	
022	17240-ZE6-000	COLLAR, EXTENSION	1	
023	90013-883-000	BOLT, FLANGE, 6X12 (CT200)	3	7359878
024	90014-952-000	BOLT, FLANGE, 6X14 (CT200)	2	
025	90017-883-000	BOLT, FLANGE, 6X32 (CT200)	1	
026	90131-ZE1-000	BOLT, DRAIN PLUG	1	
027	90451-898-000	WASHER, THRUST, 6MM	1	
028	90601-ZE1-000	WASHER, DRAIN PLUG, 10.2MM	1	
029	90602-ZE1-000	CLIP, GOVERNOR HOLDER	1	
030	91202-ZE6-003	OIL SEAL, 22X35X6	1	
031	91231-891-003	OIL SEAL, 6X11X4 (ARAI)	1	
032	91252-888-003	OIL SEAL, 25X38X7 (ARAI)	1	
033	91301-ZE9-003	O-RING, 22.1X2.2	1	
034	91301-805-000	O-RING, 26X2.7	1	
035	94101-06800	WASHER, PLAIN, 6MM	2	
036	94251-08000	PIN, LOCK, 8MM	1	
037	94301-08140	DOWEL PIN, 8X14	2	
038	95701-0601208	BOLT, FLANGE, 6X12	1	
039	95701-0602000	BOLT, FLANGE, 6X20	2	
040	95701-0602800	BOLT, FLANGE, 6X28	7	



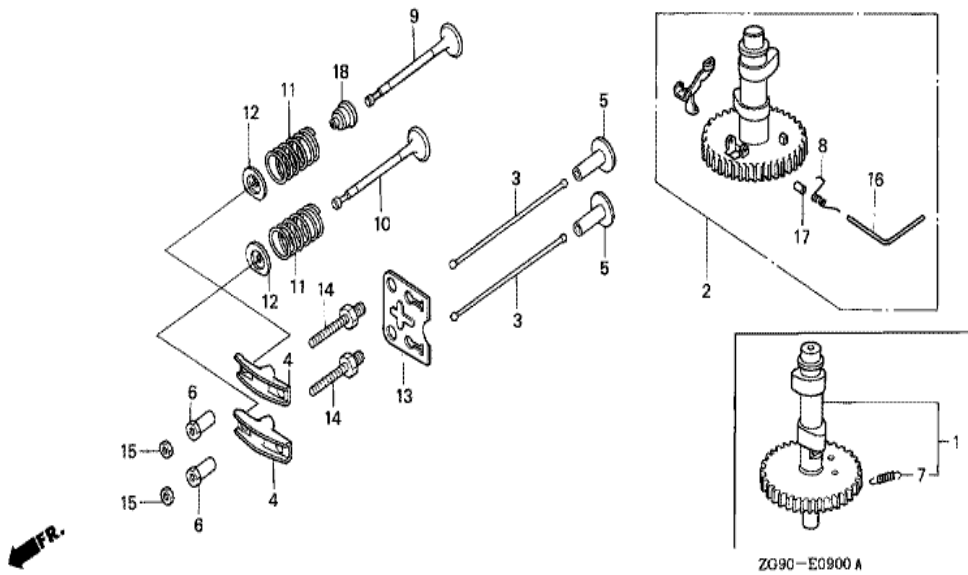
Ref	Partnumber	Description	GXV140	Serial Numbers
005	13310-ZG9-800	CRANKSHAFT COMP.	1	
008	91001-878-003	BEARING, RADIAL BALL,	1	
009	94401-16150	KEY, WOODRUFF, 16X15	1	



FR.

ZG90-E0800

Ref	Partnumber	Description	GXV140	Serial Numbers
001	13010-ZG9-T01	RING SET, PISTON (STD.) (FEDERAL MOGUL)	1	7666484
001	13011-ZG9-T01	RING SET, PISTON (0.25) (FEDERAL MOGUL)	(1)	7666484
001	13012-ZG9-T01	RING SET, PISTON (0.50) (FEDERAL MOGUL)	(1)	7666484
001	13013-ZG9-T01	RING SET, PISTON (0.75) (FEDERAL MOGUL)	(1)	7666484
002	13101-ZG9-010	PISTON (STD.)	1	
002	13102-ZG9-010	PISTON (0.25)	(1)	
002	13103-ZG9-010	PISTON (0.50)	(1)	
002	13104-ZG9-010	PISTON (0.75)	(1)	
003	13111-ZE0-000	PIN, PISTON	1	
004	13200-ZE6-010	ROD ASSY., CONNECTING	1	
005	90001-ZE1-000	BOLT, CONNECTING ROD	2	
006	90551-ZE0-000	CLIP, PISTON PIN, 13MM	2	



<u>Ref</u>	<u>Partnumber</u>	<u>Description</u>	<u>GXV140</u>	<u>Serial Numbers</u>
002	14100-ZG9-800	CAMSHAFT ASSY.	1	
003	14410-ZE0-010	ROD, PUSH	2	
004	14431-ZE1-000	ARM, VALVE ROCKER	2	
005	14441-ZE1-010	LIFTER, VALVE	2	
006	14451-ZE1-013	PIVOT, ROCKER ARM	2	
008	14568-ZG9-800	SPRING, WEIGHT RETURN	1	
009	14711-ZG9-810	VALVE, IN.	1	
010	14721-ZG9-810	VALVE, EX.	1	
011	14751-ZF1-000	SPRING, VALVE	2	
012	14771-ZE1-000	RETAINER, IN. VALVE SPRING	2	
013	14791-ZE0-010	PLATE, PUSH ROD GUIDE	1	
014	90012-ZE0-010	BOLT, PIVOT, 8MM	2	
015	90206-ZE1-000	NUT, PIVOT ADJUSTING	2	
<u>Ref</u>	<u>Partnumber</u>	<u>Description</u>	<u>GXV140</u>	<u>Serial Numbers</u>
016	90701-ZG9-800	PIN, WEIGHT CENTER	1	
017	91502-ZG9-800	COLLAR, WEIGHT CENTER	1	
018	12209-ZE6-003	SEAL, VALVE STEM	1	7663556



HENG-X0003

<u>Ref</u>	<u>Partnumber</u>	<u>Description</u>	<u>GXV140</u>	<u>Serial Numbers</u>
001	061C1-ZG9-T00	GASKET KIT	1	