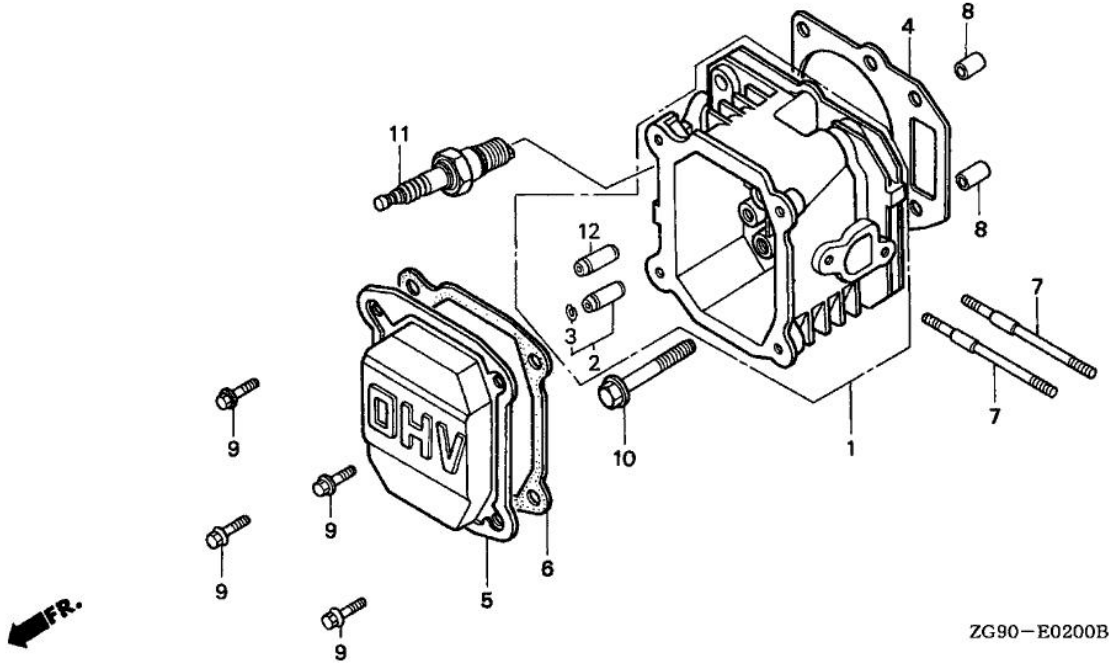
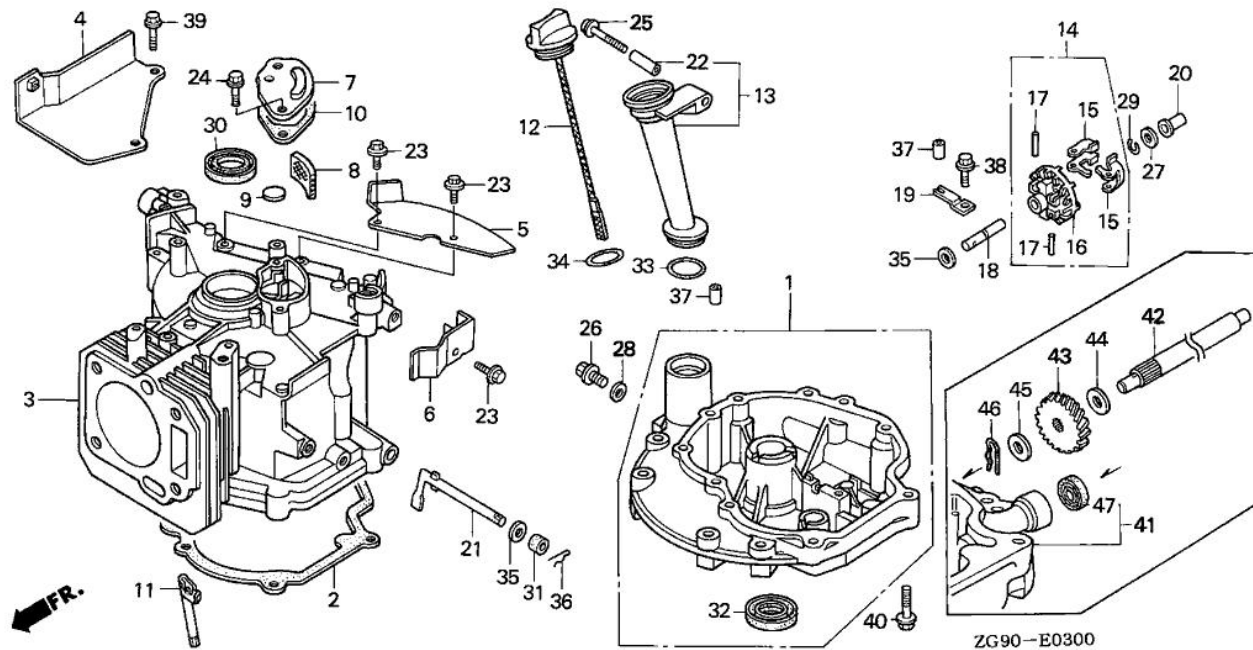


TRU-POWER, INC.

| | | | |
|------------|--------|--------------|------------------------|
| Model Name | GXV140 | Product Line | GENERAL PURPOSE ENGINE |
| Mfg | | Type | A1 |
| Section | ENGINE | Illustration | CYLINDER HEAD |

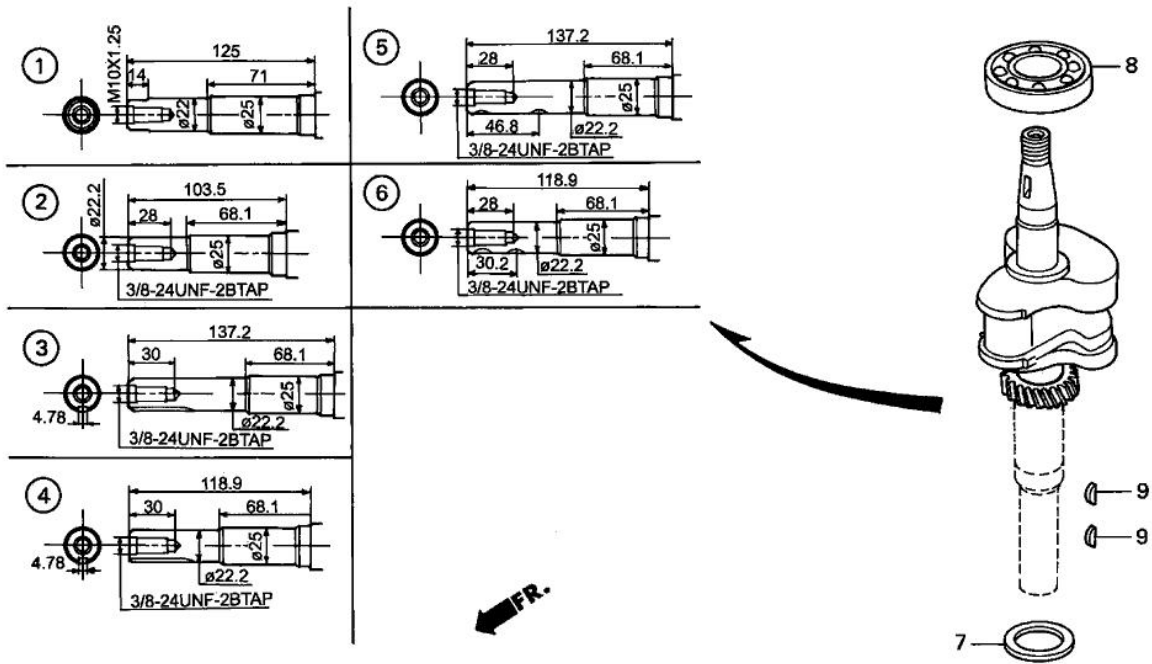


| Ref. | Part Number | Part Description | Qty. |
|------|----------------|------------------------------|------|
| 001 | 12200-ZG9-P41 | CYLINDER HEAD (USA) | 001 |
| 002 | 12205-ZE1-315 | GUIDE, EX. VALVE (OVER SIZE) | (1) |
| 003 | 12216-ZE5-300 | CLIP, VALVE GUIDE | 001 |
| 004 | 12251-ZG9-000 | GASKET, CYLINDER HEAD | 001 |
| 005 | 12311-ZG9-800 | COVER, HEAD | 001 |
| 006 | 12391-ZG9-800 | GASKET, HEAD COVER | 001 |
| 008 | 94301-10160 | PIN, DOWEL (10X16) | 002 |
| 009 | 95701-06014-00 | BOLT, FLANGE (6X14) | 004 |
| 010 | 95701-08050-00 | BOLT, FLANGE (8X50) | 004 |
| 011 | 98079-54846 | SPARK PLUG (BPR4ES) (NGK) | (1) |
| 011 | 98079-55846 | SPARK PLUG (BPR5ES) (NGK) | 001 |
| 011 | 98079-56846 | SPARK PLUG (BPR6ES) (NGK) | (1) |
| 012 | 12204-ZE1-306 | GUIDE, VALVE (OVER SIZE) | (1) |



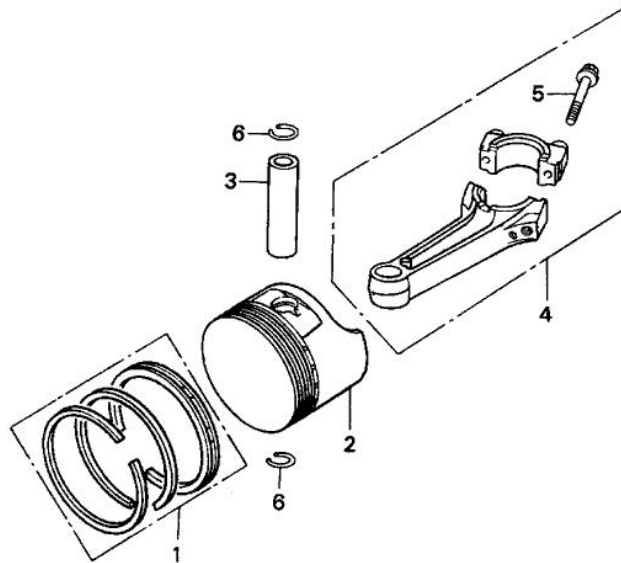
| Ref. | Part Number | Part Description | Qty. |
|------|---------------|------------------------------|------|
| 001 | 11300-ZG9-U70 | PAN ASSY., OIL (KARCHER) | 001 |
| 002 | 11381-ZG9-T00 | GASKET, OIL PAN | 001 |
| 003 | 12100-ZG9-415 | CYLINDER | 001 |
| 003 | 12100-ZG9-800 | CYLINDER | 001 |
| 004 | 12125-ZG9-000 | PLATE, GUIDE | 001 |
| 005 | 12126-ZG9-M30 | PLATE A, GUIDE | 001 |
| 007 | 12360-ZE6-000 | CAP, BREATHER CHAMBER | 001 |
| 008 | 12367-ZE6-010 | FILTER, BREATHER | 001 |
| 009 | 12372-879-000 | VALVE, BREATHER | 001 |
| 010 | 12373-ZE6-000 | PKG, BRTHR. CAP | 001 |
| 011 | 12385-ZE6-000 | PIPE, OIL DEFENSE | 001 |
| 012 | 15620-ZE6-810 | DIPSTICK, OIL | 001 |
| 013 | 15630-ZE6-810 | EXTENSION, OIL FILLER | 001 |
| 014 | 16510-ZE6-000 | GOVERNOR ASSY. | 001 |
| 015 | 16511-ZE1-000 | WEIGHT, GOVERNOR | 002 |
| 016 | 16512-ZE6-000 | HOLDER, GOVERNOR WEIGHT | 001 |
| 017 | 16513-ZE1-000 | PIN, GOVERNOR WEIGHT | 002 |
| 018 | 16515-ZE6-000 | SHAFT, GOVERNOR HOLDER | 001 |
| 018 | 16515-ZE6-010 | SHAFT, GOVERNOR HOLDER | 001 |
| 019 | 16525-ZE6-010 | PLATE, GOVERNOR SHAFT HOLDER | 001 |
| 020 | 16531-ZE1-000 | SLIDER, GOVERNOR | 001 |
| 021 | 16541-ZE7-000 | SHAFT, GOVERNOR ARM | 001 |
| 022 | 17240-ZE6-000 | COLLAR, EXTENSION | 001 |
| 023 | 90013-883-000 | BOLT, FLANGE (6X12) (CT200) | 002 |
| 024 | 90014-952-000 | BOLT, FLANGE (6X14) (CT200) | 002 |
| 025 | 90017-883-000 | BOLT, FLANGE (6X32) (CT200) | 001 |
| 026 | 90131-ZE1-000 | BOLT, DRAIN PLUG | 001 |
| 027 | 90451-ZE1-000 | WASHER, THRUST (6MM) | 001 |
| 028 | 90601-ZE1-000 | WASHER, DRAIN PLUG (10.2MM) | 001 |
| 029 | 90602-ZE1-000 | CLIP, GOVERNOR HOLDER | 001 |
| 030 | 91202-ZE6-013 | OIL SEAL (22X35X6) | 001 |
| 031 | 91231-891-003 | OIL SEAL (6X11X4) (ARAI) | 001 |

| Ref. | Part Number | Part Description | Qty. |
|------|----------------|---------------------------|------|
| 032 | 91201-ZG9-U71 | OIL SEAL (25X38X7) | 001 |
| 032 | 91252-888-003 | OIL SEAL (25X38X7) (ARAI) | 001 |
| 033 | 91301-ZE9-003 | O-RING (22.1X2.2) | 001 |
| 034 | 91301-805-000 | O-RING (26X2.7) | 001 |
| 035 | 94101-06800 | WASHER, PLAIN (6MM) | 002 |
| 036 | 94251-08000 | PIN, LOCK (8MM) | 001 |
| 037 | 94301-08140 | PIN, DOWEL (8X14) | 002 |
| 038 | 95701-06012-08 | BOLT, FLANGE (6X12) | 001 |
| 039 | 95701-06020-00 | BOLT, FLANGE (6X20) | 002 |
| 040 | 95701-06028-00 | BOLT, FLANGE (6X28) | 007 |



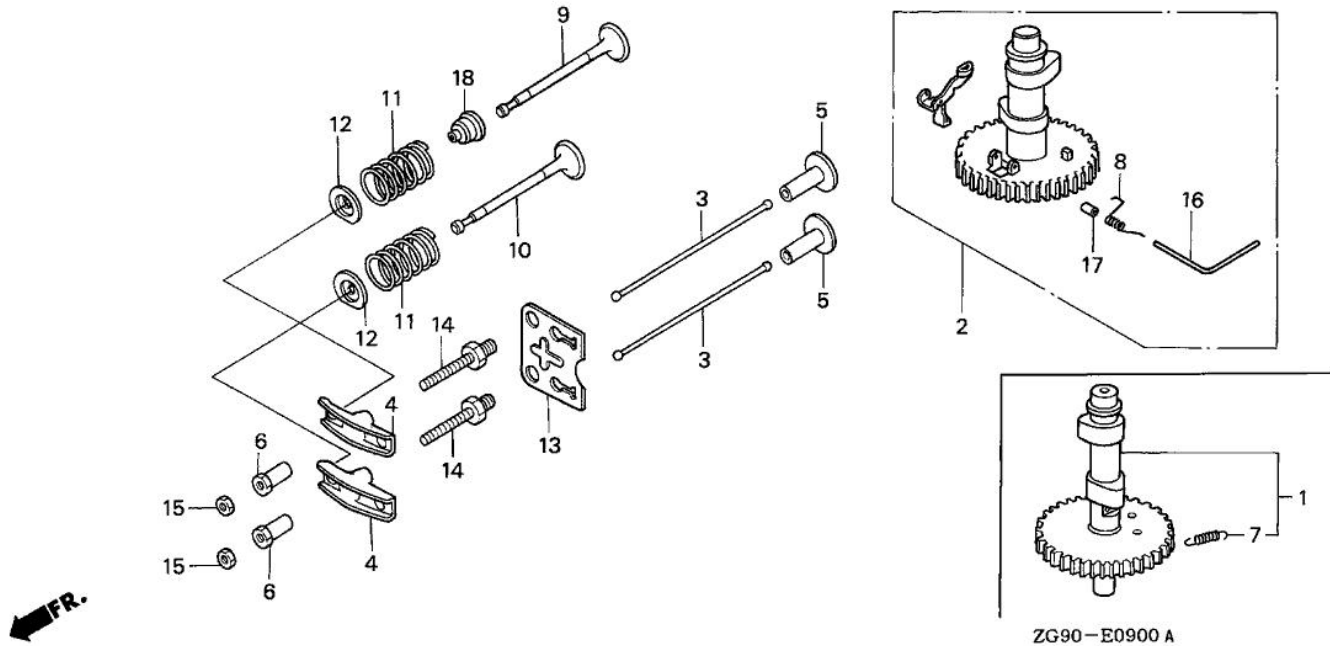
ZG90-E0700A

| Ref. | Part Number | Part Description | Qty. |
|------|---------------|----------------------|------|
| 005 | 13310-ZG9-800 | CRANKSHAFT | 001 |
| 008 | 91001-878-003 | BEARING, RADIAL BALL | 001 |

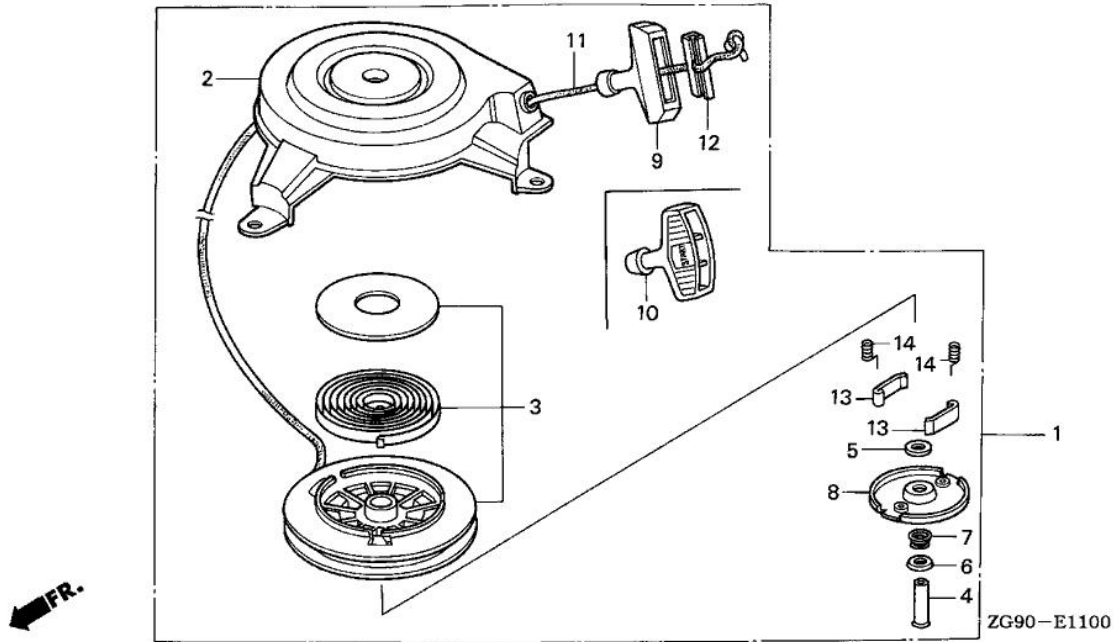


ZG90-E0800

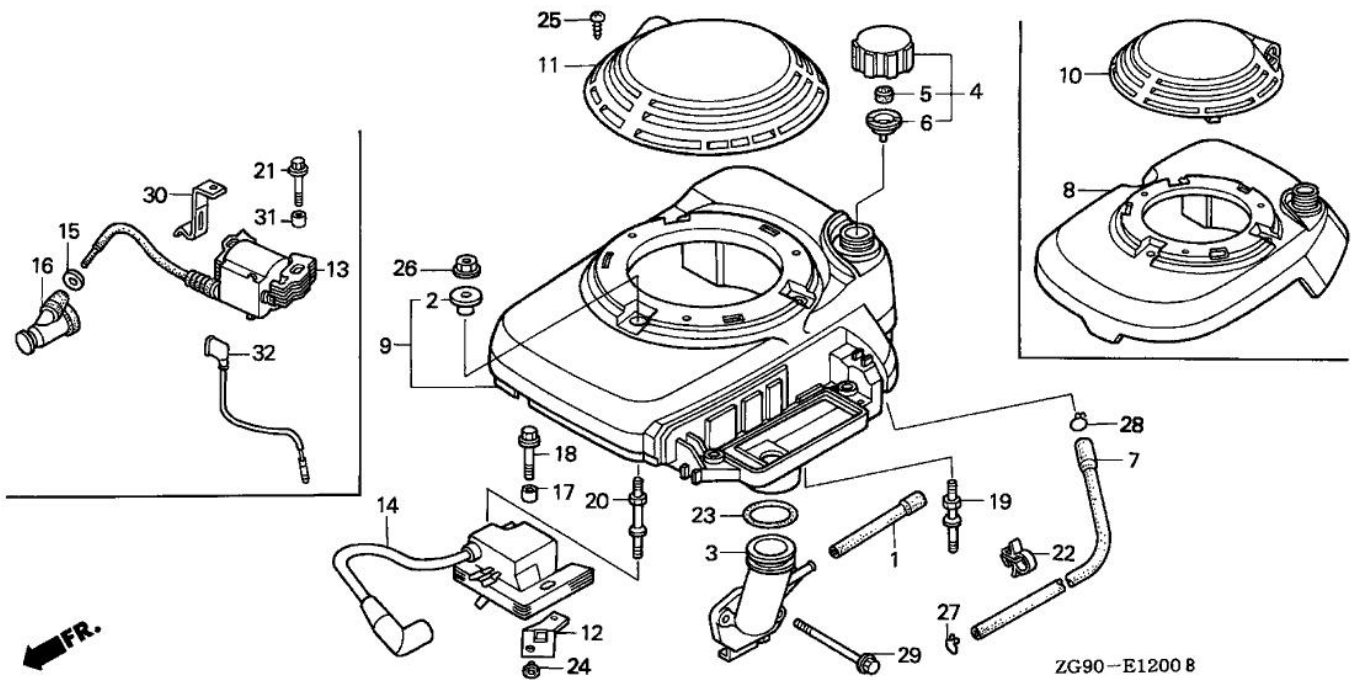
| Ref. | Part Number | Part Description | Qty. |
|------|---------------|---|------|
| 001 | 13010-ZG9-003 | RING SET, PISTON (STD) (NIPPON) | 001 |
| 001 | 13010-ZG9-004 | RING SET, PISTON (STD) (TEIKOKU) | 001 |
| 001 | 13011-ZG9-003 | RING SET, PISTON (0.25) (NIPPON) | (1) |
| 001 | 13012-ZG9-004 | RING SET, PISTON (0.50) (TEIKOKU) | (1) |
| 001 | 13013-ZG9-003 | RING SET, PISTON (0.75) (NIPPON) | (1) |
| 001 | 13013-ZG9-T00 | RING SET, PISTON (0.75) (GOETZE) | (1) |
| 001 | 13013-ZG9-T01 | RING SET, PISTON (0.75) (FEDERAL MOGUL) | (1) |
| 002 | 13101-ZG9-000 | PISTON (STD) | 001 |
| 002 | 13101-ZG9-010 | PISTON (STD) | 001 |
| 002 | 13102-ZG9-010 | PISTON (0.25) | (1) |
| 002 | 13103-ZG9-000 | PISTON (0.50) | (1) |
| 002 | 13103-ZG9-010 | PISTON (0.50) | (1) |
| 002 | 13104-ZG9-000 | PISTON (0.75) | (1) |
| 002 | 13104-ZG9-010 | PISTON (0.75) | (1) |
| 003 | 13111-ZE0-000 | PIN, PISTON | 001 |
| 004 | 13200-ZE6-010 | ROD ASSY., CONNECTING | 001 |
| 005 | 90001-ZE1-000 | BOLT, CONNECTING ROD | 002 |
| 006 | 90551-ZE0-000 | CLIP, PISTON PIN (13MM) | 002 |



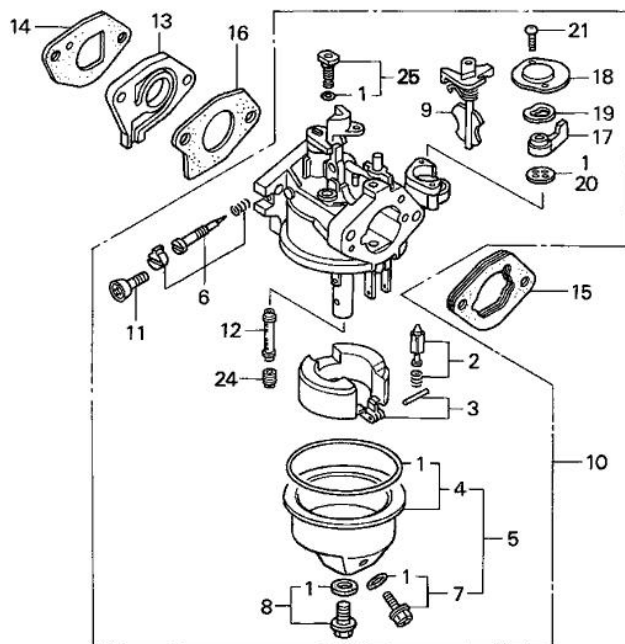
| Ref. | Part Number | Part Description | Qty. |
|------|---------------|----------------------------|------|
| 002 | 14100-ZG9-800 | CAMSHAFT ASSY. | 001 |
| 003 | 14410-ZE0-010 | ROD, PUSH | 002 |
| 004 | 14431-ZE1-000 | ARM, VALVE ROCKER | 002 |
| 005 | 14441-ZE1-010 | LIFTER, VALVE | 002 |
| 006 | 14451-ZE1-013 | PIVOT, ROCKER ARM | 002 |
| 006 | 14451-Z4M-000 | PIVOT, ROCKER ARM | 002 |
| 008 | 14568-ZG9-800 | SPRING, WEIGHT RETURN | 001 |
| 009 | 14711-ZG9-810 | VALVE, IN. | 001 |
| 010 | 14721-ZG9-810 | VALVE, EX. | 001 |
| 011 | 14751-ZF1-000 | SPRING, VALVE | 002 |
| 012 | 14771-ZE1-000 | RETAINER, IN. VALVE SPRING | 002 |
| 013 | 14791-ZE0-010 | PLATE, PUSH ROD GUIDE | 001 |
| 014 | 90012-ZE0-010 | BOLT, PIVOT (8MM) | 002 |
| 015 | 90206-ZE1-000 | NUT, PIVOT ADJUSTING | 002 |
| 016 | 90701-ZG9-800 | PIN, WEIGHT CENTER | 001 |
| 017 | 91502-ZG9-800 | COLLAR, WEIGHT CENTER | 001 |



| Ref. | Part Number | Part Description | Qty. |
|------|---------------|-----------------------|------|
| 001 | 28400-ZG9-803 | STARTER ASSY., RECOIL | 001 |
| 002 | 28402-ZG9-802 | HOUSING ASSY. | 001 |
| 003 | 28415-ZG9-802 | PULLEY & SPRING ASSY. | 001 |
| 004 | 28419-ZG9-802 | PIN, CENTER | 001 |
| 005 | 28431-ZG9-802 | PLATE A, FRICTION | 001 |
| 006 | 28432-ZG9-802 | PLATE B, FRICTION | 001 |
| 007 | 28441-ZG9-802 | SPRING, FRICTION | 001 |
| 008 | 28444-ZG9-802 | RETAINER | 001 |
| 009 | 28461-ZE6-T02 | HANDLE | 001 |
| 011 | 28462-ZG9-802 | ROPE, RECOIL STARTER | 001 |
| 012 | 28463-ZE6-T02 | HANDLE, REINFORCEMENT | 001 |
| 013 | 28485-ZE6-T02 | DOG | 002 |
| 014 | 28486-ZE6-T02 | SPRING, DOG | 002 |



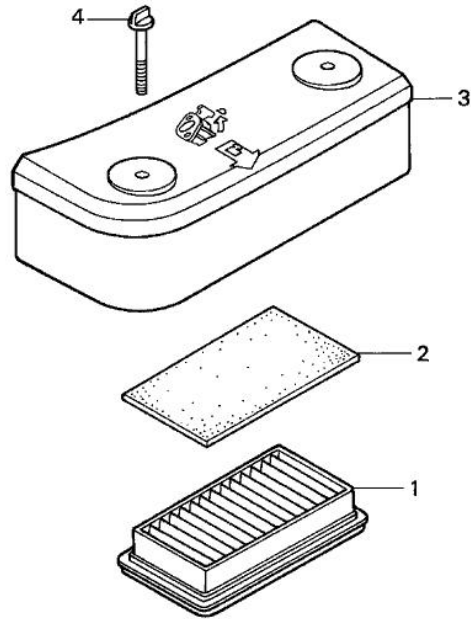
| Ref. | Part Number | Part Description | Qty. |
|------|-----------------|---|------|
| 001 | 15721-ZE6-010 | TUBE, BREATHER (180MM) | 001 |
| 002 | 17216-PE2-003 | COLLAR, AIR CLEANER (TOYO ROKI) | 003 |
| 003 | 17410-ZG9-800 | ELBOW, AIR CLEANER | 001 |
| 004 | 17620-ZG9-000 | CAP ASSY., FUEL TANK | 001 |
| 005 | 17622-888-010 | SPONGE, FUEL CAP BREATHER | 001 |
| 006 | 17624-ZE7-000 | GASKET, FUEL CAP | 001 |
| 007 | 17701-ZG9-800 | TUBE, FUEL TANK (280MM) | 001 |
| 009 | 19610-ZG9-802ZA | COVER, FAN *NH1*(BLACK) | 001 |
| 009 | 19610-ZG9-802ZF | COVER, FAN *R280*(POWER RED) | 001 |
| 011 | 19615-ZG9-801ZA | HOOD, FAN COVER *NH1* (GRAINED FINISH)(BLACK) | 001 |
| 011 | 19615-ZG9-801ZB | HOOD, FAN COVER *R8* (GRAINED FINISH)(BRIGHT RED) | 001 |
| 014 | 30500-ZG9-801 | COIL ASSY., IGNITION | 001 |
| 017 | 75133-960-000 | COLLAR, ROTO-STOP | 002 |
| 018 | 90017-883-000 | BOLT, FLANGE (6X32) (CT200) | 001 |
| 019 | 90041-ZG9-800 | BOLT, STUD (BRAKE) | 002 |
| 020 | 90042-ZG9-800 | BOLT C, STUD | 001 |
| 022 | 90682-959-661 | CLIP B, CABLE (9MM BLACK) | 001 |
| 023 | 91301-ZG9-800 | O-RING (33.3X3.5) | 001 |
| 025 | 93913-24580 | SCREW, TAPPING (4X20) | 001 |
| 026 | 94050-06000 | NUT, FLANGE (6MM) | 003 |
| 027 | 95002-02080 | CLIP, TUBE (B8) | 001 |
| 028 | 95002-02100 | CLIP, TUBE (B10) | 001 |
| 029 | 95801-06100-00 | BOLT, FLANGE (6X100) | 002 |



ZG90-E1400

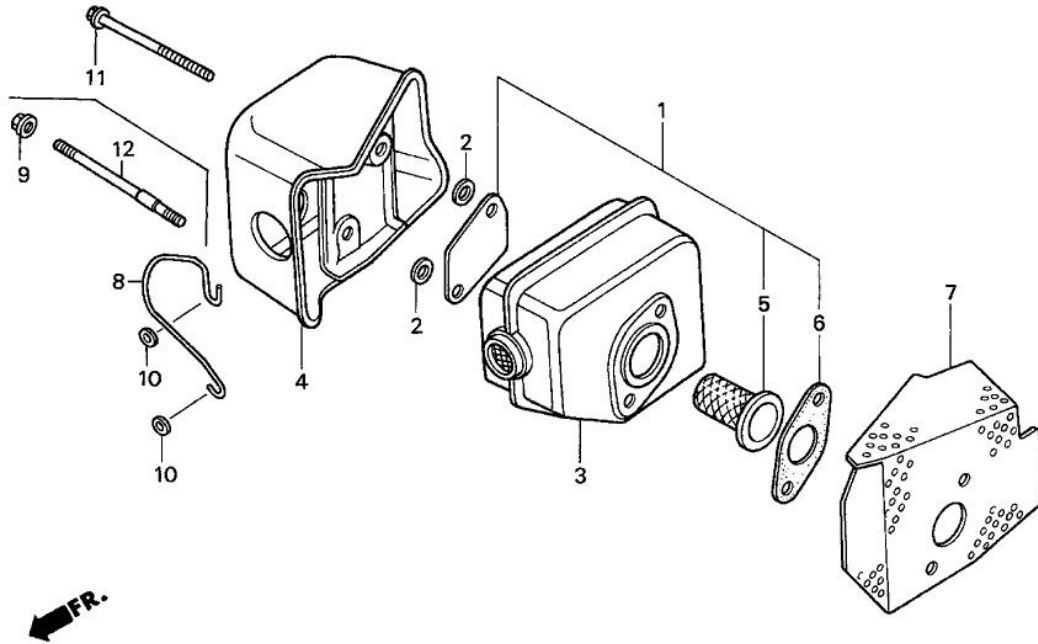
| Ref. | Part Number | Part Description | Qty. |
|------|----------------|--|-------------------------|
| 001 | 16010-ZE0-025 | GASKET SET (CARBURETOR NO.) | 001 |
| 001 | 16010-ZG9-800 | GASKET SET (CARBURETOR NO.) | 001 |
| 002 | 16011-ZE0-005 | VALVE SET, FLOAT (CARBURETOR NO.) | (SEAT NOT INCLUDED) 001 |
| 003 | 16013-ZE0-005 | FLOAT SET (CARBURETOR NO.) | 001 |
| 004 | 16015-ZE0-831 | CHAMBER SET, FLOAT (CARBURETOR NO.) | 001 |
| 004 | 16015-ZG9-800 | CHAMBER SET, FLOAT (CARBURETOR NO.) | (NOT AVAILABLE) 001 |
| 005 | 16015-ZE0-831 | CHAMBER SET, FLOAT (CARBURETOR NO.) | 001 |
| 006 | 16016-ZH7-W01 | SCREW SET, PILOT (CARBURETOR NO.) | 001 |
| 007 | 16024-ZE1-811 | SCREW SET, DRAIN (CARBURETOR NO.) | 001 |
| 008 | 16028-ZE0-005 | SCREW SET (CARBURETOR NO.) | 001 |
| 008 | 16028-ZK7-S91 | SCREW SET | 001 |
| 009 | 16045-ZE7-005 | CHOKE SET (CARBURETOR NO.) | 001 |
| 010 | 16100-ZG9-803 | CARBURETOR ASSY. (BE53A D) | 001 |
| 011 | 16124-ZE0-005 | SCREW, THROTTLE STOP (CARBURETOR NO.) | 001 |
| 012 | 16166-ZG9-801 | NOZZLE, MAIN (CARBURETOR NO.) | 001 |
| 012 | 16166-ZG9-801 | NOZZLE, MAIN (CARBURETOR NO.) | 001 |
| 013 | 16211-ZG9-000 | INSULATOR, CARBURETOR | 001 |
| 014 | 16212-ZG9-T00 | GASKET, CARBURETOR | 001 |
| 015 | 16220-ZE6-010 | SPACER, CARBURETOR | 001 |
| 016 | 16221-ZG9-J60 | GASKET, CARBURETOR | 001 |
| 016 | 16221-ZH8-801 | GASKET, CARBURETOR | 001 |
| 017 | 16953-ZE1-812 | LEVER, PETCOCK (CARBURETOR NO.) | 001 |
| 018 | 16954-ZE1-812 | PLATE, LEVER SETTING (CARBURETOR NO.) | 001 |
| 019 | 16956-ZE1-811 | SPRING, PETCOCK LEVER (CARBURETOR NO.) | 001 |
| 020 | 16957-ZE1-812 | GASKET, PETCOCK (CARBURETOR NO.) | 001 |
| 021 | 93500-03006-0H | SCREW, PAN (3X6) | 002 |
| 024 | 99101-ZH7-0550 | JET, MAIN (#55) (CARBURETOR NO.) | (1) |
| 024 | 99101-ZH7-0580 | JET, MAIN (#58) (CARBURETOR NO.) | (NOT AVAILABLE) (1) |
| 024 | 99101-ZH7-0600 | JET, MAIN (#60) (CARBURETOR NO.) | 001 |
| 024 | 99101-ZH8-0520 | JET, MAIN (#52) (CARBURETOR NO.) | (1) |
| 024 | 99101-ZH8-0550 | JET, MAIN (#55) (CARBURETOR NO.) | (1) |
| 024 | 99101-ZK7-0580 | JET, MAIN (#58) | 001 |

| Ref. | Part Number | Part Description | Qty. |
|------|----------------|---------------------------------------|------|
| 025 | 99204-ZE2-0380 | JET SET, PILOT (#38) (CARBURETOR NO.) | 001 |
| 025 | 99204-ZE2-0400 | JET SET, PILOT (#40) (CARBURETOR NO.) | 001 |



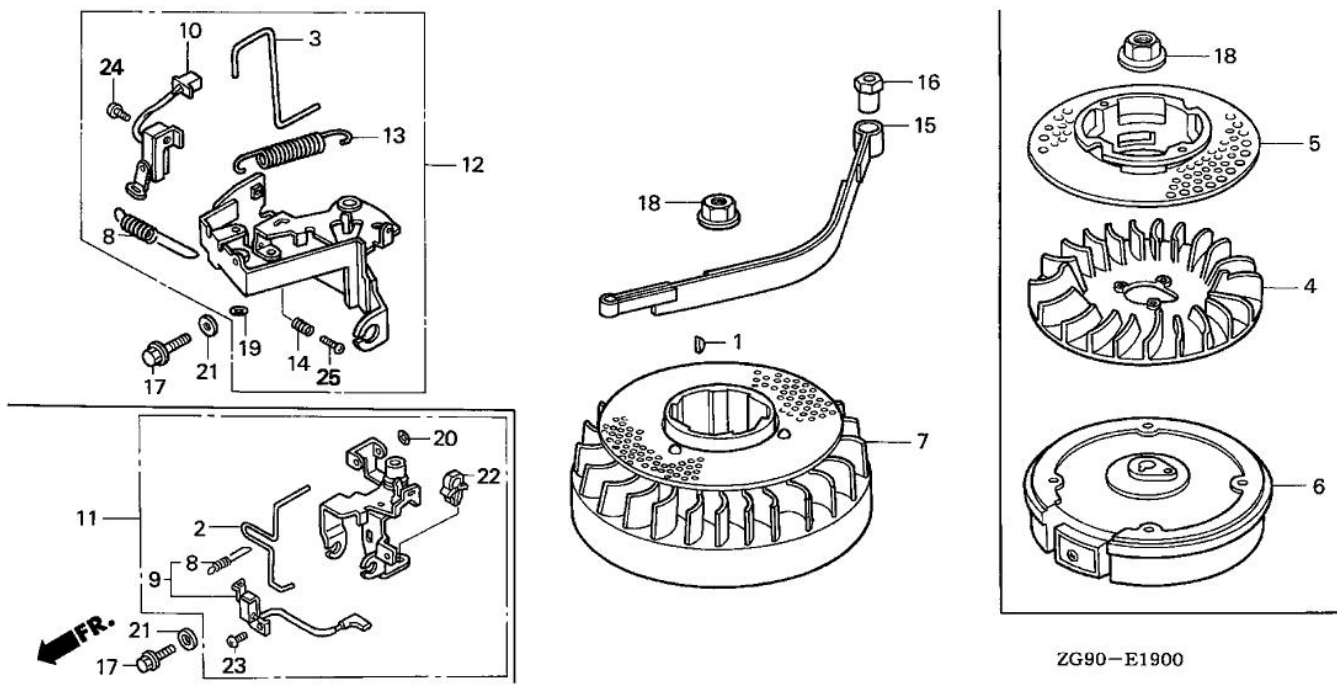
ZG90-E1500

| Ref. | Part Number | Part Description | Qty. |
|------|-----------------|-------------------------------------|------|
| 001 | 17211-ZG9-800 | ELEMENT, AIR CLEANER | 001 |
| 002 | 17218-ZG9-800 | FILTER (OUTER) | 001 |
| 003 | 17231-ZG9-800ZA | COVER, AIR CLEANER *NH1*(BLACK) | 001 |
| 003 | 17231-ZG9-800ZC | COVER, AIR CLEANER *R8*(BRIGHT RED) | 001 |
| 004 | 90004-ZG9-M00 | BOLT, AIR CLEANER (6MM) | 002 |



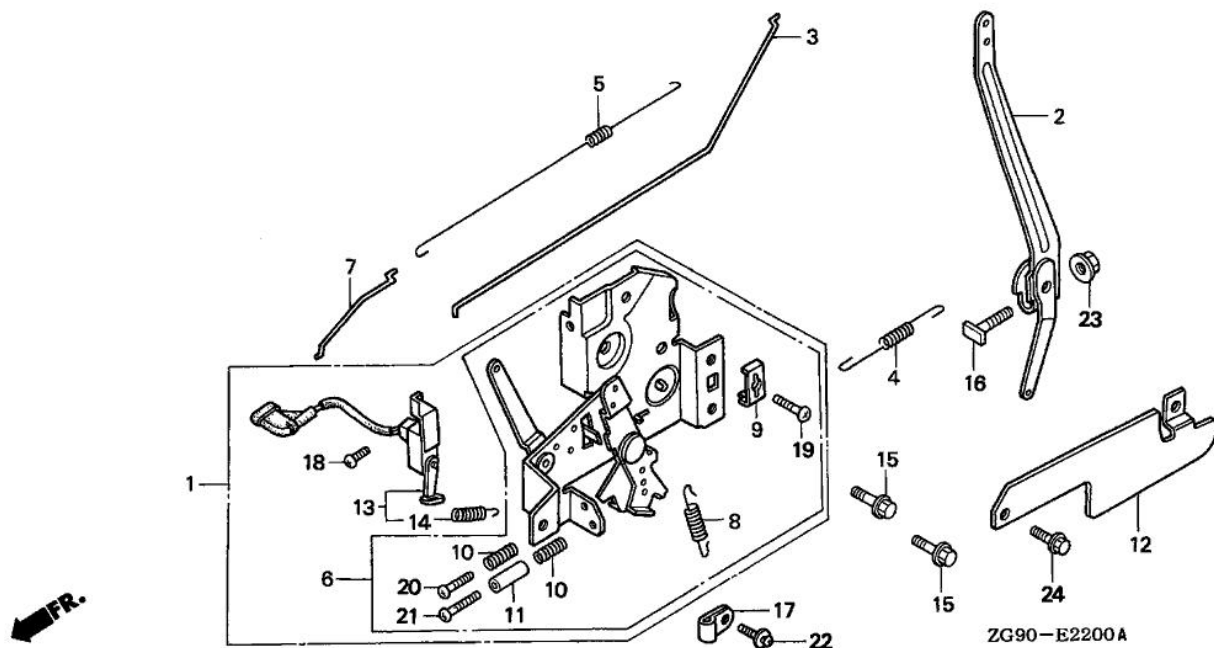
ZG90-E1600

| Ref. | Part Number | Part Description | Qty. |
|------|---------------|---------------------|------|
| 001 | 06180-ZE6-820 | ARRESTER KIT, SPARK | (1) |
| 003 | 18310-ZE7-W40 | MUFFLER COMP (EN) | 001 |
| 003 | 18310-ZG9-J01 | MUFFLER | 001 |
| 004 | 18320-ZG9-M01 | PROTECTOR, MUFFLER | 001 |
| 005 | 06180-888-505 | ARRESTER KIT, SPARK | (1) |
| 006 | 18381-ZE6-820 | GASKET, MUFFLER | (1) |
| 007 | 18381-ZG9-M00 | GASKET, MUFFLER | 001 |

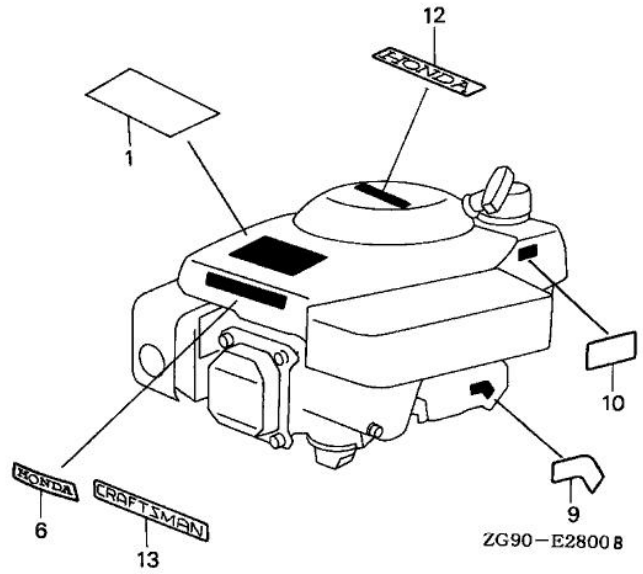
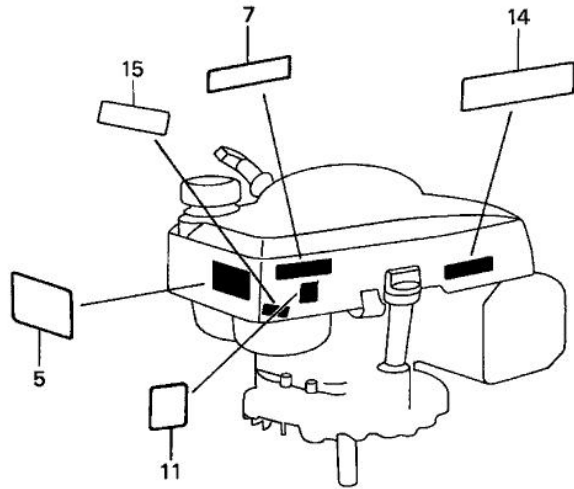


ZG90-E1900

| Ref. | Part Number | Part Description | Qty. |
|------|----------------|-----------------------------------|------|
| 001 | 13331-357-000 | KEY, SPECIAL WOODRUFF (25X18) | 001 |
| 003 | 16566-ZG9-800 | ROD, GOVERNOR ARM RETURN | 001 |
| 007 | 31105-ZG9-800 | FLYWHEEL ASSY. | 001 |
| 008 | 35129-ZG9-800 | SPRING, SWITCH CONTROL | 001 |
| 010 | 36100-ZG9-811 | SWITCH ASSY., ENGINE STOP (BRAKE) | 001 |
| 012 | 75101-ZG9-801 | LEVER ASSY., BRAKE | 001 |
| 013 | 75113-ZG9-800 | SPRING, BRAKE LEVER | 001 |
| 014 | 75114-ZG9-800 | SPRING, BRAKE ADJUSTING | 001 |
| 015 | 75120-ZG9-305 | BRAKE | 001 |
| 016 | 75123-ZG9-800 | COLLAR, BRAKE SHAFT | 001 |
| 017 | 90029-888-000 | BOLT, FLANGE (6X16) (CT200) | 001 |
| 018 | 90201-878-003 | NUT, SPECIAL (14MM) | 001 |
| 019 | 90310-ZB7-701 | NUT, PUSH (2.6) | 001 |
| 021 | 90463-KRM-840 | WASHER, SEALING (6.2X12X1.2) | 001 |
| 024 | 93500-04008-0A | SCREW, PAN (4X8) | 001 |
| 025 | 93500-05012-0A | SCREW, PAN (5X12) | 001 |



| Ref. | Part Number | Part Description | Qty. |
|------|----------------|-----------------------------|------|
| 002 | 16551-ZE6-U40 | ARM, GOVERNOR (C,G) | 001 |
| 003 | 16555-ZE6-000 | ROD, GOVERNOR | 001 |
| 004 | 16561-ZE6-010 | SPRING, GOVERNOR | 001 |
| 005 | 16562-ZE6-000 | SPRING, THROTTLE RETURN | 001 |
| 006 | 16570-ZG9-810 | CONTROL (EN) | 001 |
| 007 | 16573-ZE6-010 | ROD, CHOKE | 001 |
| 008 | 16574-ZG9-M00 | SPRING, LEVER | 001 |
| 009 | 16576-891-000 | HOLDER, CABLE | 001 |
| 010 | 16584-883-300 | SPRING, CONTROL ADJUSTING | 002 |
| 011 | 16599-ZG1-M10 | COLLAR, STOPPER | 001 |
| 015 | 90014-952-000 | BOLT, FLANGE (6X14) (CT200) | 002 |
| 016 | 90015-ZE5-010 | BOLT, GOVERNOR ARM | 001 |
| 017 | 90628-ZC0-701 | CLIP (4.4MM) | 001 |
| 019 | 93500-05016-0A | SCREW, PAN (5X16) | 001 |
| 020 | 93500-05020-0A | SCREW, PAN (5X20) | 001 |
| 021 | 93500-05025-0A | SCREW, PAN (5X25) | 001 |
| 022 | 93893-04012-00 | SCREW-WASHER (4X12) | 001 |
| 023 | 94050-06000 | NUT, FLANGE (6MM) | 001 |



| Ref. | Part Number | Part Description | Qty. |
|------|---------------|---------------------|------|
| 001 | 87101-ZG9-800 | EMBLEM (GXV140 5.0) | 001 |
| 001 | 87101-ZG9-812 | EMBLEM (5.0) (AH) | 001 |
| 007 | 87531-ZG9-800 | MARK, HONDA | (1) |
| 010 | 87586-ZH7-W00 | LABEL, FUEL CAUTION | 001 |
| | | (NOT AVAILABLE) | |