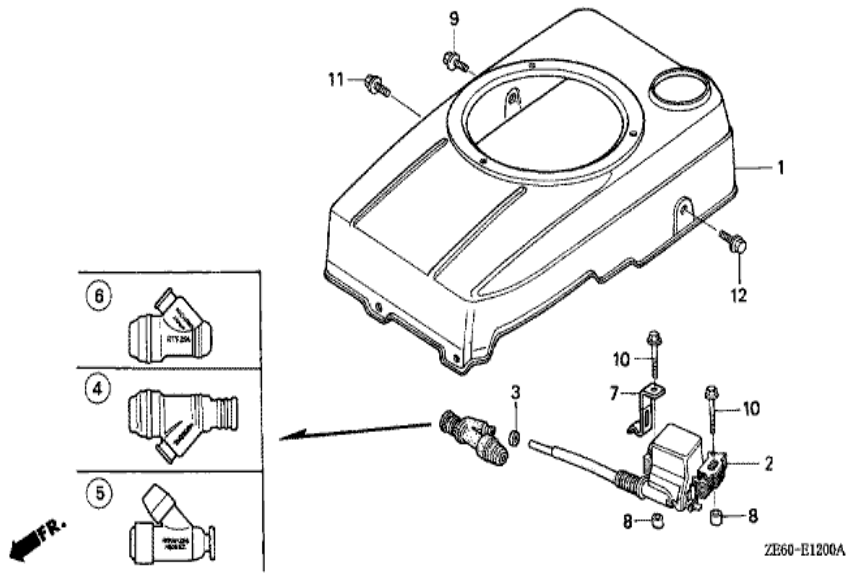
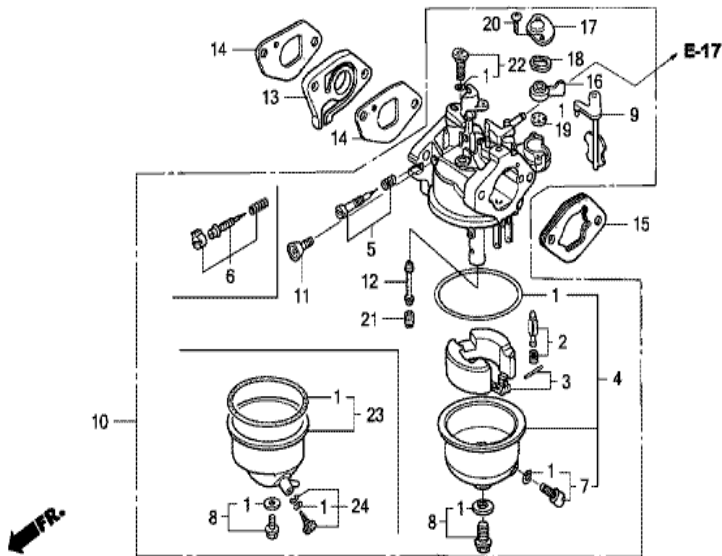


Ref	Partnumber	Description	GXV120	Serial Numbers
001	28400-ZE6-003ZA	STARTER ASSY., RECOIL *R8 *	1	2560780
002	28410-ZE6-003ZA	CASE COMP., RECOIL STARTER *R8 *	1	2560780
003	28420-ZE6-003	PULLEY, RECOIL STARTER	1	1617086
004	28422-896-010	RATCHET, STARTER	1	
005	28431-896-000	PLATE, FRICTION	1	
006	28441-896-000	SPRING, FRICTION	1	
007	28442-ZE6-003	SPRING, RECOIL STARTER	1	1257295
008	28443-896-000	SPRING, RETURN	1	
009	28461-ZE1-003	KNOB, RECOIL STARTER	1	
011	28462-ZA7-003	ROPE, RECOIL STARTER	1	
012	95701-0600800	BOLT, FLANGE, 6X8	3	
013	92101-060120H	BOLT, HEX., 6X12	1	2460954

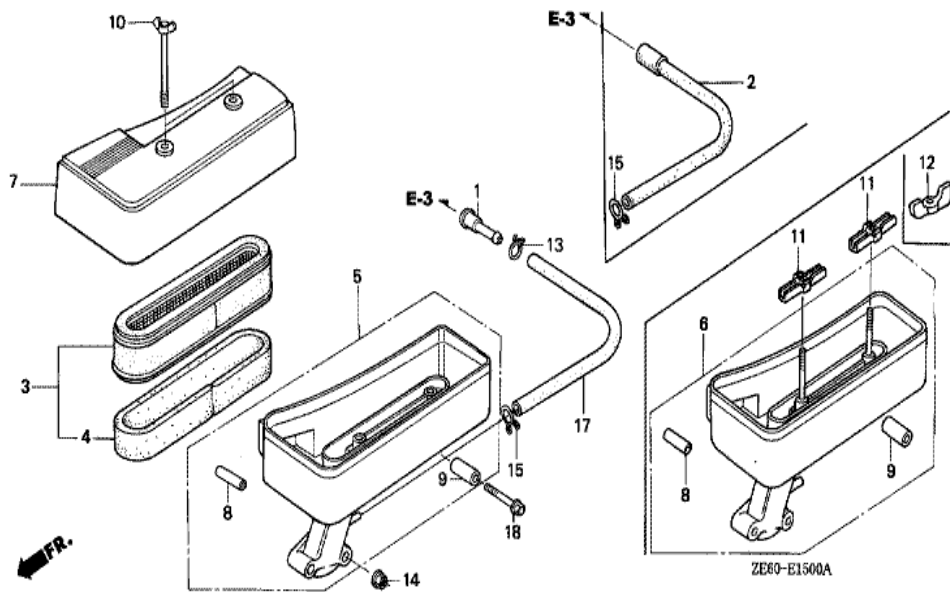


Ref	Partnumber	Description	GXV120	Serial Numbers
001	19610-ZE6-020ZA	COVER COMP., FAN *R8 *	1	2465104 2560830
002	30500-ZG9-M02	COIL ASSY., IGNITION	1	2488069
003	30505-ZE6-000	GROMMET, HIGH TENSION CORD	1	
005	30700-ZE6-023	CAP ASSY., NOISE SUPPRESSOR	1	
005	30700-ZE6-773	TERMINAL ASSY., HIGH TENSION	1	2530321
009	90013-883-000	BOLT, FLANGE, 6X12 (CT200)	1	
010	90121-952-000	BOLT, FLANGE, 6X25 (CT200)	2	
011	95701-0601000	BOLT, FLANGE, 6X10	1	
012	90013-883-000	BOLT, FLANGE, 6X12 (CT200)	1	

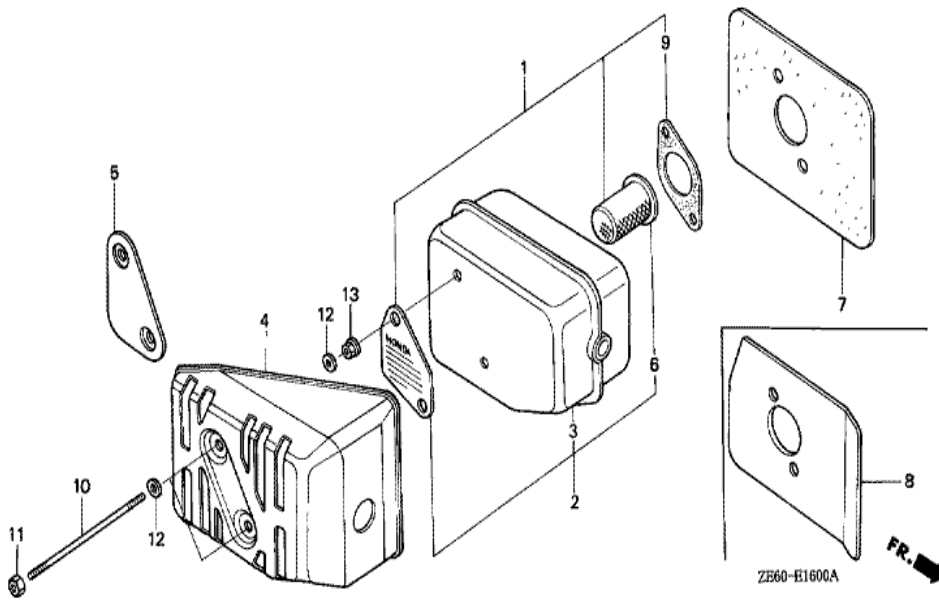


ZE80E1400B

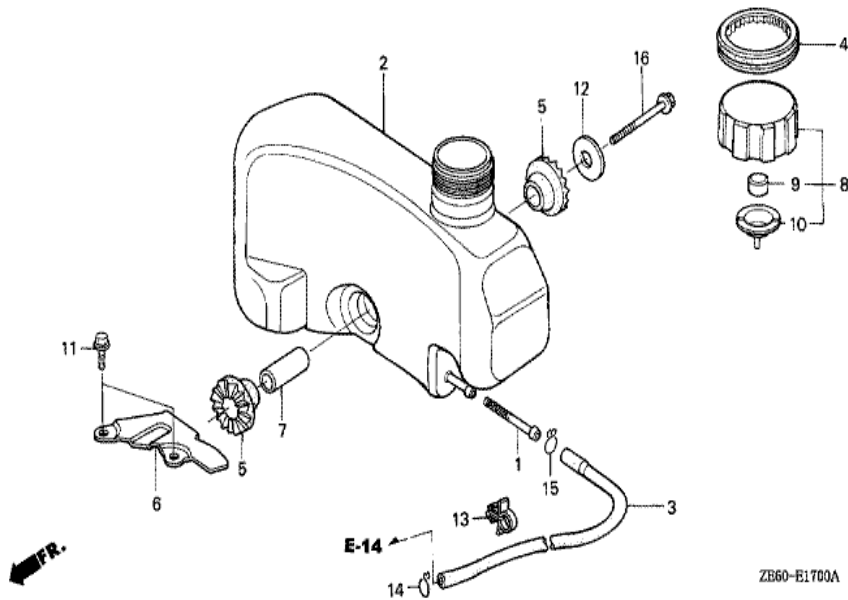
Ref	Partnumber	Description	GXV120	Serial Numbers	
001	16010-ZE0-025	GASKET SET	1	BE03A J	
002	16011-ZE0-005	VALVE SET, FLOAT	1		
003	16013-ZE0-005	FLOAT SET	1		
004	16015-ZE0-831	CHAMBER SET, FLOAT	1		
005	16016-ZE0-005	SCREW SET, PILOT	1	BE03A J	
006	16016-ZH7-W01	SCREW SET, PILOT	1	BE56A B	
007	16024-ZE1-811	SCREW SET, DRAIN	1	BE03A C	
008	16028-ZE0-005	SCREW SET	1		
009	16045-ZE6-005	CHOKE SET	1		
010	16100-ZE6-055	CARBURETOR ASSY. (BE03A H/J)	1	2485478	
010	16100-ZE6-W01	CARBURETOR ASSY. (BE56A B)	1	2530282	
011	16124-ZE0-005	SCREW, THROTTLE STOP	1		
012	16166-ZE6-W00	NOZZLE, MAIN	1	BE03A H	
<u>Ref</u>	<u>Partnumber</u>	<u>Description</u>	<u>GXV120</u>	<u>Serial Numbers</u>	
013	16211-ZE6-000	INSULATOR, CARBURETOR	1		
014	16212-ZG9-J60	PACKING, INSULATOR	2	2453089	
015	16220-ZE6-010	SPACER COMP., CARBURETOR	1	1620115	
016	16953-ZE6-005	LEVER, COCK	1	BE03A H	
016	16953-ZE6-015	LEVER, COCK	1	BE56A B	
017	16954-ZE1-812	PLATE, LEVER SETTING	1		
018	16956-ZE1-811	SPRING, COCK LEVER	1	BE03A C	
019	16957-ZE1-812	PACKING, FUEL COCK	1	BE03A G	
020	93500-030061H	SCREW, PAN, 3X6	2	BE56A B	
020	93500-030081G	SCREW, PAN, 3X8	2	BE03A H	
021	99101-ZH70520	JET, MAIN, #52	(1)		
021	99101-ZH70550	JET, MAIN, #55	(1)	BE56A B	
021	99101-ZH70580	JET, MAIN, #58	1	BE56A B	
021	99101-ZH80520	JET, MAIN, #52	(1)	BE03A J	BE03A J
021	99101-ZH80550	JET, MAIN, #55	(1)	BE03A J	BE03A J
021	99101-ZH80580	JET, MAIN, #58	1	BE03A J	BE03A J
022	99204-ZE20380	JET SET, PILOT, #38	1		



Ref	Partnumber	Description	GXV120	Serial Numbers
002	15721-ZE6-010	TUBE, BREATHER (180MM)	1	2010136
003	17210-ZE6-003	ELEMENT, AIR CLEANER	1	
004	17218-888-003	FILTER, OUTER	1	
006	17220-ZE6-020	CASE COMP., AIR CLEANER	1	2195322
007	17231-ZE6-000	COVER, AIR CLEANER	1	
008	17238-ZE7-010	COLLAR, AIR CLEANER	2	1620115
009	17239-ZE6-300	COLLAR B, AIR CLEANER	1	
012	90325-044-000	NUT, TOOL BOX SETTING	2	
014	94050-06000	NUT, FLANGE, 6MM	2	
018	95701-0603500	BOLT, FLANGE, 6X35	1	

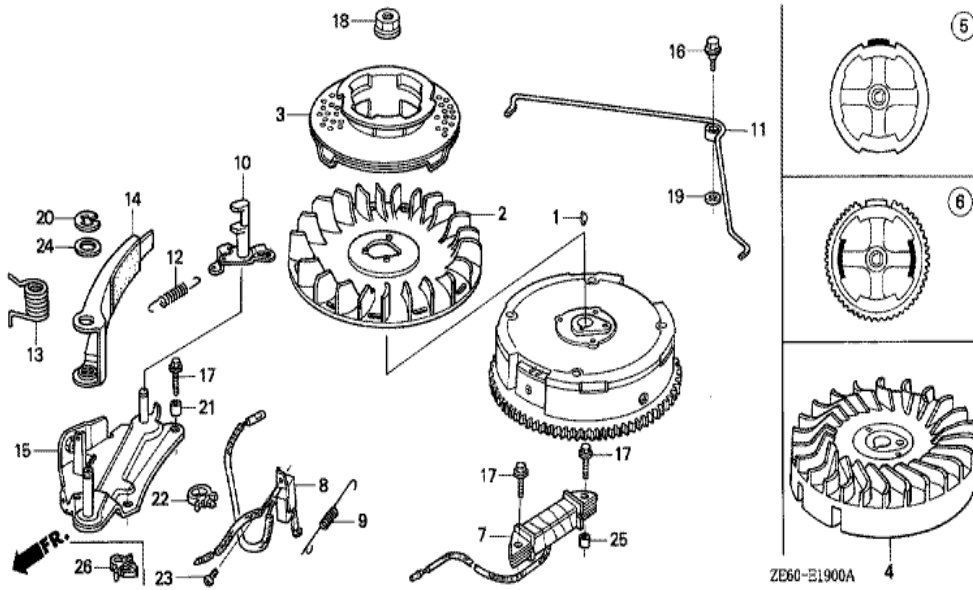


Ref	Partnumber	Description	GXV120	Serial Numbers
001	06180-ZE6-820	ARRESTER KIT, SPARK	(1)	
003	18310-ZE6-003	MUFFLER COMP.	1	
004	18320-ZE6-020	PROTECTOR, MUFFLER	1	2255908
006	18355-888-810	ARRESTER, SPARK	(1)	2519464
008	18381-ZE6-800	GASKET, MUFFLER	1	
009	18381-ZE6-820	GASKET, MUFFLER	(1)	
010	90013-ZE7-000	BOLT, STUD, 6X82	2	
011	90343-ZE6-000	NUT, SELF-LOCK, 6MM	2	

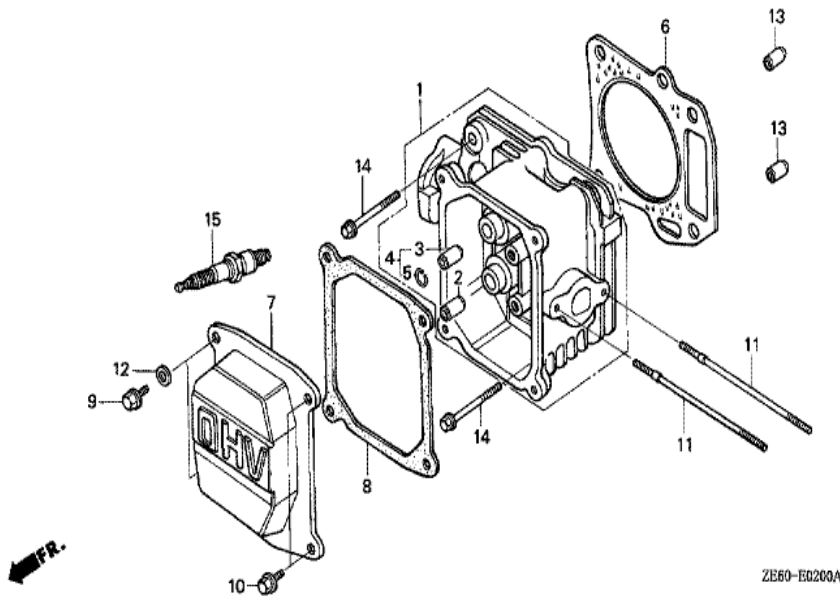


ZB60-E1700A

<u>Ref</u>	<u>Partnumber</u>	<u>Description</u>	<u>GXV120</u>	<u>Serial Numbers</u>
001	16952-ZE6-000	STRAINER, FUEL	1	
002	17510-ZE6-000	TANK, FUEL	1	
003	17512-ZE6-000	TUBE, FUEL	1	
004	17515-ZE6-000	RUBBER, TANK MOUNTING	1	
005	17516-896-700	RUBBER B, TANK MOUNTING	2	
006	17517-ZE6-000	STAY COMP., TANK	1	
007	17518-ZE6-000	COLLAR, TANK SETTING	1	
008	17620-ZE7-000	CAP ASSY., FUEL TANK	1	1617087
009	17622-888-010	SPONGE, FUEL CAP BREATHER	1	
010	17624-ZE7-000	PACKING, FUEL CAP	1	1617087
011	90014-952-000	BOLT, FLANGE, 6X14 (CT200)	2	
012	90455-896-700	WASHER, TANK MOUNTING	1	
013	90682-959-661	CLIP B, CABLE (9MM BLACK)	1	
<u>Ref</u>	<u>Partnumber</u>	<u>Description</u>	<u>GXV120</u>	<u>Serial Numbers</u>
014	95002-02080	CLIP, TUBE (B8)	1	
015	95002-70000	CLIP, TUBE (C11)	1	
016	95701-0805000	BOLT, FLANGE, 8X50	1	



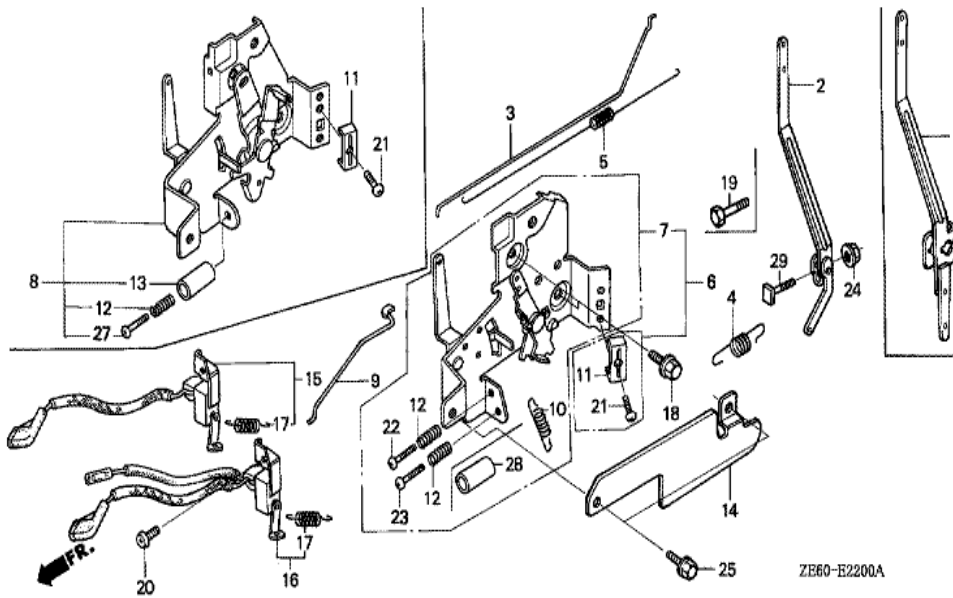
Ref	Partnumber	Description	GXV120	Serial Numbers
001	13331-357-000	KEY, SPECIAL WOODRUFF, 25X18	1	
002	19511-ZE6-000	FAN, COOLING	1	
003	28451-ZE6-003	PULLEY COMP., STARTER	1	
005	31100-ZE6-661	FLYWHEEL COMP.	1	2465084 2515183
005	31100-ZE6-662	FLYWHEEL COMP.	1	2515184
018	90201-878-003	NUT, SPECIAL, 14MM	1	



ZE60-EG200A

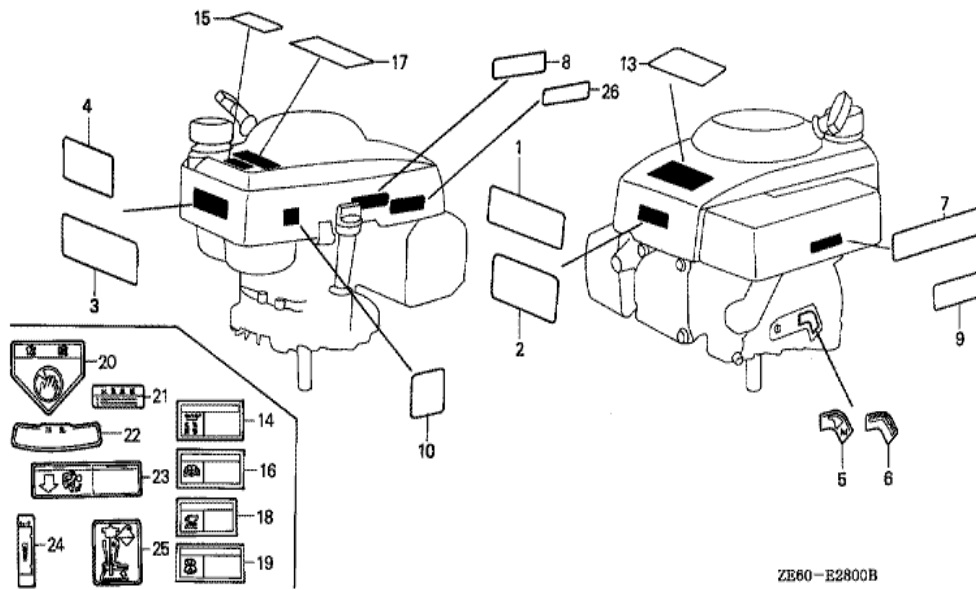
<u>Ref</u>	<u>Partnumber</u>	<u>Description</u>	<u>GXV120</u>	<u>Serial Numbers</u>
001	12200-ZE6-040	HEAD COMP., CYLINDER	1	2551345 2551344
002	12204-ZE1-306	GUIDE, IN. VALVE (OS)	(1)	
004	12205-ZE1-315	GUIDE, EX. VALVE (OS)	(1)	1231803
005	12216-ZE5-300	CLIP, VALVE GUIDE	1	
006	12251-ZE6-000	GASKET, CYLINDER HEAD	1	
007	12310-ZE7-000	COVER, HEAD	1	1616956
008	12391-ZE7-M10	PACKING, HEAD COVER	1	2453829
009	90014-952-000	BOLT, FLANGE, 6X14 (CT200)	2	
010	90013-883-000	BOLT, FLANGE, 6X12 (CT200)	2	2460985
011	90043-ZE6-000	BOLT, STUD, 6X109	2	2488069
013	94301-10160	DOWEL PIN, 10X16	2	
014	95701-0804500	BOLT, FLANGE, 8X45	4	
015	98079-54846	PLUG, SPARK (BPR4ES) (NGK)	(1)	
<u>Ref</u>	<u>Partnumber</u>	<u>Description</u>	<u>GXV120</u>	<u>Serial Numbers</u>
015	98079-54855	PLUG, SPARK (W14EPR-U) (DENSO)	(1)	
015	98079-55846	PLUG, SPARK (BPR5ES) (NGK)	1	
015	98079-55855	PLUG, SPARK (W16EPR-U) (DENSO)	1	
015	98079-56846	PLUG, SPARK (BPR6ES) (NGK)	(1)	
015	98079-56855	PLUG, SPARK (W20EPR-U) (DENSO)	(1)	





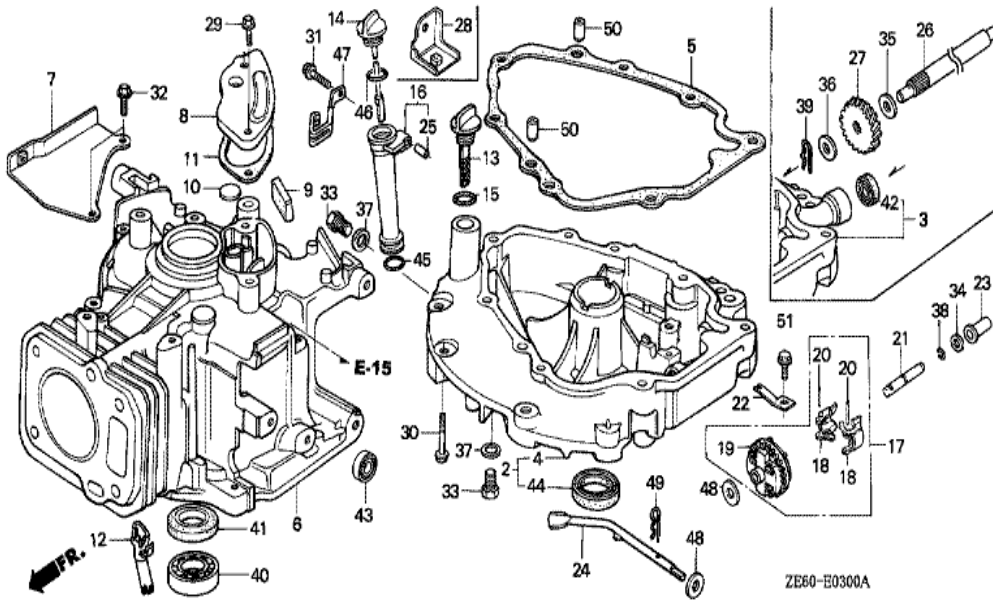
ZE60-E2200A

<u>Ref</u>	<u>Partnumber</u>	<u>Description</u>	<u>GXV120</u>	<u>Serial Numbers</u>
002	16551-ZE6-000	ARM COMP., GOVERNOR	1	
003	16555-ZE6-000	ROD, GOVERNOR	1	
004	16561-ZE6-010	SPRING, GOVERNOR	1	2530602
005	16562-ZE6-000	SPRING, THROTTLE RETURN	1	
007	16570-ZE6-030	CONTROL COMP.	1	2494013
009	16573-ZE6-010	ROD, CHOKE	1	
010	16574-ZG9-M00	SPRING, LEVER	1	2530602
011	16576-891-000	HOLDER, CABLE	1	
012	16584-883-300	SPRING, CONTROL ADJUSTING	2	2530602
014	17100-ZE6-000	PROTECTOR, CONTROL	1	2455958
015	36100-ZE6-003	SWITCH ASSY., ENGINE STOP	1	
017	36120-ZE6-010	SPRING, SWITCH CONTROL	1	
018	90013-883-000	BOLT, FLANGE, 6X12 (CT200)	2	2478684
<u>Ref</u>	<u>Partnumber</u>	<u>Description</u>	<u>GXV120</u>	<u>Serial Numbers</u>
020	93500-040080A	SCREW, PAN, 4X8	1	
021	93500-050160A	SCREW, PAN, 5X16	1	
022	93500-050200A	SCREW, PAN, 5X20	1	2530602
023	93500-050250A	SCREW, PAN, 5X25	1	2530602
024	94050-06000	NUT, FLANGE, 6MM	1	
025	95701-0601000	BOLT, FLANGE, 6X10	2	
029	90015-ZE5-010	BOLT, GOVERNOR ARM	1	



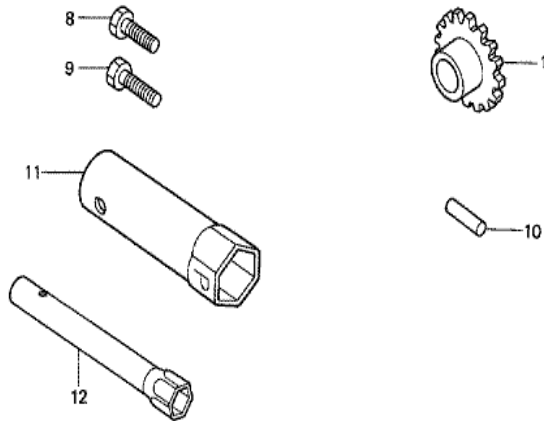
ZE60-E2800B

Ref	Partnumber	Description	GXV120	Serial Numbers
014	87106-737-J00	MARK, FUEL WARNING	1	2506235
016	87150-ZH8-000	MARK, CAUTION (JAPANESE)	1	2506235
018	87539-737-J00	MARK, HEAT CAUTION	1	2506235
019	87561-733-J00	MARK, EX. GAS WARNING	1	2506235
020	87103-952-661	LABEL B, HOUSING CAUTION (JAPANESE)	3	
021	87106-960-660	MARK, FUEL CAUTION	1	
022	87509-952-660	LABEL, PLUG CAUTION	1	
023	87524-VA4-900	MARK, AIR CLEANER CAUTION	1	
025	87594-VA4-010	MARK, OIL CAUTION	1	



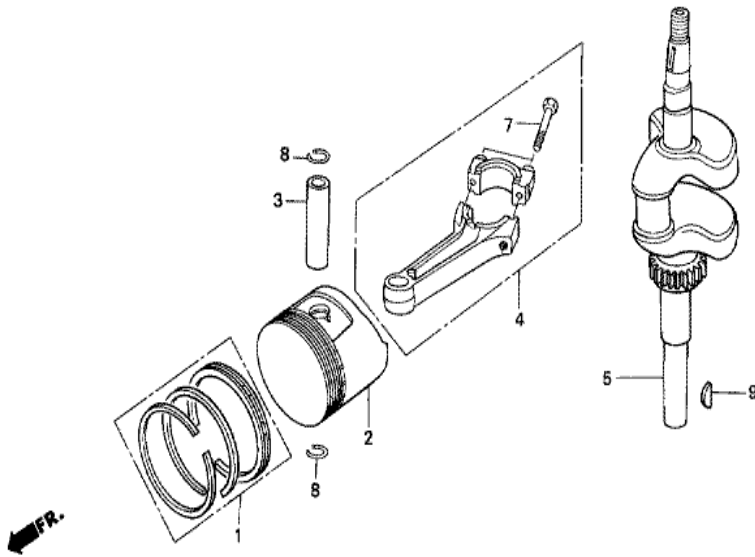
Ref	Partnumber	Description	GXV120	Serial Numbers
003	11300-ZE6-771	PAN ASSY., OIL	1	
005	11381-ZG9-J60	PACKING, OIL PAN	1	
006	12100-ZE6-030	BARREL COMP., CYLINDER	1	2553493
007	12125-ZE6-010	PLATE, GUIDE	1	1039557
008	12360-ZE6-000	CAP COMP., BREATHER CHAMBER	1	
009	12367-ZE6-010	FILTER, BREATHER	1	1985316
010	12372-879-000	VALVE, BREATHER	1	
011	12373-ZE6-000	PACKING, BREATHER CHAMBER	1	
012	12385-ZE6-000	PIPE, OIL DEFENSE	1	
014	15620-ZE6-810	GAUGE COMP., OIL LEVEL	1	2195322
016	15630-ZE6-810	EXTENSION, OIL FILLER	1	2195322
017	16510-ZE6-000	GOVERNOR ASSY.	1	
018	16511-ZE1-000	WEIGHT, GOVERNOR	2	

<u>Ref</u>	<u>Partnumber</u>	<u>Description</u>	<u>GXV120</u>	<u>Serial Numbers</u>
019	16512-ZE6-000	HOLDER, GOVERNOR WEIGHT	1	
020	16513-ZE1-000	PIN, GOVERNOR WEIGHT	2	
021	16515-ZE6-000	SHAFT, GOVERNOR HOLDER	1	2560774
022	16525-ZE6-010	PLATE, GOVERNOR SHAFT HOLDER	1	
023	16531-ZE1-000	SLIDER, GOVERNOR	1	
024	16541-ZE7-000	SHAFT, GOVERNOR ARM	1	1616913
025	17240-ZE6-000	COLLAR, EXTENSION	1	1257295
026	23411-ZE6-000	SHAFT, DRIVE	1	
027	23421-ZE6-000	GEAR, DRIVEN (22T)	1	
029	90013-883-000	BOLT, FLANGE, 6X12 (CT200)	2	
030	90015-883-000	BOLT, FLANGE, 6X28 (CT200)	7	
031	90017-883-000	BOLT, FLANGE, 6X32 (CT200)	1	
032	90022-888-010	BOLT, FLANGE, 6X20 (CT200)	2	
033	90131-ZE1-000	BOLT, DRAIN PLUG	1	2089576
034	90451-898-000	WASHER, THRUST, 6MM	1	0
034	90451-ZE1-000	WASHER, THRUST, 6MM	1	2560775
035	90452-166-600	WASHER, THRUST, 12MM	1	
036	90452-187-000	WASHER, 10X21	1	
037	90601-ZE1-000	WASHER, DRAIN PLUG, 10.2MM	2	2089575
038	90602-ZE1-000	CLIP, GOVERNOR HOLDER	1	
039	90701-ZE6-000	PIN, LOCK, 2.0	1	
040	91001-878-003	BEARING, RADIAL BALL,	1	
041	91202-ZE6-003	OIL SEAL, 22X35X6	1	2563587
042	91205-KF0-003	OIL SEAL, 12X20X5 (ARAI)	1	
043	91231-891-003	OIL SEAL, 6X11X4 (ARAI)	1	
044	91252-888-003	OIL SEAL, 25X38X7 (ARAI)	1	
045	91301-805-000	O-RING, 26X2.7	1	
046	91301-ZE9-003	O-RING, 22.1X2.2	1	1257295
048	94101-06800	WASHER, PLAIN, 6MM	2	
049	94251-08000	PIN, LOCK, 8MM	1	
050	94301-08140	DOWEL PIN, 8X14	2	
051	95701-0601208	BOLT, FLANGE, 6X12	1	



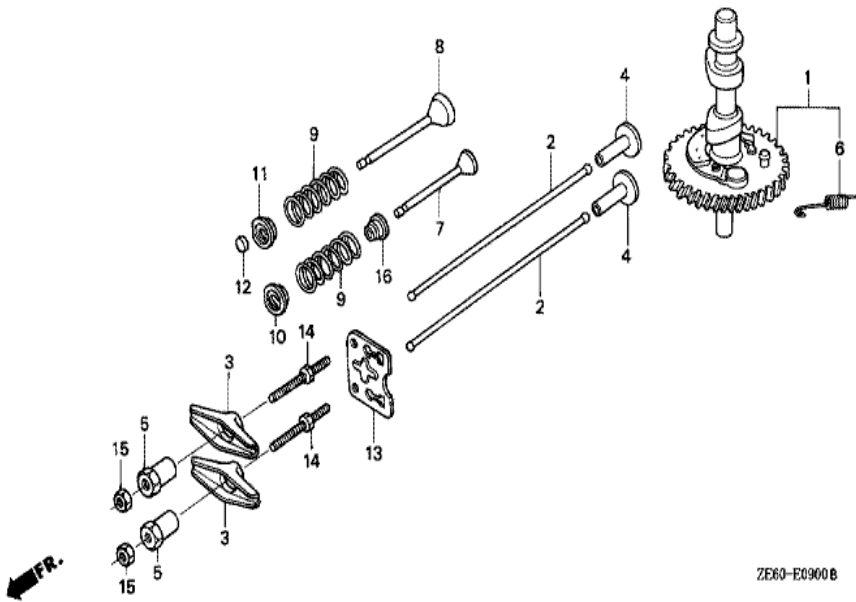
ZE60-E4000A

Ref	Partnumber	Description	GXV120	Serial Numbers
008	90003-ZE1-000	BOLT, HEX., 5/16"	4	
009	90003-ZE3-600	BOLT, HEX., 3/8-24UNF (25MM)	1	
011	99004-21001	WRENCH, BOX (P21)	1	



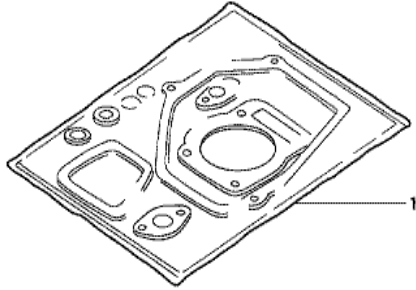
ZE60-B0800A

<u>Ref</u>	<u>Partnumber</u>	<u>Description</u>	<u>GXV120</u>	<u>Serial Numbers</u>	
001	13010-ZE6-013	RING SET, PISTON (STD.) (NIPPON)	1	2147022	2554750
001	13010-ZE6-014	RING SET, PISTON (STD.) (TEIKOKU)	1	2147022	2554750
001	13011-ZE6-013	RING SET, PISTON (0.25) (NIPPON)	(1)		
001	13011-ZE6-014	RING SET, PISTON (0.25) (TEIKOKU)	(1)	2147022	2554750
001	13012-ZE6-013	RING SET, PISTON (0.50) (NIPPON)	(1)	2147022	
001	13012-ZE6-014	RING SET, PISTON (0.50) (TEIKOKU)	(1)	2147022	2554750
001	13013-ZE6-013	RING SET, PISTON (0.75) (NIPPON)	(1)	2147022	2554750
001	13013-ZE6-014	RING SET, PISTON (0.75) (TEIKOKU)	(1)		
002	13101-ZE6-023	PISTON (STD.)	1	2147022	
002	13102-ZE6-023	PISTON (0.25)	(1)	2147022	2554750
002	13103-ZE6-023	PISTON (0.50)	(1)	2147022	2554750
002	13104-ZE6-023	PISTON (0.75)	(1)		
003	13111-ZE0-000	PIN, PISTON	1		
<u>Ref</u>	<u>Partnumber</u>	<u>Description</u>	<u>GXV120</u>	<u>Serial Numbers</u>	
004	13200-ZE6-010	ROD ASSY., CONNECTING	1		
004	13200-ZE6-315	ROD ASSY., CONNECTING (0.25 UNDER SIZE)	(1)		
005	13310-ZE6-640	CRANKSHAFT COMP.	1		
007	90001-ZE1-000	BOLT, CONNECTING ROD	2		
008	90551-ZE0-000	CLIP, PISTON PIN, 13MM	2		
009	94401-16150	KEY, WOODRUFF, 16X15	2		



ZE60-E0900B

<u>Ref</u>	<u>Partnumber</u>	<u>Description</u>	<u>GXV120</u>	<u>Serial Numbers</u>
001	14100-ZE6-W10	CAMSHAFT ASSY.	1	
002	14410-ZE0-010	ROD, PUSH	2	
003	14431-ZE1-000	ARM, VALVE ROCKER	2	
004	14441-ZE1-000	LIFTER, VALVE	2	2514530
004	14441-ZE1-010	LIFTER, VALVE	2	2514531
005	14451-ZE1-013	PIVOT, ROCKER ARM	2	2450339
006	14568-ZE1-000	SPRING, WEIGHT RETURN	1	
007	14711-ZE0-010	VALVE, IN.	1	
008	14721-ZE6-010	VALVE, EX.	1	1969444
009	14751-ZE1-000	SPRING, VALVE	2	
010	14771-ZE1-000	RETAINER, IN. VALVE SPRING	1	2508721
010	14771-ZE6-010	RETAINER, VALVE SPRING	1	
011	14771-ZE1-000	RETAINER, IN. VALVE SPRING	1	2508721
<u>Ref</u>	<u>Partnumber</u>	<u>Description</u>	<u>GXV120</u>	<u>Serial Numbers</u>
011	14771-ZE6-010	RETAINER, VALVE SPRING	1	2508720
013	14791-ZE0-010	PLATE, PUSH ROD GUIDE	1	1163731
014	90012-ZE0-010	BOLT, PIVOT, 8MM	2	1163731
015	90206-ZE1-000	NUT, PIVOT ADJUSTING	2	



HENG-X0003

<u>Ref</u>	<u>Partnumber</u>	<u>Description</u>	<u>GXV120</u>	<u>Serial Numbers</u>
001	061B1-ZE6-710	GASKET KIT	1	2453829