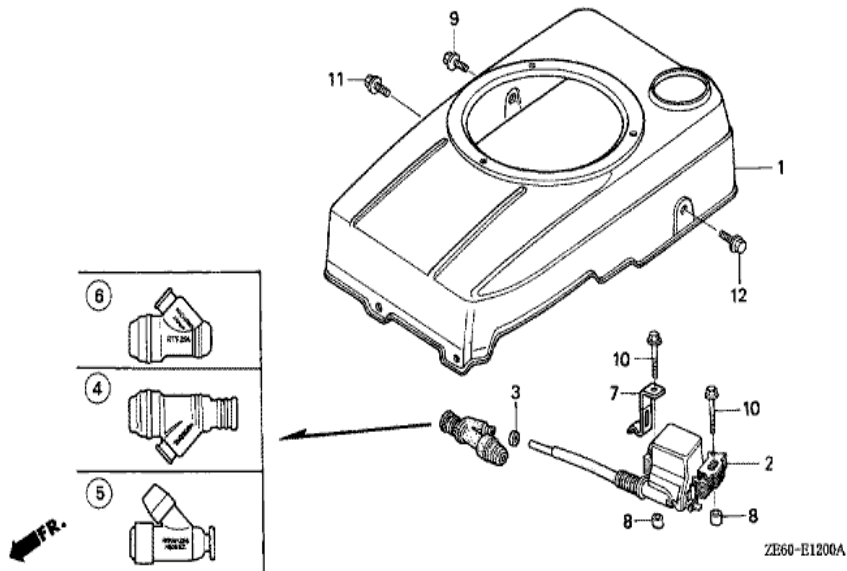
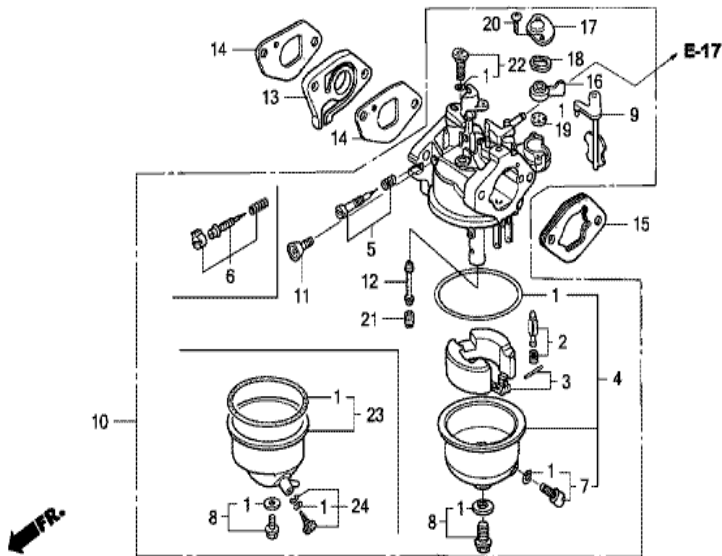


| <u>Ref</u> | <u>Partnumber</u> | <u>Description</u> | <u>GXV120</u> | <u>Serial Numbers</u> |
|------------|-------------------|------------------------------------|---------------|-----------------------|
| 001 | 28400-ZE6-003ZA | STARTER ASSY., RECOIL *R8 * | 1 | 2560780 |
| 001 | 28400-ZE6-003ZD | STARTER ASSY., RECOIL *R280 * | 1 | 2560781 |
| 002 | 28410-ZE6-003ZA | CASE COMP., RECOIL STARTER *R8 * | 1 | 2560780 |
| 002 | 28410-ZE6-003ZE | CASE COMP., RECOIL STARTER *R280 * | 1 | 2560781 |
| 003 | 28420-ZE6-003 | PULLEY, RECOIL STARTER | 1 | 1617086 |
| 004 | 28422-896-010 | RATCHET, STARTER | 1 | |
| 005 | 28431-896-000 | PLATE, FRICTION | 1 | |
| 006 | 28441-896-000 | SPRING, FRICTION | 1 | |
| 007 | 28442-ZE6-003 | SPRING, RECOIL STARTER | 1 | 1257295 |
| 008 | 28443-896-000 | SPRING, RETURN | 1 | |
| 009 | 28461-ZE1-003 | KNOB, RECOIL STARTER | 1 | |
| 011 | 28462-ZA7-003 | ROPE, RECOIL STARTER | 1 | |
| 012 | 95701-0600800 | BOLT, FLANGE, 6X8 | 3 | |
| <u>Ref</u> | <u>Partnumber</u> | <u>Description</u> | <u>GXV120</u> | <u>Serial Numbers</u> |
| 013 | 92101-060120H | BOLT, HEX., 6X12 | 1 | 2460954 |

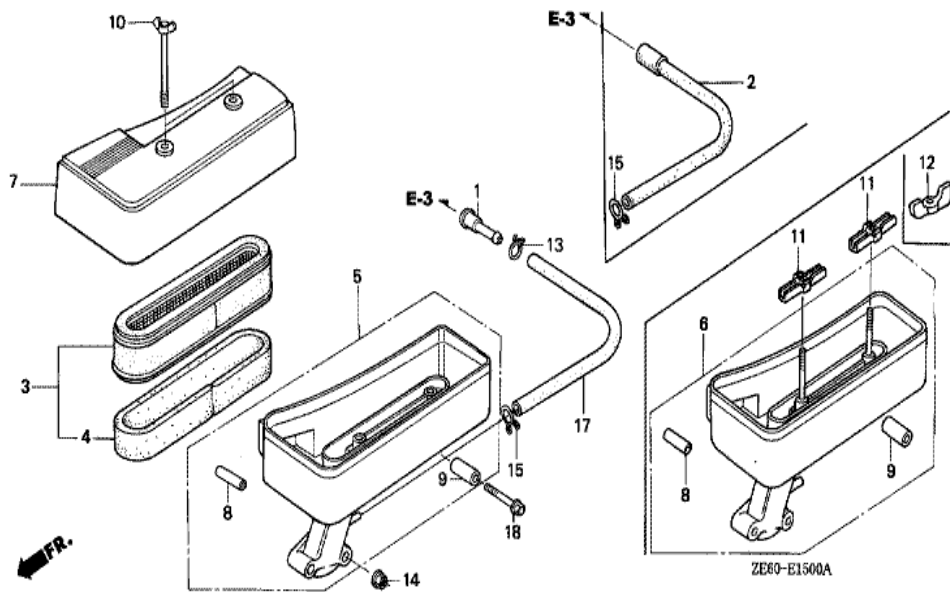


| Ref | Partnumber | Description | GXV120 | Serial Numbers |
|-----|-----------------|-----------------------------|--------|-----------------|
| 001 | 19610-ZE6-020ZA | COVER COMP., FAN *R8 * | 1 | 2465104 2560830 |
| 001 | 19610-ZE6-020ZE | COVER COMP., FAN *R280 * | 1 | 2560831 |
| 002 | 30500-ZG9-M02 | COIL ASSY., IGNITION | 1 | 2488069 |
| 002 | 30500-ZG9-M03 | COIL ASSY., IGNITION | 1 | 2557671 |
| 003 | 30505-ZE6-000 | GROMMET, HIGH TENSION CORD | 1 | |
| 005 | 30700-ZE6-023 | CAP ASSY., NOISE SUPPRESSOR | 1 | |
| 009 | 90013-883-000 | BOLT, FLANGE, 6X12 (CT200) | 1 | |
| 010 | 90121-952-000 | BOLT, FLANGE, 6X25 (CT200) | 2 | |
| 011 | 95701-0601000 | BOLT, FLANGE, 6X10 | 1 | |
| 012 | 90013-883-000 | BOLT, FLANGE, 6X12 (CT200) | 1 | |

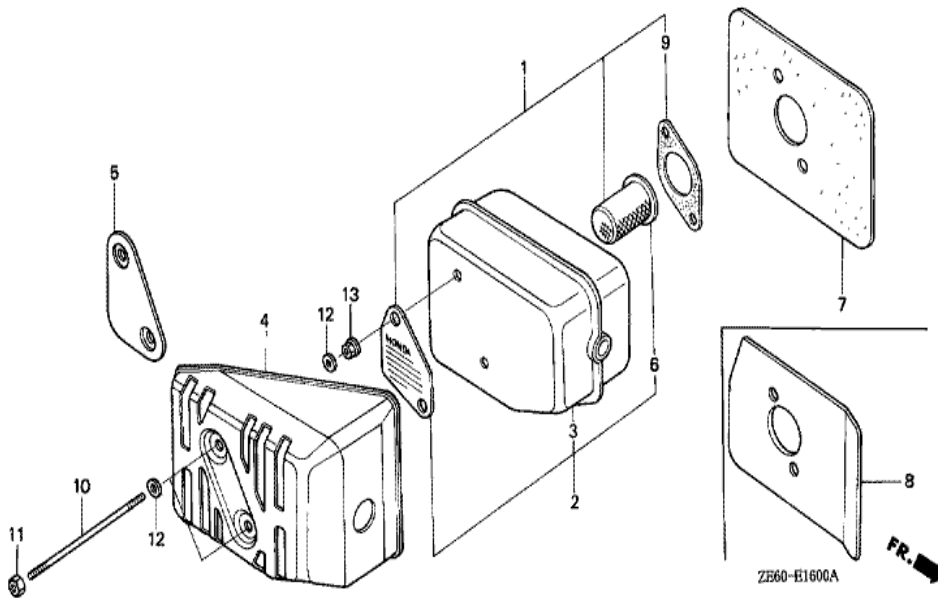


ZE80E1400B

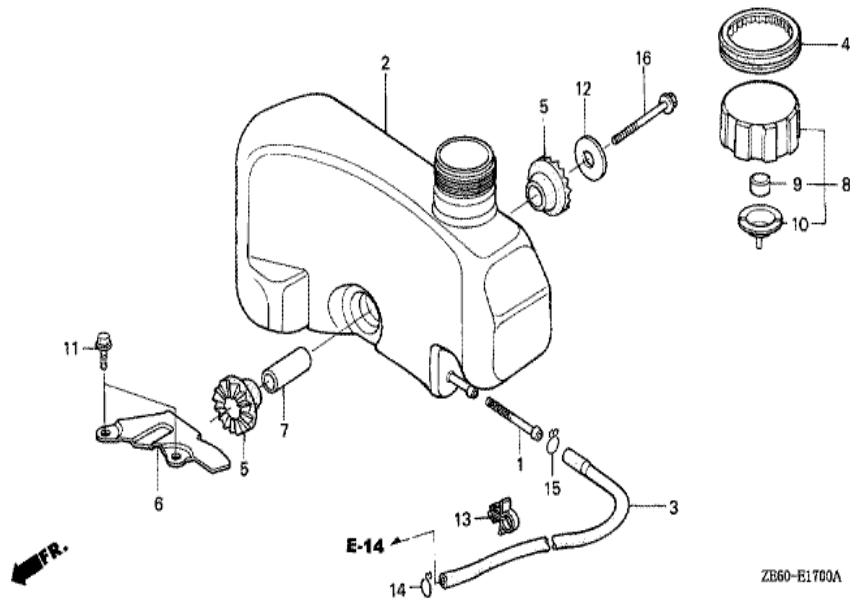
| Ref | Partnumber | Description | GXV120 | Serial Numbers |
|------------|-------------------|----------------------------|---------------|-----------------------|
| 001 | 16010-ZE6-G00 | GASKET SET | 1 | |
| 002 | 16011-ZE0-005 | VALVE SET, FLOAT | 1 | |
| 003 | 16013-ZE0-005 | FLOAT SET | 1 | |
| 005 | 16016-ZE0-005 | SCREW SET, PILOT | 1 | BE03A J |
| 006 | 16016-ZH7-W01 | SCREW SET, PILOT | 1 | BE56A B |
| 008 | 16028-ZE0-005 | SCREW SET | 1 | |
| 009 | 16045-ZE6-005 | CHOKE SET | 1 | |
| 010 | 16100-ZE6-V31 | CARBURETOR ASSY. (BE55A B) | 1 | 2509297 2530321 |
| 010 | 16100-ZE6-V71 | CARBURETOR ASSY. (BE55B A) | 1 | 2530322 |
| 011 | 16124-ZE0-005 | SCREW, THROTTLE STOP | 1 | |
| 012 | 16166-ZE6-W00 | NOZZLE, MAIN | 1 | BE03A H |
| 013 | 16211-ZE6-000 | INSULATOR, CARBURETOR | 1 | |
| 014 | 16212-ZG9-J60 | PACKING, INSULATOR | 2 | 2453089 |
| <u>Ref</u> | <u>Partnumber</u> | <u>Description</u> | <u>GXV120</u> | <u>Serial Numbers</u> |
| 015 | 16220-ZE6-010 | SPACER COMP., CARBURETOR | 1 | 1620115 |
| 016 | 16953-ZE6-015 | LEVER, COCK | 1 | BE56A B |
| 017 | 16954-ZE1-812 | PLATE, LEVER SETTING | 1 | |
| 018 | 16956-ZE1-811 | SPRING, COCK LEVER | 1 | BE03A C |
| 019 | 16957-ZE1-812 | PACKING, FUEL COCK | 1 | BE03A G |
| 020 | 93500-030061H | SCREW, PAN, 3X6 | 2 | BE56A B |
| 021 | 99101-ZH70520 | JET, MAIN, #52 | (1) | |
| 021 | 99101-ZH70550 | JET, MAIN, #55 | (1) | BE56A B |
| 021 | 99101-ZH70580 | JET, MAIN, #58 | 1 | BE56A B |
| 022 | 99204-ZE20380 | JET SET, PILOT, #38 | 1 | |
| 023 | 16015-ZH7-A20 | CHAMBER SET, FLOAT | 1 | BE55A B BE55A B |
| 023 | 16015-ZH7-A21 | CHAMBER SET, FLOAT | 1 | BE55B A |
| 024 | 16024-ZH7-A20 | SCREW SET, DRAIN | 1 | |



| Ref | Partnumber | Description | GXV120 | Serial Numbers |
|-----|---------------|-------------------------|--------|----------------|
| 002 | 15721-ZE6-010 | TUBE, BREATHER (180MM) | 1 | 2010136 |
| 003 | 17210-ZE6-003 | ELEMENT, AIR CLEANER | 1 | |
| 004 | 17218-888-003 | FILTER, OUTER | 1 | |
| 006 | 17220-ZE6-020 | CASE COMP., AIR CLEANER | 1 | 2195322 |
| 007 | 17231-ZE6-000 | COVER, AIR CLEANER | 1 | |
| 008 | 17238-ZE7-010 | COLLAR, AIR CLEANER | 2 | 1620115 |
| 009 | 17239-ZE6-300 | COLLAR B, AIR CLEANER | 1 | |
| 012 | 90325-044-000 | NUT, TOOL BOX SETTING | 2 | |
| 014 | 94050-06000 | NUT, FLANGE, 6MM | 2 | |
| 018 | 95701-0603500 | BOLT, FLANGE, 6X35 | 1 | |

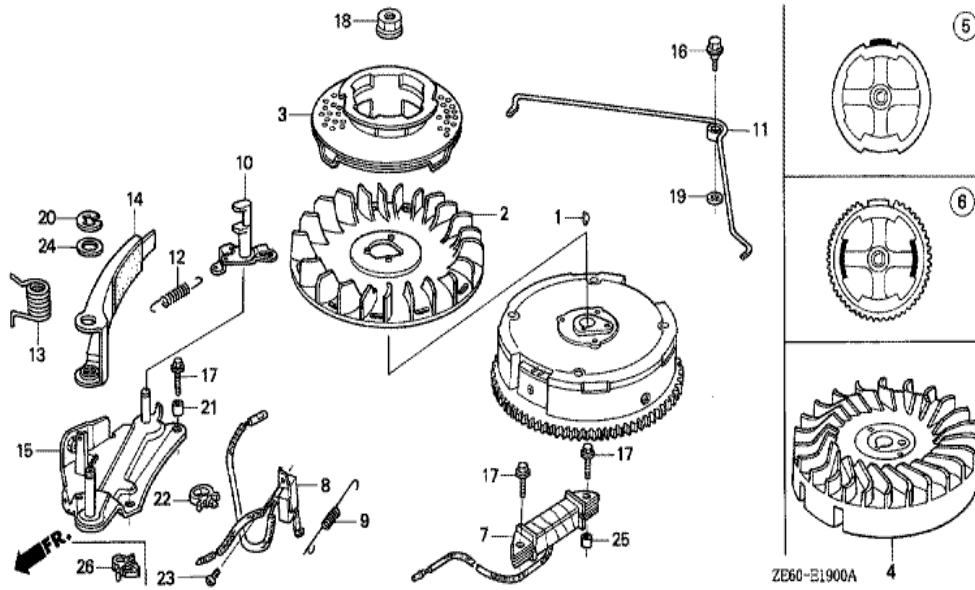


| Ref | Partnumber | Description | GXV120 | Serial Numbers |
|-----|---------------|---------------------|--------|----------------|
| 001 | 06180-ZE6-820 | ARRESTER KIT, SPARK | (1) | |
| 003 | 18310-ZE6-003 | MUFFLER COMP. | 1 | |
| 004 | 18320-ZE6-020 | PROTECTOR, MUFFLER | 1 | 2255908 |
| 006 | 18355-888-810 | ARRESTER, SPARK | (1) | 2519464 |
| 008 | 18381-ZE6-800 | GASKET, MUFFLER | 1 | |
| 009 | 18381-ZE6-820 | GASKET, MUFFLER | (1) | |
| 010 | 90013-ZE7-000 | BOLT, STUD, 6X82 | 2 | |
| 011 | 90343-ZE6-000 | NUT, SELF-LOCK, 6MM | 2 | |

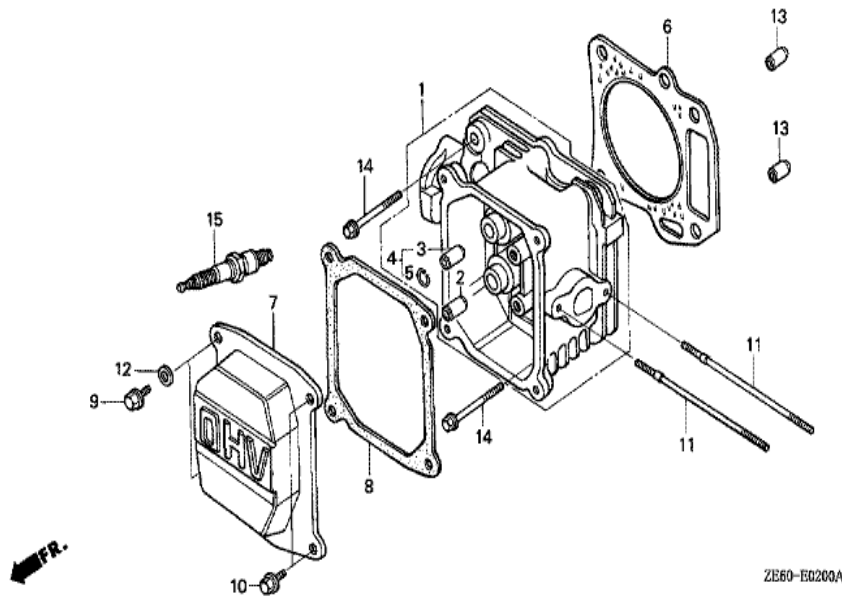


ZB60-E1700A

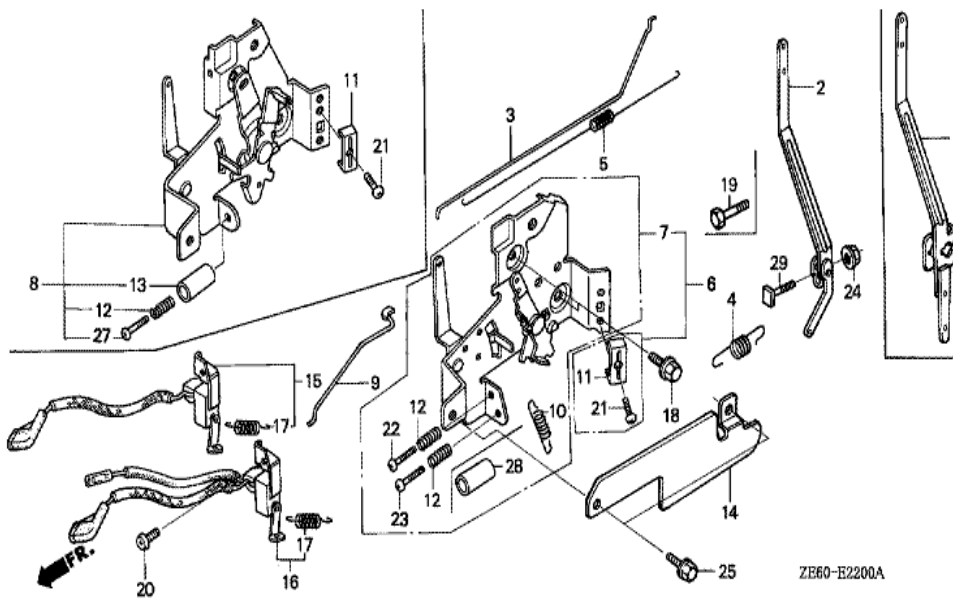
| <u>Ref</u> | <u>Partnumber</u> | <u>Description</u> | <u>GXV120</u> | <u>Serial Numbers</u> |
|------------|-------------------|----------------------------|---------------|-----------------------|
| 001 | 16952-ZE6-000 | STRAINER, FUEL | 1 | |
| 002 | 17510-ZE6-000 | TANK, FUEL | 1 | |
| 003 | 17512-ZE6-000 | TUBE, FUEL | 1 | |
| 004 | 17515-ZE6-000 | RUBBER, TANK MOUNTING | 1 | |
| 005 | 17516-896-700 | RUBBER B, TANK MOUNTING | 2 | |
| 006 | 17517-ZE6-000 | STAY COMP., TANK | 1 | |
| 007 | 17518-ZE6-000 | COLLAR, TANK SETTING | 1 | |
| 008 | 17620-ZE7-000 | CAP ASSY., FUEL TANK | 1 | 1617087 |
| 009 | 17622-888-010 | SPONGE, FUEL CAP BREATHER | 1 | |
| 010 | 17624-ZE7-000 | PACKING, FUEL CAP | 1 | 1617087 |
| 011 | 90014-952-000 | BOLT, FLANGE, 6X14 (CT200) | 2 | |
| 012 | 90455-896-700 | WASHER, TANK MOUNTING | 1 | |
| 013 | 90682-959-661 | CLIP B, CABLE (9MM BLACK) | 1 | |
| <u>Ref</u> | <u>Partnumber</u> | <u>Description</u> | <u>GXV120</u> | <u>Serial Numbers</u> |
| 014 | 95002-02080 | CLIP, TUBE (B8) | 1 | |
| 015 | 95002-70000 | CLIP, TUBE (C11) | 1 | |
| 016 | 95701-0805000 | BOLT, FLANGE, 8X50 | 1 | |



| Ref | Partnumber | Description | GXV120 | Serial Numbers |
|-----|---------------|------------------------------|--------|----------------|
| 001 | 13331-357-000 | KEY, SPECIAL WOODRUFF, 25X18 | 1 | |
| 002 | 19511-ZE6-000 | FAN, COOLING | 1 | |
| 003 | 28451-ZE6-003 | PULLEY COMP., STARTER | 1 | |
| 005 | 31100-ZE6-662 | FLYWHEEL COMP. | 1 | 2515184 |
| 018 | 90201-878-003 | NUT, SPECIAL, 14MM | 1 | |

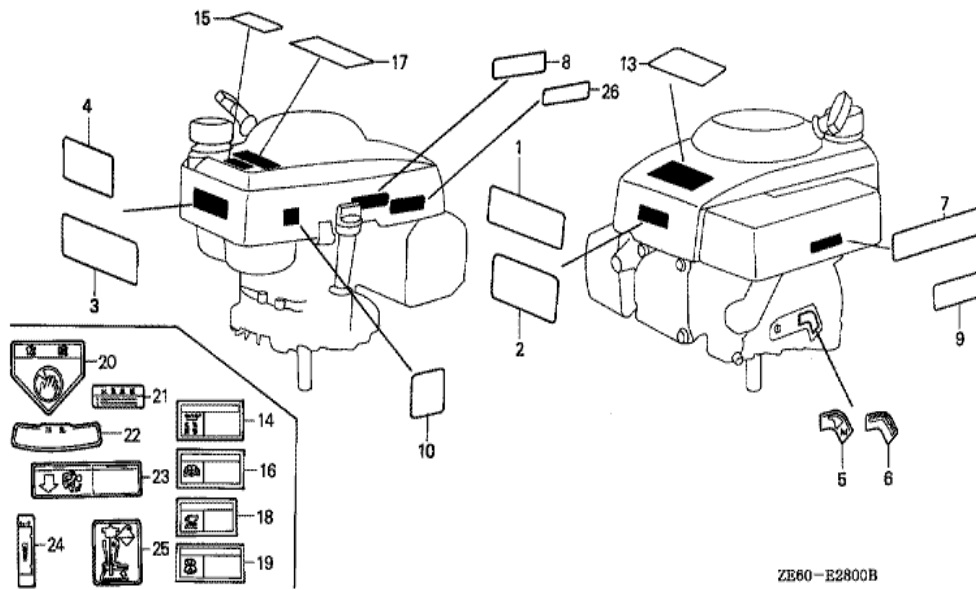


| <u>Ref</u> | <u>Partnumber</u> | <u>Description</u> | <u>GXV120</u> | <u>Serial Numbers</u> |
|------------|-------------------|--------------------------------|---------------|-----------------------|
| 001 | 12200-ZE6-040 | HEAD COMP., CYLINDER | 1 | 2551345 2551344 |
| 001 | 12200-ZE6-406 | HEAD COMP., CYLINDER | 1 | 2551345 |
| 002 | 12204-ZE1-306 | GUIDE, IN. VALVE (OS) | (1) | |
| 004 | 12205-ZE1-315 | GUIDE, EX. VALVE (OS) | (1) | 1231803 |
| 005 | 12216-ZE5-300 | CLIP, VALVE GUIDE | 1 | |
| 006 | 12251-ZE6-000 | GASKET, CYLINDER HEAD | 1 | |
| 007 | 12310-ZE7-000 | COVER, HEAD | 1 | 1616956 |
| 008 | 12391-ZE7-M10 | PACKING, HEAD COVER | 1 | 2453829 |
| 009 | 90014-952-000 | BOLT, FLANGE, 6X14 (CT200) | 2 | |
| 010 | 90013-883-000 | BOLT, FLANGE, 6X12 (CT200) | 2 | 2460985 |
| 011 | 90043-ZE6-000 | BOLT, STUD, 6X109 | 2 | 2488069 |
| 013 | 94301-10160 | DOWEL PIN, 10X16 | 2 | |
| 014 | 95701-0804500 | BOLT, FLANGE, 8X45 | 4 | |
| <u>Ref</u> | <u>Partnumber</u> | <u>Description</u> | <u>GXV120</u> | <u>Serial Numbers</u> |
| 015 | 98079-54846 | PLUG, SPARK (BPR4ES) (NGK) | (1) | |
| 015 | 98079-54855 | PLUG, SPARK (W14EPR-U) (DENSO) | (1) | |
| 015 | 98079-55846 | PLUG, SPARK (BPR5ES) (NGK) | 1 | |
| 015 | 98079-55855 | PLUG, SPARK (W16EPR-U) (DENSO) | 1 | |
| 015 | 98079-56846 | PLUG, SPARK (BPR6ES) (NGK) | (1) | |
| 015 | 98079-56855 | PLUG, SPARK (W20EPR-U) (DENSO) | (1) | |



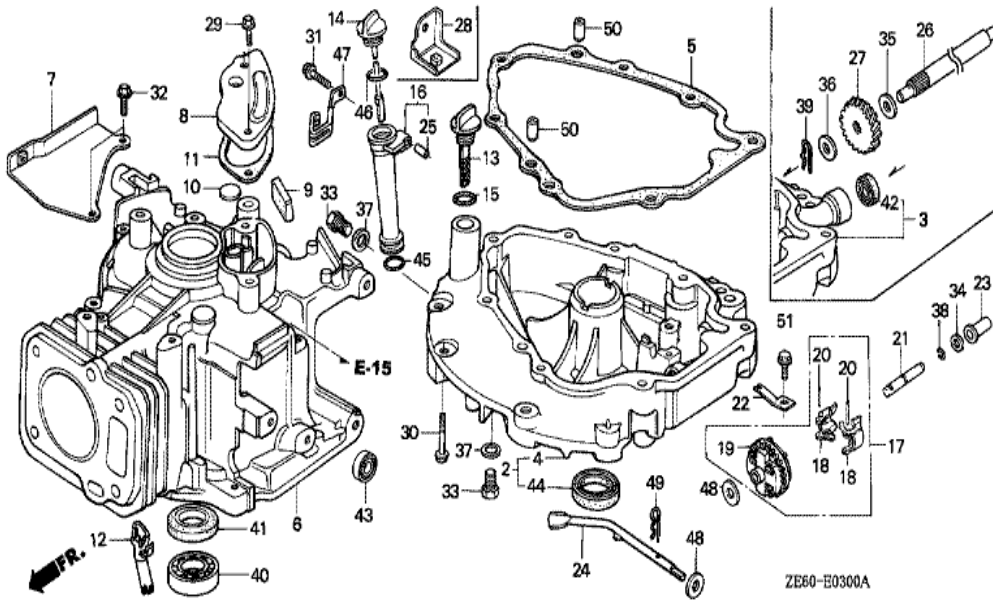
ZE60-E2200A

| <u>Ref</u> | <u>Partnumber</u> | <u>Description</u> | <u>GXV120</u> | <u>Serial Numbers</u> |
|------------|-------------------|----------------------------|---------------|-----------------------|
| 002 | 16551-ZE6-000 | ARM COMP., GOVERNOR | 1 | |
| 003 | 16555-ZE6-000 | ROD, GOVERNOR | 1 | |
| 004 | 16561-ZE6-010 | SPRING, GOVERNOR | 1 | 2530602 |
| 005 | 16562-ZE6-000 | SPRING, THROTTLE RETURN | 1 | |
| 007 | 16570-ZE6-030 | CONTROL COMP. | 1 | 2494013 |
| 009 | 16573-ZE6-010 | ROD, CHOKE | 1 | |
| 010 | 16574-ZG9-M00 | SPRING, LEVER | 1 | 2530602 |
| 011 | 16576-891-000 | HOLDER, CABLE | 1 | |
| 012 | 16584-883-300 | SPRING, CONTROL ADJUSTING | 2 | 2530602 |
| 014 | 17100-ZE6-000 | PROTECTOR, CONTROL | 1 | 2455958 |
| 016 | 36100-ZE6-641 | SWITCH ASSY., ENGINE STOP | 1 | |
| 017 | 36120-ZE6-010 | SPRING, SWITCH CONTROL | 1 | |
| 018 | 90013-883-000 | BOLT, FLANGE, 6X12 (CT200) | 2 | 2478684 |
| <u>Ref</u> | <u>Partnumber</u> | <u>Description</u> | <u>GXV120</u> | <u>Serial Numbers</u> |
| 020 | 93500-040080A | SCREW, PAN, 4X8 | 1 | |
| 021 | 93500-050160A | SCREW, PAN, 5X16 | 1 | |
| 022 | 93500-050200A | SCREW, PAN, 5X20 | 1 | 2530602 |
| 023 | 93500-050250A | SCREW, PAN, 5X25 | 1 | 2530602 |
| 024 | 94050-06000 | NUT, FLANGE, 6MM | 1 | |
| 025 | 95701-0601000 | BOLT, FLANGE, 6X10 | 2 | |
| 029 | 90015-ZE5-010 | BOLT, GOVERNOR ARM | 1 | |



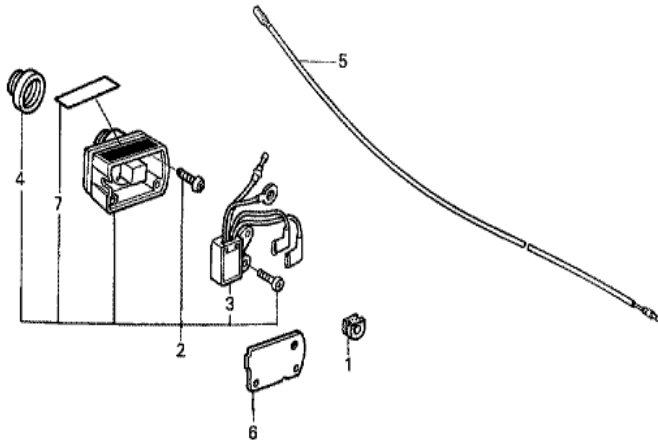
ZE60-E2800B

| Ref | Partnumber | Description | GXV120 | Serial Numbers |
|-----|---------------|--|--------|-----------------|
| 007 | 87524-VA4-A90 | MARK, AIR CLEANER CAUTION | 1 | |
| 008 | 87526-ZH8-000 | MARK B, COMBINATION (JAPANESE) | 1 | 2506690 |
| 010 | 87594-VA4-010 | MARK, OIL CAUTION | 1 | 2460953 |
| 013 | 87101-ZE6-000 | MARK, TOP COVER | 1 | 2560780 |
| 013 | 87101-ZE6-010 | MARK, TOP COVER | 1 | 2560781 |
| 015 | 87593-737-J00 | MARK, USE FUEL | 1 | |
| 017 | 87520-ZH8-000 | MARK A, COMBINATION (JAPANESE) | 1 | 2506690 |
| 026 | 87135-ZE2-000 | LABEL, E-SPEC (HONDA) (EPA STANDARD) (15 | 1 | 2551343 2555651 |
| 026 | 87135-ZE2-010 | LABEL, E-SPEC (EPA STANDARD) (15.5X60.0) | 1 | 2555652 2563112 |
| 026 | 87135-ZE2-020 | LABEL, E-SPEC (15.5X27.5) | 1 | 2563113 |



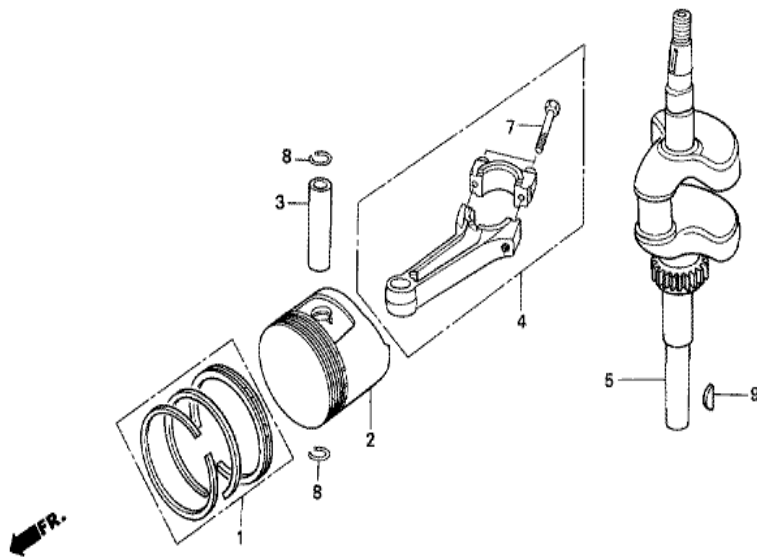
| Ref | Partnumber | Description | GXV120 | Serial Numbers |
|-----|---------------|-----------------------------|--------|----------------|
| 002 | 11300-ZE6-407 | PAN ASSY., OIL | 1 | 2195322 |
| 005 | 11381-ZG9-J60 | PACKING, OIL PAN | 1 | |
| 006 | 12100-ZE6-030 | BARREL COMP., CYLINDER | 1 | 2553493 |
| 006 | 12100-ZE6-405 | BARREL COMP., CYLINDER | 1 | 2553494 |
| 007 | 12125-ZE6-010 | PLATE, GUIDE | 1 | 1039557 |
| 008 | 12360-ZE6-000 | CAP COMP., BREATHER CHAMBER | 1 | |
| 009 | 12367-ZE6-010 | FILTER, BREATHER | 1 | 1985316 |
| 010 | 12372-879-000 | VALVE, BREATHER | 1 | |
| 011 | 12373-ZE6-000 | PACKING, BREATHER CHAMBER | 1 | |
| 012 | 12385-ZE6-000 | PIPE, OIL DEFENSE | 1 | |
| 014 | 15620-ZE6-810 | GAUGE COMP., OIL LEVEL | 1 | 2195322 |
| 016 | 15630-ZE6-810 | EXTENSION, OIL FILLER | 1 | 2195322 |
| 017 | 16510-ZE6-000 | GOVERNOR ASSY. | 1 | |

| <u>Ref</u> | <u>Partnumber</u> | <u>Description</u> | <u>GXV120</u> | <u>Serial Numbers</u> |
|------------|-------------------|------------------------------|---------------|-----------------------|
| 018 | 16511-ZE1-000 | WEIGHT, GOVERNOR | 2 | |
| 019 | 16512-ZE6-000 | HOLDER, GOVERNOR WEIGHT | 1 | |
| 020 | 16513-ZE1-000 | PIN, GOVERNOR WEIGHT | 2 | |
| 021 | 16515-ZE6-000 | SHAFT, GOVERNOR HOLDER | 1 | 2560774 |
| 021 | 16515-ZE6-010 | SHAFT, GOVERNOR HOLDER | 1 | 2560775 |
| 022 | 16525-ZE6-010 | PLATE, GOVERNOR SHAFT HOLDER | 1 | |
| 023 | 16531-ZE1-000 | SLIDER, GOVERNOR | 1 | |
| 024 | 16541-ZE7-000 | SHAFT, GOVERNOR ARM | 1 | 1616913 |
| 025 | 17240-ZE6-000 | COLLAR, EXTENSION | 1 | 1257295 |
| 029 | 90013-883-000 | BOLT, FLANGE, 6X12 (CT200) | 2 | |
| 030 | 90015-883-000 | BOLT, FLANGE, 6X28 (CT200) | 7 | |
| 031 | 90017-883-000 | BOLT, FLANGE, 6X32 (CT200) | 1 | |
| 032 | 90022-888-010 | BOLT, FLANGE, 6X20 (CT200) | 2 | |
| 033 | 90131-ZE1-000 | BOLT, DRAIN PLUG | 1 | 2089576 |
| 034 | 90451-898-000 | WASHER, THRUST, 6MM | 1 | 0 |
| 034 | 90451-ZE1-000 | WASHER, THRUST, 6MM | 1 | 2560775 |
| 037 | 90601-ZE1-000 | WASHER, DRAIN PLUG, 10.2MM | 2 | 2089575 |
| 038 | 90602-ZE1-000 | CLIP, GOVERNOR HOLDER | 1 | |
| 040 | 91001-878-003 | BEARING, RADIAL BALL, | 1 | |
| 041 | 91202-ZE6-003 | OIL SEAL, 22X35X6 | 1 | 2563587 |
| 041 | 91202-ZE6-013 | OIL SEAL, 22X35X6 | 1 | 2563588 |
| 043 | 91231-891-003 | OIL SEAL, 6X11X4 (ARAI) | 1 | |
| 044 | 91252-888-003 | OIL SEAL, 25X38X7 (ARAI) | 1 | |
| 045 | 91301-805-000 | O-RING, 26X2.7 | 1 | |
| 046 | 91301-ZE9-003 | O-RING, 22.1X2.2 | 1 | 1257295 |
| 048 | 94101-06800 | WASHER, PLAIN, 6MM | 2 | |
| 049 | 94251-08000 | PIN, LOCK, 8MM | 1 | |
| 050 | 94301-08140 | DOWEL PIN, 8X14 | 2 | |
| 051 | 95701-0601208 | BOLT, FLANGE, 6X12 | 1 | |



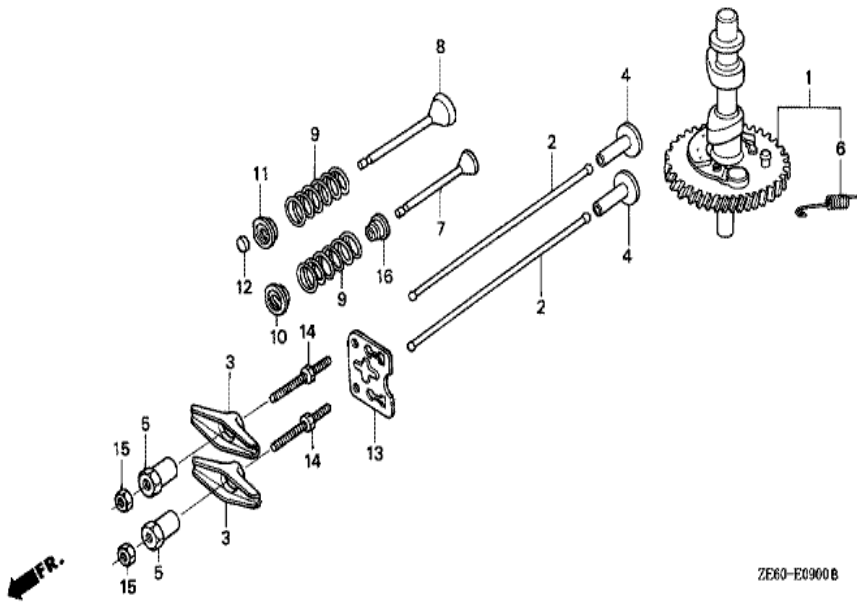
ZE60-B4001A

| Ref | Partnumber | Description | GXV120 | Serial Numbers |
|-----|---------------|----------------------------------|--------|----------------|
| 001 | 15521-ZA8-000 | GROMMET, CORD | 1 | |
| 002 | 35120-735-A21 | SWITCH ASSY., ONE PUSH KILL | 1 | |
| 003 | 35140-734-971 | KILL UNIT, ENGINE | 1 | |
| 004 | 35146-734-A21 | CAP, ENGINE KILL SWITCH | 1 | |
| 005 | 36151-733-000 | CORD, ENGINE STOP | 1 | |
| 006 | 53106-734-970 | PLATE, ENGINE KILL SWITCH BOTTOM | 1 | |
| 007 | 87504-734-800 | MARK, ENGINE KILL SWITCH | 1 | |



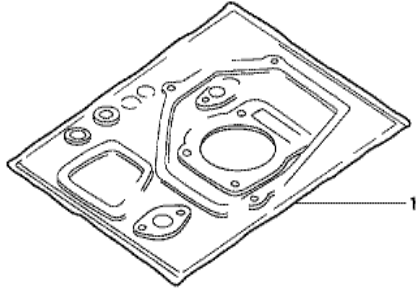
ZE60-B0800A

| <u>Ref</u> | <u>Partnumber</u> | <u>Description</u> | <u>GXV120</u> | <u>Serial Numbers</u> |
|------------|-------------------|---|---------------|-----------------------|
| 001 | 13010-ZE6-013 | RING SET, PISTON (STD.) (NIPPON) | 1 | 2147022 2554750 |
| 001 | 13010-ZE6-014 | RING SET, PISTON (STD.) (TEIKOKU) | 1 | 2147022 2554750 |
| 001 | 13010-ZH7-003 | RING SET, PISTON (STD.) (TEIKOKU) | 1 | 2554751 |
| 001 | 13010-ZH7-004 | RING SET, PISTON (STD.) (NIPPON) | 1 | 2554751 |
| 001 | 13011-ZE6-013 | RING SET, PISTON (0.25) (NIPPON) | (1) | |
| 001 | 13011-ZE6-014 | RING SET, PISTON (0.25) (TEIKOKU) | (1) | 2147022 2554750 |
| 001 | 13011-ZH7-003 | RING SET, PISTON (0.25) (TEIKOKU) | (1) | 2554751 |
| 001 | 13011-ZH7-004 | RING SET, PISTON (0.25) (NIPPON) | (1) | 2554751 |
| 001 | 13012-ZE6-013 | RING SET, PISTON (0.50) (NIPPON) | (1) | 2147022 |
| 001 | 13012-ZE6-014 | RING SET, PISTON (0.50) (TEIKOKU) | (1) | 2147022 2554750 |
| 001 | 13012-ZH7-003 | RING SET, PISTON (0.50) (TEIKOKU) | (1) | 2554751 |
| 001 | 13012-ZH7-004 | RING SET, PISTON (0.50) (NIPPON) | (1) | 2554751 |
| 001 | 13013-ZE6-013 | RING SET, PISTON (0.75) (NIPPON) | (1) | 2147022 2554750 |
| <u>Ref</u> | <u>Partnumber</u> | <u>Description</u> | <u>GXV120</u> | <u>Serial Numbers</u> |
| 001 | 13013-ZE6-014 | RING SET, PISTON (0.75) (TEIKOKU) | (1) | |
| 001 | 13013-ZH7-003 | RING SET, PISTON (0.75) (TEIKOKU) | (1) | 2554751 |
| 001 | 13013-ZH7-004 | RING SET, PISTON (0.75) (NIPPON) | (1) | 2554751 |
| 002 | 13101-ZE6-023 | PISTON (STD.) | 1 | 2147022 |
| 002 | 13101-ZE6-033 | PISTON (STD.) | 1 | 2554751 |
| 002 | 13102-ZE6-010 | PISTON (0.25) | (1) | 2554751 |
| 002 | 13102-ZE6-023 | PISTON (0.25) | (1) | 2147022 2554750 |
| 002 | 13103-ZE6-010 | PISTON (0.50) | (1) | 2554751 |
| 002 | 13103-ZE6-023 | PISTON (0.50) | (1) | 2147022 2554750 |
| 002 | 13104-ZE6-010 | PISTON (0.75) | (1) | 2554751 |
| 002 | 13104-ZE6-023 | PISTON (0.75) | (1) | |
| 003 | 13111-ZE0-000 | PIN, PISTON | 1 | |
| 004 | 13200-ZE6-010 | ROD ASSY., CONNECTING | 1 | |
| 004 | 13200-ZE6-315 | ROD ASSY., CONNECTING (0.25 UNDER SIZE) | (1) | |
| 005 | 13310-ZE6-640 | CRANKSHAFT COMP. | 1 | |
| 007 | 90001-ZE1-000 | BOLT, CONNECTING ROD | 2 | |
| 008 | 90551-ZE0-000 | CLIP, PISTON PIN, 13MM | 2 | |



ZE60-E09008

| <u>Ref</u> | <u>Partnumber</u> | <u>Description</u> | <u>GXV120</u> | <u>Serial Numbers</u> |
|------------|-------------------|----------------------------|---------------|-----------------------|
| 001 | 14100-ZE6-W00 | CAMSHAFT ASSY. | 1 | 2465084 |
| 002 | 14410-ZE0-010 | ROD, PUSH | 2 | |
| 003 | 14431-ZE1-000 | ARM, VALVE ROCKER | 2 | |
| 004 | 14441-ZE1-010 | LIFTER, VALVE | 2 | 2514531 |
| 005 | 14451-ZE1-013 | PIVOT, ROCKER ARM | 2 | 2450339 |
| 006 | 14568-ZE1-000 | SPRING, WEIGHT RETURN | 1 | |
| 007 | 14711-ZE0-010 | VALVE, IN. | 1 | |
| 008 | 14721-ZE6-010 | VALVE, EX. | 1 | 1969444 |
| 009 | 14751-ZE1-000 | SPRING, VALVE | 2 | |
| 010 | 14771-ZE1-000 | RETAINER, IN. VALVE SPRING | 1 | 2508721 |
| 011 | 14771-ZE1-000 | RETAINER, IN. VALVE SPRING | 1 | 2508721 |
| 013 | 14791-ZE0-010 | PLATE, PUSH ROD GUIDE | 1 | 1163731 |
| 014 | 90012-ZE0-010 | BOLT, PIVOT, 8MM | 2 | 1163731 |
| <u>Ref</u> | <u>Partnumber</u> | <u>Description</u> | <u>GXV120</u> | <u>Serial Numbers</u> |
| 015 | 90206-ZE1-000 | NUT, PIVOT ADJUSTING | 2 | |
| 016 | 12209-ZE6-003 | SEAL, VALVE STEM | 1 | 2554751 |



HENG-X0003

| <u>Ref</u> | <u>Partnumber</u> | <u>Description</u> | <u>GXV120</u> | <u>Serial Numbers</u> |
|------------|-------------------|--------------------|---------------|-----------------------|
| 001 | 061B1-ZE6-710 | GASKET KIT | 1 | 2453829 |