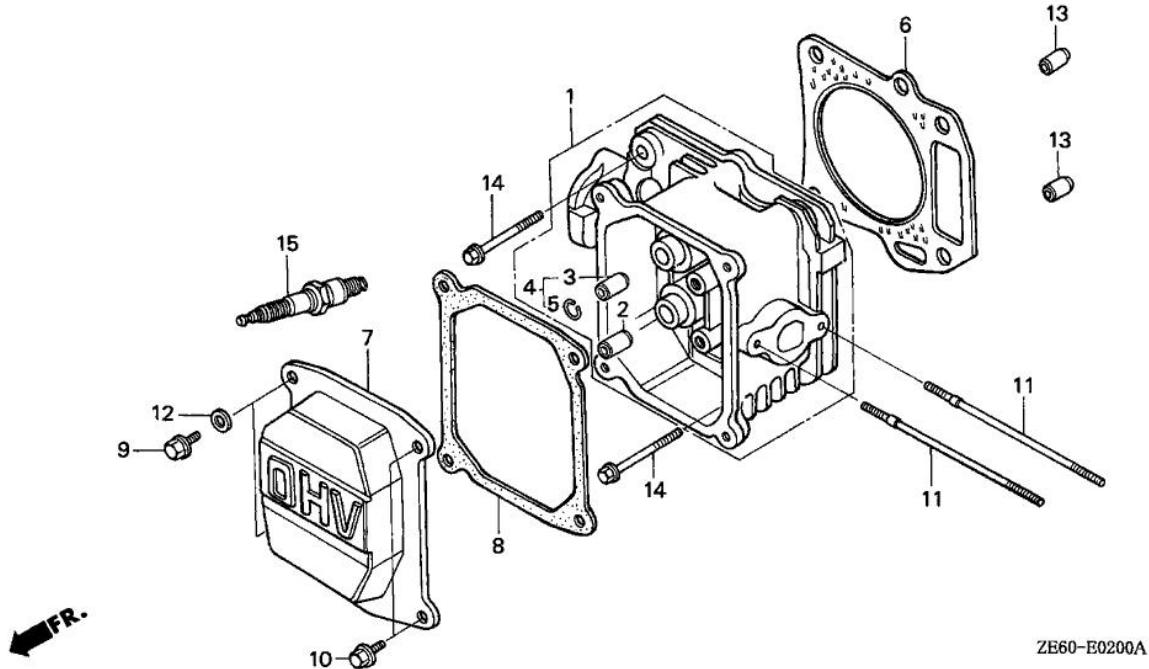
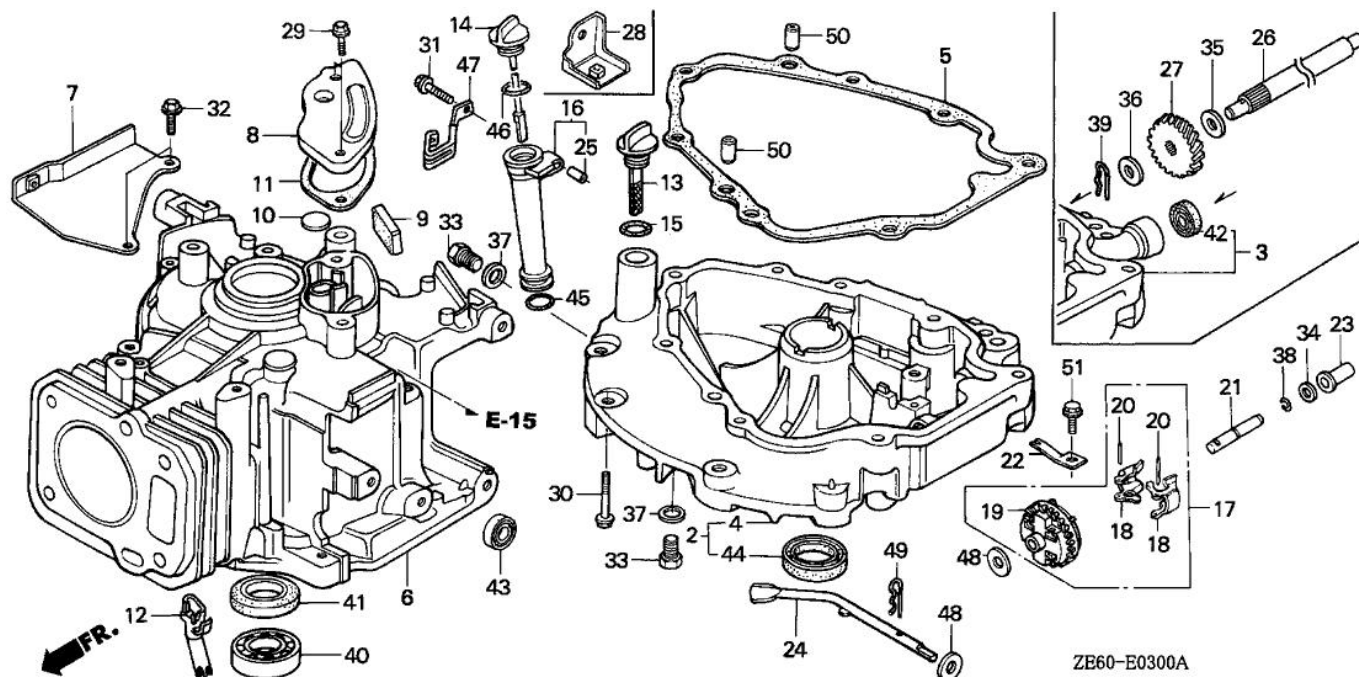


# TRU-POWER, INC.

|                   |               |                     |                               |
|-------------------|---------------|---------------------|-------------------------------|
| <b>Model Name</b> | <b>GXV120</b> | <b>Product Line</b> | <b>GENERAL PURPOSE ENGINE</b> |
| <b>Mfg</b>        |               | <b>Type</b>         | <b>D12</b>                    |
| <b>Section</b>    | <b>ENGINE</b> | <b>Illustration</b> | <b>CYLINDER HEAD</b>          |

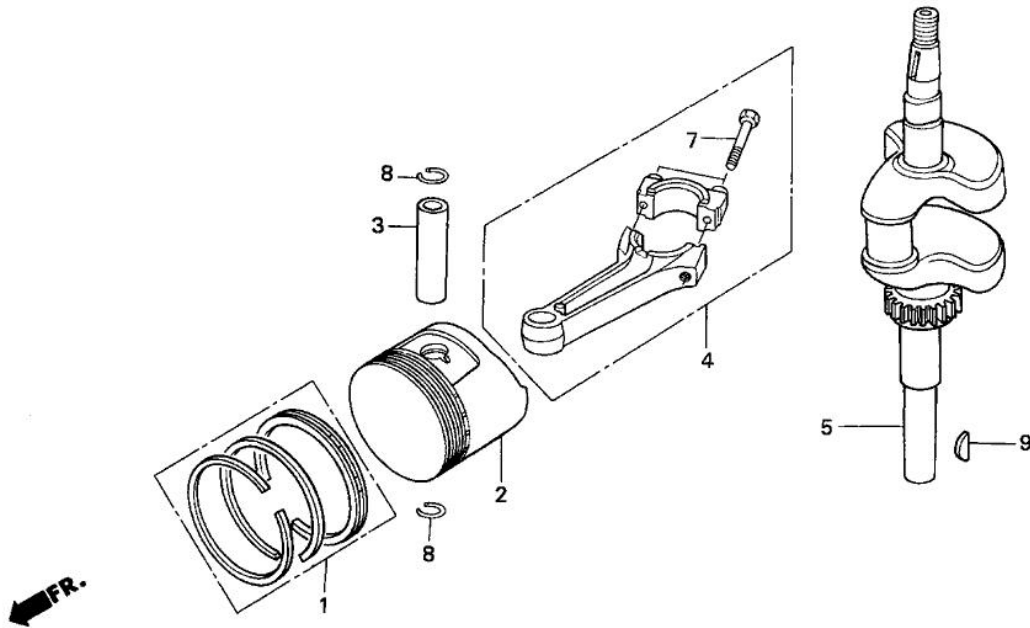


| Ref. | Part Number    | Part Description              | Qty. |
|------|----------------|-------------------------------|------|
| 001  | 12200-ZE6-406  | CYLINDER HEAD                 | 001  |
| 002  | 12204-ZE1-306  | GUIDE, VALVE (OVER SIZE)      | (1)  |
| 004  | 12205-ZE1-315  | GUIDE, EX. VALVE (OVER SIZE)  | (1)  |
| 005  | 12216-ZE5-300  | CLIP, VALVE GUIDE             | 001  |
| 006  | 12251-ZE6-000  | GASKET, CYLINDER HEAD         | 001  |
| 007  | 12310-ZE7-000  | COVER, HEAD                   | 001  |
| 008  | 12391-ZE7-M10  | GASKET, HEAD COVER            | 001  |
| 009  | 90014-952-000  | BOLT, FLANGE (6X14) (CT200)   | 002  |
| 010  | 90013-883-000  | BOLT, FLANGE (6X12) (CT200)   | 002  |
| 011  | 90043-ZE1-020  | BOLT, STUD (6X112)            | 002  |
| 011  | 90043-ZE6-000  | BOLT, STUD (6X109)            | 002  |
| 013  | 94301-10160    | PIN, DOWEL (10X16)            | 002  |
| 014  | 95701-08045-00 | BOLT, FLANGE (8X45)           | 004  |
| 015  | 98079-54846    | SPARK PLUG (BPR4ES) (NGK)     | (1)  |
| 015  | 98079-54855    | SPARK PLUG (W14EPR-U) (DENSO) | (1)  |
| 015  | 98079-55846    | SPARK PLUG (BPR5ES) (NGK)     | 001  |
| 015  | 98079-55855    | SPARK PLUG (W16EPR-U) (DENSO) | 001  |
| 015  | 98079-56846    | SPARK PLUG (BPR6ES) (NGK)     | (1)  |
| 015  | 98079-56855    | SPARK PLUG (W20EPR-U) (DENSO) | (1)  |



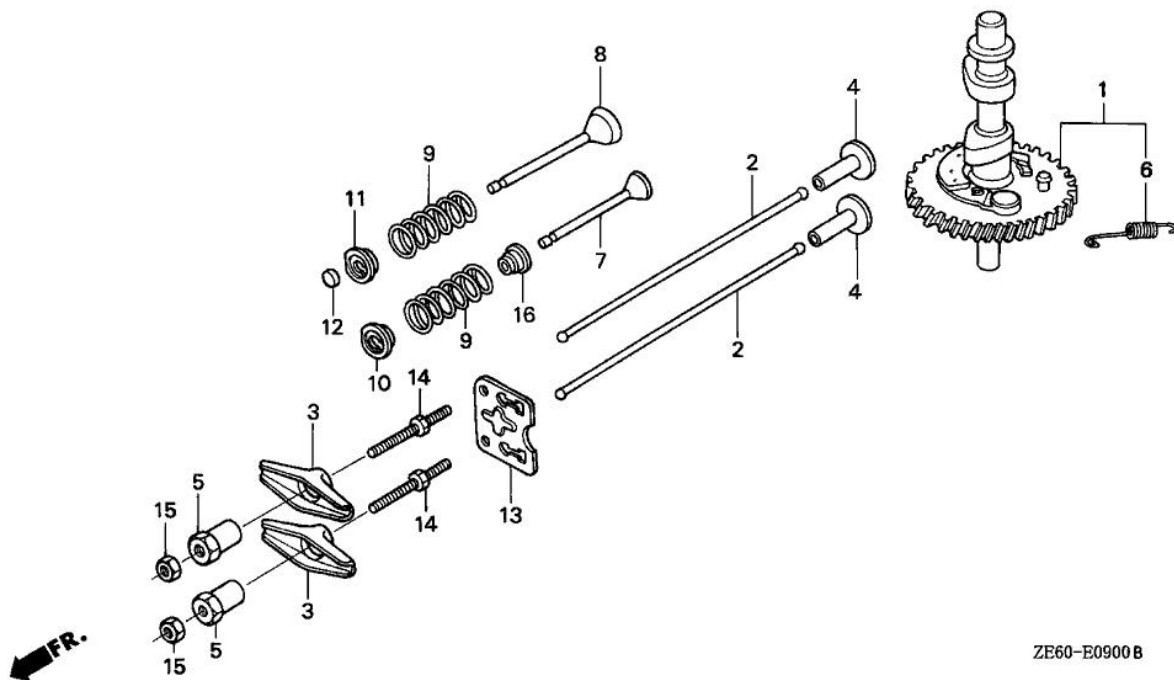
| Ref. | Part Number   | Part Description             | Qty. |
|------|---------------|------------------------------|------|
| 002  | 11300-ZE6-407 | PAN ASSY., OIL               | 001  |
| 005  | 11381-ZG9-J60 | GASKET, OIL PAN              | 001  |
| 005  | 11381-ZG9-T00 | GASKET, OIL PAN              | 001  |
| 006  | 12100-ZE6-405 | CYLINDER                     | 001  |
| 007  | 12125-ZE6-010 | PLATE, GUIDE                 | 001  |
| 008  | 12360-ZE6-000 | CAP, BREATHER CHAMBER        | 001  |
| 009  | 12367-ZE6-010 | FILTER, BREATHER             | 001  |
| 010  | 12372-879-000 | VALVE, BREATHER              | 001  |
| 011  | 12373-ZE6-000 | PKG, BRTHR. CAP              | 001  |
| 012  | 12385-ZE6-000 | PIPE, OIL DEFENSE            | 001  |
| 014  | 15620-ZE6-810 | DIPSTICK, OIL                | 001  |
| 016  | 15630-ZE6-810 | EXTENSION, OIL FILLER        | 001  |
| 017  | 16510-ZE6-000 | GOVERNOR ASSY.               | 001  |
| 018  | 16511-ZE1-000 | WEIGHT, GOVERNOR             | 002  |
| 019  | 16512-ZE6-000 | HOLDER, GOVERNOR WEIGHT      | 001  |
| 020  | 16513-ZE1-000 | PIN, GOVERNOR WEIGHT         | 002  |
| 021  | 16515-ZE6-000 | SHAFT, GOVERNOR HOLDER       | 001  |
| 021  | 16515-ZE6-010 | SHAFT, GOVERNOR HOLDER       | 001  |
| 022  | 16525-ZE6-010 | PLATE, GOVERNOR SHAFT HOLDER | 001  |
| 023  | 16531-ZE1-000 | SLIDER, GOVERNOR             | 001  |
| 024  | 16541-ZE7-000 | SHAFT, GOVERNOR ARM          | 001  |
| 025  | 17240-ZE6-000 | COLLAR, EXTENSION            | 001  |
| 029  | 90013-883-000 | BOLT, FLANGE (6X12) (CT200)  | 002  |
| 030  | 90015-883-000 | BOLT, FLANGE (6X28) (CT200)  | 007  |
| 031  | 90017-883-000 | BOLT, FLANGE (6X32) (CT200)  | 001  |
| 032  | 90022-888-010 | BOLT, FLANGE (6X20) (CT200)  | 002  |
| 033  | 90131-ZE1-000 | BOLT, DRAIN PLUG             | 001  |
| 034  | 90451-ZE1-000 | WASHER, THRUST (6MM)         | 001  |
| 037  | 90601-ZE1-000 | WASHER, DRAIN PLUG (10.2MM)  | 001  |
| 038  | 90602-ZE1-000 | CLIP, GOVERNOR HOLDER        | 001  |
| 040  | 91001-878-003 | BEARING, RADIAL BALL         | 001  |
| 041  | 91202-ZE6-013 | OIL SEAL (22X35X6)           | 001  |

| Ref. | Part Number    | Part Description          | Qty. |
|------|----------------|---------------------------|------|
| 043  | 91231-891-003  | OIL SEAL (6X11X4) (ARAI)  | 001  |
| 044  | 91201-ZG9-U71  | OIL SEAL (25X38X7)        | 001  |
| 044  | 91252-888-003  | OIL SEAL (25X38X7) (ARAI) | 001  |
| 045  | 91301-805-000  | O-RING (26X2.7)           | 001  |
| 046  | 91301-ZE9-003  | O-RING (22.1X2.2)         | 001  |
| 048  | 94101-06800    | WASHER, PLAIN (6MM)       | 002  |
| 049  | 94251-08000    | PIN, LOCK (8MM)           | 001  |
| 050  | 94301-08140    | PIN, DOWEL (8X14)         | 002  |
| 051  | 95701-06012-08 | BOLT, FLANGE (6X12)       | 001  |



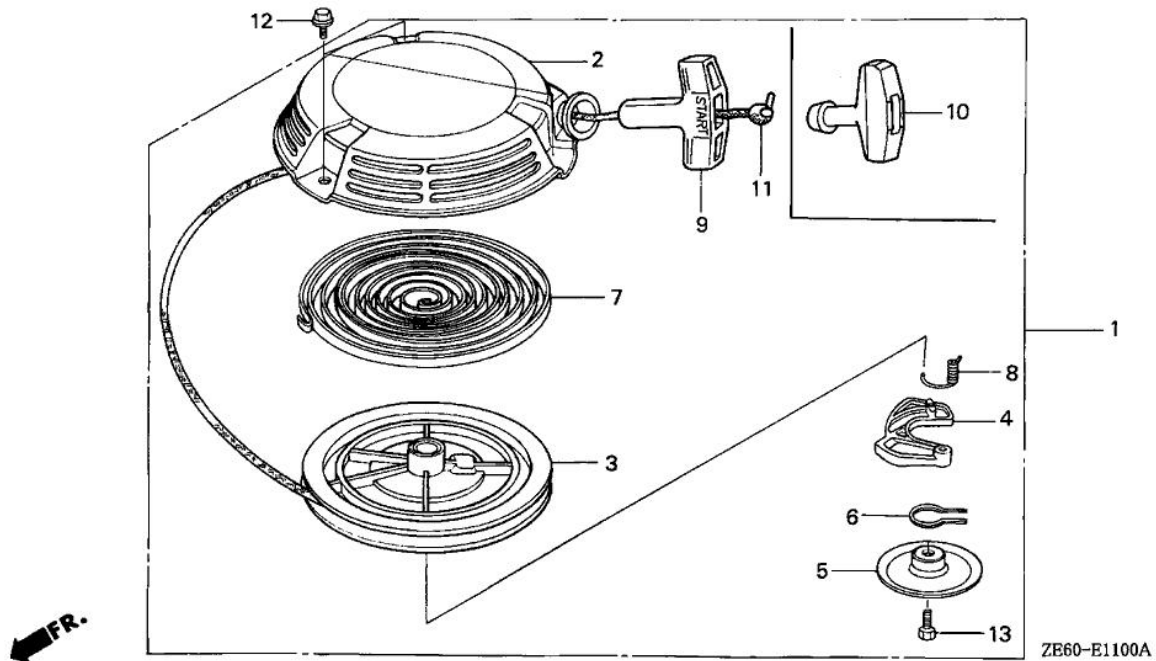
ZE60-E0800A

| Ref. | Part Number   | Part Description                        | Qty. |
|------|---------------|---|------|
| 001  | 13010-ZE6-013 | RING SET, PISTON (STD) (NIPPON)         | 001  |
| 001  | 13010-ZH7-003 | RING SET, PISTON (STD) (TEIKOKU)        | 001  |
| 001  | 13010-ZH7-004 | RING SET, PISTON (STD) (NIPPON)         | 001  |
| 001  | 13011-ZE6-013 | RING SET, PISTON (0.25) (NIPPON)        | (1)  |
| 001  | 13011-ZE6-014 | RING SET, PISTON (0.25) (TEIKOKU)       | (1)  |
| 001  | 13011-ZH7-003 | RING SET, PISTON (0.25) (TEIKOKU)       | (1)  |
| 001  | 13011-ZH7-004 | RING SET, PISTON (0.25) (NIPPON)        | (1)  |
| 001  | 13012-ZE6-013 | RING SET, PISTON (0.50) (NIPPON)        | (1)  |
| 001  | 13012-ZH7-003 | RING SET, PISTON (0.50) (TEIKOKU)       | (1)  |
| 001  | 13012-ZH7-004 | RING SET, PISTON (0.50) (NIPPON)        | (1)  |
| 001  | 13013-ZE6-013 | RING SET, PISTON (0.75) (NIPPON)        | (1)  |
| 001  | 13013-ZE6-014 | RING SET, PISTON (0.75) (TEIKOKU)       | (1)  |
| 001  | 13013-ZH7-003 | RING SET, PISTON (0.75) (TEIKOKU)       | (1)  |
| 001  | 13013-ZH7-004 | RING SET, PISTON (0.75) (NIPPON)        | (1)  |
| 002  | 13101-ZE6-023 | PISTON (STD)                            | 001  |
| 002  | 13101-ZE6-033 | PISTON (STD)                            | 001  |
| 002  | 13102-ZE6-010 | PISTON (0.25)                           | (1)  |
| 002  | 13102-ZE6-023 | PISTON (0.25)                           | (1)  |
| 002  | 13103-ZE6-010 | PISTON (0.50)                           | (1)  |
| 002  | 13103-ZE6-023 | PISTON (0.50)                           | (1)  |
| 002  | 13104-ZE6-010 | PISTON (0.75)                           | (1)  |
| 002  | 13104-ZE6-023 | PISTON (0.75)                           | (1)  |
| 003  | 13111-ZE0-000 | PIN, PISTON                             | 001  |
| 004  | 13200-ZE6-010 | ROD ASSY., CONNECTING                   | 001  |
| 004  | 13200-ZE6-315 | ROD ASSY., CONNECTING (0.25 LOWER SIZE) | (1)  |
| 005  | 13310-ZE6-000 | CRANKSHAFT                              | 001  |
| 007  | 90001-ZE1-000 | BOLT, CONNECTING ROD                    | 002  |
| 008  | 90551-ZE0-000 | CLIP, PISTON PIN (13MM)                 | 002  |

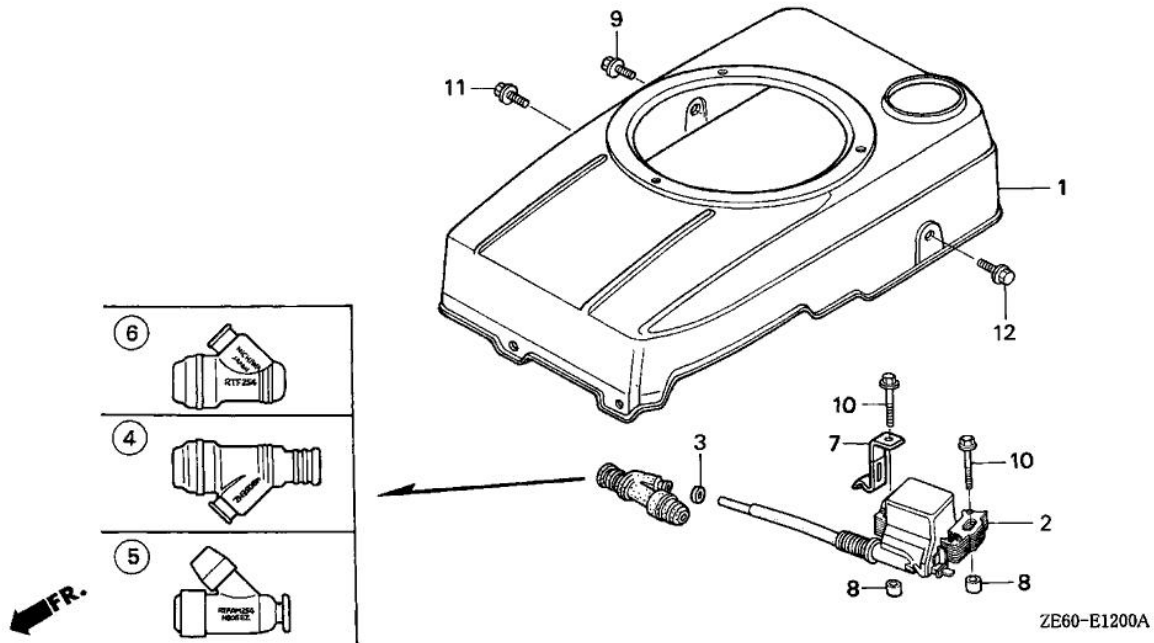


ZE60-E0900B

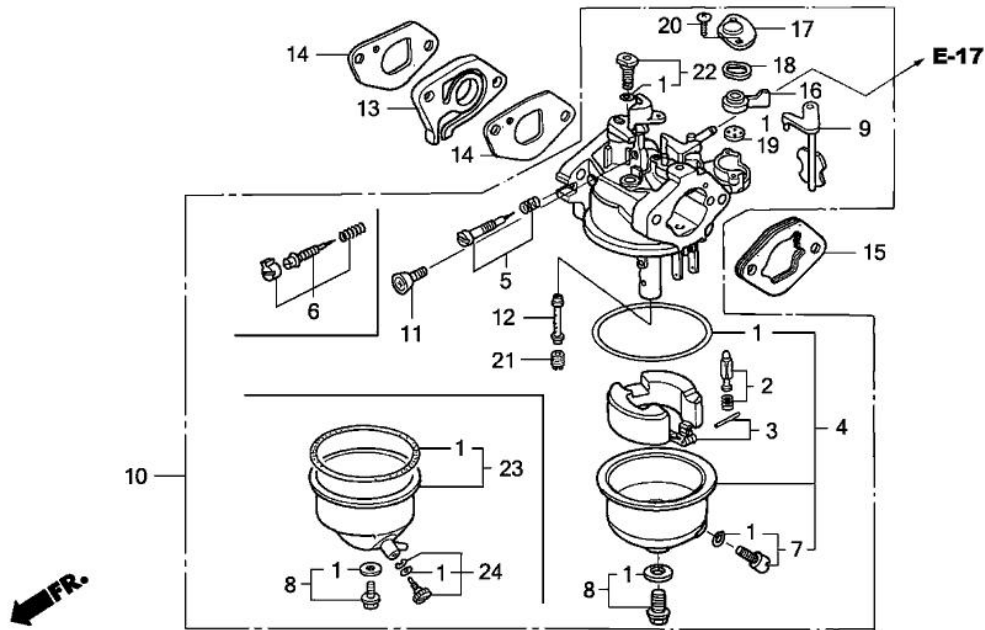
| Ref. | Part Number   | Part Description           | Qty. |
|------|---------------|----------------------------|------|
| 001  | 14100-ZE6-W00 | CAMSHAFT ASSY.             | 001  |
| 002  | 14410-ZE0-010 | ROD, PUSH                  | 002  |
| 003  | 14431-ZE1-000 | ARM, VALVE ROCKER          | 002  |
| 004  | 14441-ZE1-000 | LIFTER, VALVE              | 002  |
| 004  | 14441-ZE1-010 | LIFTER, VALVE              | 002  |
| 005  | 14451-ZE1-013 | PIVOT, ROCKER ARM          | 002  |
| 005  | 14451-Z4M-000 | PIVOT, ROCKER ARM          | 002  |
| 006  | 14568-ZE1-000 | SPRING, WEIGHT RETURN      | 001  |
| 007  | 14711-ZE0-010 | VALVE, IN.                 | 001  |
| 008  | 14721-ZE6-010 | VALVE, EX.                 | 001  |
| 009  | 14751-ZE1-000 | SPRING, VALVE              | 002  |
| 010  | 14771-ZE1-000 | RETAINER, IN. VALVE SPRING | 001  |
| 011  | 14771-ZE1-000 | RETAINER, IN. VALVE SPRING | 001  |
| 013  | 14791-ZE0-010 | PLATE, PUSH ROD GUIDE      | 001  |
| 014  | 90012-ZE0-010 | BOLT, PIVOT (8MM)          | 002  |
| 015  | 90206-ZE1-000 | NUT, PIVOT ADJUSTING       | 002  |
| 016  | 12209-ZE6-003 | SEAL, VALVE STEM           | 001  |



| Ref. | Part Number     | Part Description                        | Qty. |
|------|-----------------|---|------|
| 001  | 28400-ZE6-003ZD | STARTER ASSY., RECOIL *R280*(POWER RED) | 001  |
| 002  | 28410-ZE6-003ZA | CASE, RECOIL STARTER *R8*(BRIGHT RED)   | 001  |
| 002  | 28410-ZE6-003ZE | CASE, RECOIL STARTER *R280*(POWER RED)  | 001  |
| 003  | 28420-ZE6-003   | PULLEY, RECOIL STARTER                  | 001  |
| 004  | 28422-896-010   | RATCHET, STARTER                        | 001  |
| 005  | 28431-896-000   | PLATE, FRICTION                         | 001  |
| 006  | 28441-896-000   | SPRING, FRICTION                        | 001  |
| 007  | 28442-ZE6-003   | SPRING, RECOIL STARTER                  | 001  |
| 008  | 28443-896-000   | SPRING, RETURN                          | 001  |
| 009  | 28461-ZE1-013   | KNOB, RECOIL STARTER                    | 001  |
| 011  | 28462-ZA7-003   | ROPE, RECOIL STARTER                    | 001  |
| 011  | 28462-ZE6-T02   | ROPE, LONG (55")                        | 001  |
| 012  | 95701-06008-00  | BOLT, FLANGE (6X8)                      | 003  |
| 013  | 92101-06012-0H  | BOLT, HEX. (6X12)                       | 001  |



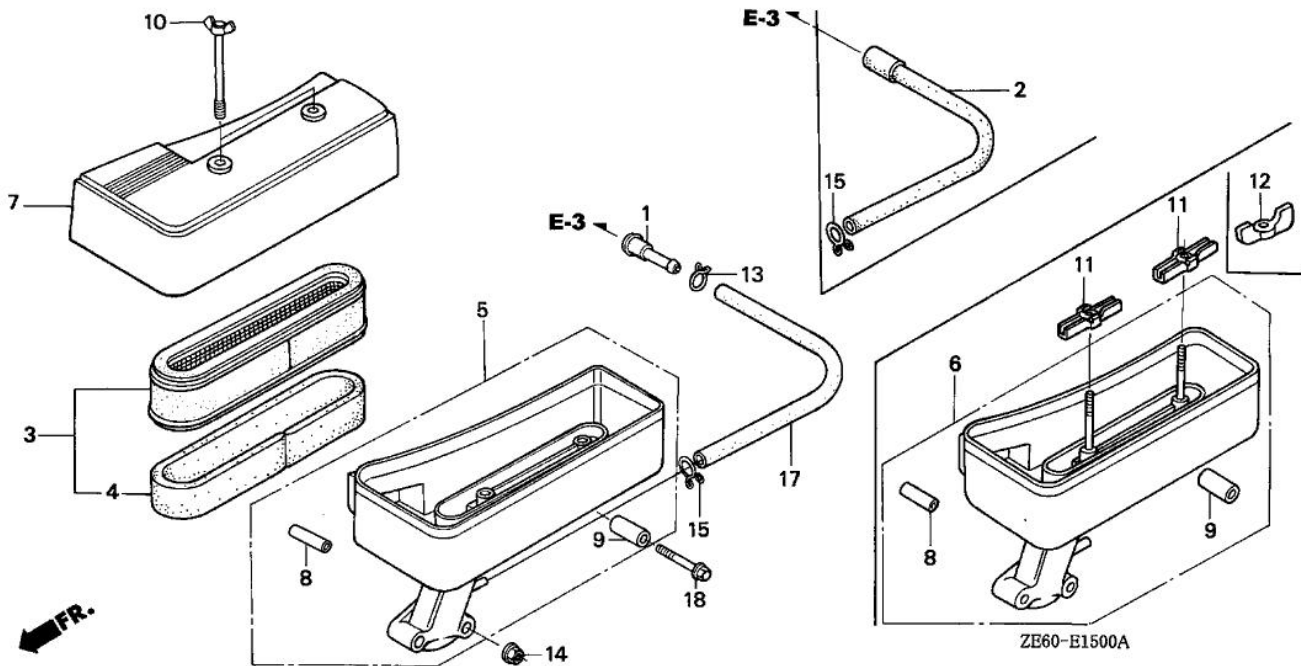
| Ref. | Part Number     | Part Description             | Qty. |
|------|-----------------|------------------------------|------|
| 001  | 19610-ZE6-020ZE | COVER, FAN *R280*(POWER RED) | 001  |
| 002  | 30500-ZE7-063   | COIL ASSY., IGNITION         | 001  |
| 003  | 30505-ZE6-000   | GROMMET, IGNITION WIRE       | 001  |
| 005  | 30700-ZE6-023   | CAP ASSY., NOISE SUPPRESSOR  | 001  |
| 010  | 90121-952-000   | BOLT, FLANGE (6X25) (CT200)  | 002  |
| 011  | 95701-06010-00  | BOLT, FLANGE (6X10)          | 001  |
| 012  | 90013-883-000   | BOLT, FLANGE (6X12) (CT200)  | 001  |



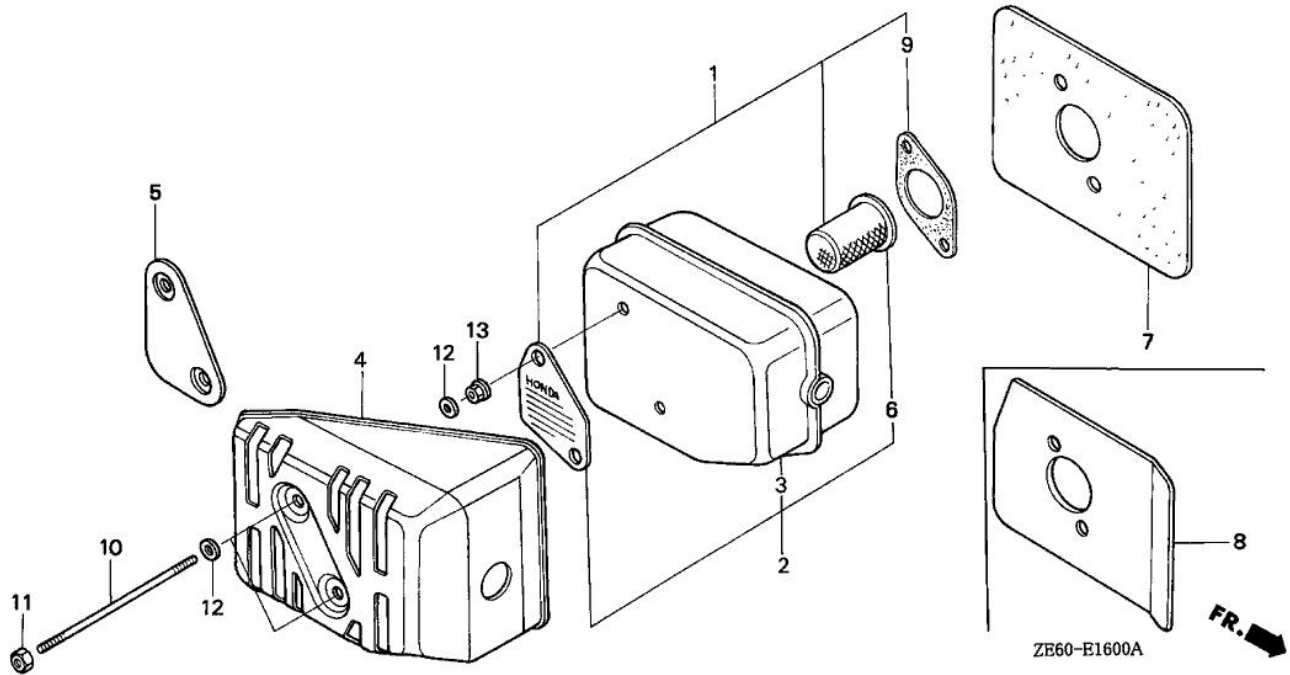
ZE60E1400B

| Ref. | Part Number    | Part Description                       | Qty. |
|------|----------------|--|------|
| 001  | 16010-ZE0-025  | GASKET SET (CARBURETOR NO.)            | 001  |
| 002  | 16011-ZE0-005  | VALVE SET, FLOAT (SEAT NOT INCLUDED)   | 001  |
| 003  | 16013-ZE0-005  | FLOAT SET                              | 001  |
| 004  | 16015-ZE0-831  | CHAMBER SET, FLOAT (CARBURETOR NO.)    | 001  |
| 004  | 16015-ZE1-811  | CHAMBER SET, FLOAT (CARBURETOR NO.)    | 001  |
| 006  | 16016-ZH7-W01  | SCREW SET, PILOT (CARBURETOR NO.)      | 001  |
| 007  | 16024-ZE1-811  | SCREW SET, DRAIN (CARBURETOR NO.)      | 001  |
| 008  | 16028-ZE0-005  | SCREW SET                              | 001  |
| 008  | 16028-ZK7-S91  | SCREW SET                              | 001  |
| 009  | 16045-ZE6-005  | CHOKE SET                              | 001  |
| 010  | 16100-ZE6-W01  | CARBURETOR ASSY. (BE56A B)             | 001  |
| 011  | 16124-ZE0-005  | SCREW, THROTTLE STOP                   | 001  |
| 012  | 16166-ZE6-W00  | NOZZLE, MAIN (CARBURETOR NO.)          | 001  |
| 013  | 16211-ZE6-000  | INSULATOR, CARBURETOR                  | 001  |
| 014  | 16212-ZG9-J60  | GASKET, INSULATOR                      | 002  |
| 015  | 16220-ZE6-010  | SPACER, CARBURETOR                     | 001  |
| 016  | 16953-ZE6-015  | LEVER, PETCOCK (CARBURETOR NO.)        | 001  |
| 016  | 16953-ZE6-015  | LEVER, PETCOCK (CARBURETOR NO.)        | 001  |
| 017  | 16954-ZE1-812  | PLATE, LEVER SETTING (CARBURETOR NO.)  | 001  |
| 018  | 16956-ZE1-811  | SPRING, PETCOCK LEVER (CARBURETOR NO.) | 001  |
| 019  | 16957-ZE1-812  | GASKET, PETCOCK (CARBURETOR NO.)       | 001  |
| 020  | 93500-03006-0H | SCREW, PAN (3X6)                       | 002  |
| 020  | 93500-03008-1G | SCREW, PAN (3X8) (CARBURETOR NO.)      | 002  |
| 021  | 99101-ZH8-0520 | JET, MAIN (#52) (CARBURETOR NO.)       | (1)  |
| 021  | 99101-ZH8-0550 | JET, MAIN (#55) (CARBURETOR NO.)       | (1)  |
| 021  | 99101-ZK7-0580 | JET, MAIN (#58)                        | 001  |
| 022  | 99204-ZE2-0380 | JET SET, PILOT (#38) (CARBURETOR NO.)  | 001  |

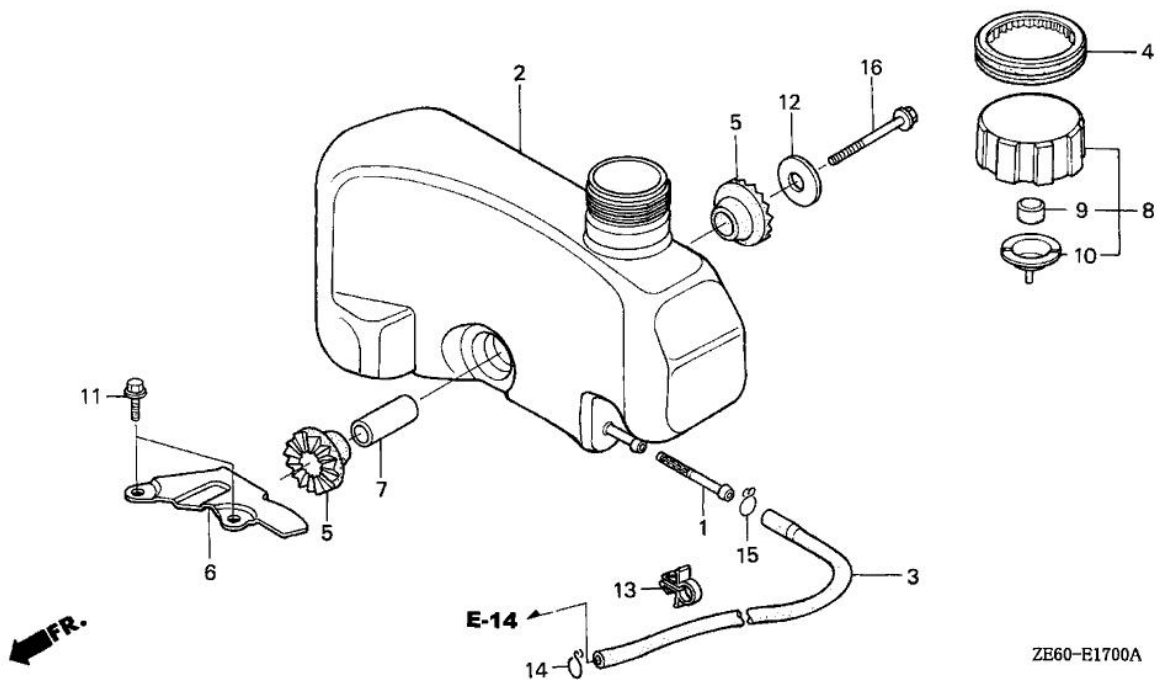




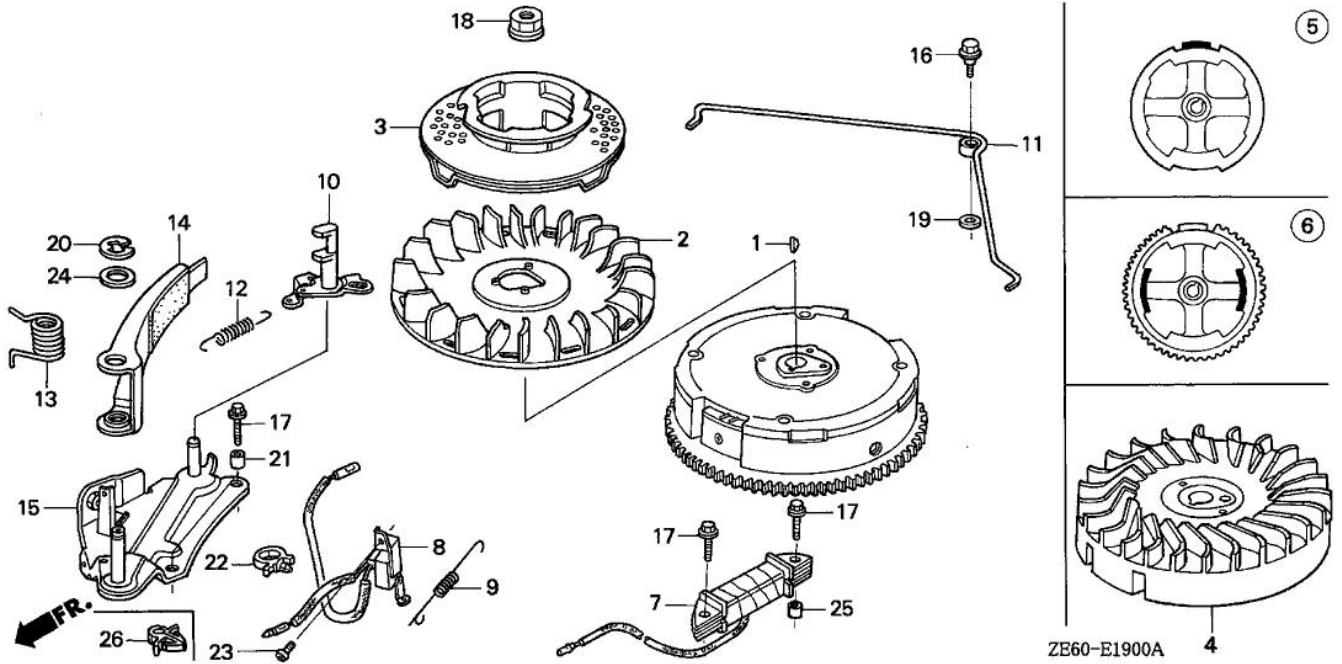
| Ref. | Part Number    | Part Description       | Qty. |
|------|----------------|------------------------|------|
| 002  | 15721-ZE6-010  | TUBE, BREATHER (180MM) | 001  |
| 003  | 17210-ZE6-003  | ELEMENT, AIR CLEANER   | 001  |
| 003  | 17210-ZE6-505  | ELEMENT, AIR CLEANER   | 001  |
| 006  | 17220-ZE6-020  | HOUSING, AIR CLEANER   | 001  |
| 007  | 17231-ZE6-000  | COVER, AIR CLEANER     | 001  |
| 008  | 17238-ZE7-010  | COLLAR, AIR CLEANER    | 002  |
| 009  | 17239-ZE6-300  | COLLAR B, AIR CLEANER  | 001  |
| 012  | 90325-044-000  | NUT, TOOL BOX SETTING  | 002  |
| 014  | 94050-06000    | NUT, FLANGE (6MM)      | 002  |
| 018  | 95701-06035-00 | BOLT, FLANGE (6X35)    | 001  |



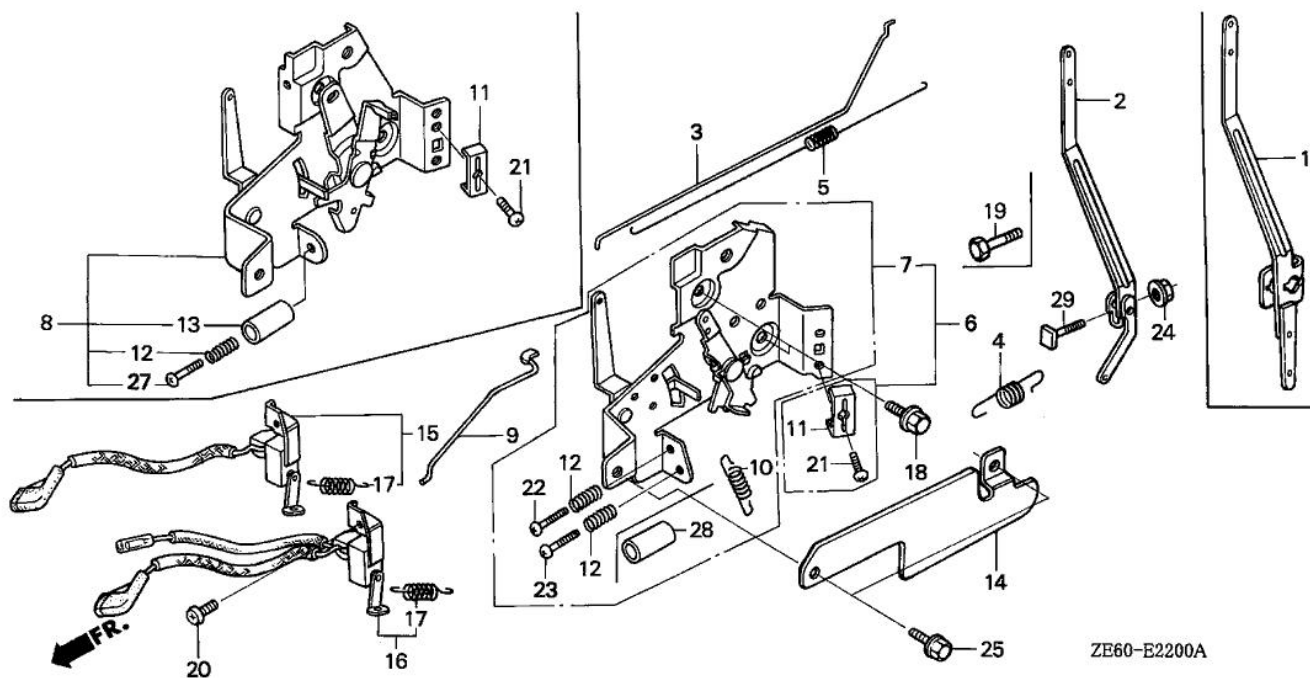
| Ref. | Part Number   | Part Description     | Qty. |
|------|---------------|----------------------|------|
| 001  | 06180-ZE6-820 | ARRESTER KIT, SPARK  | (1)  |
| 003  | 18310-ZE6-003 | MUFFLER              | 001  |
| 004  | 18320-ZE6-020 | PROTECTOR, MUFFLER   | 001  |
| 006  | 06180-888-505 | ARRESTER KIT, SPARK  | (1)  |
| 006  | 06180-888-505 | ARRESTER KIT, SPARK  | 001  |
| 008  | 18381-ZE6-800 | GASKET, MUFFLER      | 001  |
| 009  | 18381-ZE6-820 | GASKET, MUFFLER      | (1)  |
| 009  | 18381-ZE6-820 | GASKET, MUFFLER      | 001  |
| 010  | 90048-ZC3-000 | BOLT, STUD (6X85)    | 002  |
| 011  | 90343-ZE6-000 | NUT, SELF-LOCK (6MM) | 002  |



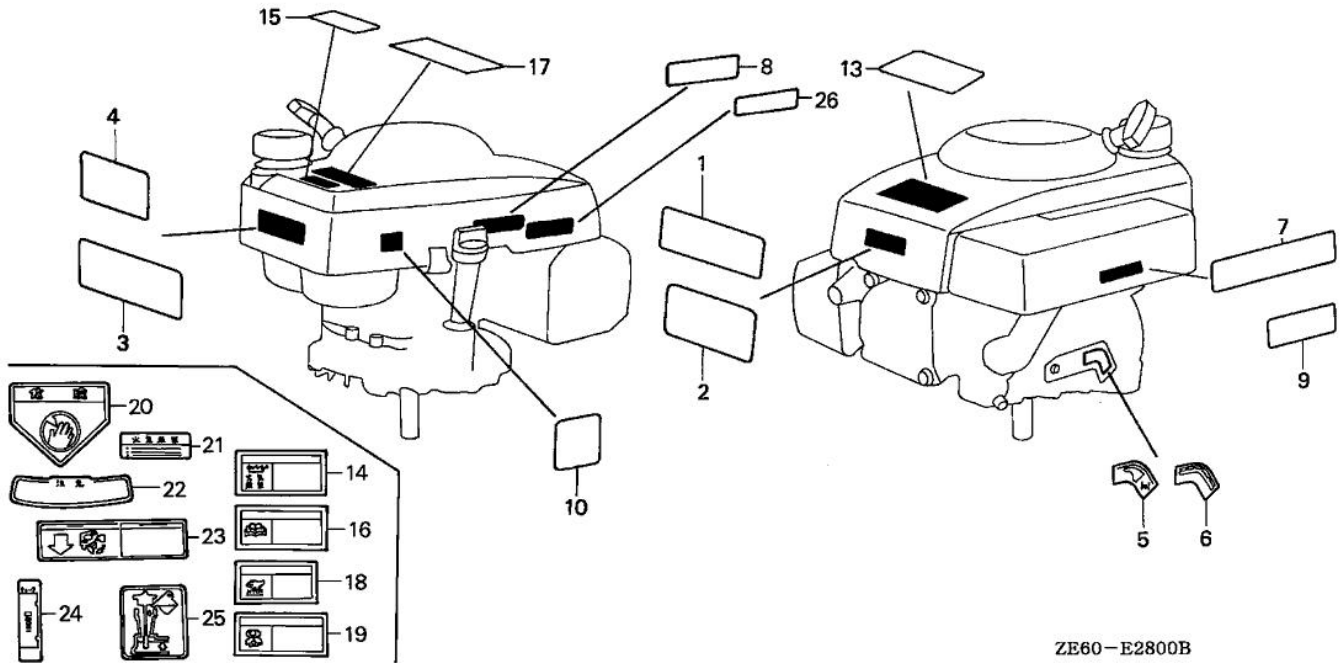
| Ref. | Part Number    | Part Description            | Qty. |
|------|----------------|-----------------------------|------|
| 001  | 16952-ZE6-000  | FILTER, FUEL                | 001  |
| 002  | 17510-ZE6-000  | TANK, FUEL                  | 001  |
| 003  | 17512-ZE6-000  | TUBE, FUEL                  | 001  |
| 004  | 17515-ZE6-000  | RUBBER, TANK MOUNTING       | 001  |
| 005  | 17516-896-700  | RUBBER B, TANK MOUNTING     | 002  |
| 006  | 17517-ZE6-000  | STAY, TANK                  | 001  |
| 007  | 17518-ZE6-000  | COLLAR, TANK SETTING        | 001  |
| 008  | 17620-ZG9-000  | CAP ASSY., FUEL TANK        | 001  |
| 009  | 17622-888-010  | SPONGE, FUEL CAP BREATHER   | 001  |
| 010  | 17624-ZE7-000  | GASKET, FUEL CAP            | 001  |
| 011  | 90014-952-000  | BOLT, FLANGE (6X14) (CT200) | 002  |
| 012  | 90455-896-700  | WASHER, TANK MOUNTING       | 001  |
| 013  | 90682-959-661  | CLIP B, CABLE (9MM BLACK)   | 001  |
| 014  | 95002-02080    | CLIP, TUBE (B8)             | 001  |
| 015  | 95002-70000    | CLIP, TUBE (C11)            | 001  |
| 016  | 95701-08050-00 | BOLT, FLANGE (8X50)         | 001  |



| Ref. | Part Number   | Part Description              | Qty. |
|------|---------------|-------------------------------|------|
| 001  | 13331-357-000 | KEY, SPECIAL WOODRUFF (25X18) | 001  |
| 002  | 19511-ZE6-000 | FAN, COOLING                  | 001  |
| 003  | 28451-ZE6-003 | PULLEY, STARTER               | 001  |
| 005  | 31100-ZE6-661 | FLYWHEEL                      | 001  |
| 005  | 31100-ZE6-662 | FLYWHEEL                      | 001  |
| 018  | 90201-878-003 | NUT, SPECIAL (14MM)           | 001  |

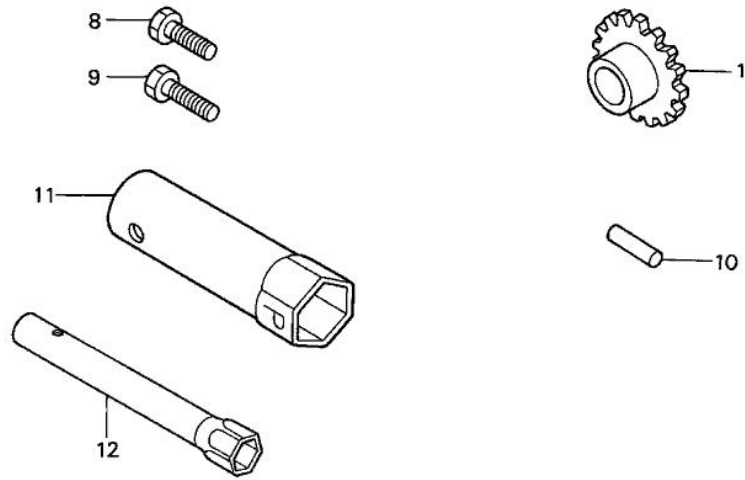


| Ref. | Part Number    | Part Description            | Qty. |
|------|----------------|-----------------------------|------|
| 002  | 16551-ZE6-000  | ARM, GOVERNOR               | 001  |
| 003  | 16555-ZE6-000  | ROD, GOVERNOR               | 001  |
| 004  | 16561-ZE6-640  | SPRING, GOVERNOR            | 001  |
| 005  | 16562-ZE6-000  | SPRING, THROTTLE RETURN     | 001  |
| 008  | 16570-ZE6-640  | CONTROL                     | 001  |
| 009  | 16573-ZE6-010  | ROD, CHOKE                  | 001  |
| 011  | 16576-891-000  | HOLDER, CABLE               | 001  |
| 012  | 16584-883-300  | SPRING, CONTROL ADJUSTING   | 001  |
| 014  | 17100-ZE6-000  | PROTECTOR, CONTROL          | 001  |
| 016  | 36100-ZE6-641  | SWITCH ASSY., ENGINE STOP   | 001  |
| 017  | 36120-ZE6-010  | SPRING, SWITCH CONTROL      | 001  |
| 018  | 90014-952-000  | BOLT, FLANGE (6X14) (CT200) | 002  |
| 020  | 93500-04008-0A | SCREW, PAN (4X8)            | 001  |
| 021  | 93500-05016-0A | SCREW, PAN (5X16)           | 001  |
| 024  | 94050-06000    | NUT, FLANGE (6MM)           | 001  |
| 025  | 95701-06010-00 | BOLT, FLANGE (6X10)         | 002  |
| 027  | 93500-05020-0A | SCREW, PAN (5X20)           | 001  |
| 029  | 90015-ZE5-010  | BOLT, GOVERNOR ARM          | 001  |



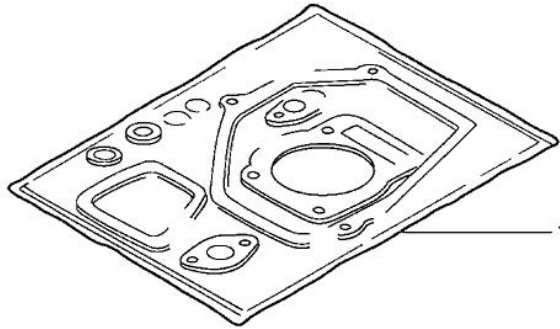
ZE60-E2800B

| Ref. | Part Number   | Part Description          | Qty. |
|------|---------------|---------------------------|------|
| 002  | 87101-ZE6-010 | MARK, TOP COVER           | 001  |
| 003  | 87105-ZE6-010 | MARK, CAUTION             | 001  |
| 006  | 87523-ZE6-000 | MARK, CONTROL             | 001  |
| 007  | 87524-ZE6-000 | MARK, AIR CLEANER CAUTION | 001  |
| 015  | 87586-ZH7-W00 | LABEL, FUEL CAUTION       | 001  |



ZB60-E4000A

| Ref. | Part Number | Part Description  | Qty. |
|------|-------------|-------------------|------|
| 012  | 99004-21002 | WRENCH, BOX (P21) | 001  |



HENG-X0003

| Ref. | Part Number   | Part Description | Qty. |
|------|---------------|------------------|------|
| 001  | 061B1-ZE6-710 | GASKET KIT       | 001  |