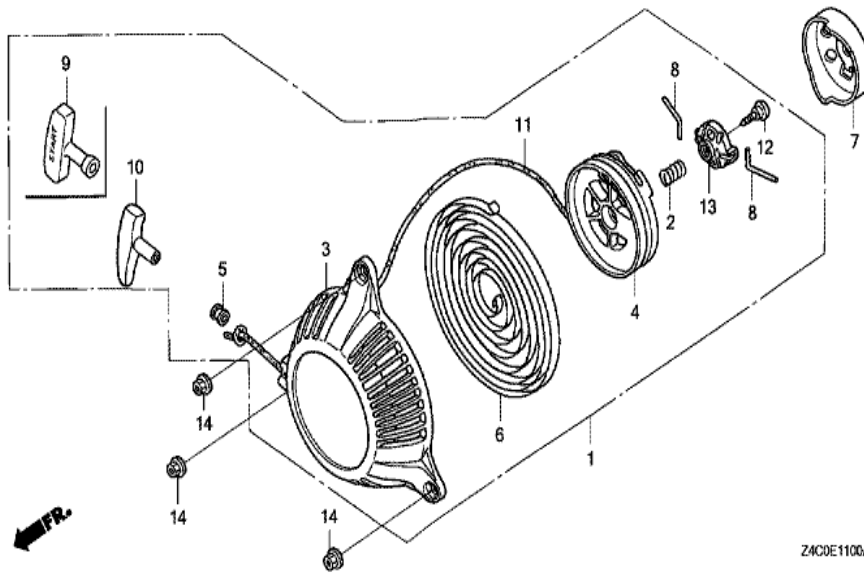


GXH50U(QEUBU)

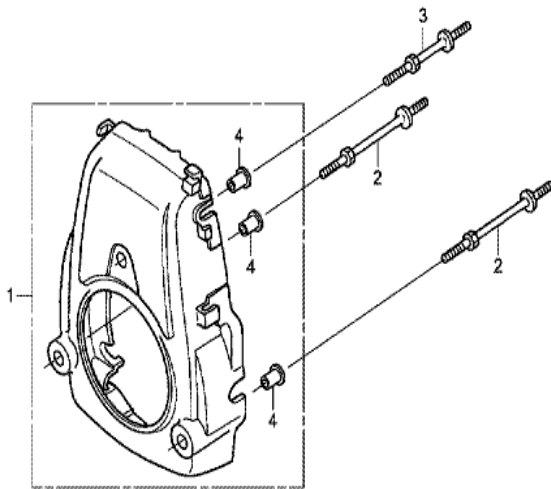
E-11 RECOIL STARTER



Z4CDE1100A

Ref	Partnumber	Description	GXH50U	Serial Numbers
001	28400-ZM7-V32	STARTER ASSY., RECOIL	1	1096349
001	28400-ZM7-V32	STARTER ASSY., RECOIL	1	
002	28404-968-004	SPRING, FRICTION	1	
003	28410-ZM7-V31	CASE COMP., STARTER	1	
004	28421-ZM7-003	REEL, RECOIL STARTER	1	
006	28442-ZL8-003	SPRING, RECOIL STARTER	1	
007	28451-ZM7-003	PULLEY, RECOIL STARTER	1	
008	28459-ZM7-003	ARM, SWING	2	
009	28461-ZH8-013	KNOB, RECOIL STARTER	1	
011	28462-ZOG-003	ROPE, RECOIL STARTER	1	
012	90012-ZM3-003	SCREW, SETTING	1	
013	91504-ZM7-003	COLLAR	1	
014	94050-05000	NUT, FLANGE, 5MM	3	

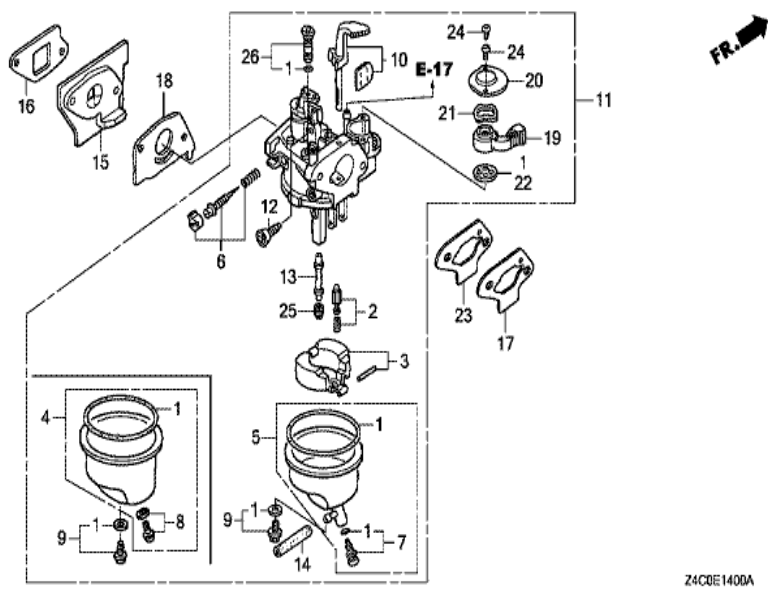
GXH50U(QEUBU)	E-12 FAN COVER
---------------	----------------



Z4C0E1200A

Ref	Partnumber	Description	GXH50U	Serial Numbers
001	19610-ZM7-000ZC	COVER COMP., FAN *R280 *	1	
002	90042-ZM7-000	BOLT A, STUD	2	
003	90043-ZM7-000	BOLT B, STUD	1	
004	19619-ZM7-300	COLLAR, FAN COVER	3	

GXH50U(QEUBU)	E-14 CARBURETOR (1)
---------------	---------------------



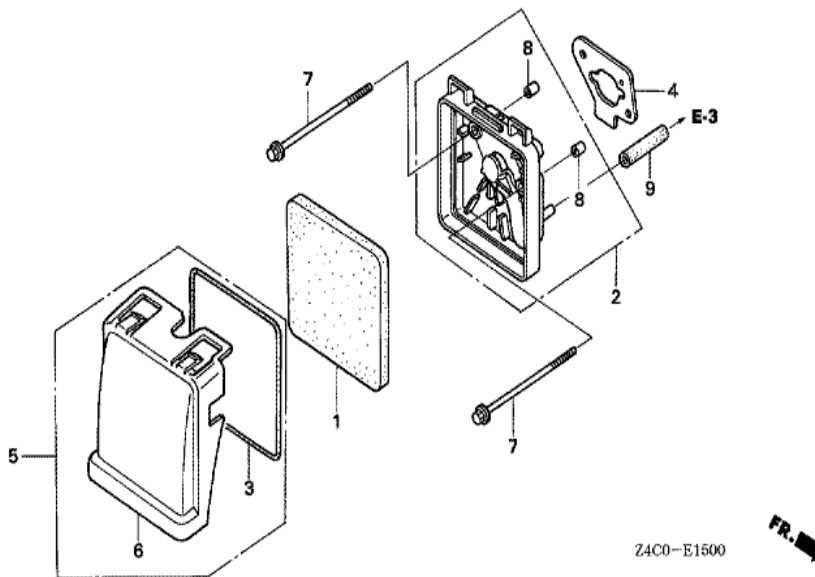
Z4C0E1400A

Ref	Partnumber	Description	GXH50U	Serial Numbers
001	16010-ZM7-003	GASKET SET	1	
001	16010-ZM7-003	GASKET SET	1	
002	16011-ZE0-005	VALVE SET, FLOAT	1	
003	16013-ZG0-811	FLOAT SET	1	
005	16015-ZM7-003	CHAMBER SET, FLOAT	1	
006	16016-ZH7-W01	SCREW SET, PILOT	1	
007	16024-ZB9-005	SCREW SET, DRAIN	1	
009	16028-ZG0-811	SCREW SET	1	
010	16044-ZM7-003	CHOKE SET	1	
011	16100-ZM7-V31	CARBURETOR ASSY. (BF32G A)	1	
011	16100-ZM7-V31	CARBURETOR ASSY. (BF32G A)	1	
011	16100-ZM7-V31	CARBURETOR ASSY. (BF32G A)	1	1126455
011	16100-ZM7-V32	CARBURETOR ASSY. (BF32G A)	1	1126456

<u>Ref</u>	<u>Partnumber</u>	<u>Description</u>	<u>GXH50U</u>	<u>Serial Numbers</u>
012	16124-ZE0-005	SCREW, THROTTLE STOP	1	
013	16166-ZM7-003	NOZZLE, MAIN	1	
014	95003-0501031	TUBE, VINYL, 3.5X6.5X100 (95003-05001-60	1	
014	95003-0501031	TUBE, VINYL, 3.5X6.5X100 (95003-05001-60	1	
015	16211-ZM7-000	INSULATOR, CARBURETOR	1	
016	16212-ZM7-000	PACKING, INSULATOR	1	
017	16220-ZM7-V30	SPACER, CARBURETOR	1	
018	16221-ZG0-801	PACKING, CARBURETOR	1	
019	16953-ZG0-812	LEVER, COCK	1	
020	16954-ZE1-812	PLATE, LEVER SETTING	1	
021	16956-ZE1-811	SPRING, COCK LEVER	1	
022	16957-ZE1-812	PACKING, FUEL COCK	1	
023	17228-ZM7-000	PACKING, AIR CLEANER	1	
024	93500-030061H	SCREW, PAN, 3X6	2	
025	99101-ZG00480	JET, MAIN, #48	(1)	
025	99101-ZG00500	JET, MAIN, #50	(1)	
025	99101-ZG00500	JET, MAIN, #50	(1)	
025	99101-ZG00520	JET, MAIN, #52	1	
025	99101-ZG00520	JET, MAIN, #52	1	
026	99204-ZE20350	JET SET, PILOT, #35	1	

GXH50U(QEUBU)

E-15 AIR CLEANER

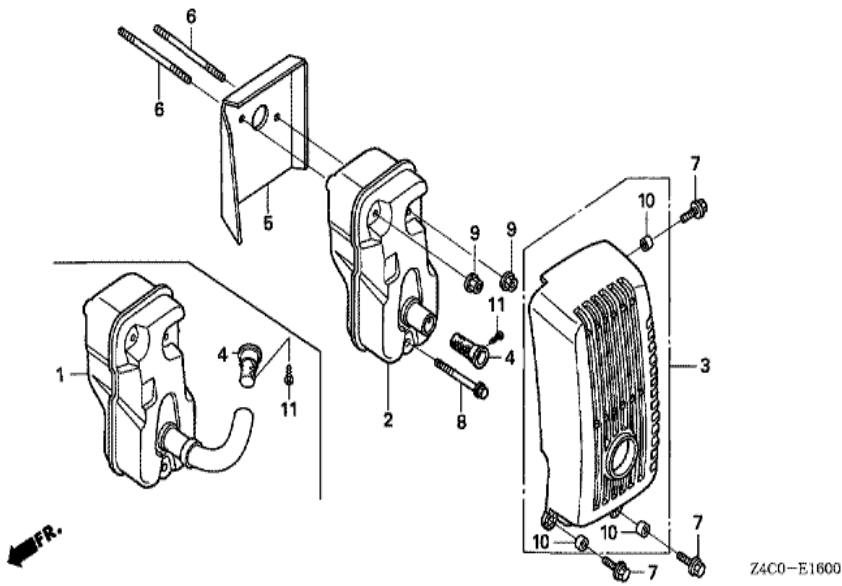


Z4C0-E1500



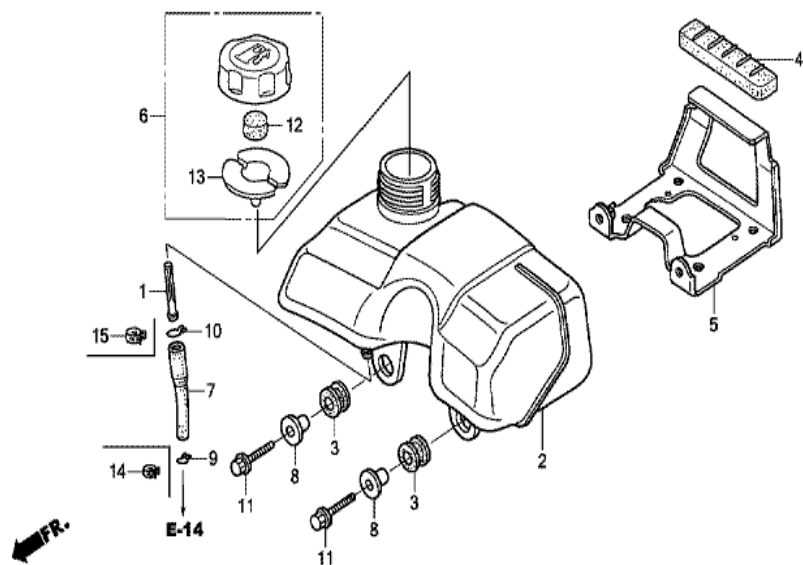
<u>Ref</u>	<u>Partnumber</u>	<u>Description</u>	<u>GXH50U</u>	<u>Serial Numbers</u>
001	17211-ZM7-000	ELEMENT, AIR CLEANER	1	
002	17220-ZM7-000	CASE COMP., AIR CLEANER	1	
003	17227-ZM7-000	SEAL, AIR CLEANER	1	
004	17228-Z0G-000	PACKING, AIR CLEANER	1	
005	17230-ZM7-010	COVER COMP., AIR CLEANER	1	
006	17231-ZM7-010	COVER, AIR CLEANER	1	
007	90004-ZM7-V30	BOLT, FLANGE, 5X80	2	
007	90004-ZM7-V30	BOLT, FLANGE, 5X80	2	
008	91503-ZM7-000	COLLAR, AIR CLEANER	2	
009	95005-7007530	TUBE, 7X75 (95005-70001-30M)	1	

GXH50U(QEUB)	E-16 MUFFLER
--------------	--------------



<u>Ref</u>	<u>Partnumber</u>	<u>Description</u>	<u>GXH50U</u>	<u>Serial Numbers</u>
001	18310-ZM7-V31	MUFFLER COMP.	1	
001	18310-ZM7-V41	MUFFLER COMP.	(1)	
001	18310-ZM7-V41	MUFFLER COMP.	(1)	
003	18320-ZM7-000	PROTECTOR COMP., MUFFLER	1	
004	18350-ZM7-801	ARRESTER COMP., SPARK	1	
004	18350-ZM7-801	ARRESTER COMP., SPARK	(1)	
005	18515-ZM7-000	GUIDE, AIR	1	
006	90002-ZM7-000	BOLT, STUD, 5X55	2	
007	90012-892-000	BOLT, FLANGE, 5X16	3	
008	90103-P4V-010	BOLT, FLANGE, 5X35	1	
009	90136-SM4-901	NUT, SELF-LOCK, 5MM	2	
010	91502-ZM3-000	COLLAR, TOP COVER	3	
011	93903-24110	SCREW, TAPPING, 4X8	1	
<u>Ref</u>	<u>Partnumber</u>	<u>Description</u>	<u>GXH50U</u>	<u>Serial Numbers</u>
011	93903-24110	SCREW, TAPPING, 4X8	(1)	

GXH50U(QEUBU)	E-17 FUEL TANK
---------------	----------------

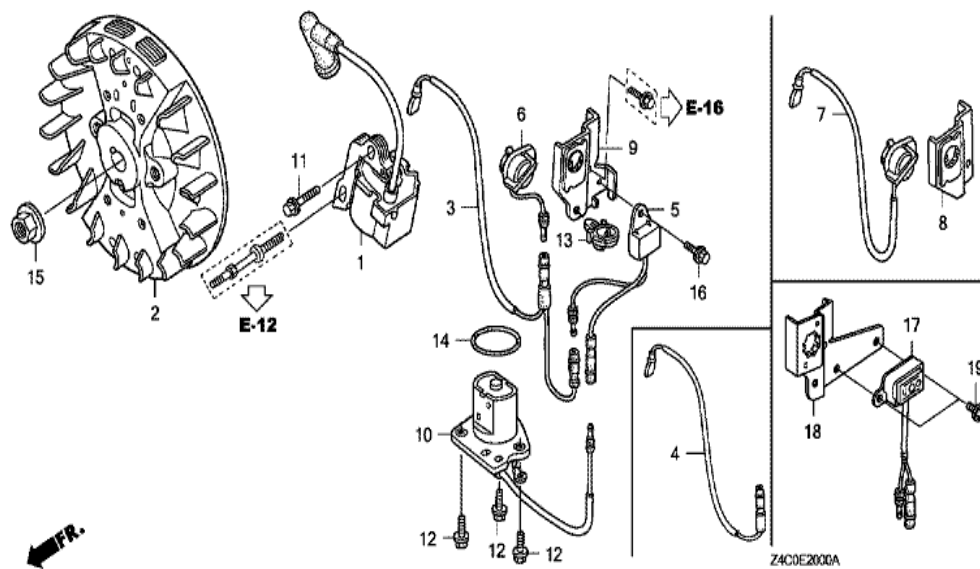


Z4C0E1700B

Ref	Partnumber	Description	GXH50U	Serial Numbers
001	16952-ZE6-000	STRAINER, FUEL	1	
002	17511-Z4C-810	TANK, FUEL	1	
002	17511-Z4C-810	TANK, FUEL	1	
003	17532-ZM7-000	RUBBER A, TANK MOUNTING	2	
004	17533-ZM7-000	RUBBER B, TANK MOUNTING	1	
005	17560-ZM7-000	STAY COMP., FUEL TANK	1	
006	17620-ZL8-023	CAP ASSY., FUEL TANK	1	
007	17701-Z4C-003	TUBE A, FUEL (FKM)	1	1125354
007	17701-ZM7-000	TUBE A, FUEL	1	
007	17701-ZM7-000	TUBE A, FUEL	1	1125353
008	19052-MB4-880	COLLAR, CANISTER MOUNTING	2	
009	95002-02080	CLIP, TUBE (B8)	1	1125353
010	95002-02100	CLIP, TUBE (B10)	1	1125353
Ref	Partnumber	Description	GXH50U	Serial Numbers
011	95701-0602007	BOLT, FLANGE, 6X20	2	
012	17622-ZL8-003	SPONGE, FUEL CAP BREATHER	1	
013	17624-ZL8-013	PACKING, FUEL CAP	1	
014	95002-4080008	CLAMP, TUBE (D8)	1	1125354
015	95002-4105008	CLAMP, TUBE (D10.5)	1	
015	95002-4105008	CLAMP, TUBE (D10.5)	1	1125354

GXH50U(QEUBU)

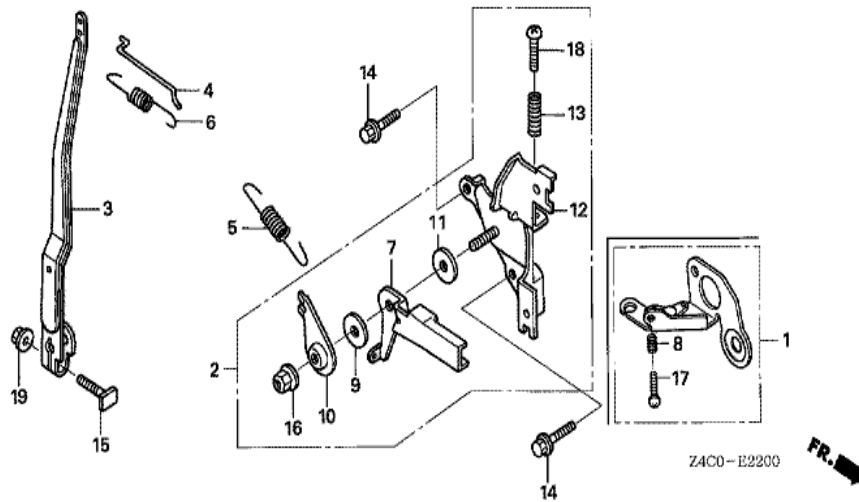
E-20 FLYWHEEL/IGNITION COIL



Ref	Partnumber	Description	GXH50U	Serial Numbers
001	30500-ZM7-014	COIL ASSY., IGNITION	1	
002	31110-ZM7-004	FLYWHEEL COMP.	1	
007	35120-Z4C-003	SWITCH ASSY., ENGINE STOP	1	
008	35124-ZM7-V30	BRACKET COMP., STOP SWITCH	1	
008	35124-ZM7-V30	BRACKET COMP., STOP SWITCH	1	
011	90004-ZC3-000	BOLT, FLANGE, 5X20	1	
015	94050-10000	NUT, FLANGE, 10MM	1	

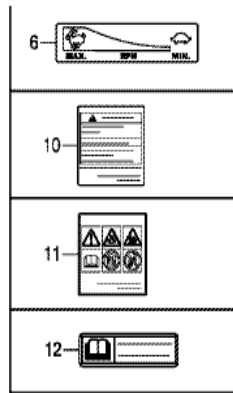
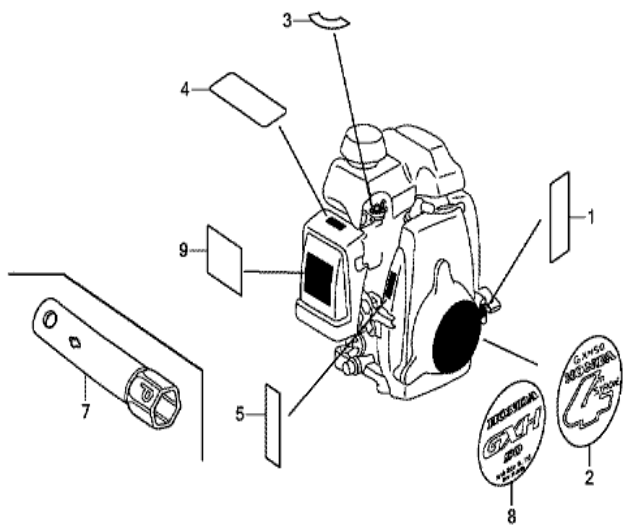
GXH50U(QEUBU)

E-22 CONTROL (1)



Ref	Partnumber	Description	GXH50U	Serial Numbers
001	16500-ZM7-D10	CONTROL ASSY.	1	
003	16551-ZM7-000	ARM, GOVERNOR	1	
004	16555-ZM7-000	ROD, GOVERNOR	1	
005	16561-ZM7-D10	SPRING, GOVERNOR	1	
005	16561-ZM7-D10	SPRING, GOVERNOR	1	
006	16562-ZM7-000	SPRING, THROTTLE RETURN	1	
008	16571-836-000	SPRING, CONTROL ADJUSTING	1	
014	90003-892-000	BOLT, FLANGE, 5X12	2	
015	90015-ZE5-010	BOLT, GOVERNOR ARM	1	
017	93500-040180H	SCREW, PAN, 4X18	1	
019	94050-06000	NUT, FLANGE, 6MM	1	

GXH50U(QEUB)	E-28 LABEL/TOOL
--------------	-----------------

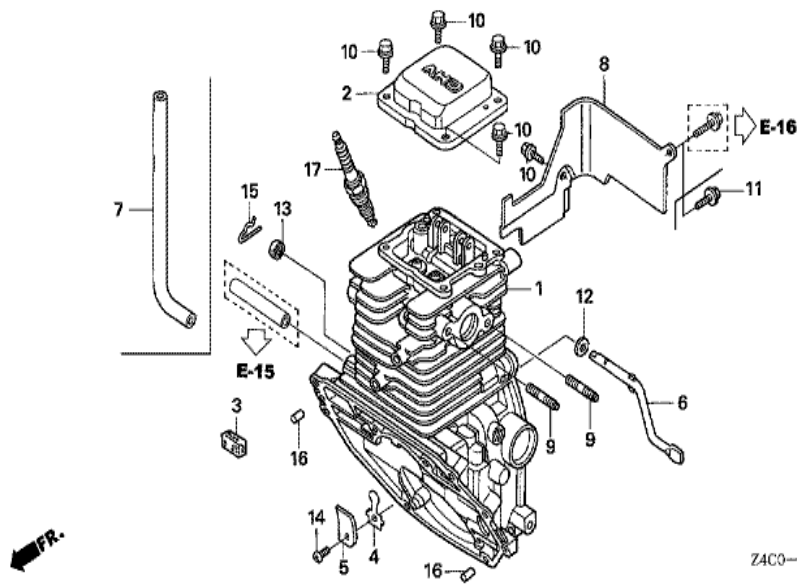


Z4CDE2800D

Ref	Partnumber	Description	GXH50U	Serial Numbers
001	87501-ZM7-V40	MARK, ENGINE SWITCH INDICATION	1	
003	87528-ZG0-W40	MARK, COCK (EXTERNAL)	1	
004	87528-Z0D-000	MARK, CHOKE INDICATION	1	
007	89216-130-690	WRENCH, SPARK PLUG	1	
007	89216-130-690	WRENCH, SPARK PLUG	(1)	
008	87521-ZM7-020	EMBLEM (GXH50)	1	
009	87516-Z4C-000	MARK, OPERATOR CAUTION (ENGLISH)	1	
010	87516-Z4C-800	MARK, OPERATOR CAUTION (FRENCH)	1	1092753
010	87516-Z4C-800	MARK, OPERATOR CAUTION (FRENCH)	1	
011	87519-Z4C-000	MARK, OPERATOR CAUTION (PICTOGRAPH)	1	

GXH50U(QEUB)

E-3 CYLINDER BARREL

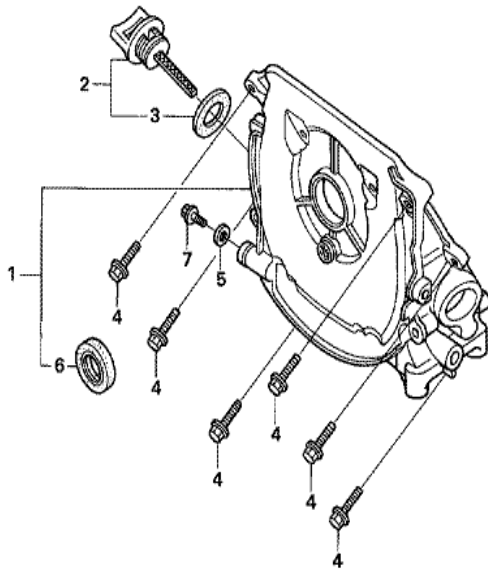


Z4C3-E0300

Ref	Partnumber	Description	GXH50U	Serial Numbers
001	12100-ZM7-417	BARREL COMP., CYLINDER	1	
001	12100-ZM7-417	BARREL COMP., CYLINDER	1	
001	12100-ZM7-417	BARREL COMP., CYLINDER	1	
002	12311-ZM7-010	COVER, HEAD	1	
003	12367-ZE6-010	FILTER, BREATHER	1	
004	15571-ZM7-003	VALVE, OIL OUTLET	1	
005	15572-ZM7-000	PLATE, STOPPER	1	
006	16541-ZM7-000	SHAFT, GOVERNOR ARM	1	
008	19631-ZM7-000	SHROUD	1	
008	19631-ZM7-000	SHROUD	1	
010	90003-892-000	BOLT, FLANGE, 5X12	5	
012	90443-ZC3-000	WASHER, 5.2X9	1	
013	91231-ZC3-003	OIL SEAL, 5X11X5	1	
Ref	Partnumber	Description	GXH50U	Serial Numbers
014	93500-030050A	SCREW, PAN, 3X5	1	
015	94251-06000	PIN, LOCK, 6MM	1	
016	91101-Z0G-003	ROLLER, 6X14.8	2	
016	96220-60150	ROLLER, 6X15	2	
017	98056-54757	PLUG, SPARK (U14FSR-UB)	(1)	
017	98056-54757	PLUG, SPARK (U14FSR-UB)	1	
017	98056-54777	PLUG, SPARK (CR4HSB)	(1)	
017	98056-54777	PLUG, SPARK (CR4HSB)	1	
017	98056-54777	PLUG, SPARK (CR4HSB)	(1)	

GXH50U(QEUBU)

E-3-10 OIL CASE

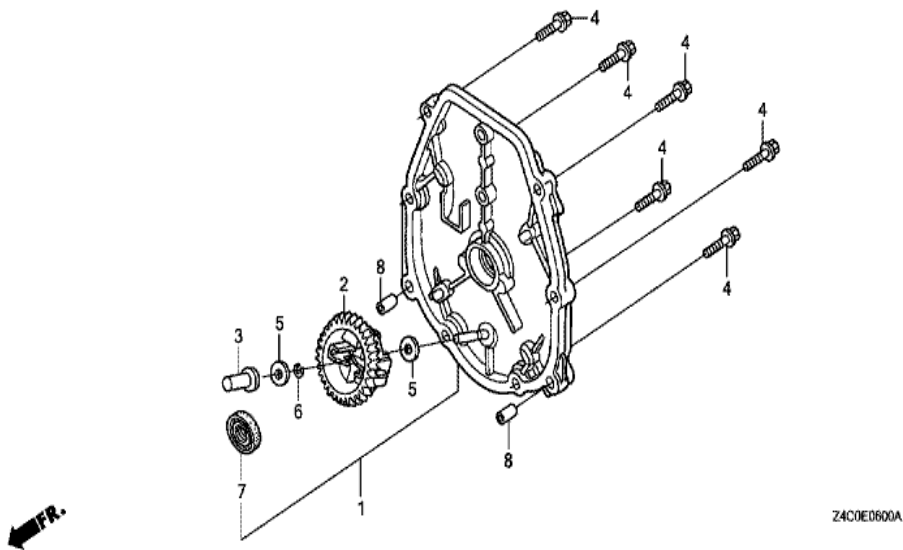


Z4C0-E0310

Ref	Partnumber	Description	GXH50U	Serial Numbers
001	11300-ZM7-406	CASE ASSY., OIL	1	
002	15600-ZM7-003	CAP ASSY., OIL FILLER	1	
003	15625-ZE1-003	PACKING, OIL FILLER CAP	1	
004	90006-ZM7-000	BOLT, FLANGE, 5X23	8	
005	90471-580-000	PACKING, 8MM	1	
006	91202-HC5-003	OIL SEAL, 17X27X5 (ARAI)	1	
007	95701-0801208	BOLT, FLANGE, 8X12	1	

GXH50U(QEUBU)

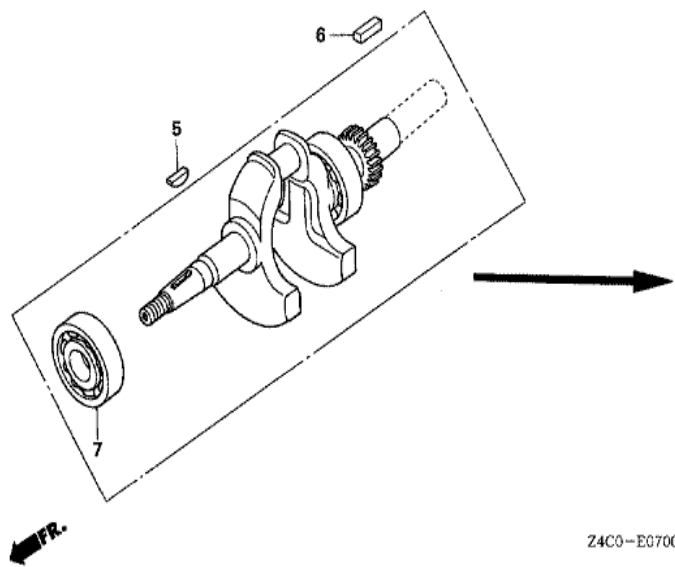
E-6 CRANKCASE SIDE COVER



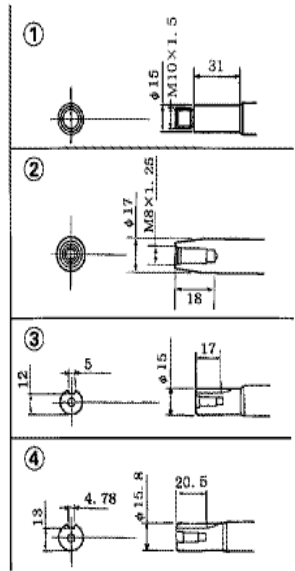
Z4C0E0600A

Ref	Partnumber	Description	GXH50U	Serial Numbers
001	11340-ZM7-V30	COVER COMP., CRANKCASE SIDE	1	
001	11340-ZM7-V30	COVER COMP., CRANKCASE SIDE	1	
002	16510-ZM7-000	GOVERNOR ASSY.	1	
003	16531-ZM7-000	SLIDER, GOVERNOR	1	
004	90006-ZM7-000	BOLT, FLANGE, 5X23	6	
005	90441-ZM7-000	WASHER, 4.2X13	2	
006	90602-ZM7-000	CLIP, GOVERNOR HOLDER	1	
007	91202-HC5-003	OIL SEAL, 17X27X5 (ARAI)	1	
008	94301-06100	DOWEL PIN, 6X10	2	

GXH50U(QEUBU)	E-7 CRANKSHAFT
---------------	----------------



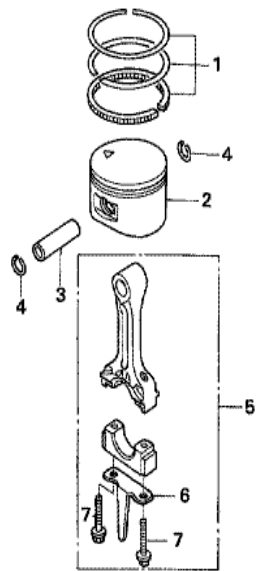
Z4C0-EG700



Ref	Partnumber	Description	GXH50U	Serial Numbers
004	13310-ZM7-V30	CRANKSHAFT COMP.	1	
004	13310-ZM7-V30	CRANKSHAFT COMP.	1	1114531
004	13310-ZM7-V31	CRANKSHAFT COMP.	1	1114532 1117635
004	13310-ZM7-V32	CRANKSHAFT COMP.	1	1117636
005	13331-ZM7-000	KEY, SPECIAL	1	
006	90741-959-000	KEY, 5MM	(1)	
007	96100-6203000	BEARING, RADIAL BALL, 6203	1	

GXH50U(QEBU)

E-8 PISTON/CONNECTING ROD

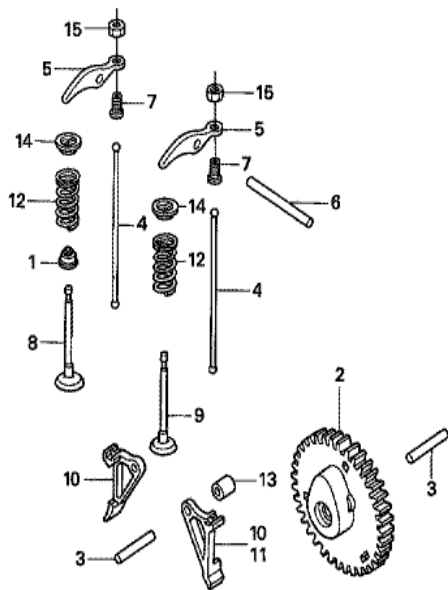


Z4C0-E0800

Ref	Partnumber	Description	GXH50U	Serial Numbers
001	13010-ZM7-000	RING SET, PISTON (STD.)	1	
002	13101-ZM7-010	PISTON (STD.)	1	
003	13111-122-000	PIN, PISTON, 10X33	1	
004	13115-147-000	CLIP, PISTON PIN, 10MM	2	
005	13200-ZM7-V30	ROD ASSY., CONNECTING	1	
005	13200-ZM7-V30	ROD ASSY., CONNECTING	1	
005	13200-ZM7-V30	ROD ASSY., CONNECTING	1	
006	13281-ZM7-V30	DIPPER, CONNECTING ROD	1	
006	13281-ZM7-V30	DIPPER, CONNECTING ROD	1	
006	13281-ZM7-V30	DIPPER, CONNECTING ROD	1	
007	90001-ZM7-000	BOLT, CONNECTING ROD	2	

GXH50U(QEBU)

E-9 CAMSHAFT



Z4C0-E0900

<u>Ref</u>	<u>Partnumber</u>	<u>Description</u>	<u>GXH50U</u>	<u>Serial Numbers</u>
001	12209-ZM7-003	SEAL, VALVE STEM	1	
002	14100-ZOG-000	CAMSHAFT ASSY.	1	
003	14126-ZOG-003	ROLLER (5X29.8)	2	
004	14410-ZM7-000	ROD, PUSH	2	
005	14431-ZM7-000	ARM, VALVE ROCKER	2	
006	14435-ZM7-003	ROLLER (4X37.8)	1	
007	14451-ZM7-000	PIVOT, ROCKER ARM	2	
008	14711-ZM7-000	VALVE, IN.	1	
009	14721-ZM7-000	VALVE, EX.	1	
010	14731-ZM7-013	LIFTER, VALVE	1	
011	14732-ZOG-003	LIFTER, EX. VALVE	1	
012	14751-ZM7-000	SPRING, VALVE	2	
013	14754-ZM7-000	COLLAR, LIFTER	1	
<u>Ref</u>	<u>Partnumber</u>	<u>Description</u>	<u>GXH50U</u>	<u>Serial Numbers</u>
014	14771-ZM3-010	RETAINER, VALVE SPRING	2	
015	90206-KM3-000	NUT, TAPPET ADJUSTING	2	