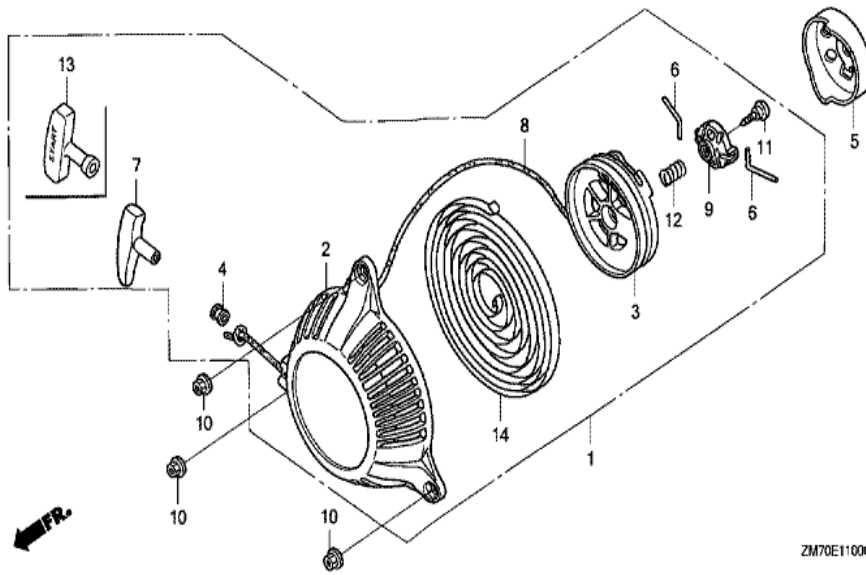


GXH50(SPB4)

E-11 RECOIL STARTER

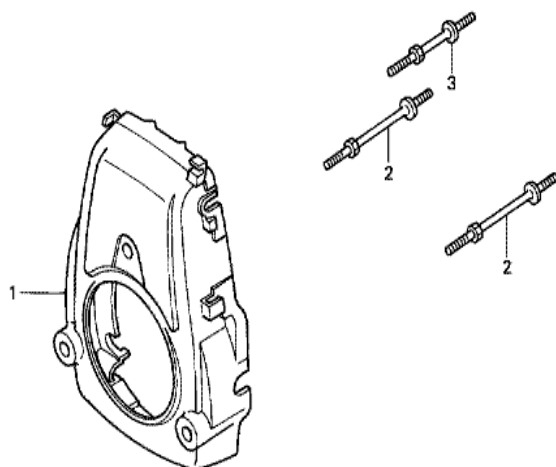


ZM70E1100C

<u>Ref</u>	<u>Partnumber</u>	<u>Description</u>	<u>GXH50</u>	<u>Serial Numbers</u>
001	28400-ZM7-003	STARTER ASSY., RECOIL	1	
002	28414-ZM7-003	CASE, RECOIL STARTER	1	
002	28414-ZM7-003	CASE, RECOIL STARTER	1	
003	28421-ZM7-003	REEL, RECOIL STARTER	1	
004	28433-ZM3-003	GUIDE, ROPE	1	
005	28451-ZM7-003	PULLEY, RECOIL STARTER	1	
006	28459-ZM7-003	ARM, SWING	2	
007	28461-ZM3-003	KNOB, RECOIL STARTER	1	
008	28462-ZM7-003	ROPE, RECOIL STARTER	1	
008	28462-ZM7-003	ROPE, RECOIL STARTER	1	
009	91504-ZM7-003	COLLAR	1	
010	94050-05000	NUT, FLANGE, 5MM	3	
011	90012-ZM3-003	SCREW, SETTING	1	
<u>Ref</u>	<u>Partnumber</u>	<u>Description</u>	<u>GXH50</u>	<u>Serial Numbers</u>
012	28404-968-004	SPRING, FRICTION	1	
014	28442-ZL8-003	SPRING, RECOIL STARTER	1	

GXH50(SP4)

E-12 FAN COVER

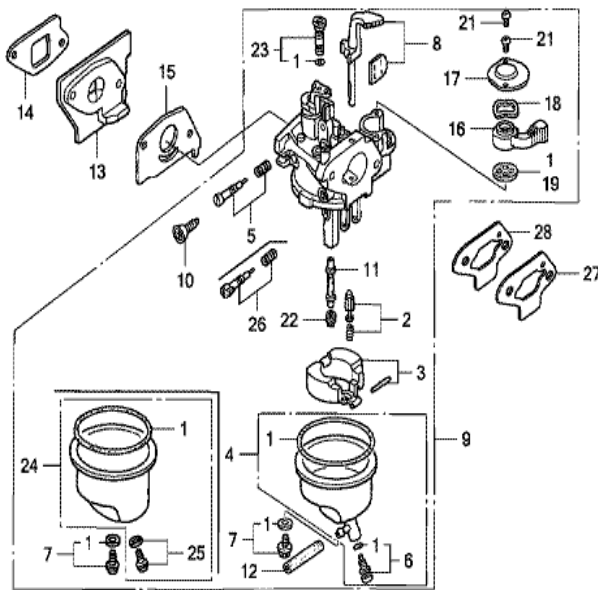


ZM70-E1200

Ref	Partnumber	Description	GXH50	Serial Numbers
001	19610-ZM7-000ZC	COVER COMP., FAN *R280 *	1	
001	19610-ZM7-000ZC	COVER COMP., FAN *R280 *	1	
001	19610-ZM7-000ZD	COVER COMP., FAN *NH1 *	1	
001	19610-ZM7-000ZD	COVER COMP., FAN *NH1 *	1	
002	90042-ZM7-000	BOLT A, STUD	2	
003	90043-ZM7-000	BOLT B, STUD	1	

GXH50(SPB4)

E-14 CARBURETOR

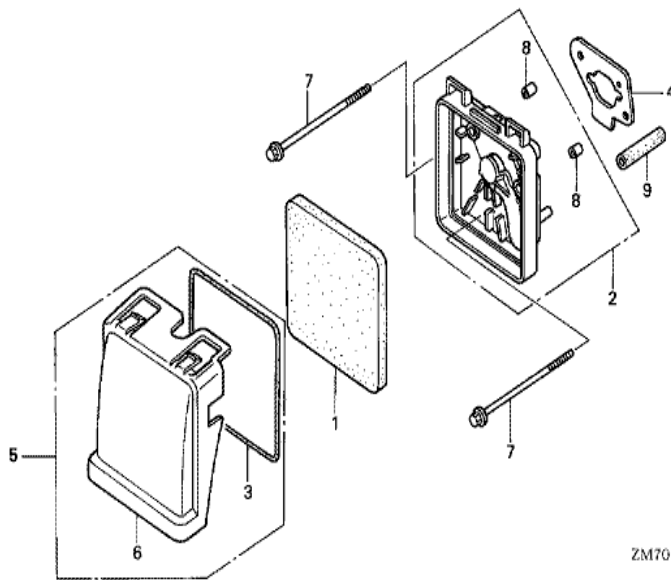


ZM70E1400B

Ref	Partnumber	Description	GXH50	Serial Numbers
001	16010-ZM7-003	GASKET SET	1	
001	16010-ZM7-003	GASKET SET	1	
002	16011-ZE0-005	VALVE SET, FLOAT	1	
003	16013-ZG0-811	FLOAT SET	1	
004	16015-ZM7-003	CHAMBER SET, FLOAT	1	
006	16024-ZB9-005	SCREW SET, DRAIN	1	
007	16028-ZG0-811	SCREW SET	1	
008	16044-ZM7-003	CHOKE SET	1	BF32C D
008	16044-ZM7-003	CHOKE SET	1	
009	16100-ZM7-803	CARBURETOR ASSY. (BF32C C)	1	1537631
009	16100-ZM7-803	CARBURETOR ASSY. (BF32C C)	1	
010	16124-ZE0-005	SCREW, THROTTLE STOP	1	
011	16166-ZM7-003	NOZZLE, MAIN	1	
<u>Ref</u>	<u>Partnumber</u>	<u>Description</u>	<u>GXH50</u>	<u>Serial Numbers</u>
012	16199-ZM7-003	TUBE	1	
013	16211-ZM7-000	INSULATOR, CARBURETOR	1	
014	16212-ZM7-000	PACKING, INSULATOR	1	
015	16221-ZG0-801	PACKING, CARBURETOR	1	
016	16953-ZG0-812	LEVER, COCK	1	
017	16954-ZE1-812	PLATE, LEVER SETTING	1	
018	16956-ZE1-811	SPRING, COCK LEVER	1	
019	16957-ZE1-812	PACKING, FUEL COCK	1	
021	93500-030061H	SCREW, PAN, 3X6	2	
022	99101-ZG00500	JET, MAIN, #50	(1)	
022	99101-ZG00500	JET, MAIN, #50	(1)	
022	99101-ZG00520	JET, MAIN, #52	1	
022	99101-ZG00520	JET, MAIN, #52	(1)	
022	99101-ZG00550	JET, MAIN, #55	1	
022	99101-ZG00550	JET, MAIN, #55	1	
023	99204-ZE20350	JET SET, PILOT, #35	1	
026	16016-ZH7-W01	SCREW SET, PILOT	1	

GXH50(SP4)

E-15 AIR CLEANER



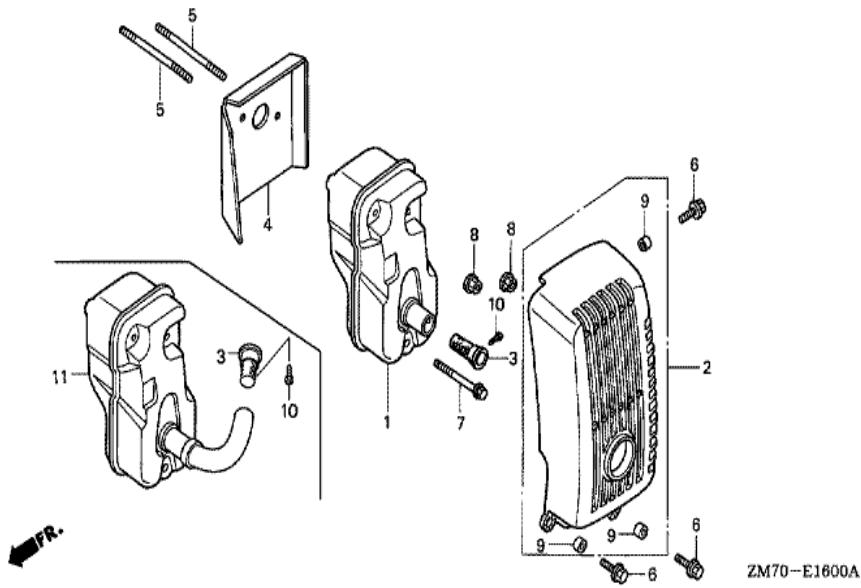
ZM70-E1500



Ref	Partnumber	Description	GXH50	Serial Numbers
001	17211-ZM7-000	ELEMENT, AIR CLEANER	1	
002	17220-ZM7-000	CASE COMP., AIR CLEANER	1	
003	17227-ZM7-000	SEAL, AIR CLEANER	1	
004	17228-ZM7-000	PACKING, AIR CLEANER	1	
004	17228-ZM7-000	PACKING, AIR CLEANER	1	
005	17230-ZM7-000	COVER COMP., AIR CLEANER	1	
006	17231-ZM7-000	COVER, AIR CLEANER	1	
007	90004-ZM7-000	BOLT, FLANGE, 5X75	2	
008	91503-ZM7-000	COLLAR, AIR CLEANER	2	
009	95005-7007530	TUBE, 7X75 (95005-70001-30M)	1	

GXH50(SPB4)

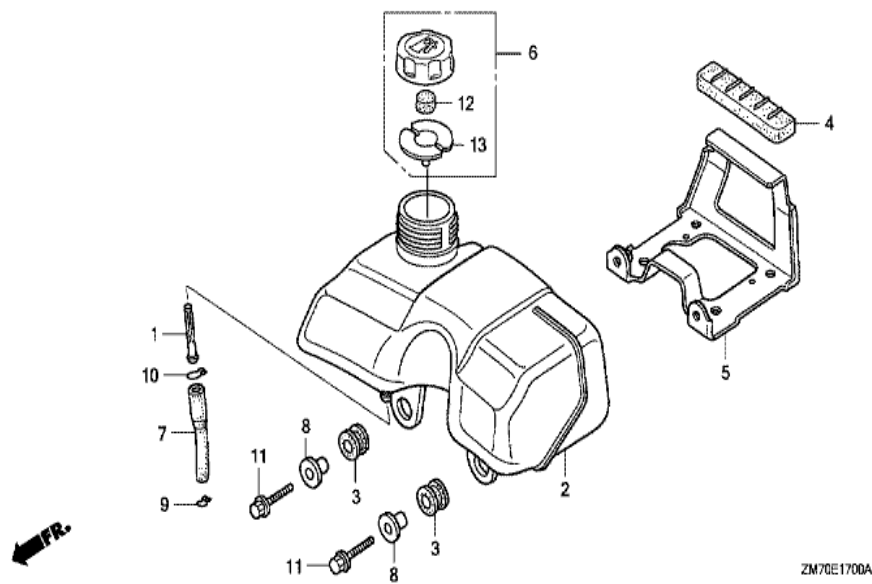
E-16 MUFFLER



ZM70-E1600A

Ref	Partnumber	Description	GXH50	Serial Numbers
001	18310-ZM7-801	MUFFLER COMP.	(1)	
001	18310-ZM7-801	MUFFLER COMP.	1	
002	18320-ZM7-000	PROTECTOR COMP., MUFFLER	1	
003	18350-ZM7-801	ARRESTER COMP., SPARK	1	
004	18515-ZM7-000	GUIDE, AIR	1	
005	90002-ZM7-000	BOLT, STUD, 5X55	2	
006	90012-892-000	BOLT, FLANGE, 5X16	3	
007	90103-P4V-010	BOLT, FLANGE, 5X35	1	
008	90136-SM4-901	NUT, SELF-LOCK, 5MM	2	
009	91502-ZM3-000	COLLAR, TOP COVER	3	
010	93903-24110	SCREW, TAPPING, 4X8	1	

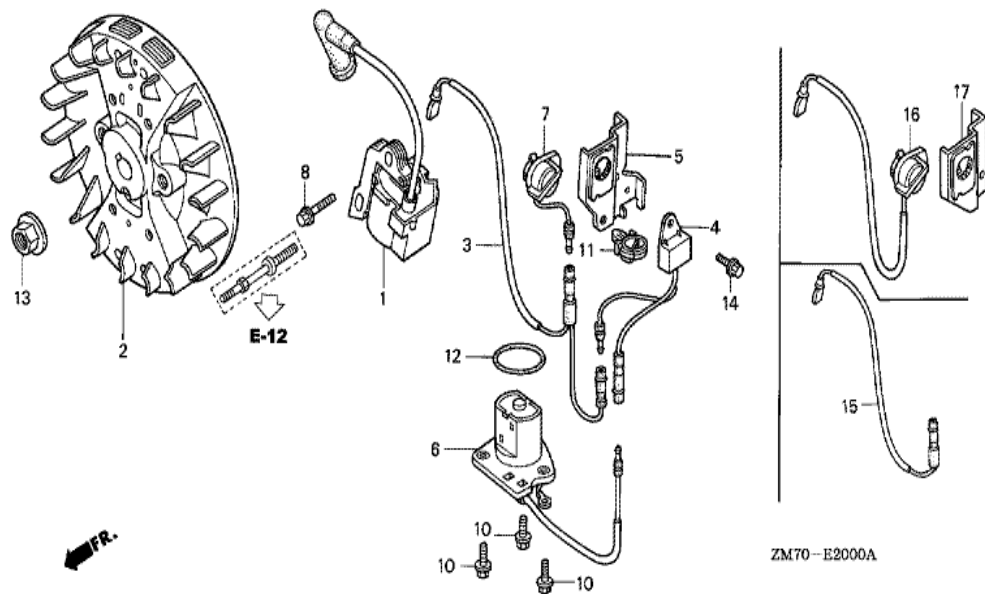
GXH50(SP4)	E-17 FUEL TANK
------------	----------------



<u>Ref</u>	<u>Partnumber</u>	<u>Description</u>	<u>GXH50</u>	<u>Serial Numbers</u>
001	16952-ZE6-000	STRAINER, FUEL	1	
002	17511-ZM7-000	TANK, FUEL	1	
003	17532-ZM7-000	RUBBER A, TANK MOUNTING	2	
004	17533-ZM7-000	RUBBER B, TANK MOUNTING	1	
005	17560-ZM7-000	STAY COMP., FUEL TANK	1	
006	17620-ZL8-013	CAP ASSY., FUEL TANK	1	
006	17620-ZL8-013	CAP ASSY., FUEL TANK	1	
007	17701-ZM7-000	TUBE A, FUEL	1	
007	17701-ZM7-000	TUBE A, FUEL	1	
008	19052-MB4-880	COLLAR, CANISTER MOUNTING	2	
009	95002-02080	CLIP, TUBE (B8)	1	
010	95002-02100	CLIP, TUBE (B10)	1	
010	95002-02100	CLIP, TUBE (B10)	1	
<u>Ref</u>	<u>Partnumber</u>	<u>Description</u>	<u>GXH50</u>	<u>Serial Numbers</u>
011	95701-0602007	BOLT, FLANGE, 6X20	2	
012	17622-ZL8-003	SPONGE, FUEL CAP BREATHER	1	
013	17624-ZL8-003	PACKING, FUEL CAP	1	

GXH50(SP4)

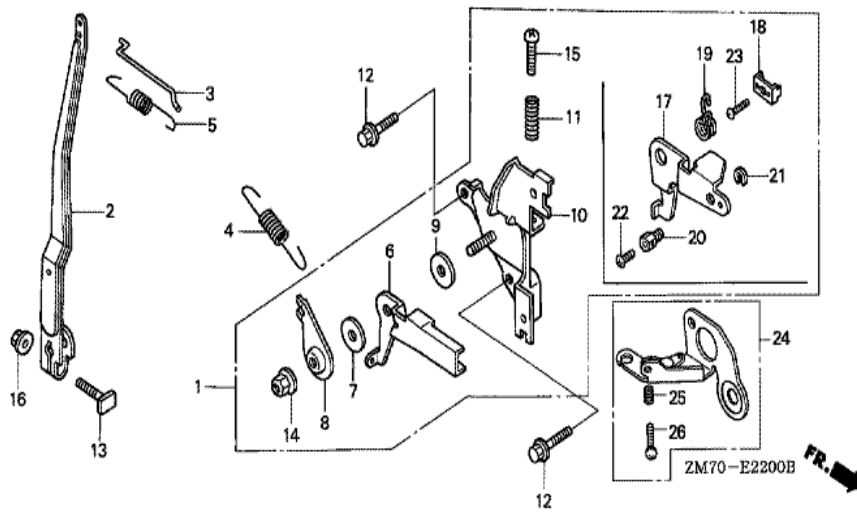
E-20 FLYWHEEL/IGNITION COIL



Ref	Partnumber	Description	GXH50	Serial Numbers
001	30500-ZM7-004	COIL ASSY., IGNITION	1	
002	31110-ZM7-004	FLYWHEEL COMP.	1	
008	90004-ZC3-000	BOLT, FLANGE, 5X20	1	
013	94050-10000	NUT, FLANGE, 10MM	1	
015	32195-ZN4-000	CORD, STOP SWITCH	1	

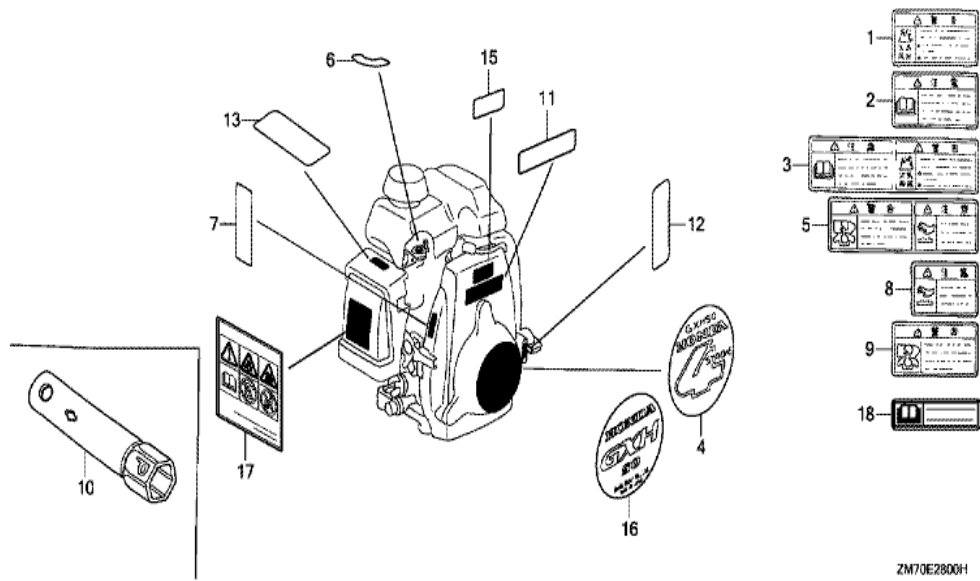
GXH50(SPB4)

E-22 CONTROL (1)



<u>Ref</u>	<u>Partnumber</u>	<u>Description</u>	<u>GXH50</u>	<u>Serial Numbers</u>
001	16500-ZM7-V50	CONTROL ASSY.	1	
002	16551-ZM7-000	ARM, GOVERNOR	1	
003	16555-ZM7-000	ROD, GOVERNOR	1	
004	16561-ZN4-000	SPRING, GOVERNOR	1	
004	16561-ZN4-000	SPRING, GOVERNOR	1	
005	16562-ZM7-000	SPRING, THROTTLE RETURN	1	
006	16571-ZM7-000	LEVER, CONTROL (###)	1	
007	16574-ZE1-000	SPRING, LEVER	1	
008	16575-ZH8-000	WASHER, CONTROL LEVER	1	
009	16578-ZE1-000	SPACER, CONTROL LEVER	1	
010	16580-ZM7-000	BASE COMP., CONTROL (###)	1	
011	16584-ZE3-790	SPRING, CONTROL ADJUSTING	1	
012	90003-892-000	BOLT, FLANGE, 5X12	2	
<u>Ref</u>	<u>Partnumber</u>	<u>Description</u>	<u>GXH50</u>	<u>Serial Numbers</u>
013	90015-ZE5-010	BOLT, GOVERNOR ARM	1	
014	90114-SA0-000	NUT, SELF-LOCK, 6MM	1	
015	93500-050250G	SCREW, PAN, 5X25	1	
016	94050-06000	NUT, FLANGE, 6MM	1	

GXH50(SPB4)	E-28 LABEL/TOOL
-------------	-----------------

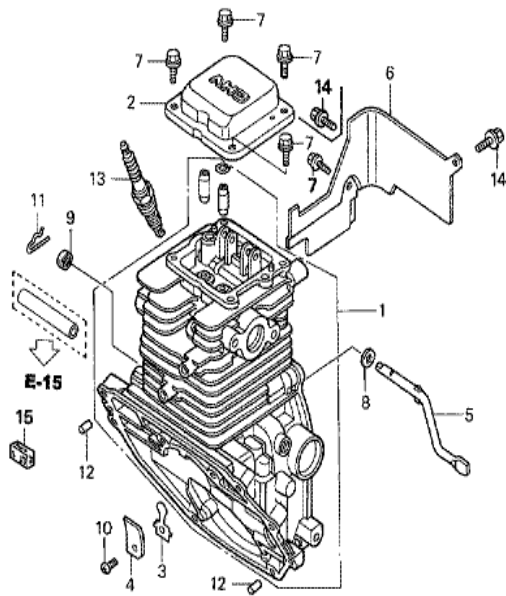


ZM70E2800H

Ref	Partnumber	Description	GXH50	Serial Numbers
004	87521-ZM7-010	EMBLEM (4STROKE)	1	1396852
004	87521-ZM7-010	EMBLEM (4STROKE)	1	
006	87528-ZG0-W40	MARK, COCK (EXTERNAL)	1	
007	87532-ZM3-G00	MARK, THROTTLE INDICATION	1	
010	89216-130-690	WRENCH, SPARK PLUG	1	
010	89216-130-690	WRENCH, SPARK PLUG	(1)	

GXH50(SPB4)

E-3 CYLINDER BARREL

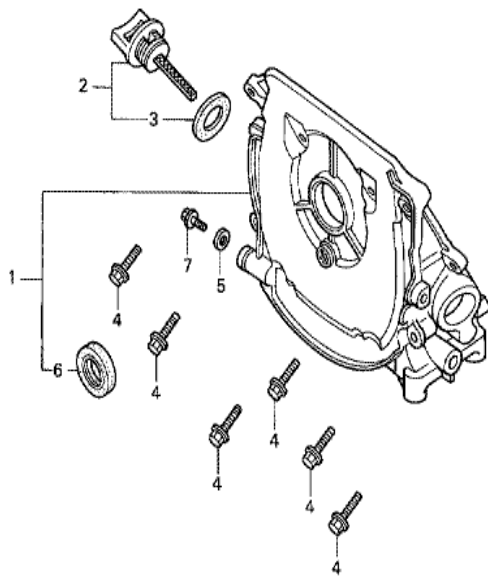


ZM70-E0300B

<u>Ref</u>	<u>Partnumber</u>	<u>Description</u>	<u>GXH50</u>	<u>Serial Numbers</u>
001	12100-ZM7-407	BARREL COMP., CYLINDER	1	1374067
001	12100-ZM7-417	BARREL COMP., CYLINDER	1	1374068
001	12100-ZM7-417	BARREL COMP., CYLINDER	1	
001	12100-ZM7-417	BARREL COMP., CYLINDER	1	1374068
002	12311-ZM7-010	COVER, HEAD	1	
003	15571-ZM7-003	VALVE, OIL OUTLET	1	
004	15572-ZM7-000	PLATE, STOPPER	1	
005	16541-ZM7-000	SHAFT, GOVERNOR ARM	1	
006	19631-ZM7-000	SHROUD	1	
006	19631-ZM7-000	SHROUD	1	
007	90003-892-000	BOLT, FLANGE, 5X12	4	
007	90003-892-000	BOLT, FLANGE, 5X12	5	
008	90443-ZC3-000	WASHER, 5.2X9	1	
<u>Ref</u>	<u>Partnumber</u>	<u>Description</u>	<u>GXH50</u>	<u>Serial Numbers</u>
009	91231-ZC3-003	OIL SEAL, 5X11X5	1	
010	93500-030050A	SCREW, PAN, 3X5	1	
011	94251-06000	PIN, LOCK, 6MM	1	
012	96220-60150	ROLLER, 6X15	2	
013	98056-54757	PLUG, SPARK (U14FSR-UB)	(1)	
013	98056-54757	PLUG, SPARK (U14FSR-UB)	(1)	
013	98056-54777	PLUG, SPARK (CR4HSB)	(1)	
013	98056-54777	PLUG, SPARK (CR4HSB)	(1)	
013	98056-55757	PLUG, SPARK (U16FSR-UB)	1	
013	98056-55757	PLUG, SPARK (U16FSR-UB)	1	
013	98056-55777	PLUG, SPARK (CR5HSB)	1	
013	98056-55777	PLUG, SPARK (CR5HSB)	1	
014	90003-892-000	BOLT, FLANGE, 5X12	1	

GXH50(SPB4)

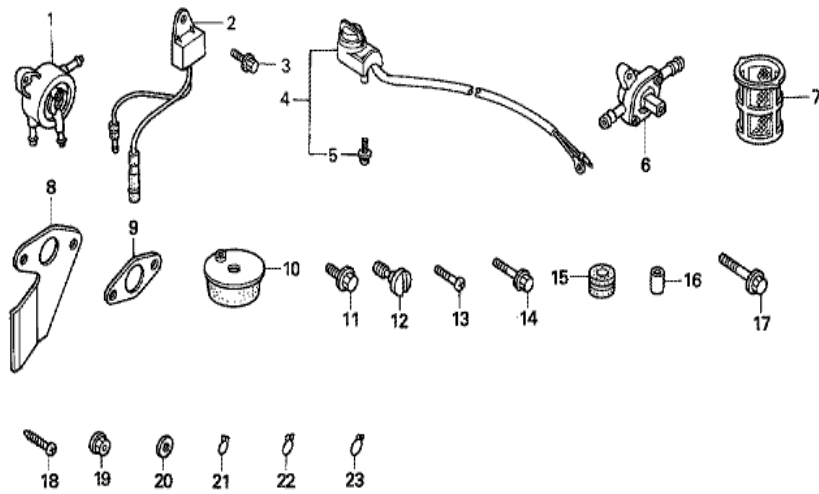
E-3-10 OIL CASE



ZM70-E0310

Ref	Partnumber	Description	GXH50	Serial Numbers
001	11300-ZM7-406	CASE ASSY., OIL	1	
001	11300-ZM7-406	CASE ASSY., OIL	1	
002	15600-ZM7-003	CAP ASSY., OIL FILLER	1	
003	15625-ZE1-003	PACKING, OIL FILLER CAP	1	
004	90006-ZM7-000	BOLT, FLANGE, 5X23	8	
005	90471-580-000	PACKING, 8MM	1	
006	91202-HC5-003	OIL SEAL, 17X27X5 (ARAI)	1	
007	95701-0801208	BOLT, FLANGE, 8X12	1	

GXH50(SPB4)	E-40 OTHER PARTS
-------------	------------------

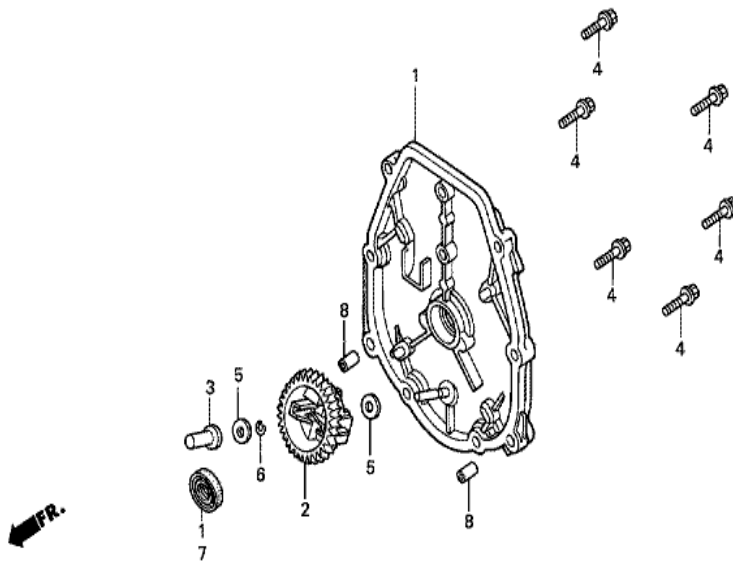


ZM70-E4000B

Ref	Partnumber	Description	GXH50	Serial Numbers
004	35120-746-C21	SWITCH ASSY., ENGINE STOP	1	
005	90105-733-D61	BOLT, 3X12 (SEMS)	1	

GXH50(SPB4)

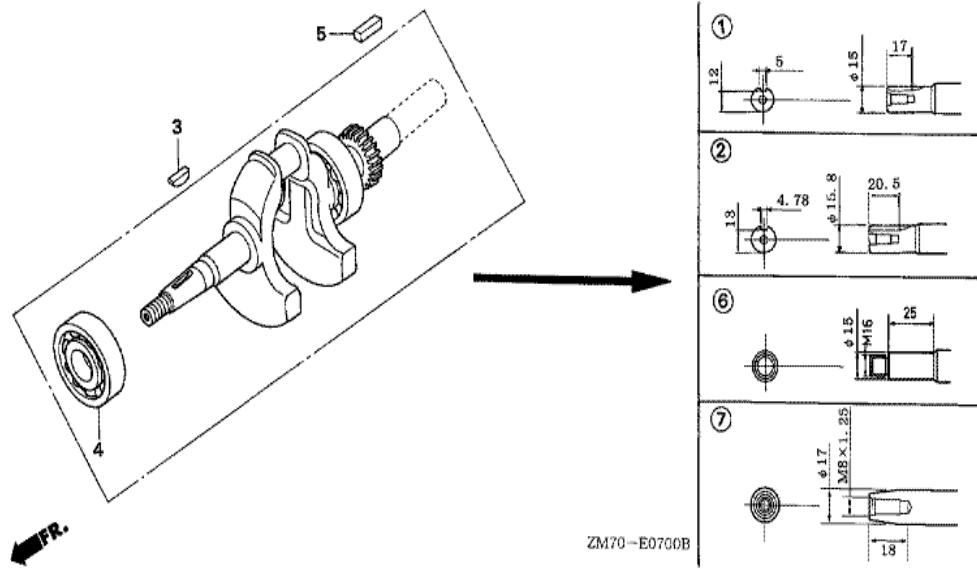
E-6 CRANKCASE COVER



ZM70-E0600

Ref	Partnumber	Description	GXH50	Serial Numbers
001	11340-ZM7-020	COVER COMP., CRANKCASE SIDE	1	1199158
001	11340-ZM7-020	COVER COMP., CRANKCASE SIDE	1	
002	16510-ZM7-000	GOVERNOR ASSY.	1	
003	16531-ZM7-000	SLIDER, GOVERNOR	1	
004	90006-ZM7-000	BOLT, FLANGE, 5X23	6	
005	90441-ZM7-000	WASHER, 4.2X13	2	
006	90602-ZM7-000	CLIP, GOVERNOR HOLDER	1	
007	91202-HC5-003	OIL SEAL, 17X27X5 (ARAI)	1	
008	94301-06100	DOWEL PIN, 6X10	2	

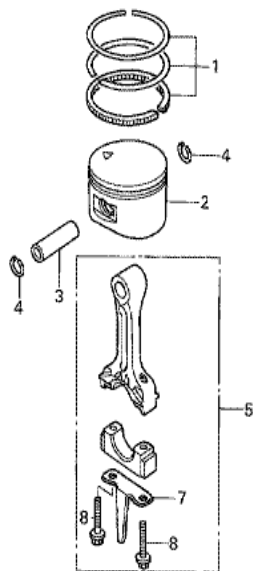
GXH50(SP4)	E-7 CRANKSHAFT
------------	----------------



ZM70-E0700B

Ref	Partnumber	Description	GXH50	Serial Numbers
001	13310-ZM7-000	CRANKSHAFT COMP.	1	
003	13331-ZM7-000	KEY, SPECIAL	1	
004	96100-6203000	BEARING, RADIAL BALL, 6203	1	
005	90741-959-000	KEY, 5MM	(1)	

GXH50(SP4)	E-8 PISTON/CONNECTING ROD
------------	---------------------------

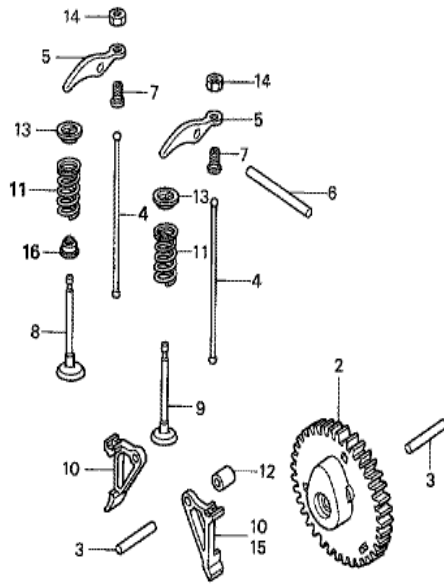


FR.

ZM70-E0800

Ref	Partnumber	Description	GXH50	Serial Numbers
001	13010-ZM7-000	RING SET, PISTON (STD.)	1	
002	13101-ZM7-010	PISTON (STD.)	1	
003	13111-122-000	PIN, PISTON, 10X33	1	
004	13115-147-000	CLIP, PISTON PIN, 10MM	2	
005	13200-ZM7-000	ROD ASSY., CONNECTING	1	
007	13281-ZM7-000	DIPPER, CONNECTING ROD	1	
008	90001-ZM7-000	BOLT, CONNECTING ROD	2	

GXH50(SP4)	E-9 CAMSHAFT
------------	--------------



ZM70-EG900B

<u>Ref</u>	<u>Partnumber</u>	<u>Description</u>	<u>GXH50</u>	<u>Serial Numbers</u>
002	14100-ZM7-010	CAMSHAFT ASSY.	1	1023741
002	14100-ZM7-010	CAMSHAFT ASSY.	1	
003	14126-ZOG-003	ROLLER (5X29.8)	2	
003	14126-ZOG-003	ROLLER (5X29.8)	2	1199158
004	14410-ZM7-000	ROD, PUSH	2	
005	14431-ZM7-000	ARM, VALVE ROCKER	2	
006	14435-ZM7-003	ROLLER (4X37.8)	1	
007	14451-ZM7-000	PIVOT, ROCKER ARM	2	
008	14711-ZM7-000	VALVE, IN.	1	
009	14721-ZM7-000	VALVE, EX.	1	
010	14731-ZM7-013	LIFTER, VALVE	2	1029412
010	14731-ZM7-013	LIFTER, VALVE	2	
011	14751-ZM7-000	SPRING, VALVE	2	
<u>Ref</u>	<u>Partnumber</u>	<u>Description</u>	<u>GXH50</u>	<u>Serial Numbers</u>
012	14754-ZM7-000	COLLAR, LIFTER	1	
013	14771-ZM3-010	RETAINER, VALVE SPRING	2	1017843
013	14771-ZM3-010	RETAINER, VALVE SPRING	2	
014	90206-KM3-000	NUT, TAPPET ADJUSTING	2	