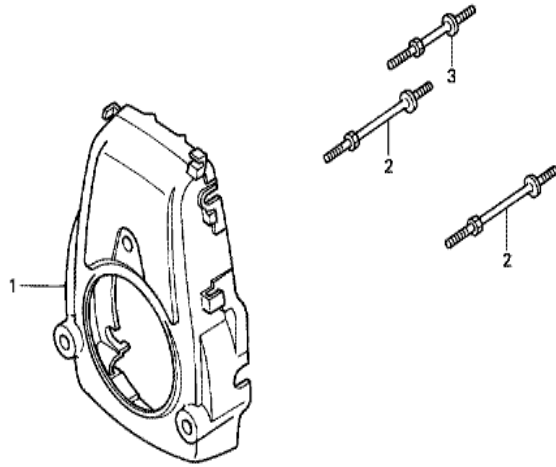


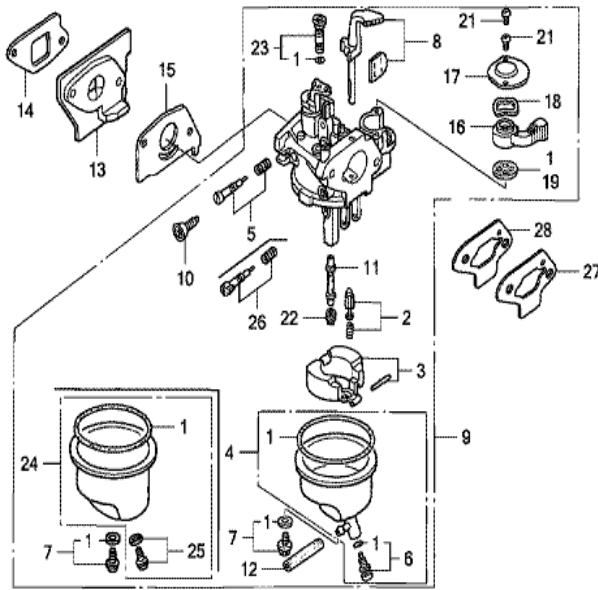
ZM70E1100C

| <u>Ref</u> | <u>Partnumber</u> | <u>Description</u> | <u>GXH50</u> | <u>Serial Numbers</u> |
|------------|-------------------|------------------------|--------------|-----------------------|
| 001 | 28400-ZM7-V31 | STARTER ASSY., RECOIL | 1 | |
| 002 | 28410-ZM7-V31 | CASE COMP., STARTER | 1 | |
| 002 | 28410-ZM7-V31 | CASE COMP., STARTER | 1 | |
| 003 | 28421-ZM7-003 | REEL, RECOIL STARTER | 1 | |
| 005 | 28451-ZM7-003 | PULLEY, RECOIL STARTER | 1 | |
| 006 | 28459-ZM7-003 | ARM, SWING | 2 | |
| 008 | 28462-ZOG-003 | ROPE, RECOIL STARTER | 1 | |
| 008 | 28462-ZOG-003 | ROPE, RECOIL STARTER | 1 | |
| 009 | 91504-ZM7-003 | COLLAR | 1 | |
| 010 | 94050-05000 | NUT, FLANGE, 5MM | 3 | |
| 011 | 90012-ZM3-003 | SCREW, SETTING | 1 | |
| 012 | 28404-968-004 | SPRING, FRICTION | 1 | |
| 013 | 28461-ZH8-003 | GRIP, STARTER | 1 | |
| <u>Ref</u> | <u>Partnumber</u> | <u>Description</u> | <u>GXH50</u> | <u>Serial Numbers</u> |
| 014 | 28442-ZL8-003 | SPRING, RECOIL STARTER | 1 | |



ZM70-E1200

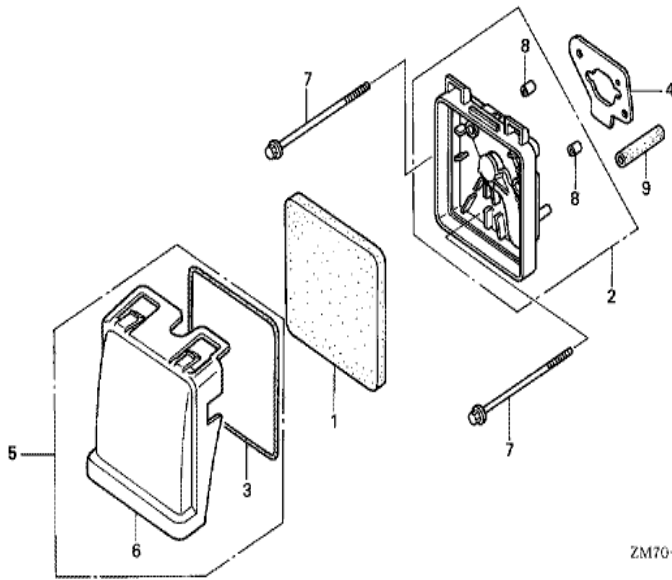
| Ref | Partnumber | Description | GXH50 | Serial Numbers |
|-----|-----------------|--------------------------|-------|----------------|
| 001 | 19610-ZM7-000ZC | COVER COMP., FAN *R280 * | 1 | |
| 001 | 19610-ZM7-000ZC | COVER COMP., FAN *R280 * | 1 | |
| 002 | 90042-ZM7-000 | BOLT A, STUD | 2 | |
| 003 | 90043-ZM7-000 | BOLT B, STUD | 1 | |



ZM70E1400B

| Ref | Partnumber | Description | GXH50 | Serial Numbers |
|-----|---------------|----------------------------|-------|----------------|
| 001 | 16010-ZM7-003 | GASKET SET | 1 | |
| 001 | 16010-ZM7-003 | GASKET SET | 1 | |
| 002 | 16011-ZE0-005 | VALVE SET, FLOAT | 1 | |
| 003 | 16013-ZG0-811 | FLOAT SET | 1 | |
| 004 | 16015-ZM7-003 | CHAMBER SET, FLOAT | 1 | |
| 006 | 16024-ZB9-005 | SCREW SET, DRAIN | 1 | |
| 007 | 16028-ZG0-811 | SCREW SET | 1 | |
| 008 | 16044-ZM7-003 | CHOKE SET | 1 | BF32C D |
| 008 | 16044-ZM7-003 | CHOKE SET | 1 | |
| 009 | 16100-ZM7-V31 | CARBURETOR ASSY. (BF32G A) | 1 | |
| 009 | 16100-ZM7-V31 | CARBURETOR ASSY. (BF32G A) | 1 | |
| 009 | 16100-ZM7-V31 | CARBURETOR ASSY. (BF32G A) | 1 | |
| 010 | 16124-ZE0-005 | SCREW, THROTTLE STOP | 1 | |

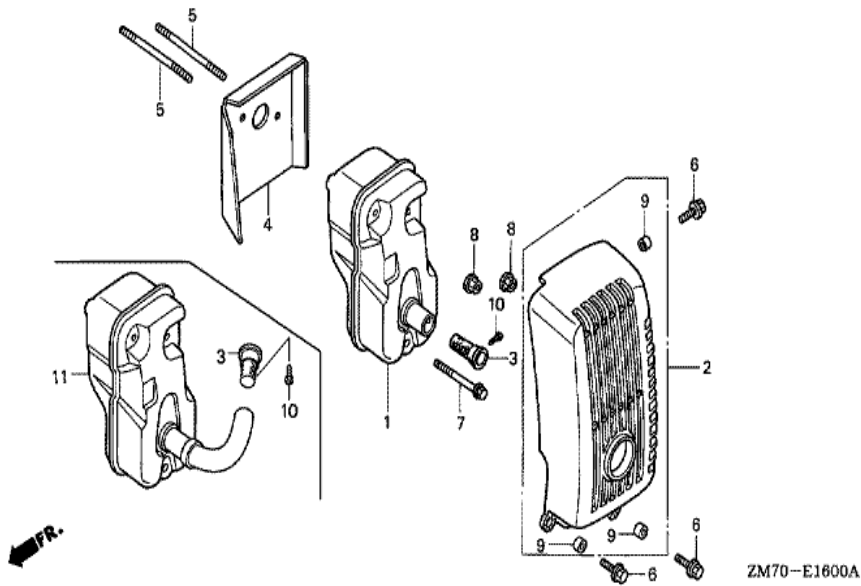
| <u>Ref</u> | <u>Partnumber</u> | <u>Description</u> | <u>GXH50</u> | <u>Serial Numbers</u> |
|------------|-------------------|--|--------------|-----------------------|
| 011 | 16166-ZM7-003 | NOZZLE, MAIN | 1 | |
| 012 | 95003-0501031 | TUBE, VINYL, 3.5X6.5X100 (95003-05001-60 | 1 | |
| 013 | 16211-ZM7-000 | INSULATOR, CARBURETOR | 1 | |
| 014 | 16212-ZM7-000 | PACKING, INSULATOR | 1 | |
| 015 | 16221-ZG0-801 | PACKING, CARBURETOR | 1 | |
| 016 | 16953-ZG0-812 | LEVER, COCK | 1 | |
| 017 | 16954-ZE1-812 | PLATE, LEVER SETTING | 1 | |
| 018 | 16956-ZE1-811 | SPRING, COCK LEVER | 1 | |
| 019 | 16957-ZE1-812 | PACKING, FUEL COCK | 1 | |
| 021 | 93500-030061H | SCREW, PAN, 3X6 | 2 | |
| 022 | 99101-ZG00480 | JET, MAIN, #48 | (1) | |
| 022 | 99101-ZG00500 | JET, MAIN, #50 | (1) | |
| 022 | 99101-ZG00500 | JET, MAIN, #50 | (1) | |
| 022 | 99101-ZG00520 | JET, MAIN, #52 | 1 | |
| 022 | 99101-ZG00520 | JET, MAIN, #52 | 1 | |
| 023 | 99204-ZE20350 | JET SET, PILOT, #35 | 1 | |
| 026 | 16016-ZH7-W01 | SCREW SET, PILOT | 1 | |
| 027 | 16220-ZM7-V30 | SPACER, CARBURETOR | 1 | |
| 028 | 17228-ZM7-000 | PACKING, AIR CLEANER | 1 | |



ZM70-E1500

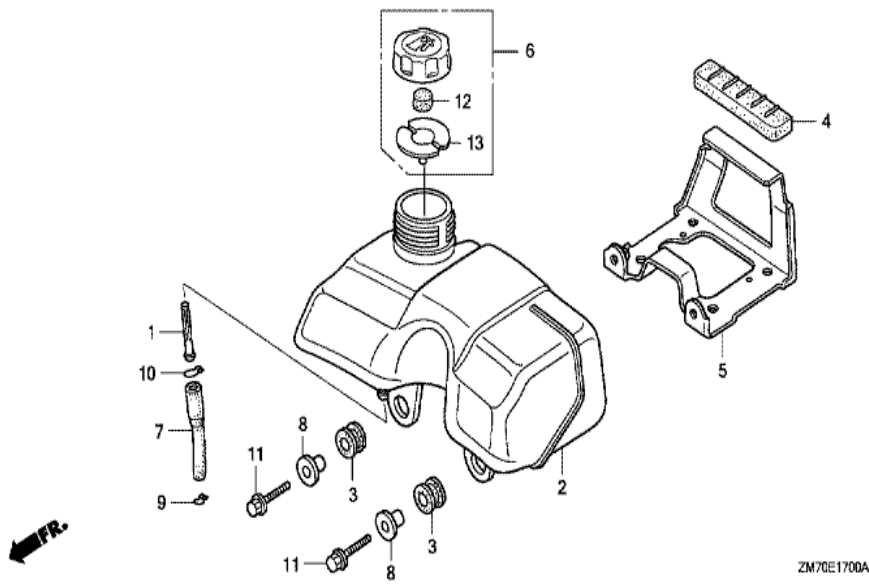
FR. →

| Ref | Partnumber | Description | GXH50 | Serial Numbers |
|-----|---------------|------------------------------|-------|----------------|
| 001 | 17211-ZM7-000 | ELEMENT, AIR CLEANER | 1 | |
| 002 | 17220-ZM7-000 | CASE COMP., AIR CLEANER | 1 | |
| 003 | 17227-ZM7-000 | SEAL, AIR CLEANER | 1 | |
| 004 | 17228-Z0G-000 | PACKING, AIR CLEANER | 1 | |
| 004 | 17228-Z0G-000 | PACKING, AIR CLEANER | 1 | |
| 005 | 17230-ZM7-000 | COVER COMP., AIR CLEANER | 1 | |
| 006 | 17231-ZM7-000 | COVER, AIR CLEANER | 1 | |
| 007 | 90004-ZM7-V30 | BOLT, FLANGE, 5X80 | 2 | |
| 008 | 91503-ZM7-000 | COLLAR, AIR CLEANER | 2 | |
| 009 | 95005-7007530 | TUBE, 7X75 (95005-70001-30M) | 1 | |



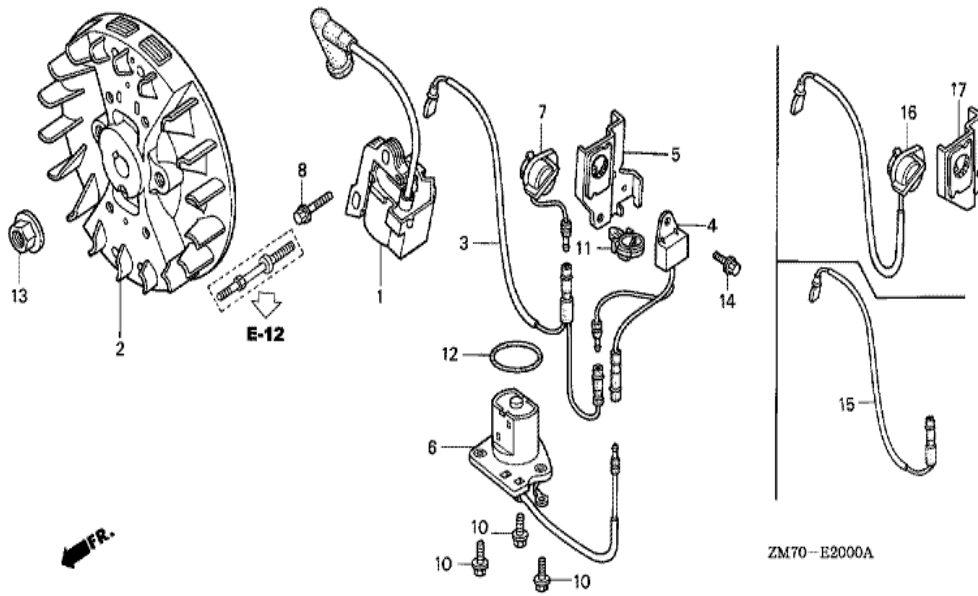
ZM70-E1600A

| <u>Ref</u> | <u>Partnumber</u> | <u>Description</u> | <u>GXH50</u> | <u>Serial Numbers</u> |
|------------|-------------------|--------------------------|--------------|-----------------------|
| 002 | 18320-ZM7-000 | PROTECTOR COMP., MUFFLER | 1 | |
| 003 | 18350-ZM7-801 | ARRESTER COMP., SPARK | 1 | |
| 003 | 18350-ZM7-801 | ARRESTER COMP., SPARK | (1) | |
| 004 | 18515-ZM7-000 | GUIDE, AIR | 1 | |
| 005 | 90002-ZM7-000 | BOLT, STUD, 5X55 | 2 | |
| 006 | 90012-892-000 | BOLT, FLANGE, 5X16 | 3 | |
| 007 | 90103-P4V-010 | BOLT, FLANGE, 5X35 | 1 | |
| 008 | 90136-SM4-901 | NUT, SELF-LOCK, 5MM | 2 | |
| 009 | 91502-ZM3-000 | COLLAR, TOP COVER | 3 | |
| 010 | 93903-24110 | SCREW, TAPPING, 4X8 | 1 | |
| 010 | 93903-24110 | SCREW, TAPPING, 4X8 | (1) | |
| 011 | 18310-ZM7-V31 | MUFFLER COMP. | 1 | |
| 011 | 18310-ZM7-V41 | MUFFLER COMP. | (1) | |
| <u>Ref</u> | <u>Partnumber</u> | <u>Description</u> | <u>GXH50</u> | <u>Serial Numbers</u> |
| 011 | 18310-ZM7-V41 | MUFFLER COMP. | (1) | |

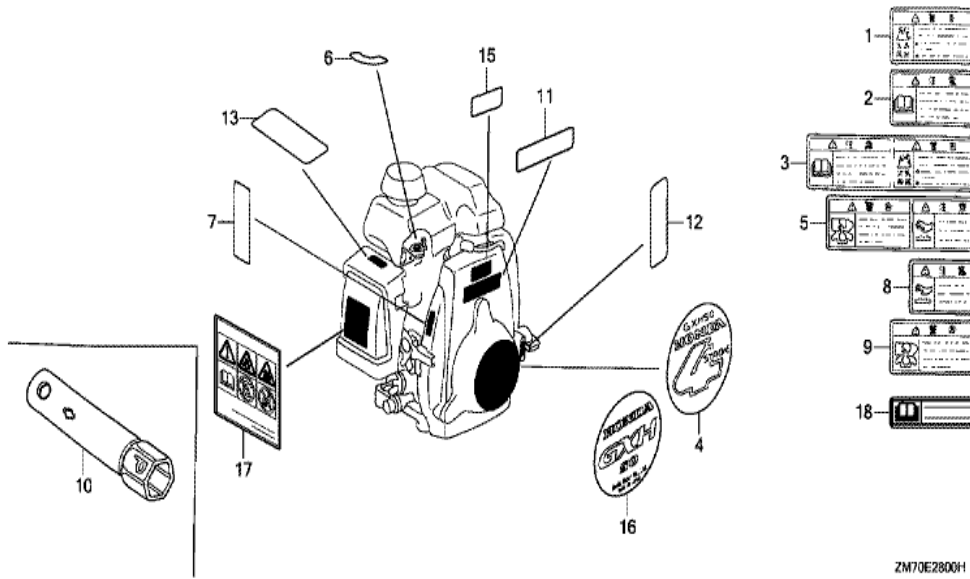


ZM70E1700A

| <u>Ref</u> | <u>Partnumber</u> | <u>Description</u> | <u>GXH50</u> | <u>Serial Numbers</u> |
|------------|-------------------|---------------------------|--------------|-----------------------|
| 001 | 16952-ZE6-000 | STRAINER, FUEL | 1 | |
| 002 | 17511-ZM7-000 | TANK, FUEL | 1 | |
| 002 | 17511-ZM7-000 | TANK, FUEL | 1 | 1574706 |
| 002 | 17511-ZM7-010 | TANK, FUEL | 1 | |
| 002 | 17511-ZM7-010 | TANK, FUEL | 1 | 1574707 |
| 003 | 17532-ZM7-000 | RUBBER A, TANK MOUNTING | 2 | |
| 004 | 17533-ZM7-000 | RUBBER B, TANK MOUNTING | 1 | |
| 005 | 17560-ZM7-000 | STAY COMP., FUEL TANK | 1 | |
| 006 | 17620-ZL8-013 | CAP ASSY., FUEL TANK | 1 | |
| 006 | 17620-ZL8-013 | CAP ASSY., FUEL TANK | 1 | |
| 007 | 17701-ZM7-000 | TUBE A, FUEL | 1 | |
| 007 | 17701-ZM7-000 | TUBE A, FUEL | 1 | |
| 008 | 19052-MB4-880 | COLLAR, CANISTER MOUNTING | 2 | |
| <u>Ref</u> | <u>Partnumber</u> | <u>Description</u> | <u>GXH50</u> | <u>Serial Numbers</u> |
| 009 | 95002-02080 | CLIP, TUBE (B8) | 1 | |
| 010 | 95002-02100 | CLIP, TUBE (B10) | 1 | |
| 010 | 95002-02100 | CLIP, TUBE (B10) | 1 | |
| 011 | 95701-0602007 | BOLT, FLANGE, 6X20 | 2 | |
| 012 | 17622-ZL8-003 | SPONGE, FUEL CAP BREATHER | 1 | |
| 013 | 17624-ZL8-003 | PACKING, FUEL CAP | 1 | |

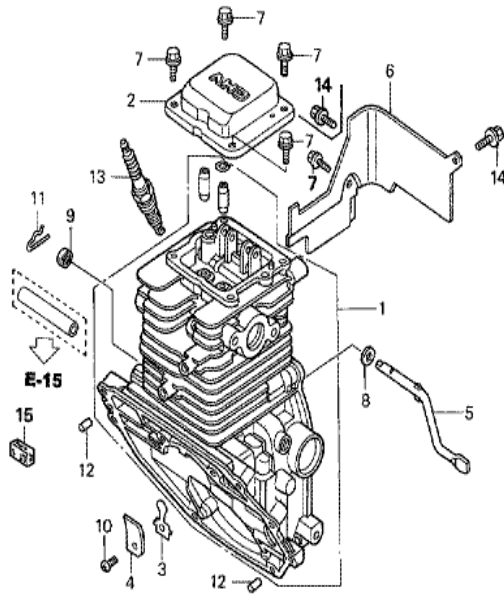


| Ref | Partnumber | Description | GXH50 | Serial Numbers |
|-----|---------------|----------------------------|-------|----------------|
| 001 | 30500-ZM7-004 | COIL ASSY., IGNITION | 1 | |
| 002 | 31110-ZM7-004 | FLYWHEEL COMP. | 1 | |
| 008 | 90004-ZC3-000 | BOLT, FLANGE, 5X20 | 1 | |
| 013 | 94050-10000 | NUT, FLANGE, 10MM | 1 | |
| 016 | 35120-ZM7-801 | SWITCH ASSY., ENGINE STOP | 1 | |
| 016 | 35120-ZM7-801 | SWITCH ASSY., ENGINE STOP | 1 | |
| 017 | 35124-ZM7-V30 | BRACKET COMP., STOP SWITCH | 1 | |



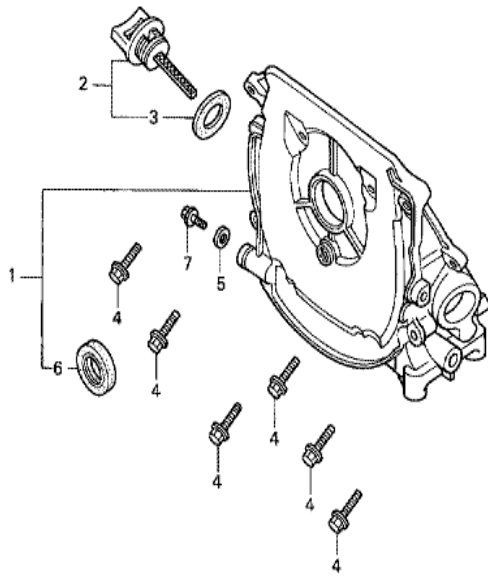
ZM70E2800H

| Ref | Partnumber | Description | GXH50 | Serial Numbers |
|-----|---------------|--------------------------------|-------|----------------|
| 004 | 87521-ZM7-010 | EMBLEM (4STROKE) | 1 | 1396852 |
| 004 | 87521-ZM7-010 | EMBLEM (4STROKE) | 1 | |
| 006 | 87528-ZG0-W40 | MARK, COCK (EXTERNAL) | 1 | |
| 010 | 89216-130-690 | WRENCH, SPARK PLUG | 1 | |
| 010 | 89216-130-690 | WRENCH, SPARK PLUG | (1) | |
| 012 | 87501-ZL8-000 | MARK, ENGINE SWITCH INDICATION | 1 | |
| 012 | 87501-ZL8-000 | MARK, ENGINE SWITCH INDICATION | 1 | 1602255 |
| 012 | 87501-ZM7-V40 | MARK, ENGINE SWITCH INDICATION | 1 | 1602256 |
| 012 | 87501-ZM7-V40 | MARK, ENGINE SWITCH INDICATION | 1 | 1602256 |
| 013 | 87528-ZOD-000 | MARK, CHOKE INDICATION | 1 | |



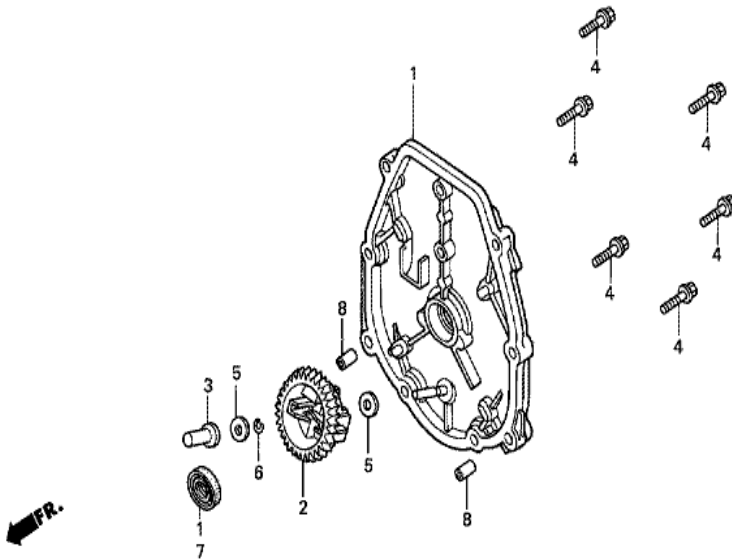
ZM70-E0300B

| <u>Ref</u> | <u>Partnumber</u> | <u>Description</u> | <u>GXH50</u> | <u>Serial Numbers</u> |
|------------|-------------------|-------------------------|--------------|-----------------------|
| 001 | 12100-ZM7-417 | BARREL COMP., CYLINDER | 1 | 1374068 |
| 001 | 12100-ZM7-417 | BARREL COMP., CYLINDER | 1 | |
| 001 | 12100-ZM7-417 | BARREL COMP., CYLINDER | 1 | |
| 002 | 12311-ZM7-010 | COVER, HEAD | 1 | |
| 003 | 15571-ZM7-003 | VALVE, OIL OUTLET | 1 | |
| 004 | 15572-ZM7-000 | PLATE, STOPPER | 1 | |
| 005 | 16541-ZM7-000 | SHAFT, GOVERNOR ARM | 1 | |
| 006 | 19631-ZM7-000 | SHROUD | 1 | |
| 006 | 19631-ZM7-000 | SHROUD | 1 | |
| 007 | 90003-892-000 | BOLT, FLANGE, 5X12 | 4 | |
| 007 | 90003-892-000 | BOLT, FLANGE, 5X12 | 5 | |
| 008 | 90443-ZC3-000 | WASHER, 5.2X9 | 1 | |
| 009 | 91231-ZC3-003 | OIL SEAL, 5X11X5 | 1 | |
| <u>Ref</u> | <u>Partnumber</u> | <u>Description</u> | <u>GXH50</u> | <u>Serial Numbers</u> |
| 010 | 93500-030050A | SCREW, PAN, 3X5 | 1 | |
| 011 | 94251-06000 | PIN, LOCK, 6MM | 1 | |
| 012 | 96220-60150 | ROLLER, 6X15 | 2 | |
| 013 | 98056-54757 | PLUG, SPARK (U14FSR-UB) | (1) | |
| 013 | 98056-54757 | PLUG, SPARK (U14FSR-UB) | 1 | |
| 013 | 98056-54777 | PLUG, SPARK (CR4HSB) | (1) | |
| 013 | 98056-54777 | PLUG, SPARK (CR4HSB) | 1 | |
| 014 | 90003-892-000 | BOLT, FLANGE, 5X12 | 1 | |
| 015 | 12367-ZE6-010 | FILTER, BREATHER | 1 | |
| 015 | 12367-ZE6-010 | FILTER, BREATHER | 1 | 1562768 |



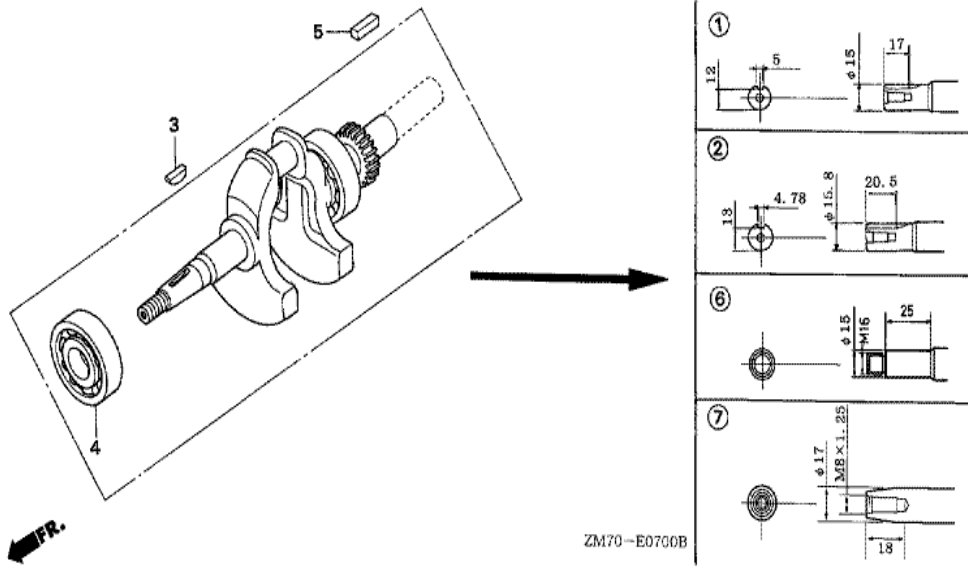
ZM70-E0310

| Ref | Partnumber | Description | GXH50 | Serial Numbers |
|-----|---------------|--------------------------|-------|----------------|
| 001 | 11300-ZM7-406 | CASE ASSY., OIL | 1 | |
| 001 | 11300-ZM7-406 | CASE ASSY., OIL | 1 | |
| 002 | 15600-ZM7-003 | CAP ASSY., OIL FILLER | 1 | |
| 003 | 15625-ZE1-003 | PACKING, OIL FILLER CAP | 1 | |
| 004 | 90006-ZM7-000 | BOLT, FLANGE, 5X23 | 8 | |
| 005 | 90471-580-000 | PACKING, 8MM | 1 | |
| 006 | 91202-HC5-003 | OIL SEAL, 17X27X5 (ARAI) | 1 | |
| 007 | 95701-0801208 | BOLT, FLANGE, 8X12 | 1 | |

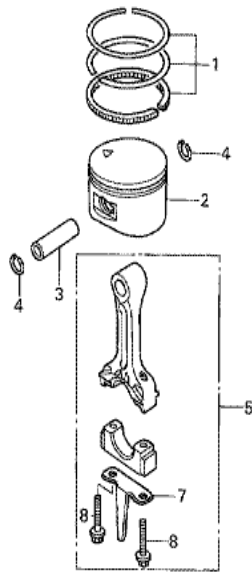


ZM70-E0600

| Ref | Partnumber | Description | GXH50 | Serial Numbers |
|-----|---------------|-----------------------------|-------|----------------|
| 001 | 11340-ZM7-V30 | COVER COMP., CRANKCASE SIDE | 1 | |
| 001 | 11340-ZM7-V30 | COVER COMP., CRANKCASE SIDE | 1 | |
| 001 | 11340-ZM7-V30 | COVER COMP., CRANKCASE SIDE | 1 | |
| 002 | 16510-ZM7-000 | GOVERNOR ASSY. | 1 | |
| 003 | 16531-ZM7-000 | SLIDER, GOVERNOR | 1 | |
| 004 | 90006-ZM7-000 | BOLT, FLANGE, 5X23 | 6 | |
| 005 | 90441-ZM7-000 | WASHER, 4.2X13 | 2 | |
| 006 | 90602-ZM7-000 | CLIP, GOVERNOR HOLDER | 1 | |
| 007 | 91202-HC5-003 | OIL SEAL, 17X27X5 (ARAI) | 1 | |
| 008 | 94301-06100 | DOWEL PIN, 6X10 | 2 | |



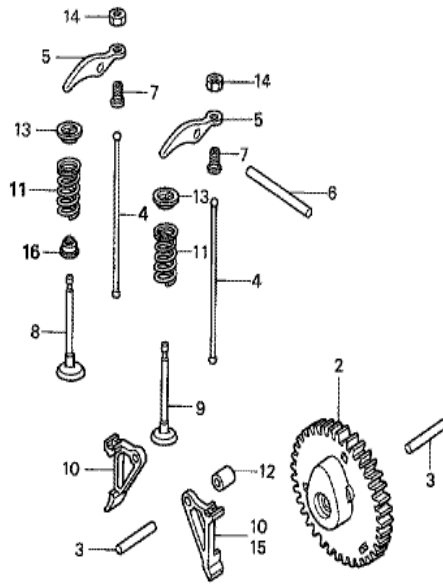
| Ref | Partnumber | Description | GXH50 | Serial Numbers |
|-----|---------------|----------------------------|-------|----------------|
| 002 | 13310-ZM7-V30 | CRANKSHAFT COMP. | 1 | |
| 003 | 13331-ZM7-000 | KEY, SPECIAL | 1 | |
| 004 | 96100-6203000 | BEARING, RADIAL BALL, 6203 | 1 | |
| 005 | 90741-959-000 | KEY, 5MM | (1) | |



FR.

ZM70--E0800

| Ref | Partnumber | Description | GXH50 | Serial Numbers |
|-----|---------------|-------------------------|-------|----------------|
| 001 | 13010-ZM7-000 | RING SET, PISTON (STD.) | 1 | |
| 002 | 13101-ZM7-010 | PISTON (STD.) | 1 | |
| 003 | 13111-122-000 | PIN, PISTON, 10X33 | 1 | |
| 004 | 13115-147-000 | CLIP, PISTON PIN, 10MM | 2 | |
| 005 | 13200-ZM7-V30 | ROD ASSY., CONNECTING | 1 | 1387262 |
| 005 | 13200-ZM7-V30 | ROD ASSY., CONNECTING | 1 | |
| 005 | 13200-ZM7-V30 | ROD ASSY., CONNECTING | 1 | |
| 007 | 13281-ZM7-V30 | DIPPER, CONNECTING ROD | 1 | 1387262 |
| 007 | 13281-ZM7-V30 | DIPPER, CONNECTING ROD | 1 | |
| 007 | 13281-ZM7-V30 | DIPPER, CONNECTING ROD | 1 | |
| 008 | 90001-ZM7-000 | BOLT, CONNECTING ROD | 2 | |



ZM70-EG900B

| <u>Ref</u> | <u>Partnumber</u> | <u>Description</u> | <u>GXH50</u> | <u>Serial Numbers</u> |
|------------|-------------------|------------------------|--------------|-----------------------|
| 002 | 14100-ZOG-000 | CAMSHAFT ASSY. | 1 | |
| 002 | 14100-ZOG-000 | CAMSHAFT ASSY. | 1 | |
| 003 | 14126-ZOG-003 | ROLLER (5X29.8) | 2 | |
| 003 | 14126-ZOG-003 | ROLLER (5X29.8) | 2 | 1199158 |
| 004 | 14410-ZM7-000 | ROD, PUSH | 2 | |
| 005 | 14431-ZM7-000 | ARM, VALVE ROCKER | 2 | |
| 006 | 14435-ZM7-003 | ROLLER (4X37.8) | 1 | |
| 007 | 14451-ZM7-000 | PIVOT, ROCKER ARM | 2 | |
| 008 | 14711-ZM7-000 | VALVE, IN. | 1 | |
| 009 | 14721-ZM7-000 | VALVE, EX. | 1 | |
| 010 | 14731-ZM7-013 | LIFTER, VALVE | 2 | 1029412 |
| 010 | 14731-ZM7-013 | LIFTER, VALVE | 1 | |
| 011 | 14751-ZM7-000 | SPRING, VALVE | 2 | |
| <u>Ref</u> | <u>Partnumber</u> | <u>Description</u> | <u>GXH50</u> | <u>Serial Numbers</u> |
| 012 | 14754-ZM7-000 | COLLAR, LIFTER | 1 | |
| 013 | 14771-ZM3-010 | RETAINER, VALVE SPRING | 2 | 1017843 |
| 013 | 14771-ZM3-010 | RETAINER, VALVE SPRING | 2 | |
| 014 | 90206-KM3-000 | NUT, TAPPET ADJUSTING | 2 | |
| 015 | 14732-ZOG-003 | LIFTER, EX. VALVE | 1 | |
| 016 | 12209-ZM7-003 | SEAL, VALVE STEM | 1 | |
| 016 | 12209-ZM7-003 | SEAL, VALVE STEM | 1 | 1562768 |