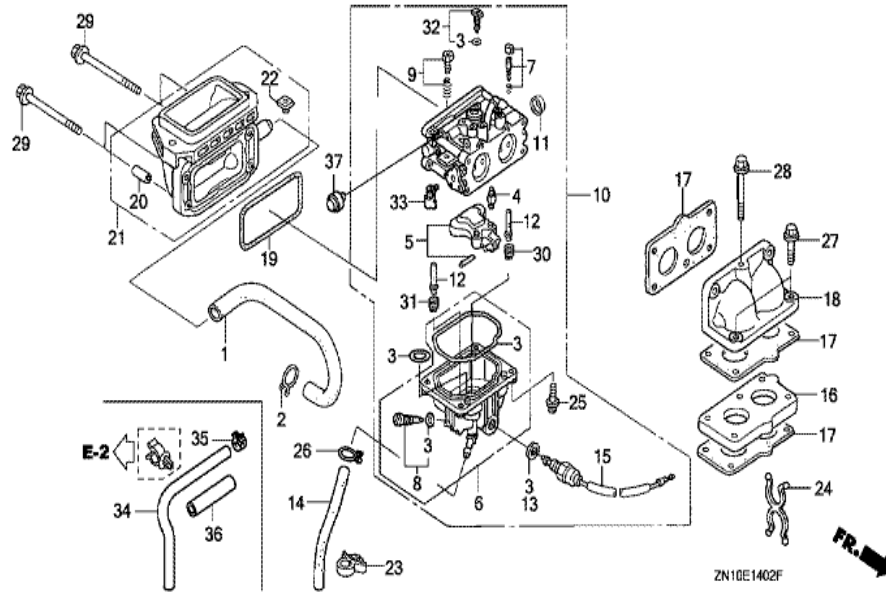
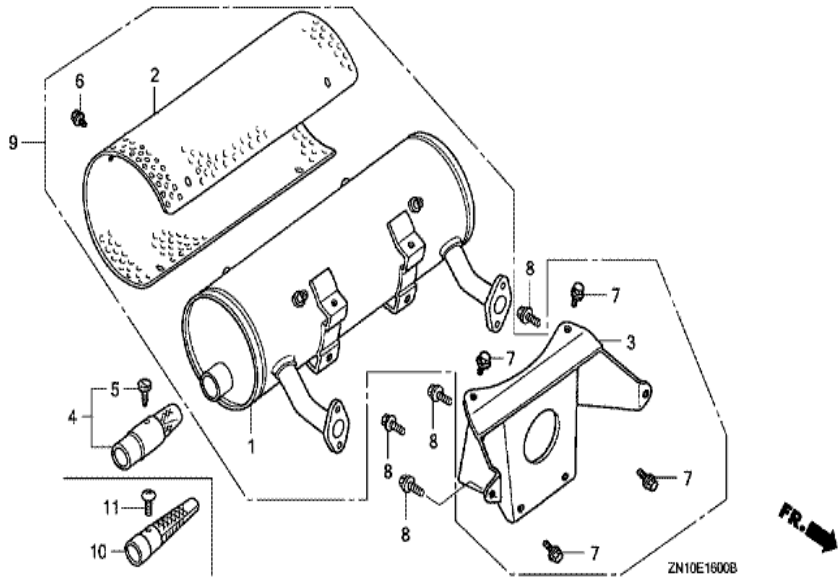


Ref	Partnumber	Description	GX670	Serial Numbers
001	16715-ZJ1-840	COVER, FUEL PUMP	1	
004	19612-ZJ1-841	PLATE, SIDE	1	
005	19614-ZJ1-841	PLATE, SIDE	1	
006	19631-ZJ1-840	SHROUD	1	
007	19632-ZN1-010	SHROUD	1	
008	33713-GC2-000	COLLAR B, TAILLIGHT	6	
010	80101-310-000	RUBBER, RR. FENDER CUSHION	1	
011	90013-883-000	BOLT, FLANGE, 6X12 (CT200)	9	
012	90018-ZE1-000	BOLT, FLANGE, 6X23 (CT200)	2	
013	90042-ZJ1-840	BOLT, STUD, 6X71	4	
014	90313-ZJ1-840	NUT, SQUARE, 5MM	2	
015	93913-25580	SCREW, TAPPING, 5X20	2	
017	94050-06000	NUT, FLANGE, 6MM	4	
Ref	Partnumber	Description	GX670	Serial Numbers
018	95701-0600800	BOLT, FLANGE, 6X8	2	
021	19611-ZJ1-850ZC	COVER, FAN (RECOIL STARTER) *R280 *	1	
027	19621-ZJ1-801ZC	PROTECTOR, FAN COVER *R280 *	1	

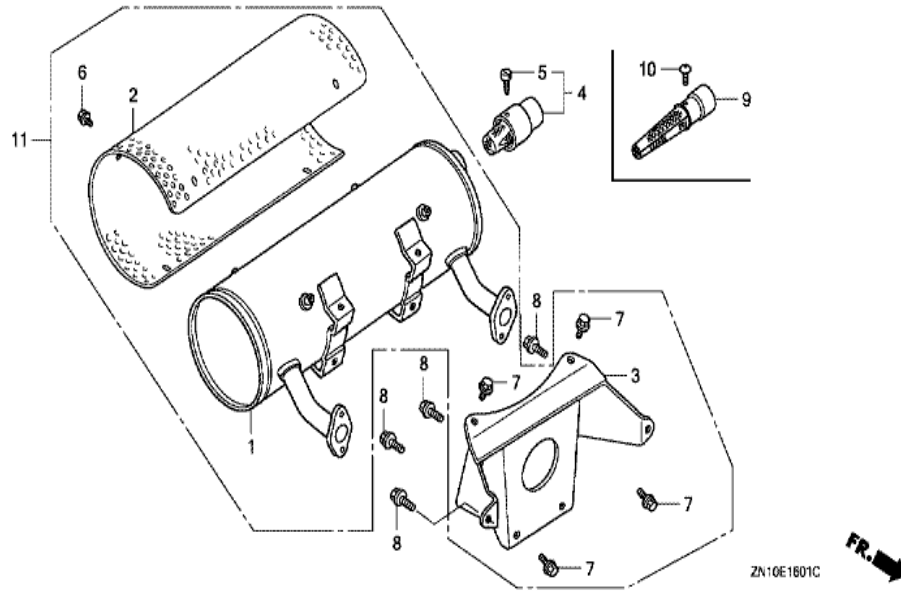


Ref	Partnumber	Description	GX670	Serial Numbers
001	12357-ZJ1-840	TUBE, BREATHER	1	
002	15772-551-000	CLIP, BREATHER TUBE	1	
003	16010-ZN1-801	GASKET SET	1	
004	16011-ZN1-801	VALVE SET, FLOAT	1	
005	16013-ZN1-801	FLOAT SET	1	
006	16015-ZN1-801	CHAMBER SET, FLOAT	1	
007	16016-ZN1-801	SCREW SET, PILOT	2	
007	16016-ZN1-801	SCREW SET, PILOT	2	
008	16024-124-760	SCREW SET, DRAIN	1	
009	16028-ZN1-801	SCREW SET, THROTTLE	1	
010	16100-ZN1-U41	CARBURETOR ASSY. (BK01G A)	1	
010	16100-ZN1-U41	CARBURETOR ASSY. (BK01G A)	1	
011	16148-141-881	CAP, CHOKE DUST	1	

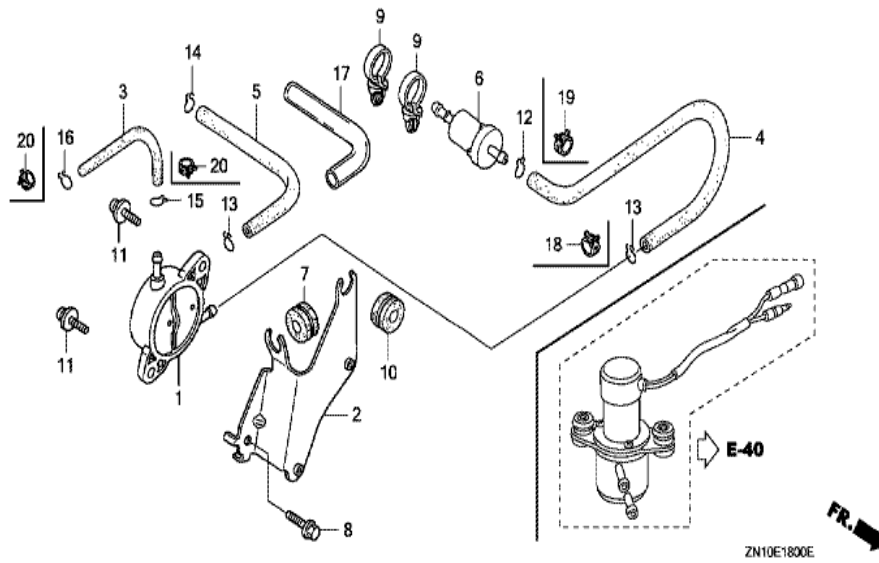
<u>Ref</u>	<u>Partnumber</u>	<u>Description</u>	<u>GX670</u>	<u>Serial Numbers</u>
012	16166-ZN1-801	NOZZLE, MAIN	2	
013	16178-ZN1-801	WASHER, PLAIN	1	
014	16198-ZJ1-840	TUBE, DRAIN	1	
015	16200-ZN1-801	VALVE ASSY., SOLENOID (KEIHIN)	1	
015	16200-ZN1-801	VALVE ASSY., SOLENOID (KEIHIN)	1	
016	16211-ZN1-000	INSULATOR, CARBURETOR	1	
017	16221-ZN1-000	PACKING, CARBURETOR	3	
018	17103-ZN1-010	ELBOW, MANIFOLD	1	
019	17228-ZN1-000	PACKING, AIR CLEANER	1	
020	17238-ZJ4-830	COLLAR A, AIR CLEANER	4	
021	17410-ZN1-000	ELBOW COMP., AIR CLEANER	1	
022	90314-ZJ1-840	NUT, INSERT, 6MM	2	
023	90682-959-661	CLIP B, CABLE (9MM BLACK)	1	
024	91402-ZJ1-841	CLIP, PURSE LOCK	1	
025	93500-040121H	SCREW, PAN, 4X12	4	
026	95002-02080	CLIP, TUBE (B8)	1	
027	95701-0603000	BOLT, FLANGE, 6X30	2	
028	95701-0606500	BOLT, FLANGE, 6X65	1	
029	95801-0609008	BOLT, FLANGE, 6X90	4	
029	95801-0609008	BOLT, FLANGE, 6X90	4	
030	99101-ZH80880	JET, MAIN, #88	(1)	
030	99101-ZH80880	JET, MAIN, #88	(1)	
030	99101-ZH80920	JET, MAIN, #92	(1)	
030	99101-ZH80920	JET, MAIN, #92	(1)	
030	99101-ZH80980	JET, MAIN, #98	1	
030	99101-ZH80980	JET, MAIN, #98	1	
031	99101-ZH80920	JET, MAIN, #92	(1)	BK01H A
031	99101-ZH80920	JET, MAIN, #92	(1)	
031	99101-ZH80980	JET, MAIN, #98	1	BK01H A
031	99101-ZH80980	JET, MAIN, #98	(1)	
031	99101-ZH81020	JET, MAIN, #102	1	
031	99101-ZH81020	JET, MAIN, #102	1	
032	99204-ZE20380	JET SET, PILOT, #38	2	
<u>Ref</u>	<u>Partnumber</u>	<u>Description</u>	<u>GX670</u>	<u>Serial Numbers</u>
032	99204-ZE20380	JET SET, PILOT, #38	2	BK01H A
033	16126-ZJ1-841	ARM, THROTTLE LINKAGE	1	



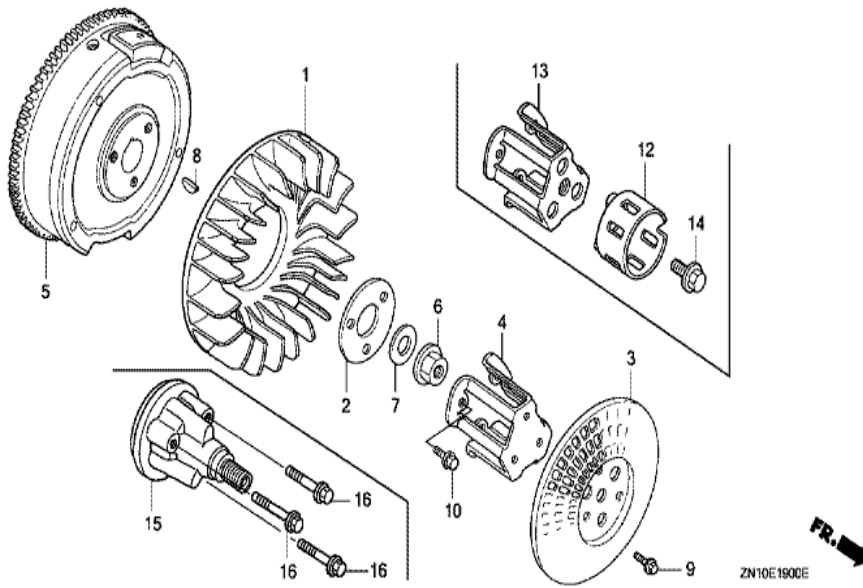
Ref	Partnumber	Description	GX670	Serial Numbers
004	18355-ZN1-003	ARRESTER, SPARK	(1)	
005	90009-ZJ1-801	SCREW (NELSON)	(1)	



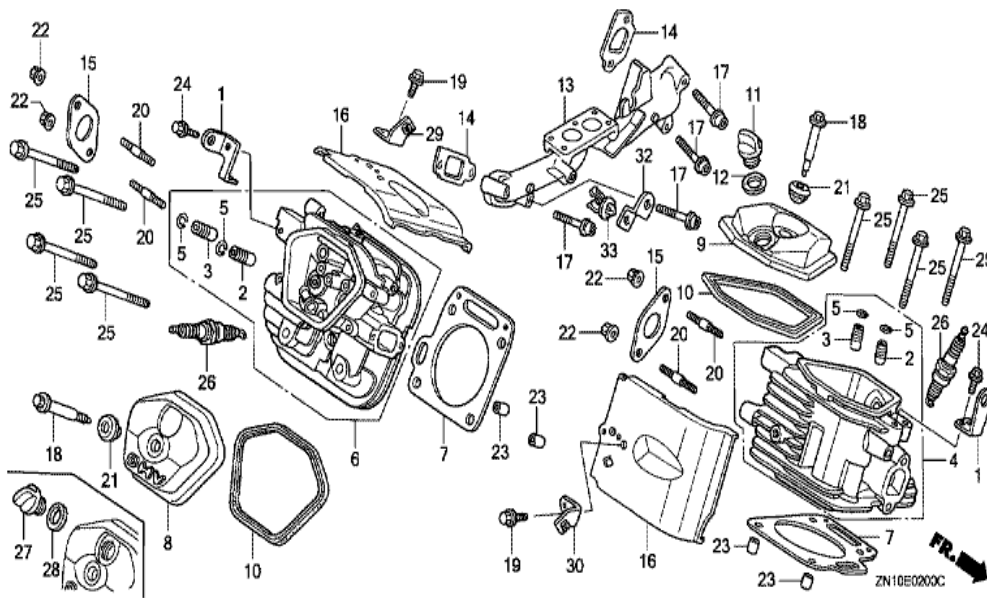
Ref	Partnumber	Description	GX670	Serial Numbers
004	18355-ZN1-003	ARRESTER, SPARK	(1)	1056805
005	90009-ZJ1-801	SCREW (NELSON)	(1)	1056805



<u>Ref</u>	<u>Partnumber</u>	<u>Description</u>	<u>GX670</u>	<u>Serial Numbers</u>
001	16700-ZL8-013	PUMP ASSY., FUEL	1	1016282
001	16700-ZL8-013	PUMP ASSY., FUEL	1	
002	16711-ZJ1-840	STAY, FUEL PUMP	1	1009898
003	16851-ZN1-000	TUBE, FUEL	1	1057441
003	16851-ZN1-000	TUBE, FUEL	1	
004	16852-ZJ1-840	TUBE B, FUEL	1	1057441
005	16882-ZJ1-840	TUBE, DIAPHRAGM	1	
006	16910-ZE8-015	STRAINER COMP., FUEL	1	1009898
007	19111-MF5-000	GROMMET, RESERVE TANK	1	
008	90014-952-000	BOLT, FLANGE, 6X14 (CT200)	1	1009898
009	90617-SA0-003	CLIP, WIRE HARNESS	2	
010	91601-ZJ1-840	GROMMET, PUMP STAY	1	1009898
011	93894-0601600	SCREW-WASHER, 6X16	2	1009898
<u>Ref</u>	<u>Partnumber</u>	<u>Description</u>	<u>GX670</u>	<u>Serial Numbers</u>
012	95002-02080	CLIP, TUBE (B8)	1	
013	95002-02100	CLIP, TUBE (B10)	2	1009898
013	95002-02100	CLIP, TUBE (B10)	2	
014	95002-50000	CLIP, TUBE (C9)	1	1009898
014	95002-50000	CLIP, TUBE (C9)	1	
015	95002-70000	CLIP, TUBE (C11)	1	1009898
016	95002-02100	CLIP, TUBE (B10)	1	
016	95002-02100	CLIP, TUBE (B10)	1	1018118

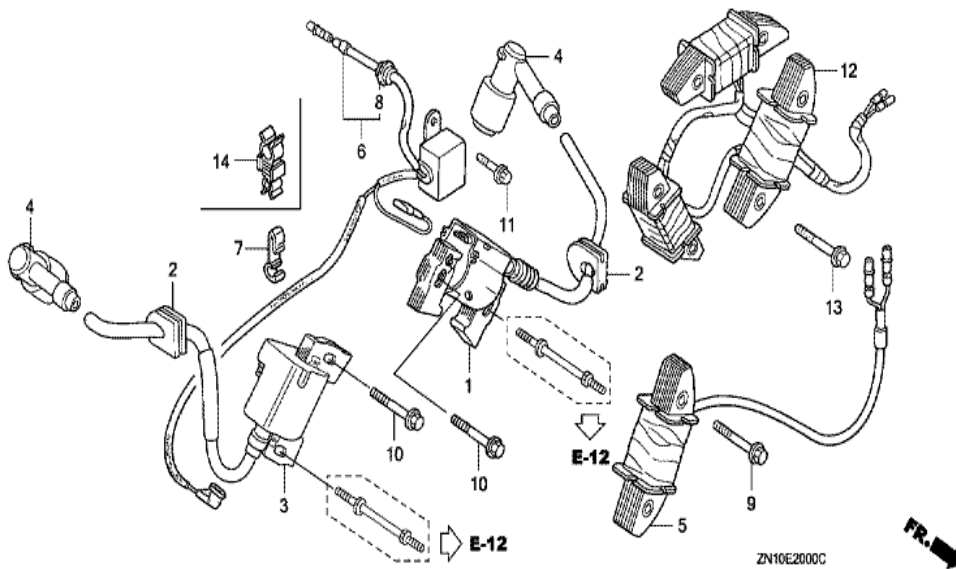


Ref	Partnumber	Description	GX670	Serial Numbers
001	19511-ZJ1-000	FAN, COOLING	1	
003	28452-ZJ1-801	GRID, SCREEN	1	
003	28452-ZJ1-801	GRID, SCREEN	1	
004	28454-ZJ1-801	HOLDER, SCREEN GRID	(1)	
005	31110-ZJ1-840	FLYWHEEL COMP.	1	
006	90201-ZG3-000	NUT, FLANGE, 20MM	1	
007	90401-ZG3-000	WASHER, 20MM	1	
008	90741-ZE2-000	KEY, SPECIAL WOODRUFF, 25X18	1	
009	95701-0601200	BOLT, FLANGE, 6X12	3	
010	95701-0801600	BOLT, FLANGE, 8X16	3	

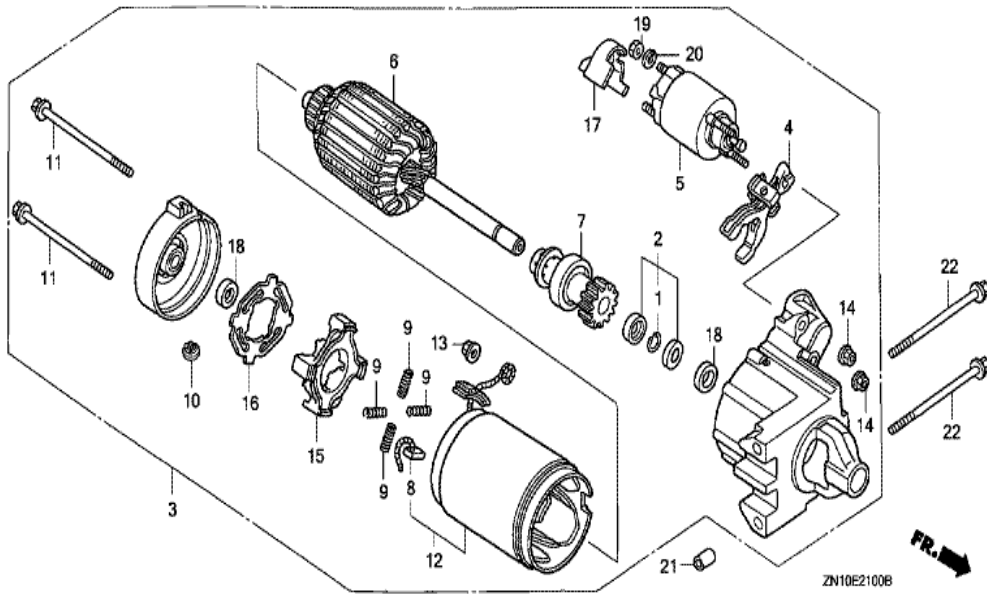


Ref	Partnumber	Description	GX670	Serial Numbers
001	11911-ZJ1-840	HANGER, ENGINE	2	
001	11911-ZJ1-840	HANGER, ENGINE	2	
002	12204-ZE2-306	GUIDE, IN. VALVE (O.S.)	2	
003	12205-ZJ1-405	GUIDE, EX. VALVE (O.S.)	2	
004	12210-ZJ1-406	HEAD COMP., CYLINDER (#1)	1	
004	12210-ZJ1-406	HEAD COMP., CYLINDER (#1)	1	
005	12216-ZE2-300	CLIP, VALVE GUIDE	4	
006	12220-ZJ1-405	HEAD COMP., CYLINDER (#2)	1	
006	12220-ZJ1-405	HEAD COMP., CYLINDER (#2)	1	
007	12251-ZJ1-841	GASKET, CYLINDER HEAD	2	
008	12311-ZJ1-840	COVER, HEAD	1	
009	12314-ZJ1-840	COVER, HEAD FILLER	1	
009	12314-ZJ1-840	COVER, HEAD FILLER	1	

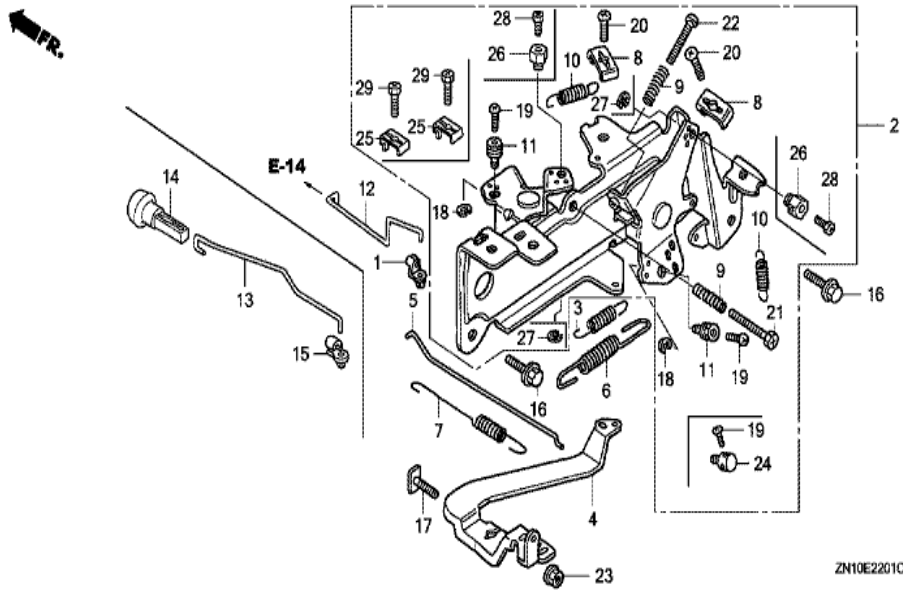
<u>Ref</u>	<u>Partnumber</u>	<u>Description</u>	<u>GX670</u>	<u>Serial Numbers</u>
010	12391-ZE2-020	PACKING, HEAD COVER	2	
011	15611-MB0-000	CAP, OIL FILLER	1	
012	15625-ZJ1-840	PACKING, OIL FILLER CAP	1	
013	17101-ZN1-000	MANIFOLD, INTAKE	1	
014	17151-ZJ1-841	GASKET, INTAKE MANIFOLD	2	
015	18333-ZE3-800	GASKET, EX. PIPE	2	
016	19682-ZJ1-840	SHROUD, HEAD	2	
017	90011-ZJ1-841	BOLT, SOCKET, 8X45	4	
018	90014-ZE2-000	BOLT, HEAD COVER	2	
019	90014-952-000	BOLT, FLANGE, 6X14 (CT200)	2	
020	90018-ZJ1-840	BOLT, STUD, 8X22	4	
021	90441-ZE2-010	WASHER COMP., HEAD COVER	2	
022	94050-08000	NUT, FLANGE, 8MM	4	
023	94301-12200	DOWEL PIN, 12X20	4	
024	95701-0802000	BOLT, FLANGE, 8X20	2	
025	95701-1008000	BOLT, FLANGE, 10X80	8	
025	95701-1008000	BOLT, FLANGE, 10X80	8	
026	98079-52876	PLUG, SPARK (BPR2ES) (NGK)	(2)	
026	98079-5485V	PLUG, SPARK (J14CR-U) (DENSO)	(2)	
026	98079-5485V	PLUG, SPARK (J14CR-U) (DENSO)	(2)	
026	98079-5487V	PLUG, SPARK (ZGR4A)	(2)	
026	98079-5487V	PLUG, SPARK (ZGR4A)	(2)	
026	98079-5585V	PLUG, SPARK (J16CR-U) (DENSO)	2	
026	98079-5585V	PLUG, SPARK (J16CR-U) (DENSO)	2	
026	98079-5587V	PLUG, SPARK (ZGR5A)	2	
026	98079-5587V	PLUG, SPARK (ZGR5A)	2	



<u>Ref</u>	<u>Partnumber</u>	<u>Description</u>	<u>GX670</u>	<u>Serial Numbers</u>
001	30500-ZJ1-843	COIL ASSY., IGNITION (BLACK) (200MM)	1	1035844 1038633
001	30500-ZJ1-843	COIL ASSY., IGNITION (BLACK) (200MM)	1	1038633
001	30500-ZJ1-844	COIL ASSY., IGNITION (BLACK) (200MM)	1	1055357
001	30500-ZJ1-844	COIL ASSY., IGNITION (BLACK) (200MM)	1	1038634
002	30518-ZJ1-000	GROMMET, HIGH TENSION CORD	2	
003	30550-ZJ1-843	COIL ASSY., IGNITION (GRAY) (215MM)	1	1035844 1038633
003	30550-ZJ1-843	COIL ASSY., IGNITION (GRAY) (215MM)	1	1038633
003	30550-ZJ1-844	COIL ASSY., IGNITION (GRAY) (215MM)	1	1055357
003	30550-ZJ1-844	COIL ASSY., IGNITION (GRAY) (215MM)	1	1038634
004	30700-ZJ1-841	CAP ASSY., NOISE SUPPRESSOR	2	
006	31740-ZJ1-861	DIODE ASSY., ENGINE STOP	1	1055418
006	31740-ZJ1-861	DIODE ASSY., ENGINE STOP	1	
007	32763-PA0-000	CLAMP, CORD	1	
<u>Ref</u>	<u>Partnumber</u>	<u>Description</u>	<u>GX670</u>	<u>Serial Numbers</u>
008	63312-ZA7-000	GROMMET, TOOL	1	
010	90031-ZE1-000	BOLT, FLANGE, 6X32	2	
011	95701-0600800	BOLT, FLANGE, 6X8	1	
012	31630-ZJ1-801	COIL ASSY., CHARGE (12V/20A)	1	1055358
013	90031-ZE1-000	BOLT, FLANGE, 6X32	6	
013	90031-ZE1-000	BOLT, FLANGE, 6X32	6	

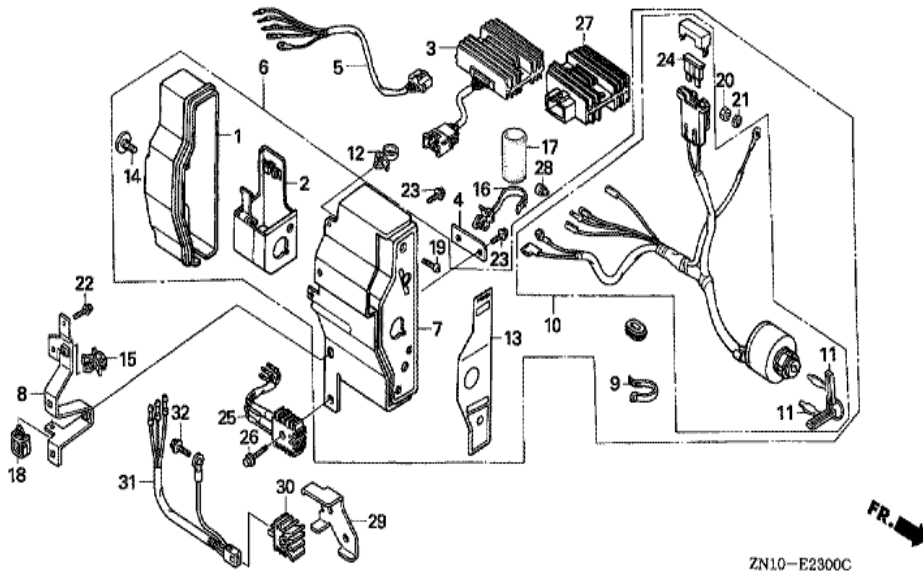


<u>Ref</u>	<u>Partnumber</u>	<u>Description</u>	<u>GX670</u>	<u>Serial Numbers</u>
001	30201-PH9-004	RING, SNAP (DENSO)	1	
002	30202-PZ1-003	COLLAR SET, CLUTCH STOP	1	
003	31200-ZJ1-841	MOTOR ASSY., STARTER	1	1055418
004	31203-PH9-004	LEVER, PINION DRIVE	1	
005	31204-ZJ1-H01	SWITCH ASSY., MAGNET	1	1055418
006	31206-ZG4-801	ARMATURE COMP.	1	
007	31207-ZJ1-H01	CLUTCH COMP., OVERRUNNING	1	
008	31211-PH9-004	BRUSH	4	
009	31212-PH9-004	SPRING, BRUSH	4	
010	31213-P64-N01	COVER	1	
011	31214-PH9-004	BOLT, THROUGH	2	
012	31218-P64-N01	YOKE COMP.	1	
012	31218-P64-N01	YOKE COMP.	1	
<u>Ref</u>	<u>Partnumber</u>	<u>Description</u>	<u>GX670</u>	<u>Serial Numbers</u>
013	31220-PH9-004	NUT, HEX., 8MM	1	
014	31223-PA0-006	NUT, HEX.	2	
015	31231-PH9-004	HOLDER, BRUSH	1	
016	31233-PH9-004	INSULATOR, BRUSH HOLDER	1	
017	31234-ZJ1-H01	COVER, TERMINAL	1	1055418
018	91002-ZG4-801	BEARING A	2	
019	94001-082000S	NUT, HEX., 8MM	1	
020	94111-08000	WASHER, SPRING, 8MM	1	
021	94301-10120	DOWEL PIN, 10X12	2	
022	95701-0811000	BOLT, FLANGE, 8X110	2	



ZN10E2201C

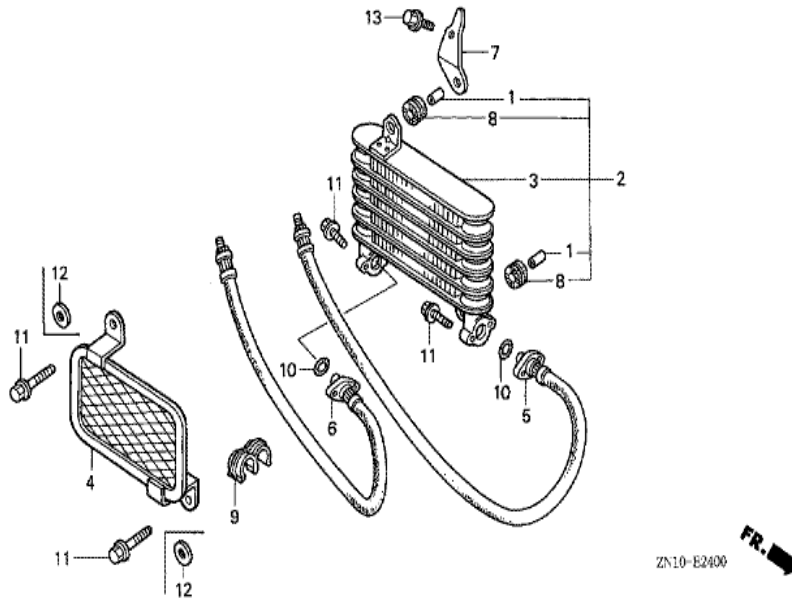
<u>Ref</u>	<u>Partnumber</u>	<u>Description</u>	<u>GX670</u>	<u>Serial Numbers</u>
001	16263-883-W10	JOINT, ROD	1	
002	16500-ZJ1-861	CONTROL ASSY.	1	
003	16534-ZN1-000	SPRING, STARTER	1	1054196
004	16551-ZJ1-840	ARM, GOVERNOR	1	
005	16555-ZN1-000	ROD, GOVERNOR	1	
006	16561-ZN1-000	SPRING, GOVERNOR	1	
007	16562-ZN1-000	SPRING, THROTTLE RETURN	1	
008	16576-891-000	HOLDER, CABLE	1	
008	16576-891-000	HOLDER, CABLE	2	
009	16584-883-300	SPRING, CONTROL ADJUSTING	2	
010	16592-ZJ1-000	SPRING, CABLE RETURN	2	
010	16592-ZJ1-000	SPRING, CABLE RETURN	2	
011	16594-883-010	HOLDER, WIRE	2	1001764
<u>Ref</u>	<u>Partnumber</u>	<u>Description</u>	<u>GX670</u>	<u>Serial Numbers</u>
011	16594-883-010	HOLDER, WIRE	1	1001765
012	16611-ZN1-000	ROD, CHOKE CONTROL	1	
016	90014-952-000	BOLT, FLANGE, 6X14 (CT200)	2	
017	90015-ZE3-790	BOLT, GOVERNOR ARM	1	
018	90605-230-000	CIRCLIP, 5MM	2	
018	90605-230-000	CIRCLIP, 5MM	2	
019	92301-040060H	BOLT, RECESSED, 4X6	2	
019	92301-040060H	BOLT, RECESSED, 4X6	2	
020	92301-050160A	BOLT, RECESSED, 5X16	2	
020	92301-050160A	BOLT, RECESSED, 5X16	2	
021	92301-050250A	BOLT, RECESSED, 5X25	1	
022	93500-050250A	SCREW, PAN, 5X25	1	
023	94050-06000	NUT, FLANGE, 6MM	1	
024	16617-ZJ1-840	HOLDER, CABLE	1	1001765



ZN10-E2300C



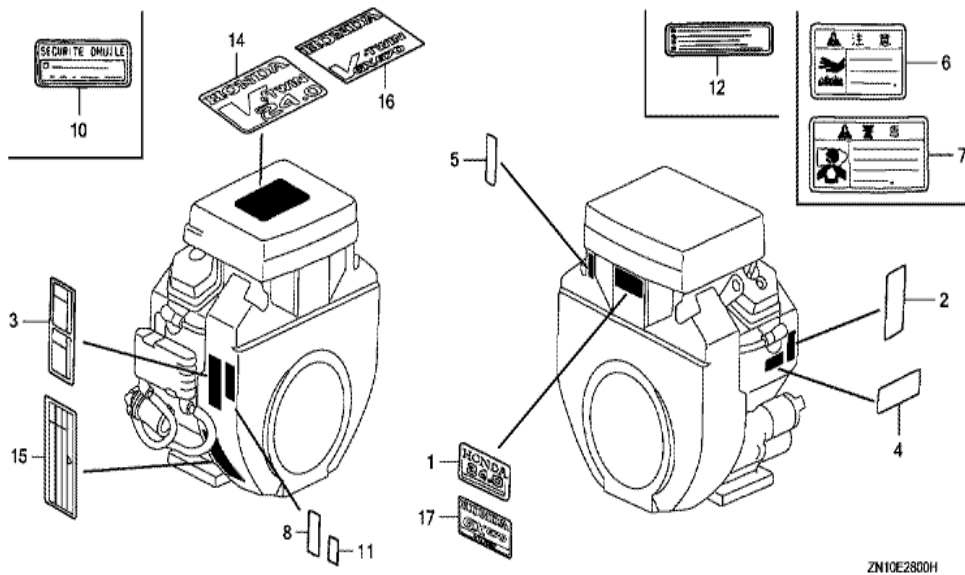
Ref	Partnumber	Description	GX670	Serial Numbers
003	31620-ZG5-013	RECTIFIER ASSY., REGULATOR (20A)	1	
005	32105-ZJ1-800	HARNESS ASSY., SUB WIRE	1	



ZN10-E2400

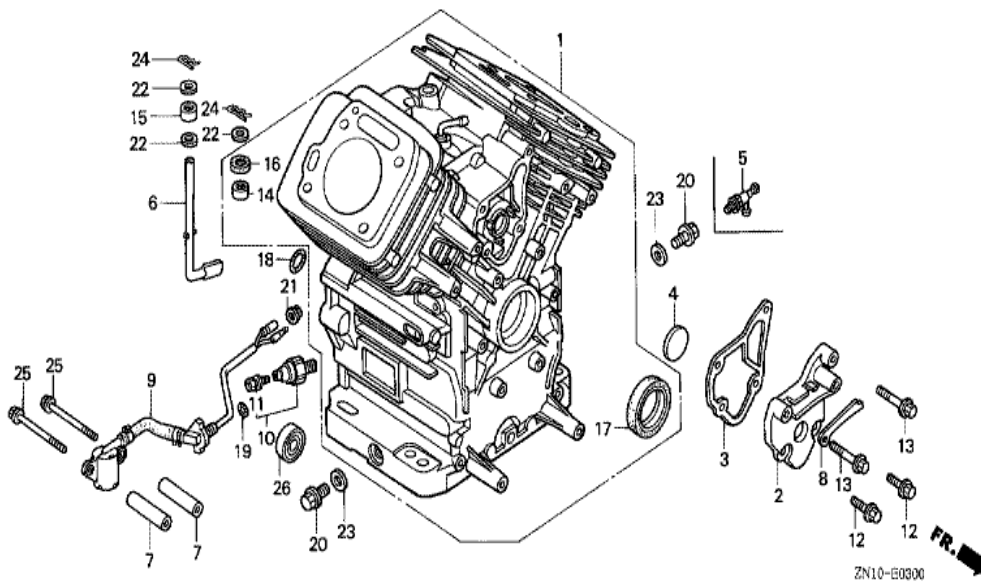


Ref	Partnumber	Description	GX670	Serial Numbers
001	11513-MN5-300	COLLAR, 12MM	2	
002	15605-ZN1-000	COOLER ASSY., OIL	1	
003	15610-ZN1-000	COOLER COMP., OIL	1	
004	15613-ZN1-000	GRILLE, OIL COOLER	1	
005	15614-ZN1-003	HOSE A, OIL	1	
006	15616-ZN1-003	HOSE B, OIL	1	
007	15676-ZN1-000	STAY, OIL COOLER	1	
008	19051-KA3-830	RUBBER, RADIATOR MOUNTING	2	
009	19314-PH6-000	CLAMP, HOSE (D13.5)	1	
010	91314-ME5-003	O-RING, 10X2.6 (ARAI)	2	
011	95701-0602200	BOLT, FLANGE, 6X22	6	
013	90014-952-000	BOLT, FLANGE, 6X14 (CT200)	1	

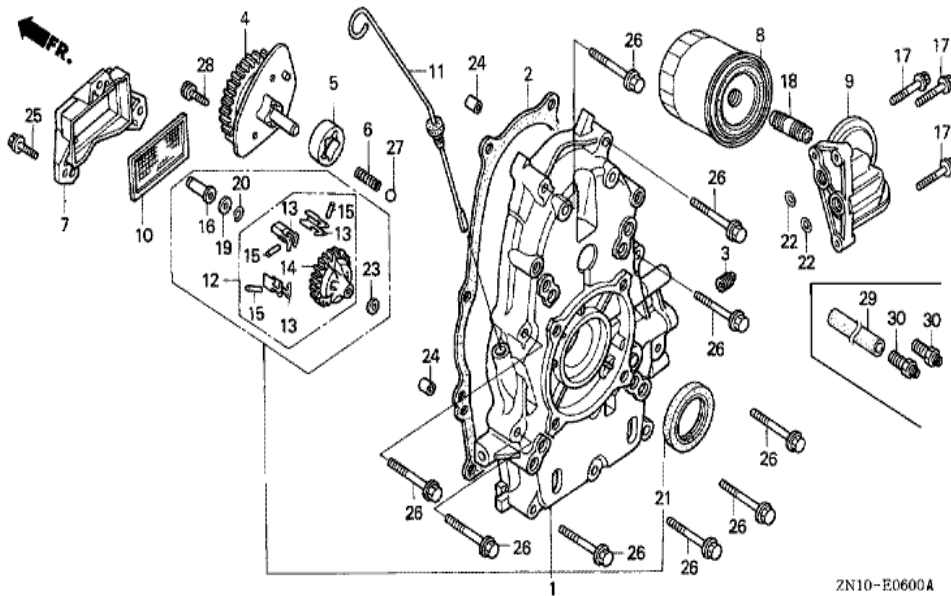


ZN10E2800H

Ref	Partnumber	Description	GX670	Serial Numbers
001	87101-ZN1-010	EMBLEM (24.0)	1	1015119
002	87152-ZN1-010	LABEL, SPECIFICATION (GX670)	1	1011625

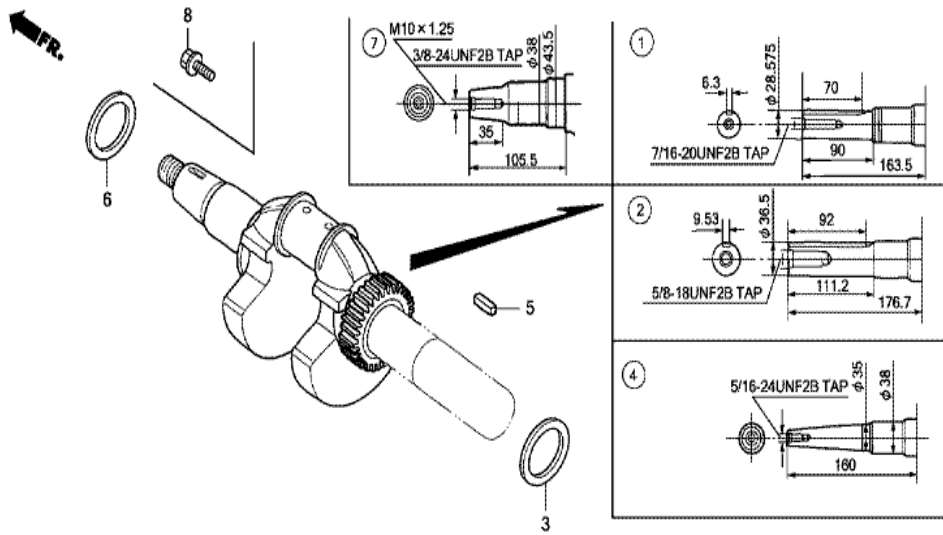


<u>Ref</u>	<u>Partnumber</u>	<u>Description</u>	<u>GX670</u>	<u>Serial Numbers</u>
001	12000-ZN1-405	BARREL ASSY., CYLINDER	1	
002	12356-ZJ1-000	COVER, BREATHER	1	
003	12358-ZJ1-000	PACKING, BREATHER COVER	1	
004	12372-ZE2-300	VALVE, BREATHER	1	
005	15558-ZJ1-003	VALVE, OIL SHUT-OFF	(1)	
006	16541-ZJ1-840	SHAFT, GOVERNOR ARM	1	
008	31511-ZJ1-000	CLAMPER, CORD	1	
010	37240-ZG3-E01	SWITCH, OIL PRESSURE	1	
011	90002-ZG5-004	SCREW-WASHER, 4X8	1	
012	90029-888-000	BOLT, FLANGE, 6X16 (CT200)	2	
013	90031-ZE1-000	BOLT, FLANGE, 6X32	2	
014	91001-ZJ1-841	BEARING, NEEDLE, 8X12.7X11.1	1	
015	91002-ZJ1-841	BEARING, NEEDLE, 8X12X10	1	
<u>Ref</u>	<u>Partnumber</u>	<u>Description</u>	<u>GX670</u>	<u>Serial Numbers</u>
016	91201-ZE9-003	OIL SEAL, 8X14X5	1	
017	91201-ZJ1-841	OIL SEAL, 38X58X9	1	
018	91302-MB6-830	O-RING, 13X3.0	1	
020	92800-14000	BOLT, DRAIN PLUG, 14MM	2	
022	94102-08800	WASHER, PLAIN, 8MM	3	
023	94109-14000	WASHER, DRAIN PLUG, 14MM	2	
024	94251-08000	PIN, LOCK, 8MM	2	
026	96140-6003010	BEARING, RADIAL BALL, 6003	1	



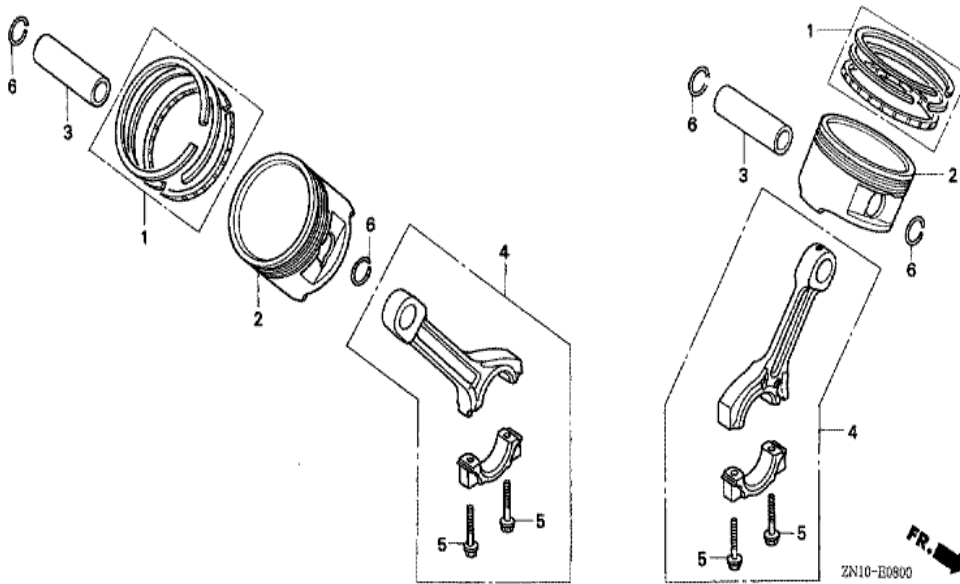
ZN10-E0600A

<u>Ref</u>	<u>Partnumber</u>	<u>Description</u>	<u>GX670</u>	<u>Serial Numbers</u>
001	11300-ZJ1-841	COVER ASSY., CRANKCASE	1	1010255
002	11381-ZJ1-840	GASKET, CASE COVER	1	
004	15120-ZJ1-000	COVER ASSY., OIL PUMP (TWO BOLTS)	1	1054661
005	15124-ZJ1-003	ROTOR, OIL PUMP OUTER	1	
006	15232-ZJ1-000	SPRING, RELIEF VALVE	1	
007	15348-ZJ1-840	COVER, OIL FILTER	1	
008	15400-ZJ1-004	CARTRIDGE, OIL FILTER (TOYO ROKI)	1	
008	15400-ZJ1-004	CARTRIDGE, OIL FILTER (TOYO ROKI)	1	
009	15411-ZN1-000	BASE, OIL FILTER	1	
010	15427-ZJ1-000	SCREEN, OIL FILTER	1	
011	15655-ZJ1-861	GAUGE COMP., OIL LEVEL	1	
011	15655-ZJ1-861	GAUGE COMP., OIL LEVEL	1	
012	16510-ZJ1-840	GOVERNOR ASSY.	1	
<u>Ref</u>	<u>Partnumber</u>	<u>Description</u>	<u>GX670</u>	<u>Serial Numbers</u>
013	16511-ZJ1-840	WEIGHT, GOVERNOR	3	
014	16512-ZJ1-840	HOLDER, GOVERNOR WEIGHT	1	
015	16513-ZE2-000	PIN, GOVERNOR WEIGHT	3	
016	16531-Z0A-000	SLIDER, GOVERNOR	1	
017	90015-883-000	BOLT, FLANGE, 6X28 (CT200)	3	
018	90018-PN3-000	HOLDER, OIL FILTER	1	
019	90473-147-000	WASHER, 6X16	1	
020	90602-ZE1-000	CLIP, GOVERNOR HOLDER	1	
021	91202-ZJ1-841	OIL SEAL, 38X58X9	1	
022	91302-ZE9-003	O-RING, 11.8X2.4	2	
023	94101-06800	WASHER, PLAIN, 6MM	1	
024	94301-08140	DOWEL PIN, 8X14	2	
025	95701-0602000	BOLT, FLANGE, 6X20	3	
026	95701-0805000	BOLT, FLANGE, 8X50	9	
027	96211-12000	BALL, STEEL, #12 (3/8)	1	
028	96600-0601600	BOLT, SOCKET, 6X16	2	1054661

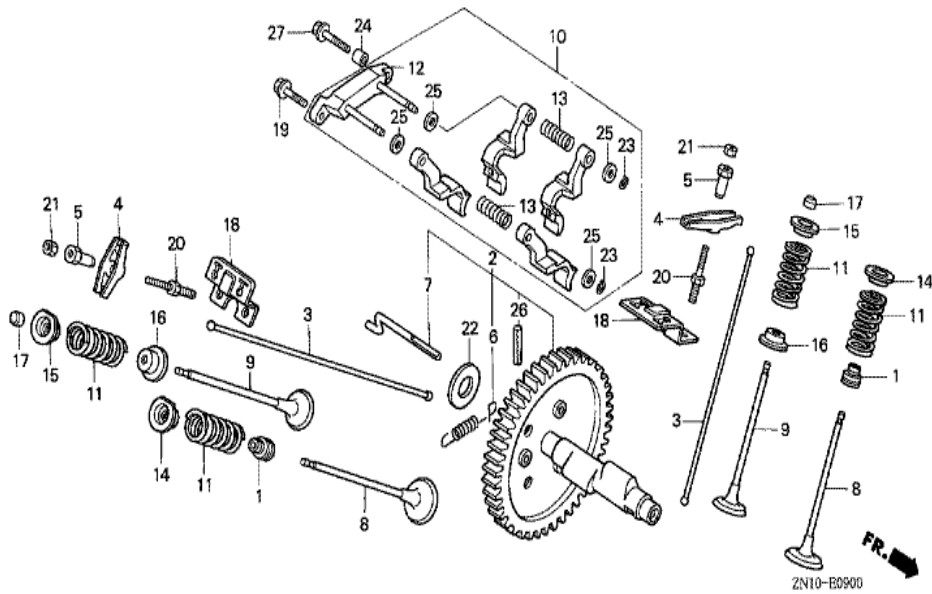


ZN10E0700C

Ref	Partnumber	Description	GX670	Serial Numbers
003	90401-ZJ1-000	WASHER, CRANKSHAFT THRUST (38.5X54.0X1.0	1	
007	13310-ZN1-U40	CRANKSHAFT COMP.	1	



Ref	Partnumber	Description	GX670	Serial Numbers
001	13010-ZJ1-841	RING SET, PISTON (STD.) (NIPPON)	2	
001	13011-ZJ1-841	RING SET, PISTON (0.25) (NIPPON)	(2)	
001	13012-ZJ1-841	RING SET, PISTON (0.50) (NIPPON)	(2)	
001	13013-ZJ1-841	RING SET, PISTON (0.75) (NIPPON)	(2)	
002	13101-ZN1-000	PISTON (STD.)	2	1055984
002	13102-ZN1-000	PISTON (0.25)	(2)	
002	13103-ZN1-000	PISTON (0.50)	(2)	
002	13104-ZN1-000	PISTON (0.75)	(2)	
003	13111-ZJ1-840	PIN, PISTON	2	
004	13200-ZN1-003	ROD ASSY., CONNECTING	2	
005	90001-ZN1-000	BOLT, CONNECTING ROD, 6X37	4	
006	94601-18000	CLIP, PISTON PIN, 18MM	4	



<u>Ref</u>	<u>Partnumber</u>	<u>Description</u>	<u>GX670</u>	<u>Serial Numbers</u>
001	12209-ZE8-003	SEAL, VALVE STEM	2	
002	14100-ZJ1-842	CAMSHAFT ASSY.	1	
003	14410-ZJ1-840	ROD, PUSH	4	
004	14431-ZE2-010	ARM, VALVE ROCKER	4	
005	14451-ZE1-013	PIVOT, ROCKER ARM	4	
006	14568-ZJ1-841	SPRING, WEIGHT RETURN	1	
007	14576-ZJ1-840	PIN, DECOMPER	1	
008	14711-ZE3-000	VALVE, IN.	2	
009	14721-ZE3-000	VALVE, EX.	2	
010	14730-ZJ1-841	LIFTER ASSY., VALVE	1	1055847
011	14751-ZE2-003	SPRING, VALVE	4	
012	14760-ZJ1-840	SHAFT COMP., VALVE LIFTER	1	
013	14764-ZJ1-840	SPRING, VALVE LIFTER	2	
<u>Ref</u>	<u>Partnumber</u>	<u>Description</u>	<u>GX670</u>	<u>Serial Numbers</u>
014	14771-ZE2-000	RETAINER, IN. VALVE SPRING	2	
015	14773-ZE2-000	RETAINER, EX. VALVE SPRING	2	
015	14773-ZE2-000	RETAINER, EX. VALVE SPRING	2	
016	14775-ZE2-010	SEAT, VALVE SPRING	2	
017	14781-ZE2-000	ROTATOR, VALVE	2	
018	14791-ZE2-010	GUIDE, PUSH ROD	2	
019	90005-896-000	BOLT, FLANGE, 5X16	1	
020	90012-ZE0-010	BOLT, PIVOT, 8MM	4	
021	90206-ZE1-000	NUT, PIVOT ADJUSTING	4	
022	90446-357-000	WASHER, THRUST, 17.2MM	1	
023	90602-ZE1-000	CLIP, GOVERNOR HOLDER	2	
024	90702-GB6-910	DOWEL PIN, 8X12	1	
025	94101-06800	WASHER, PLAIN, 6MM	4	
026	94305-60282	PIN, SPRING, 6X28	1	
027	95701-0602500	BOLT, FLANGE, 6X25	1	