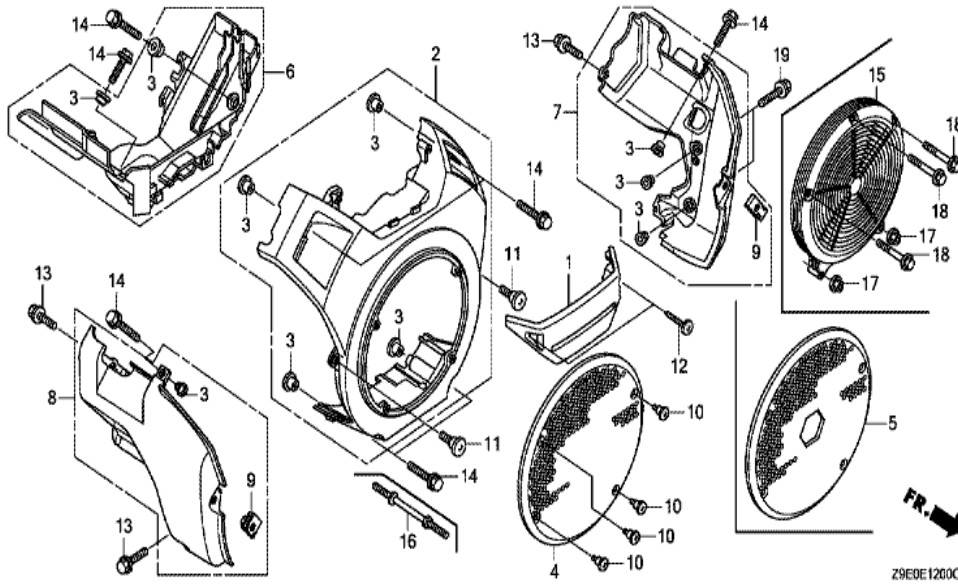


GX630R(VZA)

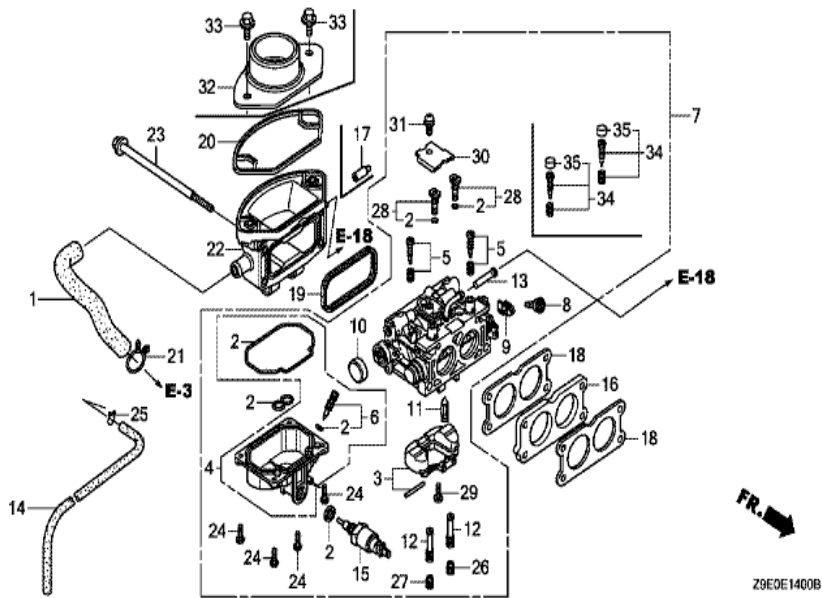
E-12 FAN COVER



Z9E0E1260C

| <u>Ref</u> | <u>Partnumber</u> | <u>Description</u> | <u>GX630R</u> | <u>Serial Numbers</u> |
|------------|-------------------|-------------------------|---------------|-----------------------|
| 001 | 16715-Z6L-000 | COVER, FUEL PUMP | 1 | |
| 002 | 19610-Z6L-000ZA | COVER COMP., FAN *R280* | 1 | |
| 002 | 19610-Z6L-000ZB | COVER COMP., FAN *NH1* | 1 | |
| 002 | 19610-Z6L-000ZB | COVER COMP., FAN *NH1* | 1 | |
| 003 | 19619-Z0A-300 | COLLAR, FAN COVER | 10 | |
| 004 | 19621-Z6L-000 | PROTECTOR, FAN COVER | 1 | |
| 006 | 19631-Z6L-000 | SHROUD, UPPER | 1 | |
| 007 | 19641-Z6L-000 | SHROUD, R. LOWER | 1 | |
| 008 | 19642-Z6L-000 | SHROUD, L. LOWER | 1 | |
| 009 | 84601-HA7-670 | NUT, FENDER SETTING | 2 | |
| 010 | 90005-Z6L-000 | SCREW, SPECIAL, 4X10 | 4 | |
| 011 | 90380-GM9-740 | SCREW, SPECIAL, 6X15 | 2 | |
| 012 | 93913-25580 | SCREW, TAPPING, 5X20 | 2 | |
| <u>Ref</u> | <u>Partnumber</u> | <u>Description</u> | <u>GX630R</u> | <u>Serial Numbers</u> |
| 013 | 95701-0601600 | BOLT, FLANGE, 6X16 | 3 | |
| 014 | 95701-0602000 | BOLT, FLANGE, 6X20 | 8 | |
| 014 | 95701-0602000 | BOLT, FLANGE, 6X20 | 8 | |
| 019 | 95701-0602000 | BOLT, FLANGE, 6X20 | 2 | |

| | |
|-------------|-----------------|
| GX630R(VZA) | E-14 CARBURETOR |
|-------------|-----------------|



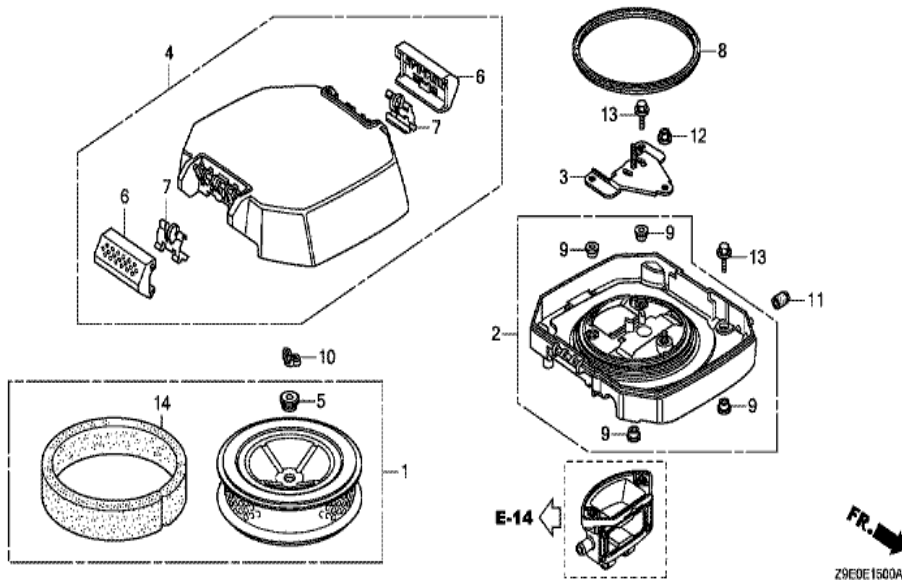
Z9E0E1400B

| Ref | Partnumber | Description | GX630R | Serial Numbers |
|-----|---------------|----------------------------|--------|-----------------|
| 001 | 15721-Z6L-000 | TUBE, BREATHER | 1 | |
| 002 | 16010-Z6L-003 | GASKET SET | 1 | |
| 003 | 16013-Z6L-003 | FLOAT SET | 1 | |
| 004 | 16015-Z6L-003 | CHAMBER SET, FLOAT | 1 | |
| 005 | 16016-Z6L-003 | SCREW SET | 2 | BK07A A |
| 005 | 16016-Z6L-003 | SCREW SET | 2 | BK07A A |
| 006 | 16024-124-760 | SCREW SET, DRAIN | 1 | |
| 007 | 16100-Z9E-003 | CARBURETOR ASSY. (BK07A A) | 1 | |
| 007 | 16100-Z9E-003 | CARBURETOR ASSY. (BK07A A) | 1 | |
| 007 | 16100-Z9E-003 | CARBURETOR ASSY. (BK07A A) | 1 | 1031792 |
| 007 | 16100-Z9E-003 | CARBURETOR ASSY. (BK07A A) | 1 | 1031792 |
| 007 | 16100-Z9E-013 | CARBURETOR ASSY. (BK07A B) | 1 | 1031793 1041143 |
| 007 | 16100-Z9E-013 | CARBURETOR ASSY. (BK07A B) | 1 | 1031793 1041143 |

| <u>Ref</u> | <u>Partnumber</u> | <u>Description</u> | <u>GX630R</u> | <u>Serial Numbers</u> |
|------------|-------------------|----------------------------|---------------|-----------------------|
| 007 | 16100-Z9E-023 | CARBURETOR ASSY. (BK07A C) | 1 | 1041144 |
| 007 | 16100-Z9E-023 | CARBURETOR ASSY. (BK07A C) | 1 | 1041144 |
| 008 | 16124-ZE0-005 | SCREW, THROTTLE STOP | 1 | |
| 009 | 16126-Z6L-003 | ARM, THROTTLE LINKAGE | 1 | |
| 010 | 16148-141-881 | CAP, CHOKE DUST | 1 | |
| 011 | 16155-Z6L-003 | VALVE COMP., FLOAT | 1 | |
| 012 | 16166-Z8N-003 | NOZZLE, MAIN | 2 | |
| 012 | 16166-Z8N-003 | NOZZLE, MAIN | 2 | |
| 012 | 16166-Z8N-003 | NOZZLE, MAIN | 2 | BK07A B |
| 012 | 16166-Z9E-003 | NOZZLE, MAIN | 2 | BK07A C |
| 013 | 16176-Z2G-D51 | SCREEN, FUEL STRAINER | 1 | |
| 014 | 16198-Z6L-000 | TUBE, DRAIN | 1 | |
| 015 | 16200-Z6L-003 | VALVE ASSY., SOLENOID | 1 | |
| 016 | 16211-Z6L-000 | INSULATOR, CARBURETOR | 1 | |
| 018 | 16221-Z6L-000 | PACKING, CARBURETOR | 2 | |
| 019 | 17228-Z6L-000 | PACKING, AIR CLEANER | 1 | |
| 020 | 17229-Z6L-000 | SEAL, AIR CLEANER CASE | 1 | |
| 021 | 17369-KB4-670 | CLIP, BREATHER TUBE | 1 | |
| 022 | 17410-Z6L-000 | ELBOW COMP., AIR CLEANER | 1 | |
| 023 | 90003-Z6L-000 | BOLT, FLANGE, 6X106 | 4 | |
| 024 | 93500-040121H | SCREW, PAN, 4X12 | 4 | |
| 025 | 95002-02080 | CLIP, TUBE (B8) | 1 | |
| 026 | 99101-ZH80900 | JET, MAIN, #90 | (1) | |
| 026 | 99101-ZH80900 | JET, MAIN, #90 | (1) | BK07A B |
| 026 | 99101-ZH80950 | JET, MAIN, #95 | (1) | |
| 026 | 99101-ZH80950 | JET, MAIN, #95 | (1) | |
| 026 | 99101-ZH80950 | JET, MAIN, #95 | (1) | BK07A B |
| 026 | 99101-ZH80980 | JET, MAIN, #98 | (1) | BK07A C |
| 026 | 99101-ZH80980 | JET, MAIN, #98 | (1) | BK07A C |
| 026 | 99101-ZH81020 | JET, MAIN, #102 | 1 | |
| 026 | 99101-ZH81020 | JET, MAIN, #102 | 1 | |
| 026 | 99101-ZH81020 | JET, MAIN, #102 | 1 | |
| 026 | 99101-ZH81020 | JET, MAIN, #102 | 1 | BK07A B |

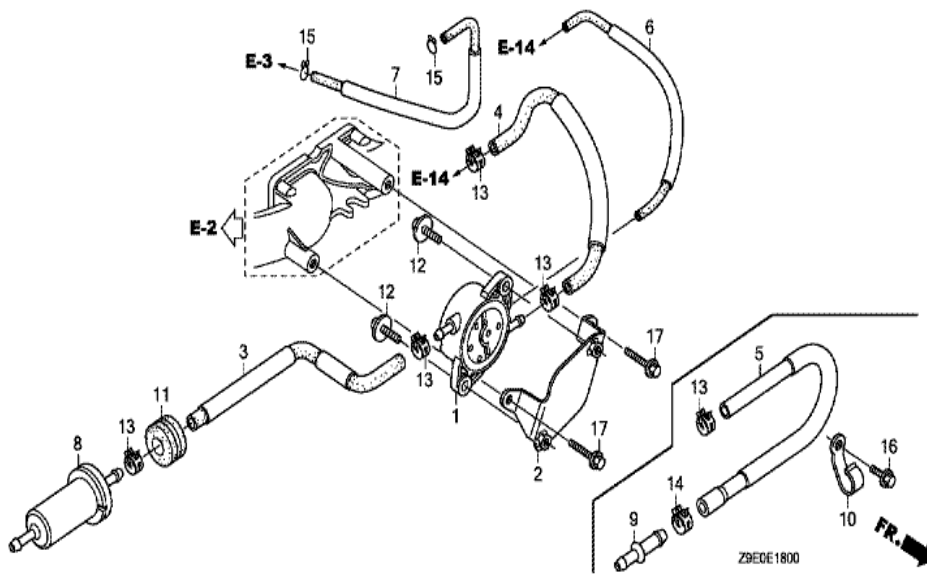
| <u>Ref</u> | <u>Partnumber</u> | <u>Description</u> | <u>GX630R</u> | <u>Serial Numbers</u> |
|------------|-------------------|----------------------|---------------|-----------------------|
| 026 | 99101-ZH81020 | JET, MAIN, #102 | (1) | BK07A C |
| 026 | 99101-ZH81020 | JET, MAIN, #102 | 1 | BK07A B |
| 026 | 99101-ZH81020 | JET, MAIN, #102 | (1) | BK07A C |
| 026 | 99101-ZH81100 | JET, MAIN, #110 | 1 | BK07A C |
| 026 | 99101-ZH81100 | JET, MAIN, #110 | 1 | BK07A C |
| 027 | 99101-ZH80920 | JET, MAIN, #92 | (1) | |
| 027 | 99101-ZH80920 | JET, MAIN, #92 | (1) | BK07A B |
| 027 | 99101-ZH80980 | JET, MAIN, #98 | (1) | |
| 027 | 99101-ZH80980 | JET, MAIN, #98 | (1) | |
| 027 | 99101-ZH80980 | JET, MAIN, #98 | (1) | BK07A C |
| 027 | 99101-ZH80980 | JET, MAIN, #98 | (1) | |
| 027 | 99101-ZH81020 | JET, MAIN, #102 | (1) | |
| 027 | 99101-ZH81020 | JET, MAIN, #102 | (1) | BK07A C |
| 027 | 99101-ZH81050 | JET, MAIN, #105 | 1 | |
| 027 | 99101-ZH81050 | JET, MAIN, #105 | 1 | |
| 027 | 99101-ZH81050 | JET, MAIN, #105 | 1 | BK07A B |
| 027 | 99101-ZH81050 | JET, MAIN, #105 | 1 | BK07A B |
| 027 | 99101-ZH81050 | JET, MAIN, #105 | 1 | BK07G B |
| 027 | 99101-ZH81100 | JET, MAIN, #110 | 1 | BK07A C |
| 027 | 99101-ZH81100 | JET, MAIN, #110 | 1 | BK07A C |
| 028 | 99204-ZE20400 | JET SET, PILOT, #40 | 2 | |
| 029 | 16081-Z6L-003 | SCREW, FLOAT | 1 | |
| 030 | 16113-Z6L-003 | PLATE | 1 | |
| 031 | 93892-0501018 | SCREW-WASHER, 5X10 | 1 | |
| 034 | 16016-Z6L-801 | SCREW SET | 2 | BK07A B |
| 035 | 16134-Z6L-801 | CAP, ADJUSTING SCREW | 2 | BK07A B |

| | |
|-------------|------------------|
| GX630R(VZA) | E-15 AIR CLEANER |
|-------------|------------------|



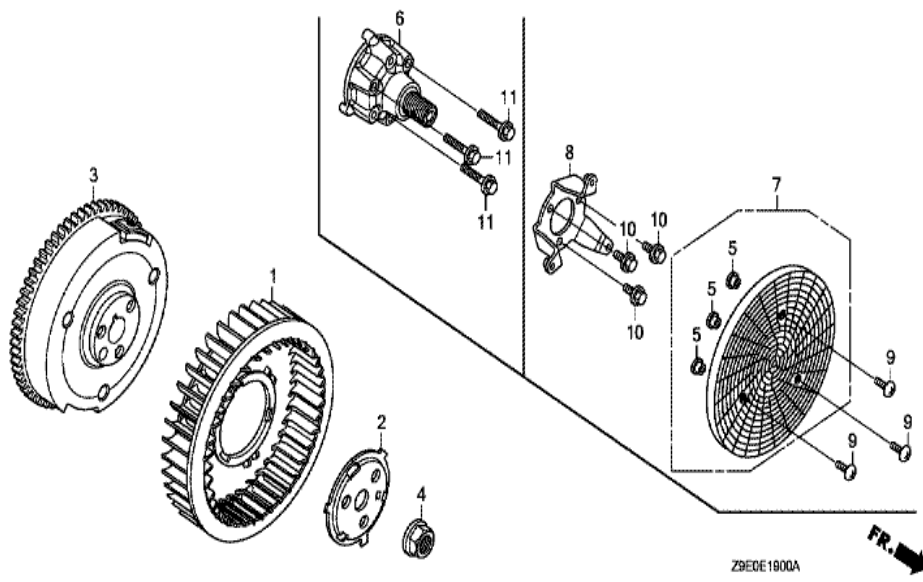
| <u>Ref</u> | <u>Partnumber</u> | <u>Description</u> | <u>GX630R</u> | <u>Serial Numbers</u> |
|------------|-------------------|---------------------------------|---------------|-----------------------|
| 001 | 17210-Z6L-010 | ELEMENT COMP., AIR CLEANER | 1 | |
| 001 | 17210-Z6L-010 | ELEMENT COMP., AIR CLEANER | 1 | |
| 002 | 17220-Z6L-000 | CASE COMP., AIR CLEANER | 1 | |
| 003 | 17223-Z6L-000 | STAY COMP., AIR CLEANER ELEMENT | 1 | |
| 004 | 17230-Z6L-000 | COVER COMP., AIR CLEANER | 1 | |
| 005 | 17232-Z2E-000 | GROMMET, AIR CLEANER | 1 | |
| 006 | 17235-Z6L-300 | KNOB, AIR CLEANER COVER | 2 | |
| 007 | 17236-Z6L-300 | SPRING, AIR CLEANER CASE COVER | 2 | |
| 008 | 17417-Z6L-000 | PACKING, AIR CLEANER CASE | 1 | |
| 009 | 19619-Z0A-300 | COLLAR, FAN COVER | 4 | |
| 010 | 90325-044-000 | NUT, TOOL BOX SETTING | 1 | |
| 011 | 90802-Z6L-000 | CAP, SEALING | 1 | |
| 012 | 94050-06000 | NUT, FLANGE, 6MM | 1 | |
| <u>Ref</u> | <u>Partnumber</u> | <u>Description</u> | <u>GX630R</u> | <u>Serial Numbers</u> |
| 013 | 95701-0601800 | BOLT, FLANGE, 6X18 | 4 | |
| 014 | 17218-Z6L-000 | FILTER, OUTER | 1 | |

| | |
|-------------|----------------|
| GX630R(VZA) | E-18 FUEL PUMP |
|-------------|----------------|



| <u>Ref</u> | <u>Partnumber</u> | <u>Description</u> | <u>GX630R</u> | <u>Serial Numbers</u> |
|------------|-------------------|--------------------------|---------------|-----------------------|
| 001 | 16700-Z6L-003 | PUMP ASSY., FUEL | 1 | |
| 002 | 16711-Z6L-000 | STAY, FUEL PUMP | 1 | |
| 003 | 16850-Z6L-000 | TUBE COMP. A, FUEL (FKM) | 1 | 1015411 |
| 003 | 16850-Z6L-000 | TUBE COMP. A, FUEL (FKM) | 1 | 1015411 |
| 003 | 16850-Z6L-010 | TUBE COMP. A, FUEL (FKM) | 1 | 1015412 |
| 003 | 16850-Z6L-010 | TUBE COMP. A, FUEL (FKM) | 1 | 1015412 |
| 004 | 16860-Z6L-000 | TUBE COMP. B, FUEL (FKM) | 1 | |
| 006 | 16870-Z6L-000 | TUBE, PURGE | 1 | |
| 007 | 16882-Z6L-000 | TUBE, DIAPHRAGM | 1 | |
| 008 | 16910-Z6L-003 | STRAINER COMP., FUEL | 1 | |
| 011 | 80152-958-680 | RUBBER, RR. FENDER | 1 | |
| 012 | 93894-0601600 | SCREW-WASHER, 6X16 | 2 | |
| 013 | 95002-4100008 | CLAMP, TUBE (D10) | 3 | |
| <u>Ref</u> | <u>Partnumber</u> | <u>Description</u> | <u>GX630R</u> | <u>Serial Numbers</u> |
| 013 | 95002-4100008 | CLAMP, TUBE (D10) | 4 | |
| 013 | 95002-4100008 | CLAMP, TUBE (D10) | 4 | |
| 015 | 95002-70000 | CLIP, TUBE (C11) | 2 | |
| 017 | 95701-0601400 | BOLT, FLANGE, 6X14 | 2 | |

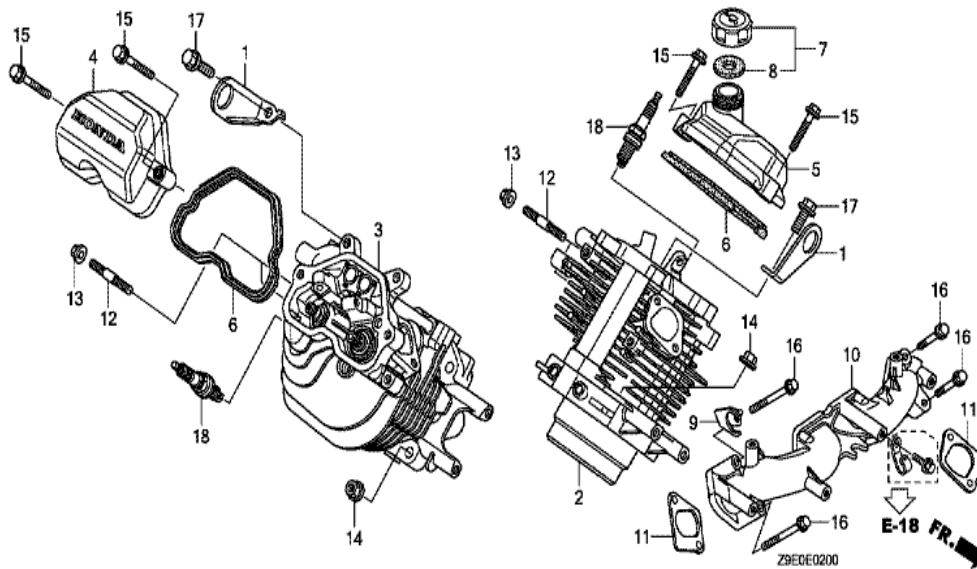
| | |
|-------------|---------------|
| GX630R(VZA) | E-19 FLYWHEEL |
|-------------|---------------|



| Ref | Partnumber | Description | GX630R | Serial Numbers |
|-----|---------------|----------------------------|--------|----------------|
| 001 | 19511-Z6L-000 | FAN, COOLING | 1 | |
| 002 | 19513-Z6L-000 | PLATE, COOLING FAN SETTING | 1 | |
| 003 | 31110-Z6L-003 | FLYWHEEL COMP. | 1 | |
| 004 | 90201-Z6L-000 | NUT, SPECIAL (20MM) | 1 | |

GX630R(VZA)

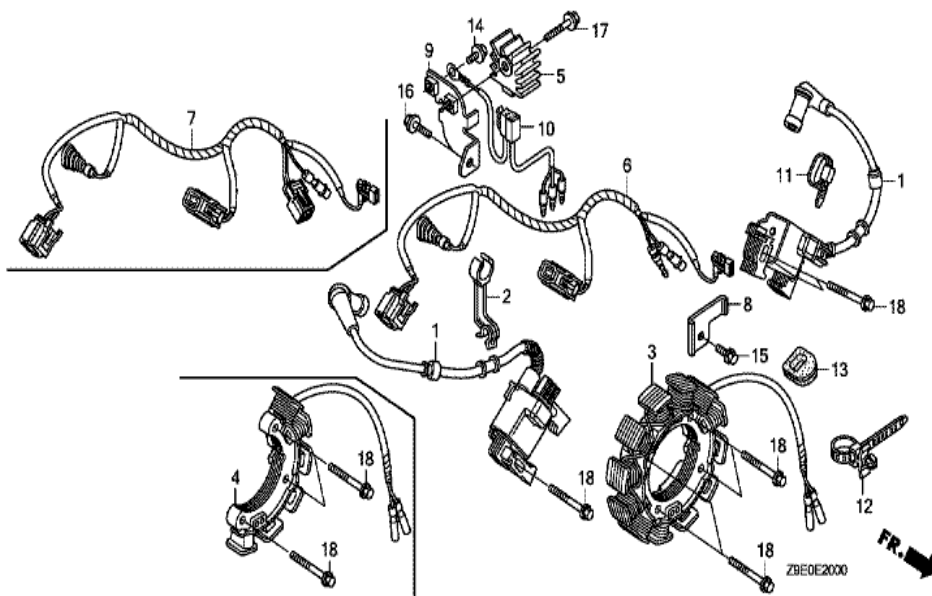
E-2 CYLINDER HEAD



| Ref | Partnumber | Description | GX630R | Serial Numbers |
|-----|---------------|---------------------------|--------|----------------|
| 001 | 11911-Z6L-000 | HANGER, ENGINE | 2 | |
| 002 | 12110-Z6L-000 | HEAD COMP., CYLINDER (#1) | 1 | 1040054 |
| 002 | 12110-Z6L-010 | HEAD COMP., CYLINDER (#1) | 1 | 1040055 |
| 003 | 12120-Z6L-000 | HEAD COMP., CYLINDER (#2) | 1 | 1040054 |
| 003 | 12120-Z6L-010 | HEAD COMP., CYLINDER (#2) | 1 | 1040055 |
| 004 | 12311-Z6L-000 | COVER, CYLINDER HEAD | 1 | |
| 005 | 12311-Z6L-800 | COVER, CYLINDER HEAD | 1 | |
| 006 | 12312-Z6L-000 | PACKING, HEAD COVER | 2 | |
| 007 | 15600-Z6L-000 | CAP ASSY., OIL FILLER | 1 | |
| 008 | 15625-Z6L-000 | PACKING, OIL FILLER CAP | 1 | |
| 009 | 16722-Z6L-000 | STAY, FUEL TUBE GROMMET | 1 | 1040054 |
| 009 | 16722-Z6L-010 | STAY, FUEL TUBE GROMMET | 1 | 1040055 |
| 010 | 17101-Z6L-000 | MANIFOLD, INTAKE | 1 | 1040054 |
| Ref | Partnumber | Description | GX630R | Serial Numbers |
| 010 | 17101-Z6L-010 | MANIFOLD, INTAKE | 1 | 1040055 |
| 011 | 17151-Z6L-000 | PACKING, INTAKE MANIFOLD | 2 | 1040054 |
| 011 | 17151-Z6L-010 | PACKING, INTAKE MANIFOLD | 1 | 1040055 |
| 012 | 92900-080220E | BOLT, STUD, 8X22 | 4 | |
| 013 | 94050-08000 | NUT, FLANGE, 8MM | 4 | |
| 014 | 94050-10000 | NUT, FLANGE, 10MM | 8 | |
| 015 | 95701-0603000 | BOLT, FLANGE, 6X30 | 4 | |
| 016 | 90006-Z6L-000 | BOLT, FLANGE, 8X55 | 4 | 1040055 |
| 016 | 95701-0605000 | BOLT, FLANGE, 6X50 | 4 | |
| 016 | 95701-0605000 | BOLT, FLANGE, 6X50 | 4 | |
| 016 | 95701-0605000 | BOLT, FLANGE, 6X50 | 4 | |
| 016 | 95701-0605000 | BOLT, FLANGE, 6X50 | 4 | 1040054 |
| 017 | 95701-0801600 | BOLT, FLANGE, 8X16 | 2 | |
| 018 | 98079-5587G | PLUG, SPARK (ZFR5F) | 2 | |
| 018 | 98079-5587G | PLUG, SPARK (ZFR5F) | 2 | |

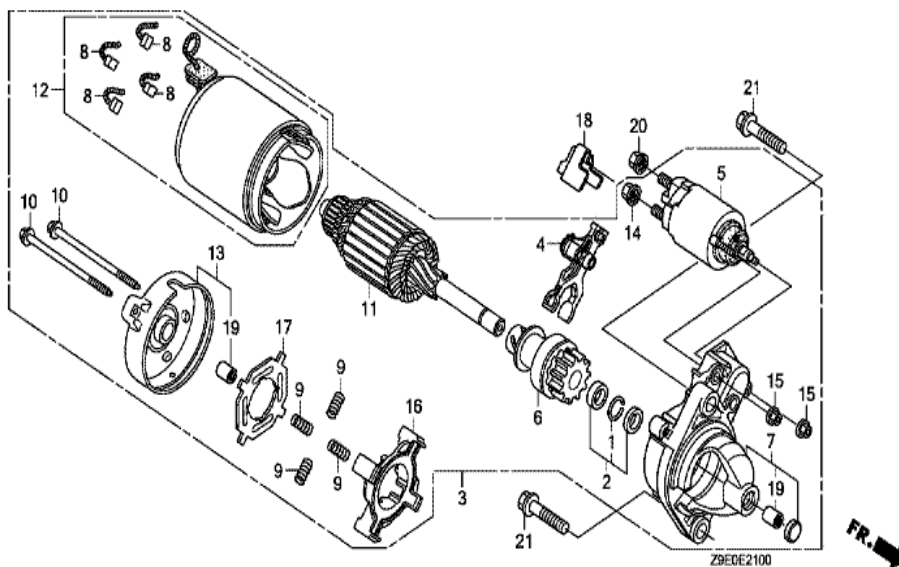
GX630R(VZA)

E-20 IGNITION COIL



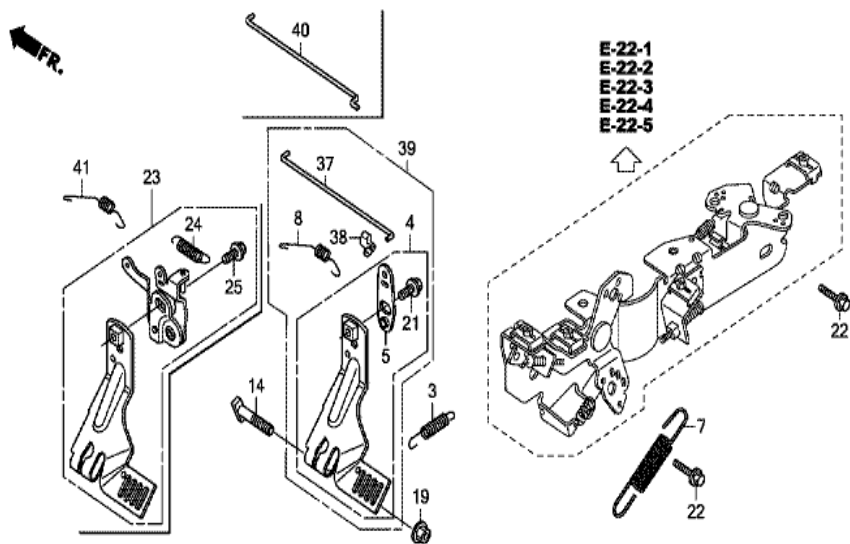
| <u>Ref</u> | <u>Partnumber</u> | <u>Description</u> | <u>GX630R</u> | <u>Serial Numbers</u> |
|------------|-------------------|------------------------------------|---------------|-----------------------|
| 001 | 30500-Z6L-003 | COIL ASSY., IGNITION | 2 | |
| 002 | 30551-Z6L-000 | CLAMP, HIGH TENSION CORD | 1 | |
| 004 | 31630-Z6L-801 | COIL ASSY., CHARGE (2.7A) | 1 | |
| 005 | 31750-735-013 | RECTIFIER COMP., REGULATOR (5A) | 1 | |
| 007 | 32110-Z6L-810 | HARNESS ASSY., ENGINE WIRE | 1 | |
| 008 | 32114-Z6L-000 | BRACKET, HARNESS | 1 | |
| 009 | 32115-Z6L-000 | BRACKET, REGULATOR RECTIFIER | 1 | |
| 010 | 32183-Z6L-000 | HARNESS ASSY., REGULATOR RECTIFIER | 1 | |
| 011 | 90650-KV6-003 | BAND, WIRE, 95MM | 1 | |
| 013 | 91601-Z6L-000 | GROMMET, CORD | 1 | |
| 014 | 95701-0600800 | BOLT, FLANGE, 6X8 | 1 | |
| 015 | 95701-0601200 | BOLT, FLANGE, 6X12 | 1 | |
| 016 | 95701-0601400 | BOLT, FLANGE, 6X14 | 1 | |
| <u>Ref</u> | <u>Partnumber</u> | <u>Description</u> | <u>GX630R</u> | <u>Serial Numbers</u> |
| 017 | 95701-0603000 | BOLT, FLANGE, 6X30 | 1 | |
| 018 | 95701-0603200 | BOLT, FLANGE, 6X32 | 7 | |
| 018 | 95701-0603200 | BOLT, FLANGE, 6X32 | 7 | |

| | |
|-------------|--------------------|
| GX630R(VZA) | E-21 STARTER MOTOR |
|-------------|--------------------|



| <u>Ref</u> | <u>Partnumber</u> | <u>Description</u> | <u>GX630R</u> | <u>Serial Numbers</u> |
|------------|-------------------|-----------------------------|---------------|-----------------------|
| 001 | 30201-PH9-004 | RING, SNAP (DENSO) | 1 | |
| 002 | 30202-PZ1-003 | COLLAR SET, CLUTCH STOP | 1 | |
| 003 | 31200-Z6L-003 | MOTOR ASSY., STARTER | 1 | |
| 004 | 31203-PH9-004 | LEVER, PINION DRIVE | 1 | |
| 005 | 31204-ZJ1-H02 | SWITCH ASSY., MAGNET | 1 | |
| 006 | 31207-ZE9-H01 | CLUTCH COMP., OVERRUNNING | 1 | |
| 007 | 31208-Z6L-003 | HOUSING COMP., DRIVE SIDE | 1 | |
| 008 | 31211-PH9-004 | BRUSH | 4 | |
| 009 | 31212-PH9-004 | SPRING, BRUSH | 4 | |
| 010 | 31214-PH9-004 | BOLT, THROUGH | 2 | |
| 011 | 31217-Z0A-003 | ARMATURE COMP. | 1 | |
| 012 | 31218-P64-N01 | YOKE COMP. | 1 | |
| 013 | 31219-Z6L-003 | FRAME COMP., COMMUTATOR END | 1 | |
| <u>Ref</u> | <u>Partnumber</u> | <u>Description</u> | <u>GX630R</u> | <u>Serial Numbers</u> |
| 014 | 31220-PH9-004 | NUT, HEX., 8MM | 1 | |
| 015 | 31223-PA0-006 | NUT, HEX. | 2 | |
| 016 | 31231-PH9-004 | HOLDER, BRUSH | 1 | |
| 017 | 31233-PH9-004 | INSULATOR, BRUSH HOLDER | 1 | |
| 018 | 31234-Z6L-000 | COVER, TERMINAL | 1 | |
| 019 | 91002-ZG4-801 | BEARING A | 2 | |
| 020 | 94070-08080 | NUT-WASHER, 8MM | 1 | |
| 021 | 95701-1004000 | BOLT, FLANGE, 10X40 | 2 | |

| | |
|-------------|-------------------|
| GX630R(VZA) | E-22 GOVERNOR ARM |
|-------------|-------------------|



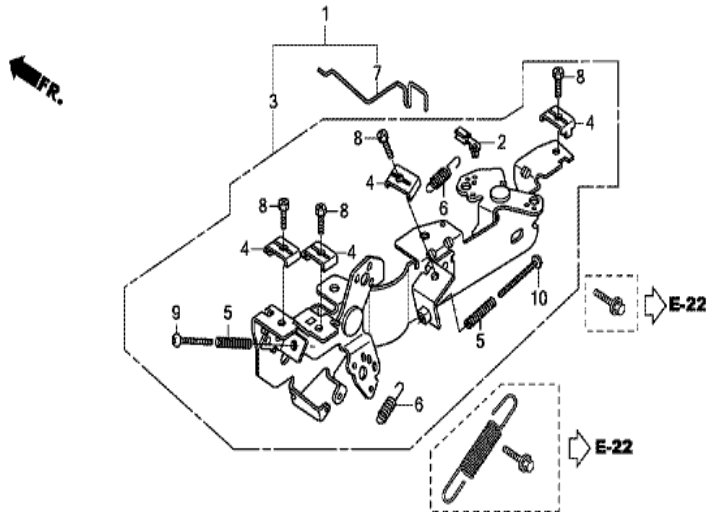
Z9E0E2200H

| Ref | Partnumber | Description | GX630R | Serial Numbers |
|-----|---------------|---------------------|--------|-----------------|
| 001 | 16263-Z0G-010 | JOINT, ROD | 1 | |
| 002 | 16500-Z6L-000 | CONTROL ASSY. | 1 | |
| 002 | 16500-Z6L-000 | CONTROL ASSY. | 1 | 1000804 |
| 002 | 16500-Z6L-010 | CONTROL ASSY. | 1 | 1000442 |
| 002 | 16500-Z6L-010 | CONTROL ASSY. | 1 | 1000804 |
| 003 | 16534-Z6L-000 | SPRING, STARTER | 1 | |
| 004 | 16550-Z6L-000 | ARM COMP., GOVERNOR | 1 | |
| 004 | 16550-Z6L-000 | ARM COMP., GOVERNOR | 1 | 1004873 |
| 004 | 16550-Z6L-010 | ARM COMP., GOVERNOR | 1 | 1004874 1036758 |
| 004 | 16550-Z6L-020 | ARM COMP., GOVERNOR | 1 | 1036759 |
| 005 | 16553-Z6L-000 | ARM, SUB | 1 | |
| 005 | 16553-Z6L-010 | ARM, SUB | 1 | 1036759 |
| 006 | 16555-Z6L-000 | ROD, GOVERNOR | 1 | |

| <u>Ref</u> | <u>Partnumber</u> | <u>Description</u> | <u>GX630R</u> | <u>Serial Numbers</u> | |
|------------|-------------------|---------------------------|---------------|-----------------------|---------|
| 007 | 16561-Z6L-000 | SPRING, GOVERNOR | 1 | | |
| 008 | 16562-Z6L-000 | SPRING, THROTTLE RETURN | 1 | | |
| 008 | 16562-Z6L-010 | SPRING, THROTTLE RETURN | 1 | 1036759 | |
| 009 | 16576-891-000 | HOLDER, CABLE | 2 | | |
| 009 | 16576-891-000 | HOLDER, CABLE | 2 | | |
| 010 | 16584-883-300 | SPRING, CONTROL ADJUSTING | 1 | | |
| 010 | 16584-883-300 | SPRING, CONTROL ADJUSTING | 2 | | |
| 011 | 16592-ZJ1-000 | SPRING, CABLE RETURN | 2 | | |
| 012 | 16611-Z6L-000 | ROD, CHOKE CONTROL | 1 | | |
| 013 | 16617-Z6L-000 | HOLDER, CABLE | 1 | | |
| 014 | 90015-ZE3-790 | BOLT, GOVERNOR ARM | 1 | | |
| 015 | 92301-040060H | BOLT, RECESSED, 4X6 | 1 | | |
| 016 | 92301-050160A | BOLT, RECESSED, 5X16 | 2 | | |
| 016 | 92301-050160A | BOLT, RECESSED, 5X16 | 2 | | |
| 017 | 93500-050300A | SCREW, PAN, 5X30 | 1 | | |
| 018 | 93500-050400A | SCREW, PAN, 5X40 | 1 | | |
| 018 | 93500-050450A | SCREW, PAN, 5X45 | 1 | | |
| 018 | 93500-050450A | SCREW, PAN, 5X45 | 1 | | |
| 019 | 94050-06000 | NUT, FLANGE, 6MM | 1 | | |
| 020 | 94540-05018 | E-RING, 5MM | 1 | | |
| 021 | 95701-0601000 | BOLT, FLANGE, 6X10 | 1 | | |
| 022 | 95701-0601400 | BOLT, FLANGE, 6X14 | 2 | | |
| 028 | 16500-Z6L-830 | CONTROL ASSY. | 1 | | 1004564 |
| 028 | 16500-Z6L-830 | CONTROL ASSY. | 1 | 1000805 | 1004564 |
| 028 | 16500-Z6L-831 | CONTROL ASSY. | 1 | 1001592 | |
| 028 | 16500-Z6L-831 | CONTROL ASSY. | 1 | 1004565 | |
| 029 | 16576-891-000 | HOLDER, CABLE | 2 | | |
| 031 | 16617-Z6L-000 | HOLDER, CABLE | 1 | | |
| 031 | 16617-Z6L-000 | HOLDER, CABLE | 1 | 1000805 | |
| 032 | 92301-040060H | BOLT, RECESSED, 4X6 | 1 | | |
| 032 | 92301-040060H | BOLT, RECESSED, 4X6 | 1 | 1000805 | |
| 034 | 92301-050160A | BOLT, RECESSED, 5X16 | 2 | | |
| 035 | 94540-05018 | E-RING, 5MM | 1 | | |
| <u>Ref</u> | <u>Partnumber</u> | <u>Description</u> | <u>GX630R</u> | <u>Serial Numbers</u> | |
| 035 | 94540-05018 | E-RING, 5MM | 1 | 1000805 | |
| 037 | 16555-Z6L-010 | ROD, GOVERNOR | 1 | 1036759 | |
| 038 | 17957-Z6L-003 | BUSH, LINKAGE | 1 | 1036759 | |
| 039 | 04102-Z6L-000 | ARM KIT, GOVERNOR | 1 | | 1005199 |
| 039 | 04102-Z6L-000 | ARM KIT, GOVERNOR | 1 | | 1036758 |

GX630R(VZA)

E-22-1 CONTROL (1)

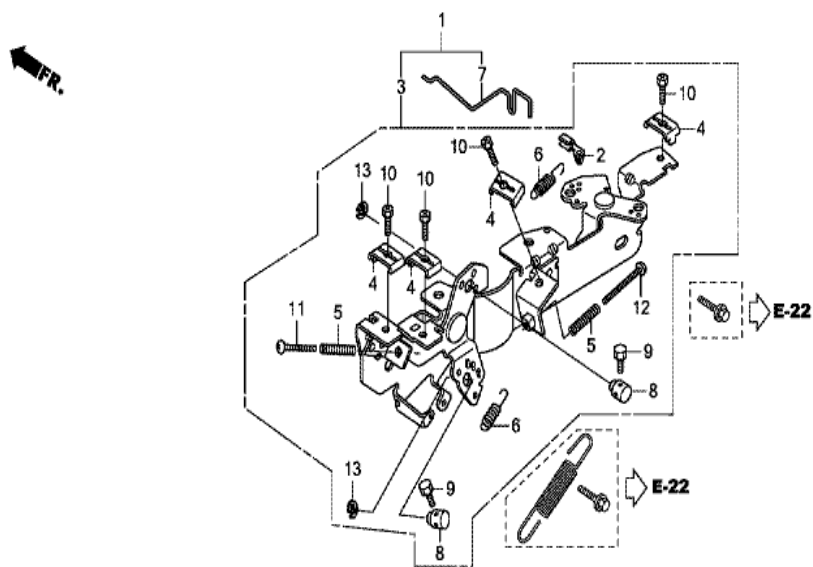


Z9E0E2201

| Ref | Partnumber | Description | GX630R | Serial Numbers |
|-----|---------------|---------------------------|--------|----------------|
| 002 | 16263-Z0G-010 | JOINT, ROD | 1 | 1000804 |
| 003 | 16500-Z6L-010 | CONTROL ASSY. | 1 | 1000804 |
| 004 | 16576-891-000 | HOLDER, CABLE | 4 | 1000804 |
| 005 | 16584-883-300 | SPRING, CONTROL ADJUSTING | 2 | 1000804 |
| 006 | 16592-ZJ1-000 | SPRING, CABLE RETURN | 2 | 1000804 |
| 007 | 16611-Z6L-000 | ROD, CHOKE CONTROL | 1 | 1000804 |
| 008 | 92301-050160A | BOLT, RECESSED, 5X16 | 4 | 1000804 |
| 009 | 93500-050300A | SCREW, PAN, 5X30 | 1 | 1000804 |
| 010 | 93500-050450A | SCREW, PAN, 5X45 | 1 | 1000804 |

GX630R(VZA)

E-22-5 CONTROL (5)

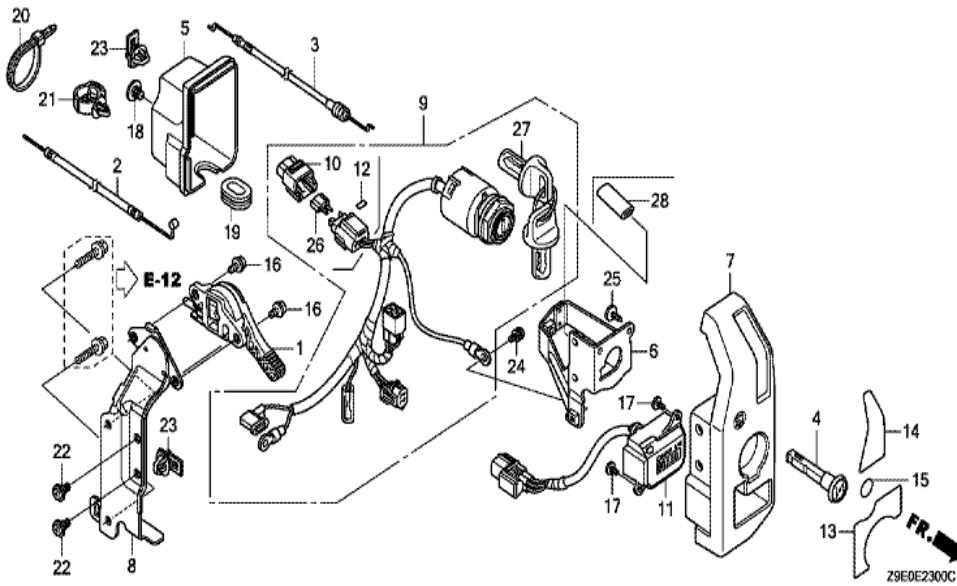


Z9E0E2205

| Ref | Partnumber | Description | GX630R | Serial Numbers |
|-----|---------------|---------------------------|--------|-----------------|
| 001 | 04101-Z6L-830 | CONTROL KIT | 1 | 1000805 1004892 |
| 002 | 16263-Z0G-010 | JOINT, ROD | 1 | 1000805 |
| 003 | 16500-Z6L-832 | CONTROL ASSY. | 1 | 1004893 |
| 004 | 16576-891-000 | HOLDER, CABLE | 4 | 1000805 |
| 005 | 16584-883-300 | SPRING, CONTROL ADJUSTING | 2 | 1000805 |
| 006 | 16592-ZJ1-000 | SPRING, CABLE RETURN | 2 | 1000805 |
| 007 | 16611-Z6L-010 | ROD, CHOKE CONTROL | 1 | 1004893 |
| 008 | 16617-Z6L-000 | HOLDER, CABLE | 2 | 1000805 |
| 009 | 92301-040060H | BOLT, RECESSED, 4X6 | 2 | 1000805 |
| 010 | 92301-050160A | BOLT, RECESSED, 5X16 | 4 | 1000805 |
| 011 | 93500-050300A | SCREW, PAN, 5X30 | 1 | 1000805 |
| 012 | 93500-050450A | SCREW, PAN, 5X45 | 1 | 1000805 |
| 013 | 94540-05018 | E-RING, 5MM | 2 | 1000805 |

GX630R(VZA)

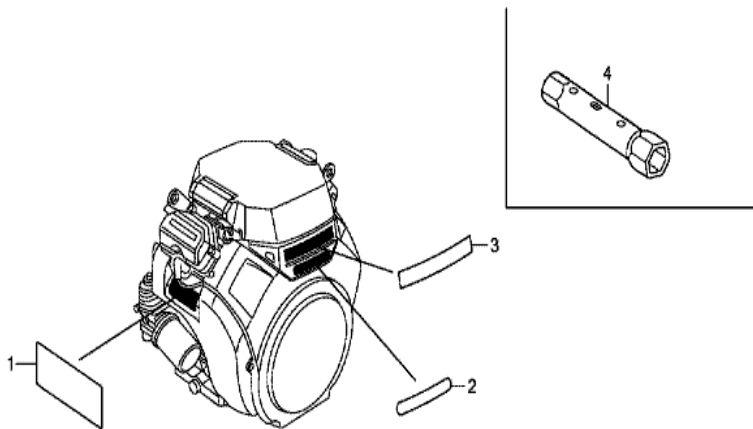
E-23 CONTROL BOX



| Ref | Partnumber | Description | GX630R | Serial Numbers |
|------------|-------------------|-------------------------------------|---------------|-----------------------|
| 001 | 17850-Z6L-003 | LEVER ASSY., THROTTLE | 1 | |
| 002 | 17910-Z6L-000 | CABLE COMP., THROTTLE | 1 | |
| 003 | 17950-Z6L-000 | CABLE COMP., CHOKE | 1 | |
| 004 | 17951-ZV1-000 | KNOB, CHOKE | 1 | |
| 005 | 31612-Z6L-000 | COVER, CONTROL | 1 | |
| 006 | 31614-Z6L-000 | BRACKET, SWITCH BOX | 1 | |
| 007 | 32346-Z6L-000 | PANEL, CONTROL | 1 | |
| 008 | 32347-Z6L-000 | BRACKET, CONTROL BOX | 1 | |
| 009 | 35100-Z6L-003 | SWITCH ASSY., COMBINATION | 1 | |
| 010 | 38216-Z2E-003 | COVER ASSY., FUSE | 1 | |
| 011 | 39700-Z6L-003 | METER ASSY., HOUR | 1 | |
| 012 | 87117-Z2E-800 | LABEL, FUSE (30A) | 1 | |
| 013 | 87501-Z6L-000 | MARK, ENGINE SWITCH | 1 | |
| <u>Ref</u> | <u>Partnumber</u> | <u>Description</u> | <u>GX630R</u> | <u>Serial Numbers</u> |
| 014 | 87502-Z6L-000 | MARK, THROTTLE SWITCH | 1 | |
| 016 | 90011-Z0H-811 | BOLT, SOCKET, 5X9 | 2 | |
| 017 | 90101-SP1-003 | SCREW, TAPPING, 3X8 (PO) | 2 | |
| 018 | 90380-MB2-000 | SCREW, SPECIAL, 6X8 | 1 | |
| 019 | 90601-Z6L-000 | GROMMET, CONTROL BOX | 1 | |
| 020 | 90650-KV6-003 | BAND, WIRE, 95MM | 1 | |
| 021 | 90681-763-A01 | CLIP, WIRE HARNESS | 1 | |
| 022 | 91508-GN2-000 | SCREW, PAN, 5X10.5 | 2 | |
| 023 | 91565-SEL-003 | CLIP, COUPLER (BLACK) | 2 | |
| 024 | 93893-0500807 | SCREW-WASHER, 5X8 | 1 | |
| 025 | 93913-25310 | SCREW, TAPPING, 5X14 (PO) | 1 | |
| 026 | 98200-43000 | FUSE, MINI (30A) | 1 | |
| 027 | 35110-ZV5-V50 | KEY ASSY., COMBINATION SWITCH (W05) | 2 | |

GX630R(VZA)

E-28 LABEL/TOOL

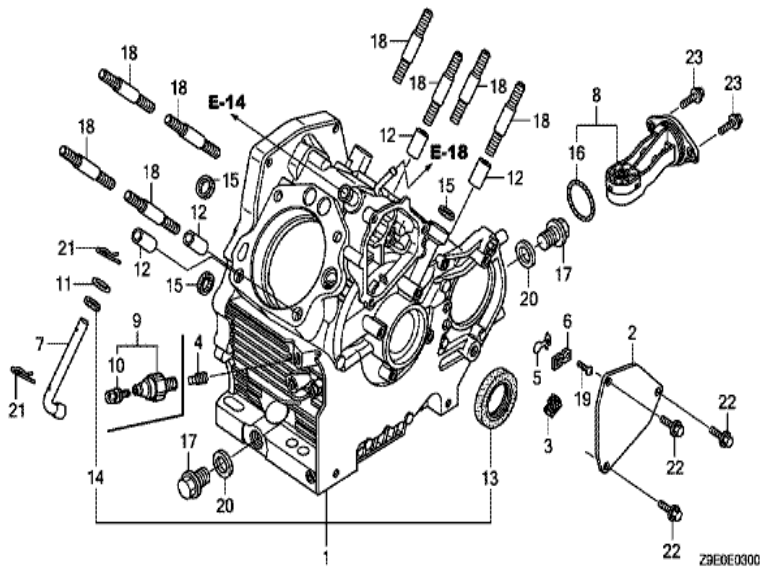


Z9E0E2800

| Ref | Partnumber | Description | GX630R | Serial Numbers |
|-----|---------------|--|--------|----------------|
| 001 | 87516-ZH7-010 | MARK, OPERATOR CAUTION (ENGLISH) (MADE I | 1 | |
| 002 | 87521-Z6N-000 | EMBLEM (GX630) | 1 | |
| 002 | 87521-Z6N-000 | EMBLEM (GX630) | 1 | |
| 003 | 87531-Z6L-000 | MARK, HONDA | 1 | |

GX630R(VZA)

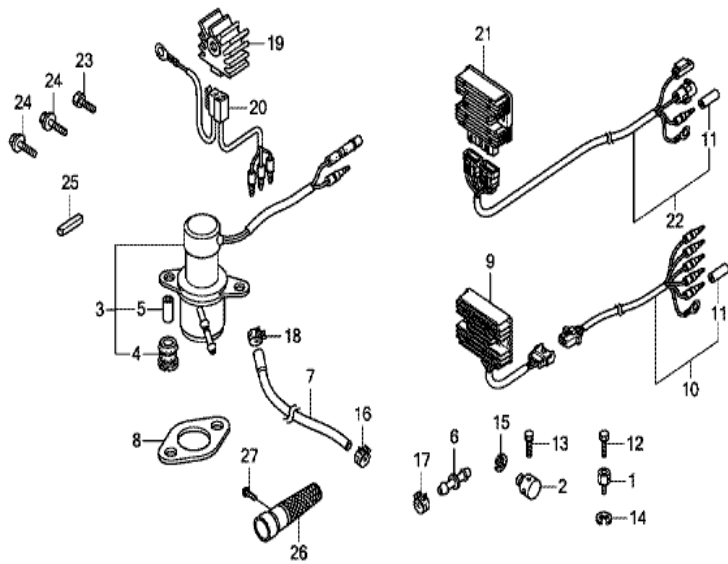
E-3 CRANKCASE



| Ref | Partnumber | Description | GX630R | Serial Numbers |
|-----|---------------|--------------------------|--------|-----------------|
| 001 | 11100-Z6L-800 | CRANKCASE ASSY. | 1 | |
| 001 | 11100-Z6L-800 | CRANKCASE ASSY. | 1 | 1040068 |
| 001 | 11100-Z6L-800 | CRANKCASE ASSY. | 1 | 1040068 |
| 001 | 11100-Z6L-800 | CRANKCASE ASSY. | 1 | 1026181 |
| 001 | 11100-Z6L-801 | CRANKCASE ASSY. | 1 | 1026182 1040068 |
| 001 | 11100-Z6L-840 | CRANKCASE ASSY. | 1 | 1040069 |
| 001 | 11100-Z6L-840 | CRANKCASE ASSY. | 1 | 1040069 |
| 001 | 11100-Z6L-840 | CRANKCASE ASSY. | 1 | 1040069 |
| 002 | 12356-Z6L-000 | COVER, BREATHER | 1 | |
| 003 | 12367-Z6L-000 | FILTER, BREATHER | 1 | |
| 004 | 15424-Z6L-000 | BOLT, SEALING | 1 | |
| 005 | 15571-ZM7-003 | VALVE, OIL OUTLET | 1 | |
| 006 | 15572-Z6L-000 | PLATE, STOPPER | 1 | |
| Ref | Partnumber | Description | GX630R | Serial Numbers |
| 007 | 16541-Z6L-000 | SHAFT, GOVERNOR ARM | 1 | 1004873 |
| 007 | 16541-Z6L-010 | SHAFT, GOVERNOR ARM | 1 | 1004874 |
| 008 | 35480-Z6L-003 | SWITCH ASSY., OIL LEVEL | 1 | |
| 011 | 90404-Z6L-000 | WASHER, PLAIN (10MM) | 1 | |
| 012 | 90709-Z6L-000 | DOWEL PIN, 12X20 | 4 | |
| 013 | 91201-Z6L-003 | OIL SEAL, 38X58X9 | 1 | |
| 014 | 91203-Z6L-003 | OIL SEAL, 10X16X5 | 1 | |
| 015 | 91308-Z6L-003 | PACKING, OIL PASS | 3 | |
| 016 | 91309-Z6L-000 | O-RING, 37.9X2.4 | 1 | |
| 017 | 92800-20000 | BOLT, DRAIN PLUG, 20MM | 2 | |
| 018 | 92900-100400B | BOLT, STUD, 10X40 | 8 | |
| 019 | 93500-030080A | SCREW, PAN, 3X8 | 1 | |
| 020 | 94109-20000 | WASHER, DRAIN PLUG, 20MM | 2 | |
| 021 | 94251-10000 | PIN, LOCK, 10MM | 2 | |
| 022 | 95701-0601400 | BOLT, FLANGE, 6X14 | 3 | |
| 023 | 95701-0601600 | BOLT, FLANGE, 6X16 | 2 | |

GX630R(VZA)

E-40 OTHER PARTS (FUEL PUMP) (REGULATOR RECTIFIER)

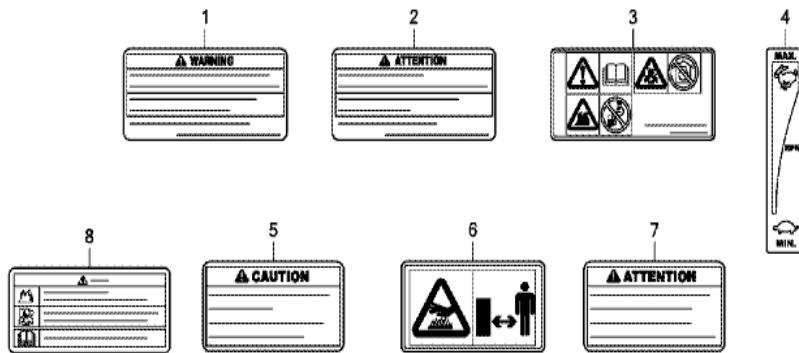


Z9E0E4000F

| Ref | Partnumber | Description | GX630R | Serial Numbers |
|-----|---------------|------------------|--------|----------------|
| 008 | 18333-ZE3-800 | GASKET, EX. PIPE | 2 | |

GX630R(VZA)

E-40-1 OTHER PARTS (LABEL)

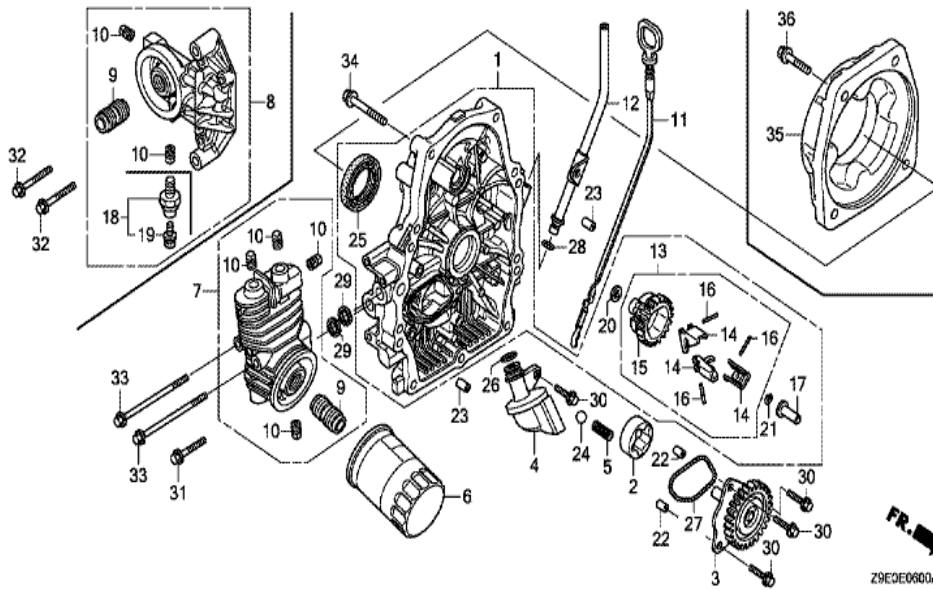


Z9E0E4001A

| Ref | Partnumber | Description | GX630R | Serial Numbers |
|-----|---------------|--|--------|----------------|
| 002 | 87516-ZH7-801 | MARK, OPERATOR CAUTION (FRENCH) (MADE IN | 1 | |
| 003 | 87519-ZH7-000 | MARK, OPERATOR CAUTION (PICTOGRAPH) | 1 | |
| 005 | 87539-Z0J-000 | MARK, EX. CAUTION (ENGLISH) | 1 | |
| 005 | 87539-Z0J-000 | MARK, EX. CAUTION (ENGLISH) | (1) | |
| 006 | 87539-Z0J-800 | MARK, EX. CAUTION (PICTOGRAPH) | (1) | |
| 007 | 87539-Z0J-810 | MARK, EX. CAUTION (FRENCH) | 1 | |
| 007 | 87539-Z0J-810 | MARK, EX. CAUTION (FRENCH) | (1) | |

GX630R(VZA)

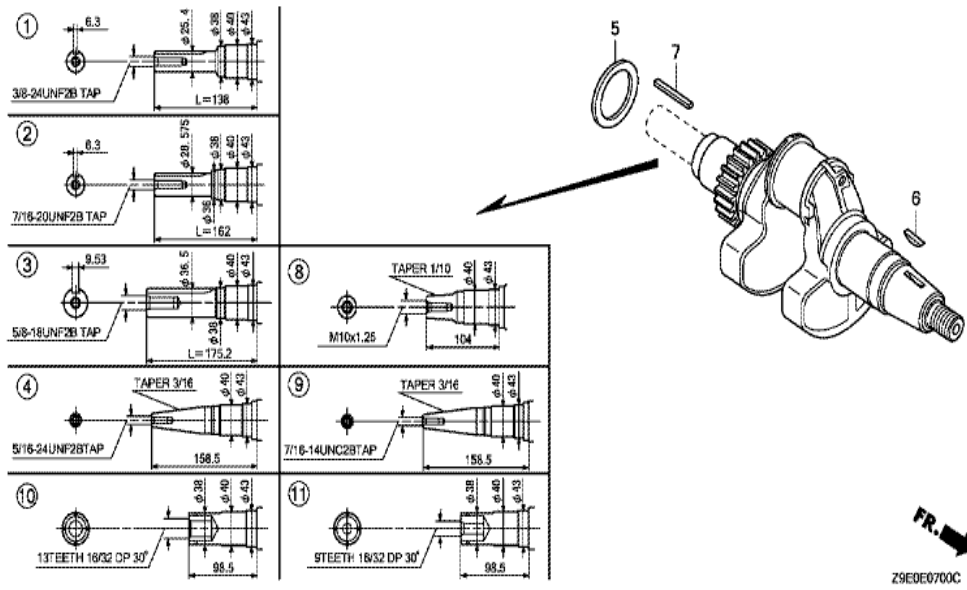
E-6 CRANKCASE COVER



Z9E0E000A

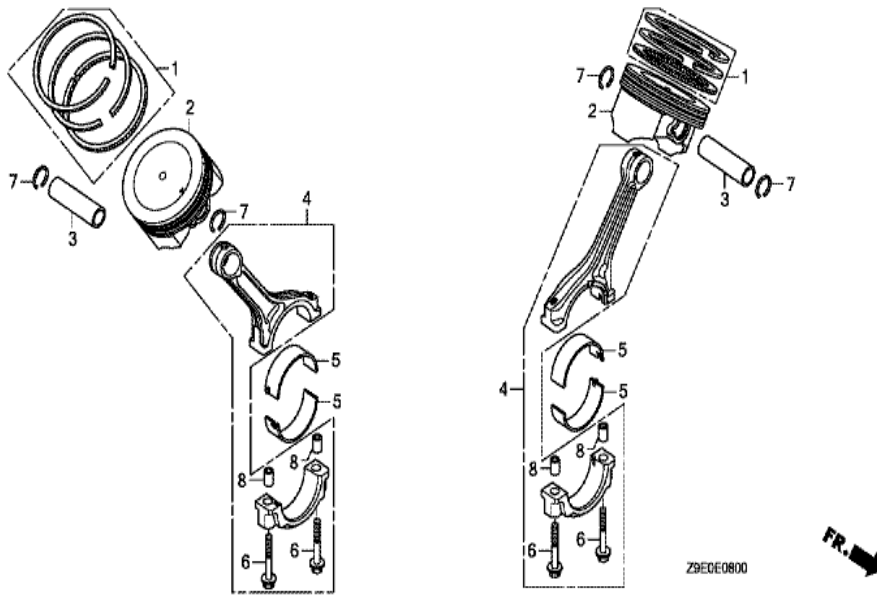
| Ref | Partnumber | Description | GX630R | Serial Numbers |
|-----|---------------|-----------------------------------|--------|----------------|
| 001 | 11300-Z6L-000 | COVER ASSY., CRANKCASE | 1 | |
| 002 | 15133-Z6L-000 | ROTOR, OIL PUMP OUTER | 1 | |
| 003 | 15140-Z6L-000 | GEAR COMP., OIL PUMP | 1 | |
| 004 | 15220-Z6L-000 | STRAINER COMP., OIL | 1 | |
| 005 | 15232-Z6L-000 | SPRING, RELIEF VALVE | 1 | |
| 006 | 15400-RTA-004 | CARTRIDGE, OIL FILTER (TOYO ROKI) | 1 | |
| 008 | 15410-Z6L-800 | BASE COMP., OIL FILTER | 1 | |
| 009 | 15423-Z6L-000 | HOLDER, OIL FILTER | 1 | |
| 010 | 15424-Z6L-000 | BOLT, SEALING | 1 | |
| 010 | 15424-Z6L-000 | BOLT, SEALING | 2 | |
| 011 | 15655-Z6L-000 | GAUGE COMP., OIL LEVEL | 1 | |
| 012 | 15665-Z6L-000 | PIPE COMP., OIL LEVEL | 1 | |
| 013 | 16510-Z6L-000 | GOVERNOR ASSY. | 1 | |
| Ref | Partnumber | Description | GX630R | Serial Numbers |
| 014 | 16511-Z6L-300 | WEIGHT, GOVERNOR | 3 | |
| 015 | 16512-Z6L-300 | HOLDER, GOVERNOR WEIGHT | 1 | |
| 016 | 16513-Z6L-000 | PIN, GOVERNOR WEIGHT | 3 | |
| 017 | 16531-Z6L-000 | SLIDER, GOVERNOR | 1 | |
| 020 | 90403-Z6L-000 | WASHER, 6X16 | 1 | |
| 021 | 90602-ZE1-000 | CLIP, GOVERNOR HOLDER | 1 | |
| 022 | 90707-Z6L-000 | DOWEL PIN, 8X10 | 2 | |
| 023 | 90708-Z6L-000 | DOWEL PIN, 8X14 | 2 | |
| 024 | 90902-Z6L-000 | BALL, STEEL, #15 (15/32) | 1 | |
| 025 | 91202-Z6L-003 | OIL SEAL, 38X58X9 | 1 | |
| 026 | 91301-Z6L-003 | O-RING, 14.8X2.4 | 1 | |
| 027 | 91302-Z6L-003 | O-RING, OIL PUMP | 1 | |
| 028 | 91308-PH9-000 | O-RING, 8.8X1.9 | 1 | |
| 029 | 91308-Z6L-003 | PACKING, OIL PASS | 2 | |
| 030 | 95701-0602000 | BOLT, FLANGE, 6X20 | 4 | |
| 031 | 95701-0602800 | BOLT, FLANGE, 6X28 | 1 | |
| 032 | 95701-0603500 | BOLT, FLANGE, 6X35 | 2 | |
| 034 | 95701-0804500 | BOLT, FLANGE, 8X45 | 9 | |

| | |
|-------------|----------------|
| GX630R(VZA) | E-7 CRANKSHAFT |
|-------------|----------------|



| Ref | Partnumber | Description | GX630R | Serial Numbers |
|-----|---------------|------------------------------|--------|----------------|
| 004 | 13310-Z6L-620 | CRANKSHAFT COMP. (L=158.5) | 1 | |
| 005 | 90402-Z6L-000 | WASHER, CRANKSHAFT THRUST | 1 | |
| 006 | 90741-ZE2-000 | KEY, SPECIAL WOODRUFF, 25X18 | 1 | |

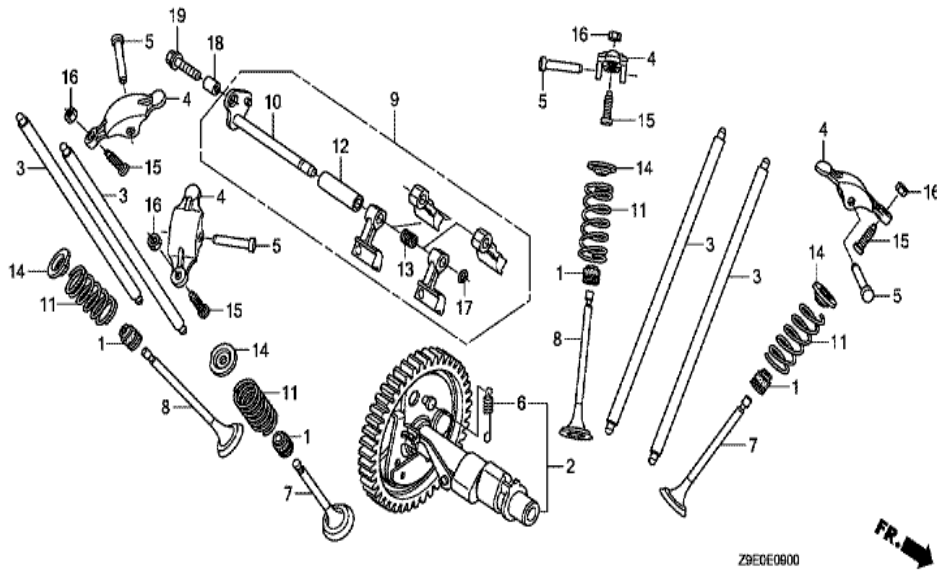
| | |
|-------------|------------|
| GX630R(VZA) | E-8 PISTON |
|-------------|------------|



| Ref | Partnumber | Description | GX630R | Serial Numbers |
|-----|---------------|-----------------------------------|--------|----------------|
| 001 | 13010-Z6L-003 | RING SET, PISTON (STD.) (TEIKOKU) | 2 | |
| 002 | 13101-Z6L-000 | PISTON | 2 | |
| 003 | 13111-Z6L-000 | PIN, PISTON | 2 | |
| 004 | 13210-Z6L-000 | ROD ASSY., CONNECTING | 2 | |
| 005 | 13211-Z6L-003 | BEARING A, CONNECTING ROD | 4 | |
| 006 | 90001-Z6L-000 | BOLT, CONNECTING ROD, 7X38 | 4 | |
| 007 | 90551-ZE1-000 | CLIP, PISTON PIN, 18MM | 4 | |
| 008 | 90705-Z6L-000 | DOWEL PIN, 9X10 | 4 | |

GX630R(VZA)

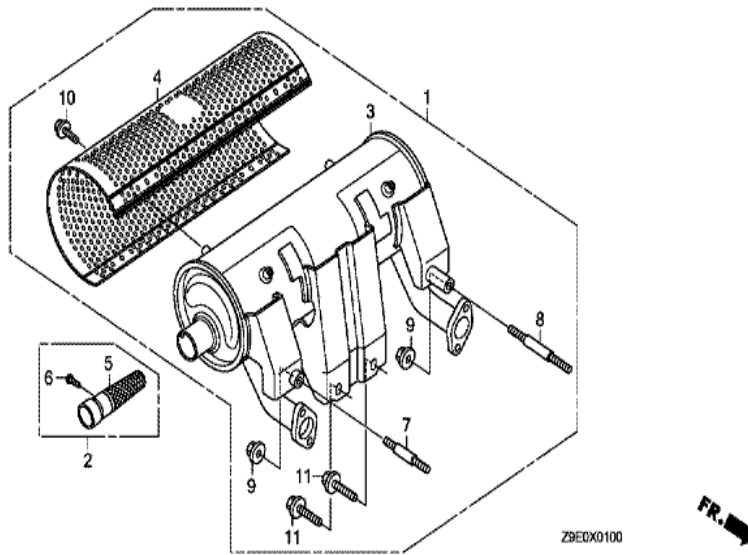
E-9 CAMSHAFT



| <u>Ref</u> | <u>Partnumber</u> | <u>Description</u> | <u>GX630R</u> | <u>Serial Numbers</u> |
|------------|-------------------|----------------------------|---------------|-----------------------|
| 001 | 12208-Z6L-003 | SEAL, VALVE STEM | 4 | |
| 002 | 14100-Z6L-000 | CAMSHAFT ASSY. | 1 | |
| 003 | 14410-Z6L-000 | ROD COMP., PUSH | 4 | |
| 004 | 14431-Z6L-000 | ARM, VALVE ROCKER | 4 | |
| 005 | 14461-Z6L-000 | SHAFT, ROCKER ARM | 4 | |
| 006 | 14568-Z6L-000 | SPRING, WEIGHT RETURN | 1 | |
| 007 | 14711-Z6L-000 | VALVE, IN. | 2 | |
| 008 | 14721-Z6L-000 | VALVE, EX. | 2 | |
| 009 | 14730-Z6L-000 | LIFTER ASSY., VALVE | 1 | |
| 010 | 14735-Z6L-000 | SHAFT COMP., VALVE LIFTER | 1 | |
| 011 | 14751-Z6L-000 | SPRING, VALVE | 4 | |
| 012 | 14763-Z6L-000 | COLLAR, VALVE LIFTER | 1 | |
| 013 | 14764-Z6L-000 | SPRING, VALVE LIFTER | 1 | |
| <u>Ref</u> | <u>Partnumber</u> | <u>Description</u> | <u>GX630R</u> | <u>Serial Numbers</u> |
| 014 | 14771-ZE1-000 | RETAINER, IN. VALVE SPRING | 4 | |
| 015 | 90012-Z6L-000 | SCREW, TAPPET ADJUSTING | 4 | |
| 016 | 90206-Z6L-000 | NUT, TAPPET ADJUSTING | 4 | |
| 017 | 90602-ZE1-000 | CLIP, GOVERNOR HOLDER | 1 | |
| 018 | 90707-Z6L-000 | DOWEL PIN, 8X10 | 1 | |
| 019 | 95701-0602200 | BOLT, FLANGE, 6X22 | 1 | |

GX630R(VZA)

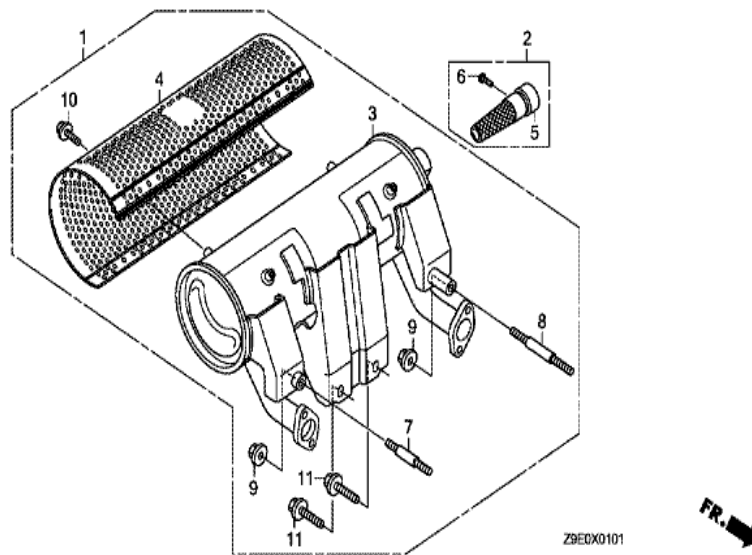
EOP-1 MUFFLER KIT (HIGH-R)



| <u>Ref</u> | <u>Partnumber</u> | <u>Description</u> | <u>GX630R</u> | <u>Serial Numbers</u> |
|------------|-------------------|------------------------------------|---------------|-----------------------|
| 001 | 06183-Z6L-010 | MUFFLER KIT (HIGH-R) | (1) | |
| 002 | 06185-Z6L-010 | ARRESTER KIT (HIGH) | (1) | |
| 002 | 06185-Z6L-010 | ARRESTER KIT (HIGH) | (1) | |
| 003 | 18310-Z6L-003 | MUFFLER COMP. (HIGH-R) | (1) | |
| 004 | 18321-ZJ1-010 | PROTECTOR, MUFFLER (HIGH) (FUTABA) | (1) | |
| 005 | 18355-ZJ1-010 | ARRESTER, SPARK | (1) | |
| 005 | 18355-ZJ1-010 | ARRESTER, SPARK | (1) | |
| 006 | 90007-Z6L-000 | SCREW, TAPPING, 5X8 | (1) | |
| 006 | 93901-250J0 | SCREW, TAPPING, 5X8 | (1) | |
| 007 | 92900-080450B | BOLT, STUD, 8X45 | (1) | |
| 008 | 92900-080600B | BOLT, STUD, 8X60 | (1) | |
| 009 | 94050-08000 | NUT, FLANGE, 8MM | (2) | |
| 010 | 95701-0600800 | BOLT, FLANGE, 6X8 | (6) | |
| <u>Ref</u> | <u>Partnumber</u> | <u>Description</u> | <u>GX630R</u> | <u>Serial Numbers</u> |
| 011 | 95701-0802000 | BOLT, FLANGE, 8X20 | (2) | |

GX630R(VZA)

EOP-1-1 MUFFLER KIT (HIGH-L)



| <u>Ref</u> | <u>Partnumber</u> | <u>Description</u> | <u>GX630R</u> | <u>Serial Numbers</u> |
|------------|-------------------|------------------------------------|---------------|-----------------------|
| 001 | 06183-Z6L-801 | MUFFLER KIT (HIGH-L) | (1) | |
| 002 | 06185-Z6L-010 | ARRESTER KIT (HIGH) | (1) | |
| 002 | 06185-Z6L-010 | ARRESTER KIT (HIGH) | (1) | |
| 003 | 18310-Z6L-801 | MUFFLER COMP. (HIGH-L) | (1) | |
| 004 | 18321-ZJ1-010 | PROTECTOR, MUFFLER (HIGH) (FUTABA) | (1) | |
| 005 | 18355-ZJ1-010 | ARRESTER, SPARK | (1) | |
| 005 | 18355-ZJ1-010 | ARRESTER, SPARK | (1) | |
| 006 | 90007-Z6L-000 | SCREW, TAPPING, 5X8 | (1) | |
| 006 | 93901-250J0 | SCREW, TAPPING, 5X8 | (1) | |
| 007 | 92900-080450B | BOLT, STUD, 8X45 | (1) | |
| 008 | 92900-080600B | BOLT, STUD, 8X60 | (1) | |
| 009 | 94050-08000 | NUT, FLANGE, 8MM | (2) | |
| 010 | 95701-0600800 | BOLT, FLANGE, 6X8 | (6) | |
| <u>Ref</u> | <u>Partnumber</u> | <u>Description</u> | <u>GX630R</u> | <u>Serial Numbers</u> |
| 011 | 95701-0802000 | BOLT, FLANGE, 8X20 | (2) | |