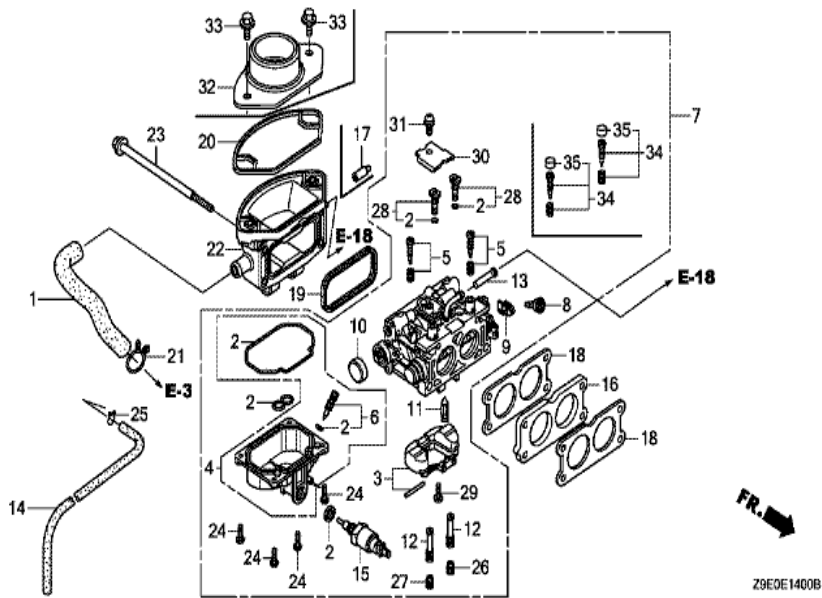


<u>Ref</u>	<u>Partnumber</u>	<u>Description</u>	<u>GX630R</u>	<u>Serial Numbers</u>
001	16715-Z6L-000	COVER, FUEL PUMP	1	
002	19610-Z6L-000ZA	COVER COMP., FAN *R280*	1	
002	19610-Z6L-000ZB	COVER COMP., FAN *NH1*	1	
002	19610-Z6L-000ZB	COVER COMP., FAN *NH1*	1	
003	19619-Z0A-300	COLLAR, FAN COVER	10	
004	19621-Z6L-000	PROTECTOR, FAN COVER	1	
006	19631-Z6L-000	SHROUD, UPPER	1	
007	19641-Z6L-000	SHROUD, R. LOWER	1	
008	19642-Z6L-000	SHROUD, L. LOWER	1	
009	84601-HA7-670	NUT, FENDER SETTING	2	
010	90005-Z6L-000	SCREW, SPECIAL, 4X10	4	
011	90380-GM9-740	SCREW, SPECIAL, 6X15	2	
012	93913-25580	SCREW, TAPPING, 5X20	2	
<u>Ref</u>	<u>Partnumber</u>	<u>Description</u>	<u>GX630R</u>	<u>Serial Numbers</u>
013	95701-0601600	BOLT, FLANGE, 6X16	3	
014	95701-0602000	BOLT, FLANGE, 6X20	8	
014	95701-0602000	BOLT, FLANGE, 6X20	8	
019	95701-0602000	BOLT, FLANGE, 6X20	2	

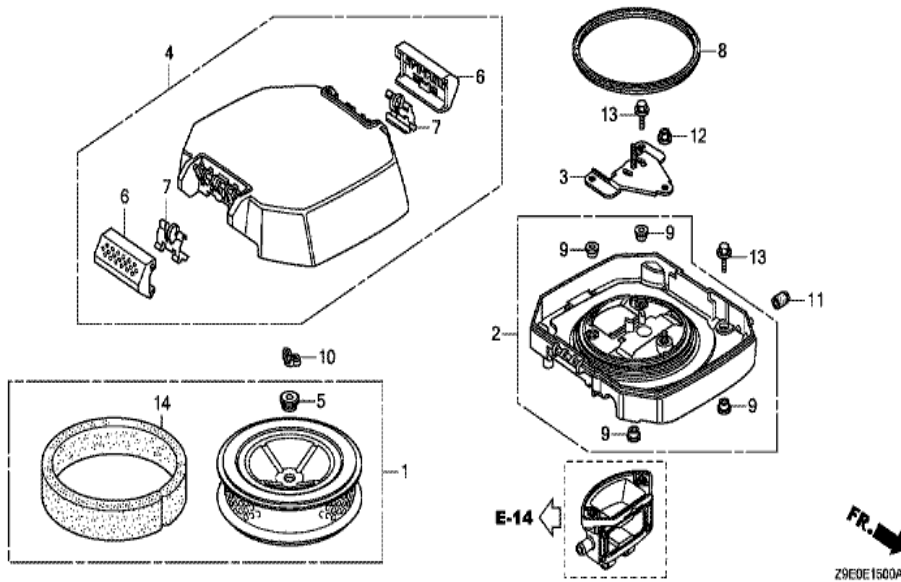


Z9E0E1400B

Ref	Partnumber	Description	GX630R	Serial Numbers
001	15721-Z6L-000	TUBE, BREATHER	1	
002	16010-Z6L-003	GASKET SET	1	
003	16013-Z6L-003	FLOAT SET	1	
004	16015-Z6L-003	CHAMBER SET, FLOAT	1	
005	16016-Z6L-003	SCREW SET	2	BK07A A
005	16016-Z6L-003	SCREW SET	2	BK07A A
006	16024-124-760	SCREW SET, DRAIN	1	
007	16100-Z9E-003	CARBURETOR ASSY. (BK07A A)	1	
007	16100-Z9E-003	CARBURETOR ASSY. (BK07A A)	1	
007	16100-Z9E-003	CARBURETOR ASSY. (BK07A A)	1	1031792
007	16100-Z9E-003	CARBURETOR ASSY. (BK07A A)	1	1031792
007	16100-Z9E-013	CARBURETOR ASSY. (BK07A B)	1	1031793 1041143
007	16100-Z9E-013	CARBURETOR ASSY. (BK07A B)	1	1031793 1041143

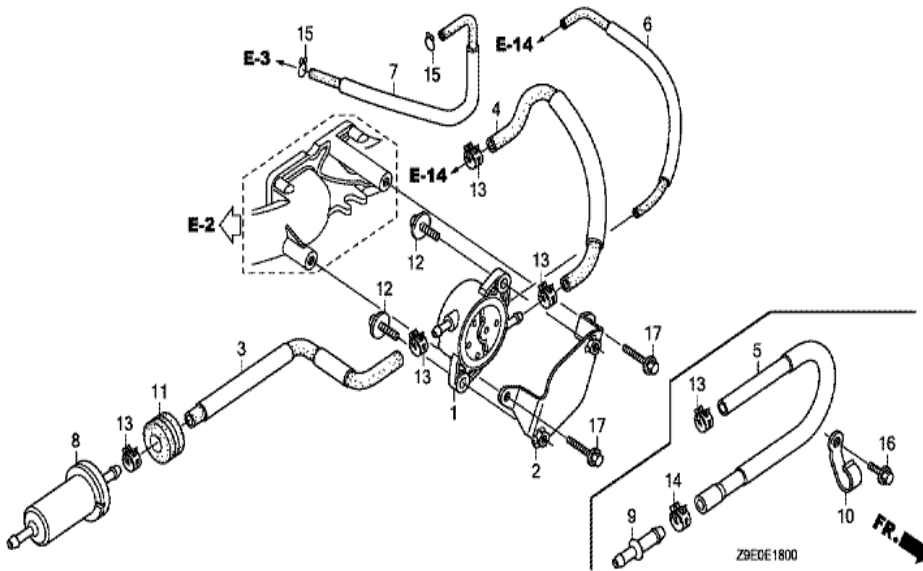
<u>Ref</u>	<u>Partnumber</u>	<u>Description</u>	<u>GX630R</u>	<u>Serial Numbers</u>
007	16100-Z9E-023	CARBURETOR ASSY. (BK07A C)	1	1041144
007	16100-Z9E-023	CARBURETOR ASSY. (BK07A C)	1	1041144
008	16124-ZE0-005	SCREW, THROTTLE STOP	1	
009	16126-Z6L-003	ARM, THROTTLE LINKAGE	1	
010	16148-141-881	CAP, CHOKE DUST	1	
011	16155-Z6L-003	VALVE COMP., FLOAT	1	
012	16166-Z8N-003	NOZZLE, MAIN	2	
012	16166-Z8N-003	NOZZLE, MAIN	2	
012	16166-Z8N-003	NOZZLE, MAIN	2	BK07A B
012	16166-Z9E-003	NOZZLE, MAIN	2	BK07A C
013	16176-Z2G-D51	SCREEN, FUEL STRAINER	1	
014	16198-Z6L-000	TUBE, DRAIN	1	
015	16200-Z6L-003	VALVE ASSY., SOLENOID	1	
016	16211-Z6L-000	INSULATOR, CARBURETOR	1	
018	16221-Z6L-000	PACKING, CARBURETOR	2	
019	17228-Z6L-000	PACKING, AIR CLEANER	1	
020	17229-Z6L-000	SEAL, AIR CLEANER CASE	1	
021	17369-KB4-670	CLIP, BREATHER TUBE	1	
022	17410-Z6L-000	ELBOW COMP., AIR CLEANER	1	
023	90003-Z6L-000	BOLT, FLANGE, 6X106	4	
024	93500-040121H	SCREW, PAN, 4X12	4	
025	95002-02080	CLIP, TUBE (B8)	1	
026	99101-ZH80900	JET, MAIN, #90	(1)	
026	99101-ZH80900	JET, MAIN, #90	(1)	BK07A B
026	99101-ZH80950	JET, MAIN, #95	(1)	
026	99101-ZH80950	JET, MAIN, #95	(1)	
026	99101-ZH80950	JET, MAIN, #95	(1)	BK07A B
026	99101-ZH80980	JET, MAIN, #98	(1)	BK07A C
026	99101-ZH80980	JET, MAIN, #98	(1)	BK07A C
026	99101-ZH81020	JET, MAIN, #102	1	
026	99101-ZH81020	JET, MAIN, #102	1	
026	99101-ZH81020	JET, MAIN, #102	1	
026	99101-ZH81020	JET, MAIN, #102	1	BK07A B

<u>Ref</u>	<u>Partnumber</u>	<u>Description</u>	<u>GX630R</u>	<u>Serial Numbers</u>
026	99101-ZH81020	JET, MAIN, #102	(1)	BK07A C
026	99101-ZH81020	JET, MAIN, #102	1	BK07A B
026	99101-ZH81020	JET, MAIN, #102	(1)	BK07A C
026	99101-ZH81100	JET, MAIN, #110	1	BK07A C
026	99101-ZH81100	JET, MAIN, #110	1	BK07A C
027	99101-ZH80920	JET, MAIN, #92	(1)	
027	99101-ZH80920	JET, MAIN, #92	(1)	BK07A B
027	99101-ZH80980	JET, MAIN, #98	(1)	
027	99101-ZH80980	JET, MAIN, #98	(1)	
027	99101-ZH80980	JET, MAIN, #98	(1)	BK07A C
027	99101-ZH80980	JET, MAIN, #98	(1)	
027	99101-ZH81020	JET, MAIN, #102	(1)	
027	99101-ZH81020	JET, MAIN, #102	(1)	BK07A C
027	99101-ZH81050	JET, MAIN, #105	1	
027	99101-ZH81050	JET, MAIN, #105	1	
027	99101-ZH81050	JET, MAIN, #105	1	BK07A B
027	99101-ZH81050	JET, MAIN, #105	1	BK07A B
027	99101-ZH81050	JET, MAIN, #105	1	BK07G B
027	99101-ZH81100	JET, MAIN, #110	1	BK07A C
027	99101-ZH81100	JET, MAIN, #110	1	BK07A C
028	99204-ZE20400	JET SET, PILOT, #40	2	
029	16081-Z6L-003	SCREW, FLOAT	1	
030	16113-Z6L-003	PLATE	1	
031	93892-0501018	SCREW-WASHER, 5X10	1	
034	16016-Z6L-801	SCREW SET	2	BK07A B
035	16134-Z6L-801	CAP, ADJUSTING SCREW	2	BK07A B

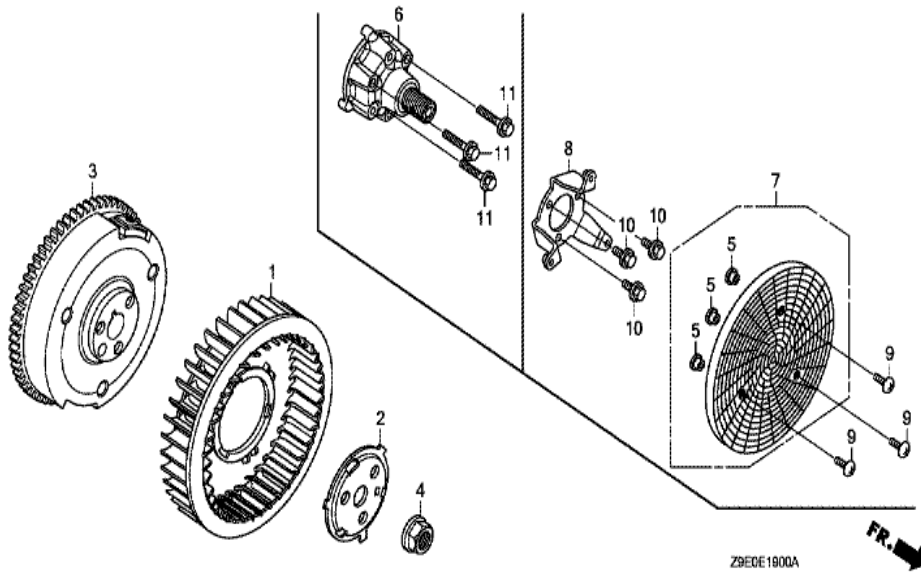


Z9E0E1500A

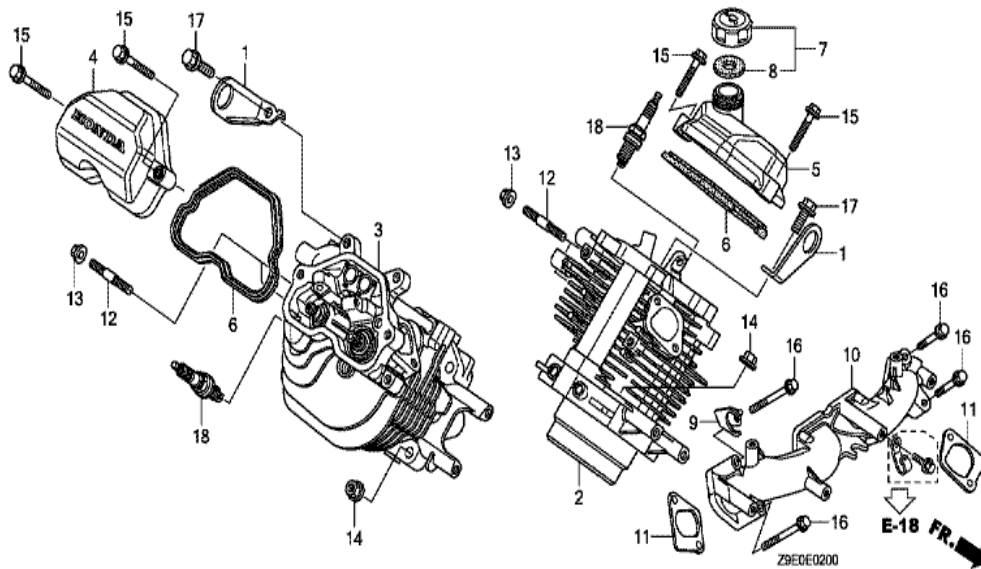
<u>Ref</u>	<u>Partnumber</u>	<u>Description</u>	<u>GX630R</u>	<u>Serial Numbers</u>
001	17210-Z6L-010	ELEMENT COMP., AIR CLEANER	1	
001	17210-Z6L-010	ELEMENT COMP., AIR CLEANER	1	
002	17220-Z6L-000	CASE COMP., AIR CLEANER	1	
003	17223-Z6L-000	STAY COMP., AIR CLEANER ELEMENT	1	
004	17230-Z6L-000	COVER COMP., AIR CLEANER	1	
005	17232-Z2E-000	GROMMET, AIR CLEANER	1	
006	17235-Z6L-300	KNOB, AIR CLEANER COVER	2	
007	17236-Z6L-300	SPRING, AIR CLEANER CASE COVER	2	
008	17417-Z6L-000	PACKING, AIR CLEANER CASE	1	
009	19619-Z0A-300	COLLAR, FAN COVER	4	
010	90325-044-000	NUT, TOOL BOX SETTING	1	
011	90802-Z6L-000	CAP, SEALING	1	
012	94050-06000	NUT, FLANGE, 6MM	1	
<u>Ref</u>	<u>Partnumber</u>	<u>Description</u>	<u>GX630R</u>	<u>Serial Numbers</u>
013	95701-0601800	BOLT, FLANGE, 6X18	4	
014	17218-Z6L-000	FILTER, OUTER	1	



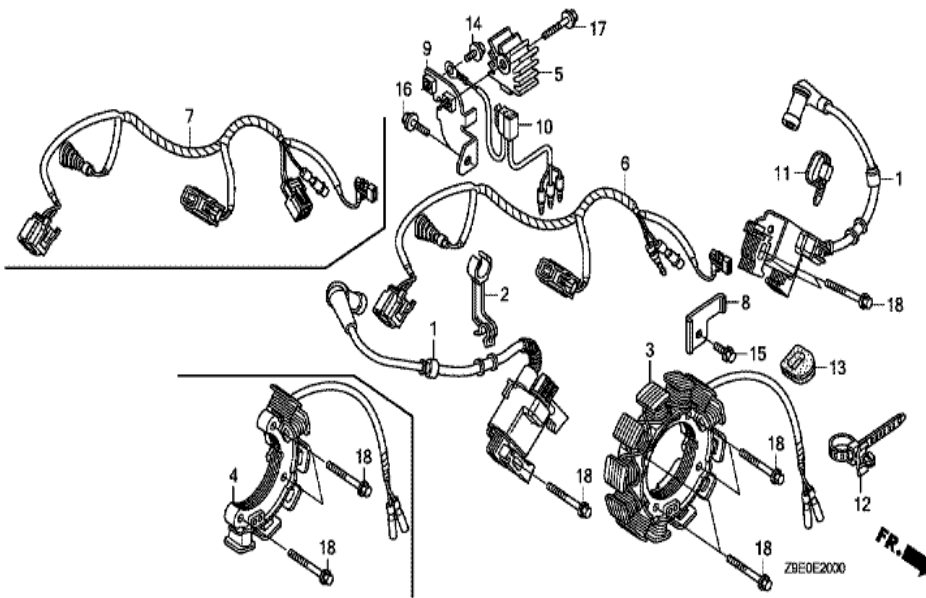
<u>Ref</u>	<u>Partnumber</u>	<u>Description</u>	<u>GX630R</u>	<u>Serial Numbers</u>
001	16700-Z6L-003	PUMP ASSY., FUEL	1	
002	16711-Z6L-000	STAY, FUEL PUMP	1	
003	16850-Z6L-000	TUBE COMP. A, FUEL (FKM)	1	1015411
003	16850-Z6L-000	TUBE COMP. A, FUEL (FKM)	1	1015411
003	16850-Z6L-010	TUBE COMP. A, FUEL (FKM)	1	1015412
003	16850-Z6L-010	TUBE COMP. A, FUEL (FKM)	1	1015412
004	16860-Z6L-000	TUBE COMP. B, FUEL (FKM)	1	
006	16870-Z6L-000	TUBE, PURGE	1	
007	16882-Z6L-000	TUBE, DIAPHRAGM	1	
008	16910-Z6L-003	STRAINER COMP., FUEL	1	
011	80152-958-680	RUBBER, RR. FENDER	1	
012	93894-0601600	SCREW-WASHER, 6X16	2	
013	95002-4100008	CLAMP, TUBE (D10)	3	
<u>Ref</u>	<u>Partnumber</u>	<u>Description</u>	<u>GX630R</u>	<u>Serial Numbers</u>
013	95002-4100008	CLAMP, TUBE (D10)	4	
013	95002-4100008	CLAMP, TUBE (D10)	4	
015	95002-70000	CLIP, TUBE (C11)	2	
017	95701-0601400	BOLT, FLANGE, 6X14	2	



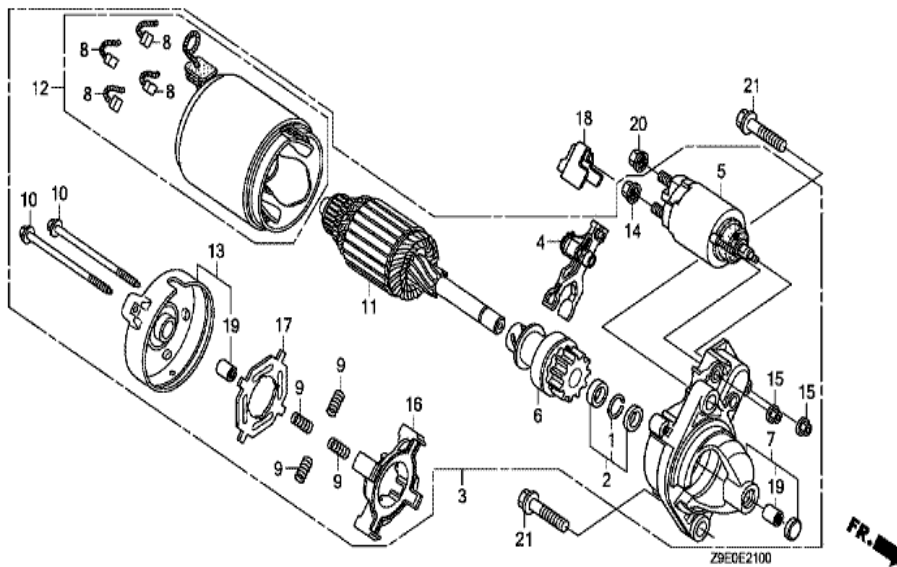
Ref	Partnumber	Description	GX630R	Serial Numbers
001	19511-Z6L-000	FAN, COOLING	1	
002	19513-Z6L-000	PLATE, COOLING FAN SETTING	1	
003	31110-Z6L-003	FLYWHEEL COMP.	1	
004	90201-Z6L-000	NUT, SPECIAL (20MM)	1	



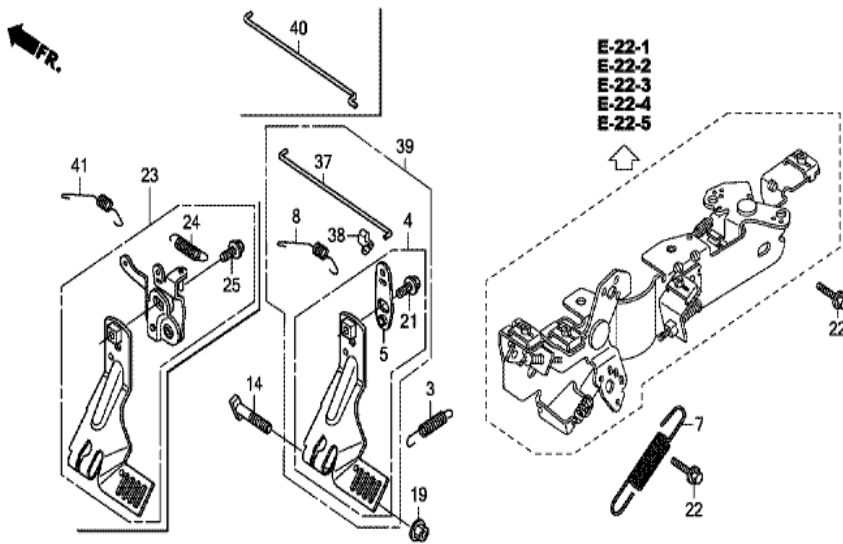
<u>Ref</u>	<u>Partnumber</u>	<u>Description</u>	<u>GX630R</u>	<u>Serial Numbers</u>
001	11911-Z6L-000	HANGER, ENGINE	2	
002	12110-Z6L-000	HEAD COMP., CYLINDER (#1)	1	1040054
002	12110-Z6L-010	HEAD COMP., CYLINDER (#1)	1	1040055
003	12120-Z6L-000	HEAD COMP., CYLINDER (#2)	1	1040054
003	12120-Z6L-010	HEAD COMP., CYLINDER (#2)	1	1040055
004	12311-Z6L-000	COVER, CYLINDER HEAD	1	
005	12311-Z6L-800	COVER, CYLINDER HEAD	1	
006	12312-Z6L-000	PACKING, HEAD COVER	2	
007	15600-Z6L-000	CAP ASSY., OIL FILLER	1	
008	15625-Z6L-000	PACKING, OIL FILLER CAP	1	
009	16722-Z6L-000	STAY, FUEL TUBE GROMMET	1	1040054
009	16722-Z6L-010	STAY, FUEL TUBE GROMMET	1	1040055
010	17101-Z6L-000	MANIFOLD, INTAKE	1	1040054
<u>Ref</u>	<u>Partnumber</u>	<u>Description</u>	<u>GX630R</u>	<u>Serial Numbers</u>
010	17101-Z6L-010	MANIFOLD, INTAKE	1	1040055
011	17151-Z6L-000	PACKING, INTAKE MANIFOLD	2	1040054
011	17151-Z6L-010	PACKING, INTAKE MANIFOLD	2	1040055
012	92900-080220E	BOLT, STUD, 8X22	4	
013	94050-08000	NUT, FLANGE, 8MM	4	
014	94050-10000	NUT, FLANGE, 10MM	8	
015	95701-0603000	BOLT, FLANGE, 6X30	4	
016	90006-Z6L-000	BOLT, FLANGE, 8X55	4	1040055
016	95701-0605000	BOLT, FLANGE, 6X50	4	
016	95701-0605000	BOLT, FLANGE, 6X50	4	
016	95701-0605000	BOLT, FLANGE, 6X50	4	1040054
017	95701-0801600	BOLT, FLANGE, 8X16	2	
018	98079-5587G	PLUG, SPARK (ZFR5F)	2	
018	98079-5587G	PLUG, SPARK (ZFR5F)	2	



<u>Ref</u>	<u>Partnumber</u>	<u>Description</u>	<u>GX630R</u>	<u>Serial Numbers</u>
001	30500-Z6L-003	COIL ASSY., IGNITION	2	
002	30551-Z6L-000	CLAMP, HIGH TENSION CORD	1	
004	31630-Z6L-801	COIL ASSY., CHARGE (2.7A)	1	
005	31750-735-013	RECTIFIER COMP., REGULATOR (5A)	1	
007	32110-Z6L-810	HARNESS ASSY., ENGINE WIRE	1	
008	32114-Z6L-000	BRACKET, HARNESS	1	
009	32115-Z6L-000	BRACKET, REGULATOR RECTIFIER	1	
010	32183-Z6L-000	HARNESS ASSY., REGULATOR RECTIFIER	1	
011	90650-KV6-003	BAND, WIRE, 95MM	1	
013	91601-Z6L-000	GROMMET, CORD	1	
014	95701-0600800	BOLT, FLANGE, 6X8	1	
015	95701-0601200	BOLT, FLANGE, 6X12	1	
016	95701-0601400	BOLT, FLANGE, 6X14	1	
<u>Ref</u>	<u>Partnumber</u>	<u>Description</u>	<u>GX630R</u>	<u>Serial Numbers</u>
017	95701-0603000	BOLT, FLANGE, 6X30	1	
018	95701-0603200	BOLT, FLANGE, 6X32	7	
018	95701-0603200	BOLT, FLANGE, 6X32	7	



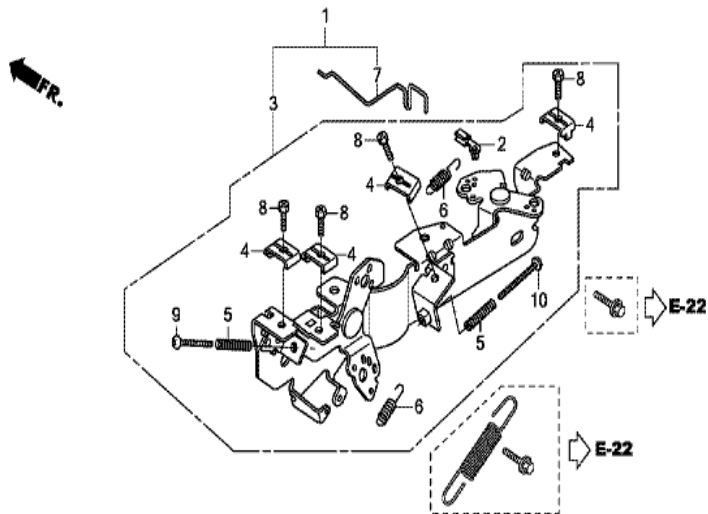
<u>Ref</u>	<u>Partnumber</u>	<u>Description</u>	<u>GX630R</u>	<u>Serial Numbers</u>
001	30201-PH9-004	RING, SNAP (DENSO)	1	
002	30202-PZ1-003	COLLAR SET, CLUTCH STOP	1	
003	31200-Z6L-003	MOTOR ASSY., STARTER	1	
004	31203-PH9-004	LEVER, PINION DRIVE	1	
005	31204-ZJ1-H02	SWITCH ASSY., MAGNET	1	
006	31207-ZE9-H01	CLUTCH COMP., OVERRUNNING	1	
007	31208-Z6L-003	HOUSING COMP., DRIVE SIDE	1	
008	31211-PH9-004	BRUSH	4	
009	31212-PH9-004	SPRING, BRUSH	4	
010	31214-PH9-004	BOLT, THROUGH	2	
011	31217-Z0A-003	ARMATURE COMP.	1	
012	31218-P64-N01	YOKE COMP.	1	
013	31219-Z6L-003	FRAME COMP., COMMUTATOR END	1	
<u>Ref</u>	<u>Partnumber</u>	<u>Description</u>	<u>GX630R</u>	<u>Serial Numbers</u>
014	31220-PH9-004	NUT, HEX., 8MM	1	
015	31223-PA0-006	NUT, HEX.	2	
016	31231-PH9-004	HOLDER, BRUSH	1	
017	31233-PH9-004	INSULATOR, BRUSH HOLDER	1	
018	31234-Z6L-000	COVER, TERMINAL	1	
019	91002-ZG4-801	BEARING A	2	
020	94070-08080	NUT-WASHER, 8MM	1	
021	95701-1004000	BOLT, FLANGE, 10X40	2	



Z9E0E2200H

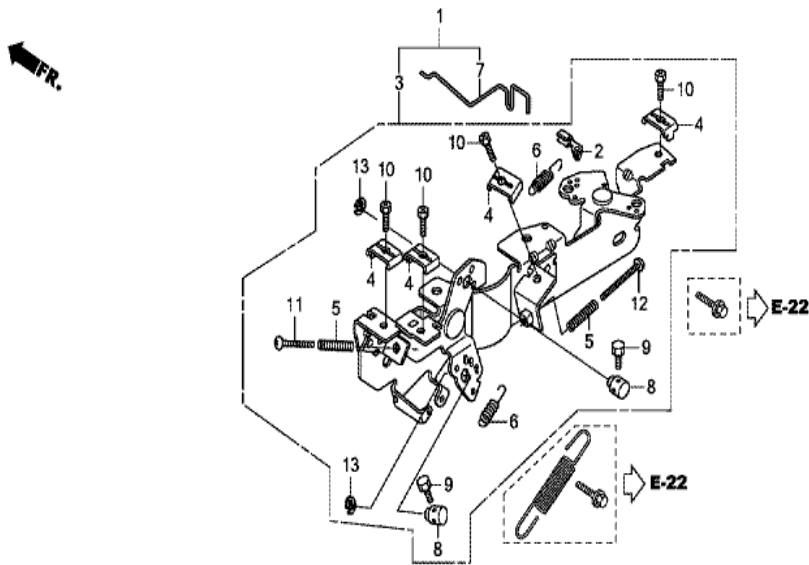
Ref	Partnumber	Description	GX630R	Serial Numbers
001	16263-Z0G-010	JOINT, ROD	1	
002	16500-Z6L-000	CONTROL ASSY.	1	
002	16500-Z6L-000	CONTROL ASSY.	1	1000804
002	16500-Z6L-010	CONTROL ASSY.	1	1000442
002	16500-Z6L-010	CONTROL ASSY.	1	1000804
003	16534-Z6L-000	SPRING, STARTER	1	
004	16550-Z6L-000	ARM COMP., GOVERNOR	1	
004	16550-Z6L-000	ARM COMP., GOVERNOR	1	1004873
004	16550-Z6L-010	ARM COMP., GOVERNOR	1	1004874
004	16550-Z6L-020	ARM COMP., GOVERNOR	1	1036759
005	16553-Z6L-000	ARM, SUB	1	
005	16553-Z6L-010	ARM, SUB	1	1036759
006	16555-Z6L-000	ROD, GOVERNOR	1	

<u>Ref</u>	<u>Partnumber</u>	<u>Description</u>	<u>GX630R</u>	<u>Serial Numbers</u>	
007	16561-Z6L-000	SPRING, GOVERNOR	1		
008	16562-Z6L-000	SPRING, THROTTLE RETURN	1		
008	16562-Z6L-010	SPRING, THROTTLE RETURN	1	1036759	
009	16576-891-000	HOLDER, CABLE	2		
009	16576-891-000	HOLDER, CABLE	2		
010	16584-883-300	SPRING, CONTROL ADJUSTING	1		
010	16584-883-300	SPRING, CONTROL ADJUSTING	2		
011	16592-ZJ1-000	SPRING, CABLE RETURN	2		
012	16611-Z6L-000	ROD, CHOKE CONTROL	1		
013	16617-Z6L-000	HOLDER, CABLE	1		
014	90015-ZE3-790	BOLT, GOVERNOR ARM	1		
015	92301-040060H	BOLT, RECESSED, 4X6	1		
016	92301-050160A	BOLT, RECESSED, 5X16	2		
016	92301-050160A	BOLT, RECESSED, 5X16	2		
017	93500-050300A	SCREW, PAN, 5X30	1		
018	93500-050400A	SCREW, PAN, 5X40	1		
018	93500-050450A	SCREW, PAN, 5X45	1		
018	93500-050450A	SCREW, PAN, 5X45	1		
019	94050-06000	NUT, FLANGE, 6MM	1		
020	94540-05018	E-RING, 5MM	1		
021	95701-0601000	BOLT, FLANGE, 6X10	1		
022	95701-0601400	BOLT, FLANGE, 6X14	2		
028	16500-Z6L-830	CONTROL ASSY.	1		1004564
028	16500-Z6L-830	CONTROL ASSY.	1	1000805	1004564
028	16500-Z6L-831	CONTROL ASSY.	1	1001592	
028	16500-Z6L-831	CONTROL ASSY.	1	1004565	
029	16576-891-000	HOLDER, CABLE	2		
031	16617-Z6L-000	HOLDER, CABLE	1		
031	16617-Z6L-000	HOLDER, CABLE	1	1000805	
032	92301-040060H	BOLT, RECESSED, 4X6	1		
032	92301-040060H	BOLT, RECESSED, 4X6	1	1000805	
034	92301-050160A	BOLT, RECESSED, 5X16	2		
035	94540-05018	E-RING, 5MM	1		
<u>Ref</u>	<u>Partnumber</u>	<u>Description</u>	<u>GX630R</u>	<u>Serial Numbers</u>	
035	94540-05018	E-RING, 5MM	1	1000805	
037	16555-Z6L-010	ROD, GOVERNOR	1	1036759	
038	17957-Z6L-003	BUSH, LINKAGE	1	1036759	
039	04102-Z6L-000	ARM KIT, GOVERNOR	1		1005199
039	04102-Z6L-000	ARM KIT, GOVERNOR	1		1036758



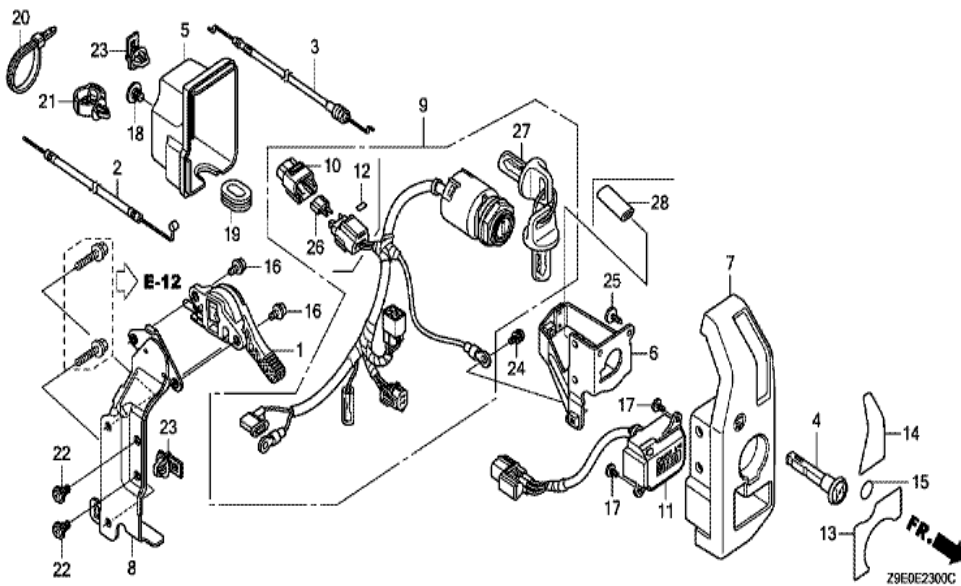
Z9E0E2201

Ref	Partnumber	Description	GX630R	Serial Numbers
002	16263-Z0G-010	JOINT, ROD	1	1000804
003	16500-Z6L-010	CONTROL ASSY.	1	1000804
004	16576-891-000	HOLDER, CABLE	4	1000804
005	16584-883-300	SPRING, CONTROL ADJUSTING	2	1000804
006	16592-ZJ1-000	SPRING, CABLE RETURN	2	1000804
007	16611-Z6L-000	ROD, CHOKE CONTROL	1	1000804
008	92301-050160A	BOLT, RECESSED, 5X16	4	1000804
009	93500-050300A	SCREW, PAN, 5X30	1	1000804
010	93500-050450A	SCREW, PAN, 5X45	1	1000804

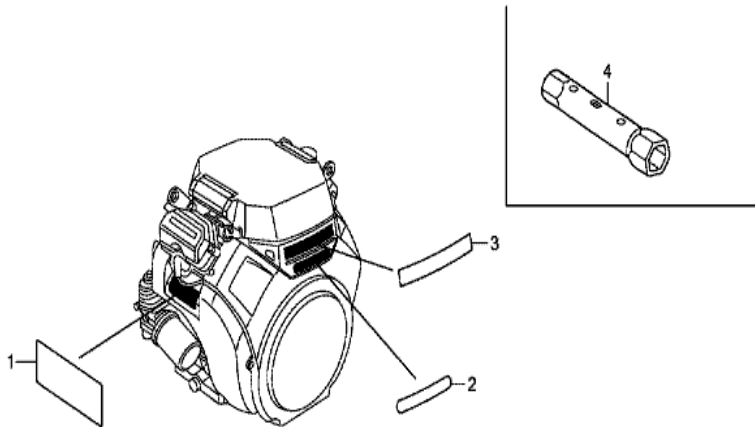


Z9E0E2205

Ref	Partnumber	Description	GX630R	Serial Numbers
001	04101-Z6L-830	CONTROL KIT	1	1000805 1004892
002	16263-Z0G-010	JOINT, ROD	1	1000805
003	16500-Z6L-832	CONTROL ASSY.	1	1004893
004	16576-891-000	HOLDER, CABLE	4	1000805
005	16584-883-300	SPRING, CONTROL ADJUSTING	2	1000805
006	16592-ZJ1-000	SPRING, CABLE RETURN	2	1000805
007	16611-Z6L-010	ROD, CHOKE CONTROL	1	1004893
008	16617-Z6L-000	HOLDER, CABLE	2	1000805
009	92301-040060H	BOLT, RECESSED, 4X6	2	1000805
010	92301-050160A	BOLT, RECESSED, 5X16	4	1000805
011	93500-050300A	SCREW, PAN, 5X30	1	1000805
012	93500-050450A	SCREW, PAN, 5X45	1	1000805
013	94540-05018	E-RING, 5MM	2	1000805

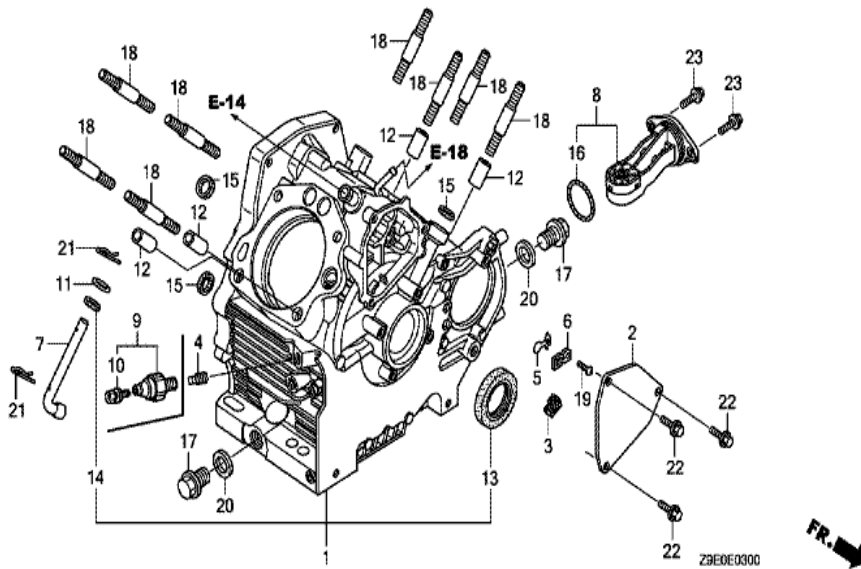


<u>Ref</u>	<u>Partnumber</u>	<u>Description</u>	<u>GX630R</u>	<u>Serial Numbers</u>
001	17850-Z6L-003	LEVER ASSY., THROTTLE	1	
002	17910-Z6L-000	CABLE COMP., THROTTLE	1	
003	17950-Z6L-000	CABLE COMP., CHOKE	1	
004	17951-ZV1-000	KNOB, CHOKE	1	
005	31612-Z6L-000	COVER, CONTROL	1	
006	31614-Z6L-000	BRACKET, SWITCH BOX	1	
007	32346-Z6L-000	PANEL, CONTROL	1	
008	32347-Z6L-000	BRACKET, CONTROL BOX	1	
009	35100-Z6L-003	SWITCH ASSY., COMBINATION	1	
010	38216-Z2E-003	COVER ASSY., FUSE	1	
011	39700-Z6L-003	METER ASSY., HOUR	1	
012	87117-Z2E-800	LABEL, FUSE (30A)	1	
013	87501-Z6L-000	MARK, ENGINE SWITCH	1	
<u>Ref</u>	<u>Partnumber</u>	<u>Description</u>	<u>GX630R</u>	<u>Serial Numbers</u>
014	87502-Z6L-000	MARK, THROTTLE SWITCH	1	
016	90011-Z0H-811	BOLT, SOCKET, 5X9	2	
017	90101-SP1-003	SCREW, TAPPING, 3X8 (PO)	2	
018	90380-MB2-000	SCREW, SPECIAL, 6X8	1	
019	90601-Z6L-000	GROMMET, CONTROL BOX	1	
020	90650-KV6-003	BAND, WIRE, 95MM	1	
021	90681-763-A01	CLIP, WIRE HARNESS	1	
022	91508-GN2-000	SCREW, PAN, 5X10.5	2	
023	91565-SEL-003	CLIP, COUPLER (BLACK)	2	
024	93893-0500807	SCREW-WASHER, 5X8	1	
025	93913-25310	SCREW, TAPPING, 5X14 (PO)	1	
026	98200-43000	FUSE, MINI (30A)	1	
027	35110-ZV5-V50	KEY ASSY., COMBINATION SWITCH (W05)	2	

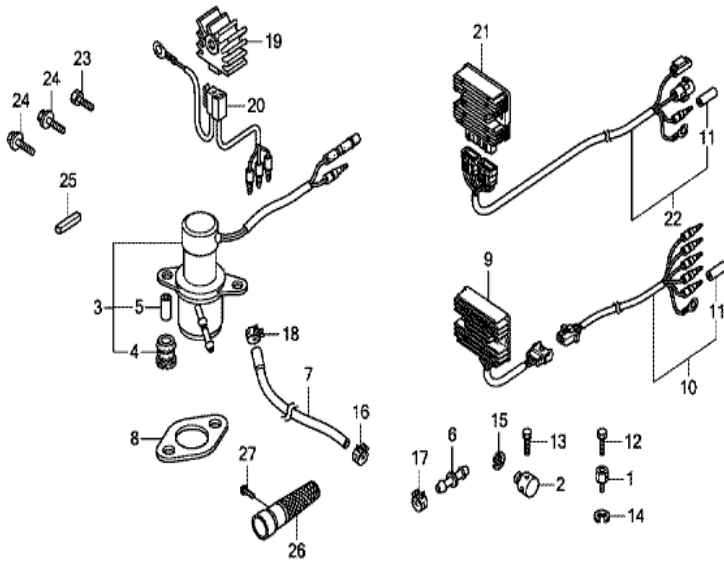


Z9E0E2800

Ref	Partnumber	Description	GX630R	Serial Numbers
001	87519-ZH7-000	MARK, OPERATOR CAUTION (PICTOGRAPH)	1	
001	87519-ZH7-000	MARK, OPERATOR CAUTION (PICTOGRAPH)	1	
002	87521-Z6N-000	EMBLEM (GX630)	1	
002	87521-Z6N-000	EMBLEM (GX630)	1	
003	87531-Z6L-000	MARK, HONDA	1	

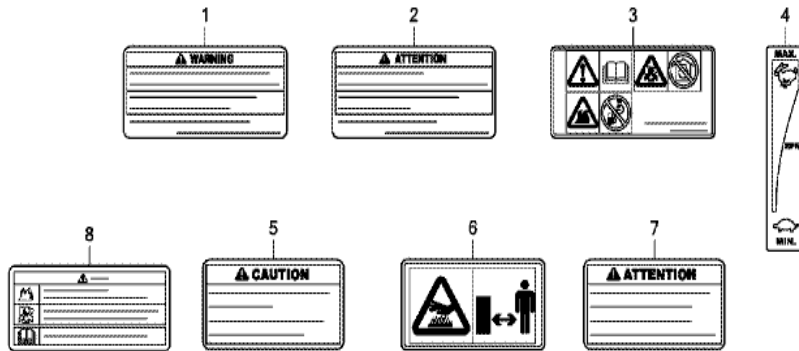


<u>Ref</u>	<u>Partnumber</u>	<u>Description</u>	<u>GX630R</u>	<u>Serial Numbers</u>
001	11100-Z6L-800	CRANKCASE ASSY.	1	
001	11100-Z6L-800	CRANKCASE ASSY.	1	1040068
001	11100-Z6L-800	CRANKCASE ASSY.	1	1040068
001	11100-Z6L-800	CRANKCASE ASSY.	1	1026181
001	11100-Z6L-801	CRANKCASE ASSY.	1	1026182 1040068
001	11100-Z6L-840	CRANKCASE ASSY.	1	1040069
001	11100-Z6L-840	CRANKCASE ASSY.	1	1040069
001	11100-Z6L-840	CRANKCASE ASSY.	1	1040069
002	12356-Z6L-000	COVER, BREATHER	1	
003	12367-Z6L-000	FILTER, BREATHER	1	
004	15424-Z6L-000	BOLT, SEALING	1	
005	15571-ZM7-003	VALVE, OIL OUTLET	1	
006	15572-Z6L-000	PLATE, STOPPER	1	
<u>Ref</u>	<u>Partnumber</u>	<u>Description</u>	<u>GX630R</u>	<u>Serial Numbers</u>
007	16541-Z6L-000	SHAFT, GOVERNOR ARM	1	1004873
007	16541-Z6L-010	SHAFT, GOVERNOR ARM	1	1004874
008	35480-Z6L-003	SWITCH ASSY., OIL LEVEL	1	
011	90404-Z6L-000	WASHER, PLAIN (10MM)	1	
012	90709-Z6L-000	DOWEL PIN, 12X20	4	
013	91201-Z6L-003	OIL SEAL, 38X58X9	1	
014	91203-Z6L-003	OIL SEAL, 10X16X5	1	
015	91308-Z6L-003	PACKING, OIL PASS	3	
016	91309-Z6L-000	O-RING, 37.9X2.4	1	
017	92800-20000	BOLT, DRAIN PLUG, 20MM	2	
018	92900-100400B	BOLT, STUD, 10X40	8	
019	93500-030080A	SCREW, PAN, 3X8	1	
020	94109-20000	WASHER, DRAIN PLUG, 20MM	2	
021	94251-10000	PIN, LOCK, 10MM	2	
022	95701-0601400	BOLT, FLANGE, 6X14	3	
023	95701-0601600	BOLT, FLANGE, 6X16	2	



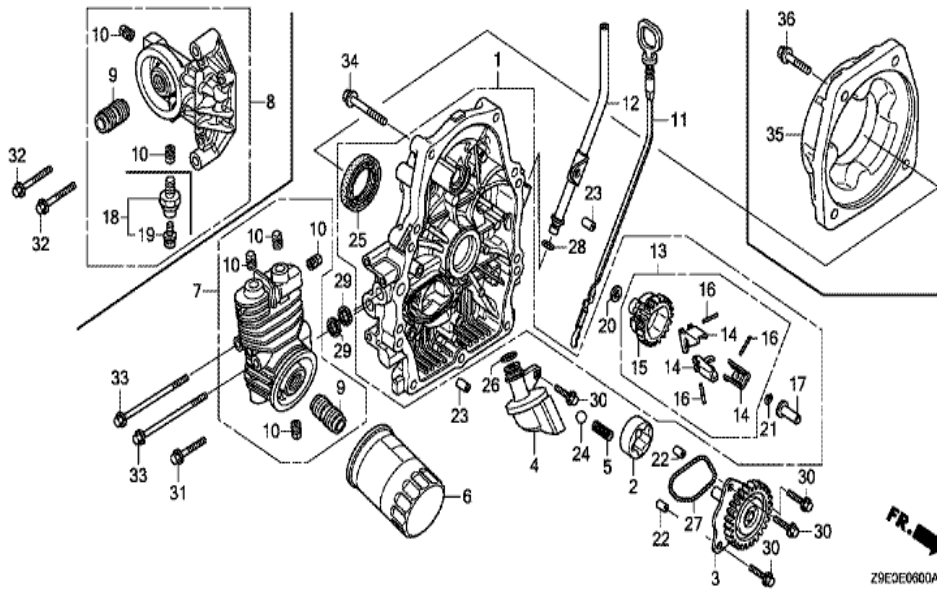
Z9E0E4000F

Ref	Partnumber	Description	GX630R	Serial Numbers
008	18333-ZE3-800	GASKET, EX. PIPE	2	



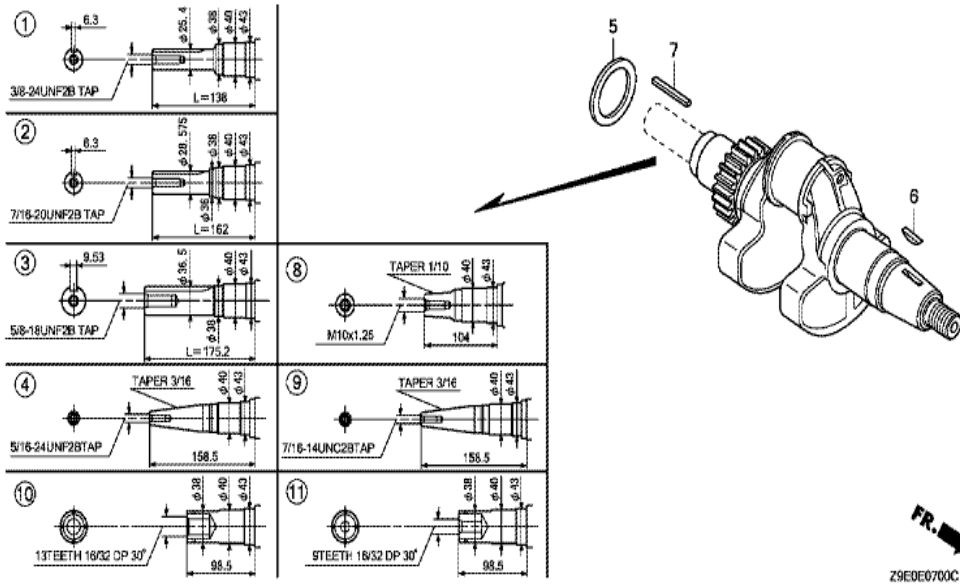
Z9E0E4001A

Ref	Partnumber	Description	GX630R	Serial Numbers
001	87516-ZH7-010	MARK, OPERATOR CAUTION (ENGLISH) (MADE I	1	
002	87516-ZH7-801	MARK, OPERATOR CAUTION (FRENCH) (MADE IN	1	
005	87539-Z0J-000	MARK, EX. CAUTION (ENGLISH)	1	
005	87539-Z0J-000	MARK, EX. CAUTION (ENGLISH)	(1)	
006	87539-Z0J-800	MARK, EX. CAUTION (PICTOGRAPH)	(1)	
007	87539-Z0J-810	MARK, EX. CAUTION (FRENCH)	1	
007	87539-Z0J-810	MARK, EX. CAUTION (FRENCH)	(1)	



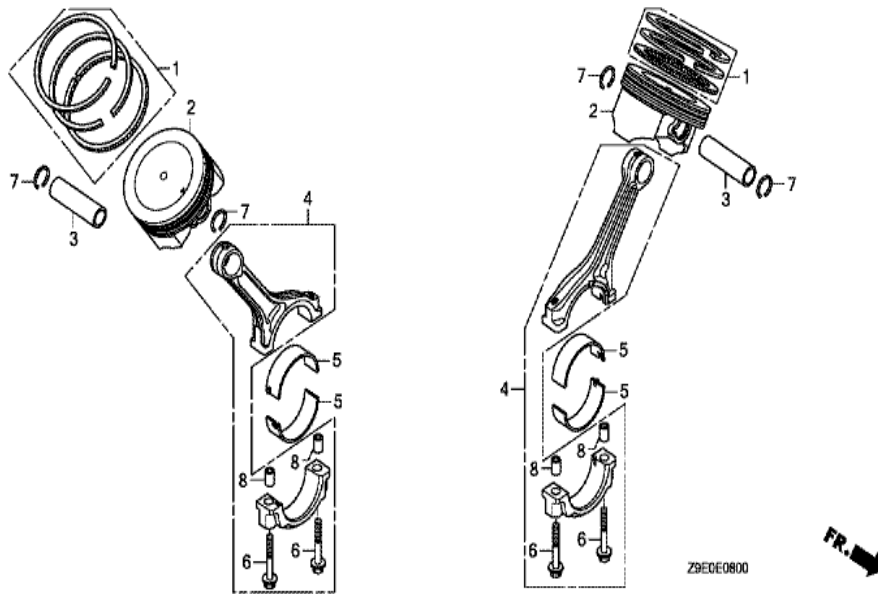
Z9E0E000A

Ref	Partnumber	Description	GX630R	Serial Numbers
001	11300-Z6L-000	COVER ASSY., CRANKCASE	1	
002	15133-Z6L-000	ROTOR, OIL PUMP OUTER	1	
003	15140-Z6L-000	GEAR COMP., OIL PUMP	1	
004	15220-Z6L-000	STRAINER COMP., OIL	1	
005	15232-Z6L-000	SPRING, RELIEF VALVE	1	
006	15400-RTA-004	CARTRIDGE, OIL FILTER (TOYO ROKI)	1	
007	15410-Z6L-000	BASE COMP., OIL FILTER	1	
009	15423-Z6L-000	HOLDER, OIL FILTER	1	
010	15424-Z6L-000	BOLT, SEALING	1	
010	15424-Z6L-000	BOLT, SEALING	4	
011	15655-Z6L-000	GAUGE COMP., OIL LEVEL	1	
012	15665-Z6L-000	PIPE COMP., OIL LEVEL	1	
013	16510-Z6L-000	GOVERNOR ASSY.	1	
Ref	Partnumber	Description	GX630R	Serial Numbers
014	16511-Z6L-300	WEIGHT, GOVERNOR	3	
015	16512-Z6L-300	HOLDER, GOVERNOR WEIGHT	1	
016	16513-Z6L-000	PIN, GOVERNOR WEIGHT	3	
017	16531-Z6L-000	SLIDER, GOVERNOR	1	
020	90403-Z6L-000	WASHER, 6X16	1	
021	90602-ZE1-000	CLIP, GOVERNOR HOLDER	1	
022	90707-Z6L-000	DOWEL PIN, 8X10	2	
023	90708-Z6L-000	DOWEL PIN, 8X14	2	
024	90902-Z6L-000	BALL, STEEL, #15 (15/32)	1	
025	91202-Z6L-003	OIL SEAL, 38X58X9	1	
026	91301-Z6L-003	O-RING, 14.8X2.4	1	
027	91302-Z6L-003	O-RING, OIL PUMP	1	
028	91308-PH9-000	O-RING, 8.8X1.9	1	
029	91308-Z6L-003	PACKING, OIL PASS	2	
030	95701-0602000	BOLT, FLANGE, 6X20	4	
031	95701-0602800	BOLT, FLANGE, 6X28	1	
033	95701-0609000	BOLT, FLANGE, 6X90	2	
034	95701-0804500	BOLT, FLANGE, 8X45	9	

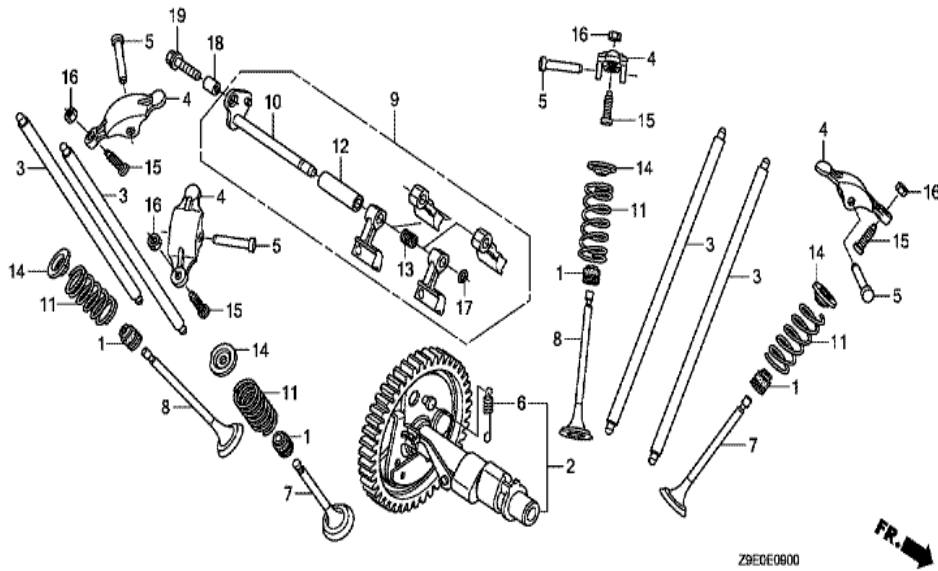


Z9E0E0700C

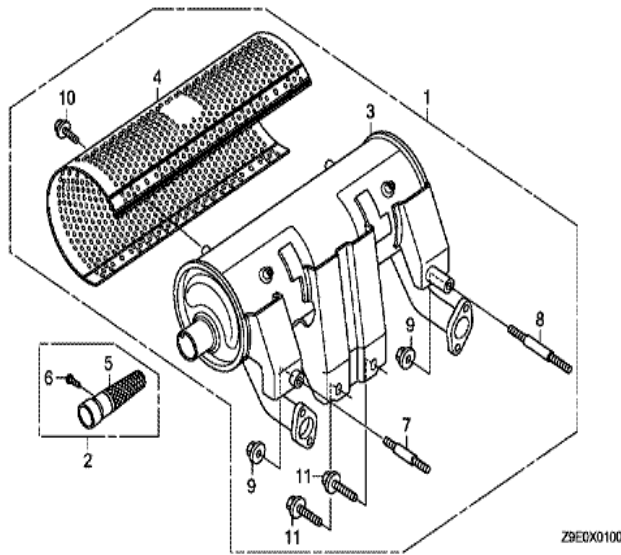
Ref	Partnumber	Description	GX630R	Serial Numbers
001	13310-Z6L-000	CRANKSHAFT COMP. (L=138)	1	
005	90402-Z6L-000	WASHER, CRANKSHAFT THRUST	1	
006	90741-ZE2-000	KEY, SPECIAL WOODRUFF, 25X18	1	
007	90745-ZE2-600	KEY, 6.3X6.3X43	1	



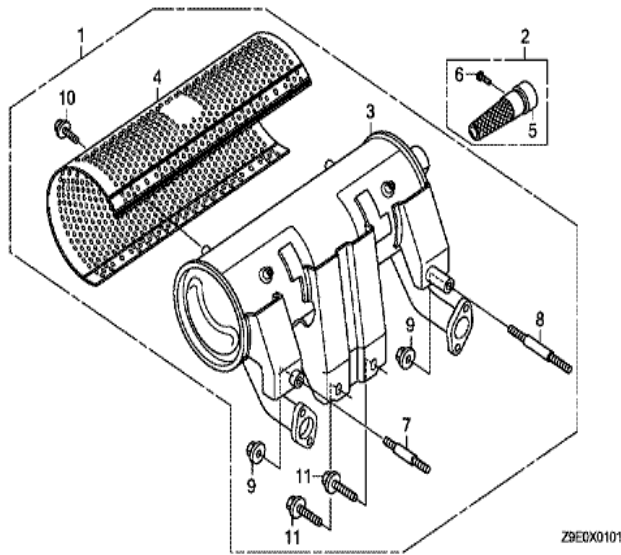
Ref	Partnumber	Description	GX630R	Serial Numbers
001	13010-Z6L-003	RING SET, PISTON (STD.) (TEIKOKU)	2	
002	13101-Z6L-000	PISTON	2	
003	13111-Z6L-000	PIN, PISTON	2	
004	13210-Z6L-000	ROD ASSY., CONNECTING	2	
005	13211-Z6L-003	BEARING A, CONNECTING ROD	4	
006	90001-Z6L-000	BOLT, CONNECTING ROD, 7X38	4	
007	90551-ZE1-000	CLIP, PISTON PIN, 18MM	4	
008	90705-Z6L-000	DOWEL PIN, 9X10	4	



<u>Ref</u>	<u>Partnumber</u>	<u>Description</u>	<u>GX630R</u>	<u>Serial Numbers</u>
001	12208-Z6L-003	SEAL, VALVE STEM	4	
002	14100-Z6L-000	CAMSHAFT ASSY.	1	
003	14410-Z6L-000	ROD COMP., PUSH	4	
004	14431-Z6L-000	ARM, VALVE ROCKER	4	
005	14461-Z6L-000	SHAFT, ROCKER ARM	4	
006	14568-Z6L-000	SPRING, WEIGHT RETURN	1	
007	14711-Z6L-000	VALVE, IN.	2	
008	14721-Z6L-000	VALVE, EX.	2	
009	14730-Z6L-000	LIFTER ASSY., VALVE	1	
010	14735-Z6L-000	SHAFT COMP., VALVE LIFTER	1	
011	14751-Z6L-000	SPRING, VALVE	4	
012	14763-Z6L-000	COLLAR, VALVE LIFTER	1	
013	14764-Z6L-000	SPRING, VALVE LIFTER	1	
<u>Ref</u>	<u>Partnumber</u>	<u>Description</u>	<u>GX630R</u>	<u>Serial Numbers</u>
014	14771-ZE1-000	RETAINER, IN. VALVE SPRING	4	
015	90012-Z6L-000	SCREW, TAPPET ADJUSTING	4	
016	90206-Z6L-000	NUT, TAPPET ADJUSTING	4	
017	90602-ZE1-000	CLIP, GOVERNOR HOLDER	1	
018	90707-Z6L-000	DOWEL PIN, 8X10	1	
019	95701-0602200	BOLT, FLANGE, 6X22	1	



<u>Ref</u>	<u>Partnumber</u>	<u>Description</u>	<u>GX630R</u>	<u>Serial Numbers</u>
001	06183-Z6L-010	MUFFLER KIT (HIGH-R)	(1)	
002	06185-Z6L-010	ARRESTER KIT (HIGH)	(1)	
002	06185-Z6L-010	ARRESTER KIT (HIGH)	(1)	
003	18310-Z6L-003	MUFFLER COMP. (HIGH-R)	(1)	
004	18321-ZJ1-010	PROTECTOR, MUFFLER (HIGH) (FUTABA)	(1)	
005	18355-ZJ1-010	ARRESTER, SPARK	(1)	
005	18355-ZJ1-010	ARRESTER, SPARK	(1)	
006	90007-Z6L-000	SCREW, TAPPING, 5X8	(1)	
006	93901-250J0	SCREW, TAPPING, 5X8	(1)	
007	92900-080450B	BOLT, STUD, 8X45	(1)	
008	92900-080600B	BOLT, STUD, 8X60	(1)	
009	94050-08000	NUT, FLANGE, 8MM	(2)	
010	95701-0600800	BOLT, FLANGE, 6X8	(6)	
<u>Ref</u>	<u>Partnumber</u>	<u>Description</u>	<u>GX630R</u>	<u>Serial Numbers</u>
011	95701-0802000	BOLT, FLANGE, 8X20	(2)	



<u>Ref</u>	<u>Partnumber</u>	<u>Description</u>	<u>GX630R</u>	<u>Serial Numbers</u>
001	06183-Z6L-801	MUFFLER KIT (HIGH-L)	(1)	
002	06185-Z6L-010	ARRESTER KIT (HIGH)	(1)	
002	06185-Z6L-010	ARRESTER KIT (HIGH)	(1)	
003	18310-Z6L-801	MUFFLER COMP. (HIGH-L)	(1)	
004	18321-ZJ1-010	PROTECTOR, MUFFLER (HIGH) (FUTABA)	(1)	
005	18355-ZJ1-010	ARRESTER, SPARK	(1)	
005	18355-ZJ1-010	ARRESTER, SPARK	(1)	
006	90007-Z6L-000	SCREW, TAPPING, 5X8	(1)	
006	93901-250J0	SCREW, TAPPING, 5X8	(1)	
007	92900-080450B	BOLT, STUD, 8X45	(1)	
008	92900-080600B	BOLT, STUD, 8X60	(1)	
009	94050-08000	NUT, FLANGE, 8MM	(2)	
010	95701-0600800	BOLT, FLANGE, 6X8	(6)	
<u>Ref</u>	<u>Partnumber</u>	<u>Description</u>	<u>GX630R</u>	<u>Serial Numbers</u>
011	95701-0802000	BOLT, FLANGE, 8X20	(2)	