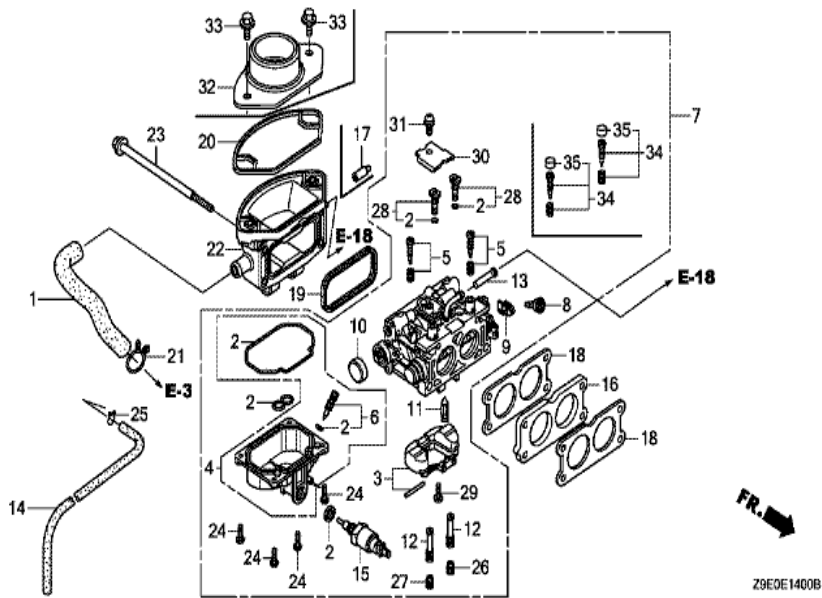


| <u>Ref</u> | <u>Partnumber</u> | <u>Description</u>      | <u>GX630R</u> | <u>Serial Numbers</u> |
|------------|-------------------|-------------------------|---------------|-----------------------|
| 001        | 16715-Z6L-000     | COVER, FUEL PUMP        | 1             |                       |
| 002        | 19610-Z6L-000ZA   | COVER COMP., FAN *R280* | 1             |                       |
| 002        | 19610-Z6L-000ZB   | COVER COMP., FAN *NH1*  | 1             |                       |
| 002        | 19610-Z6L-000ZB   | COVER COMP., FAN *NH1*  | 1             |                       |
| 003        | 19619-Z0A-300     | COLLAR, FAN COVER       | 10            |                       |
| 004        | 19621-Z6L-000     | PROTECTOR, FAN COVER    | 1             |                       |
| 006        | 19631-Z6L-000     | SHROUD, UPPER           | 1             |                       |
| 007        | 19641-Z6L-000     | SHROUD, R. LOWER        | 1             |                       |
| 008        | 19642-Z6L-000     | SHROUD, L. LOWER        | 1             |                       |
| 009        | 84601-HA7-670     | NUT, FENDER SETTING     | 2             |                       |
| 010        | 90005-Z6L-000     | SCREW, SPECIAL, 4X10    | 4             |                       |
| 011        | 90380-GM9-740     | SCREW, SPECIAL, 6X15    | 2             |                       |
| 012        | 93913-25580       | SCREW, TAPPING, 5X20    | 2             |                       |
| <u>Ref</u> | <u>Partnumber</u> | <u>Description</u>      | <u>GX630R</u> | <u>Serial Numbers</u> |
| 013        | 95701-0601600     | BOLT, FLANGE, 6X16      | 3             |                       |
| 014        | 95701-0602000     | BOLT, FLANGE, 6X20      | 8             |                       |
| 014        | 95701-0602000     | BOLT, FLANGE, 6X20      | 8             |                       |
| 019        | 95701-0602000     | BOLT, FLANGE, 6X20      | 2             |                       |

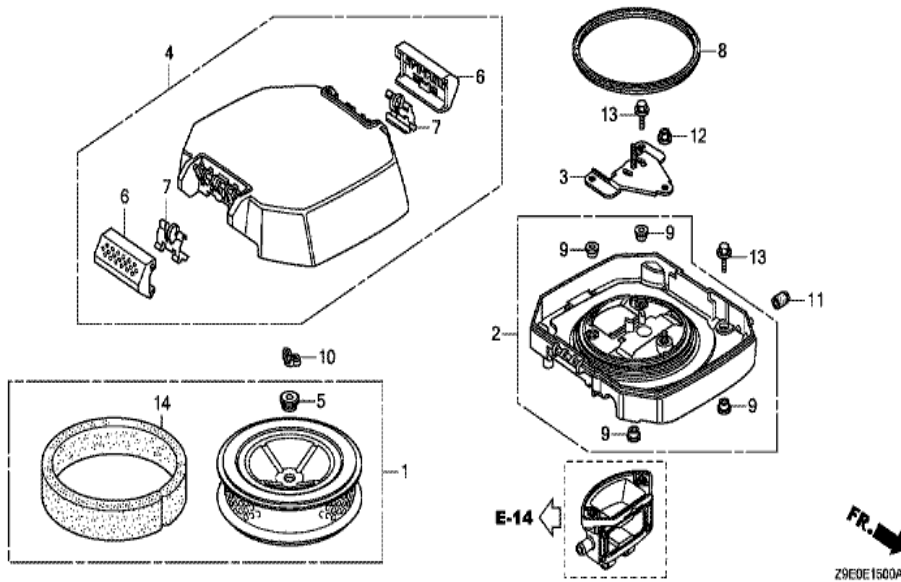


Z9E0E1400B

| Ref | Partnumber    | Description                | GX630R | Serial Numbers  |
|-----|---------------|----------------------------|--------|-----------------|
| 001 | 15721-Z6L-000 | TUBE, BREATHER             | 1      |                 |
| 002 | 16010-Z6L-003 | GASKET SET                 | 1      |                 |
| 003 | 16013-Z6L-003 | FLOAT SET                  | 1      |                 |
| 004 | 16015-Z6L-003 | CHAMBER SET, FLOAT         | 1      |                 |
| 005 | 16016-Z6L-003 | SCREW SET                  | 2      | BK07A A         |
| 005 | 16016-Z6L-003 | SCREW SET                  | 2      | BK07A A         |
| 006 | 16024-124-760 | SCREW SET, DRAIN           | 1      |                 |
| 007 | 16100-Z9E-003 | CARBURETOR ASSY. (BK07A A) | 1      |                 |
| 007 | 16100-Z9E-003 | CARBURETOR ASSY. (BK07A A) | 1      |                 |
| 007 | 16100-Z9E-003 | CARBURETOR ASSY. (BK07A A) | 1      | 1031792         |
| 007 | 16100-Z9E-003 | CARBURETOR ASSY. (BK07A A) | 1      | 1031792         |
| 007 | 16100-Z9E-013 | CARBURETOR ASSY. (BK07A B) | 1      | 1031793 1041143 |
| 007 | 16100-Z9E-013 | CARBURETOR ASSY. (BK07A B) | 1      | 1031793 1041143 |

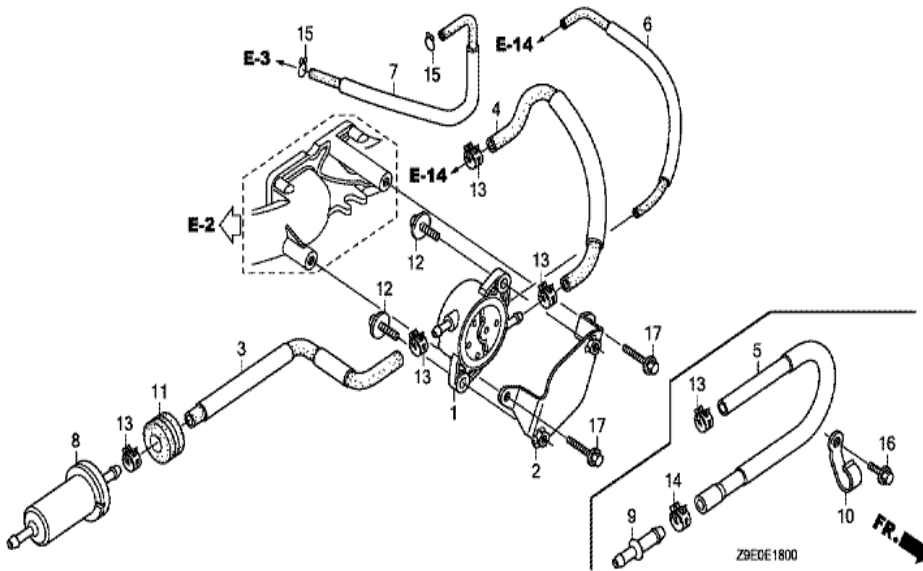
| <u>Ref</u> | <u>Partnumber</u> | <u>Description</u>         | <u>GX630R</u> | <u>Serial Numbers</u> |
|------------|-------------------|----------------------------|---------------|-----------------------|
| 007        | 16100-Z9E-023     | CARBURETOR ASSY. (BK07A C) | 1             | 1041144               |
| 007        | 16100-Z9E-023     | CARBURETOR ASSY. (BK07A C) | 1             | 1041144               |
| 008        | 16124-ZE0-005     | SCREW, THROTTLE STOP       | 1             |                       |
| 009        | 16126-Z6L-003     | ARM, THROTTLE LINKAGE      | 1             |                       |
| 010        | 16148-141-881     | CAP, CHOKE DUST            | 1             |                       |
| 011        | 16155-Z6L-003     | VALVE COMP., FLOAT         | 1             |                       |
| 012        | 16166-Z8N-003     | NOZZLE, MAIN               | 2             |                       |
| 012        | 16166-Z8N-003     | NOZZLE, MAIN               | 2             |                       |
| 012        | 16166-Z8N-003     | NOZZLE, MAIN               | 2             | BK07A B               |
| 012        | 16166-Z9E-003     | NOZZLE, MAIN               | 2             | BK07A C               |
| 013        | 16176-Z2G-D51     | SCREEN, FUEL STRAINER      | 1             |                       |
| 014        | 16198-Z6L-000     | TUBE, DRAIN                | 1             |                       |
| 015        | 16200-Z6L-003     | VALVE ASSY., SOLENOID      | 1             |                       |
| 016        | 16211-Z6L-000     | INSULATOR, CARBURETOR      | 1             |                       |
| 018        | 16221-Z6L-000     | PACKING, CARBURETOR        | 2             |                       |
| 019        | 17228-Z6L-000     | PACKING, AIR CLEANER       | 1             |                       |
| 020        | 17229-Z6L-000     | SEAL, AIR CLEANER CASE     | 1             |                       |
| 021        | 17369-KB4-670     | CLIP, BREATHER TUBE        | 1             |                       |
| 022        | 17410-Z6L-000     | ELBOW COMP., AIR CLEANER   | 1             |                       |
| 023        | 90003-Z6L-000     | BOLT, FLANGE, 6X106        | 4             |                       |
| 024        | 93500-040121H     | SCREW, PAN, 4X12           | 4             |                       |
| 025        | 95002-02080       | CLIP, TUBE (B8)            | 1             |                       |
| 026        | 99101-ZH80900     | JET, MAIN, #90             | (1)           |                       |
| 026        | 99101-ZH80900     | JET, MAIN, #90             | (1)           | BK07A B               |
| 026        | 99101-ZH80950     | JET, MAIN, #95             | (1)           |                       |
| 026        | 99101-ZH80950     | JET, MAIN, #95             | (1)           |                       |
| 026        | 99101-ZH80950     | JET, MAIN, #95             | (1)           | BK07A B               |
| 026        | 99101-ZH80980     | JET, MAIN, #98             | (1)           | BK07A C               |
| 026        | 99101-ZH80980     | JET, MAIN, #98             | (1)           | BK07A C               |
| 026        | 99101-ZH81020     | JET, MAIN, #102            | 1             |                       |
| 026        | 99101-ZH81020     | JET, MAIN, #102            | 1             |                       |
| 026        | 99101-ZH81020     | JET, MAIN, #102            | 1             |                       |
| 026        | 99101-ZH81020     | JET, MAIN, #102            | 1             | BK07A B               |

| <u>Ref</u> | <u>Partnumber</u> | <u>Description</u>   | <u>GX630R</u> | <u>Serial Numbers</u> |
|------------|-------------------|----------------------|---------------|-----------------------|
| 026        | 99101-ZH81020     | JET, MAIN, #102      | (1)           | BK07A C               |
| 026        | 99101-ZH81020     | JET, MAIN, #102      | 1             | BK07A B               |
| 026        | 99101-ZH81020     | JET, MAIN, #102      | (1)           | BK07A C               |
| 026        | 99101-ZH81100     | JET, MAIN, #110      | 1             | BK07A C               |
| 026        | 99101-ZH81100     | JET, MAIN, #110      | 1             | BK07A C               |
| 027        | 99101-ZH80920     | JET, MAIN, #92       | (1)           |                       |
| 027        | 99101-ZH80920     | JET, MAIN, #92       | (1)           | BK07A B               |
| 027        | 99101-ZH80980     | JET, MAIN, #98       | (1)           |                       |
| 027        | 99101-ZH80980     | JET, MAIN, #98       | (1)           |                       |
| 027        | 99101-ZH80980     | JET, MAIN, #98       | (1)           | BK07A C               |
| 027        | 99101-ZH80980     | JET, MAIN, #98       | (1)           |                       |
| 027        | 99101-ZH81020     | JET, MAIN, #102      | (1)           |                       |
| 027        | 99101-ZH81020     | JET, MAIN, #102      | (1)           | BK07A C               |
| 027        | 99101-ZH81050     | JET, MAIN, #105      | 1             |                       |
| 027        | 99101-ZH81050     | JET, MAIN, #105      | 1             |                       |
| 027        | 99101-ZH81050     | JET, MAIN, #105      | 1             | BK07A B               |
| 027        | 99101-ZH81050     | JET, MAIN, #105      | 1             | BK07A B               |
| 027        | 99101-ZH81050     | JET, MAIN, #105      | 1             | BK07G B               |
| 027        | 99101-ZH81100     | JET, MAIN, #110      | 1             | BK07A C               |
| 027        | 99101-ZH81100     | JET, MAIN, #110      | 1             | BK07A C               |
| 028        | 99204-ZE20400     | JET SET, PILOT, #40  | 2             |                       |
| 029        | 16081-Z6L-003     | SCREW, FLOAT         | 1             |                       |
| 030        | 16113-Z6L-003     | PLATE                | 1             |                       |
| 031        | 93892-0501018     | SCREW-WASHER, 5X10   | 1             |                       |
| 034        | 16016-Z6L-801     | SCREW SET            | 2             | BK07A B               |
| 035        | 16134-Z6L-801     | CAP, ADJUSTING SCREW | 2             | BK07A B               |

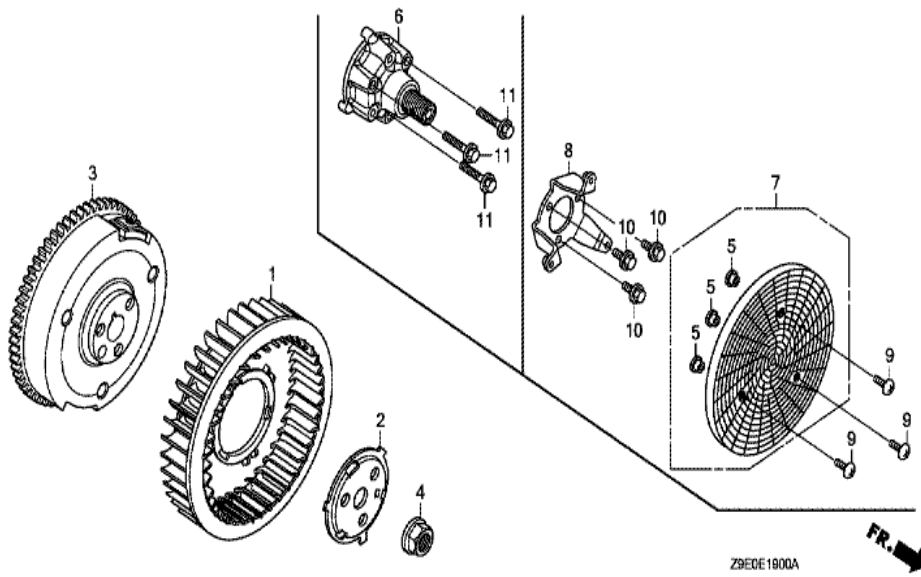


Z9E0E1500A

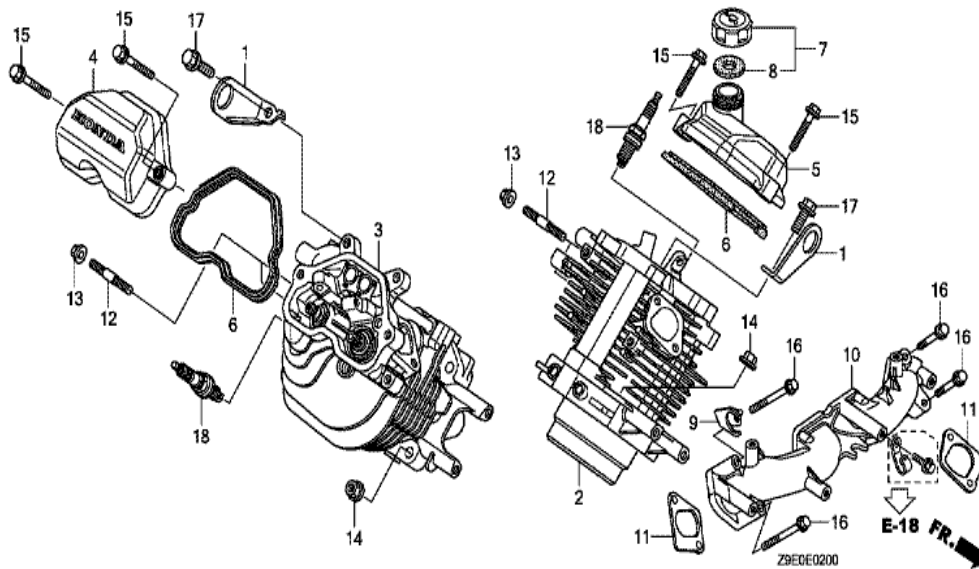
| <u>Ref</u> | <u>Partnumber</u> | <u>Description</u>              | <u>GX630R</u> | <u>Serial Numbers</u> |
|------------|-------------------|---------------------------------|---------------|-----------------------|
| 001        | 17210-Z6L-010     | ELEMENT COMP., AIR CLEANER      | 1             |                       |
| 001        | 17210-Z6L-010     | ELEMENT COMP., AIR CLEANER      | 1             |                       |
| 002        | 17220-Z6L-000     | CASE COMP., AIR CLEANER         | 1             |                       |
| 003        | 17223-Z6L-000     | STAY COMP., AIR CLEANER ELEMENT | 1             |                       |
| 004        | 17230-Z6L-000     | COVER COMP., AIR CLEANER        | 1             |                       |
| 005        | 17232-Z2E-000     | GROMMET, AIR CLEANER            | 1             |                       |
| 006        | 17235-Z6L-300     | KNOB, AIR CLEANER COVER         | 2             |                       |
| 007        | 17236-Z6L-300     | SPRING, AIR CLEANER CASE COVER  | 2             |                       |
| 008        | 17417-Z6L-000     | PACKING, AIR CLEANER CASE       | 1             |                       |
| 009        | 19619-Z0A-300     | COLLAR, FAN COVER               | 4             |                       |
| 010        | 90325-044-000     | NUT, TOOL BOX SETTING           | 1             |                       |
| 011        | 90802-Z6L-000     | CAP, SEALING                    | 1             |                       |
| 012        | 94050-06000       | NUT, FLANGE, 6MM                | 1             |                       |
| <u>Ref</u> | <u>Partnumber</u> | <u>Description</u>              | <u>GX630R</u> | <u>Serial Numbers</u> |
| 013        | 95701-0601800     | BOLT, FLANGE, 6X18              | 4             |                       |
| 014        | 17218-Z6L-000     | FILTER, OUTER                   | 1             |                       |



| <u>Ref</u> | <u>Partnumber</u> | <u>Description</u>       | <u>GX630R</u> | <u>Serial Numbers</u> |
|------------|-------------------|--------------------------|---------------|-----------------------|
| 001        | 16700-Z6L-003     | PUMP ASSY., FUEL         | 1             |                       |
| 002        | 16711-Z6L-000     | STAY, FUEL PUMP          | 1             |                       |
| 003        | 16850-Z6L-000     | TUBE COMP. A, FUEL (FKM) | 1             | 1015411               |
| 003        | 16850-Z6L-000     | TUBE COMP. A, FUEL (FKM) | 1             | 1015411               |
| 003        | 16850-Z6L-010     | TUBE COMP. A, FUEL (FKM) | 1             | 1015412               |
| 003        | 16850-Z6L-010     | TUBE COMP. A, FUEL (FKM) | 1             | 1015412               |
| 004        | 16860-Z6L-000     | TUBE COMP. B, FUEL (FKM) | 1             |                       |
| 006        | 16870-Z6L-000     | TUBE, PURGE              | 1             |                       |
| 007        | 16882-Z6L-000     | TUBE, DIAPHRAGM          | 1             |                       |
| 008        | 16910-Z6L-003     | STRAINER COMP., FUEL     | 1             |                       |
| 011        | 80152-958-680     | RUBBER, RR. FENDER       | 1             |                       |
| 012        | 93894-0601600     | SCREW-WASHER, 6X16       | 2             |                       |
| 013        | 95002-4100008     | CLAMP, TUBE (D10)        | 3             |                       |
| <u>Ref</u> | <u>Partnumber</u> | <u>Description</u>       | <u>GX630R</u> | <u>Serial Numbers</u> |
| 013        | 95002-4100008     | CLAMP, TUBE (D10)        | 4             |                       |
| 013        | 95002-4100008     | CLAMP, TUBE (D10)        | 4             |                       |
| 015        | 95002-70000       | CLIP, TUBE (C11)         | 2             |                       |
| 017        | 95701-0601400     | BOLT, FLANGE, 6X14       | 2             |                       |

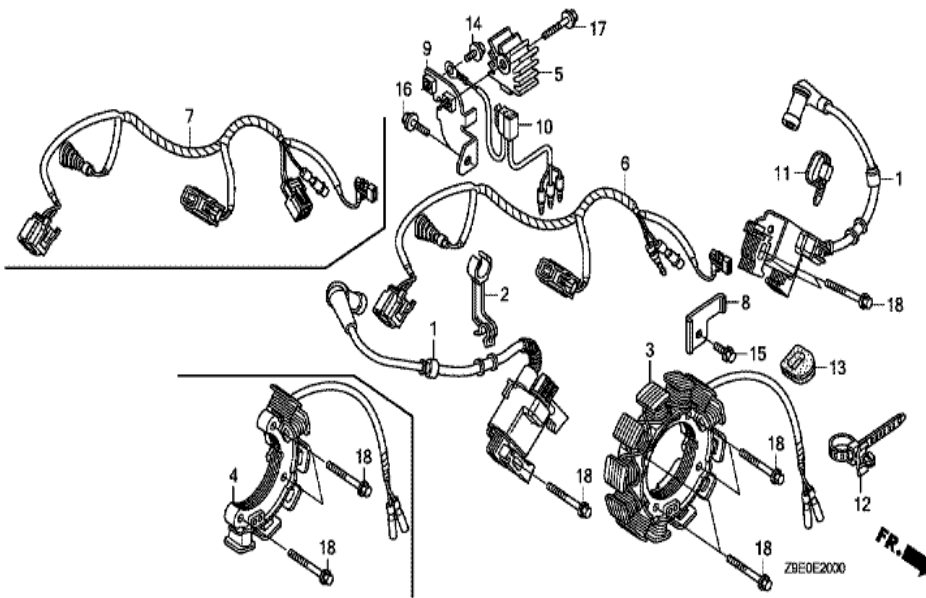


| Ref | Partnumber    | Description                | GX630R | Serial Numbers |
|-----|---------------|----------------------------|--------|----------------|
| 001 | 19511-Z6L-000 | FAN, COOLING               | 1      |                |
| 002 | 19513-Z6L-000 | PLATE, COOLING FAN SETTING | 1      |                |
| 003 | 31110-Z6L-003 | FLYWHEEL COMP.             | 1      |                |
| 004 | 90201-Z6L-000 | NUT, SPECIAL (20MM)        | 1      |                |

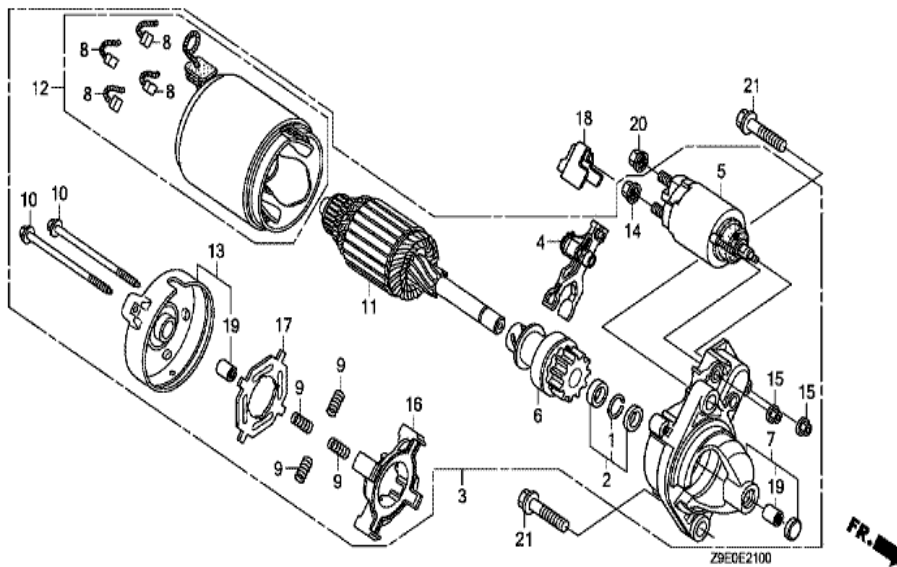


| <u>Ref</u> | <u>Partnumber</u> | <u>Description</u>        | <u>GX630R</u> | <u>Serial Numbers</u> |
|------------|-------------------|---------------------------|---------------|-----------------------|
| 001        | 11911-Z6L-000     | HANGER, ENGINE            | 2             |                       |
| 002        | 12110-Z6L-000     | HEAD COMP., CYLINDER (#1) | 1             | 1040054               |
| 002        | 12110-Z6L-010     | HEAD COMP., CYLINDER (#1) | 1             | 1040055               |
| 003        | 12120-Z6L-000     | HEAD COMP., CYLINDER (#2) | 1             | 1040054               |
| 003        | 12120-Z6L-010     | HEAD COMP., CYLINDER (#2) | 1             | 1040055               |
| 004        | 12311-Z6L-000     | COVER, CYLINDER HEAD      | 1             |                       |
| 005        | 12311-Z6L-800     | COVER, CYLINDER HEAD      | 1             |                       |
| 006        | 12312-Z6L-000     | PACKING, HEAD COVER       | 2             |                       |
| 007        | 15600-Z6L-000     | CAP ASSY., OIL FILLER     | 1             |                       |
| 008        | 15625-Z6L-000     | PACKING, OIL FILLER CAP   | 1             |                       |
| 009        | 16722-Z6L-000     | STAY, FUEL TUBE GROMMET   | 1             | 1040054               |
| 009        | 16722-Z6L-010     | STAY, FUEL TUBE GROMMET   | 1             | 1040055               |
| 010        | 17101-Z6L-000     | MANIFOLD, INTAKE          | 1             | 1040054               |
| <u>Ref</u> | <u>Partnumber</u> | <u>Description</u>        | <u>GX630R</u> | <u>Serial Numbers</u> |
| 010        | 17101-Z6L-010     | MANIFOLD, INTAKE          | 1             | 1040055               |
| 011        | 17151-Z6L-000     | PACKING, INTAKE MANIFOLD  | 2             | 1040054               |
| 011        | 17151-Z6L-010     | PACKING, INTAKE MANIFOLD  | 2             | 1040055               |
| 012        | 92900-080220E     | BOLT, STUD, 8X22          | 4             |                       |
| 013        | 94050-08000       | NUT, FLANGE, 8MM          | 4             |                       |
| 014        | 94050-10000       | NUT, FLANGE, 10MM         | 8             |                       |
| 015        | 95701-0603000     | BOLT, FLANGE, 6X30        | 4             |                       |
| 016        | 90006-Z6L-000     | BOLT, FLANGE, 8X55        | 4             | 1040055               |
| 016        | 95701-0605000     | BOLT, FLANGE, 6X50        | 4             |                       |
| 016        | 95701-0605000     | BOLT, FLANGE, 6X50        | 4             |                       |
| 016        | 95701-0605000     | BOLT, FLANGE, 6X50        | 4             | 1040054               |
| 017        | 95701-0801600     | BOLT, FLANGE, 8X16        | 2             |                       |
| 018        | 98079-5587G       | PLUG, SPARK (ZFR5F)       | 2             |                       |
| 018        | 98079-5587G       | PLUG, SPARK (ZFR5F)       | 2             |                       |

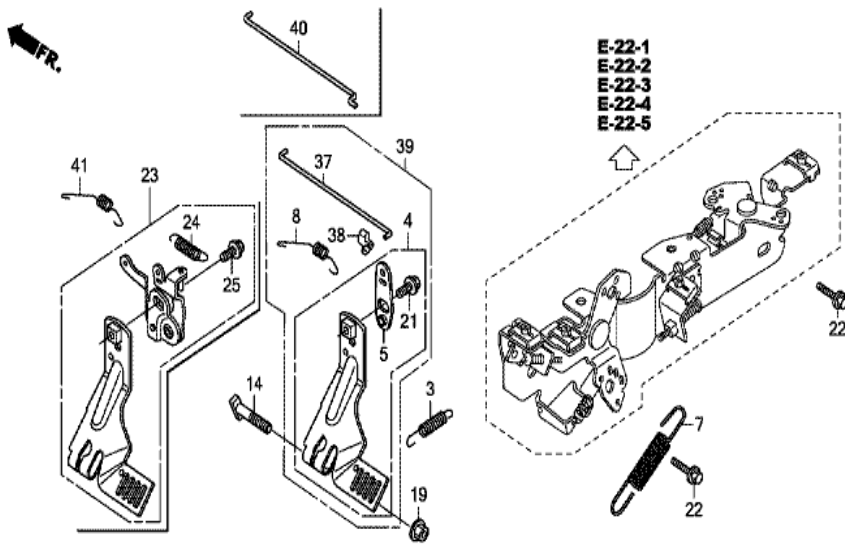




| Ref | Partnumber    | Description                 | GX630R | Serial Numbers |
|-----|---------------|-----------------------------|--------|----------------|
| 001 | 30500-Z6L-003 | COIL ASSY., IGNITION        | 2      |                |
| 002 | 30551-Z6L-000 | CLAMP, HIGH TENSION CORD    | 1      |                |
| 003 | 31630-Z6L-003 | COIL ASSY., CHARGE (17A)    | 1      |                |
| 006 | 32110-Z6L-000 | HARNESS ASSY., ENGINE WIRE  | 1      |                |
| 008 | 32114-Z6L-000 | BRACKET, HARNESS            | 1      |                |
| 011 | 90650-KV6-003 | BAND, WIRE, 95MM            | 1      |                |
| 012 | 90672-SB2-003 | STRAP, CABLE, 105MM (BLACK) | 1      |                |
| 013 | 91601-Z6L-000 | GROMMET, CORD               | 1      |                |
| 015 | 95701-0601200 | BOLT, FLANGE, 6X12          | 1      |                |
| 018 | 95701-0603200 | BOLT, FLANGE, 6X32          | 7      |                |
| 018 | 95701-0603200 | BOLT, FLANGE, 6X32          | 8      |                |
| 018 | 95701-0603200 | BOLT, FLANGE, 6X32          | 8      |                |



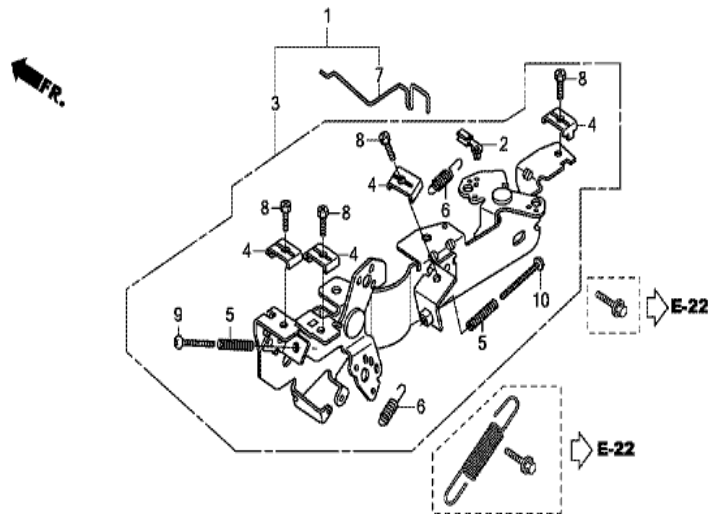
| <u>Ref</u> | <u>Partnumber</u> | <u>Description</u>          | <u>GX630R</u> | <u>Serial Numbers</u> |
|------------|-------------------|-----------------------------|---------------|-----------------------|
| 001        | 30201-PH9-004     | RING, SNAP (DENSO)          | 1             |                       |
| 002        | 30202-PZ1-003     | COLLAR SET, CLUTCH STOP     | 1             |                       |
| 003        | 31200-Z6L-003     | MOTOR ASSY., STARTER        | 1             |                       |
| 004        | 31203-PH9-004     | LEVER, PINION DRIVE         | 1             |                       |
| 005        | 31204-ZJ1-H02     | SWITCH ASSY., MAGNET        | 1             |                       |
| 006        | 31207-ZE9-H01     | CLUTCH COMP., OVERRUNNING   | 1             |                       |
| 007        | 31208-Z6L-003     | HOUSING COMP., DRIVE SIDE   | 1             |                       |
| 008        | 31211-PH9-004     | BRUSH                       | 4             |                       |
| 009        | 31212-PH9-004     | SPRING, BRUSH               | 4             |                       |
| 010        | 31214-PH9-004     | BOLT, THROUGH               | 2             |                       |
| 011        | 31217-Z0A-003     | ARMATURE COMP.              | 1             |                       |
| 012        | 31218-P64-N01     | YOKE COMP.                  | 1             |                       |
| 013        | 31219-Z6L-003     | FRAME COMP., COMMUTATOR END | 1             |                       |
| <u>Ref</u> | <u>Partnumber</u> | <u>Description</u>          | <u>GX630R</u> | <u>Serial Numbers</u> |
| 014        | 31220-PH9-004     | NUT, HEX., 8MM              | 1             |                       |
| 015        | 31223-PA0-006     | NUT, HEX.                   | 2             |                       |
| 016        | 31231-PH9-004     | HOLDER, BRUSH               | 1             |                       |
| 017        | 31233-PH9-004     | INSULATOR, BRUSH HOLDER     | 1             |                       |
| 018        | 31234-Z6L-000     | COVER, TERMINAL             | 1             |                       |
| 019        | 91002-ZG4-801     | BEARING A                   | 2             |                       |
| 020        | 94070-08080       | NUT-WASHER, 8MM             | 1             |                       |
| 021        | 95701-1004000     | BOLT, FLANGE, 10X40         | 2             |                       |



Z9E0E2200H

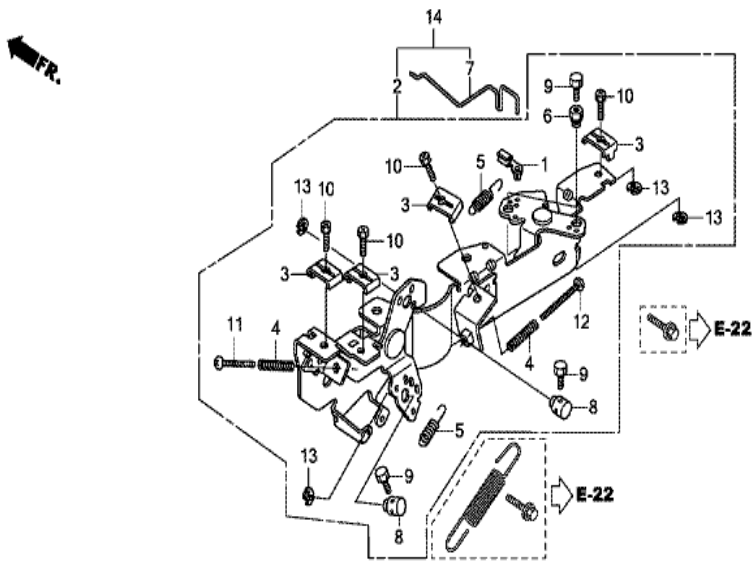
| Ref | Partnumber    | Description         | GX630R | Serial Numbers  |
|-----|---------------|---------------------|--------|-----------------|
| 001 | 16263-Z0G-010 | JOINT, ROD          | 1      |                 |
| 002 | 16500-Z6L-000 | CONTROL ASSY.       | 1      |                 |
| 002 | 16500-Z6L-000 | CONTROL ASSY.       | 1      | 1001284         |
| 002 | 16500-Z6L-010 | CONTROL ASSY.       | 1      | 1000442         |
| 002 | 16500-Z6L-010 | CONTROL ASSY.       | 1      | 1001284         |
| 003 | 16534-Z6L-000 | SPRING, STARTER     | 1      |                 |
| 004 | 16550-Z6L-000 | ARM COMP., GOVERNOR | 1      |                 |
| 004 | 16550-Z6L-000 | ARM COMP., GOVERNOR | 1      | 1004873         |
| 004 | 16550-Z6L-010 | ARM COMP., GOVERNOR | 1      | 1004874 1036758 |
| 004 | 16550-Z6L-020 | ARM COMP., GOVERNOR | 1      | 1036759         |
| 005 | 16553-Z6L-000 | ARM, SUB            | 1      |                 |
| 005 | 16553-Z6L-010 | ARM, SUB            | 1      | 1036759         |
| 006 | 16555-Z6L-000 | ROD, GOVERNOR       | 1      |                 |

| <u>Ref</u> | <u>Partnumber</u> | <u>Description</u>        | <u>GX630R</u> | <u>Serial Numbers</u> |
|------------|-------------------|---------------------------|---------------|-----------------------|
| 007        | 16561-Z6L-000     | SPRING, GOVERNOR          | 1             |                       |
| 008        | 16562-Z6L-000     | SPRING, THROTTLE RETURN   | 1             |                       |
| 008        | 16562-Z6L-010     | SPRING, THROTTLE RETURN   | 1             | 1036759               |
| 009        | 16576-891-000     | HOLDER, CABLE             | 2             |                       |
| 009        | 16576-891-000     | HOLDER, CABLE             | 2             |                       |
| 010        | 16584-883-300     | SPRING, CONTROL ADJUSTING | 1             |                       |
| 010        | 16584-883-300     | SPRING, CONTROL ADJUSTING | 2             |                       |
| 011        | 16592-ZJ1-000     | SPRING, CABLE RETURN      | 2             |                       |
| 012        | 16611-Z6L-000     | ROD, CHOKE CONTROL        | 1             |                       |
| 013        | 16617-Z6L-000     | HOLDER, CABLE             | 1             |                       |
| 013        | 16617-Z6L-000     | HOLDER, CABLE             | 1             | 1001285               |
| 014        | 90015-ZE3-790     | BOLT, GOVERNOR ARM        | 1             |                       |
| 015        | 92301-040060H     | BOLT, RECESSED, 4X6       | 1             |                       |
| 015        | 92301-040060H     | BOLT, RECESSED, 4X6       | 1             | 1001285               |
| 016        | 92301-050160A     | BOLT, RECESSED, 5X16      | 2             |                       |
| 016        | 92301-050160A     | BOLT, RECESSED, 5X16      | 2             |                       |
| 017        | 93500-050300A     | SCREW, PAN, 5X30          | 1             |                       |
| 018        | 93500-050400A     | SCREW, PAN, 5X40          | 1             |                       |
| 018        | 93500-050450A     | SCREW, PAN, 5X45          | 1             |                       |
| 018        | 93500-050450A     | SCREW, PAN, 5X45          | 1             |                       |
| 019        | 94050-06000       | NUT, FLANGE, 6MM          | 1             |                       |
| 020        | 94540-05018       | E-RING, 5MM               | 1             |                       |
| 020        | 94540-05018       | E-RING, 5MM               | 1             | 1001285               |
| 021        | 95701-0601000     | BOLT, FLANGE, 6X10        | 1             |                       |
| 022        | 95701-0601400     | BOLT, FLANGE, 6X14        | 2             |                       |
| 026        | 16500-Z6L-810     | CONTROL ASSY.             | 1             |                       |
| 026        | 16500-Z6L-810     | CONTROL ASSY.             | 1             | 1001285               |
| 029        | 16576-891-000     | HOLDER, CABLE             | 2             |                       |
| 030        | 16594-883-010     | HOLDER, WIRE              | 2             |                       |
| 030        | 16594-883-010     | HOLDER, WIRE              | 2             | 1001285               |
| 031        | 16617-Z6L-000     | HOLDER, CABLE             | 1             |                       |
| 031        | 16617-Z6L-000     | HOLDER, CABLE             | 1             | 1001285               |
| 032        | 92301-040060H     | BOLT, RECESSED, 4X6       | 1             |                       |
| <u>Ref</u> | <u>Partnumber</u> | <u>Description</u>        | <u>GX630R</u> | <u>Serial Numbers</u> |
| 032        | 92301-040060H     | BOLT, RECESSED, 4X6       | 1             | 1001285               |
| 033        | 92301-040060H     | BOLT, RECESSED, 4X6       | 2             |                       |
| 033        | 92301-040060H     | BOLT, RECESSED, 4X6       | 2             | 1001285               |
| 034        | 92301-050160A     | BOLT, RECESSED, 5X16      | 2             |                       |
| 035        | 94540-05018       | E-RING, 5MM               | 1             |                       |
| 035        | 94540-05018       | E-RING, 5MM               | 1             | 1001285               |
| 036        | 94540-05018       | E-RING, 5MM               | 2             |                       |
| 036        | 94540-05018       | E-RING, 5MM               | 2             | 1001285               |
| 037        | 16555-Z6L-010     | ROD, GOVERNOR             | 1             | 1036759               |
| 038        | 17957-Z6L-003     | BUSH, LINKAGE             | 1             | 1036759               |
| 039        | 04102-Z6L-000     | ARM KIT, GOVERNOR         | 1             | 1005199               |
| 039        | 04102-Z6L-000     | ARM KIT, GOVERNOR         | 1             | 1036758               |



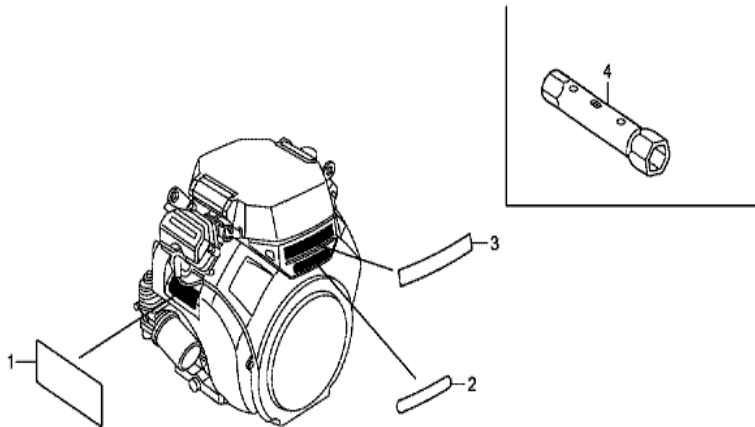
Z9E0E2201

| Ref | Partnumber    | Description               | GX630R | Serial Numbers |
|-----|---------------|---------------------------|--------|----------------|
| 002 | 16263-Z0G-010 | JOINT, ROD                | 1      | 1001284        |
| 003 | 16500-Z6L-010 | CONTROL ASSY.             | 1      | 1001284        |
| 004 | 16576-891-000 | HOLDER, CABLE             | 4      | 1001284        |
| 005 | 16584-883-300 | SPRING, CONTROL ADJUSTING | 2      | 1001284        |
| 006 | 16592-ZJ1-000 | SPRING, CABLE RETURN      | 2      | 1001284        |
| 007 | 16611-Z6L-000 | ROD, CHOKE CONTROL        | 1      | 1001284        |
| 008 | 92301-050160A | BOLT, RECESSED, 5X16      | 4      | 1001284        |
| 009 | 93500-050300A | SCREW, PAN, 5X30          | 1      | 1001284        |
| 010 | 93500-050450A | SCREW, PAN, 5X45          | 1      | 1001284        |



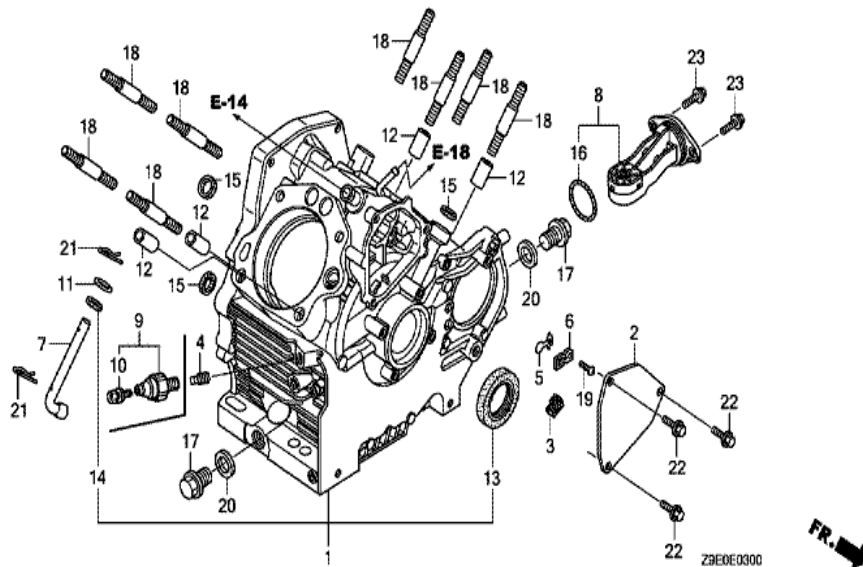
Z9E0E2203

| <u>Ref</u> | <u>Partnumber</u> | <u>Description</u>        | <u>GX630R</u> | <u>Serial Numbers</u> |
|------------|-------------------|---------------------------|---------------|-----------------------|
| 001        | 16263-Z0G-010     | JOINT, ROD                | 1             | 1001285               |
| 002        | 16500-Z6L-812     | CONTROL ASSY.             | 1             | 1030713               |
| 003        | 16576-891-000     | HOLDER, CABLE             | 4             | 1001285               |
| 004        | 16584-883-300     | SPRING, CONTROL ADJUSTING | 2             | 1001285               |
| 005        | 16592-ZJ1-000     | SPRING, CABLE RETURN      | 2             | 1001285               |
| 006        | 16594-883-010     | HOLDER, WIRE              | 2             | 1001285               |
| 007        | 16611-Z6L-010     | ROD, CHOKE CONTROL        | 1             | 1030713               |
| 008        | 16617-Z6L-000     | HOLDER, CABLE             | 2             | 1001285               |
| 009        | 92301-040060H     | BOLT, RECESSED, 4X6       | 4             | 1001285               |
| 010        | 92301-050160A     | BOLT, RECESSED, 5X16      | 4             | 1001285               |
| 011        | 93500-050300A     | SCREW, PAN, 5X30          | 1             | 1001285               |
| 012        | 93500-050450A     | SCREW, PAN, 5X45          | 1             | 1001285               |
| 013        | 94540-05018       | E-RING, 5MM               | 4             | 1001285               |
| <u>Ref</u> | <u>Partnumber</u> | <u>Description</u>        | <u>GX630R</u> | <u>Serial Numbers</u> |
| 014        | 04101-Z6L-810     | CONTROL KIT               | 1             | 1001285 1030712       |



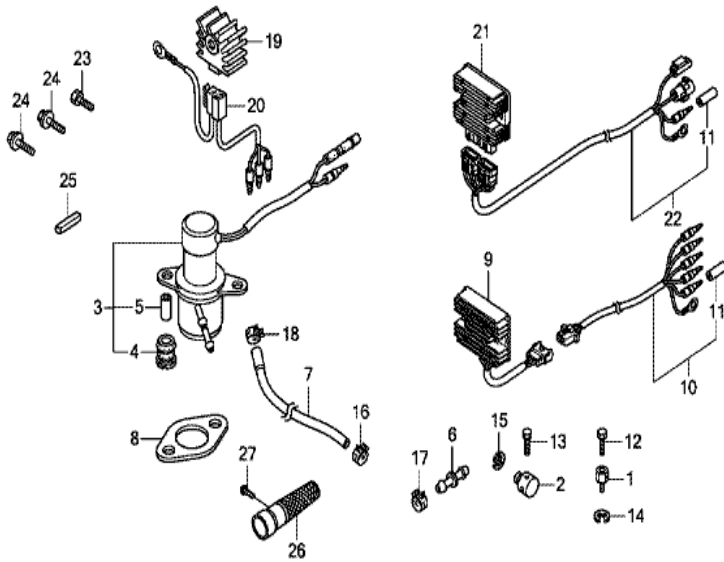
Z9E0E2800

| Ref | Partnumber    | Description                              | GX630R | Serial Numbers |
|-----|---------------|--|--------|----------------|
| 001 | 87516-ZH7-010 | MARK, OPERATOR CAUTION (ENGLISH) (MADE I | 1      |                |
| 002 | 87521-Z6N-000 | EMBLEM (GX630)                           | 1      |                |
| 002 | 87521-Z6N-000 | EMBLEM (GX630)                           | 1      |                |
| 003 | 87531-Z6L-000 | MARK, HONDA                              | 1      |                |



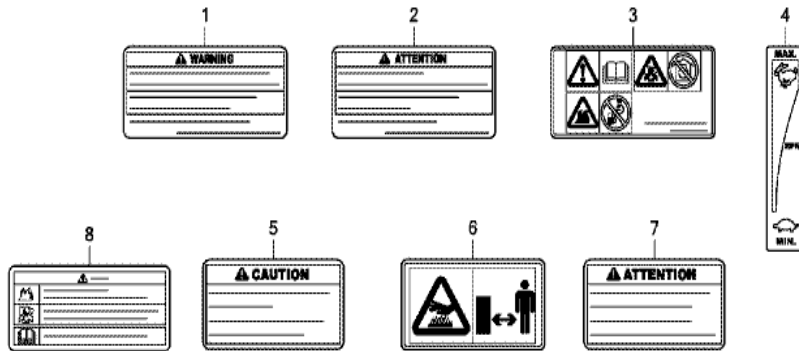
| <u>Ref</u> | <u>Partnumber</u> | <u>Description</u>       | <u>GX630R</u> | <u>Serial Numbers</u> |
|------------|-------------------|--------------------------|---------------|-----------------------|
| 001        | 11100-Z6L-000     | CRANKCASE ASSY.          | 1             | 1007046               |
| 001        | 11100-Z6L-000     | CRANKCASE ASSY.          | 1             | 1026017               |
| 001        | 11100-Z6L-010     | CRANKCASE ASSY.          | 1             | 1026018 1038735       |
| 001        | 11100-Z6L-830     | CRANKCASE ASSY.          | 1             | 1038736               |
| 002        | 12356-Z6L-000     | COVER, BREATHER          | 1             |                       |
| 003        | 12367-Z6L-000     | FILTER, BREATHER         | 1             |                       |
| 004        | 15424-Z6L-000     | BOLT, SEALING            | 1             |                       |
| 005        | 15571-ZM7-003     | VALVE, OIL OUTLET        | 1             |                       |
| 006        | 15572-Z6L-000     | PLATE, STOPPER           | 1             |                       |
| 007        | 16541-Z6L-000     | SHAFT, GOVERNOR ARM      | 1             | 1004873               |
| 007        | 16541-Z6L-010     | SHAFT, GOVERNOR ARM      | 1             | 1004874               |
| 011        | 90404-Z6L-000     | WASHER, PLAIN (10MM)     | 1             |                       |
| 012        | 90709-Z6L-000     | DOWEL PIN, 12X20         | 4             |                       |
| <u>Ref</u> | <u>Partnumber</u> | <u>Description</u>       | <u>GX630R</u> | <u>Serial Numbers</u> |
| 013        | 91201-Z6L-003     | OIL SEAL, 38X58X9        | 1             |                       |
| 014        | 91203-Z6L-003     | OIL SEAL, 10X16X5        | 1             |                       |
| 015        | 91308-Z6L-003     | PACKING, OIL PASS        | 3             |                       |
| 017        | 92800-20000       | BOLT, DRAIN PLUG, 20MM   | 2             |                       |
| 018        | 92900-100400B     | BOLT, STUD, 10X40        | 8             |                       |
| 019        | 93500-030080A     | SCREW, PAN, 3X8          | 1             |                       |
| 020        | 94109-20000       | WASHER, DRAIN PLUG, 20MM | 2             |                       |
| 021        | 94251-10000       | PIN, LOCK, 10MM          | 2             |                       |
| 022        | 95701-0601400     | BOLT, FLANGE, 6X14       | 3             |                       |





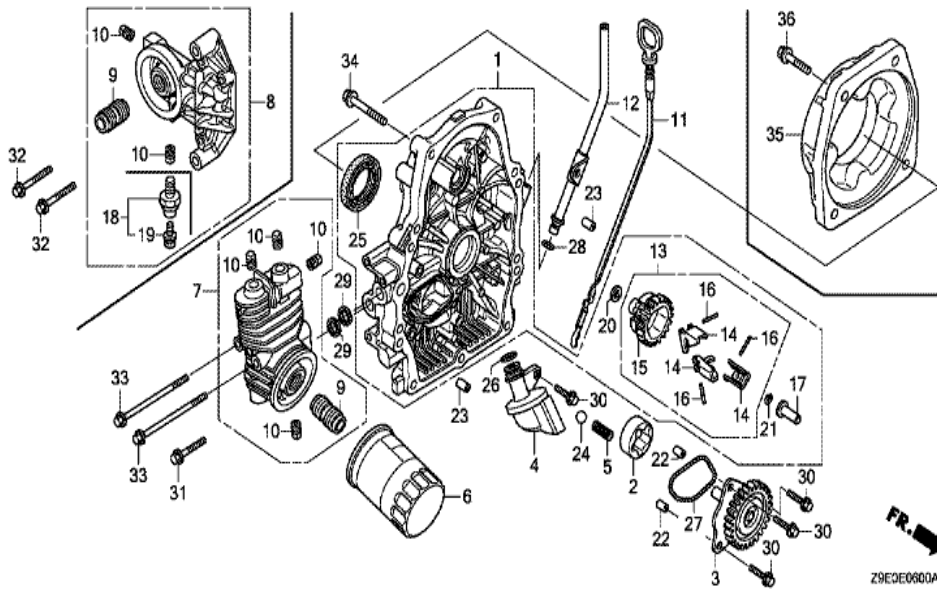
Z9E0E4000F

| <u>Ref</u> | <u>Partnumber</u> | <u>Description</u>               | <u>GX630R</u> | <u>Serial Numbers</u> |
|------------|-------------------|----------------------------------|---------------|-----------------------|
| 001        | 16594-883-010     | HOLDER, WIRE                     | 1             | 1000506               |
| 001        | 16594-883-010     | HOLDER, WIRE                     | 1             | 1001284               |
| 002        | 16617-Z6L-000     | HOLDER, CABLE                    | 1             |                       |
| 008        | 18333-ZE3-800     | GASKET, EX. PIPE                 | 2             |                       |
| 009        | 31750-Z2E-803     | RECTIFIER ASSY., REGULATOR (20A) | 1             |                       |
| 010        | 32105-Z6L-000     | HARNESS ASSY., SUB WIRE          | 1             |                       |
| 011        | 32824-ZV5-003     | PLUG, OUTER CONNECTOR            | 1             |                       |
| 012        | 92301-040060H     | BOLT, RECESSED, 4X6              | 1             | 1000506               |
| 012        | 92301-040060H     | BOLT, RECESSED, 4X6              | 1             | 1001284               |
| 013        | 92301-040060H     | BOLT, RECESSED, 4X6              | 1             | 1000338               |
| 013        | 92301-040060H     | BOLT, RECESSED, 4X6              | 1             | 1001284               |
| 014        | 94540-05018       | E-RING, 5MM                      | 1             | 1000506               |
| 014        | 94540-05018       | E-RING, 5MM                      | 1             | 1001284               |
| <u>Ref</u> | <u>Partnumber</u> | <u>Description</u>               | <u>GX630R</u> | <u>Serial Numbers</u> |
| 015        | 94540-05018       | E-RING, 5MM                      | 1             | 1000338               |
| 015        | 94540-05018       | E-RING, 5MM                      | 1             | 1001284               |



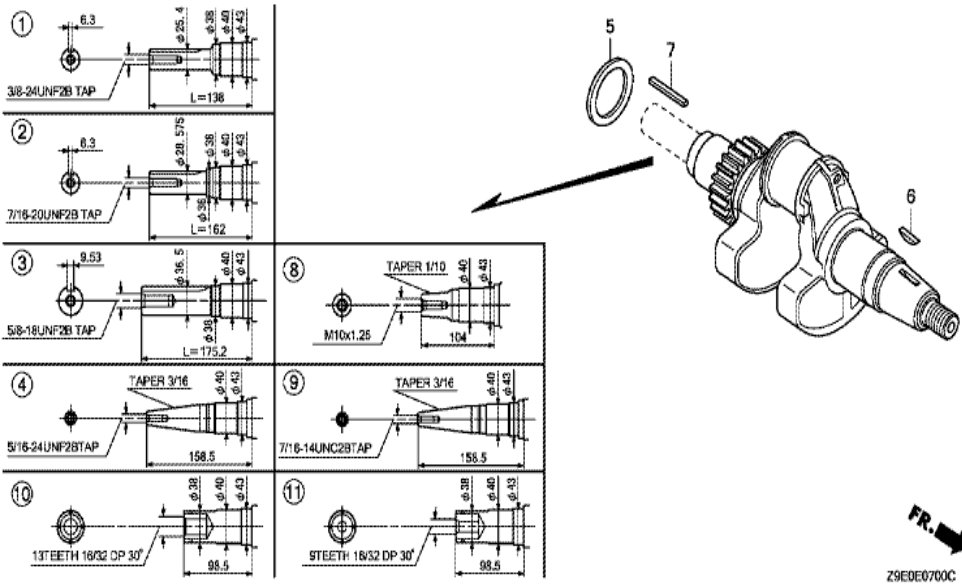
Z9E0E4001A

| Ref | Partnumber    | Description                              | GX630R | Serial Numbers |
|-----|---------------|--|--------|----------------|
| 002 | 87516-ZH7-801 | MARK, OPERATOR CAUTION (FRENCH) (MADE IN | 1      |                |
| 003 | 87519-ZH7-000 | MARK, OPERATOR CAUTION (PICTOGRAPH)      | 1      |                |
| 004 | 87532-ZH7-800 | MARK, THROTTLE INDICATION                | 1      |                |
| 005 | 87539-Z0J-000 | MARK, EX. CAUTION (ENGLISH)              | 1      |                |
| 005 | 87539-Z0J-000 | MARK, EX. CAUTION (ENGLISH)              | (1)    |                |
| 006 | 87539-Z0J-800 | MARK, EX. CAUTION (PICTOGRAPH)           | (1)    |                |
| 007 | 87539-Z0J-810 | MARK, EX. CAUTION (FRENCH)               | 1      |                |
| 007 | 87539-Z0J-810 | MARK, EX. CAUTION (FRENCH)               | (1)    |                |

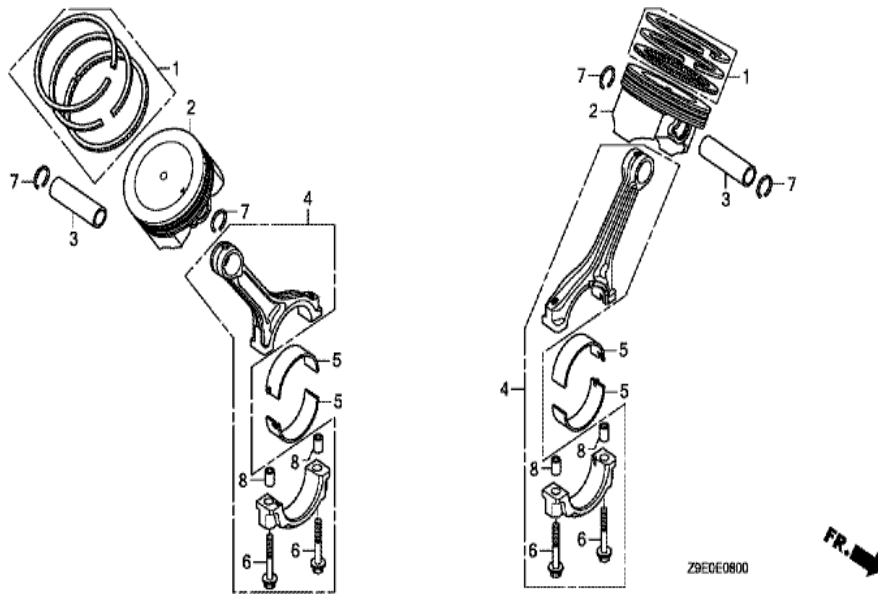


Z9E0E000A

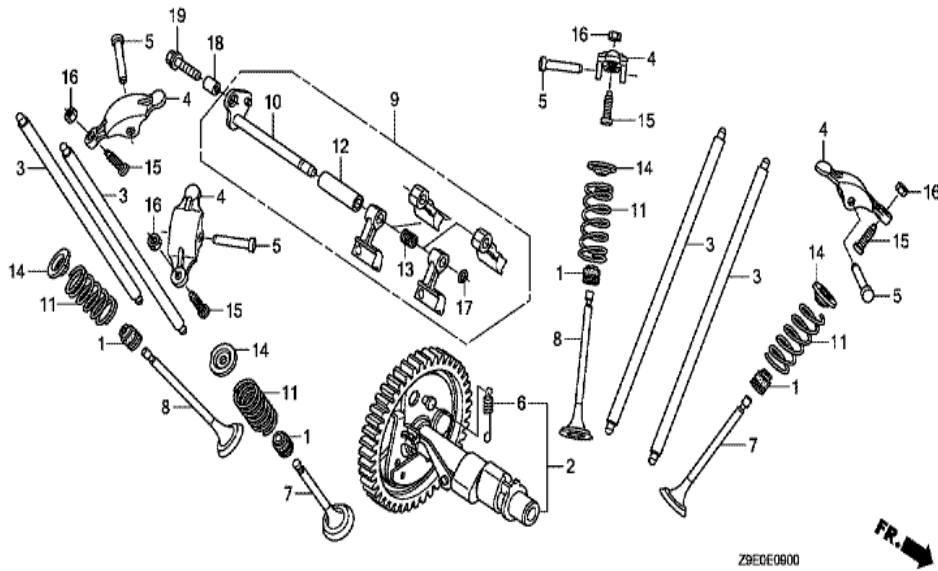
| <u>Ref</u> | <u>Partnumber</u> | <u>Description</u>                | <u>GX630R</u> | <u>Serial Numbers</u> |
|------------|-------------------|-----------------------------------|---------------|-----------------------|
| 001        | 11300-Z6L-000     | COVER ASSY., CRANKCASE            | 1             |                       |
| 002        | 15133-Z6L-000     | ROTOR, OIL PUMP OUTER             | 1             |                       |
| 003        | 15140-Z6L-000     | GEAR COMP., OIL PUMP              | 1             |                       |
| 004        | 15220-Z6L-000     | STRAINER COMP., OIL               | 1             |                       |
| 005        | 15232-Z6L-000     | SPRING, RELIEF VALVE              | 1             |                       |
| 006        | 15400-RTA-004     | CARTRIDGE, OIL FILTER (TOYO ROKI) | 1             |                       |
| 007        | 15410-Z6L-000     | BASE COMP., OIL FILTER            | 1             |                       |
| 009        | 15423-Z6L-000     | HOLDER, OIL FILTER                | 1             |                       |
| 010        | 15424-Z6L-000     | BOLT, SEALING                     | 1             |                       |
| 010        | 15424-Z6L-000     | BOLT, SEALING                     | 4             |                       |
| 011        | 15655-Z6L-000     | GAUGE COMP., OIL LEVEL            | 1             |                       |
| 012        | 15665-Z6L-000     | PIPE COMP., OIL LEVEL             | 1             |                       |
| 013        | 16510-Z6L-000     | GOVERNOR ASSY.                    | 1             |                       |
| <u>Ref</u> | <u>Partnumber</u> | <u>Description</u>                | <u>GX630R</u> | <u>Serial Numbers</u> |
| 014        | 16511-Z6L-300     | WEIGHT, GOVERNOR                  | 3             |                       |
| 015        | 16512-Z6L-300     | HOLDER, GOVERNOR WEIGHT           | 1             |                       |
| 016        | 16513-Z6L-000     | PIN, GOVERNOR WEIGHT              | 3             |                       |
| 017        | 16531-Z6L-000     | SLIDER, GOVERNOR                  | 1             |                       |
| 020        | 90403-Z6L-000     | WASHER, 6X16                      | 1             |                       |
| 021        | 90602-ZE1-000     | CLIP, GOVERNOR HOLDER             | 1             |                       |
| 022        | 90707-Z6L-000     | DOWEL PIN, 8X10                   | 2             |                       |
| 023        | 90708-Z6L-000     | DOWEL PIN, 8X14                   | 2             |                       |
| 024        | 90902-Z6L-000     | BALL, STEEL, #15 (15/32)          | 1             |                       |
| 025        | 91202-Z6L-003     | OIL SEAL, 38X58X9                 | 1             |                       |
| 026        | 91301-Z6L-003     | O-RING, 14.8X2.4                  | 1             |                       |
| 027        | 91302-Z6L-003     | O-RING, OIL PUMP                  | 1             |                       |
| 028        | 91308-PH9-000     | O-RING, 8.8X1.9                   | 1             |                       |
| 029        | 91308-Z6L-003     | PACKING, OIL PASS                 | 2             |                       |
| 030        | 95701-0602000     | BOLT, FLANGE, 6X20                | 4             |                       |
| 031        | 95701-0602800     | BOLT, FLANGE, 6X28                | 1             |                       |
| 033        | 95701-0609000     | BOLT, FLANGE, 6X90                | 2             |                       |
| 034        | 95701-0804500     | BOLT, FLANGE, 8X45                | 9             |                       |



| Ref | Partnumber    | Description                  | GX630R | Serial Numbers |
|-----|---------------|------------------------------|--------|----------------|
| 001 | 13310-Z6L-000 | CRANKSHAFT COMP. (L=138)     | 1      |                |
| 005 | 90402-Z6L-000 | WASHER, CRANKSHAFT THRUST    | 1      |                |
| 006 | 90741-ZE2-000 | KEY, SPECIAL WOODRUFF, 25X18 | 1      |                |



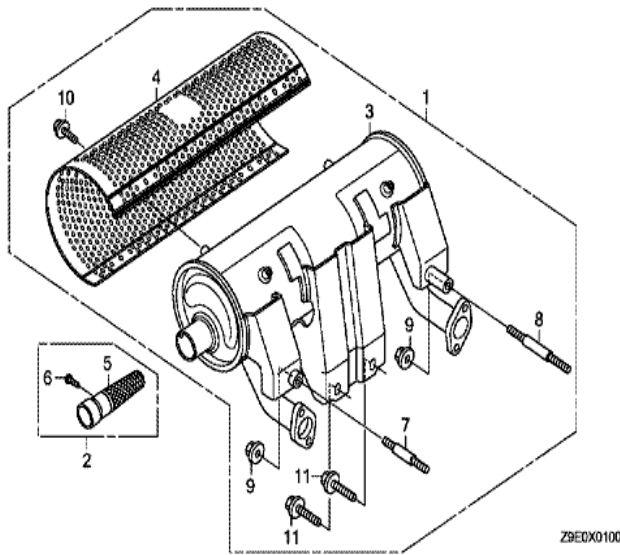
| Ref | Partnumber    | Description                       | GX630R | Serial Numbers |
|-----|---------------|-----------------------------------|--------|----------------|
| 001 | 13010-Z6L-003 | RING SET, PISTON (STD.) (TEIKOKU) | 2      |                |
| 002 | 13101-Z6L-000 | PISTON                            | 2      |                |
| 003 | 13111-Z6L-000 | PIN, PISTON                       | 2      |                |
| 004 | 13210-Z6L-000 | ROD ASSY., CONNECTING             | 2      |                |
| 005 | 13211-Z6L-003 | BEARING A, CONNECTING ROD         | 4      |                |
| 006 | 90001-Z6L-000 | BOLT, CONNECTING ROD, 7X38        | 4      |                |
| 007 | 90551-ZE1-000 | CLIP, PISTON PIN, 18MM            | 4      |                |
| 008 | 90705-Z6L-000 | DOWEL PIN, 9X10                   | 4      |                |



Z9E0E0900



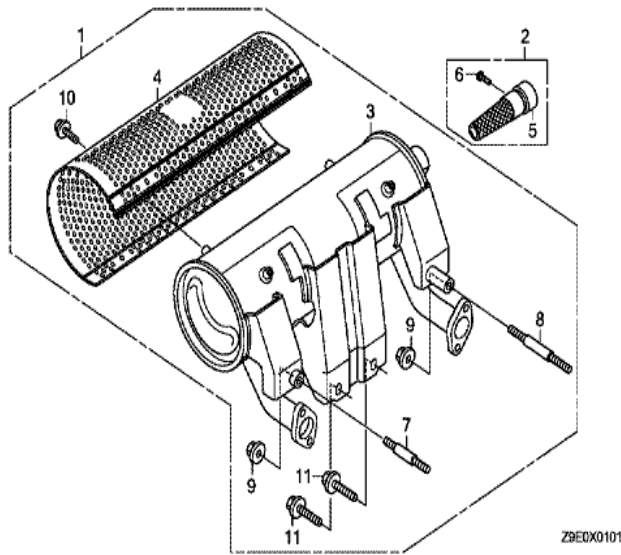
| <u>Ref</u> | <u>Partnumber</u> | <u>Description</u>         | <u>GX630R</u> | <u>Serial Numbers</u> |
|------------|-------------------|----------------------------|---------------|-----------------------|
| 001        | 12208-Z6L-003     | SEAL, VALVE STEM           | 4             |                       |
| 002        | 14100-Z6L-000     | CAMSHAFT ASSY.             | 1             |                       |
| 003        | 14410-Z6L-000     | ROD COMP., PUSH            | 4             |                       |
| 004        | 14431-Z6L-000     | ARM, VALVE ROCKER          | 4             |                       |
| 005        | 14461-Z6L-000     | SHAFT, ROCKER ARM          | 4             |                       |
| 006        | 14568-Z6L-000     | SPRING, WEIGHT RETURN      | 1             |                       |
| 007        | 14711-Z6L-000     | VALVE, IN.                 | 2             |                       |
| 008        | 14721-Z6L-000     | VALVE, EX.                 | 2             |                       |
| 009        | 14730-Z6L-000     | LIFTER ASSY., VALVE        | 1             |                       |
| 010        | 14735-Z6L-000     | SHAFT COMP., VALVE LIFTER  | 1             |                       |
| 011        | 14751-Z6L-000     | SPRING, VALVE              | 4             |                       |
| 012        | 14763-Z6L-000     | COLLAR, VALVE LIFTER       | 1             |                       |
| 013        | 14764-Z6L-000     | SPRING, VALVE LIFTER       | 1             |                       |
| <u>Ref</u> | <u>Partnumber</u> | <u>Description</u>         | <u>GX630R</u> | <u>Serial Numbers</u> |
| 014        | 14771-ZE1-000     | RETAINER, IN. VALVE SPRING | 4             |                       |
| 015        | 90012-Z6L-000     | SCREW, TAPPET ADJUSTING    | 4             |                       |
| 016        | 90206-Z6L-000     | NUT, TAPPET ADJUSTING      | 4             |                       |
| 017        | 90602-ZE1-000     | CLIP, GOVERNOR HOLDER      | 1             |                       |
| 018        | 90707-Z6L-000     | DOWEL PIN, 8X10            | 1             |                       |
| 019        | 95701-0602200     | BOLT, FLANGE, 6X22         | 1             |                       |



FR. →

Z9EQX0100

| <u>Ref</u> | <u>Partnumber</u> | <u>Description</u>                 | <u>GX630R</u> | <u>Serial Numbers</u> |
|------------|-------------------|------------------------------------|---------------|-----------------------|
| 001        | 06183-Z6L-010     | MUFFLER KIT (HIGH-R)               | (1)           |                       |
| 002        | 06185-Z6L-010     | ARRESTER KIT (HIGH)                | (1)           |                       |
| 002        | 06185-Z6L-010     | ARRESTER KIT (HIGH)                | (1)           |                       |
| 003        | 18310-Z6L-003     | MUFFLER COMP. (HIGH-R)             | (1)           |                       |
| 004        | 18321-ZJ1-010     | PROTECTOR, MUFFLER (HIGH) (FUTABA) | (1)           |                       |
| 005        | 18355-ZJ1-010     | ARRESTER, SPARK                    | (1)           |                       |
| 005        | 18355-ZJ1-010     | ARRESTER, SPARK                    | (1)           |                       |
| 006        | 90007-Z6L-000     | SCREW, TAPPING, 5X8                | (1)           |                       |
| 006        | 93901-250J0       | SCREW, TAPPING, 5X8                | (1)           |                       |
| 007        | 92900-080450B     | BOLT, STUD, 8X45                   | (1)           |                       |
| 008        | 92900-080600B     | BOLT, STUD, 8X60                   | (1)           |                       |
| 009        | 94050-08000       | NUT, FLANGE, 8MM                   | (2)           |                       |
| 010        | 95701-0600800     | BOLT, FLANGE, 6X8                  | (6)           |                       |
| <u>Ref</u> | <u>Partnumber</u> | <u>Description</u>                 | <u>GX630R</u> | <u>Serial Numbers</u> |
| 011        | 95701-0802000     | BOLT, FLANGE, 8X20                 | (2)           |                       |



| <u>Ref</u> | <u>Partnumber</u> | <u>Description</u>                 | <u>GX630R</u> | <u>Serial Numbers</u> |
|------------|-------------------|------------------------------------|---------------|-----------------------|
| 001        | 06183-Z6L-801     | MUFFLER KIT (HIGH-L)               | (1)           |                       |
| 002        | 06185-Z6L-010     | ARRESTER KIT (HIGH)                | (1)           |                       |
| 002        | 06185-Z6L-010     | ARRESTER KIT (HIGH)                | (1)           |                       |
| 003        | 18310-Z6L-801     | MUFFLER COMP. (HIGH-L)             | (1)           |                       |
| 004        | 18321-ZJ1-010     | PROTECTOR, MUFFLER (HIGH) (FUTABA) | (1)           |                       |
| 005        | 18355-ZJ1-010     | ARRESTER, SPARK                    | (1)           |                       |
| 005        | 18355-ZJ1-010     | ARRESTER, SPARK                    | (1)           |                       |
| 006        | 90007-Z6L-000     | SCREW, TAPPING, 5X8                | (1)           |                       |
| 006        | 93901-250J0       | SCREW, TAPPING, 5X8                | (1)           |                       |
| 007        | 92900-080450B     | BOLT, STUD, 8X45                   | (1)           |                       |
| 008        | 92900-080600B     | BOLT, STUD, 8X60                   | (1)           |                       |
| 009        | 94050-08000       | NUT, FLANGE, 8MM                   | (2)           |                       |
| 010        | 95701-0600800     | BOLT, FLANGE, 6X8                  | (6)           |                       |
| <u>Ref</u> | <u>Partnumber</u> | <u>Description</u>                 | <u>GX630R</u> | <u>Serial Numbers</u> |
| 011        | 95701-0802000     | BOLT, FLANGE, 8X20                 | (2)           |                       |