

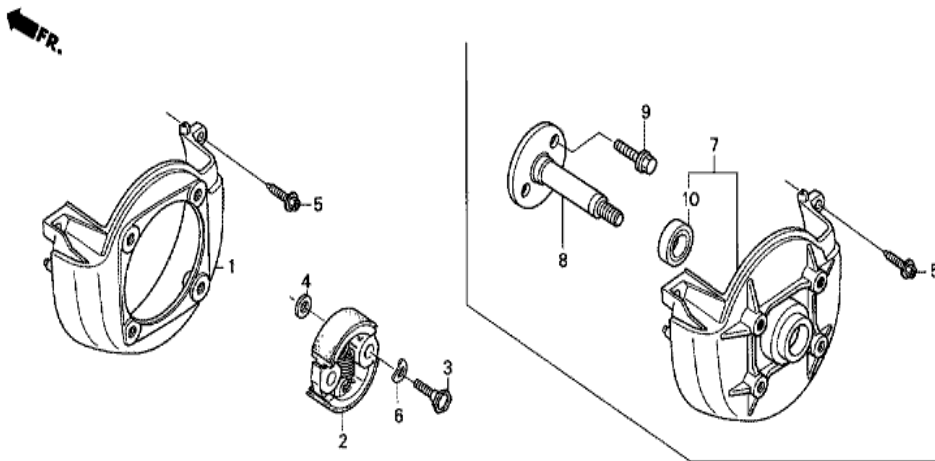
ZOHCE1000A



Ref	Partnumber	Description	GX25	Serial Numbers
001	12209-ZOH-003	SEAL, VALVE STEM	1	
002	14126-ZOH-003	ROLLER, 4X29.8	1	
003	14320-ZOH-010	PULLEY COMP., CAMSHAFT	1	1073686
004	14400-ZOH-003	BELT, TIMING (71ZU6 G-300)	1	
005	14711-ZOH-000	VALVE, IN.	1	
006	14721-ZOH-000	VALVE, EX.	1	
007	14751-ZOH-000	SPRING, VALVE	2	
008	14771-ZOH-000	RETAINER, VALVE SPRING	2	

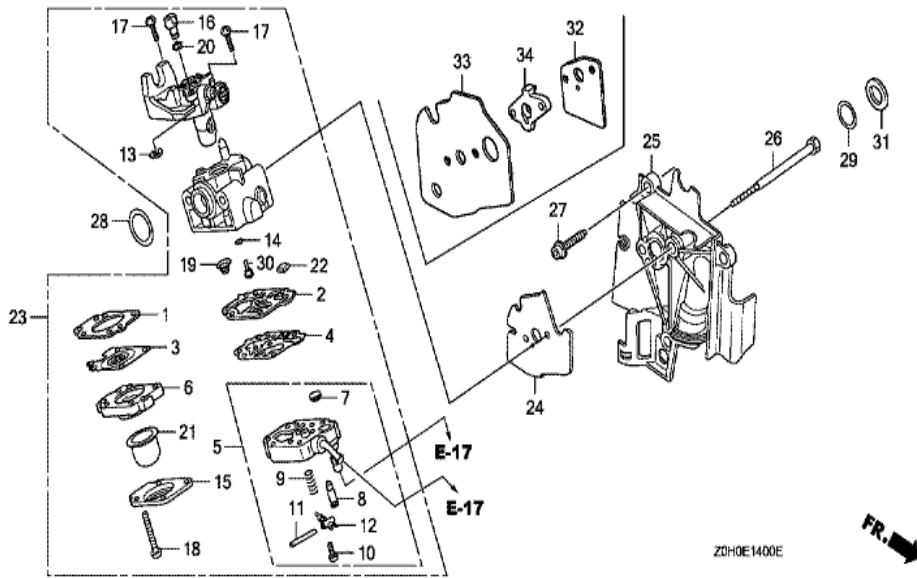


Ref	Partnumber	Description	GX25	Serial Numbers
001	28400-ZOH-003	STARTER ASSY., RECOIL	1	
002	28414-ZOH-003	CASE, RECOIL STARTER	1	
003	28421-ZOH-003	REEL, RECOIL STARTER	1	
004	28433-ZM3-003	GUIDE, ROPE	1	
005	28442-ZOH-003	SPRING, RECOIL STARTER	1	
006	28451-ZOH-003	PULLEY, RECOIL STARTER	1	
007	28459-ZOH-003	ARM, SWING	1	
008	28461-ZM3-003	KNOB, RECOIL STARTER	1	
009	28462-ZM3-003	ROPE, RECOIL STARTER	1	
010	90012-ZM3-003	SCREW, SETTING	1	
011	90018-ZOH-003	BOLT, SOCKET, 5X16	1	
012	91504-ZM3-003	COLLAR	1	
013	91506-ZM3-000	COLLAR A, HEAD COVER	3	



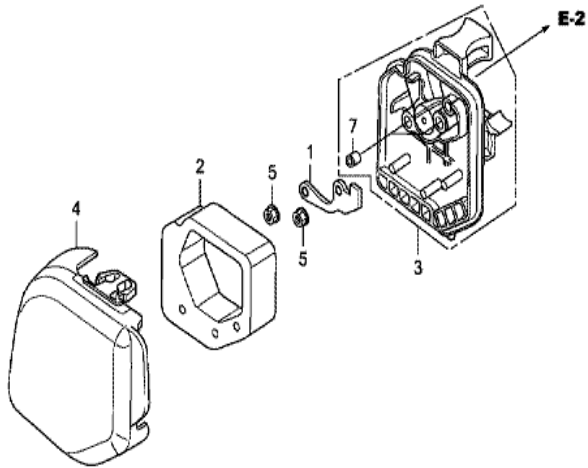
ZOH0-E12008

Ref	Partnumber	Description	GX25	Serial Numbers
001	19611-ZOH-000	COVER, FAN	1	
002	22000-ZOH-801	CLUTCH ASSY.	1	1230202
002	22000-ZOH-U61	CLUTCH ASSY.	1	1230203
003	22253-ZOH-003	BOLT, CLUTCH (6MM)	2	
003	22253-ZOH-U61	BOLT, CLUTCH (6MM)	2	1230203
004	22254-ZOH-U61	WASHER, CLUTCH (6X16.5)	2	1230203
004	22254-ZM3-003	WASHER, CLUTCH (6X15)	2	
005	90009-ZOH-003	BOLT, SOCKET, 5X20	3	
006	22254-ZOH-003	WASHER, WAVE (8MM)	2	
006	22256-ZOH-U61	WASHER, WAVE (8.2X16)	2	1230203



Ref	Partnumber	Description	GX25	Serial Numbers
001	16010-ZM3-004	GASKET, METERING DIAPHRAGM	1	
002	16011-ZOH-003	GASKET, PUMP	1	
002	16011-ZOH-013	GASKET, PUMP	1	
003	16013-ZOH-003	DIAPHRAGM ASSY., METERING	1	
004	16014-ZM3-004	DIAPHRAGM, PUMP	1	
005	16015-ZOH-003	BODY ASSY., PUMP	1	
005	16015-ZOH-013	BODY ASSY., PUMP	1	WYB 6D
006	16017-ZM3-004	BODY ASSY., AIR PURGE	1	
007	16018-ZM3-802	SCREEN, INLET	1	
008	16019-ZM3-004	VALVE, INLET NEEDLE	1	
009	16020-ZM3-004	SPRING, METERING LEVER	1	
010	16021-ZM3-004	SCREW, METERING LEVER PIN	1	
011	16022-ZM3-014	PIN, METERING LEVER	1	

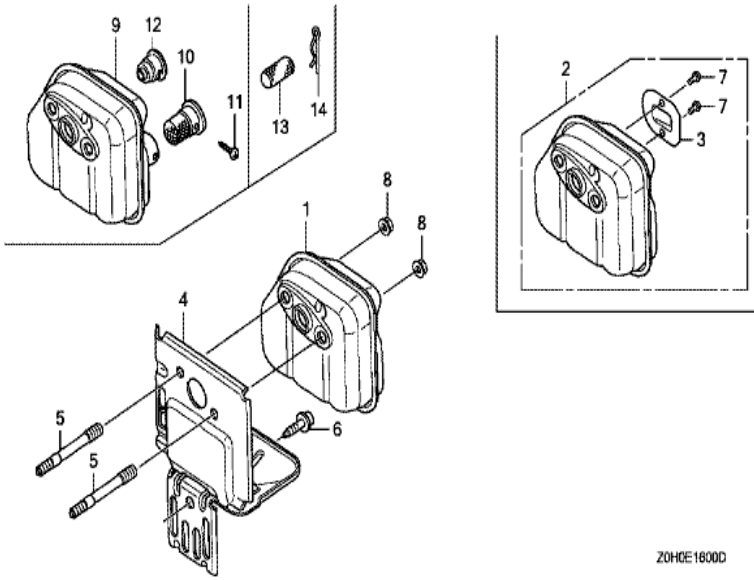
<u>Ref</u>	<u>Partnumber</u>	<u>Description</u>	<u>GX25</u>	<u>Serial Numbers</u>	
012	16023-ZM3-004	LEVER, METERING	1		
013	16024-ZOH-003	RING, RETAINING	1		
014	16025-ZM3-004	O-RING	1		
015	16026-ZM3-004	COVER, PRIMER PUMP	1		
016	16027-ZM3-004	SWIVEL	1		
017	16028-ZM3-004	SCREW, THROTTLE COLLAR	2		
018	16029-ZM3-004	SCREW, PUMP COVER	4		
019	16030-ZM3-004	SPRING, PUMP	1		
020	16031-ZM3-004	WASHER	1		
021	16032-ZM3-004	PUMP, PRIMER	1		
022	16035-ZM3-802	FILTER, FUEL INLET	1		
023	16100-ZOH-812	CARBURETOR ASSY. (WYB 8)	1	1000491	
023	16100-ZOH-813	CARBURETOR ASSY. (WYB 8)	1	1220678	1381296
023	16100-ZOH-814	CARBURETOR ASSY. (WYB 8A)	1	1381297	
024	16221-ZOH-000	PACKING, CARBURETOR	1		
025	19631-ZOH-000	SHROUD	1		
026	90014-ZOH-003	BOLT, 5X53	2		
026	90014-ZOH-801	BOLT, 5X59	2	1230203	
027	90018-ZOH-003	BOLT, SOCKET, 5X16	3		
028	91301-ZM3-000	O-RING, 14.8X2.4	1		
029	91308-ZOH-003	O-RING, 12.3X2.4	1		
030	99101-ZOH0320	JET (#32)	(1)		
030	99101-ZM50330	JET (#33)	(1)		WYB 7B
030	99101-ZM50340	JET (#34)	1		
031	90401-ZOH-000	WASHER	1		1208427
032	16221-ZM3-000	PACKING, CARBURETOR	1	1230203	
033	16222-ZOH-800	PACKING, SHROUD	1	1230203	
034	19632-ZOH-800	SPACER, SHROUD	1	1230203	



ZOHCE1500D



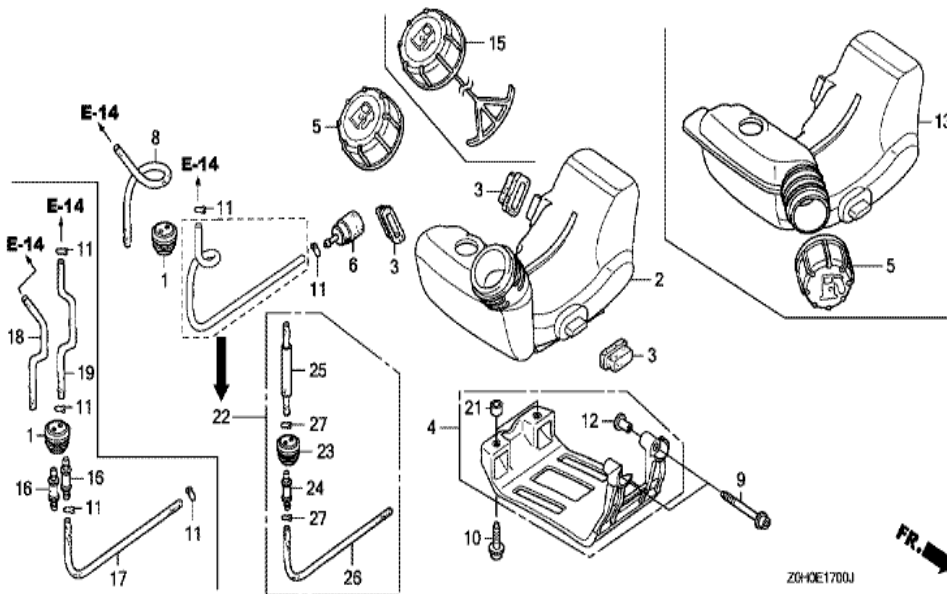
<u>Ref</u>	<u>Partnumber</u>	<u>Description</u>	<u>GX25</u>	<u>Serial Numbers</u>
001	17204-ZOH-000	PLATE, OIL TRAP	1	
002	17211-ZOH-000	ELEMENT, AIR CLEANER	1	
003	17220-ZOH-000	CASE COMP., AIR CLEANER	1	
004	17231-ZOH-000	COVER, AIR CLEANER	1	
005	94050-05000	NUT, FLANGE, 5MM	2	
007	91503-ZM3-000	COLLAR, AIR CLEANER	2	



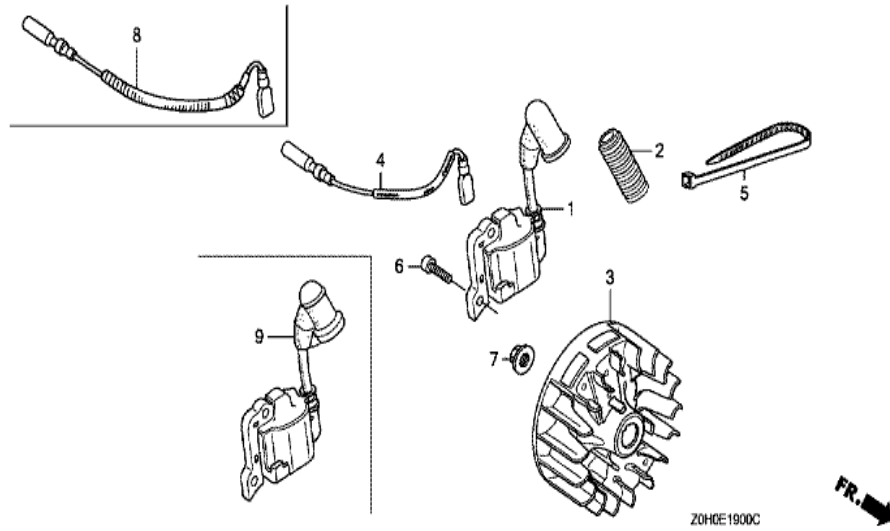
Z0HCE1600D



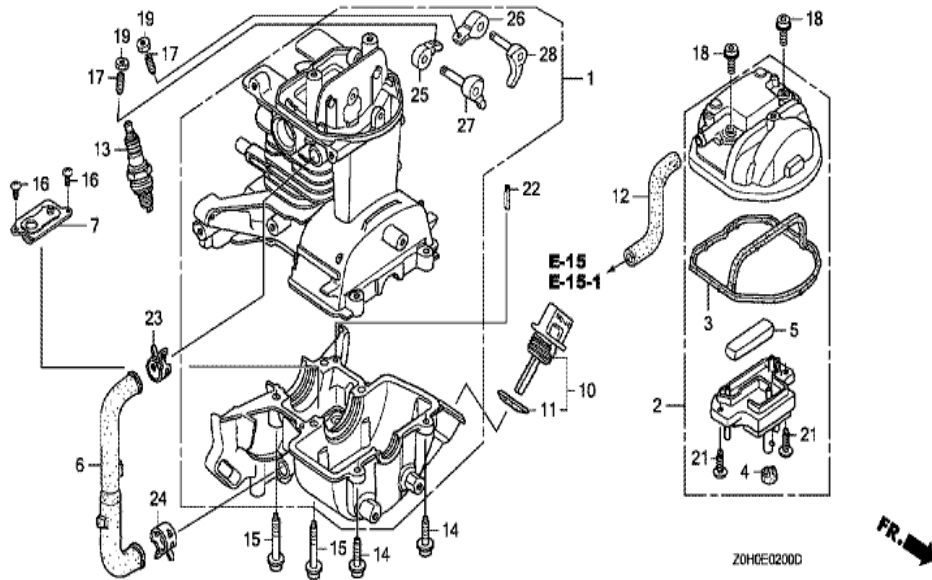
Ref	Partnumber	Description	GX25	Serial Numbers
001	18310-ZOH-000	MUFFLER COMP.	1	
004	18515-ZOH-000	GUIDE, AIR EX.	1	
005	90001-ZOH-003	BOLT, STUD, 5X52	2	
006	90011-ZOH-003	BOLT, SOCKET, 5X10 (CT)	1	
008	90136-SM4-901	NUT, SELF-LOCK, 5MM	2	



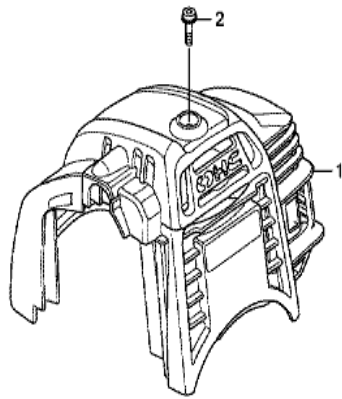
<u>Ref</u>	<u>Partnumber</u>	<u>Description</u>	<u>GX25</u>	<u>Serial Numbers</u>
001	17504-ZM3-003	GROMMET, FUEL TUBE	1	
002	17511-ZOH-013	TANK, FUEL	1	1272524
002	17511-ZOH-023	TANK, FUEL	1	1272525
003	17533-ZOH-000	RUBBER, TANK MOUNTING	3	
005	17620-ZM3-053	CAP ASSY., FUEL TANK	1	
006	17672-ZOH-003	FILTER, FUEL	1	1272525
006	17672-ZM3-003	FILTER, FUEL	1	1272524
008	17702-ZOH-003	TUBE, FUEL RETURN	1	
011	91401-ZM3-003	CLIP, TUBE	2	
022	17700-ZOH-305	GROMMET ASSY., FUEL TANK	1	1258242
023	17504-ZM3-003	GROMMET, FUEL TUBE	(1)	1258242
024	17519-ZM5-003	FITTING	(1)	
025	17701-ZOH-800	TUBE COMP., FUEL FEED	(1)	1258242
<u>Ref</u>	<u>Partnumber</u>	<u>Description</u>	<u>GX25</u>	<u>Serial Numbers</u>
026	17703-ZOH-J71	TUBE A, FUEL	(1)	1258242
027	91401-ZM3-003	CLIP, TUBE	(2)	1258242



Ref	Partnumber	Description	GX25	Serial Numbers
003	31110-Z0H-003	FLYWHEEL COMP.	1	
004	32195-Z0H-000	CORD, STOP SWITCH	1	
006	90012-Z0H-005	BOLT, SOCKET, 4X14	2	
007	90355-427-770	NUT, FLANGE, 7MM	1	
009	30500-Z0H-013	COIL ASSY., IGNITION	1	1073686
009	30500-Z0H-023	COIL ASSY., IGNITION	1	1356416



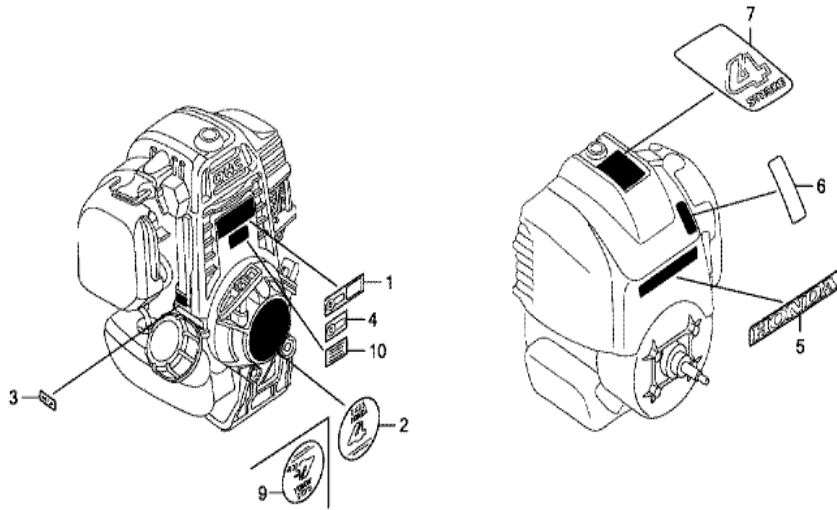
<u>Ref</u>	<u>Partnumber</u>	<u>Description</u>	<u>GX25</u>	<u>Serial Numbers</u>
001	10100-ZOH-415	CRANKCASE SET	1	1208427
001	10100-ZOH-425	CRANKCASE SET	1	1208428
002	12310-ZOH-010	COVER, CYLINDER HEAD	1	
003	12312-ZOH-300	SEAL, HEAD COVER	1	
004	12314-ZOH-300	GROMMET, HEAD COVER	1	
005	12367-ZOH-000	FILTER, BREATHER	1	
006	15422-ZOH-000	TUBE, OIL	1	
007	15510-ZOH-000	PLATE ASSY., OIL OUTLET VALVE	1	
010	15600-ZF0-003	CAP ASSY., OIL FILLER	1	
011	15625-ZE1-003	PACKING, OIL FILLER CAP	1	
012	15721-ZOH-000	TUBE, BREATHER	1	
012	15721-ZOH-800	TUBE, BREATHER	1	1230203
013	31914-ZOH-801	PLUG, SPARK (CM4H) (NGK)	(1)	
<u>Ref</u>	<u>Partnumber</u>	<u>Description</u>	<u>GX25</u>	<u>Serial Numbers</u>
013	31915-ZOH-801	PLUG, SPARK (CM5H) (NGK)	1	
013	31916-ZOH-801	PLUG, SPARK (CM6H) (NGK)	(1)	
014	90009-ZOH-003	BOLT, SOCKET, 5X20	2	
015	90010-ZOH-003	BOLT, SOCKET, 5X30	4	
016	90013-ZOH-004	SCREW, PAN, 4X8	2	
017	90017-ZOH-000	SCREW, TAPPET ADJUSTING	2	
018	90019-ZOH-003	BOLT, SOCKET, 5X12	2	
019	90206-ZM3-000	NUT, TAPPET ADJUSTING	2	
021	93901-34320	SCREW, TAPPING, 4X12	2	
022	94305-40102	PIN, SPRING, 4X10	1	
023	95002-4120008	CLAMP, TUBE (D12)	1	
024	95002-4130004	CLAMP, TUBE (D13)	1	
025	14431-ZOH-003	ARM, IN. VALVE ROCKER	1	
026	14441-ZOH-003	ARM, EX. VALVE ROCKER	1	
027	14730-ZOH-000	LIFTER COMP., IN. VALVE	1	
028	14740-ZOH-000	LIFTER COMP., EX. VALVE	1	



Z0HCE2700D

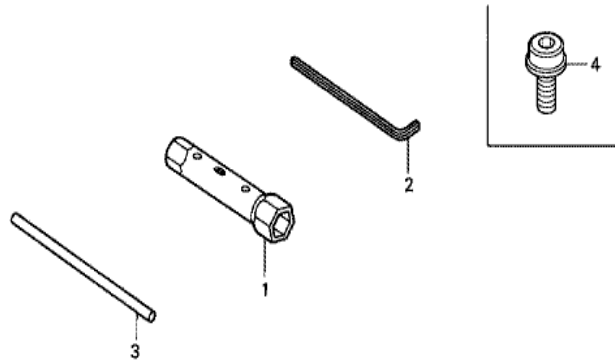


<u>Ref</u>	<u>Partnumber</u>	<u>Description</u>	<u>GX25</u>	<u>Serial Numbers</u>
001	19720-Z0H-000ZB	COVER COMP., TOP *R280 *	1	
002	90015-Z0H-003	BOLT, TOP COVER	1	



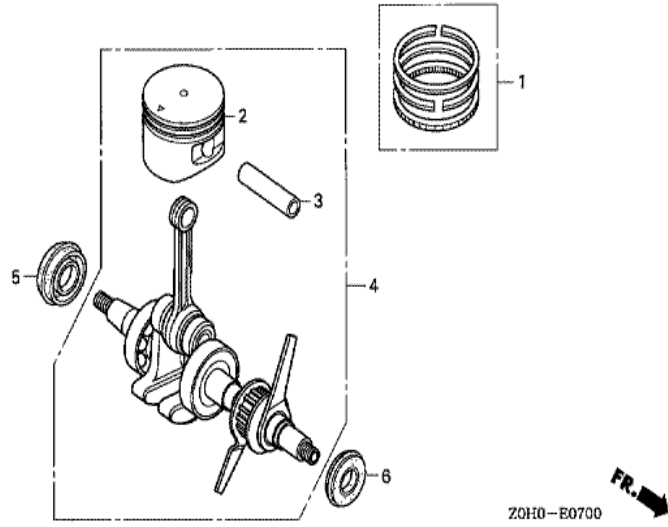
ZOH0E2800H

Ref	Partnumber	Description	GX25	Serial Numbers
002	87521-ZOH-000	MARK, EMBLEM	1	
003	87601-ZOH-970	MARK, TYPE (SJD)	1	
004	87135-ZE2-020	LABEL, E-SPEC (15.5X27.5)	1	
005	87531-ZOH-000	MARK, HONDA	1	
007	87660-ZOH-000	MARK (4-STROKE)	1	
010	87114-ZH7-000	LABEL, WARNING (NOT CERTIFIED FOR SALE)	1	1289125 1399372
010	87114-ZH7-810	LABEL, WARNING (NOT CERTIFIED FOR SALE)	1	1470053



ZOH0-E2900 A

Ref	Partnumber	Description	GX25	Serial Numbers
001	89216-045-010	WRENCH, SPARK PLUG	(1)	
002	89221-KW3-000	WRENCH, HEX., 4MM	(1)	
003	99005-01000	BAR A, HANDLE	(1)	
004	90011-ZOH-811	BOLT, SOCKET, 5X9	(1)	



Ref	Partnumber	Description	GX25	Serial Numbers
001	13010-ZOH-000	RING SET, PISTON	1	
002	13101-ZOH-000	PISTON	1	
003	13111-ZOH-000	PIN, PISTON	1	
004	13310-ZOH-010	CRANKSHAFT COMP.	1	1208427
004	13310-ZOH-020	CRANKSHAFT COMP.	1	1208428
005	91211-ZOH-003	OIL SEAL, 12X24X5	1	
006	91212-ZOH-003	OIL SEAL, 10X20X5	1	