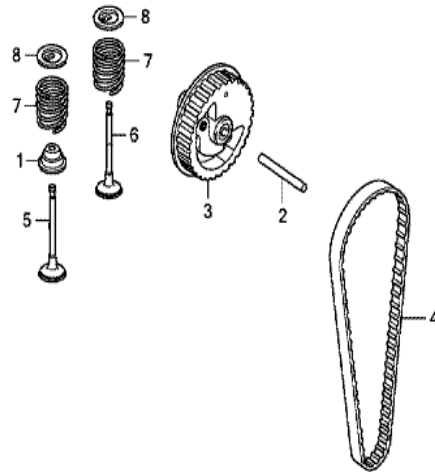


GX25 (HUT)

E-10 CAM PULLEY

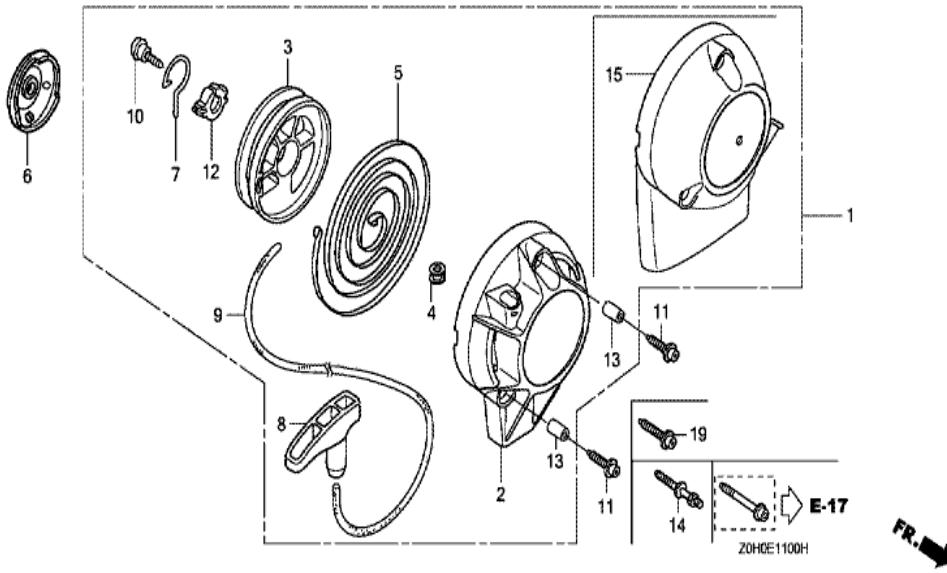


ZOHCE1000A



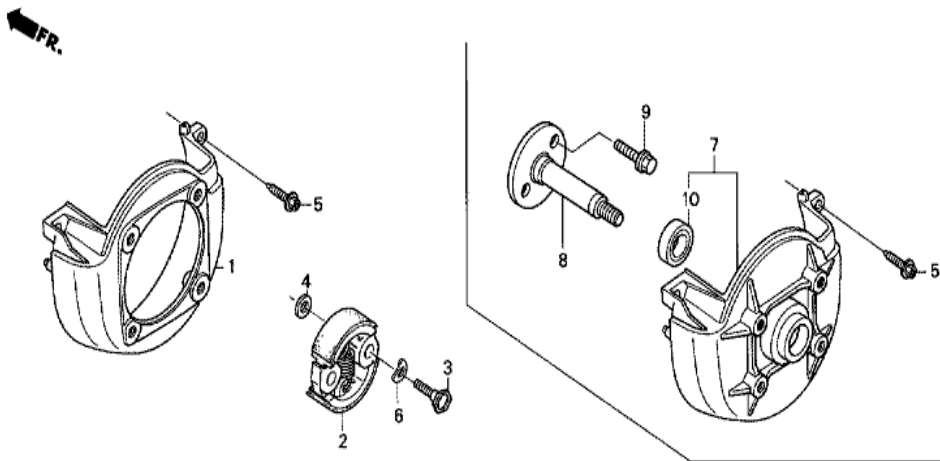
Ref	Partnumber	Description	GX25	Serial Numbers
001	12209-ZOH-003	SEAL, VALVE STEM	1	
002	14126-ZOH-003	ROLLER, 4X29.8	1	
003	14320-ZOH-010	PULLEY COMP., CAMSHAFT	1	1073686
004	14400-ZOH-003	BELT, TIMING (71ZU6 G-300)	1	
005	14711-ZOH-800	VALVE, IN. (HI)	1	1001330
006	14721-ZOH-800	VALVE, EX. (HE)	1	
007	14751-ZOH-000	SPRING, VALVE	2	
008	14771-ZOH-000	RETAINER, VALVE SPRING	2	

GX25 (HUT)	E-11 RECOIL STARTER
------------	---------------------



Ref	Partnumber	Description	GX25	Serial Numbers
006	28451-ZOH-003	PULLEY, RECOIL STARTER	1	
011	90018-ZOH-003	BOLT, SOCKET, 5X16	1	
019	90009-ZOH-003	BOLT, SOCKET, 5X20	2	

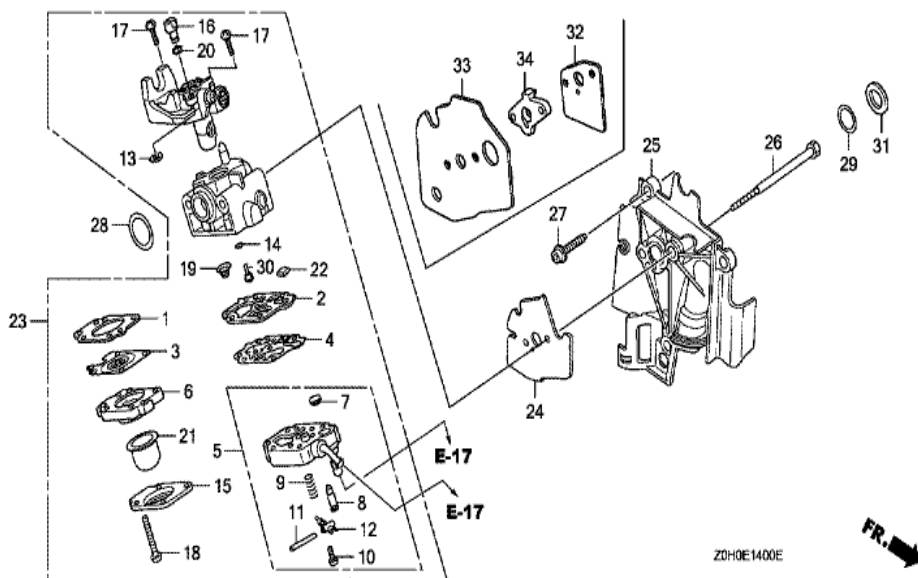
GX25 (HUT)	E-12 FAN COVER/CLUTCH
------------	-----------------------



ZOH0-E12008

Ref	Partnumber	Description	GX25	Serial Numbers
001	19611-ZOH-000	COVER, FAN	1	
002	22000-ZM3-003	CLUTCH ASSY.	1	
003	22253-ZOH-003	BOLT, CLUTCH (6MM)	2	
004	22254-ZM3-003	WASHER, CLUTCH (6X15)	2	
005	90009-ZOH-003	BOLT, SOCKET, 5X20	3	
006	22254-ZOH-003	WASHER, WAVE (8MM)	2	

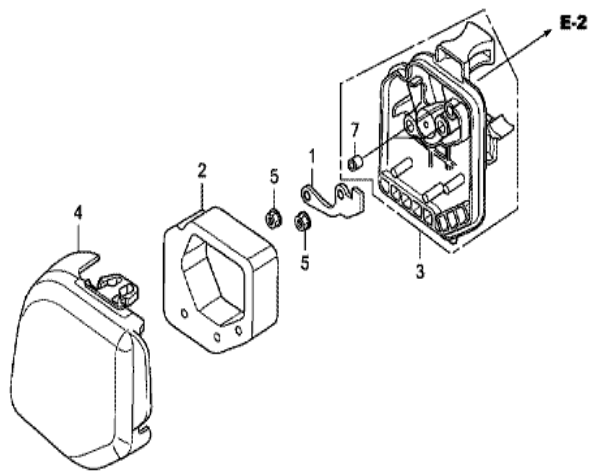
GX25 (HUT)	E-14 CARBURETOR
------------	-----------------



Ref	Partnumber	Description	GX25	Serial Numbers
001	16010-ZM3-004	GASKET, METERING DIAPHRAGM	1	
002	16011-Z0H-013	GASKET, PUMP	1	
003	16013-Z0H-003	DIAPHRAGM ASSY., METERING	1	
004	16014-ZM3-004	DIAPHRAGM, PUMP	1	
005	16015-Z0H-013	BODY ASSY., PUMP	1	WYB 6D
006	16017-ZM3-004	BODY ASSY., AIR PURGE	1	
007	16018-ZM3-802	SCREEN, INLET	1	
008	16019-ZM3-004	VALVE, INLET NEEDLE	1	
009	16020-ZM3-004	SPRING, METERING LEVER	1	
010	16021-ZM3-004	SCREW, METERING LEVER PIN	1	
011	16022-ZM3-014	PIN, METERING LEVER	1	
012	16023-ZM3-004	LEVER, METERING	1	
013	16024-Z0H-003	RING, RETAINING	1	

<u>Ref</u>	<u>Partnumber</u>	<u>Description</u>	<u>GX25</u>	<u>Serial Numbers</u>
014	16025-ZM3-004	O-RING	1	
015	16026-ZM3-004	COVER, PRIMER PUMP	1	
016	16027-ZM3-004	SWIVEL	1	
017	16028-ZM3-004	SCREW, THROTTLE COLLAR	2	
018	16029-ZM3-004	SCREW, PUMP COVER	4	
019	16030-ZM3-004	SPRING, PUMP	1	
020	16031-ZM3-004	WASHER	1	
021	16032-ZM3-004	PUMP, PRIMER	1	
022	16035-ZM3-802	FILTER, FUEL INLET	1	
023	16100-Z0H-804	CARBURETOR ASSY. (WYB 7C)	1	1383368
024	16221-Z0H-V00	PACKING, CARBURETOR	1	
025	19631-Z0H-000	SHROUD	1	
026	90014-Z0H-003	BOLT, 5X53	2	
027	90018-Z0H-003	BOLT, SOCKET, 5X16	3	
028	91301-ZM3-000	O-RING, 14.8X2.4	1	
029	91308-Z0H-003	O-RING, 12.3X2.4	1	
030	99101-ZM50330	JET (#33)	(1)	
030	99101-ZM50340	JET (#34)	(1)	
030	99101-ZM50350	JET (#35)	1	WYB 7B

GX25 (HUT)	E-15 AIR CLEANER (1)
------------	----------------------



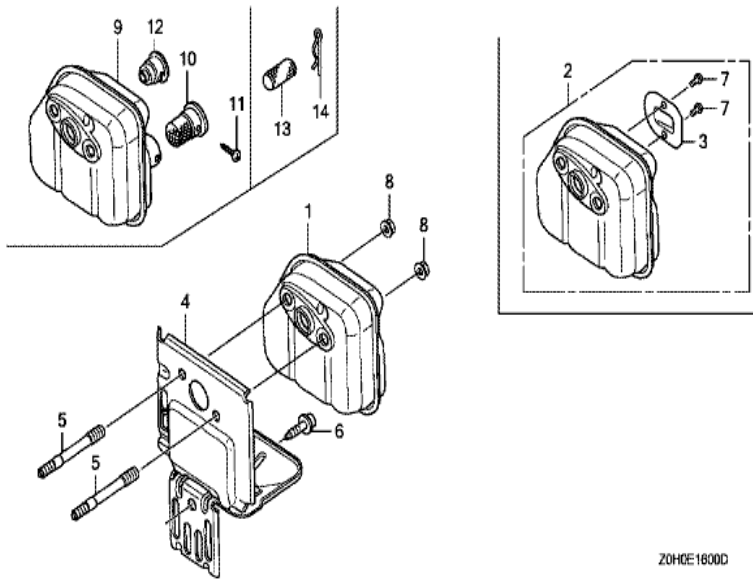
Z0HCE1500D



Ref	Partnumber	Description	GX25	Serial Numbers
001	17204-Z0H-000	PLATE, OIL TRAP	1	
005	94050-05000	NUT, FLANGE, 5MM	2	

GX25 (HUT)

E-16 MUFFLER

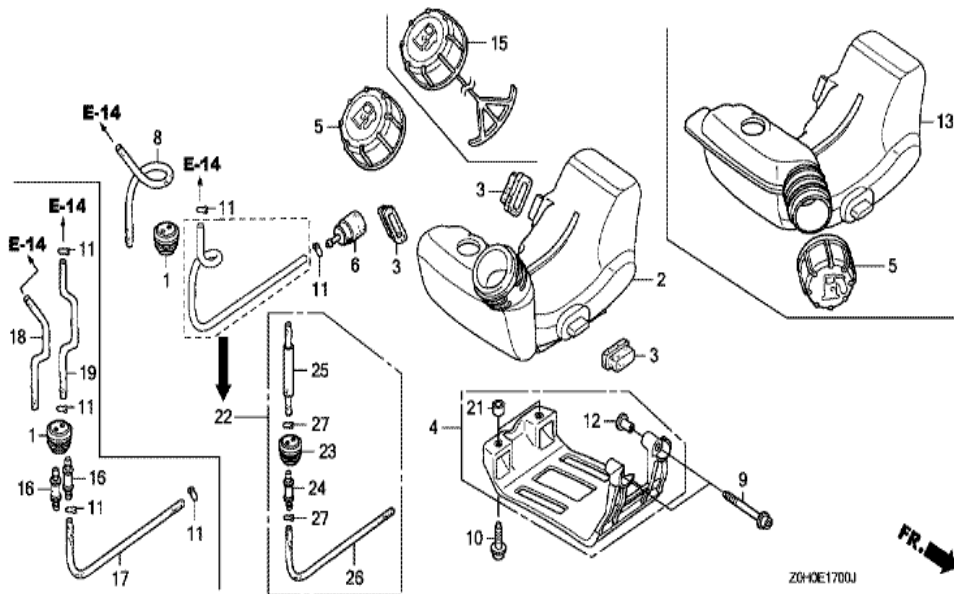


Z0HCE1600D

FR. →

Ref	Partnumber	Description	GX25	Serial Numbers
002	18310-ZOH-800	MUFFLER COMP.	(1)	
003	18350-ZOH-800	ARRESTER COMP., SPARK	(1)	
004	18515-ZOH-000	GUIDE, AIR EX.	1	
005	90001-ZOH-003	BOLT, STUD, 5X52	2	
006	90011-ZOH-003	BOLT, SOCKET, 5X10 (CT)	1	
007	90055-ZE1-000	SCREW, TAPPING, 4X6	(2)	
008	90136-SM4-901	NUT, SELF-LOCK, 5MM	2	

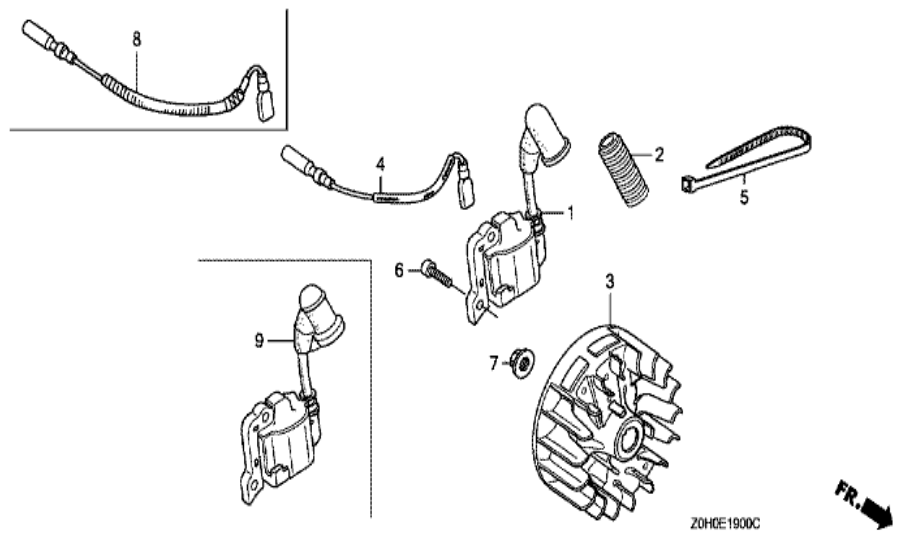
GX25 (HUT)	E-17 FUEL TANK
------------	----------------



<u>Ref</u>	<u>Partnumber</u>	<u>Description</u>	<u>GX25</u>	<u>Serial Numbers</u>
001	17504-ZM3-003	GROMMET, FUEL TUBE	1	
002	17511-Z0H-023	TANK, FUEL	1	1272525
003	17533-Z0H-000	RUBBER, TANK MOUNTING	3	
006	17672-Z0H-003	FILTER, FUEL	1	1272525
008	17702-Z0H-003	TUBE, FUEL RETURN	1	
010	90018-Z0H-003	BOLT, SOCKET, 5X16	2	
011	91401-ZM3-003	CLIP, TUBE	2	
015	17620-ZM3-816	CAP ASSY., FUEL TANK	1	
022	17700-Z0H-305	GROMMET ASSY., FUEL TANK	1	1258242
023	17504-ZM3-003	GROMMET, FUEL TUBE	(1)	1258242
024	17519-ZM5-003	FITTING	(1)	
025	17701-Z0H-800	TUBE COMP., FUEL FEED	(1)	1258242
026	17703-Z0H-J71	TUBE A, FUEL	(1)	1258242
<u>Ref</u>	<u>Partnumber</u>	<u>Description</u>	<u>GX25</u>	<u>Serial Numbers</u>
027	91401-ZM3-003	CLIP, TUBE	(2)	1258242

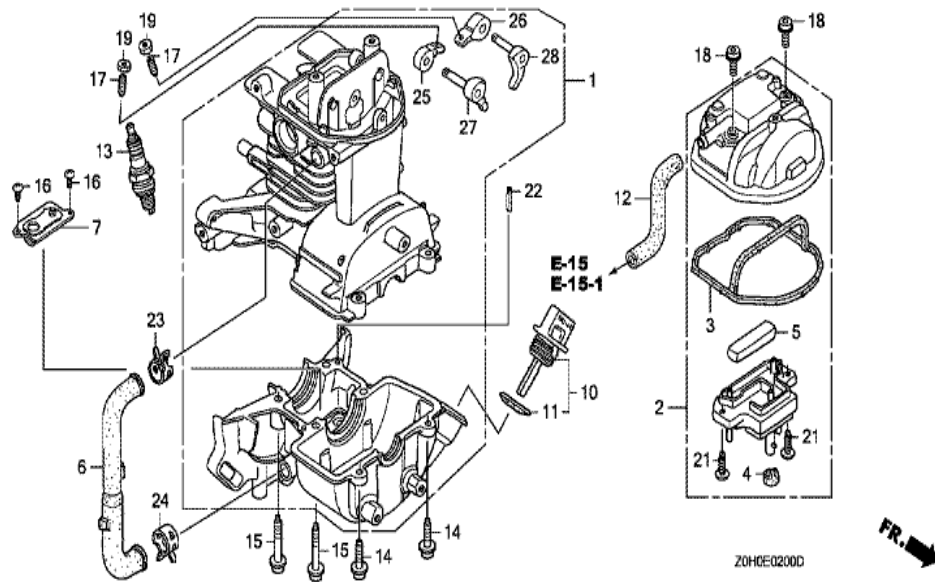


GX25 (HUT)	E-19 FLYWHEEL
------------	---------------



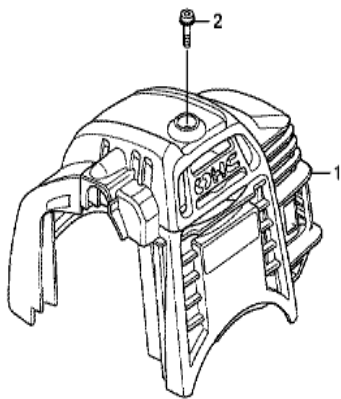
Ref	Partnumber	Description	GX25	Serial Numbers
003	31110-Z0H-003	FLYWHEEL COMP.	1	
004	32195-Z0H-000	CORD, STOP SWITCH	1	
006	90012-Z0H-005	BOLT, SOCKET, 4X14	2	
007	90355-427-770	NUT, FLANGE, 7MM	1	
009	30500-Z0H-023	COIL ASSY., IGNITION	1	1356416

GX25 (HUT)	E-2 CRANKCASE SET
------------	-------------------



Ref	Partnumber	Description	GX25	Serial Numbers
001	10100-Z0H-425	CRANKCASE SET	1	1208428
002	12310-Z0H-010	COVER, CYLINDER HEAD	1	
003	12312-Z0H-300	SEAL, HEAD COVER	1	
004	12314-Z0H-300	GROMMET, HEAD COVER	1	
005	12367-Z0H-000	FILTER, BREATHER	1	
006	15422-Z0H-000	TUBE, OIL	1	
007	15510-Z0H-000	PLATE ASSY., OIL OUTLET VALVE	1	
010	15600-ZF0-003	CAP ASSY., OIL FILLER	1	
011	15625-ZE1-003	PACKING, OIL FILLER CAP	1	
012	15721-Z0H-000	TUBE, BREATHER	1	
013	31914-Z0H-003	PLUG, SPARK (CMR4H) (NGK)	(1)	
013	31915-Z0H-003	PLUG, SPARK (CMR5H) (NGK)	1	
013	31916-Z0H-003	PLUG, SPARK (CMR6H) (NGK)	(1)	
Ref	Partnumber	Description	GX25	Serial Numbers
014	90009-Z0H-003	BOLT, SOCKET, 5X20	2	
015	90010-Z0H-003	BOLT, SOCKET, 5X30	4	
016	90013-Z0H-004	SCREW, PAN, 4X8	2	
017	90017-Z0H-000	SCREW, TAPPET ADJUSTING	2	
018	90019-Z0H-003	BOLT, SOCKET, 5X12	2	
019	90206-ZM3-000	NUT, TAPPET ADJUSTING	2	
021	93901-34320	SCREW, TAPPING, 4X12	2	
022	94305-40102	PIN, SPRING, 4X10	1	
023	95002-4120008	CLAMP, TUBE (D12)	1	
024	95002-4130004	CLAMP, TUBE (D13)	1	
025	14431-Z0H-003	ARM, IN. VALVE ROCKER	1	
026	14441-Z0H-003	ARM, EX. VALVE ROCKER	1	
027	14730-Z0H-000	LIFTER COMP., IN. VALVE	1	
028	14740-Z0H-000	LIFTER COMP., EX. VALVE	1	

GX25 (HUT)	E-27 TOP COVER
------------	----------------



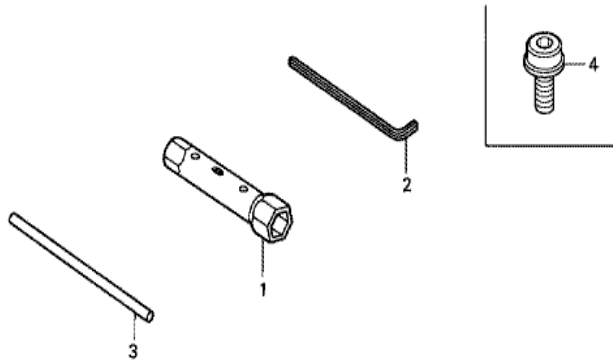
Z0HCE2700D



Ref	Partnumber	Description	GX25	Serial Numbers
002	90015-Z0H-003	BOLT, TOP COVER	1	

GX25 (HUT)

E-29 TOOL

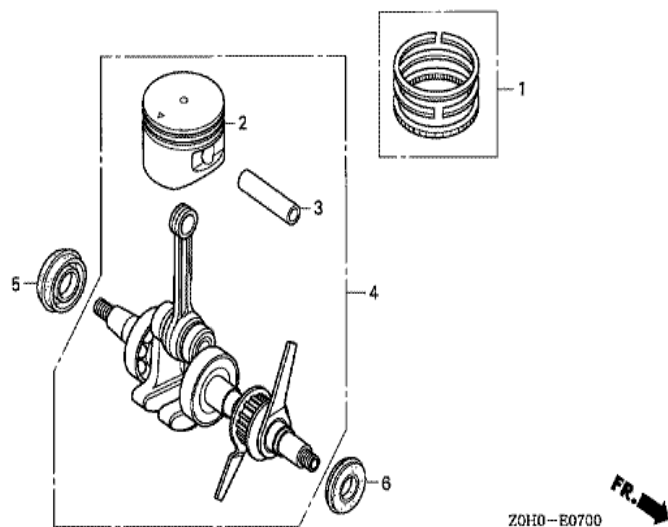


Z0HC-E2900 A

Ref	Partnumber	Description	GX25	Serial Numbers
001	89216-045-010	WRENCH, SPARK PLUG	(1)	
002	89221-KW3-000	WRENCH, HEX., 4MM	(1)	
003	99005-01000	BAR A, HANDLE	(1)	
004	90011-Z0H-811	BOLT, SOCKET, 5X9	(1)	

GX25 (HUT)

E-7 CRANKSHAFT/PISTON



Ref	Partnumber	Description	GX25	Serial Numbers
001	13010-ZOH-000	RING SET, PISTON	1	
002	13101-ZOH-000	PISTON	1	
003	13111-ZOH-000	PIN, PISTON	1	
004	13310-ZOH-020	CRANKSHAFT COMP.	1	1208428
005	91211-ZOH-003	OIL SEAL, 12X24X5	1	
006	91212-ZOH-003	OIL SEAL, 10X20X5	1	