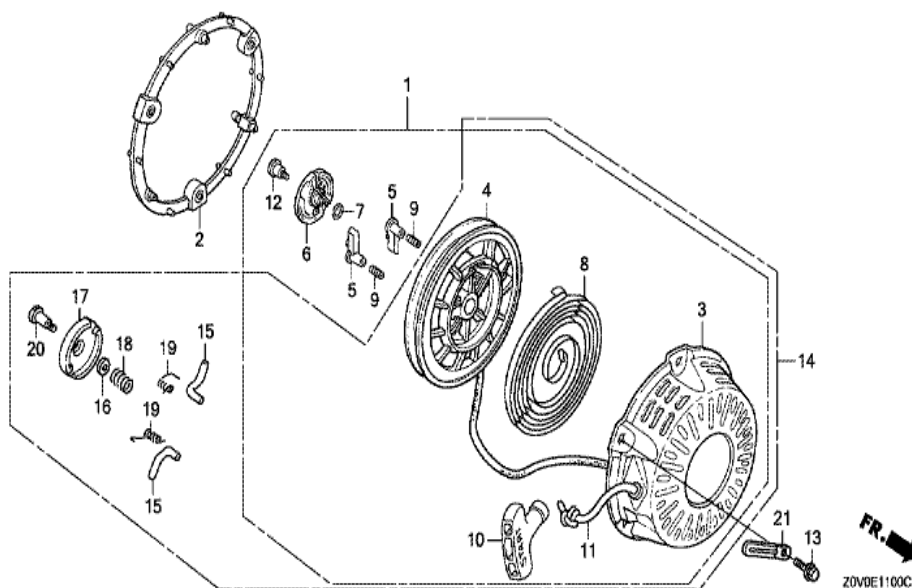


GX200T(VPM4)

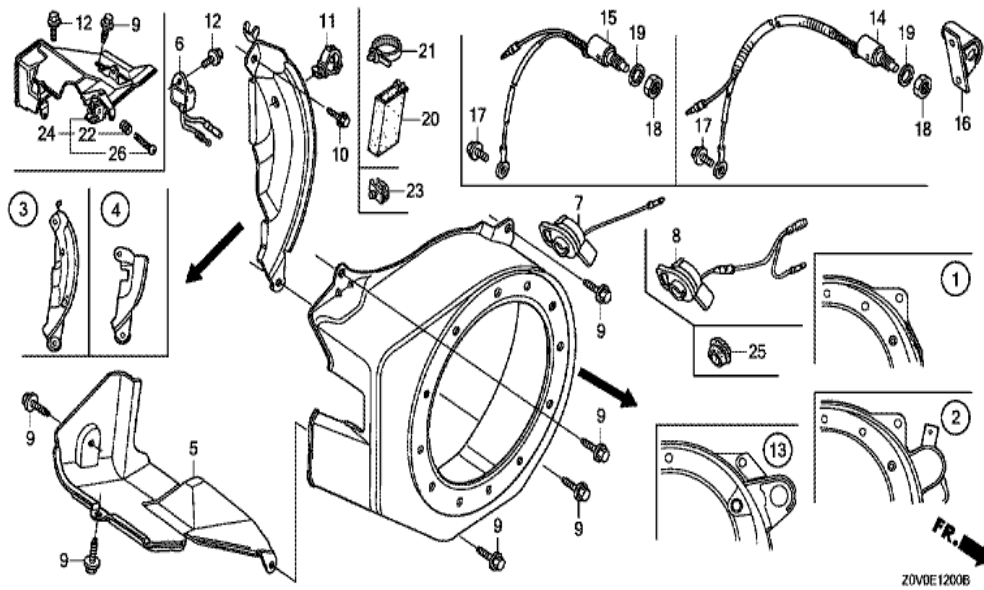
E-11 RECOIL STARTER (1)



Ref	Partnumber	Description	GX200T	Serial Numbers
002	28405-ZL0-000ZC	SPACER, RECOIL STARTER MOUNTING *	1	
002	28405-ZL0-000ZC	SPACER, RECOIL STARTER MOUNTING *	1	
003	28410-ZH8-003YA	CASE COMP., RECOIL STARTER *R280 *	1	
003	28410-ZH8-003YA	CASE COMP., RECOIL STARTER *R280 *	1	
004	28421-ZH8-801	REEL, RECOIL STARTER (BLACK)	1	
008	28442-ZH8-003	SPRING, RECOIL STARTER	1	
010	28461-ZH8-003	GRIP, STARTER	1	
010	28461-ZH8-003	GRIP, STARTER	1	
011	28462-ZH8-003	ROPE, RECOIL STARTER	1	
011	28462-ZH8-003	ROPE, RECOIL STARTER	1	
013	95701-0601800	BOLT, FLANGE, 6X18	3	
013	95701-0601800	BOLT, FLANGE, 6X18	3	
014	28400-ZH8-023YA	STARTER ASSY., RECOIL *R280 *	1	1129302
Ref	Partnumber	Description	GX200T	Serial Numbers
014	28400-ZH8-023YA	STARTER ASSY., RECOIL *R280 *	1	
015	28422-ZH8-801	RATCHET, STARTER	2	
016	28431-ZH8-801	PLATE, FRICTION	1	
017	28433-ZH8-801	GUIDE, RATCHET	1	
018	28441-ZH8-801	SPRING, FRICTION	1	
019	28443-ZH8-801	SPRING, RETURN	2	
020	90003-ZH8-801	SCREW, SETTING	1	

GX200T(VPM4)

E-12 FAN COVER (1)

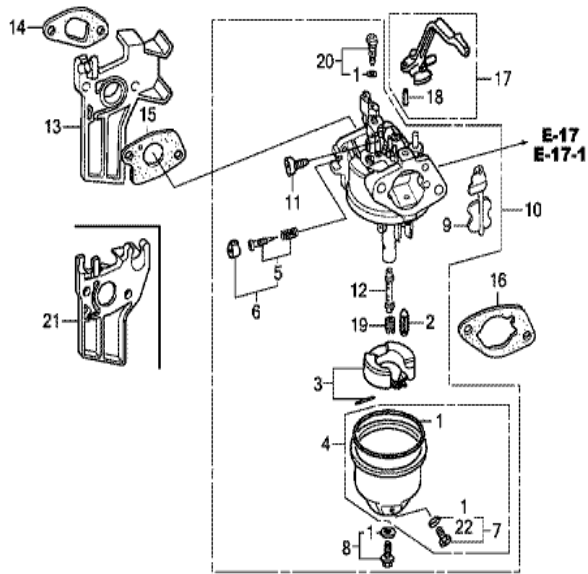


ZOVDE1200B

Ref	Partnumber	Description	GX200T	Serial Numbers
001	19610-ZL0-000ZJ	COVER COMP., FAN *R280 *	1	
001	19610-ZL0-000ZJ	COVER COMP., FAN *R280 *	1	
001	19610-ZL0-000ZJ	COVER COMP., FAN *R280 *	1	
003	19611-ZH8-810	PLATE COMP., SIDE (OIL ALERT)	1	
005	19630-ZH8-000	SHROUD COMP.	1	
005	19630-ZH8-000	SHROUD COMP.	1	
006	34150-ZH7-003	ALERT UNIT, OIL	1	
008	35120-Z0T-851	SWITCH ASSY., ENGINE STOP	1	
009	90013-883-000	BOLT, FLANGE, 6X12 (CT200)	6	
010	90022-888-010	BOLT, FLANGE, 6X20 (CT200)	1	
011	90601-ZH7-013	CLIP, HARNESS	1	
012	95701-0600800	BOLT, FLANGE, 6X8	1	
012	95701-0600800	BOLT, FLANGE, 6X8	1	

GX200T(VPM4)

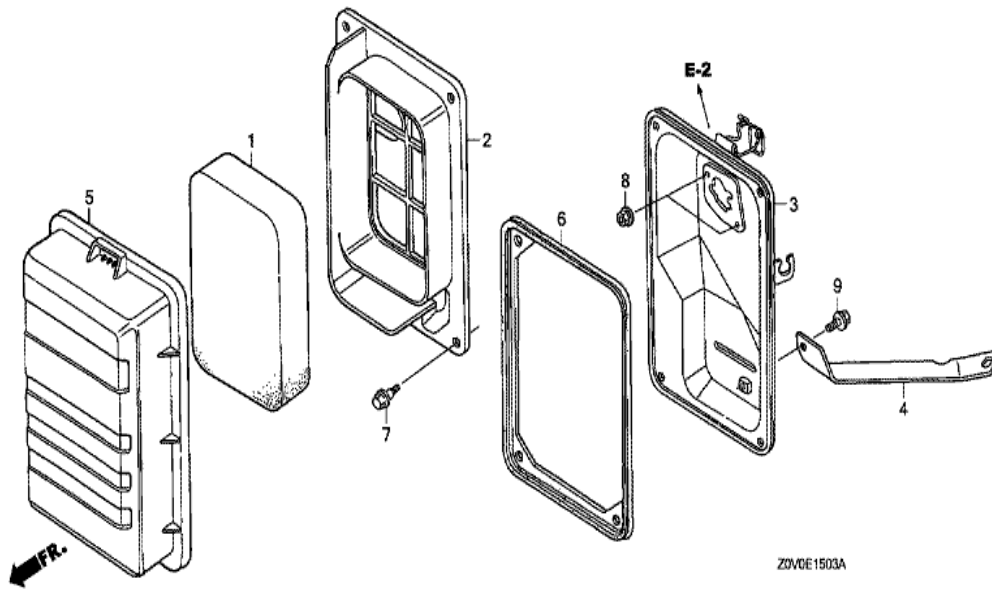
E-14-1 CARBURETOR (2)

FR. →  
Z0VDE1401B

Ref	Partnumber	Description	GX200T	Serial Numbers
001	16010-ZB1-015	GASKET SET	1	
002	16011-ZE0-005	VALVE SET, FLOAT	1	
003	16013-Z0S-B01	FLOAT SET	1	
004	16015-ZE0-831	CHAMBER SET, FLOAT	1	
004	16015-ZE0-831	CHAMBER SET, FLOAT	1	
006	16016-ZH7-W01	SCREW SET, PILOT	1	
007	16024-ZE1-811	SCREW SET, DRAIN	1	
007	16024-ZE1-811	SCREW SET, DRAIN	1	
008	16028-ZE0-005	SCREW SET	1	
008	16028-ZE0-005	SCREW SET	1	
009	16044-ZE0-005	CHOKE SET	1	
010	16100-Z0V-U51	CARBURETOR ASSY. (BE74J A)	1	
011	16124-ZE0-005	SCREW, THROTTLE STOP	1	
Ref	Partnumber	Description	GX200T	Serial Numbers
012	16166-ZL0-000	NOZZLE, MAIN	1	
013	16211-ZL0-000	INSULATOR, CARBURETOR	1	
014	16212-ZH8-800	PACKING, INSULATOR	1	
015	16221-ZH8-801	PACKING, CARBURETOR	1	
016	16269-ZE1-800	PACKING, AIR CLEANER	1	
017	16610-ZB2-000	LEVER COMP., CHOKE	1	
018	94305-20122	PIN, SPRING, 2X12	1	
019	99101-ZH80720	JET, MAIN, #72	(1)	
019	99101-ZH80750	JET, MAIN, #75	(1)	
019	99101-ZH80750	JET, MAIN, #75	(1)	
019	99101-ZH80780	JET, MAIN, #78	1	
019	99101-ZH80780	JET, MAIN, #78	1	
020	99204-ZE20400	JET SET, PILOT, #40	1	

GX200T(VPM4)

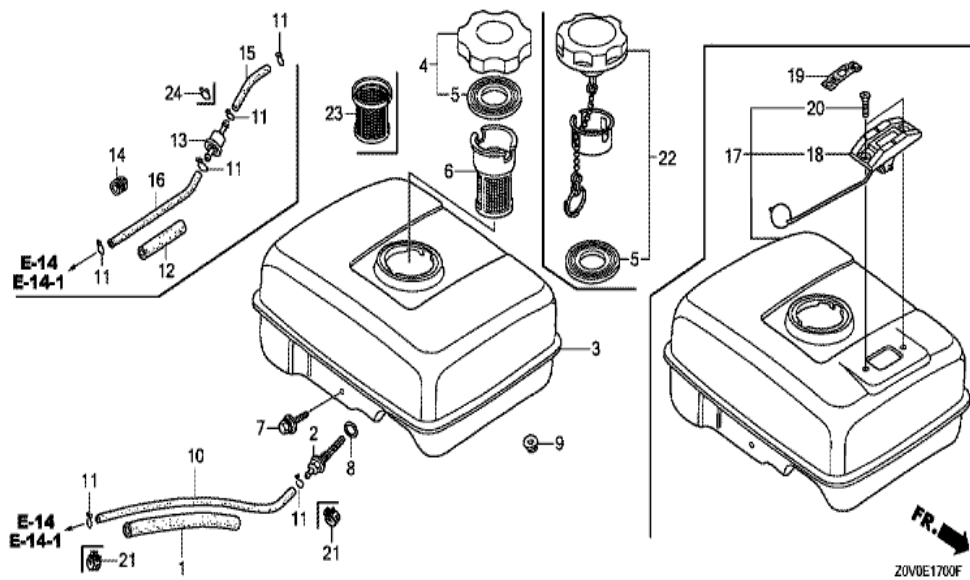
E-15-3 AIR CLEANER (STANDARD)



ZDVGE1503A

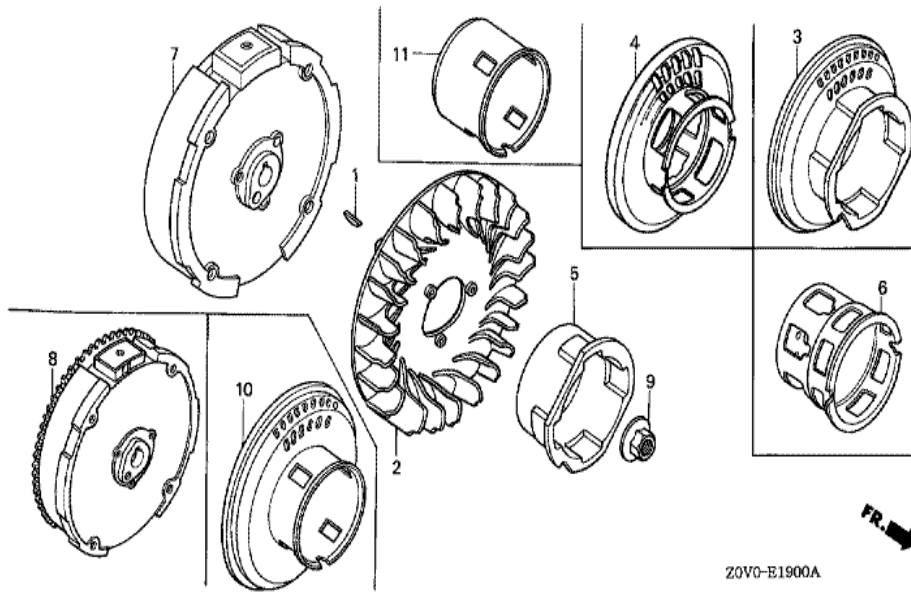
Ref	Partnumber	Description	GX200T	Serial Numbers
001	17211-ZB2-000	ELEMENT, AIR CLEANER	1	
002	17212-ZB2-000	SEPARATOR, AIR CLEANER	1	
003	17220-ZB2-000	CASE COMP., AIR CLEANER	1	
004	17222-ZL0-V30	STAY, AIR CLEANER	1	
005	17231-ZB2-000	COVER, AIR CLEANER	1	
006	17252-ZB2-000	SEAL, AIR CLEANER	1	
007	90115-459-770	BOLT, WINKER SETTING	4	
008	94050-06080	NUT, FLANGE, 6MM	2	
009	95701-0601000	BOLT, FLANGE, 6X10	1	

GX200T(VPM4)	E-17 FUEL TANK (1)
--------------	--------------------



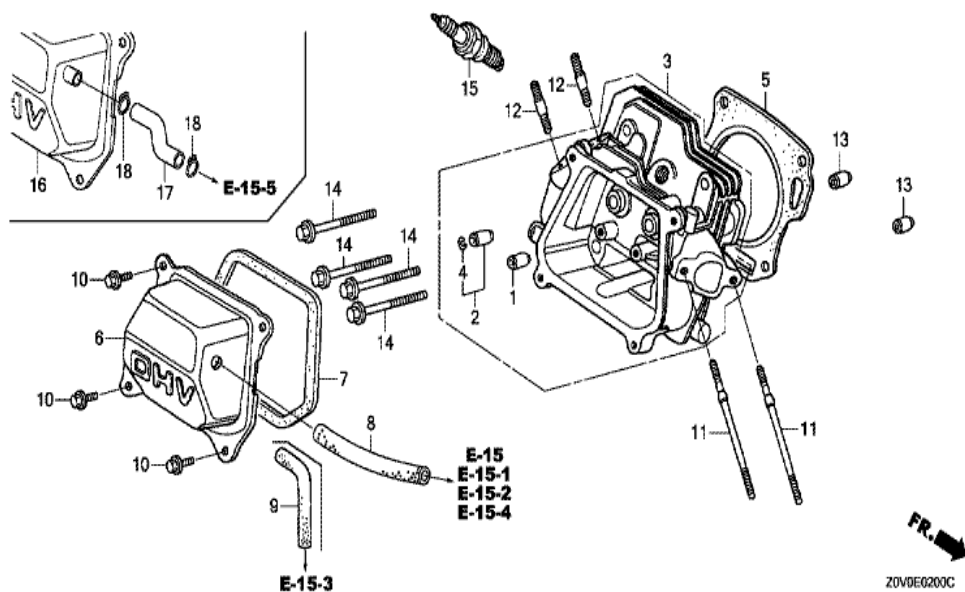
Ref	Partnumber	Description	GX200T	Serial Numbers
011	95002-02080	CLIP, TUBE (B8)	2	
011	95002-02080	CLIP, TUBE (B8)	4	
012	16854-ZH8-810	RUBBER, SUPPORTER (50MM)	1	
013	16910-GB2-005	STRAINER COMP., FUEL	1	
014	90854-ZB3-000	RUBBER, FUEL (9X15X20)	1	
015	95001-4503540	TUBE, FUEL, 4.5X35 (95001-45001-60M)	1	
015	95001-4503540	TUBE, FUEL, 4.5X35 (95001-45001-60M)	1	
016	95001-4511040	TUBE, FUEL, 4.5X110 (95001-45001-60M)	1	
016	95001-4511040	TUBE, FUEL, 4.5X110 (95001-45001-60M)	1	

GX200T(VPM4)	E-19 FLYWHEEL
--------------	---------------



Ref	Partnumber	Description	GX200T	Serial Numbers
001	13331-357-000	KEY, SPECIAL WOODRUFF, 25X18	1	
002	19511-ZE1-000	FAN, COOLING	1	
002	19511-ZE1-000	FAN, COOLING	1	
007	31100-ZE7-010	FLYWHEEL COMP. (STD.)	1	
007	31100-ZE7-010	FLYWHEEL COMP. (STD.)	1	
007	31100-ZE7-010	FLYWHEEL COMP. (STD.)	1	
009	90201-Z0T-800	NUT, SPECIAL, 14MM	1	
011	28451-ZL0-801	PULLEY, STARTER	1	
011	28451-ZL0-801	PULLEY, STARTER	1	

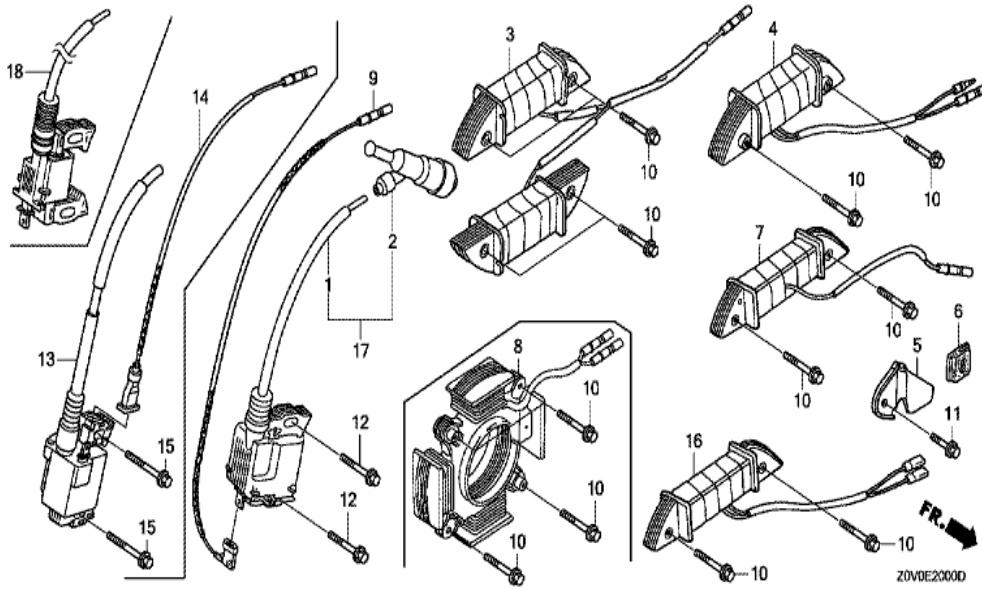
GX200T(VPM4)	E-2 CYLINDER HEAD
--------------	-------------------



Ref	Partnumber	Description	GX200T	Serial Numbers
001	12204-ZE1-306	GUIDE, IN. VALVE (OS)	1	
002	12205-ZE1-315	GUIDE, EX. VALVE (OS)	1	
003	12210-ZL0-405	HEAD COMP., CYLINDER	1	
003	12210-ZL0-405	HEAD COMP., CYLINDER	1	
004	12216-ZE5-300	CLIP, VALVE GUIDE	1	
005	12251-ZL0-003	GASKET, CYLINDER HEAD (NIPPON LEAKLESS)	1	
006	12310-ZE1-020	COVER COMP., HEAD	1	
006	12310-ZE1-020	COVER COMP., HEAD	1	
006	12310-ZE1-020	COVER COMP., HEAD	1	
006	12310-ZE1-020	COVER COMP., HEAD	1	
007	12391-ZE1-000	PACKING, HEAD COVER	1	
009	15721-883-030	TUBE, BREATHER	1	
010	90013-883-000	BOLT, FLANGE, 6X12 (CT200)	4	
<u>Ref</u>	<u>Partnumber</u>	<u>Description</u>	<u>GX200T</u>	<u>Serial Numbers</u>
011	90043-ZB2-003	BOLT, STUD, 6X94	2	
012	90047-ZE1-000	BOLT, STUD, 8X32	2	
013	94301-10160	DOWEL PIN, 10X16	2	
014	95723-0806000	BOLT, FLANGE, 8X60	4	1391729
014	95723-0806000	BOLT, FLANGE, 8X60	4	
015	98079-55876	PLUG, SPARK (BPR5ES) (NGK)	(1)	
015	98079-55876	PLUG, SPARK (BPR5ES) (NGK)	(1)	
015	98079-55876	PLUG, SPARK (BPR5ES) (NGK)	(1)	
015	98079-56876	PLUG, SPARK (BPR6ES) (NGK)	1	
015	98079-56876	PLUG, SPARK (BPR6ES) (NGK)	1	
015	98079-56876	PLUG, SPARK (BPR6ES) (NGK)	1	

GX200T(VPM4)

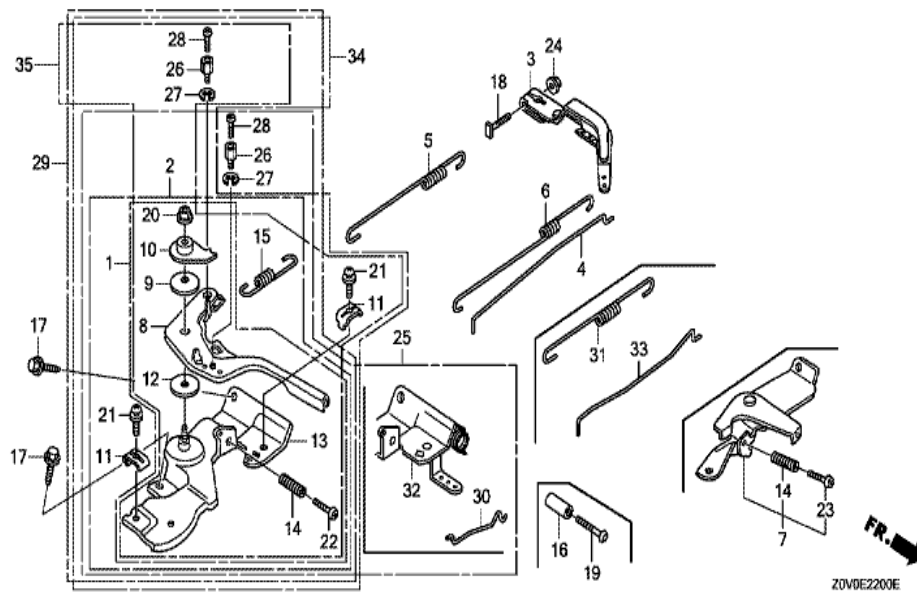
E-20 IGNITION COIL



Ref	Partnumber	Description	GX200T	Serial Numbers
001	30500-Z0T-801	COIL ASSY., IGNITION	1	
002	30700-Z0T-811	CAP ASSY., NOISE SUPPRESSOR (NGK)	1	
002	30700-Z0T-811	CAP ASSY., NOISE SUPPRESSOR (NGK)	1	
002	30700-Z0T-811	CAP ASSY., NOISE SUPPRESSOR (NGK)	1	
009	36101-ZE1-010	CORD, STOP SWITCH (370MM)	1	
009	36101-ZE1-010	CORD, STOP SWITCH (370MM)	1	
012	90121-952-000	BOLT, FLANGE, 6X25 (CT200)	2	



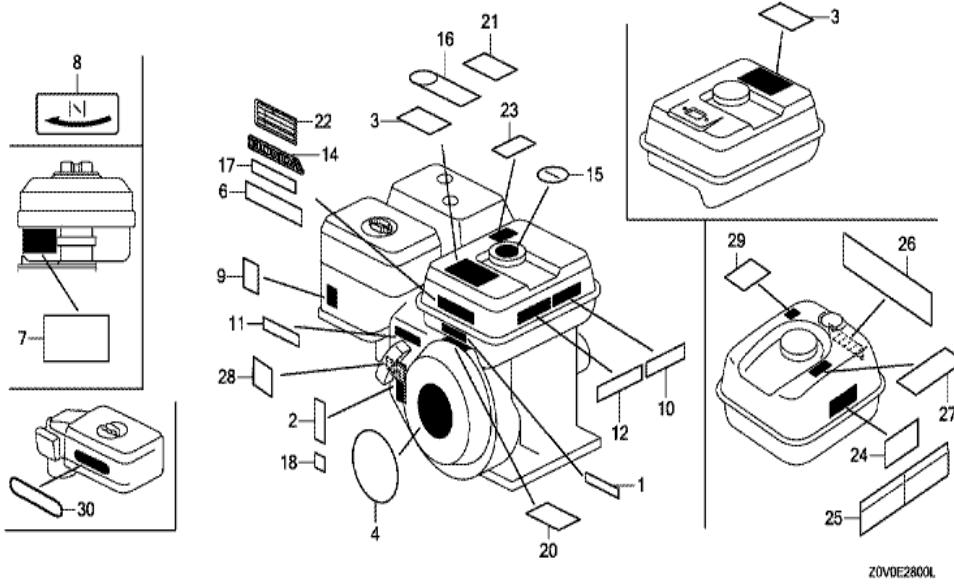
GX200T(VPM4)	E-22 CONTROL (1)
--------------	------------------



<u>Ref</u>	<u>Partnumber</u>	<u>Description</u>	<u>GX200T</u>	<u>Serial Numbers</u>
003	16551-ZL0-000	ARM, GOVERNOR	1	
003	16551-ZL0-000	ARM, GOVERNOR	1	
004	16555-ZE1-000	ROD, GOVERNOR	1	
004	16555-ZE1-000	ROD, GOVERNOR	1	
005	16561-ZL0-V30	SPRING, GOVERNOR	1	
005	16561-ZL0-V30	SPRING, GOVERNOR	1	
006	16562-ZE1-020	SPRING, THROTTLE RETURN	1	
007	16570-ZB2-000	CONTROL ASSY.	1	
007	16570-ZB2-000	CONTROL ASSY.	1	
014	16584-883-300	SPRING, CONTROL ADJUSTING	1	
016	16599-ZG1-M10	COLLAR, STOPPER	(1)	
017	90013-883-000	BOLT, FLANGE, 6X12 (CT200)	2	
018	90015-ZE5-010	BOLT, GOVERNOR ARM	1	
<u>Ref</u>	<u>Partnumber</u>	<u>Description</u>	<u>GX200T</u>	<u>Serial Numbers</u>
018	90015-ZE5-010	BOLT, GOVERNOR ARM	1	
019	90016-ZG9-N30	SCREW, RECESSED, 5X25	(1)	
023	93500-050350A	SCREW, PAN, 5X35	1	
024	94050-06000	NUT, FLANGE, 6MM	1	

GX200T(VPM4)

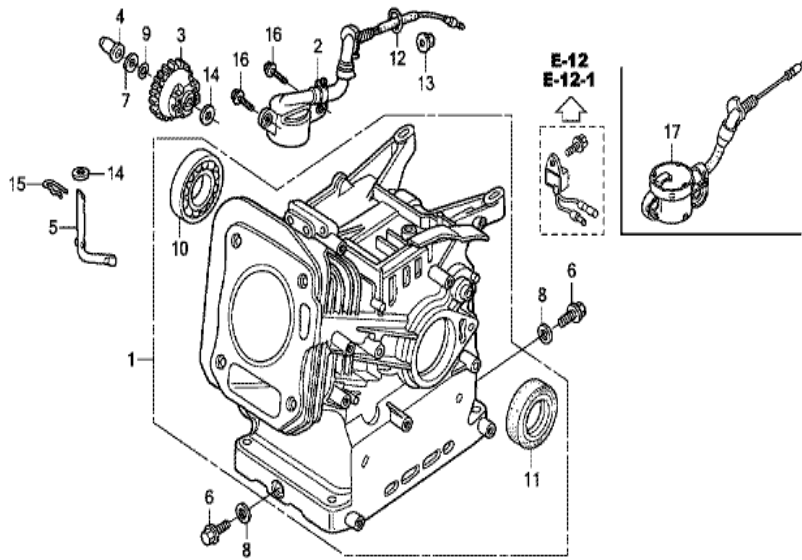
E-28 LABEL (1)



Ref	Partnumber	Description	GX200T	Serial Numbers
004	87521-ZL0-020	EMBLEM (6.5)	1	
004	87521-ZL0-020	EMBLEM (6.5)	1	
004	87521-ZL0-020	EMBLEM (6.5)	1	
008	87528-ZB2-630	MARK, CHOKE	1	

GX200T(VPM4)

E-3 CYLINDER BARREL



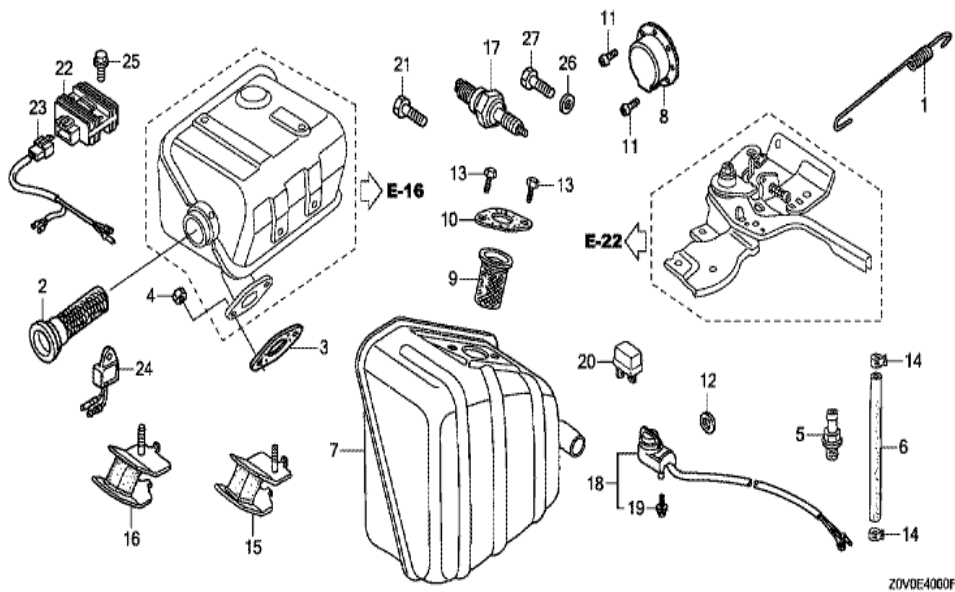
Z0V0E0300C



Z0V0E0300C

Ref	Partnumber	Description	GX200T	Serial Numbers
001	12000-ZOV-406	BARREL ASSY., CYLINDER	1	
001	12000-ZOV-406	BARREL ASSY., CYLINDER	1	
001	12000-ZOV-406	BARREL ASSY., CYLINDER	1	
002	15510-ZE1-033	SWITCH ASSY., OIL LEVEL	1	
003	16506-ZL0-000	GOVERNOR ASSY.	1	
004	16531-ZE1-000	SLIDER, GOVERNOR	1	
005	16541-ZE1-000	SHAFT, GOVERNOR ARM	1	
006	90131-ZE1-000	BOLT, DRAIN PLUG	2	
007	90451-ZE1-000	WASHER, THRUST, 6MM	1	
008	90601-ZE1-000	WASHER, DRAIN PLUG, 10.2MM	2	
009	90602-ZE1-000	CLIP, GOVERNOR HOLDER	1	
010	91001-ZF1-003	BEARING, RADIAL BALL (6205TMB) (NTN)	1	
010	91001-ZF1-003	BEARING, RADIAL BALL (6205TMB) (NTN)	1	
<u>Ref</u>	<u>Partnumber</u>	<u>Description</u>	<u>GX200T</u>	<u>Serial Numbers</u>
010	91001-ZF1-004	BEARING, RADIAL BALL (6205SH) (KOYO)	1	
010	91001-ZF1-004	BEARING, RADIAL BALL (6205SH) (KOYO)	1	
011	91201-ZOT-801	OIL SEAL, 25X41X6	1	
012	91353-671-004	O-RING, 14MM (NOK)	1	
013	94050-10000	NUT, FLANGE, 10MM	1	
014	94101-06800	WASHER, PLAIN, 6MM	2	
015	94251-08000	PIN, LOCK, 8MM	1	
016	95701-0601200	BOLT, FLANGE, 6X12	2	

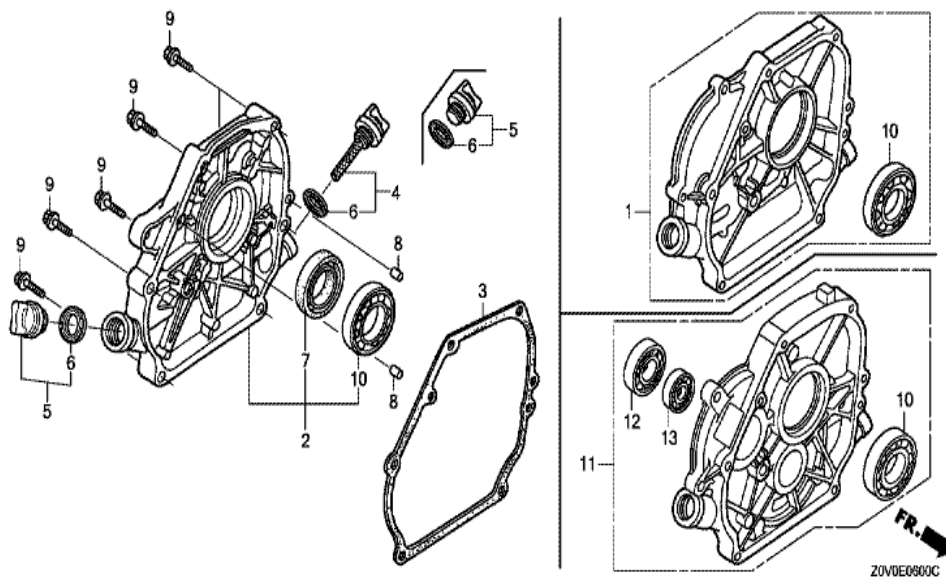
GX200T(VPM4)	E-40 OTHER PARTS (1)
--------------	----------------------



Ref	Partnumber	Description	GX200T	Serial Numbers
001	16561-ZL0-000	SPRING, GOVERNOR	1	
002	18355-ZE1-810	ARRESTER, SPARK (SILENT)	1	
003	18381-ZH8-800	GASKET, MUFFLER	1	
003	18381-ZH8-800	GASKET, MUFFLER	1	
004	94001-080000S	NUT, HEX., 8MM	2	

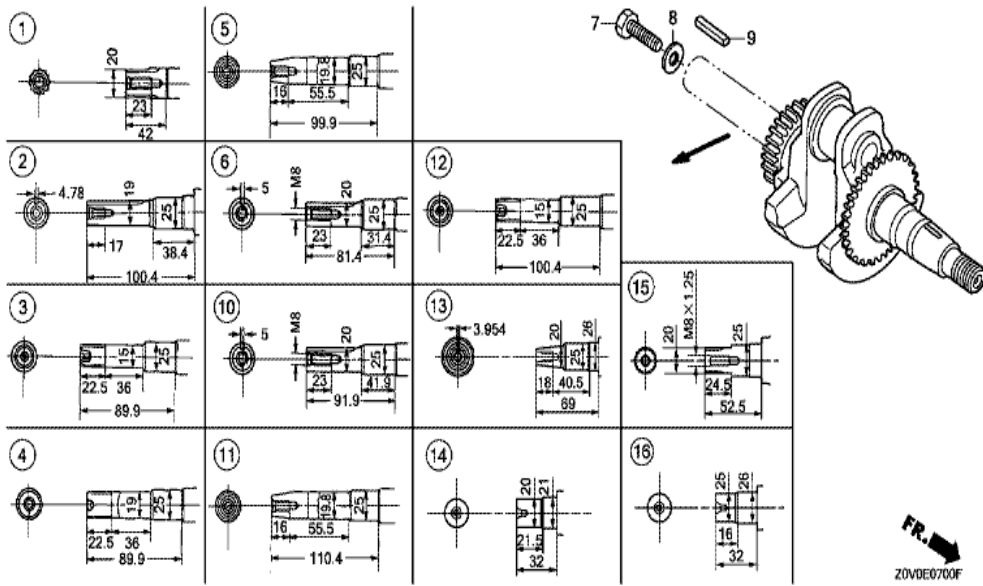
GX200T(VPM4)

E-6 CRANKCASE COVER (1)



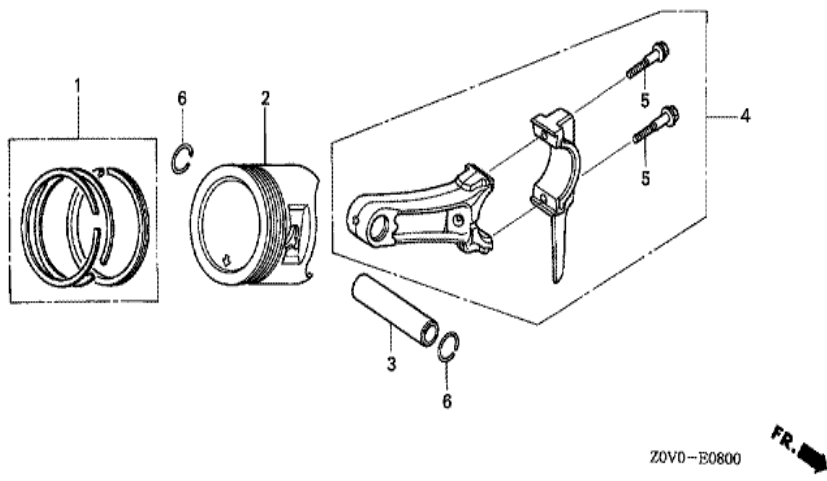
<u>Ref</u>	<u>Partnumber</u>	<u>Description</u>	<u>GX200T</u>	<u>Serial Numbers</u>
002	11300-ZE1-642	COVER ASSY., CRANKCASE	1	
002	11300-ZE1-642	COVER ASSY., CRANKCASE	1	
002	11300-ZE1-642	COVER ASSY., CRANKCASE	1	
003	11381-ZL0-000	PACKING, CASE COVER	1	
003	11381-ZL0-000	PACKING, CASE COVER	1	
004	15600-ZOT-810	CAP ASSY., OIL FILLER (GAUGE) (GRAY)	1	
005	15600-ZOT-820	CAP ASSY., OIL FILLER (BLACK)	1	
006	15625-ZOT-800	PACKING, OIL FILLER CAP	2	
006	15625-ZOT-800	PACKING, OIL FILLER CAP	2	
007	91201-ZOT-801	OIL SEAL, 25X41X6	1	
008	94301-08140	DOWEL PIN, 8X14	2	
009	95701-0803200	BOLT, FLANGE, 8X32	6	
010	96100-6205000	BEARING, RADIAL BALL, 6205	1	
<u>Ref</u>	<u>Partnumber</u>	<u>Description</u>	<u>GX200T</u>	<u>Serial Numbers</u>
010	96100-6205000	BEARING, RADIAL BALL, 6205	1	

GX200T(VPM4)	E-7 CRANKSHAFT
--------------	----------------



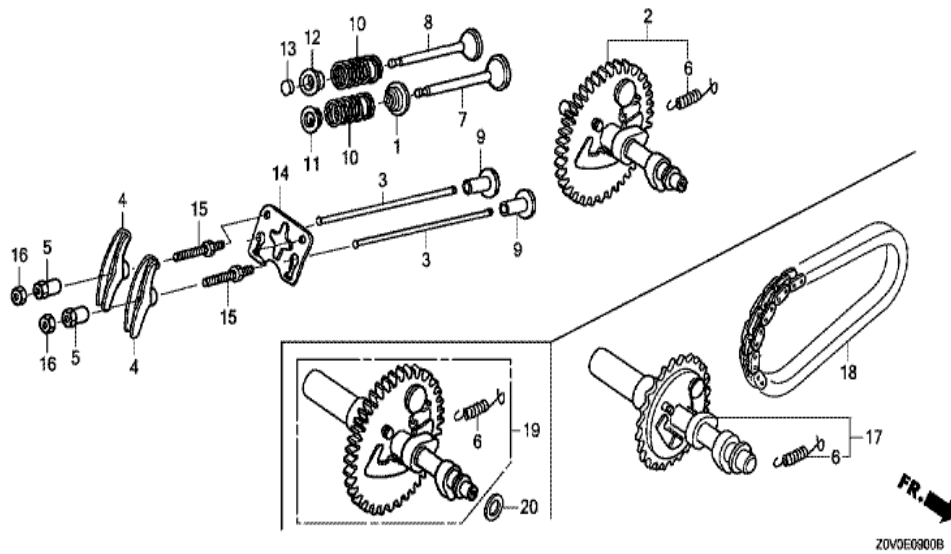
Ref	Partnumber	Description	GX200T	Serial Numbers
011	13310-ZL0-672	CRANKSHAFT COMP.	1	
011	13310-ZL0-672	CRANKSHAFT COMP.	1	

GX200T(VPM4)	E-8 PISTON
--------------	------------



<u>Ref</u>	<u>Partnumber</u>	<u>Description</u>	<u>GX200T</u>	<u>Serial Numbers</u>
001	13010-Z0T-801	RING SET, PISTON (STD.) (RIKEN)	1	
001	13011-Z0T-801	RING SET, PISTON (0.25) (RIKEN)	(1)	1385828
001	13011-Z0T-801	RING SET, PISTON (0.25) (RIKEN)	(1)	
001	13012-Z0T-801	RING SET, PISTON (0.50) (RIKEN)	(1)	1385828
001	13012-Z0T-801	RING SET, PISTON (0.50) (RIKEN)	(1)	
001	13013-Z0T-801	RING SET, PISTON (0.75) (RIKEN)	(1)	1385828
001	13013-Z0T-801	RING SET, PISTON (0.75) (RIKEN)	(1)	
002	13101-Z0T-800	PISTON (STD.)	1	
002	13102-Z0T-800	PISTON (0.25)	(1)	
002	13102-Z0T-800	PISTON (0.25)	(1)	
002	13102-Z0T-800	PISTON (0.25)	(1)	
002	13102-Z0T-800	PISTON (0.25)	(1)	
002	13102-Z0T-800	PISTON (0.25)	(1)	
<u>Ref</u>	<u>Partnumber</u>	<u>Description</u>	<u>GX200T</u>	<u>Serial Numbers</u>
002	13103-Z0T-800	PISTON (0.50)	(1)	
002	13103-Z0T-800	PISTON (0.50)	(1)	
002	13103-Z0T-800	PISTON (0.50)	(1)	
002	13103-Z0T-800	PISTON (0.50)	(1)	
002	13103-Z0T-800	PISTON (0.50)	(1)	
002	13104-Z0T-800	PISTON (0.75)	(1)	
002	13104-Z0T-800	PISTON (0.75)	(1)	
002	13104-Z0T-800	PISTON (0.75)	(1)	
002	13104-Z0T-800	PISTON (0.75)	(1)	
002	13104-Z0T-800	PISTON (0.75)	(1)	
003	13111-ZE1-000	PIN, PISTON	1	
003	13111-ZE1-000	PIN, PISTON	1	
003	13111-ZE1-000	PIN, PISTON	1	
004	13200-Z0T-800	ROD ASSY., CONNECTING (TH)	1	
005	90001-ZE1-000	BOLT, CONNECTING ROD	2	
006	90551-ZE1-000	CLIP, PISTON PIN, 18MM	2	

GX200T(VPM4)	E-9 CAMSHAFT
--------------	--------------

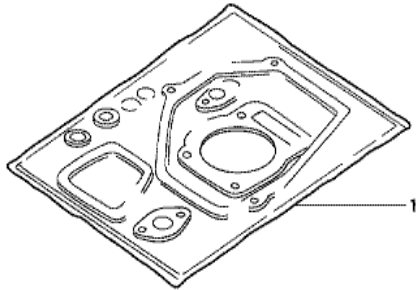


<u>Ref</u>	<u>Partnumber</u>	<u>Description</u>	<u>GX200T</u>	<u>Serial Numbers</u>
001	12209-ZH8-003	SEAL, VALVE STEM	1	
001	12209-ZH8-003	SEAL, VALVE STEM	1	
002	14100-ZL0-000	CAMSHAFT ASSY.	1	
002	14100-ZL0-000	CAMSHAFT ASSY.	1	
003	14410-ZE1-010	ROD, PUSH	2	
003	14410-ZE1-010	ROD, PUSH	2	
004	14431-ZE1-000	ARM, VALVE ROCKER	2	
005	14451-ZE1-013	PIVOT, ROCKER ARM	2	
005	14451-ZE1-013	PIVOT, ROCKER ARM	2	
006	14568-ZE1-000	SPRING, WEIGHT RETURN	1	
006	14568-ZE1-000	SPRING, WEIGHT RETURN	1	
007	14711-ZF1-000	VALVE, IN.	1	
007	14711-ZF1-000	VALVE, IN.	1	
<u>Ref</u>	<u>Partnumber</u>	<u>Description</u>	<u>GX200T</u>	<u>Serial Numbers</u>
007	14711-ZF1-000	VALVE, IN.	1	
008	14721-ZF1-000	VALVE, EX.	1	
008	14721-ZF1-000	VALVE, EX.	1	
008	14721-ZF1-000	VALVE, EX.	1	
009	14731-ZL0-000	LIFTER, VALVE	2	
010	14751-ZF1-000	SPRING, VALVE	2	
011	14771-ZE1-000	RETAINER, IN. VALVE SPRING	1	
011	14771-ZE1-000	RETAINER, IN. VALVE SPRING	1	
012	14773-ZE1-000	RETAINER, EX. VALVE SPRING	1	
012	14773-ZE1-000	RETAINER, EX. VALVE SPRING	1	
012	14773-ZE1-000	RETAINER, EX. VALVE SPRING	1	
013	14781-ZE1-000	ROTATOR, VALVE	1	
014	14791-ZE1-010	PLATE, PUSH ROD GUIDE	1	
014	14791-ZE1-010	PLATE, PUSH ROD GUIDE	1	
015	90012-ZE0-010	BOLT, PIVOT, 8MM	2	
016	90206-ZE1-000	NUT, PIVOT ADJUSTING	2	



GX200T(VPM4)

EOP-1 GASKET KIT



HENG-X0003

<u>Ref</u>	<u>Partnumber</u>	<u>Description</u>	<u>GX200T</u>	<u>Serial Numbers</u>
001	06111-ZL0-000	GASKET KIT	1	