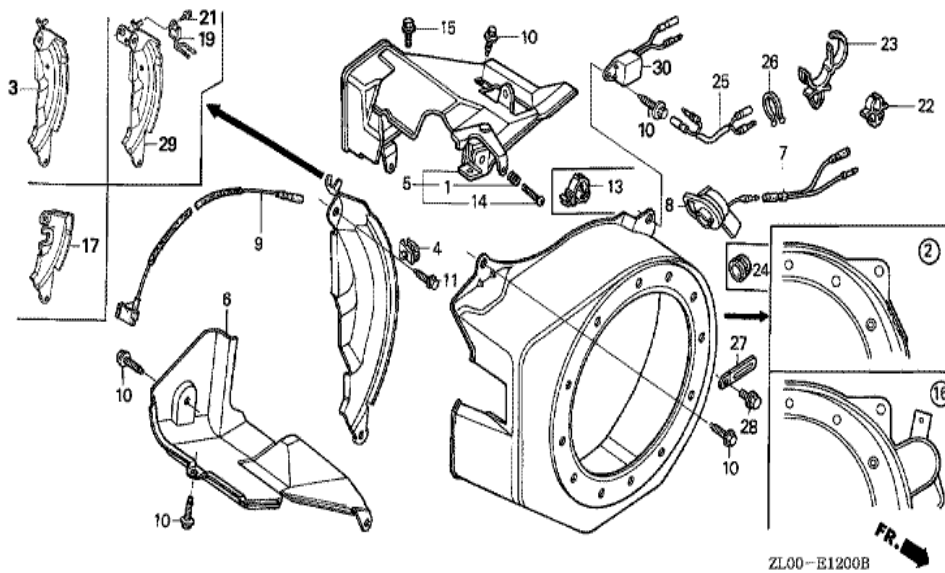
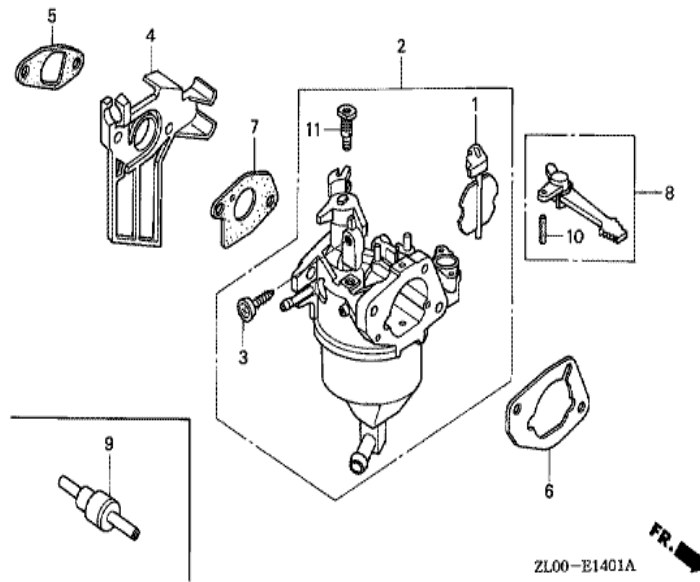


<u>Ref</u>	<u>Partnumber</u>	<u>Description</u>	<u>GX200</u>	<u>Serial Numbers</u>
001	28400-ZH8-013YA	STARTER ASSY., RECOIL *R280 *	1	
001	28400-ZH8-013YA	STARTER ASSY., RECOIL *R280 *	1	1812940
002	28405-ZL0-000ZD	SPACER, RECOIL STARTER MOUNTING *	1	1812940
002	28405-ZL0-000ZD	SPACER, RECOIL STARTER MOUNTING *	1	
003	28410-ZH8-003YA	CASE COMP., RECOIL STARTER *R280 *	1	
003	28410-ZH8-003YA	CASE COMP., RECOIL STARTER *R280 *	1	1812940
004	28420-ZH8-013	REEL, RECOIL STARTER (NATURAL)	1	
005	28422-ZH8-013	RATCHET, STARTER	2	
006	28433-ZH8-003	GUIDE, RATCHET	1	
007	28441-ZH8-003	SPRING, FRICTION	1	
008	28442-ZH8-003	SPRING, RECOIL STARTER	1	
009	28443-ZH8-003	SPRING, RETURN	2	
010	28461-ZH8-003	GRIP, STARTER	1	
<u>Ref</u>	<u>Partnumber</u>	<u>Description</u>	<u>GX200</u>	<u>Serial Numbers</u>
011	28462-ZH8-003	ROPE, RECOIL STARTER	1	
012	90003-ZH8-003	SCREW, SETTING	1	
013	95701-0601800	BOLT, FLANGE, 6X18	3	
013	95701-0601800	BOLT, FLANGE, 6X18	3	



ZL00-E1200B

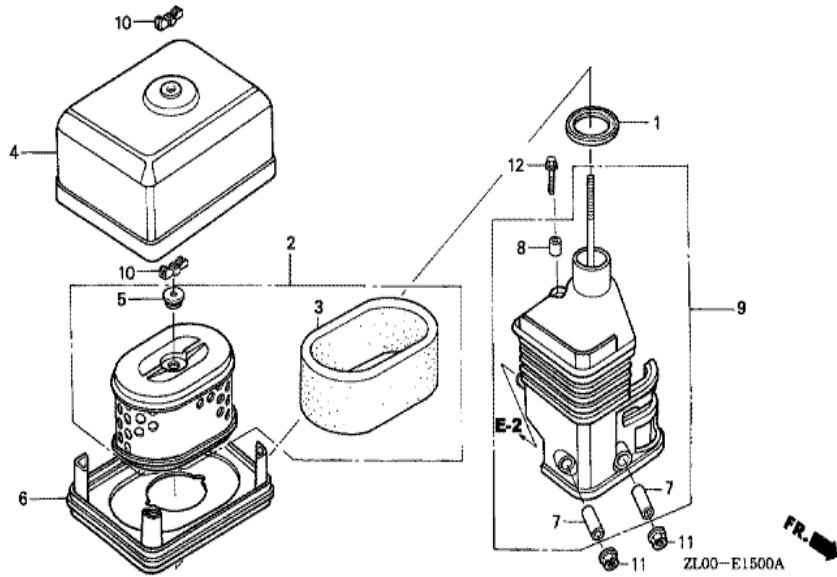
<u>Ref</u>	<u>Partnumber</u>	<u>Description</u>	<u>GX200</u>	<u>Serial Numbers</u>
002	19610-ZL0-000ZB	COVER COMP., FAN *R8 *	1	1812939
002	19610-ZL0-000ZB	COVER COMP., FAN *R8 *	1	
003	19612-ZH8-810	PLATE, SIDE (OIL ALERT)	1	1110329
003	19612-ZH8-810	PLATE, SIDE (OIL ALERT)	1	1000027
003	19612-ZH8-811	PLATE, SIDE (OIL ALERT)	1	1110330
003	19612-ZH8-811	PLATE, SIDE (OIL ALERT)	1	1000028
004	19613-ZE1-000	CLAMPER, CORD	1	
004	19613-ZE1-000	CLAMPER, CORD	1	1061455
006	19630-ZH8-000	SHROUD COMP.	1	
007	32197-ZH8-003	SUB HARNESS	1	
007	32197-ZH8-003	SUB HARNESS	1	1061455
008	36100-ZE1-015	SWITCH ASSY., ENGINE STOP	1	1061455
008	36100-ZE1-015	SWITCH ASSY., ENGINE STOP	1	
<u>Ref</u>	<u>Partnumber</u>	<u>Description</u>	<u>GX200</u>	<u>Serial Numbers</u>
008	36100-ZH7-003	SWITCH ASSY., ENGINE STOP	1	1061456
008	36100-ZH7-003	SWITCH ASSY., ENGINE STOP	1	1061456
009	36101-ZE1-010	CORD, STOP SWITCH (370MM)	1	
009	36101-ZE1-010	CORD, STOP SWITCH (370MM)	1	
010	90013-883-000	BOLT, FLANGE, 6X12 (CT200)	4	
010	90013-883-000	BOLT, FLANGE, 6X12 (CT200)	6	
011	90022-888-010	BOLT, FLANGE, 6X20 (CT200)	1	
013	90601-ZH7-013	CLIP, HARNESS	1	
013	90601-ZH7-013	CLIP, HARNESS	1	1061456
019	34150-ZH7-003	ALERT UNIT, OIL	1	
021	95701-0600800	BOLT, FLANGE, 6X8	1	
029	19611-ZH8-810	PLATE COMP., SIDE (OIL ALERT)	1	
029	19611-ZH8-810	PLATE COMP., SIDE (OIL ALERT)	1	1000088



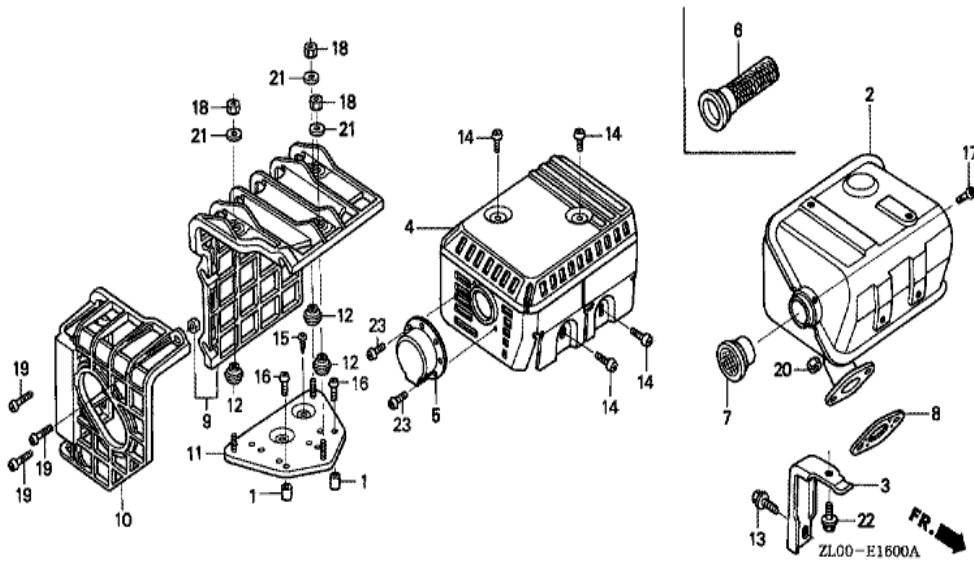
ZL00-E1401A



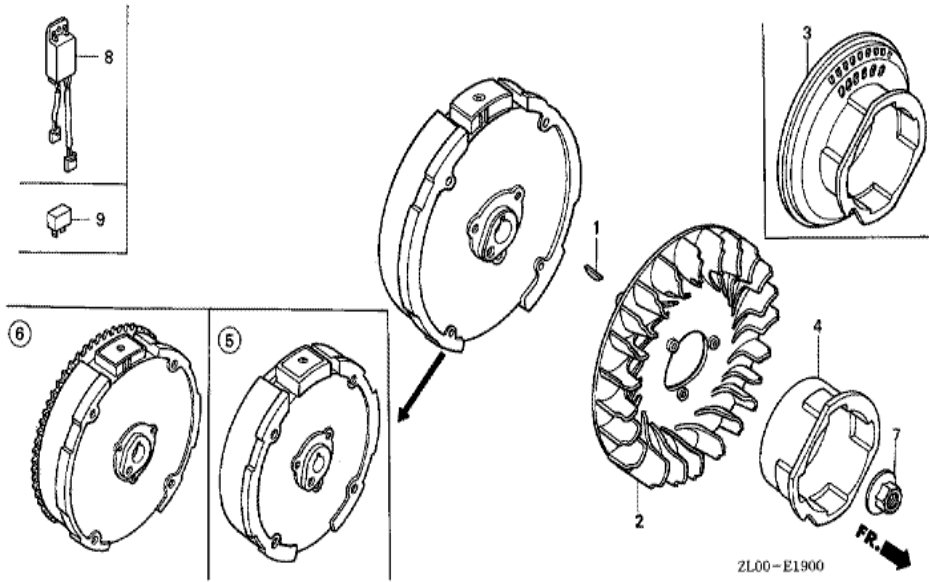
Ref	Partnumber	Description	GX200	Serial Numbers
001	16044-ZL0-831	CHOKE SET	1	
002	16100-ZL0-831	CARBURETOR ASSY. (BEL1A A)	1	
003	16124-ZE0-005	SCREW, THROTTLE STOP	1	
004	16211-ZL0-000	INSULATOR, CARBURETOR	1	
005	16212-ZH8-800	PACKING, INSULATOR	1	
006	16220-ZE1-020	SPACER COMP., CARBURETOR	1	
007	16221-ZH8-801	PACKING, CARBURETOR	1	
008	16610-ZE1-000	LEVER COMP., CHOKE (STD.)	1	
009	36135-PH3-004	VALVE, DASHPOT CHECK	(1)	
010	94305-20122	PIN, SPRING, 2X12	1	
011	99104-ZL00350	JET, PILOT, #35	1	



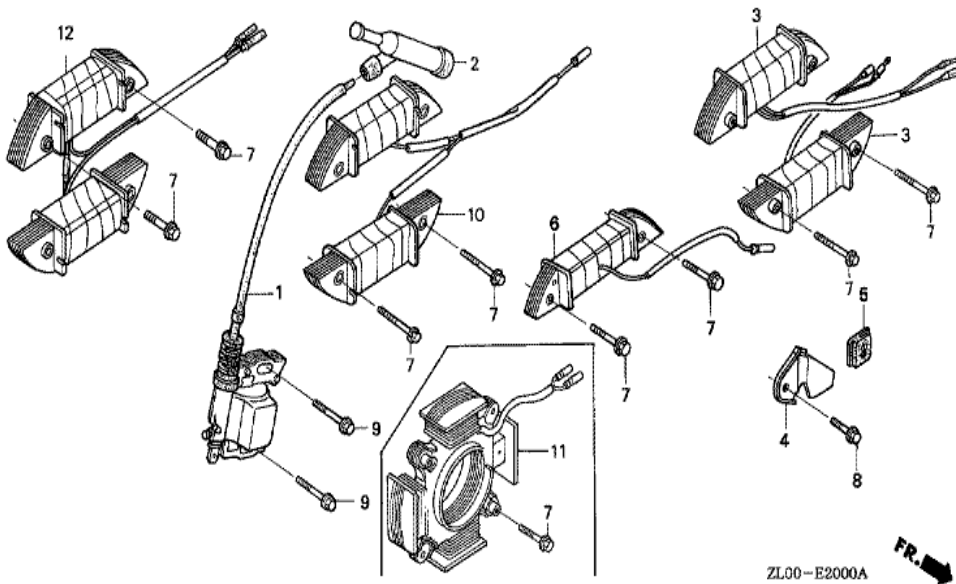
Ref	Partnumber	Description	GX200	Serial Numbers
001	16271-ZE1-000	PACKING, ELBOW	1	
002	17210-ZE1-822	ELEMENT, AIR CLEANER (DUAL)	1	
003	17218-ZE1-821	FILTER, OUTER	1	
004	17230-ZE1-820	COVER, AIR CLEANER (DUAL)	1	
005	17232-891-000	GROMMET, AIR CLEANER	1	
006	17235-ZE1-831	NOSE, SILENCER	1	
007	17238-ZE7-010	COLLAR, AIR CLEANER	2	
008	17239-ZE1-000	COLLAR B, AIR CLEANER	1	
009	17410-ZE1-020	ELBOW COMP., AIR CLEANER	1	
010	90325-044-000	NUT, TOOL BOX SETTING	2	
011	94050-06000	NUT, FLANGE, 6MM	2	
012	95701-0602000	BOLT, FLANGE, 6X20	1	



Ref	Partnumber	Description	GX200	Serial Numbers
002	18310-ZL0-000	MUFFLER COMP.	1	
003	18315-ZE1-000	STAY, MUFFLER	1	
004	18320-ZF1-H51	PROTECTOR, MUFFLER (SILENT)	1	
006	18355-ZL0-000	ARRESTER, SPARK	1	
006	18355-ZL0-000	ARRESTER, SPARK	(1)	
007	18361-ZL0-000	NETTING, WIRE FLANGE	1	
008	18381-ZH8-800	GASKET, MUFFLER	1	
013	90016-ZE1-000	BOLT, FLANGE, 6X13 (CT200)	1	
014	90050-ZE1-000	SCREW, TAPPING, 5X8	4	
017	90056-ZL0-000	SCREW, TAPPING, 4X6	1	
017	90056-ZL0-000	SCREW, TAPPING, 4X6	1	
020	94001-080000S	NUT, HEX., 8MM	2	
022	95701-0601200	BOLT, FLANGE, 6X12	1	



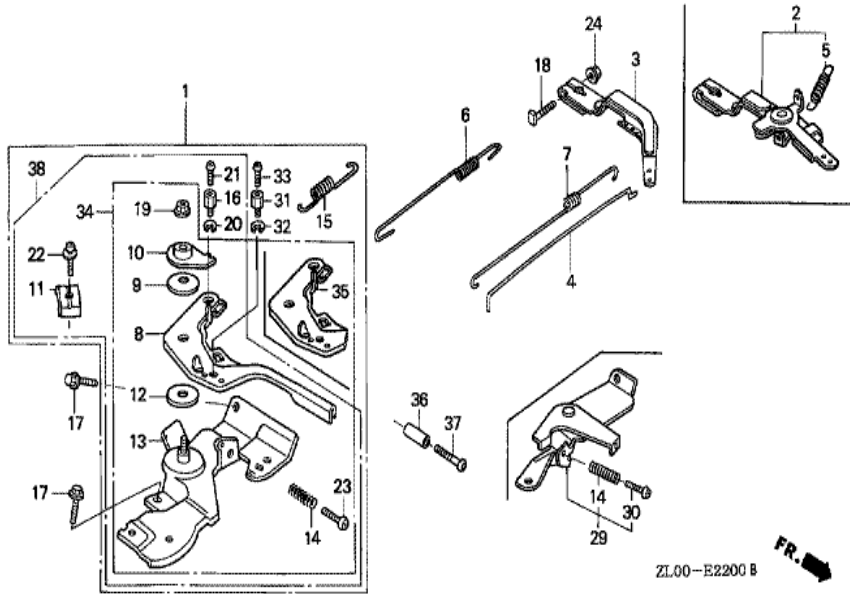
Ref	Partnumber	Description	GX200	Serial Numbers
001	13331-357-000	KEY, SPECIAL WOODRUFF, 25X18	1	
002	19511-ZE1-000	FAN, COOLING	1	
004	28451-ZL0-000	PULLEY, STARTER	1	
004	28451-ZL0-000	PULLEY, STARTER	1	
005	31100-ZE7-010	FLYWHEEL COMP. (STD.)	1	
005	31100-ZE7-010	FLYWHEEL COMP. (STD.)	1	
007	90201-878-003	NUT, SPECIAL, 14MM	1	



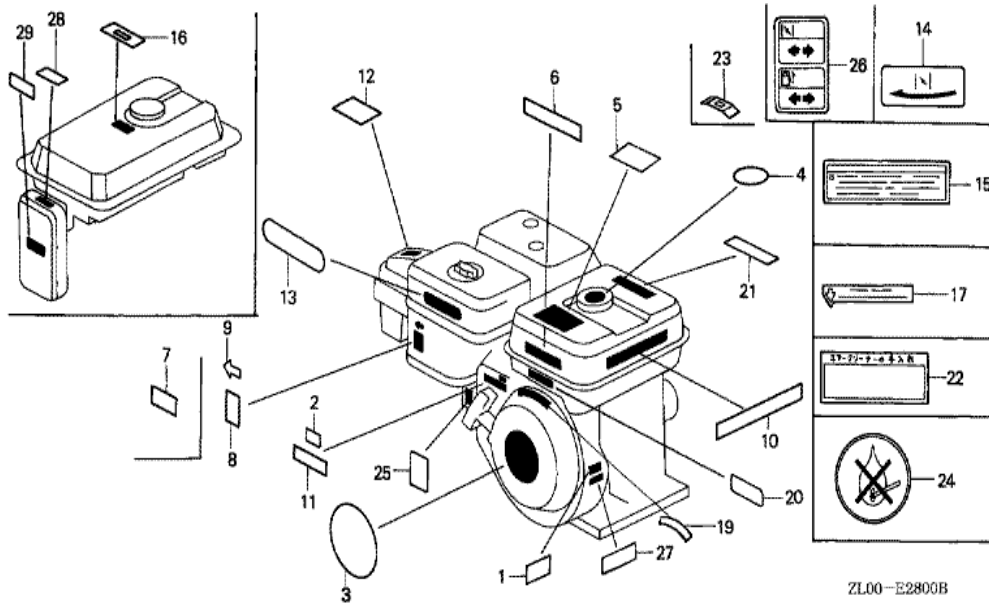
ZL00-E2000A



Ref	Partnumber	Description	GX200	Serial Numbers
001	30500-ZE1-043	COIL ASSY., IGNITION	1	1741678
001	30500-ZE1-043	COIL ASSY., IGNITION	1	
002	30700-ZE1-013	CAP ASSY., NOISE SUPPRESSOR (NICHIWA Y-E	1	
002	30700-ZE1-013	CAP ASSY., NOISE SUPPRESSOR (NICHIWA Y-E	1	
009	90121-952-000	BOLT, FLANGE, 6X25 (CT200)	2	

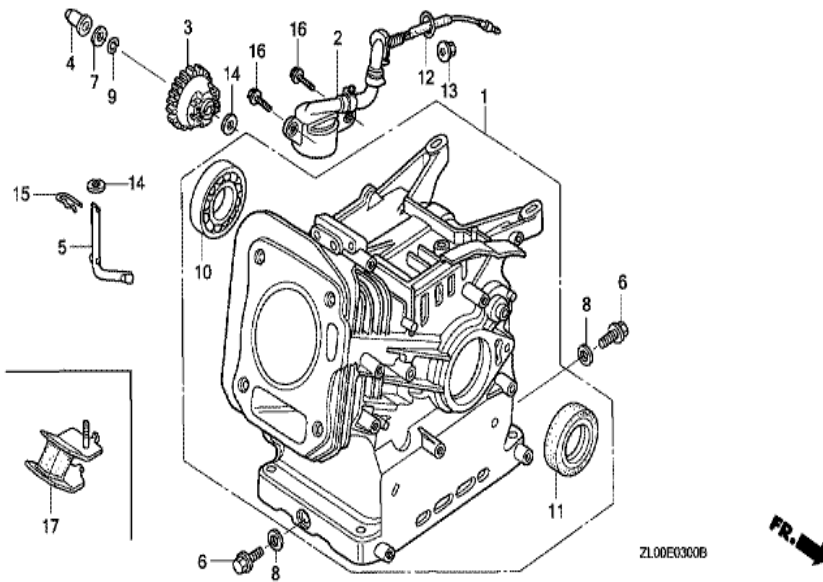


<u>Ref</u>	<u>Partnumber</u>	<u>Description</u>	<u>GX200</u>	<u>Serial Numbers</u>
003	16551-ZL0-000	ARM, GOVERNOR	1	
004	16555-ZE1-000	ROD, GOVERNOR	1	
006	16561-ZL0-000	SPRING, GOVERNOR	1	
007	16562-ZE1-020	SPRING, THROTTLE RETURN	1	
008	16571-ZH8-020	LEVER, CONTROL	1	1288956
008	16571-ZH8-020	LEVER, CONTROL	1	
009	16574-ZE1-000	SPRING, LEVER	1	
010	16575-ZH8-000	WASHER, CONTROL LEVER	1	
012	16578-ZE1-000	SPACER, CONTROL LEVER	1	
013	16580-ZH8-030	BASE COMP., CONTROL	1	1288956
013	16580-ZH8-030	BASE COMP., CONTROL	1	
014	16584-883-300	SPRING, CONTROL ADJUSTING	1	
017	90013-883-000	BOLT, FLANGE, 6X12 (CT200)	2	
<u>Ref</u>	<u>Partnumber</u>	<u>Description</u>	<u>GX200</u>	<u>Serial Numbers</u>
018	90015-ZE5-010	BOLT, GOVERNOR ARM	1	
019	90114-SA0-000	NUT, SELF-LOCK, 6MM	1	
023	93500-050250A	SCREW, PAN, 5X25	1	
023	93500-050250A	SCREW, PAN, 5X25	1	
024	94050-06000	NUT, FLANGE, 6MM	1	
034	16500-ZH8-030	CONTROL ASSY.	1	1288956
034	16500-ZH8-030	CONTROL ASSY.	1	

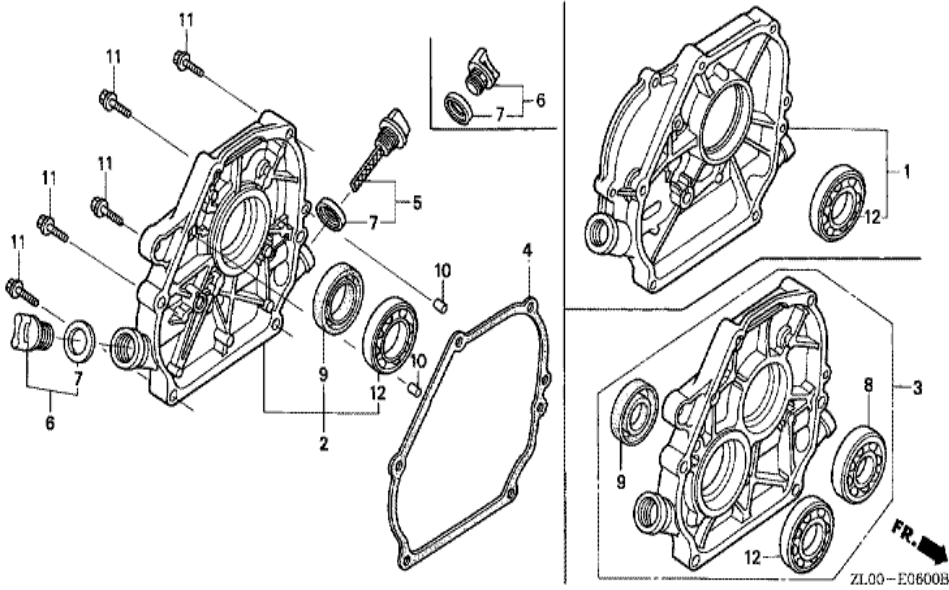


ZL00-E2800B

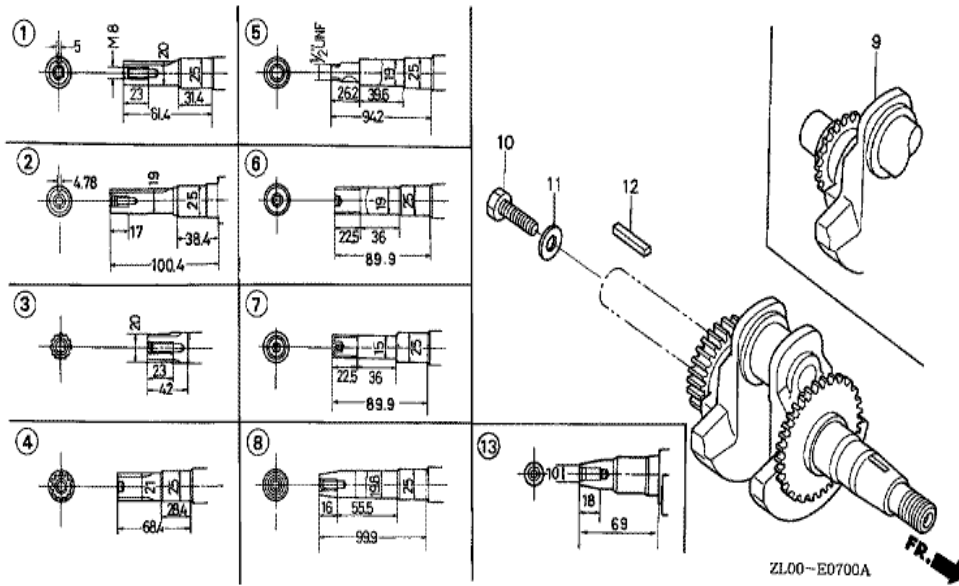
<u>Ref</u>	<u>Partnumber</u>	<u>Description</u>	<u>GX200</u>	<u>Serial Numbers</u>
002	87124-ZV3-010	MARK, EMERGENCY SWITCH INDICATION	1	
003	87521-ZL0-000	EMBLEM	1	
003	87521-ZL0-000	EMBLEM	1	
006	87522-ZH9-010	LABEL, CAUTION (ENGLISH, ETC.)	1	
006	87522-ZH9-010	LABEL, CAUTION (ENGLISH, ETC.)	1	
009	87528-883-661	MARK, CHOKE	1	
010	87532-ZB4-G60	MARK, OIL ALERT (GERMAN)	1	
010	87532-ZB4-H50	MARK, OIL ALERT (FRENCH)	1	1144320
010	87532-ZB4-H50	MARK, OIL ALERT (FRENCH)	1	
010	87532-ZB4-H50	MARK, OIL ALERT (FRENCH)	1	
010	87532-ZH8-810	MARK, OIL ALERT (ENGLISH)	1	
010	87532-ZH8-810	MARK, OIL ALERT (ENGLISH)	1	
010	87532-ZH8-810	MARK, OIL ALERT (ENGLISH)	1	
<u>Ref</u>	<u>Partnumber</u>	<u>Description</u>	<u>GX200</u>	<u>Serial Numbers</u>
011	87532-ZH8-W40	MARK, THROTTLE INDICATION	1	
020	87135-ZE2-000	LABEL, E-SPEC (HONDA) (EPA STANDARD) (15	1	
020	87135-ZE2-000	LABEL, E-SPEC (HONDA) (EPA STANDARD) (15	1	1000127
020	87135-ZE2-010	LABEL, E-SPEC (EPA STANDARD) (15.5X60.0)	1	1000128
020	87135-ZE2-010	LABEL, E-SPEC (EPA STANDARD) (15.5X60.0)	1	1000128



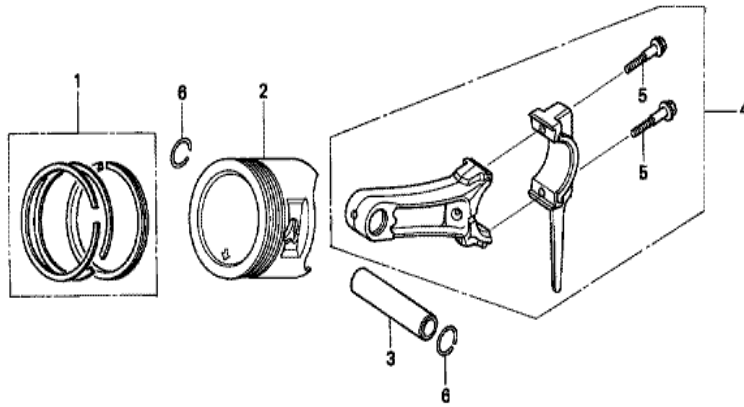
<u>Ref</u>	<u>Partnumber</u>	<u>Description</u>	<u>GX200</u>	<u>Serial Numbers</u>
001	12000-ZL0-407	BARREL ASSY., CYLINDER	1	1853341
001	12000-ZL0-407	BARREL ASSY., CYLINDER	1	1853341
001	12000-ZL0-417	BARREL ASSY., CYLINDER	1	1853342
001	12000-ZL0-417	BARREL ASSY., CYLINDER	1	1853342
002	15510-ZE1-033	SWITCH ASSY., OIL LEVEL	1	
003	16506-ZL0-000	GOVERNOR ASSY.	1	
004	16531-ZE1-000	SLIDER, GOVERNOR	1	
005	16541-ZE1-000	SHAFT, GOVERNOR ARM	1	
006	90131-ZE1-000	BOLT, DRAIN PLUG	2	
007	90451-ZE1-000	WASHER, THRUST, 6MM	1	
008	90601-ZE1-000	WASHER, DRAIN PLUG, 10.2MM	2	
009	90602-ZE1-000	CLIP, GOVERNOR HOLDER	1	
010	91001-ZF1-003	BEARING, RADIAL BALL (6205TMB) (NTN)	1	
<u>Ref</u>	<u>Partnumber</u>	<u>Description</u>	<u>GX200</u>	<u>Serial Numbers</u>
010	91001-ZF1-004	BEARING, RADIAL BALL (6205SH) (KOYO)	1	
010	91001-ZF1-004	BEARING, RADIAL BALL (6205SH) (KOYO)	1	
011	91202-883-005	OIL SEAL, 25X41X6	1	1853341
011	91202-883-005	OIL SEAL, 25X41X6	1	
012	91353-671-004	O-RING, 14MM (NOK)	1	
013	94050-10000	NUT, FLANGE, 10MM	1	
014	94101-06800	WASHER, PLAIN, 6MM	2	
015	94251-08000	PIN, LOCK, 8MM	1	
016	95701-0601200	BOLT, FLANGE, 6X12	2	



<u>Ref</u>	<u>Partnumber</u>	<u>Description</u>	<u>GX200</u>	<u>Serial Numbers</u>
002	11300-ZE1-641	COVER ASSY., CRANKCASE	1	1854346
002	11300-ZE1-641	COVER ASSY., CRANKCASE	1	1856155
002	11300-ZE1-642	COVER ASSY., CRANKCASE	1	1856156
002	11300-ZE1-642	COVER ASSY., CRANKCASE	1	1856156
004	11381-ZL0-000	PACKING, CASE COVER	1	
004	11381-ZL0-000	PACKING, CASE COVER	1	
005	15600-ZE1-003	CAP ASSY., OIL FILLER (GRAY)	1	
006	15600-ZG4-003	CAP ASSY., OIL FILLER	1	
007	15625-ZE1-003	PACKING, OIL FILLER CAP	2	
009	91202-883-005	OIL SEAL, 25X41X6	1	1854346
009	91202-883-005	OIL SEAL, 25X41X6	1	
010	94301-08140	DOWEL PIN, 8X14	2	
011	95701-0803200	BOLT, FLANGE, 8X32	6	
<u>Ref</u>	<u>Partnumber</u>	<u>Description</u>	<u>GX200</u>	<u>Serial Numbers</u>
011	95701-0803200	BOLT, FLANGE, 8X32	6	
012	96100-6205000	BEARING, RADIAL BALL, 6205	1	



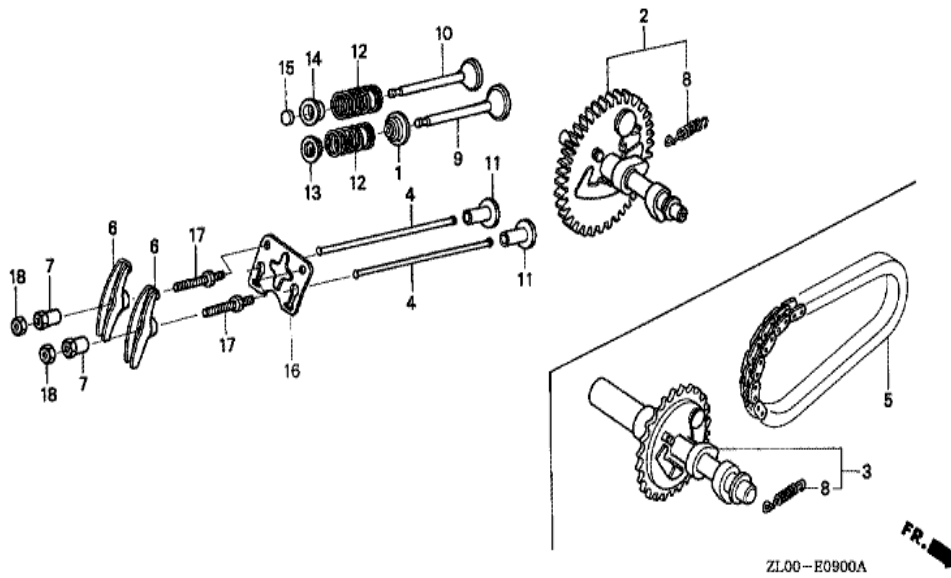
Ref	Partnumber	Description	GX200	Serial Numbers
008	13310-ZL0-670	CRANKSHAFT COMP.	1	



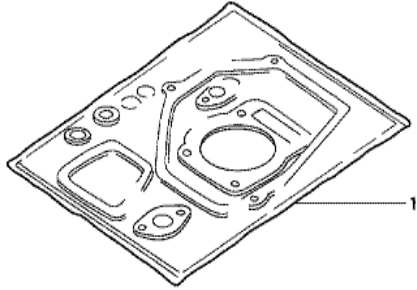
ZL00-E0800A



<u>Ref</u>	<u>Partnumber</u>	<u>Description</u>	<u>GX200</u>	<u>Serial Numbers</u>
001	13010-ZL0-003	RING SET, PISTON (STD.) (TEIKOKU)	1	
001	13010-ZL0-004	RING SET, PISTON (STD.) (NIPPON)	1	
001	13010-ZL0-004	RING SET, PISTON (STD.) (NIPPON)	1	
001	13011-ZL0-003	RING SET, PISTON (0.25) (TEIKOKU)	(1)	
001	13011-ZL0-003	RING SET, PISTON (0.25) (TEIKOKU)	(1)	
001	13011-ZL0-004	RING SET, PISTON (0.25) (NIPPON)	(1)	
001	13011-ZL0-004	RING SET, PISTON (0.25) (NIPPON)	(1)	
001	13012-ZL0-003	RING SET, PISTON (0.50) (TEIKOKU)	(1)	
001	13012-ZL0-003	RING SET, PISTON (0.50) (TEIKOKU)	(1)	
001	13012-ZL0-004	RING SET, PISTON (0.50) (NIPPON)	(1)	
001	13012-ZL0-004	RING SET, PISTON (0.50) (NIPPON)	(1)	
001	13013-ZL0-003	RING SET, PISTON (0.75) (TEIKOKU)	(1)	
001	13013-ZL0-003	RING SET, PISTON (0.75) (TEIKOKU)	(1)	
<u>Ref</u>	<u>Partnumber</u>	<u>Description</u>	<u>GX200</u>	<u>Serial Numbers</u>
001	13013-ZL0-004	RING SET, PISTON (0.75) (NIPPON)	(1)	
001	13013-ZL0-004	RING SET, PISTON (0.75) (NIPPON)	(1)	
002	13101-ZL0-010	PISTON (STD.)	1	
002	13102-ZL0-010	PISTON (0.25)	(1)	
002	13102-ZL0-010	PISTON (0.25)	(1)	
002	13103-ZL0-010	PISTON (0.50)	(1)	
002	13103-ZL0-010	PISTON (0.50)	(1)	
002	13104-ZL0-010	PISTON (0.75)	(1)	
002	13104-ZL0-010	PISTON (0.75)	(1)	
003	13111-ZE1-000	PIN, PISTON	1	
004	13200-ZE1-010	ROD ASSY., CONNECTING (STD.)	1	
004	132A0-ZE1-000	ROD ASSY., CONNECTING (0.25 UNDER SIZE)	(1)	
005	90001-ZE1-000	BOLT, CONNECTING ROD	2	
006	90551-ZE1-000	CLIP, PISTON PIN, 18MM	2	



<u>Ref</u>	<u>Partnumber</u>	<u>Description</u>	<u>GX200</u>	<u>Serial Numbers</u>
001	12209-ZH8-003	SEAL, VALVE STEM	1	1000128
001	12209-ZL0-003	SEAL, VALVE STEM	1	1646760
001	12209-ZL0-003	SEAL, VALVE STEM	1	1000127
002	14100-ZL0-000	CAMSHAFT ASSY.	1	
004	14410-ZE1-010	ROD, PUSH	2	
006	14431-ZE1-000	ARM, VALVE ROCKER	2	
007	14451-ZE1-013	PIVOT, ROCKER ARM	2	
008	14568-ZE1-000	SPRING, WEIGHT RETURN	1	
009	14711-ZF1-000	VALVE, IN.	1	
010	14721-ZE7-000	VALVE, EX.	1	
010	14721-ZE7-000	VALVE, EX.	1	
011	14731-ZL0-000	LIFTER, VALVE	2	
012	14751-ZF1-000	SPRING, VALVE	2	
<u>Ref</u>	<u>Partnumber</u>	<u>Description</u>	<u>GX200</u>	<u>Serial Numbers</u>
012	14751-ZF1-000	SPRING, VALVE	2	
013	14771-ZE1-000	RETAINER, IN. VALVE SPRING	1	
014	14771-ZE1-000	RETAINER, IN. VALVE SPRING	1	
014	14771-ZE1-000	RETAINER, IN. VALVE SPRING	1	
016	14791-ZE1-010	PLATE, PUSH ROD GUIDE	1	
017	90012-ZE0-010	BOLT, PIVOT, 8MM	2	
018	90206-ZE1-000	NUT, PIVOT ADJUSTING	2	



HENG-X0003

<u>Ref</u>	<u>Partnumber</u>	<u>Description</u>	<u>GX200</u>	<u>Serial Numbers</u>
001	06111-ZLO-000	GASKET KIT	1	