



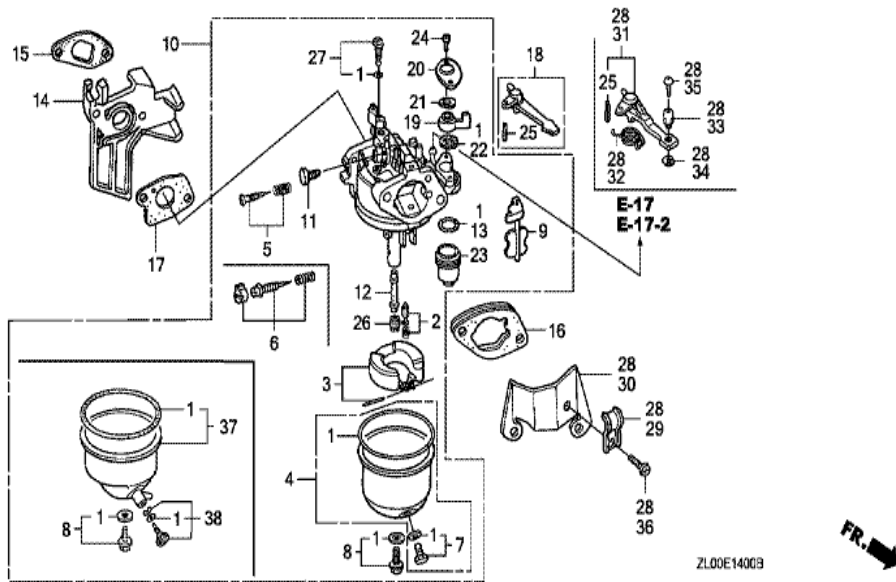
| <u>Ref</u> | <u>Partnumber</u> | <u>Description</u>                 | <u>GX200</u> | <u>Serial Numbers</u> |
|------------|-------------------|------------------------------------|--------------|-----------------------|
| 001        | 28400-ZH8-013YA   | STARTER ASSY., RECOIL *R280 *      | 1            | 1812940               |
| 001        | 28400-ZH8-013ZA   | STARTER ASSY., RECOIL *R8 *        | 1            | 1812939               |
| 001        | 28400-ZH8-013ZA   | STARTER ASSY., RECOIL *R8 *        | 1            | 1812939               |
| 001        | 28400-ZH8-013ZB   | STARTER ASSY., RECOIL *NH1 *       | 1            |                       |
| 001        | 28400-ZH8-013ZB   | STARTER ASSY., RECOIL *NH1 *       | 1            |                       |
| 002        | 28405-ZL0-000ZA   | SPACER, RECOIL STARTER MOUNTING *  | 1            |                       |
| 002        | 28405-ZL0-000ZB   | SPACER, RECOIL STARTER MOUNTING *  | 1            | 1812939               |
| 002        | 28405-ZL0-000ZB   | SPACER, RECOIL STARTER MOUNTING *  | 1            | 1812939               |
| 002        | 28405-ZL0-000ZD   | SPACER, RECOIL STARTER MOUNTING *  | 1            | 1812940               |
| 002        | 28405-ZL0-000ZD   | SPACER, RECOIL STARTER MOUNTING *  | 1            | 1812940               |
| 003        | 28410-ZH8-003YA   | CASE COMP., RECOIL STARTER *R280 * | 1            | 1812940               |
| 003        | 28410-ZH8-003ZA   | CASE COMP., RECOIL STARTER *R8 *   | 1            | 1812939               |
| 003        | 28410-ZH8-003ZA   | CASE COMP., RECOIL STARTER *R8 *   | 1            | 1812939               |
| <u>Ref</u> | <u>Partnumber</u> | <u>Description</u>                 | <u>GX200</u> | <u>Serial Numbers</u> |
| 003        | 28410-ZH8-003ZB   | CASE COMP., RECOIL STARTER *NH1 *  | 1            |                       |
| 003        | 28410-ZH8-003ZB   | CASE COMP., RECOIL STARTER *NH1 *  | 1            |                       |
| 004        | 28420-ZH8-013     | REEL, RECOIL STARTER (NATURAL)     | 1            |                       |
| 005        | 28422-ZH8-013     | RATCHET, STARTER                   | 2            |                       |
| 006        | 28433-ZH8-003     | GUIDE, RATCHET                     | 1            |                       |
| 007        | 28441-ZH8-003     | SPRING, FRICTION                   | 1            |                       |
| 008        | 28442-ZH8-003     | SPRING, RECOIL STARTER             | 1            |                       |
| 009        | 28443-ZH8-003     | SPRING, RETURN                     | 2            |                       |
| 010        | 28461-ZH8-003     | GRIP, STARTER                      | 1            |                       |
| 011        | 28462-ZH8-003     | ROPE, RECOIL STARTER               | 1            |                       |
| 012        | 90003-ZH8-003     | SCREW, SETTING                     | 1            |                       |
| 013        | 95701-0601800     | BOLT, FLANGE, 6X18                 | 3            |                       |
| 013        | 95701-0601800     | BOLT, FLANGE, 6X18                 | 3            |                       |



ZL00-E1200B

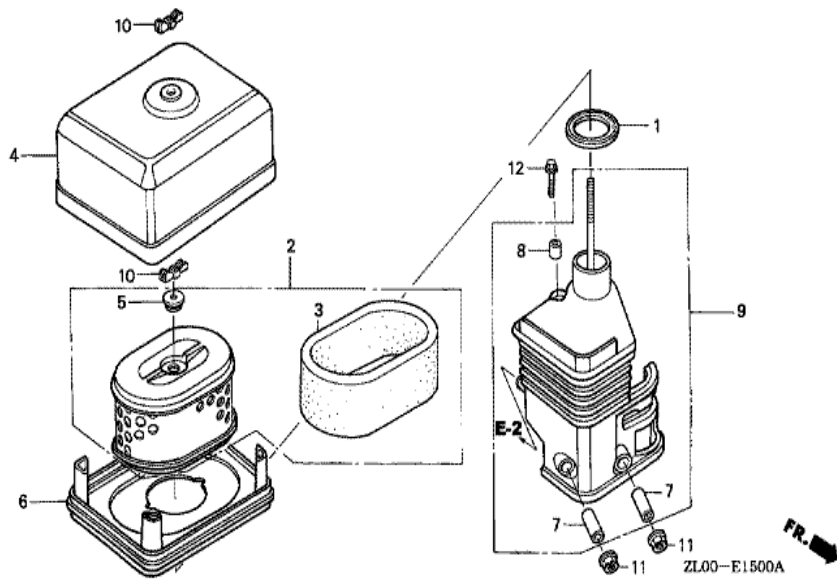
| Ref | Partnumber      | Description               | GX200 | Serial Numbers |         |
|-----|-----------------|---------------------------|-------|----------------|---------|
| 002 | 19610-ZL0-000ZA | COVER COMP., FAN *NH246 * | 1     |                |         |
| 002 | 19610-ZL0-000ZB | COVER COMP., FAN *R8 *    | 1     | 1812939        |         |
| 002 | 19610-ZL0-000ZB | COVER COMP., FAN *R8 *    | 1     | 1812939        |         |
| 002 | 19610-ZL0-000ZJ | COVER COMP., FAN *R280 *  | 1     | 1812940        |         |
| 002 | 19610-ZL0-000ZJ | COVER COMP., FAN *R280 *  | 1     | 1812940        |         |
| 003 | 19612-ZH8-810   | PLATE, SIDE (OIL ALERT)   | 1     | 1110329        |         |
| 003 | 19612-ZH8-810   | PLATE, SIDE (OIL ALERT)   | 1     | 1110329        |         |
| 003 | 19612-ZH8-811   | PLATE, SIDE (OIL ALERT)   | 1     | 1110330        |         |
| 003 | 19612-ZH8-811   | PLATE, SIDE (OIL ALERT)   | 1     | 1110330        | 1127340 |
| 003 | 19612-ZH8-812   | PLATE, SIDE (OIL ALERT)   | 1     | 1144321        | 1156170 |
| 003 | 19612-ZH8-812   | PLATE, SIDE (OIL ALERT)   | 1     | 1127341        | 1156170 |
| 004 | 19613-ZE1-000   | CLAMPER, CORD             | 1     |                |         |
| 004 | 19613-ZE1-000   | CLAMPER, CORD             | 1     | 1061455        |         |

| <u>Ref</u> | <u>Partnumber</u> | <u>Description</u>            | <u>GX200</u> | <u>Serial Numbers</u> |
|------------|-------------------|-------------------------------|--------------|-----------------------|
| 006        | 19630-ZH8-000     | SHROUD COMP.                  | 1            |                       |
| 007        | 32197-ZH8-003     | SUB HARNESS                   | 1            |                       |
| 007        | 32197-ZH8-003     | SUB HARNESS                   | 1            | 1061455               |
| 008        | 36100-ZE1-015     | SWITCH ASSY., ENGINE STOP     | 1            | 1061455               |
| 008        | 36100-ZE1-015     | SWITCH ASSY., ENGINE STOP     | 1            | 1061455               |
| 008        | 36100-ZH7-003     | SWITCH ASSY., ENGINE STOP     | 1            | 1061456               |
| 008        | 36100-ZH7-003     | SWITCH ASSY., ENGINE STOP     | 1            | 1061456               |
| 009        | 36101-ZE1-010     | CORD, STOP SWITCH (370MM)     | 1            |                       |
| 009        | 36101-ZE1-010     | CORD, STOP SWITCH (370MM)     | 1            |                       |
| 010        | 90013-883-000     | BOLT, FLANGE, 6X12 (CT200)    | 4            |                       |
| 010        | 90013-883-000     | BOLT, FLANGE, 6X12 (CT200)    | 6            |                       |
| 011        | 90022-888-010     | BOLT, FLANGE, 6X20 (CT200)    | 1            |                       |
| 013        | 90601-ZH7-013     | CLIP, HARNESS                 | 1            |                       |
| 013        | 90601-ZH7-013     | CLIP, HARNESS                 | 1            | 1061456               |
| 019        | 34150-ZH7-003     | ALERT UNIT, OIL               | 1            |                       |
| 019        | 34150-ZH7-003     | ALERT UNIT, OIL               | 1            | 1156171               |
| 021        | 95701-0600800     | BOLT, FLANGE, 6X8             | 1            |                       |
| 021        | 95701-0600800     | BOLT, FLANGE, 6X8             | 1            | 1156171               |
| 029        | 19611-ZH8-810     | PLATE COMP., SIDE (OIL ALERT) | 1            |                       |
| 029        | 19611-ZH8-810     | PLATE COMP., SIDE (OIL ALERT) | 1            | 1156171               |

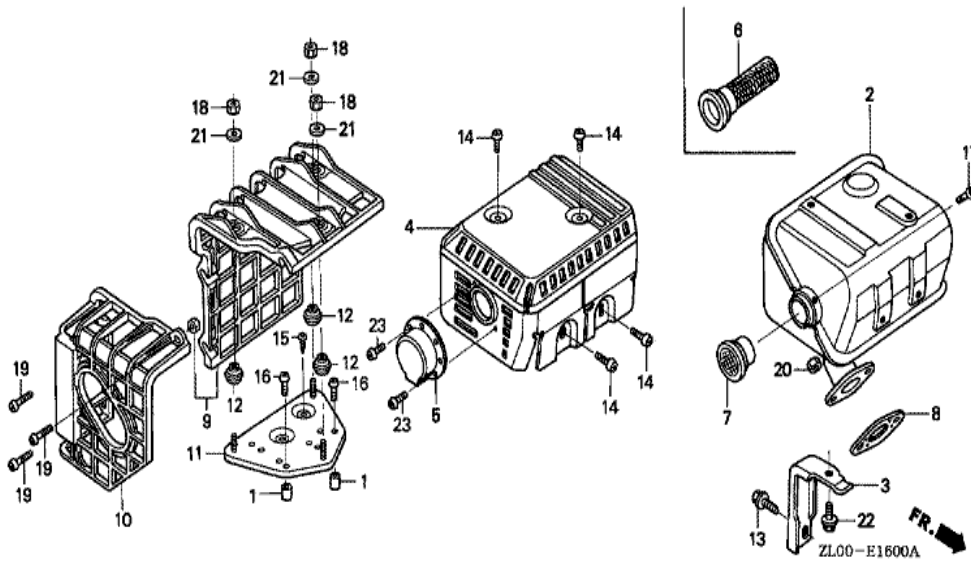


| Ref | Partnumber    | Description                | GX200 | Serial Numbers |
|-----|---------------|----------------------------|-------|----------------|
| 001 | 16010-ZE1-812 | GASKET SET                 | 1     |                |
| 001 | 16010-ZE1-812 | GASKET SET                 | 1     |                |
| 002 | 16011-ZE0-005 | VALVE SET, FLOAT           | 1     |                |
| 003 | 16013-ZE0-005 | FLOAT SET                  | 1     |                |
| 004 | 16015-ZE0-831 | CHAMBER SET, FLOAT         | 1     | BE64B B        |
| 004 | 16015-ZE1-811 | CHAMBER SET, FLOAT         | 1     | BE64B A        |
| 004 | 16015-ZE1-811 | CHAMBER SET, FLOAT         | 1     | BE64B A        |
| 006 | 16016-ZH7-W01 | SCREW SET, PILOT           | 1     |                |
| 007 | 16024-ZE1-811 | SCREW SET, DRAIN           | 1     |                |
| 008 | 16028-ZE0-005 | SCREW SET                  | 1     |                |
| 009 | 16044-ZE0-005 | CHOKE SET                  | 1     |                |
| 010 | 16100-ZL0-W50 | CARBURETOR ASSY. (BE64B A) | 1     | 1030071        |
| 010 | 16100-ZL0-W50 | CARBURETOR ASSY. (BE64B A) | 1     | 1030071        |

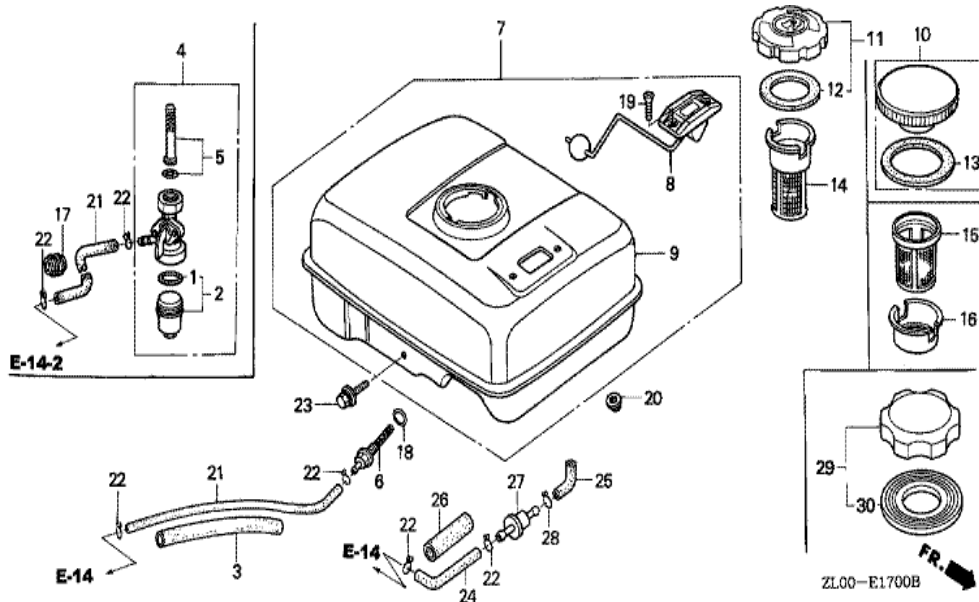
| <u>Ref</u> | <u>Partnumber</u> | <u>Description</u>           | <u>GX200</u> | <u>Serial Numbers</u> |         |
|------------|-------------------|------------------------------|--------------|-----------------------|---------|
| 010        | 16100-ZL0-W51     | CARBURETOR ASSY. (BE64B B/C) | 1            | 1267449               | 1907885 |
| 010        | 16100-ZL0-W51     | CARBURETOR ASSY. (BE64B B/C) | 1            | 1030072               |         |
| 011        | 16124-ZE0-005     | SCREW, THROTTLE STOP         | 1            |                       |         |
| 012        | 16166-ZL0-000     | NOZZLE, MAIN                 | 1            |                       |         |
| 013        | 16173-001-004     | PACKING, FUEL STRAINER CUP   | 1            |                       |         |
| 014        | 16211-ZL0-000     | INSULATOR, CARBURETOR        | 1            |                       |         |
| 015        | 16212-ZH8-800     | PACKING, INSULATOR           | 1            |                       |         |
| 016        | 16220-ZE1-020     | SPACER COMP., CARBURETOR     | 1            |                       |         |
| 016        | 16220-ZE1-020     | SPACER COMP., CARBURETOR     | 1            |                       |         |
| 017        | 16221-ZH8-801     | PACKING, CARBURETOR          | 1            |                       |         |
| 018        | 16610-ZE1-000     | LEVER COMP., CHOKE (STD.)    | 1            |                       |         |
| 019        | 16953-ZE1-811     | LEVER, COCK                  | 1            |                       |         |
| 019        | 16953-ZE1-811     | LEVER, COCK                  | 1            |                       | BE64B A |
| 019        | 16953-ZE1-812     | LEVER, COCK                  | 1            | BE64D B               |         |
| 019        | 16953-ZE1-812     | LEVER, COCK                  | 1            | BE64B B               |         |
| 020        | 16954-ZE1-811     | PLATE, LEVER SETTING         | 1            |                       |         |
| 020        | 16954-ZE1-811     | PLATE, LEVER SETTING         | 1            |                       | BE64B A |
| 020        | 16954-ZE1-812     | PLATE, LEVER SETTING         | 1            | BE64G B               |         |
| 020        | 16954-ZE1-812     | PLATE, LEVER SETTING         | 1            | BE64B B               |         |
| 021        | 16956-ZE1-811     | SPRING, COCK LEVER           | 1            |                       |         |
| 022        | 16957-ZE1-812     | PACKING, FUEL COCK           | 1            |                       |         |
| 023        | 16967-ZE0-811     | CUP, FUEL STRAINER           | 1            |                       |         |
| 024        | 93500-030061H     | SCREW, PAN, 3X6              | 2            | BE64A B               |         |
| 024        | 93500-030061H     | SCREW, PAN, 3X6              | 2            | BE64B B               |         |
| 024        | 93500-030081G     | SCREW, PAN, 3X8              | 2            |                       | BE64D A |
| 024        | 93500-030081G     | SCREW, PAN, 3X8              | 2            |                       | BE64B A |
| 025        | 94305-20122       | PIN, SPRING, 2X12            | 1            |                       |         |
| 026        | 99101-ZH80680     | JET, MAIN, #68               | (1)          |                       |         |
| 026        | 99101-ZH80680     | JET, MAIN, #68               | (1)          |                       |         |
| 026        | 99101-ZH80700     | JET, MAIN, #70               | (1)          | BE64A B               |         |
| 026        | 99101-ZH80700     | JET, MAIN, #70               | (1)          |                       |         |
| 026        | 99101-ZH80720     | JET, MAIN, #72               | 1            | BE64R B               |         |
| 026        | 99101-ZH80720     | JET, MAIN, #72               | 1            |                       |         |
| <u>Ref</u> | <u>Partnumber</u> | <u>Description</u>           | <u>GX200</u> | <u>Serial Numbers</u> |         |
| 027        | 99204-ZA00450     | JET SET, PILOT, #45          | 1            |                       |         |



| Ref | Partnumber    | Description                 | GX200 | Serial Numbers |
|-----|---------------|-----------------------------|-------|----------------|
| 001 | 16271-ZE1-000 | PACKING, ELBOW              | 1     |                |
| 002 | 17210-ZE1-822 | ELEMENT, AIR CLEANER (DUAL) | 1     |                |
| 003 | 17218-ZE1-821 | FILTER, OUTER               | 1     |                |
| 004 | 17230-ZE1-820 | COVER, AIR CLEANER (DUAL)   | 1     |                |
| 005 | 17232-891-000 | GROMMET, AIR CLEANER        | 1     |                |
| 006 | 17235-ZE1-831 | NOSE, SILENCER              | 1     |                |
| 007 | 17238-ZE7-010 | COLLAR, AIR CLEANER         | 2     |                |
| 008 | 17239-ZE1-000 | COLLAR B, AIR CLEANER       | 1     |                |
| 009 | 17410-ZE1-020 | ELBOW COMP., AIR CLEANER    | 1     |                |
| 010 | 90325-044-000 | NUT, TOOL BOX SETTING       | 2     |                |
| 011 | 94050-06000   | NUT, FLANGE, 6MM            | 2     |                |
| 012 | 95701-0602000 | BOLT, FLANGE, 6X20          | 1     |                |

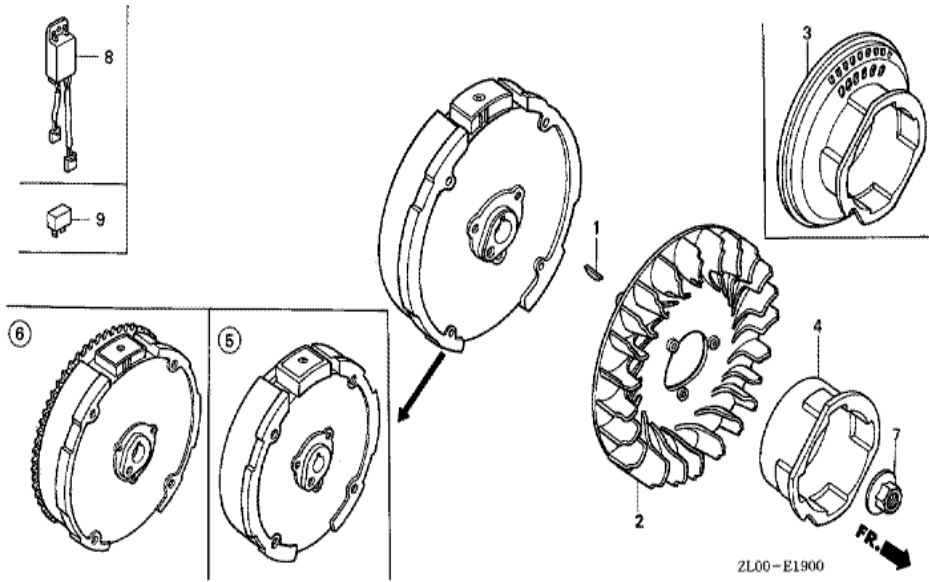


| Ref | Partnumber    | Description                 | GX200 | Serial Numbers |
|-----|---------------|-----------------------------|-------|----------------|
| 002 | 18310-ZL0-000 | MUFFLER COMP.               | 1     |                |
| 003 | 18315-ZE1-000 | STAY, MUFFLER               | 1     |                |
| 004 | 18320-ZF1-H51 | PROTECTOR, MUFFLER (SILENT) | 1     |                |
| 006 | 18355-ZL0-000 | ARRESTER, SPARK             | 1     |                |
| 006 | 18355-ZL0-000 | ARRESTER, SPARK             | (1)   |                |
| 007 | 18361-ZL0-000 | NETTING, WIRE FLANGE        | 1     |                |
| 008 | 18381-ZH8-800 | GASKET, MUFFLER             | 1     |                |
| 013 | 90016-ZE1-000 | BOLT, FLANGE, 6X13 (CT200)  | 1     |                |
| 014 | 90050-ZE1-000 | SCREW, TAPPING, 5X8         | 4     |                |
| 017 | 90056-ZL0-000 | SCREW, TAPPING, 4X6         | 1     |                |
| 017 | 90056-ZL0-000 | SCREW, TAPPING, 4X6         | 1     |                |
| 020 | 94001-080000S | NUT, HEX., 8MM              | 2     |                |
| 022 | 95701-0601200 | BOLT, FLANGE, 6X12          | 1     |                |



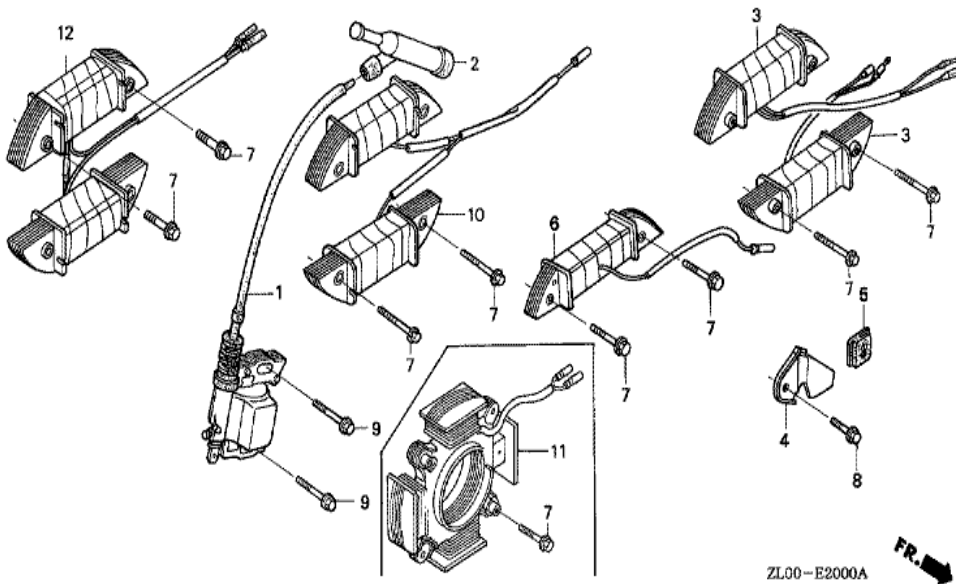
| Ref | Partnumber      | Description                              | GX200 | Serial Numbers |
|-----|-----------------|--|-------|----------------|
| 003 | 16854-ZH8-000   | RUBBER, SUPPORTER (107MM)                | 1     |                |
| 006 | 16955-ZE1-000   | JOINT, FUEL TANK                         | 1     |                |
| 009 | 17510-ZE1-020ZA | TANK COMP., FUEL *NH31 *                 | 1     |                |
| 009 | 17510-ZE1-020ZF | TANK COMP., FUEL *NH1 *                  | 1     |                |
| 009 | 17510-ZE1-020ZF | TANK COMP., FUEL *NH1 *                  | 1     |                |
| 011 | 17620-ZH7-023   | CAP COMP., FUEL FILLER (BLACK)           | 1     |                |
| 011 | 17620-ZH7-023   | CAP COMP., FUEL FILLER (BLACK)           | 1     | 1849430        |
| 012 | 17631-ZH7-003   | PACKING, FUEL FILLER CAP (39X58X3)       | 1     |                |
| 012 | 17631-ZH7-003   | PACKING, FUEL FILLER CAP (39X58X3)       | 1     | 1849430        |
| 018 | 91353-671-004   | O-RING, 14MM (NOK)                       | 1     |                |
| 020 | 94050-06000     | NUT, FLANGE, 6MM                         | 2     |                |
| 021 | 95001-4514040   | TUBE, FUEL, 4.5X140 (95001-45001-60M)    | 1     |                |
| 021 | 95001-4514040   | TUBE, FUEL, 4.5X140 (95001-45001-60M)    | 1     | 1044774        |
| Ref | Partnumber      | Description                              | GX200 | Serial Numbers |
| 022 | 95002-02080     | CLIP, TUBE (B8)                          | 2     |                |
| 023 | 90004-ZL0-003   | BOLT, FLANGE, 6X34                       | 1     |                |
| 029 | 17620-Z0T-305   | CAP COMP., FUEL FILLER (CHROME PLATED)   | 1     | 1849431        |
| 029 | 17620-Z0T-305   | CAP COMP., FUEL FILLER (CHROME PLATED)   | 1     | 1849431        |
| 030 | 17631-Z0T-812   | PACKING, FUEL FILLER CAP (39X62X3) (TOUY | 1     | 1849431        |



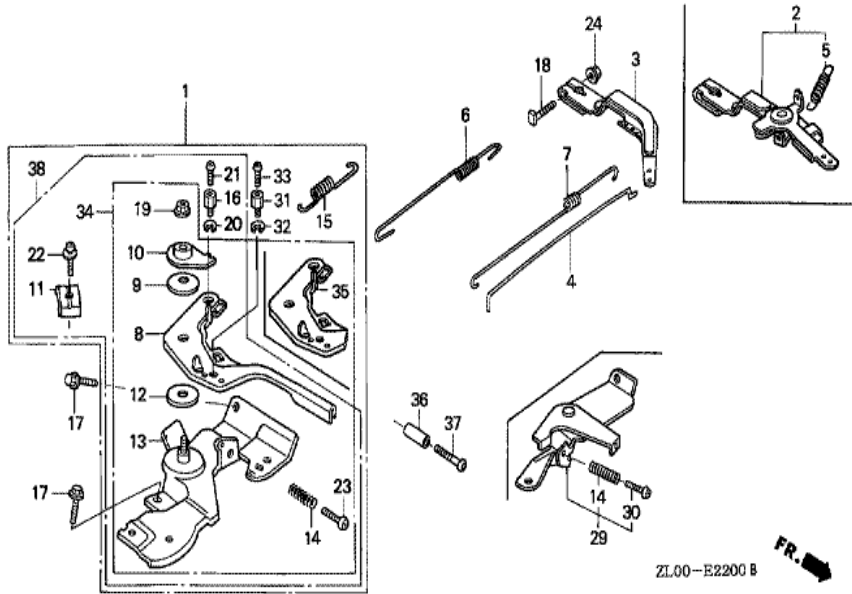


| <u>Ref</u> | <u>Partnumber</u> | <u>Description</u>           | <u>GX200</u> | <u>Serial Numbers</u> |
|------------|-------------------|------------------------------|--------------|-----------------------|
| 001        | 13331-357-000     | KEY, SPECIAL WOODRUFF, 25X18 | 1            |                       |
| 002        | 19511-ZE1-000     | FAN, COOLING                 | 1            |                       |
| 004        | 28451-ZL0-000     | PULLEY, STARTER              | 1            |                       |
| 004        | 28451-ZL0-000     | PULLEY, STARTER              | 1            |                       |
| 005        | 31100-ZE7-010     | FLYWHEEL COMP. (STD.)        | 1            |                       |
| 005        | 31100-ZE7-010     | FLYWHEEL COMP. (STD.)        | 1            |                       |
| 007        | 90201-878-003     | NUT, SPECIAL, 14MM           | 1            |                       |

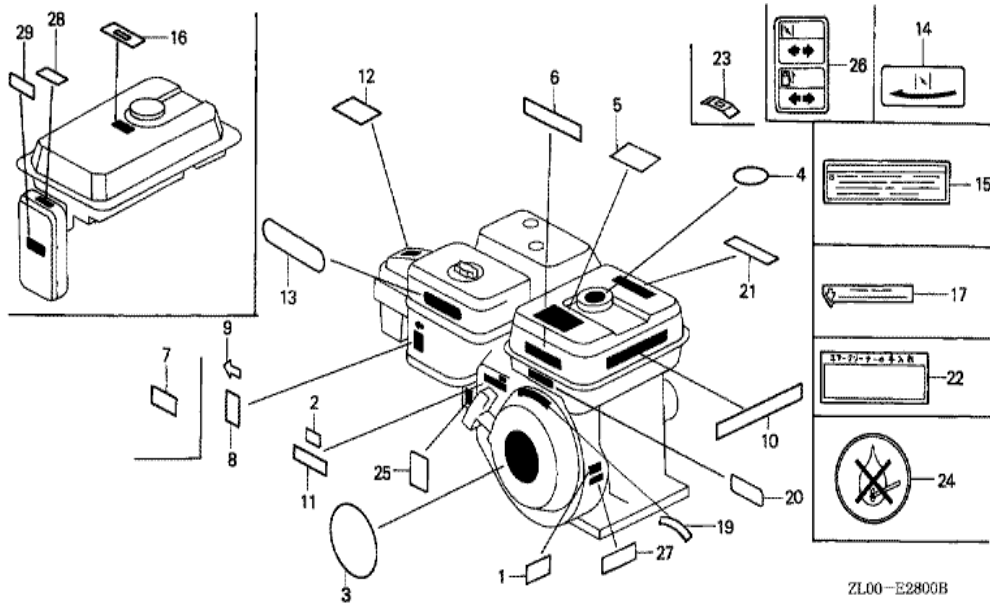




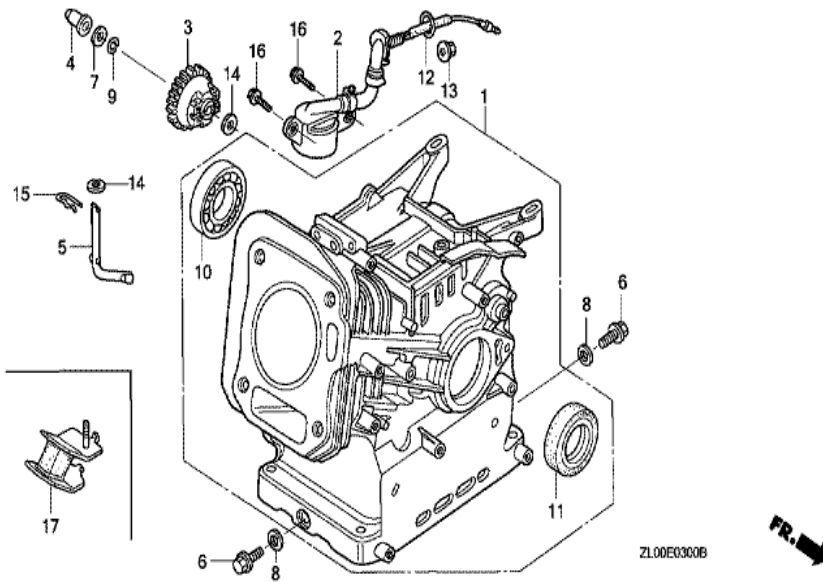
| Ref | Partnumber    | Description                              | GX200 | Serial Numbers |
|-----|---------------|--|-------|----------------|
| 001 | 30500-ZE1-033 | COIL ASSY., IGNITION                     | 1     |                |
| 001 | 30500-ZE1-033 | COIL ASSY., IGNITION                     | 1     | 1741677        |
| 001 | 30500-ZE1-043 | COIL ASSY., IGNITION                     | 1     | 1741678        |
| 001 | 30500-ZE1-043 | COIL ASSY., IGNITION                     | 1     | 1741678        |
| 002 | 30700-ZE1-013 | CAP ASSY., NOISE SUPPRESSOR (NICHIWA Y-E | 1     |                |
| 002 | 30700-ZE1-013 | CAP ASSY., NOISE SUPPRESSOR (NICHIWA Y-E | 1     |                |
| 009 | 90121-952-000 | BOLT, FLANGE, 6X25 (CT200)               | 2     |                |



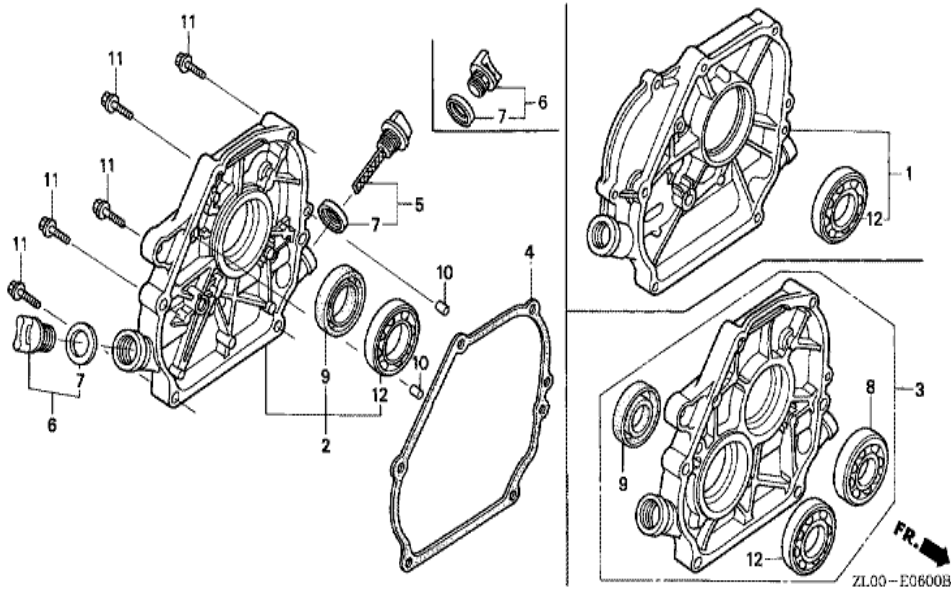
| Ref | Partnumber    | Description                | GX200 | Serial Numbers  |
|-----|---------------|----------------------------|-------|-----------------|
| 003 | 16551-ZL0-000 | ARM, GOVERNOR              | 1     |                 |
| 004 | 16555-ZE1-000 | ROD, GOVERNOR              | 1     |                 |
| 006 | 16561-ZL0-000 | SPRING, GOVERNOR           | 1     |                 |
| 007 | 16562-ZE1-020 | SPRING, THROTTLE RETURN    | 1     |                 |
| 008 | 16571-ZH8-000 | LEVER, CONTROL             | 1     |                 |
| 008 | 16571-ZH8-000 | LEVER, CONTROL             | 1     | 1180377         |
| 008 | 16571-ZH8-010 | LEVER, CONTROL             | 1     | 1180378 1288719 |
| 008 | 16571-ZH8-010 | LEVER, CONTROL             | 1     | 1180378 1288955 |
| 008 | 16571-ZH8-020 | LEVER, CONTROL             | 1     | 1288956         |
| 008 | 16571-ZH8-020 | LEVER, CONTROL             | 1     | 1288956         |
| 009 | 16574-ZE1-000 | SPRING, LEVER              | 1     |                 |
| 010 | 16575-ZH8-000 | WASHER, CONTROL LEVER      | 1     |                 |
| 012 | 16578-ZE1-000 | SPACER, CONTROL LEVER      | 1     |                 |
| Ref | Partnumber    | Description                | GX200 | Serial Numbers  |
| 013 | 16580-ZH8-010 | BASE COMP., CONTROL        | 1     | 1180377         |
| 013 | 16580-ZH8-020 | BASE COMP., CONTROL        | 1     | 1180378 1288955 |
| 013 | 16580-ZH8-020 | BASE COMP., CONTROL        | 1     | 1180378 1288955 |
| 013 | 16580-ZH8-030 | BASE COMP., CONTROL        | 1     | 1288956         |
| 013 | 16580-ZH8-030 | BASE COMP., CONTROL        | 1     | 1288956         |
| 014 | 16584-883-300 | SPRING, CONTROL ADJUSTING  | 1     |                 |
| 017 | 90013-883-000 | BOLT, FLANGE, 6X12 (CT200) | 2     |                 |
| 018 | 90015-ZE5-010 | BOLT, GOVERNOR ARM         | 1     |                 |
| 019 | 90114-SA0-000 | NUT, SELF-LOCK, 6MM        | 1     |                 |
| 023 | 93500-050250A | SCREW, PAN, 5X25           | 1     |                 |
| 023 | 93500-050250A | SCREW, PAN, 5X25           | 1     |                 |
| 024 | 94050-06000   | NUT, FLANGE, 6MM           | 1     |                 |
| 034 | 16500-ZH8-010 | CONTROL ASSY. (STD.)       | 1     |                 |
| 034 | 16500-ZH8-010 | CONTROL ASSY. (STD.)       | 1     | 1180377         |
| 034 | 16500-ZH8-020 | CONTROL ASSY.              | 1     | 1180378 1288955 |
| 034 | 16500-ZH8-020 | CONTROL ASSY.              | 1     | 1180378 1288955 |
| 034 | 16500-ZH8-030 | CONTROL ASSY.              | 1     | 1288956         |
| 034 | 16500-ZH8-030 | CONTROL ASSY.              | 1     | 1288956         |



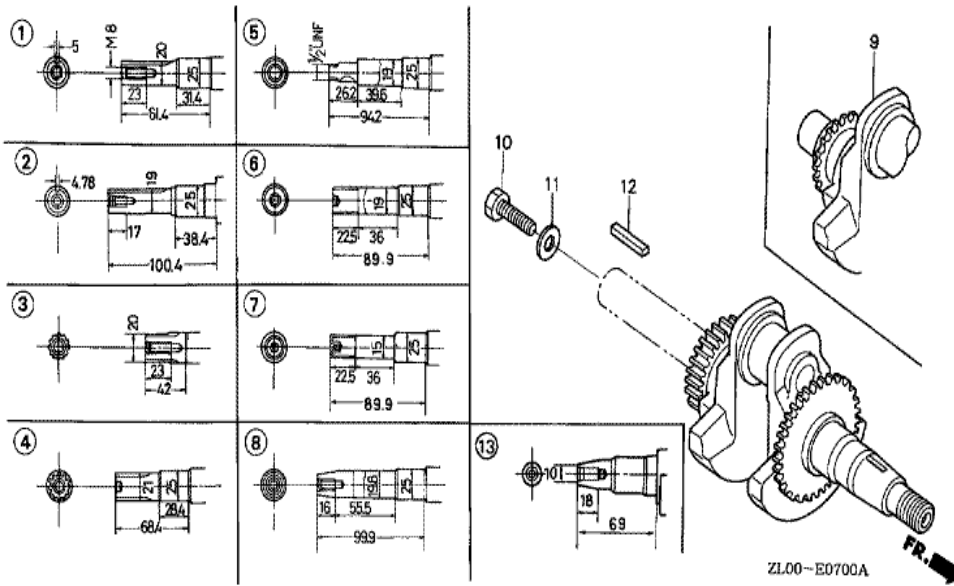
| Ref | Partnumber    | Description                    | GX200 | Serial Numbers |
|-----|---------------|--------------------------------|-------|----------------|
| 003 | 87521-ZL0-000 | EMBLEM                         | 1     |                |
| 003 | 87521-ZL0-000 | EMBLEM                         | 1     |                |
| 006 | 87522-ZH9-010 | LABEL, CAUTION (ENGLISH, ETC.) | 1     |                |
| 006 | 87522-ZH9-010 | LABEL, CAUTION (ENGLISH, ETC.) | 1     |                |
| 008 | 87528-ZE1-810 | MARK, CHOKE                    | 1     |                |
| 008 | 87528-ZE1-810 | MARK, CHOKE                    | 1     |                |
| 010 | 87532-ZB4-G60 | MARK, OIL ALERT (GERMAN)       | 1     |                |
| 010 | 87532-ZB4-H50 | MARK, OIL ALERT (FRENCH)       | 1     | 1144320        |
| 010 | 87532-ZB4-H50 | MARK, OIL ALERT (FRENCH)       | 1     |                |
| 010 | 87532-ZH8-810 | MARK, OIL ALERT (ENGLISH)      | 1     |                |
| 010 | 87532-ZH8-810 | MARK, OIL ALERT (ENGLISH)      | 1     |                |



| <u>Ref</u> | <u>Partnumber</u> | <u>Description</u>                   | <u>GX200</u> | <u>Serial Numbers</u> |
|------------|-------------------|--------------------------------------|--------------|-----------------------|
| 001        | 12000-ZL0-407     | BARREL ASSY., CYLINDER               | 1            | 1853341               |
| 001        | 12000-ZL0-407     | BARREL ASSY., CYLINDER               | 1            | 1853341               |
| 001        | 12000-ZL0-417     | BARREL ASSY., CYLINDER               | 1            | 1853342               |
| 001        | 12000-ZL0-417     | BARREL ASSY., CYLINDER               | 1            | 1853342               |
| 002        | 15510-ZE1-033     | SWITCH ASSY., OIL LEVEL              | 1            |                       |
| 003        | 16506-ZL0-000     | GOVERNOR ASSY.                       | 1            |                       |
| 004        | 16531-ZE1-000     | SLIDER, GOVERNOR                     | 1            |                       |
| 005        | 16541-ZE1-000     | SHAFT, GOVERNOR ARM                  | 1            |                       |
| 006        | 90131-ZE1-000     | BOLT, DRAIN PLUG                     | 2            |                       |
| 007        | 90451-ZE1-000     | WASHER, THRUST, 6MM                  | 1            |                       |
| 008        | 90601-ZE1-000     | WASHER, DRAIN PLUG, 10.2MM           | 2            |                       |
| 009        | 90602-ZE1-000     | CLIP, GOVERNOR HOLDER                | 1            |                       |
| 010        | 91001-ZF1-003     | BEARING, RADIAL BALL (6205TMB) (NTN) | 1            |                       |
| <u>Ref</u> | <u>Partnumber</u> | <u>Description</u>                   | <u>GX200</u> | <u>Serial Numbers</u> |
| 010        | 91001-ZF1-004     | BEARING, RADIAL BALL (6205SH) (KOYO) | 1            |                       |
| 010        | 91001-ZF1-004     | BEARING, RADIAL BALL (6205SH) (KOYO) | 1            |                       |
| 011        | 91201-ZOT-801     | OIL SEAL, 25X41X6                    | 1            | 1853342               |
| 011        | 91201-ZOT-801     | OIL SEAL, 25X41X6                    | 1            | 1853342               |
| 011        | 91202-883-005     | OIL SEAL, 25X41X6                    | 1            | 1853341               |
| 011        | 91202-883-005     | OIL SEAL, 25X41X6                    | 1            | 1853341               |
| 012        | 91353-671-004     | O-RING, 14MM (NOK)                   | 1            |                       |
| 013        | 94050-10000       | NUT, FLANGE, 10MM                    | 1            |                       |
| 014        | 94101-06800       | WASHER, PLAIN, 6MM                   | 2            |                       |
| 015        | 94251-08000       | PIN, LOCK, 8MM                       | 1            |                       |
| 016        | 95701-0601200     | BOLT, FLANGE, 6X12                   | 2            |                       |

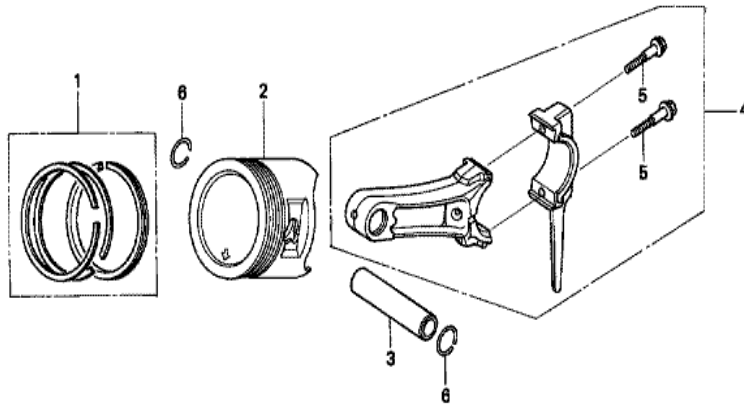


| <u>Ref</u> | <u>Partnumber</u> | <u>Description</u>                 | <u>GX200</u> | <u>Serial Numbers</u> |
|------------|-------------------|------------------------------------|--------------|-----------------------|
| 002        | 11300-ZE1-641     | COVER ASSY., CRANKCASE             | 1            | 1854346               |
| 002        | 11300-ZE1-641     | COVER ASSY., CRANKCASE             | 1            | 1854346               |
| 002        | 11300-ZE1-642     | COVER ASSY., CRANKCASE             | 1            | 1856156               |
| 002        | 11300-ZE1-642     | COVER ASSY., CRANKCASE             | 1            | 1854347               |
| 004        | 11381-ZH8-801     | PACKING, CASE COVER (NON ASBESTOS) | 1            | 1002376               |
| 004        | 11381-ZH8-801     | PACKING, CASE COVER (NON ASBESTOS) | 1            | 1002566               |
| 004        | 11381-ZL0-000     | PACKING, CASE COVER                | 1            |                       |
| 004        | 11381-ZL0-000     | PACKING, CASE COVER                | 1            | 1002567               |
| 005        | 15600-ZE1-003     | CAP ASSY., OIL FILLER (GRAY)       | 1            |                       |
| 006        | 15600-ZG4-003     | CAP ASSY., OIL FILLER              | 1            |                       |
| 007        | 15625-ZE1-003     | PACKING, OIL FILLER CAP            | 2            |                       |
| 009        | 91201-ZOT-801     | OIL SEAL, 25X41X6                  | 1            | 1854327               |
| 009        | 91201-ZOT-801     | OIL SEAL, 25X41X6                  | 1            | 1854347               |
| <u>Ref</u> | <u>Partnumber</u> | <u>Description</u>                 | <u>GX200</u> | <u>Serial Numbers</u> |
| 009        | 91202-883-005     | OIL SEAL, 25X41X6                  | 1            | 1854346               |
| 009        | 91202-883-005     | OIL SEAL, 25X41X6                  | 1            | 1854346               |
| 010        | 94301-08140       | DOWEL PIN, 8X14                    | 2            |                       |
| 011        | 95701-0803200     | BOLT, FLANGE, 8X32                 | 6            |                       |
| 011        | 95701-0803200     | BOLT, FLANGE, 8X32                 | 6            |                       |
| 012        | 96100-6205000     | BEARING, RADIAL BALL, 6205         | 1            |                       |



| Ref | Partnumber    | Description      | GX200 | Serial Numbers |
|-----|---------------|------------------|-------|----------------|
| 008 | 13310-ZL0-670 | CRANKSHAFT COMP. | 1     |                |
| 008 | 13310-ZL0-670 | CRANKSHAFT COMP. | 1     | 1851599        |
| 008 | 13310-ZL0-671 | CRANKSHAFT COMP. | 1     | 1851600        |
| 008 | 13310-ZL0-671 | CRANKSHAFT COMP. | 1     | 1851600        |

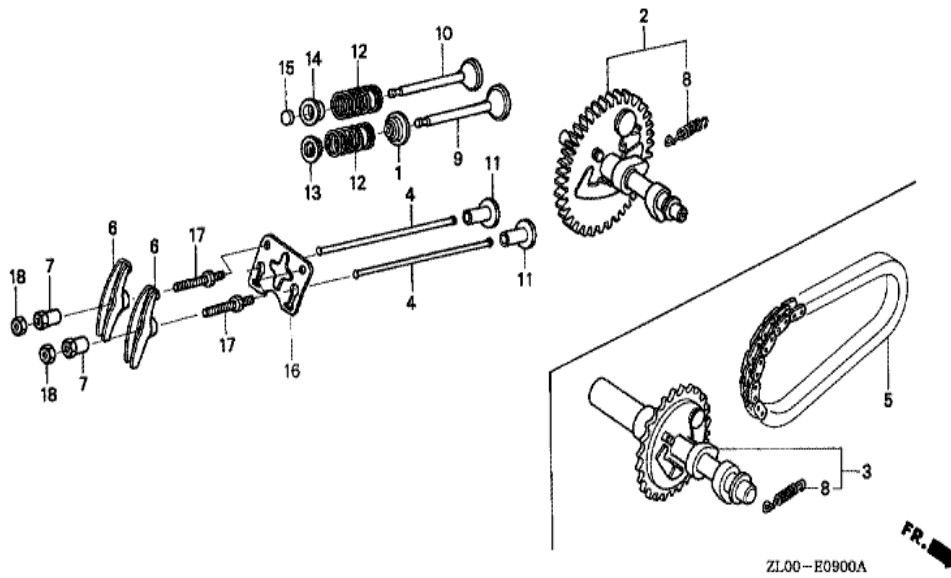




ZL00-E0800A



| <u>Ref</u> | <u>Partnumber</u> | <u>Description</u>                      | <u>GX200</u> | <u>Serial Numbers</u> |
|------------|-------------------|---|--------------|-----------------------|
| 001        | 13010-ZL0-003     | RING SET, PISTON (STD.) (TEIKOKU)       | 1            |                       |
| 001        | 13010-ZL0-004     | RING SET, PISTON (STD.) (NIPPON)        | 1            |                       |
| 001        | 13010-ZL0-004     | RING SET, PISTON (STD.) (NIPPON)        | 1            |                       |
| 001        | 13011-ZL0-003     | RING SET, PISTON (0.25) (TEIKOKU)       | (1)          |                       |
| 001        | 13011-ZL0-003     | RING SET, PISTON (0.25) (TEIKOKU)       | (1)          |                       |
| 001        | 13011-ZL0-004     | RING SET, PISTON (0.25) (NIPPON)        | (1)          |                       |
| 001        | 13011-ZL0-004     | RING SET, PISTON (0.25) (NIPPON)        | (1)          |                       |
| 001        | 13012-ZL0-003     | RING SET, PISTON (0.50) (TEIKOKU)       | (1)          |                       |
| 001        | 13012-ZL0-003     | RING SET, PISTON (0.50) (TEIKOKU)       | (1)          |                       |
| 001        | 13012-ZL0-004     | RING SET, PISTON (0.50) (NIPPON)        | (1)          |                       |
| 001        | 13012-ZL0-004     | RING SET, PISTON (0.50) (NIPPON)        | (1)          |                       |
| 001        | 13013-ZL0-003     | RING SET, PISTON (0.75) (TEIKOKU)       | (1)          |                       |
| 001        | 13013-ZL0-003     | RING SET, PISTON (0.75) (TEIKOKU)       | (1)          |                       |
| <u>Ref</u> | <u>Partnumber</u> | <u>Description</u>                      | <u>GX200</u> | <u>Serial Numbers</u> |
| 001        | 13013-ZL0-004     | RING SET, PISTON (0.75) (NIPPON)        | (1)          |                       |
| 001        | 13013-ZL0-004     | RING SET, PISTON (0.75) (NIPPON)        | (1)          |                       |
| 002        | 13101-ZL0-010     | PISTON (STD.)                           | 1            |                       |
| 002        | 13102-ZL0-010     | PISTON (0.25)                           | (1)          |                       |
| 002        | 13102-ZL0-010     | PISTON (0.25)                           | (1)          |                       |
| 002        | 13103-ZL0-010     | PISTON (0.50)                           | (1)          |                       |
| 002        | 13103-ZL0-010     | PISTON (0.50)                           | (1)          |                       |
| 002        | 13104-ZL0-010     | PISTON (0.75)                           | (1)          |                       |
| 002        | 13104-ZL0-010     | PISTON (0.75)                           | (1)          |                       |
| 003        | 13111-ZE1-000     | PIN, PISTON                             | 1            |                       |
| 004        | 13200-ZE1-010     | ROD ASSY., CONNECTING (STD.)            | 1            |                       |
| 004        | 132A0-ZE1-000     | ROD ASSY., CONNECTING (0.25 UNDER SIZE) | (1)          |                       |
| 005        | 90001-ZE1-000     | BOLT, CONNECTING ROD                    | 2            |                       |
| 006        | 90551-ZE1-000     | CLIP, PISTON PIN, 18MM                  | 2            |                       |



| <u>Ref</u> | <u>Partnumber</u> | <u>Description</u>         | <u>GX200</u> | <u>Serial Numbers</u> |
|------------|-------------------|----------------------------|--------------|-----------------------|
| 001        | 12209-ZH8-003     | SEAL, VALVE STEM           | 1            | 1000128               |
| 001        | 12209-ZH8-003     | SEAL, VALVE STEM           | 1            | 1646761               |
| 001        | 12209-ZL0-003     | SEAL, VALVE STEM           | 1            | 1646760               |
| 001        | 12209-ZL0-003     | SEAL, VALVE STEM           | 1            | 1646760               |
| 002        | 14100-ZL0-000     | CAMSHAFT ASSY.             | 1            |                       |
| 004        | 14410-ZE1-010     | ROD, PUSH                  | 2            |                       |
| 006        | 14431-ZE1-000     | ARM, VALVE ROCKER          | 2            |                       |
| 007        | 14451-ZE1-013     | PIVOT, ROCKER ARM          | 2            |                       |
| 008        | 14568-ZE1-000     | SPRING, WEIGHT RETURN      | 1            |                       |
| 009        | 14711-ZF1-000     | VALVE, IN.                 | 1            |                       |
| 010        | 14721-ZF1-000     | VALVE, EX.                 | 1            |                       |
| 010        | 14721-ZF1-000     | VALVE, EX.                 | 1            |                       |
| 011        | 14731-ZL0-000     | LIFTER, VALVE              | 2            |                       |
| <u>Ref</u> | <u>Partnumber</u> | <u>Description</u>         | <u>GX200</u> | <u>Serial Numbers</u> |
| 012        | 14751-ZF1-000     | SPRING, VALVE              | 2            |                       |
| 012        | 14751-ZF1-000     | SPRING, VALVE              | 2            |                       |
| 013        | 14771-ZE1-000     | RETAINER, IN. VALVE SPRING | 1            |                       |
| 014        | 14773-ZE1-000     | RETAINER, EX. VALVE SPRING | 1            |                       |
| 014        | 14773-ZE1-000     | RETAINER, EX. VALVE SPRING | 1            |                       |
| 015        | 14781-ZE1-000     | ROTATOR, VALVE             | 1            |                       |
| 016        | 14791-ZE1-010     | PLATE, PUSH ROD GUIDE      | 1            |                       |
| 017        | 90012-ZE0-010     | BOLT, PIVOT, 8MM           | 2            |                       |
| 018        | 90206-ZE1-000     | NUT, PIVOT ADJUSTING       | 2            |                       |



HENG-X0003

| <u>Ref</u> | <u>Partnumber</u> | <u>Description</u> | <u>GX200</u> | <u>Serial Numbers</u> |
|------------|-------------------|--------------------|--------------|-----------------------|
| 001        | 06111-ZLO-000     | GASKET KIT         | 1            |                       |