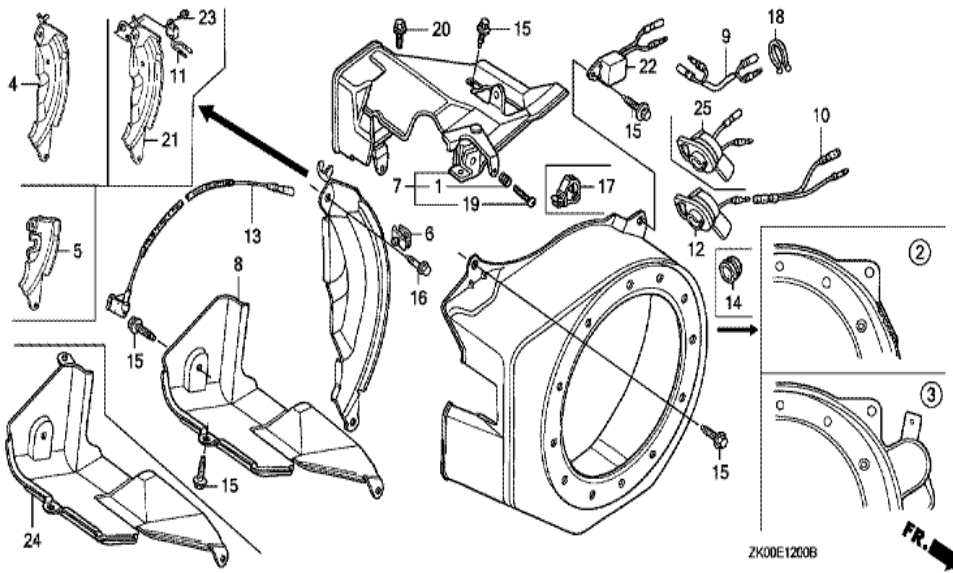
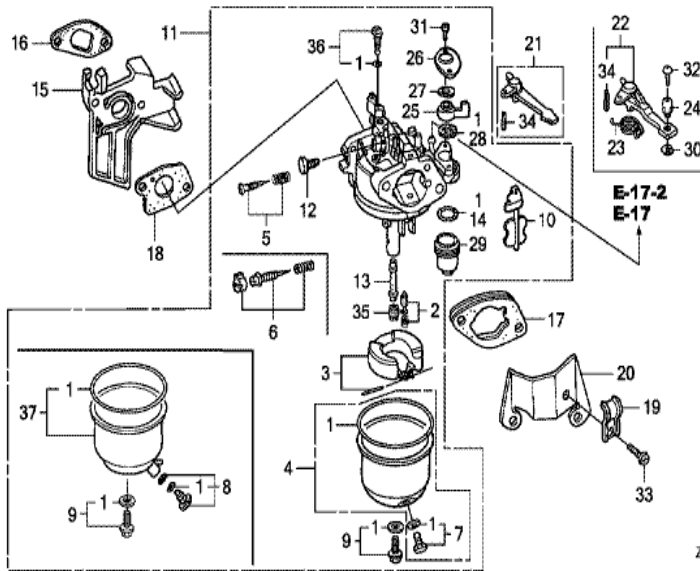


<u>Ref</u>	<u>Partnumber</u>	<u>Description</u>	<u>GX200</u>	<u>Serial Numbers</u>
001	28400-ZOT-003ZB	STARTER ASSY., RECOIL *R280*	1	2428706
001	28400-ZH8-023YA	STARTER ASSY., RECOIL *R280 *	1	2363502
001	28400-ZH8-033YA	STARTER ASSY., RECOIL *R280*	1	2363503 2428705
002	28405-ZL0-000ZD	SPACER, RECOIL STARTER MOUNTING *	1	1937023
002	28405-ZL0-000ZD	SPACER, RECOIL STARTER MOUNTING *	1	
003	28410-ZH8-003YA	CASE COMP., RECOIL STARTER *R280 *	1	
004	28421-ZOT-003	REEL, RECOIL STARTER	1	2428706
004	28421-ZH8-801	REEL, RECOIL STARTER (BLACK)	1	2428705
005	28422-ZH8-801	RATCHET, STARTER	2	
006	28431-ZH8-801	PLATE, FRICTION	1	
007	28433-ZH8-801	GUIDE, RATCHET	1	
008	28441-ZH8-801	SPRING, FRICTION	1	
009	28442-ZH8-003	SPRING, RECOIL STARTER	1	
<u>Ref</u>	<u>Partnumber</u>	<u>Description</u>	<u>GX200</u>	<u>Serial Numbers</u>
010	28443-ZH8-801	SPRING, RETURN	2	
011	28461-ZH8-003	GRIP, STARTER	1	2363502
011	28461-ZH8-013	KNOB, RECOIL STARTER	1	2363503
012	28462-ZH8-003	ROPE, RECOIL STARTER	1	
013	90003-ZH8-801	SCREW, SETTING	1	
014	95701-0601800	BOLT, FLANGE, 6X18	3	1937023
014	95701-0601800	BOLT, FLANGE, 6X18	3	



<u>Ref</u>	<u>Partnumber</u>	<u>Description</u>	<u>GX200</u>	<u>Serial Numbers</u>
002	19610-ZL0-000ZJ	COVER COMP., FAN *R280 *	1	
002	19610-ZL0-000ZJ	COVER COMP., FAN *R280 *	1	
008	19630-ZH8-000	SHROUD COMP.	1	
011	34150-ZH7-013	ALERT UNIT, OIL	1	2222938
011	34150-ZH7-013	ALERT UNIT, OIL	1	
013	36101-ZE1-010	CORD, STOP SWITCH (370MM)	1	
013	36101-ZE1-010	CORD, STOP SWITCH (370MM)	1	
014	81329-567-020	GROMMET, DRAIN HOLE	1	
015	90013-883-000	BOLT, FLANGE, 6X12 (CT200)	4	
015	90013-883-000	BOLT, FLANGE, 6X12 (CT200)	6	
016	90022-888-010	BOLT, FLANGE, 6X20 (CT200)	1	
017	90601-ZH7-013	CLIP, HARNESS	1	
021	19611-ZH8-810	PLATE COMP., SIDE (OIL ALERT)	1	
<u>Ref</u>	<u>Partnumber</u>	<u>Description</u>	<u>GX200</u>	<u>Serial Numbers</u>
023	95701-0600800	BOLT, FLANGE, 6X8	1	

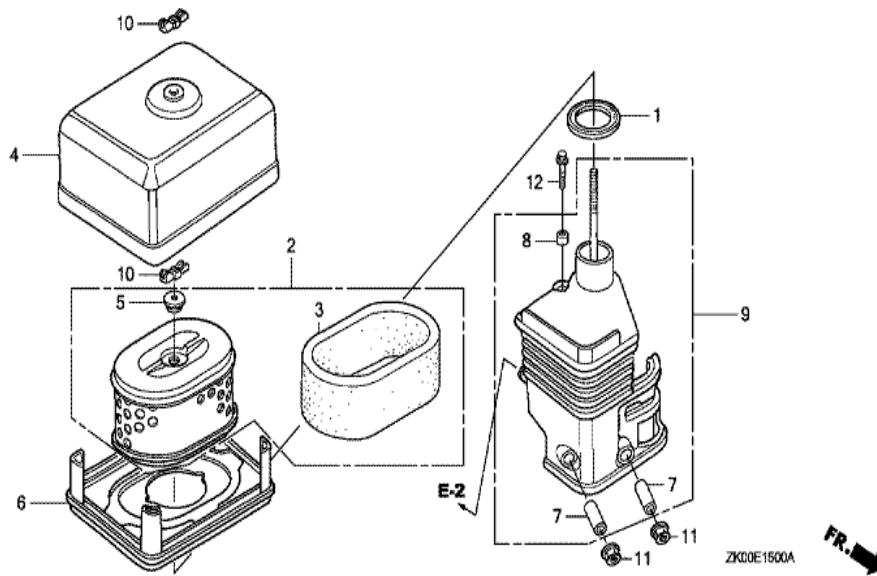


ZK00E1400B

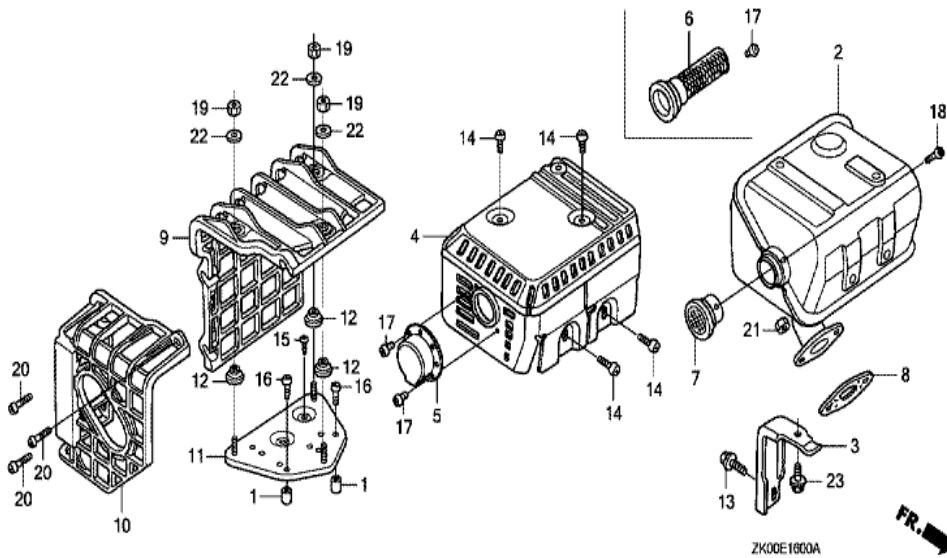
FR. →

Ref	Partnumber	Description	GX200	Serial Numbers
001	16010-ZE1-812	GASKET SET	1	
001	16010-ZE1-812	GASKET SET	1	
002	16011-ZE0-005	VALVE SET, FLOAT	1	
003	16013-ZE0-005	FLOAT SET	1	
004	16015-ZE0-831	CHAMBER SET, FLOAT	1	
006	16016-ZH7-W01	SCREW SET, PILOT	1	
007	16024-ZE1-811	SCREW SET, DRAIN	1	
009	16028-ZE0-005	SCREW SET	1	
010	16044-ZE0-005	CHOKE SET	1	
011	16100-ZL0-W51	CARBURETOR ASSY. (BE64B B/C)	1	1907865
011	16100-ZL0-W51	CARBURETOR ASSY. (BE64B B/C)	1	
012	16124-ZE0-005	SCREW, THROTTLE STOP	1	
013	16166-ZL0-000	NOZZLE, MAIN	1	

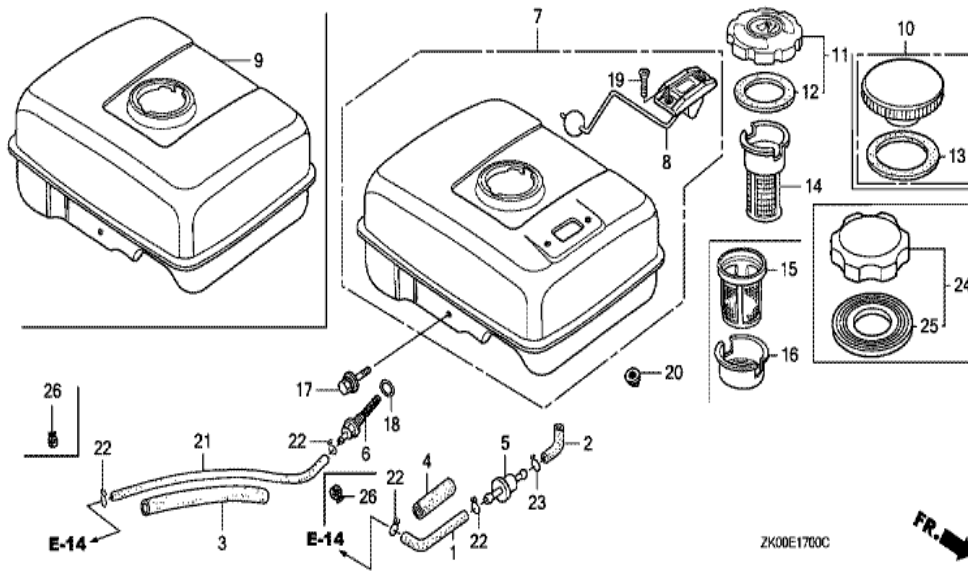
<u>Ref</u>	<u>Partnumber</u>	<u>Description</u>	<u>GX200</u>	<u>Serial Numbers</u>
014	16173-001-004	PACKING, FUEL STRAINER CUP	1	
015	16211-ZL0-000	INSULATOR, CARBURETOR	1	
016	16212-ZH8-800	PACKING, INSULATOR	1	
017	16220-ZE1-020	SPACER COMP., CARBURETOR	1	
017	16220-ZE1-020	SPACER COMP., CARBURETOR	1	
018	16221-ZH8-801	PACKING, CARBURETOR	1	
021	16610-ZE1-000	LEVER COMP., CHOKE (STD.)	1	
025	16953-ZE1-812	LEVER, COCK	1	
026	16954-ZE1-812	PLATE, LEVER SETTING	1	
027	16956-ZE1-811	SPRING, COCK LEVER	1	
028	16957-ZE1-812	PACKING, FUEL COCK	1	
029	16967-ZE0-811	CUP, FUEL STRAINER	1	
031	93500-030061H	SCREW, PAN, 3X6	2	
034	94305-20122	PIN, SPRING, 2X12	1	
035	99101-ZH80680	JET, MAIN, #68	(1)	
035	99101-ZH80700	JET, MAIN, #70	(1)	
035	99101-ZH80700	JET, MAIN, #70	(1)	
035	99101-ZH80720	JET, MAIN, #72	(1)	
035	99101-ZH80720	JET, MAIN, #72	1	
036	99204-ZA00450	JET SET, PILOT, #45	1	



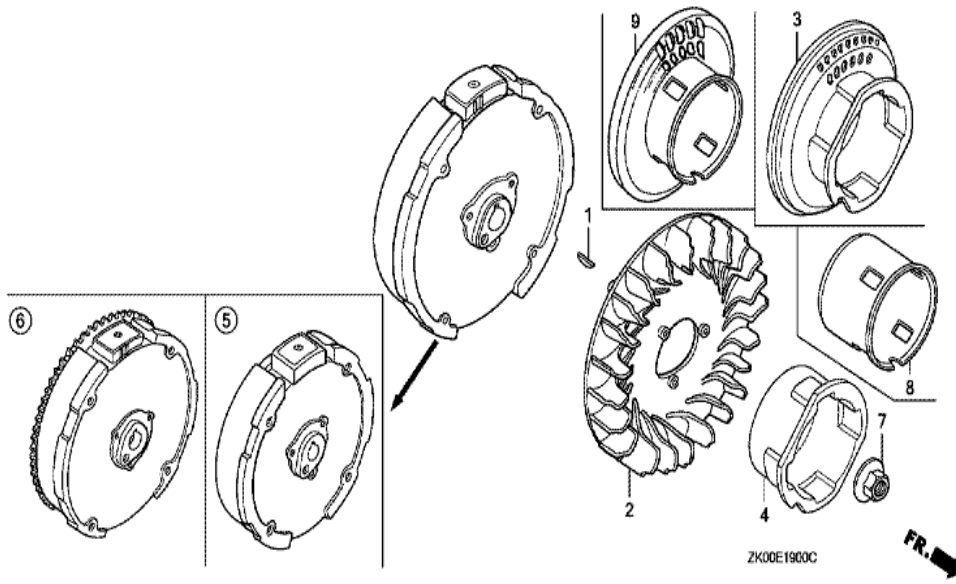
Ref	Partnumber	Description	GX200	Serial Numbers
001	16271-ZE1-000	PACKING, ELBOW	1	
002	17210-ZE1-822	ELEMENT, AIR CLEANER (DUAL)	1	
003	17218-ZE1-821	FILTER, OUTER	1	
004	17230-ZE1-820	COVER, AIR CLEANER (DUAL)	1	
005	17232-891-000	GROMMET, AIR CLEANER	1	
006	17235-ZE1-831	NOSE, SILENCER	1	
007	17238-ZE7-010	COLLAR, AIR CLEANER	2	
008	17239-ZE1-000	COLLAR B, AIR CLEANER	1	
009	17410-ZE1-020	ELBOW COMP., AIR CLEANER	1	
010	90325-044-000	NUT, TOOL BOX SETTING	2	
011	94050-06000	NUT, FLANGE, 6MM	2	
012	95701-0602000	BOLT, FLANGE, 6X20	1	



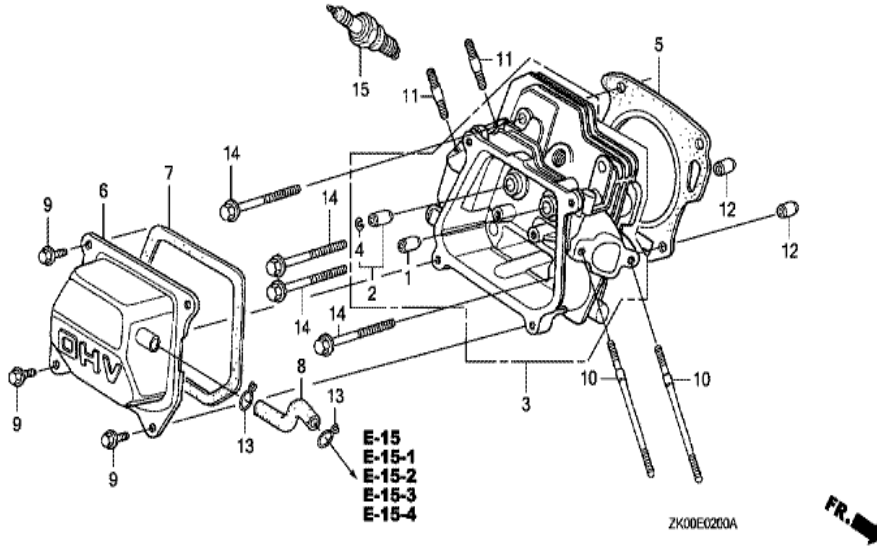
Ref	Partnumber	Description	GX200	Serial Numbers
002	18310-ZL0-000	MUFFLER COMP.	(1)	
002	18310-ZL0-000	MUFFLER COMP.	1	
003	18315-ZE1-000	STAY, MUFFLER	1	
004	18320-ZF1-H51	PROTECTOR, MUFFLER (SILENT)	1	
007	18361-ZL0-000	NETTING, WIRE FLANGE	1	
008	18381-ZH8-800	GASKET, MUFFLER	1	
013	90016-ZE1-000	BOLT, FLANGE, 6X13 (CT200)	1	
014	90050-ZE1-000	SCREW, TAPPING, 5X8	4	
018	90056-ZL0-000	SCREW, TAPPING, 4X6	1	
021	94001-080000S	NUT, HEX., 8MM	2	
023	95701-0601200	BOLT, FLANGE, 6X12	1	



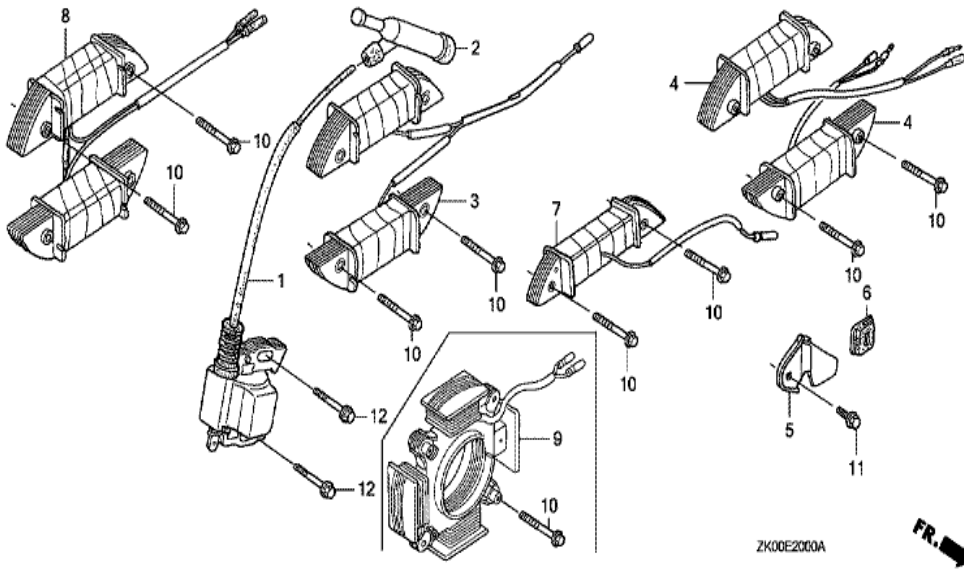
Ref	Partnumber	Description	GX200	Serial Numbers
003	16854-ZH8-000	RUBBER, SUPPORTER (107MM)	1	
006	16955-ZE1-000	JOINT, FUEL TANK	1	
007	17500-ZE1-813ZA	TANK ASSY., FUEL (GAUGE) *NH31 *	1	
008	17505-ZE1-013	GAUGE ASSY., FUEL	1	
014	17672-ZE2-W01	FILTER, FUEL	1	
017	90004-ZL0-003	BOLT, FLANGE, 6X34	1	
018	91353-671-004	O-RING, 14MM (NOK)	1	
019	93600-050100A	SCREW, FLAT, 5X10	2	
020	94050-06000	NUT, FLANGE, 6MM	2	
021	95001-4514040	TUBE, FUEL, 4.5X140 (95001-45001-60M)	1	
021	95001-4514040	TUBE, FUEL, 4.5X140 (95001-45001-60M)	1	
022	95002-02080	CLIP, TUBE (B8)	2	
024	17620-Z0T-305	CAP COMP., FUEL FILLER (CHROME PLATED)	1	
Ref	Partnumber	Description	GX200	Serial Numbers
024	17620-Z0T-305	CAP COMP., FUEL FILLER (CHROME PLATED)	1	
025	17631-Z0T-812	PACKING, FUEL FILLER CAP (39X62X3) (TOUY)	1	



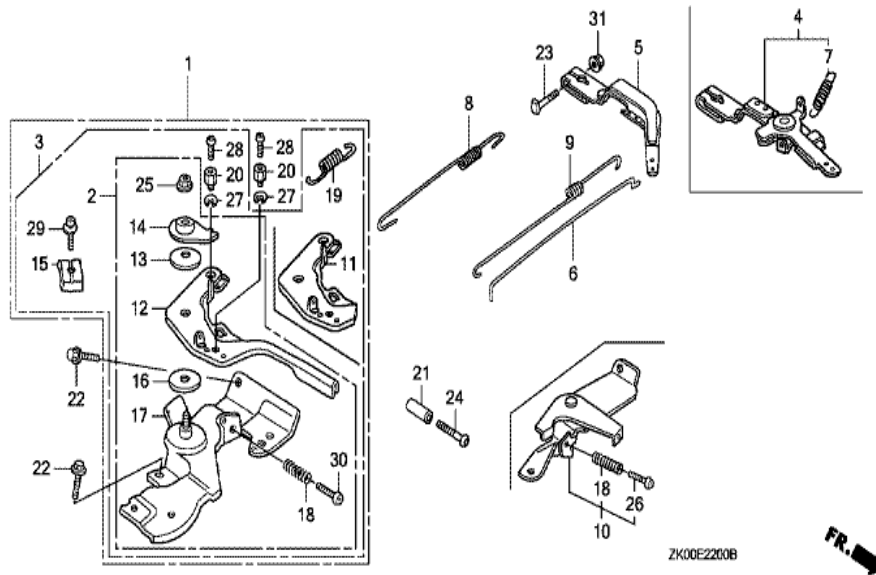
Ref	Partnumber	Description	GX200	Serial Numbers
001	13331-357-000	KEY, SPECIAL WOODRUFF, 25X18	1	
002	19511-ZE1-000	FAN, COOLING	1	
005	31100-ZE7-010	FLYWHEEL COMP. (STD.)	1	
007	90201-878-003	NUT, SPECIAL, 14MM	1	
008	28451-ZL0-801	PULLEY, STARTER	1	1937023
008	28451-ZL0-801	PULLEY, STARTER	1	



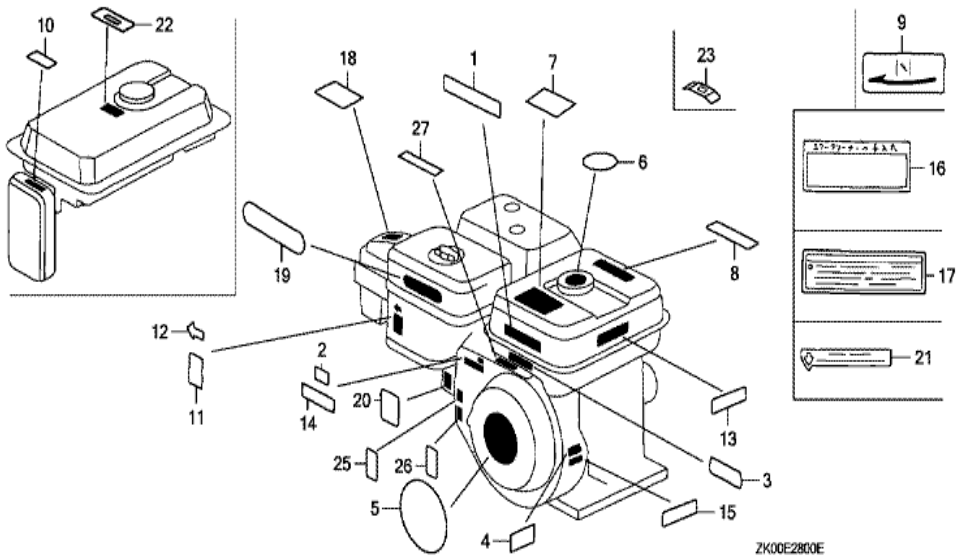
Ref	Partnumber	Description	GX200	Serial Numbers
001	12204-ZE1-306	GUIDE, IN. VALVE (OS)	1	
002	12205-ZE1-315	GUIDE, EX. VALVE (OS)	1	
003	12210-ZL0-415	HEAD COMP., CYLINDER	1	2060340
003	12210-ZL0-415	HEAD COMP., CYLINDER	1	
004	12216-ZE5-300	CLIP, VALVE GUIDE	1	
005	12251-ZL0-003	GASKET, CYLINDER HEAD (NIPPON LEAKLESS)	1	
006	12310-ZE1-020	COVER COMP., HEAD	1	
007	12391-ZE1-000	PACKING, HEAD COVER	1	
008	15721-ZH8-000	TUBE, BREATHER	1	
008	15721-ZH8-000	TUBE, BREATHER	1	
009	90013-883-000	BOLT, FLANGE, 6X12 (CT200)	4	
010	90043-ZE1-020	BOLT, STUD, 6X112	2	
010	90043-ZE1-020	BOLT, STUD, 6X112	2	
<u>Ref</u>	<u>Partnumber</u>	<u>Description</u>	<u>GX200</u>	<u>Serial Numbers</u>
011	90047-ZE1-000	BOLT, STUD, 8X32	2	
012	94301-10160	DOWEL PIN, 10X16	2	
014	95701-0806000	BOLT, FLANGE, 8X60	4	
014	95701-0806000	BOLT, FLANGE, 8X60	4	2218105
015	98079-56846	PLUG, SPARK (BPR6ES) (NGK)	1	
015	98079-56846	PLUG, SPARK (BPR6ES) (NGK)	1	
015	98079-56855	PLUG, SPARK (W20EPR-U) (DENSO)	1	
015	98079-56855	PLUG, SPARK (W20EPR-U) (DENSO)	1	



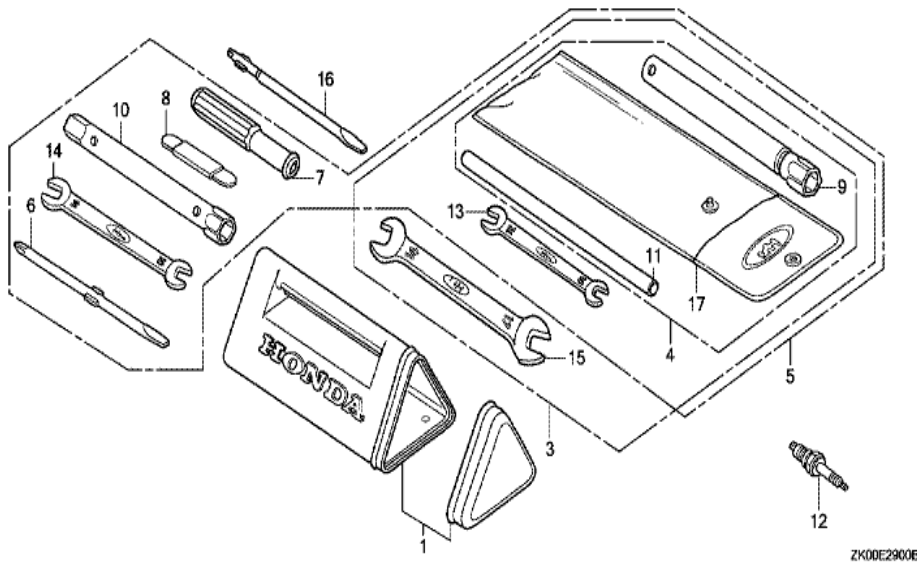
Ref	Partnumber	Description	GX200	Serial Numbers
001	30500-ZE1-073	COIL ASSY., IGNITION	1	
001	30500-ZE1-073	COIL ASSY., IGNITION	1	
002	30700-ZE1-013	CAP ASSY., NOISE SUPPRESSOR (NICHIWA Y-E	1	
002	30700-ZE1-013	CAP ASSY., NOISE SUPPRESSOR (NICHIWA Y-E	1	
012	90121-952-000	BOLT, FLANGE, 6X25 (CT200)	2	



<u>Ref</u>	<u>Partnumber</u>	<u>Description</u>	<u>GX200</u>	<u>Serial Numbers</u>
001	16500-ZH8-U43	CONTROL ASSY. (NORTON)	1	
005	16551-ZL0-000	ARM, GOVERNOR	1	
006	16555-ZE1-000	ROD, GOVERNOR	1	
008	16561-ZL0-000	SPRING, GOVERNOR	1	
009	16562-ZE1-020	SPRING, THROTTLE RETURN	1	
012	16571-ZH8-020	LEVER, CONTROL	1	
013	16574-ZE1-000	SPRING, LEVER	1	
014	16575-ZH8-000	WASHER, CONTROL LEVER	1	
015	16576-891-000	HOLDER, CABLE	1	
016	16578-ZE1-000	SPACER, CONTROL LEVER	1	
017	16580-ZH8-813	BASE COMP., CONTROL (REMOTE)	1	1937023
017	16580-ZH8-813	BASE COMP., CONTROL (REMOTE)	1	
018	16584-883-300	SPRING, CONTROL ADJUSTING	1	
<u>Ref</u>	<u>Partnumber</u>	<u>Description</u>	<u>GX200</u>	<u>Serial Numbers</u>
019	16592-ZE1-810	SPRING, CABLE RETURN	1	
020	16594-883-010	HOLDER, WIRE	1	
020	16594-883-010	HOLDER, WIRE	2	
022	90013-883-000	BOLT, FLANGE, 6X12 (CT200)	2	
023	90015-ZE5-010	BOLT, GOVERNOR ARM	1	
025	90114-SA0-000	NUT, SELF-LOCK, 6MM	1	
027	90605-230-000	CIRCLIP, 5MM	1	
027	90605-230-000	CIRCLIP, 5MM	2	
028	93500-040060H	SCREW, PAN, 4X6	1	
028	93500-040060H	SCREW, PAN, 4X6	2	
029	93500-050160A	SCREW, PAN, 5X16	1	
030	93500-050250H	SCREW, PAN, 5X25	1	1937023
030	93500-050250H	SCREW, PAN, 5X25	1	
031	94050-06000	NUT, FLANGE, 6MM	1	

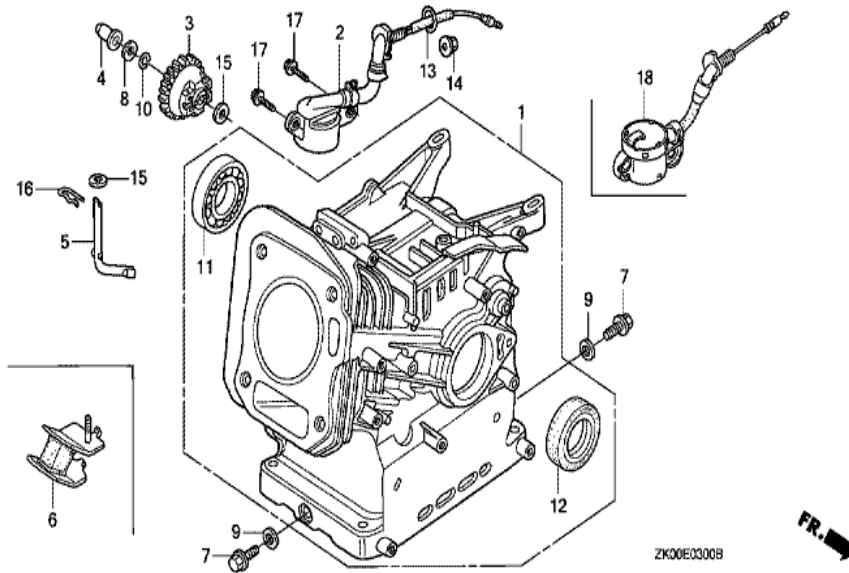


Ref	Partnumber	Description	GX200	Serial Numbers
001	87520-ZH8-000	MARK A, COMBINATION (JAPANESE)	1	
001	87520-ZH8-000	MARK A, COMBINATION (JAPANESE)	1	
005	87521-ZL0-030	EMBLEM (GX200)	1	2204534
005	87521-ZL0-030	EMBLEM (GX200)	1	
008	87526-ZH8-000	MARK B, COMBINATION (JAPANESE)	1	
011	87528-ZE1-810	MARK, CHOKE	1	
011	87528-ZE1-810	MARK, CHOKE	1	
013	87530-ZL8-810	MARK, OIL ALERT	1	
013	87530-ZL8-810	MARK, OIL ALERT	1	
023	87565-ZE2-000	MARK, FUEL INDICATION (JAPANESE)	1	
026	87114-ZH7-000	LABEL, WARNING (NOT CERTIFIED FOR SALE)	1	

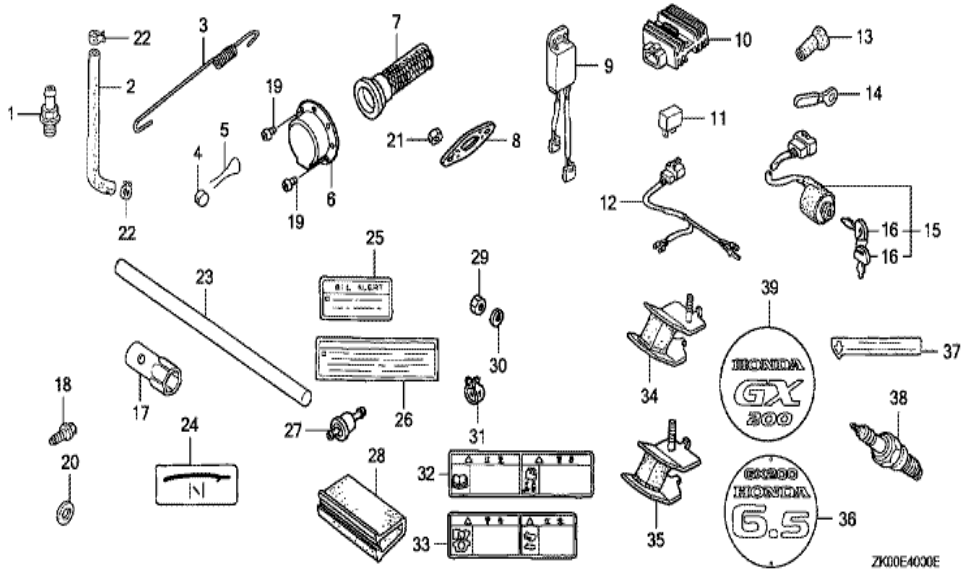


ZK00E2900B

Ref	Partnumber	Description	GX200	Serial Numbers
009	89218-ZE1-000	WRENCH COMP., SPARK PLUG	1	
009	89218-ZE1-000	WRENCH COMP., SPARK PLUG	1	

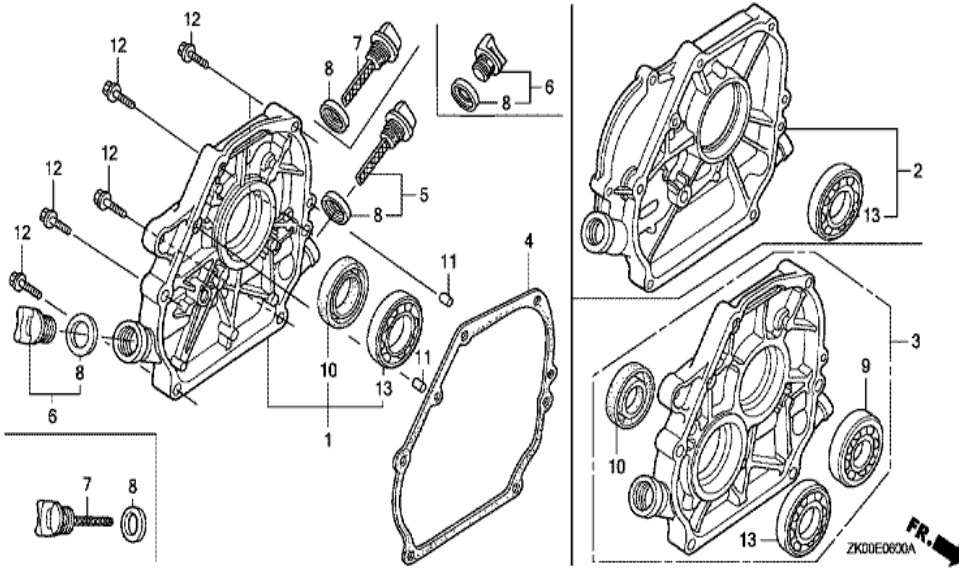


<u>Ref</u>	<u>Partnumber</u>	<u>Description</u>	<u>GX200</u>	<u>Serial Numbers</u>
001	12000-ZL0-417	BARREL ASSY., CYLINDER	1	
001	12000-ZL0-417	BARREL ASSY., CYLINDER	1	
003	16506-ZL0-000	GOVERNOR ASSY.	1	
004	16531-ZE1-000	SLIDER, GOVERNOR	1	
005	16541-ZE1-000	SHAFT, GOVERNOR ARM	1	
007	90131-ZE1-000	BOLT, DRAIN PLUG	2	
008	90451-ZE1-000	WASHER, THRUST, 6MM	1	
009	90601-ZE1-000	WASHER, DRAIN PLUG, 10.2MM	2	
010	90602-ZE1-000	CLIP, GOVERNOR HOLDER	1	
011	91001-ZF1-003	BEARING, RADIAL BALL (6205TMB) (NTN)	1	
011	91001-ZF1-004	BEARING, RADIAL BALL (6205SH) (KOYO)	1	
011	91001-ZF1-004	BEARING, RADIAL BALL (6205SH) (KOYO)	1	
012	91201-ZOT-801	OIL SEAL, 25X41X6 (NOK)	1	
<u>Ref</u>	<u>Partnumber</u>	<u>Description</u>	<u>GX200</u>	<u>Serial Numbers</u>
013	91353-671-004	O-RING, 14MM (NOK)	1	
014	94050-10000	NUT, FLANGE, 10MM	1	
015	94101-06800	WASHER, PLAIN, 6MM	2	
016	94251-08000	PIN, LOCK, 8MM	1	
017	95701-0601200	BOLT, FLANGE, 6X12	2	
018	35480-ZOT-003	SWITCH ASSY., OIL LEVEL	1	

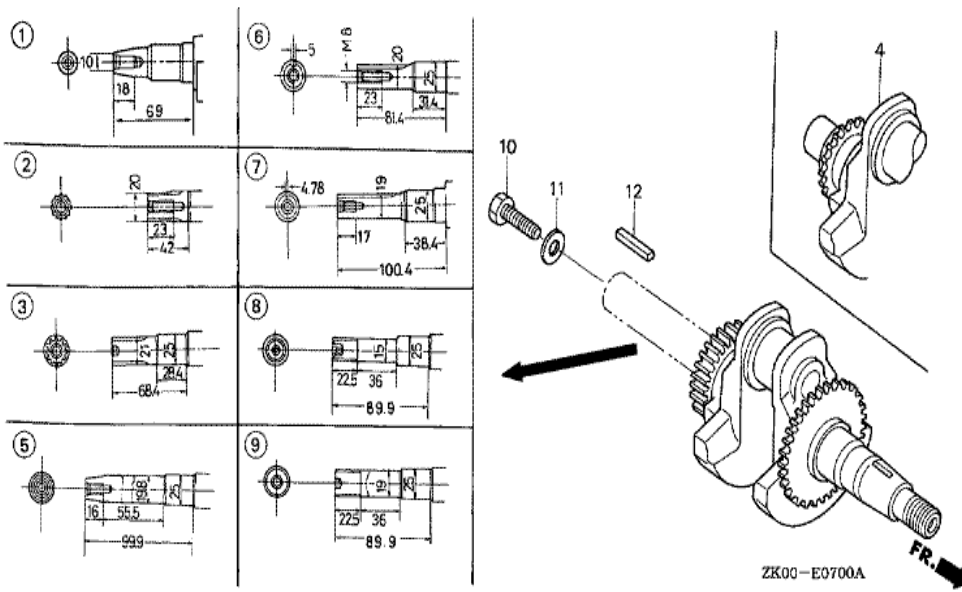


ZK00E4000E

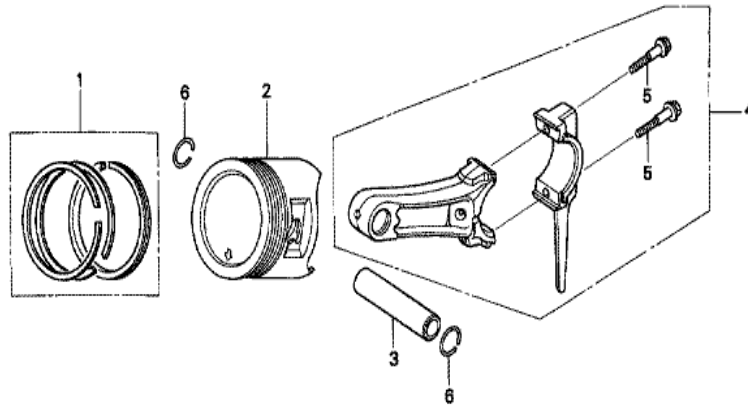
Ref	Partnumber	Description	GX200	Serial Numbers
006	18331-883-810	CAP, MUFFLER	1	
014	32901-MA1-000	CLIP, SUB CORD	3	
019	90055-ZE1-000	SCREW, TAPPING, 4X6	2	



Ref	Partnumber	Description	GX200	Serial Numbers
001	11300-ZE1-634	COVER ASSY., CRANKCASE	1	
001	11300-ZE1-634	COVER ASSY., CRANKCASE	1	
004	11381-ZH8-801	PACKING, CASE COVER (NON ASBESTOS)	1	2416618
004	11381-ZL0-000	PACKING, CASE COVER	1	2416617
005	15600-ZE1-003	CAP ASSY., OIL FILLER (GRAY)	1	
006	15600-ZG4-003	CAP ASSY., OIL FILLER	1	
008	15625-ZE1-003	PACKING, OIL FILLER CAP	2	
010	91201-ZOT-801	OIL SEAL, 25X41X6 (NOK)	1	
011	94301-08140	DOWEL PIN, 8X14	2	
012	95701-0803200	BOLT, FLANGE, 8X32	6	
013	96100-6205000	BEARING, RADIAL BALL, 6205	1	



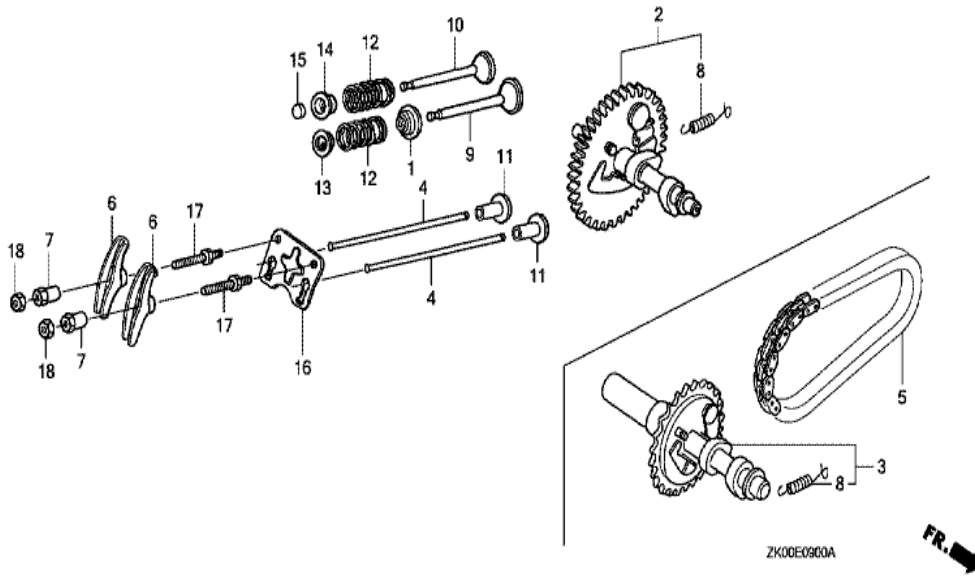
Ref	Partnumber	Description	GX200	Serial Numbers
006	13310-ZL0-020	CRANKSHAFT COMP.	1	2092788
006	13310-ZL0-020	CRANKSHAFT COMP.	1	



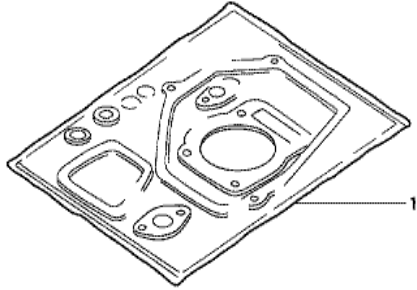
ZK00-E0900



<u>Ref</u>	<u>Partnumber</u>	<u>Description</u>	<u>GX200</u>	<u>Serial Numbers</u>
001	13010-Z4K-004	RING SET, PISTON (STD.) (TPR)	1	
001	13010-Z4K-004	RING SET, PISTON (STD.) (TPR)	1	2203881
001	13011-Z4K-004	RING SET, PISTON (0.25) (TPR)	(1)	2203881
001	13011-Z4K-004	RING SET, PISTON (0.25) (TPR)	(1)	
001	13012-Z4K-004	RING SET, PISTON (0.50) (TPR)	(1)	2203881
001	13012-Z4K-004	RING SET, PISTON (0.50) (TPR)	(1)	
001	13013-Z4K-004	RING SET, PISTON (0.75) (TPR)	(1)	2203881
001	13013-Z4K-004	RING SET, PISTON (0.75) (TPR)	(1)	
002	13101-ZL0-020	PISTON (STD.)	1	2203881
002	13102-ZL0-020	PISTON (0.25)	(1)	2203881
002	13102-ZL0-020	PISTON (0.25)	(1)	
002	13103-ZL0-020	PISTON (0.50)	(1)	2203881
002	13103-ZL0-020	PISTON (0.50)	(1)	
<u>Ref</u>	<u>Partnumber</u>	<u>Description</u>	<u>GX200</u>	<u>Serial Numbers</u>
002	13104-ZL0-020	PISTON (0.75)	(1)	2203881
002	13104-ZL0-020	PISTON (0.75)	(1)	
003	13111-ZE1-000	PIN, PISTON	1	
004	13200-ZE1-010	ROD ASSY., CONNECTING (STD.)	1	2352733
004	13200-ZE1-020	ROD ASSY., CONNECTING (STD.)	1	2352734
005	90001-ZE1-000	BOLT, CONNECTING ROD	2	
006	90551-ZE1-000	CLIP, PISTON PIN, 18MM	2	



<u>Ref</u>	<u>Partnumber</u>	<u>Description</u>	<u>GX200</u>	<u>Serial Numbers</u>
001	12209-ZH8-003	SEAL, VALVE STEM	1	
002	14100-ZL0-000	CAMSHAFT ASSY.	1	
004	14410-ZE1-010	ROD, PUSH	2	
006	14431-ZE1-000	ARM, VALVE ROCKER	2	
007	14451-ZE1-013	PIVOT, ROCKER ARM	2	
008	14568-ZE1-000	SPRING, WEIGHT RETURN	1	
009	14711-ZF1-000	VALVE, IN.	1	
010	14721-ZF1-000	VALVE, EX.	1	
010	14721-ZF1-000	VALVE, EX.	1	
011	14731-ZL0-000	LIFTER, VALVE	2	
012	14751-ZF1-000	SPRING, VALVE	2	
013	14771-ZE1-000	RETAINER, IN. VALVE SPRING	1	
014	14773-Z4X-000	RETAINER, EX. VALVE SPRING	1	2370422
<u>Ref</u>	<u>Partnumber</u>	<u>Description</u>	<u>GX200</u>	<u>Serial Numbers</u>
014	14773-ZE1-000	RETAINER, EX. VALVE SPRING	1	2370421
014	14773-ZE1-000	RETAINER, EX. VALVE SPRING	1	2370421
015	14781-ZE1-000	ROTATOR, VALVE	1	
016	14791-ZE1-010	PLATE, PUSH ROD GUIDE	1	
017	90012-ZE0-010	BOLT, PIVOT, 8MM	2	
018	90206-ZE1-000	NUT, PIVOT ADJUSTING	2	



HENG-X0003

<u>Ref</u>	<u>Partnumber</u>	<u>Description</u>	<u>GX200</u>	<u>Serial Numbers</u>
001	06111-ZLO-000	GASKET KIT	1	