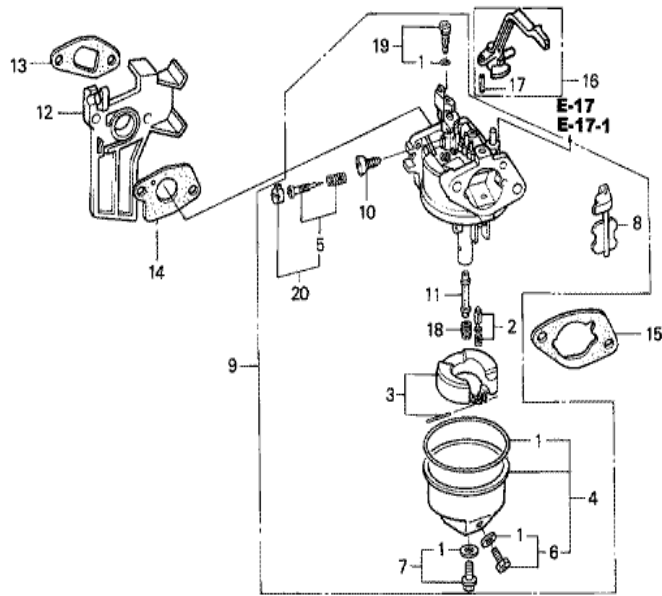


| Ref | Partnumber      | Description                        | GX200              | Serial Numbers |                       |
|-----|-----------------|------------------------------------|--------------------|----------------|-----------------------|
| 001 | 28400-ZH8-013YA | STARTER ASSY., RECOIL *R280 *      | 1                  | 1812940        |                       |
| 001 | 28400-ZH8-013ZA | STARTER ASSY., RECOIL *R8 *        | 1                  | 1812939        |                       |
| 001 | 28400-ZH8-013ZA | STARTER ASSY., RECOIL *R8 *        | 1                  | 1812939        |                       |
| 002 | 28405-ZL0-000ZB | SPACER, RECOIL STARTER MOUNTING *  | 1                  | 1812939        |                       |
| 002 | 28405-ZL0-000ZB | SPACER, RECOIL STARTER MOUNTING *  | 1                  | 1812939        |                       |
| 002 | 28405-ZL0-000ZD | SPACER, RECOIL STARTER MOUNTING *  | 1                  | 1812940        |                       |
| 002 | 28405-ZL0-000ZD | SPACER, RECOIL STARTER MOUNTING *  | 1                  | 1812940        |                       |
| 003 | 28410-ZH8-003YA | CASE COMP., RECOIL STARTER *R280 * | 1                  | 1812940        |                       |
| 003 | 28410-ZH8-003ZA | CASE COMP., RECOIL STARTER *R8 *   | 1                  | 1812939        |                       |
| 003 | 28410-ZH8-003ZA | CASE COMP., RECOIL STARTER *R8 *   | 1                  | 1812939        |                       |
| 004 | 28420-ZH8-013   | REEL, RECOIL STARTER (NATURAL)     | 1                  |                |                       |
| 005 | 28422-ZH8-013   | RATCHET, STARTER                   | 2                  |                |                       |
| 006 | 28433-ZH8-003   | GUIDE, RATCHET                     | 1                  |                |                       |
|     | <u>Ref</u>      | <u>Partnumber</u>                  | <u>Description</u> | <u>GX200</u>   | <u>Serial Numbers</u> |
| 007 | 28441-ZH8-003   | SPRING, FRICTION                   | 1                  |                |                       |
| 008 | 28442-ZH8-003   | SPRING, RECOIL STARTER             | 1                  |                |                       |
| 009 | 28443-ZH8-003   | SPRING, RETURN                     | 2                  |                |                       |
| 010 | 28461-ZH8-003   | GRIP, STARTER                      | 1                  |                |                       |
| 011 | 28462-ZH8-003   | ROPE, RECOIL STARTER               | 1                  |                |                       |
| 012 | 90003-ZH8-003   | SCREW, SETTING                     | 1                  |                |                       |
| 013 | 95701-0601800   | BOLT, FLANGE, 6X18                 | 3                  |                |                       |
| 013 | 95701-0601800   | BOLT, FLANGE, 6X18                 | 3                  |                |                       |



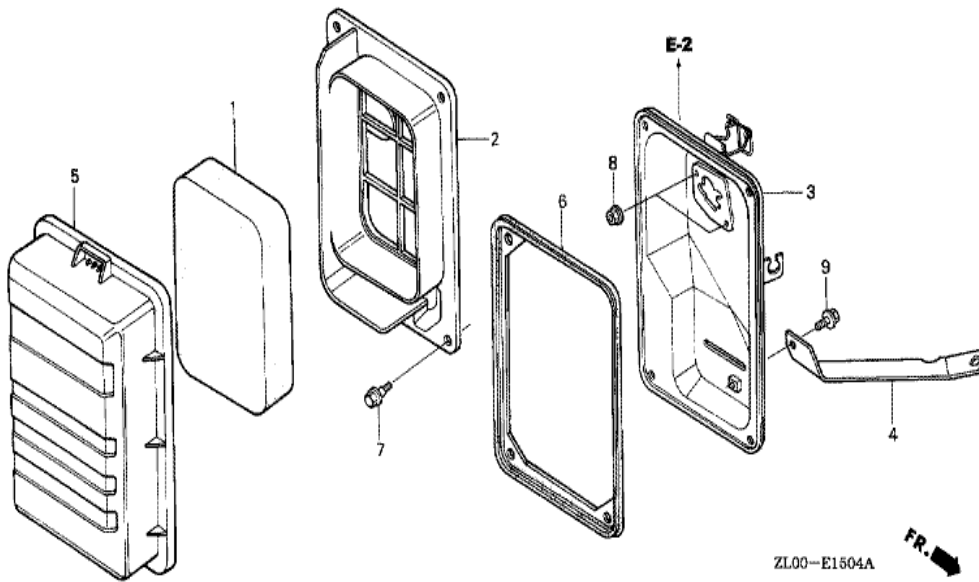
ZL00-E1200B

| <u>Ref</u> | <u>Partnumber</u> | <u>Description</u>            | <u>GX200</u> | <u>Serial Numbers</u> |
|------------|-------------------|-------------------------------|--------------|-----------------------|
| 002        | 19610-ZL0-000ZB   | COVER COMP., FAN *R8 *        | 1            | 1812939               |
| 002        | 19610-ZL0-000ZB   | COVER COMP., FAN *R8 *        | 1            | 1812939               |
| 002        | 19610-ZL0-000ZJ   | COVER COMP., FAN *R280 *      | 1            | 1812940               |
| 002        | 19610-ZL0-000ZJ   | COVER COMP., FAN *R280 *      | 1            | 1812940               |
| 006        | 19630-ZH8-000     | SHROUD COMP.                  | 1            |                       |
| 008        | 36100-ZH7-W41     | SWITCH ASSY., ENGINE STOP     | 1            | 1061456               |
| 008        | 36100-ZH7-W41     | SWITCH ASSY., ENGINE STOP     | 1            |                       |
| 009        | 36101-ZE1-010     | CORD, STOP SWITCH (370MM)     | 1            |                       |
| 009        | 36101-ZE1-010     | CORD, STOP SWITCH (370MM)     | 1            |                       |
| 010        | 90013-883-000     | BOLT, FLANGE, 6X12 (CT200)    | 4            |                       |
| 010        | 90013-883-000     | BOLT, FLANGE, 6X12 (CT200)    | 6            |                       |
| 011        | 90022-888-010     | BOLT, FLANGE, 6X20 (CT200)    | 1            |                       |
| 013        | 90601-ZH7-013     | CLIP, HARNESS                 | 1            |                       |
| <u>Ref</u> | <u>Partnumber</u> | <u>Description</u>            | <u>GX200</u> | <u>Serial Numbers</u> |
| 019        | 34150-ZH7-003     | ALERT UNIT, OIL               | 1            |                       |
| 021        | 95701-0600800     | BOLT, FLANGE, 6X8             | 1            |                       |
| 029        | 19611-ZH8-810     | PLATE COMP., SIDE (OIL ALERT) | 1            |                       |

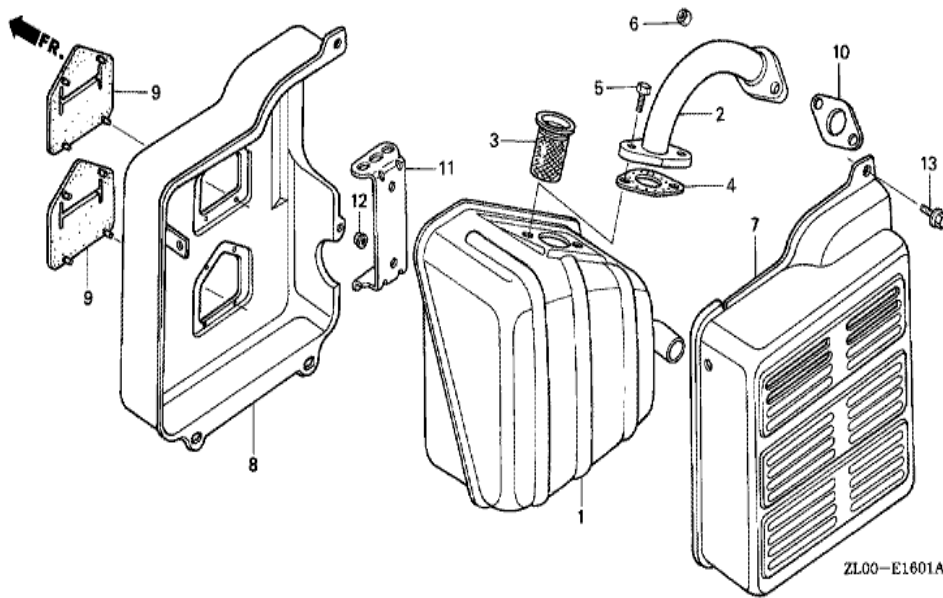


ZL00-E1402C

| <u>Ref</u> | <u>Partnumber</u> | <u>Description</u>         | <u>GX200</u> | <u>Serial Numbers</u> |
|------------|-------------------|----------------------------|--------------|-----------------------|
| 001        | 16010-ZB1-015     | GASKET SET                 | 1            |                       |
| 002        | 16011-ZE0-005     | VALVE SET, FLOAT           | 1            |                       |
| 003        | 16013-ZE0-005     | FLOAT SET                  | 1            |                       |
| 004        | 16015-ZE0-831     | CHAMBER SET, FLOAT         | 1            |                       |
| 005        | 16016-ZE0-005     | SCREW SET, PILOT           | 1            |                       |
| 006        | 16024-ZE1-811     | SCREW SET, DRAIN           | 1            |                       |
| 007        | 16028-ZE0-005     | SCREW SET                  | 1            |                       |
| 008        | 16044-ZE0-005     | CHOKE SET                  | 1            |                       |
| 009        | 16100-ZL0-V31     | CARBURETOR ASSY. (BE74A B) | 1            |                       |
| 009        | 16100-ZL0-V31     | CARBURETOR ASSY. (BE74A B) | 1            |                       |
| 010        | 16124-ZE0-005     | SCREW, THROTTLE STOP       | 1            |                       |
| 011        | 16166-ZL0-000     | NOZZLE, MAIN               | 1            |                       |
| 012        | 16211-ZL0-000     | INSULATOR, CARBURETOR      | 1            |                       |
| <u>Ref</u> | <u>Partnumber</u> | <u>Description</u>         | <u>GX200</u> | <u>Serial Numbers</u> |
| 013        | 16212-ZH8-800     | PACKING, INSULATOR         | 1            |                       |
| 014        | 16221-ZH8-801     | PACKING, CARBURETOR        | 1            |                       |
| 015        | 16269-ZE1-800     | PACKING, AIR CLEANER       | 1            |                       |
| 016        | 16610-ZB2-000     | LEVER COMP., CHOKE         | 1            |                       |
| 017        | 94305-20122       | PIN, SPRING, 2X12          | 1            |                       |
| 018        | 99101-ZH80720     | JET, MAIN, #72             | (1)          |                       |
| 018        | 99101-ZH80750     | JET, MAIN, #75             | (1)          |                       |
| 018        | 99101-ZH80750     | JET, MAIN, #75             | (1)          |                       |
| 018        | 99101-ZH80780     | JET, MAIN, #78             | 1            |                       |
| 018        | 99101-ZH80780     | JET, MAIN, #78             | 1            |                       |
| 019        | 99204-ZE20400     | JET SET, PILOT, #40        | 1            |                       |

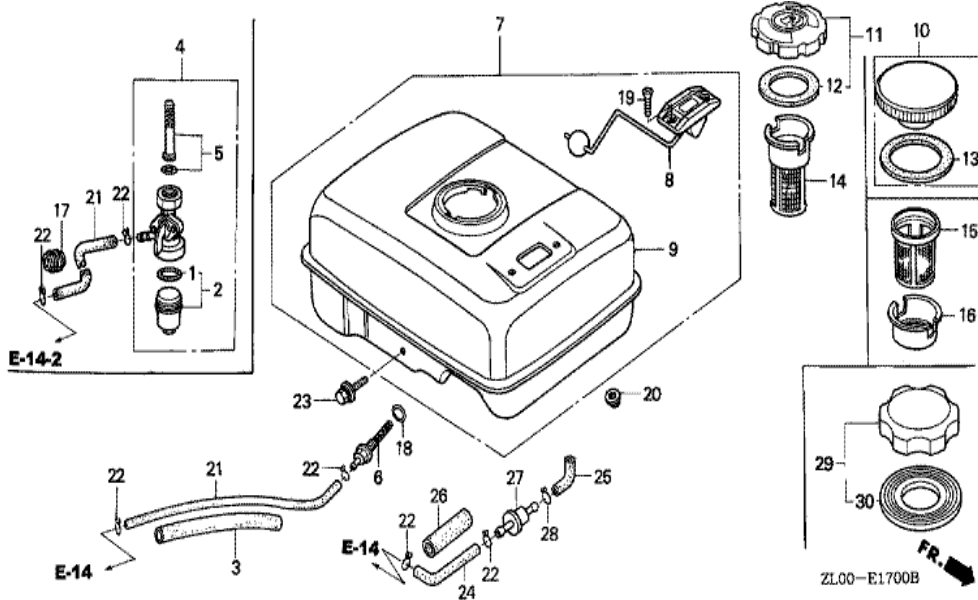


| Ref | Partnumber    | Description             | GX200 | Serial Numbers |
|-----|---------------|-------------------------|-------|----------------|
| 001 | 17211-ZB2-000 | ELEMENT, AIR CLEANER    | 1     |                |
| 002 | 17212-ZB2-000 | SEPARATOR, AIR CLEANER  | 1     |                |
| 003 | 17220-ZB2-000 | CASE COMP., AIR CLEANER | 1     |                |
| 004 | 17222-ZL0-V30 | STAY, AIR CLEANER       | 1     |                |
| 005 | 17231-ZB2-000 | COVER, AIR CLEANER      | 1     |                |
| 006 | 17252-ZB2-000 | SEAL, AIR CLEANER       | 1     |                |
| 007 | 90115-459-770 | BOLT, WINKER SETTING    | 4     |                |
| 008 | 94050-06080   | NUT, FLANGE, 6MM        | 2     |                |
| 009 | 95701-0601000 | BOLT, FLANGE, 6X10      | 1     |                |

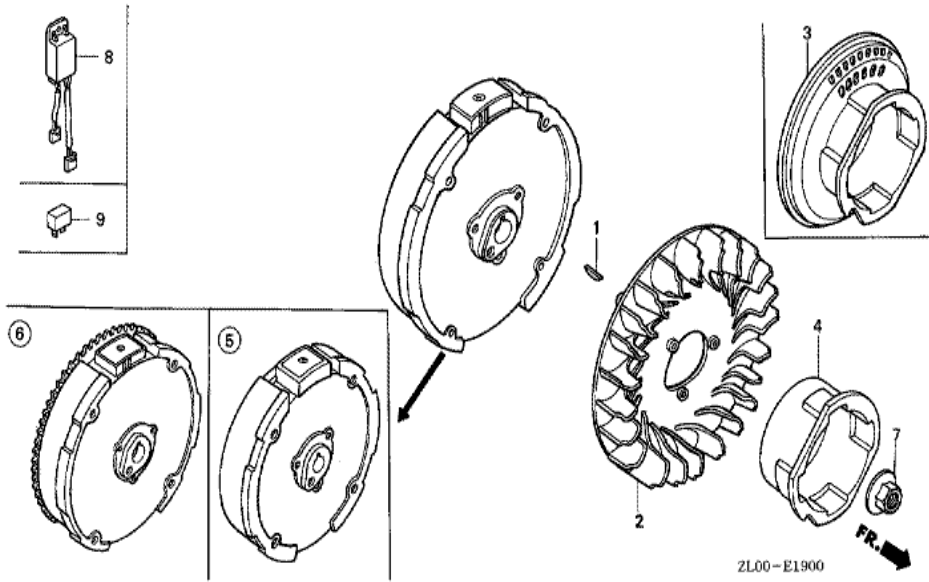


ZL00-E1601A

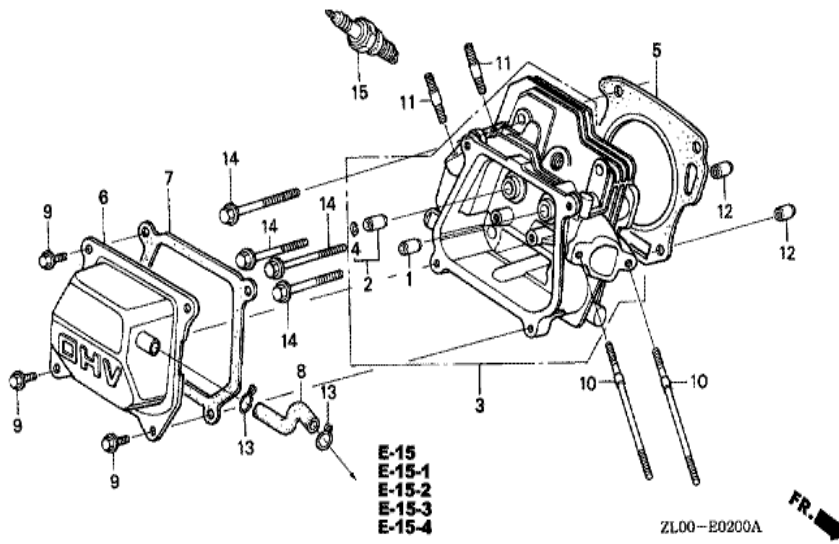
| Ref | Partnumber    | Description      | GX200 | Serial Numbers |
|-----|---------------|------------------|-------|----------------|
| 001 | 18310-ZB3-C00 | MUFFLER COMP.    | 1     |                |
| 002 | 18330-ZB2-000 | PIPE COMP., EX.  | 1     |                |
| 003 | 18355-898-630 | ARRESTER, SPARK  | 1     |                |
| 004 | 18381-ZE1-800 | GASKET, MUFFLER  | 1     |                |
| 005 | 92101-080200A | BOLT, HEX., 8X20 | 2     |                |
| 006 | 94001-080000S | NUT, HEX., 8MM   | 2     |                |
| 010 | 18381-ZH8-800 | GASKET, MUFFLER  | 1     |                |



| Ref | Partnumber    | Description                           | GX200 | Serial Numbers |
|-----|---------------|---------------------------------------|-------|----------------|
| 003 | 16854-ZH8-000 | RUBBER, SUPPORTER (107MM)             | 1     |                |
| 021 | 95001-4543040 | TUBE, FUEL, 4.5X430 (95001-45001-60M) | 1     |                |
| 021 | 95001-4543040 | TUBE, FUEL, 4.5X430 (95001-45001-60M) | 1     |                |
| 022 | 95002-02080   | CLIP, TUBE (B8)                       | 2     |                |

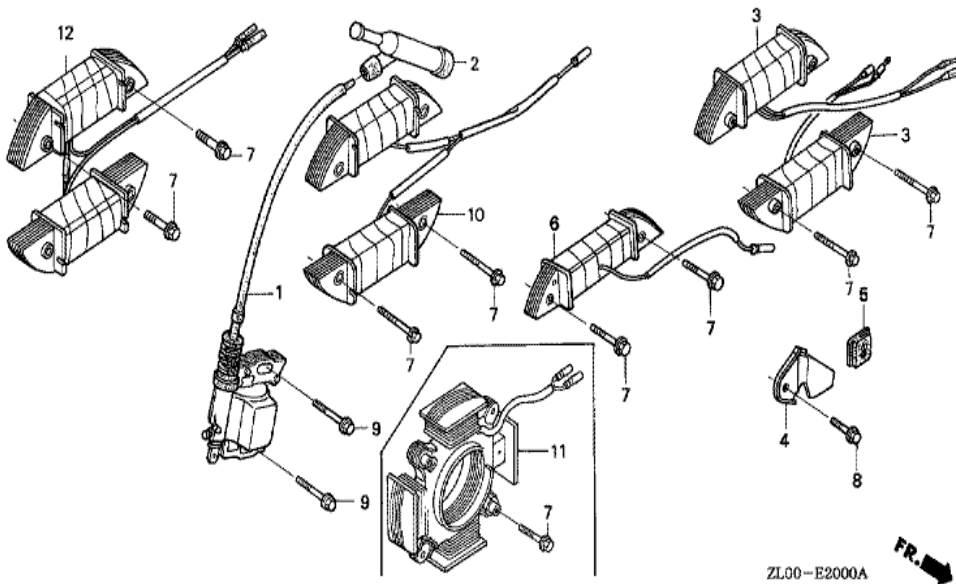


| Ref | Partnumber    | Description                  | GX200 | Serial Numbers |
|-----|---------------|------------------------------|-------|----------------|
| 001 | 13331-357-000 | KEY, SPECIAL WOODRUFF, 25X18 | 1     |                |
| 002 | 19511-ZE1-000 | FAN, COOLING                 | 1     |                |
| 004 | 28451-ZL0-000 | PULLEY, STARTER              | 1     |                |
| 004 | 28451-ZL0-000 | PULLEY, STARTER              | 1     |                |
| 005 | 31100-ZE7-010 | FLYWHEEL COMP. (STD.)        | 1     |                |
| 005 | 31100-ZE7-010 | FLYWHEEL COMP. (STD.)        | 1     |                |
| 007 | 90201-878-003 | NUT, SPECIAL, 14MM           | 1     |                |

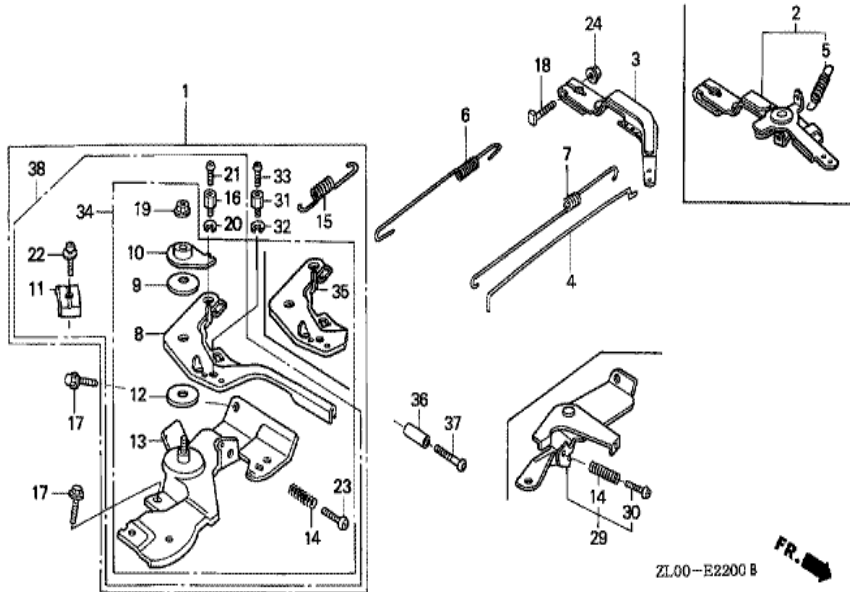


| Ref | Partnumber    | Description                             | GX200 | Serial Numbers |
|-----|---------------|---|-------|----------------|
| 001 | 12204-ZE1-306 | GUIDE, IN. VALVE (OS)                   | (1)   |                |
| 002 | 12205-ZE1-315 | GUIDE, EX. VALVE (OS)                   | (1)   |                |
| 003 | 12210-ZL0-405 | HEAD COMP., CYLINDER                    | 1     |                |
| 004 | 12216-ZE5-300 | CLIP, VALVE GUIDE                       | 1     |                |
| 005 | 12251-ZL0-003 | GASKET, CYLINDER HEAD (NIPPON LEAKLESS) | 1     |                |
| 006 | 12310-ZE1-020 | COVER COMP., HEAD                       | 1     | 1627996        |
| 006 | 12310-ZE1-020 | COVER COMP., HEAD                       | 1     |                |
| 007 | 12391-ZE1-000 | PACKING, HEAD COVER                     | 1     |                |
| 008 | 15721-883-030 | TUBE, BREATHER                          | 1     |                |
| 009 | 90013-883-000 | BOLT, FLANGE, 6X12 (CT200)              | 4     |                |
| 010 | 90043-ZB2-003 | BOLT, STUD, 6X94                        | 2     |                |
| 010 | 90043-ZB2-003 | BOLT, STUD, 6X94                        | 2     |                |
| 011 | 90047-ZE1-000 | BOLT, STUD, 8X32                        | 2     |                |
| Ref | Partnumber    | Description                             | GX200 | Serial Numbers |
| 012 | 94301-10160   | DOWEL PIN, 10X16                        | 2     |                |
| 014 | 95723-0806000 | BOLT, FLANGE, 8X60                      | 4     |                |
| 015 | 98079-55846   | PLUG, SPARK (BPR5ES) (NGK)              | (1)   |                |
| 015 | 98079-55855   | PLUG, SPARK (W16EPR-U) (DENSO)          | (1)   |                |
| 015 | 98079-55855   | PLUG, SPARK (W16EPR-U) (DENSO)          | (1)   |                |
| 015 | 98079-56846   | PLUG, SPARK (BPR6ES) (NGK)              | 1     |                |
| 015 | 98079-56846   | PLUG, SPARK (BPR6ES) (NGK)              | 1     |                |
| 015 | 98079-56855   | PLUG, SPARK (W20EPR-U) (DENSO)          | 1     | 1122111        |
| 015 | 98079-56855   | PLUG, SPARK (W20EPR-U) (DENSO)          | 1     |                |

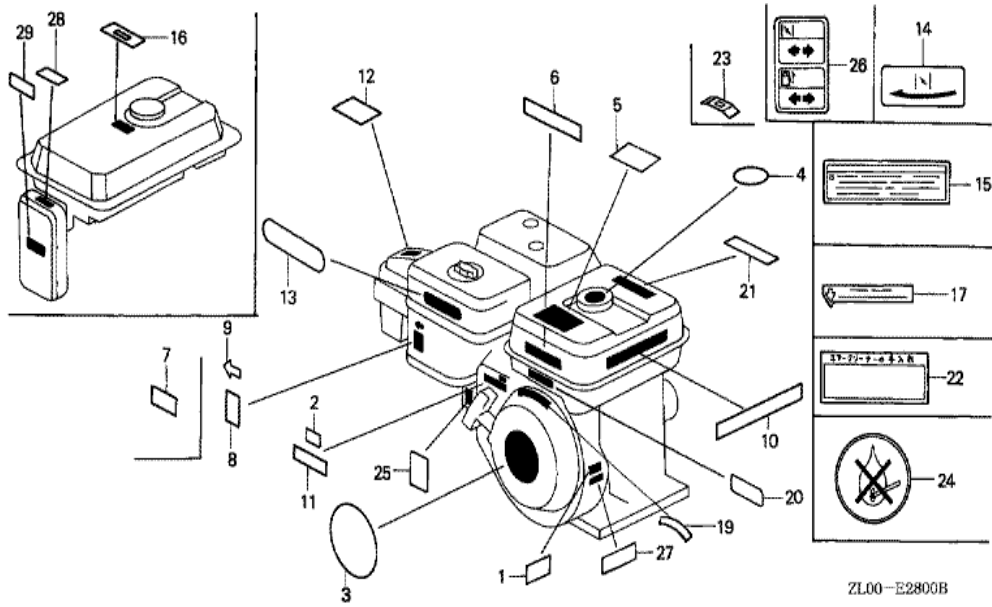




| Ref | Partnumber    | Description                              | GX200 | Serial Numbers |
|-----|---------------|--|-------|----------------|
| 001 | 30500-ZE1-043 | COIL ASSY., IGNITION                     | 1     | 1741678        |
| 001 | 30500-ZE1-043 | COIL ASSY., IGNITION                     | 1     |                |
| 002 | 30700-ZE1-013 | CAP ASSY., NOISE SUPPRESSOR (NICHIWA Y-E | 1     |                |
| 002 | 30700-ZE1-013 | CAP ASSY., NOISE SUPPRESSOR (NICHIWA Y-E | 1     |                |
| 009 | 90121-952-000 | BOLT, FLANGE, 6X25 (CT200)               | 2     |                |

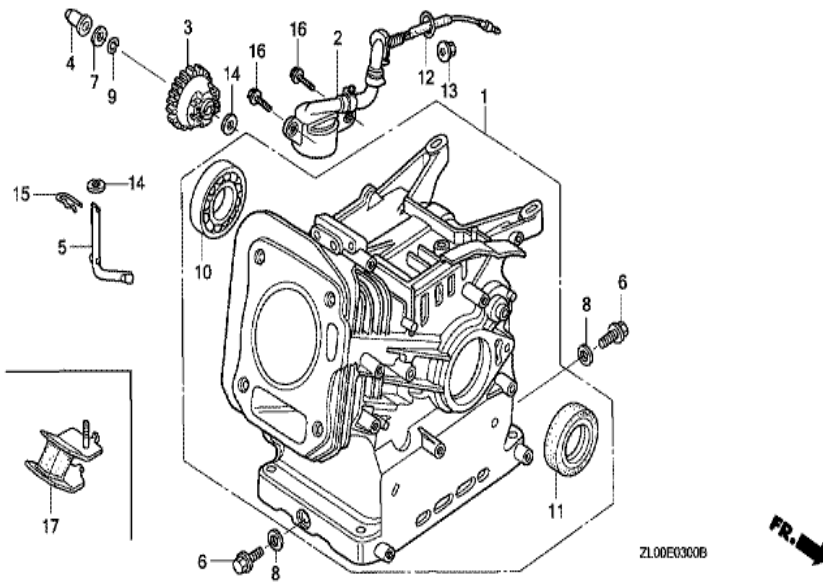


| <u>Ref</u> | <u>Partnumber</u> | <u>Description</u>         | <u>GX200</u> | <u>Serial Numbers</u> |
|------------|-------------------|----------------------------|--------------|-----------------------|
| 003        | 16551-ZL0-000     | ARM, GOVERNOR              | 1            |                       |
| 004        | 16555-ZE1-000     | ROD, GOVERNOR              | 1            |                       |
| 006        | 16561-ZL0-V30     | SPRING, GOVERNOR           | 1            | 1289083               |
| 006        | 16561-ZL0-V30     | SPRING, GOVERNOR           | 1            |                       |
| 007        | 16562-ZE1-020     | SPRING, THROTTLE RETURN    | 1            |                       |
| 014        | 16584-883-300     | SPRING, CONTROL ADJUSTING  | 1            |                       |
| 017        | 90013-883-000     | BOLT, FLANGE, 6X12 (CT200) | 2            |                       |
| 018        | 90015-ZE5-010     | BOLT, GOVERNOR ARM         | 1            |                       |
| 024        | 94050-06000       | NUT, FLANGE, 6MM           | 1            |                       |
| 029        | 16570-ZB2-000     | CONTROL ASSY.              | 1            |                       |
| 030        | 93500-050350A     | SCREW, PAN, 5X35           | 1            |                       |
| 030        | 93500-050350A     | SCREW, PAN, 5X35           | 1            |                       |
| 036        | 16599-ZG1-M10     | COLLAR, STOPPER            | (1)          |                       |
| <u>Ref</u> | <u>Partnumber</u> | <u>Description</u>         | <u>GX200</u> | <u>Serial Numbers</u> |
| 037        | 90016-ZG9-N30     | SCREW, RECESSED, 5X25      | (1)          |                       |

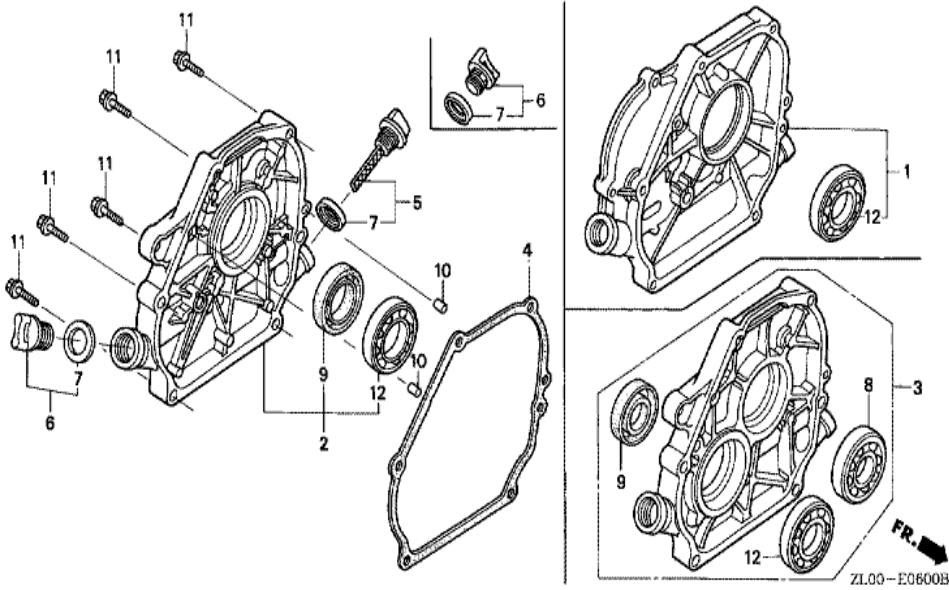


ZL00-E2800B

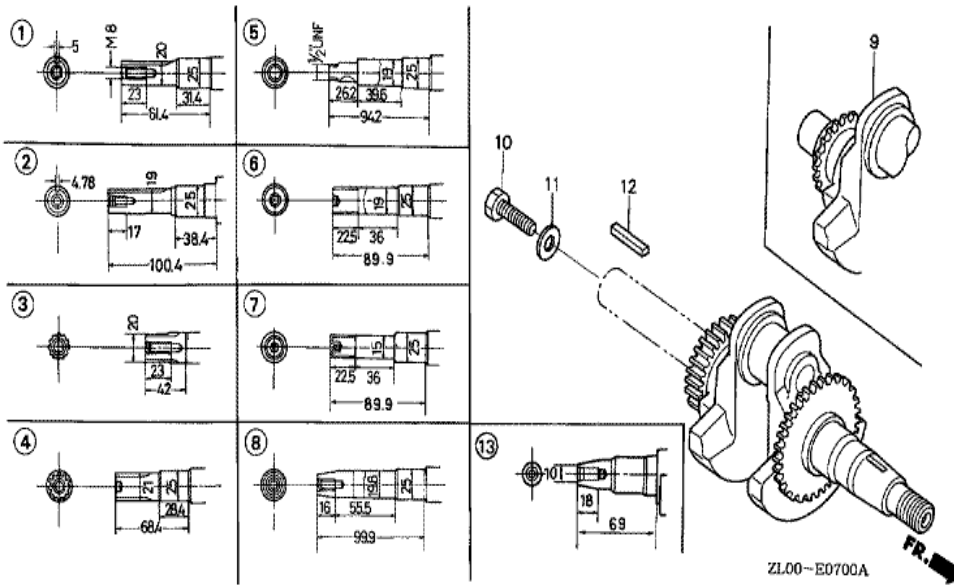
| Ref | Partnumber    | Description                              | GX200 | Serial Numbers  |
|-----|---------------|--|-------|-----------------|
| 003 | 87521-ZL0-010 | EMBLEM (6.5)                             | 1     | 1593166 1812502 |
| 003 | 87521-ZL0-010 | EMBLEM (6.5)                             | 1     | 1812502         |
| 003 | 87521-ZL0-020 | EMBLEM (6.5)                             | 1     | 1812503         |
| 003 | 87521-ZL0-020 | EMBLEM (6.5)                             | 1     | 1812503         |
| 014 | 87528-ZB2-630 | MARK, CHOKE                              | 1     |                 |
| 014 | 87528-ZB2-630 | MARK, CHOKE                              | 1     |                 |
| 020 | 87135-ZE2-010 | LABEL, E-SPEC (EPA STANDARD) (15.5X60.0) | 1     | 1000128         |
| 020 | 87135-ZE2-010 | LABEL, E-SPEC (EPA STANDARD) (15.5X60.0) | 1     |                 |
| 028 | 87528-ZB2-630 | MARK, CHOKE                              | 1     |                 |



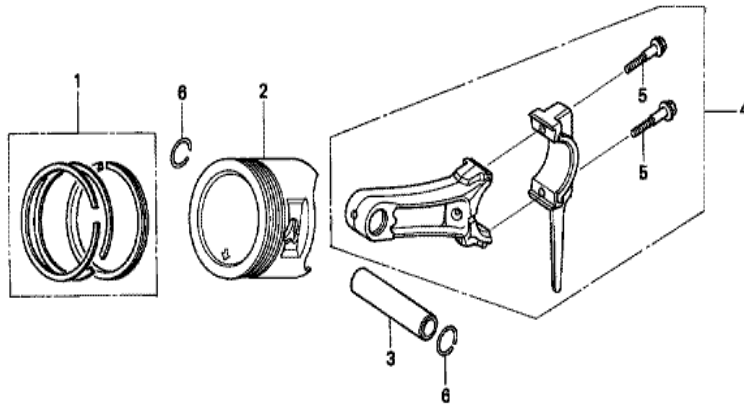
| <u>Ref</u> | <u>Partnumber</u> | <u>Description</u>                   | <u>GX200</u> | <u>Serial Numbers</u> |
|------------|-------------------|--------------------------------------|--------------|-----------------------|
| 001        | 12000-ZL0-407     | BARREL ASSY., CYLINDER               | 1            | 1853341               |
| 001        | 12000-ZL0-407     | BARREL ASSY., CYLINDER               | 1            | 1853341               |
| 001        | 12000-ZL0-417     | BARREL ASSY., CYLINDER               | 1            | 1853342               |
| 001        | 12000-ZL0-417     | BARREL ASSY., CYLINDER               | 1            | 1853342               |
| 002        | 15510-ZE1-033     | SWITCH ASSY., OIL LEVEL              | 1            |                       |
| 003        | 16506-ZL0-000     | GOVERNOR ASSY.                       | 1            |                       |
| 004        | 16531-ZE1-000     | SLIDER, GOVERNOR                     | 1            |                       |
| 005        | 16541-ZE1-000     | SHAFT, GOVERNOR ARM                  | 1            |                       |
| 006        | 90131-ZE1-000     | BOLT, DRAIN PLUG                     | 2            |                       |
| 007        | 90451-ZE1-000     | WASHER, THRUST, 6MM                  | 1            |                       |
| 008        | 90601-ZE1-000     | WASHER, DRAIN PLUG, 10.2MM           | 2            |                       |
| 009        | 90602-ZE1-000     | CLIP, GOVERNOR HOLDER                | 1            |                       |
| 010        | 91001-ZF1-003     | BEARING, RADIAL BALL (6205TMB) (NTN) | 1            |                       |
| <u>Ref</u> | <u>Partnumber</u> | <u>Description</u>                   | <u>GX200</u> | <u>Serial Numbers</u> |
| 010        | 91001-ZF1-004     | BEARING, RADIAL BALL (6205SH) (KOYO) | 1            |                       |
| 010        | 91001-ZF1-004     | BEARING, RADIAL BALL (6205SH) (KOYO) | 1            |                       |
| 011        | 91201-ZOT-801     | OIL SEAL, 25X41X6 (NOK)              | 1            | 1853342               |
| 011        | 91201-ZOT-801     | OIL SEAL, 25X41X6 (NOK)              | 1            | 1853342               |
| 011        | 91202-883-005     | OIL SEAL, 25X41X6                    | 1            | 1853341               |
| 011        | 91202-883-005     | OIL SEAL, 25X41X6                    | 1            | 1853341               |
| 012        | 91353-671-004     | O-RING, 14MM (NOK)                   | 1            |                       |
| 013        | 94050-10000       | NUT, FLANGE, 10MM                    | 1            |                       |
| 014        | 94101-06800       | WASHER, PLAIN, 6MM                   | 2            |                       |
| 015        | 94251-08000       | PIN, LOCK, 8MM                       | 1            |                       |
| 016        | 95701-0601200     | BOLT, FLANGE, 6X12                   | 2            |                       |



| <u>Ref</u> | <u>Partnumber</u> | <u>Description</u>           | <u>GX200</u> | <u>Serial Numbers</u> |
|------------|-------------------|------------------------------|--------------|-----------------------|
| 002        | 11300-ZE1-641     | COVER ASSY., CRANKCASE       | 1            | 1854346               |
| 002        | 11300-ZE1-641     | COVER ASSY., CRANKCASE       | 1            | 1854346               |
| 002        | 11300-ZE1-642     | COVER ASSY., CRANKCASE       | 1            | 1856156               |
| 002        | 11300-ZE1-642     | COVER ASSY., CRANKCASE       | 1            | 1854347               |
| 004        | 11381-ZL0-000     | PACKING, CASE COVER          | 1            |                       |
| 004        | 11381-ZL0-000     | PACKING, CASE COVER          | 1            |                       |
| 005        | 15600-ZE1-003     | CAP ASSY., OIL FILLER (GRAY) | 1            |                       |
| 006        | 15600-ZG4-003     | CAP ASSY., OIL FILLER        | 1            |                       |
| 007        | 15625-ZE1-003     | PACKING, OIL FILLER CAP      | 2            |                       |
| 009        | 91201-ZOT-801     | OIL SEAL, 25X41X6 (NOK)      | 1            | 1854327               |
| 009        | 91201-ZOT-801     | OIL SEAL, 25X41X6 (NOK)      | 1            | 1854347               |
| 009        | 91202-883-005     | OIL SEAL, 25X41X6            | 1            | 1854346               |
| 009        | 91202-883-005     | OIL SEAL, 25X41X6            | 1            | 1854346               |
| <u>Ref</u> | <u>Partnumber</u> | <u>Description</u>           | <u>GX200</u> | <u>Serial Numbers</u> |
| 010        | 94301-08140       | DOWEL PIN, 8X14              | 2            |                       |
| 011        | 95701-0803200     | BOLT, FLANGE, 8X32           | 6            |                       |
| 011        | 95701-0803200     | BOLT, FLANGE, 8X32           | 6            |                       |
| 012        | 96100-6205000     | BEARING, RADIAL BALL, 6205   | 1            |                       |



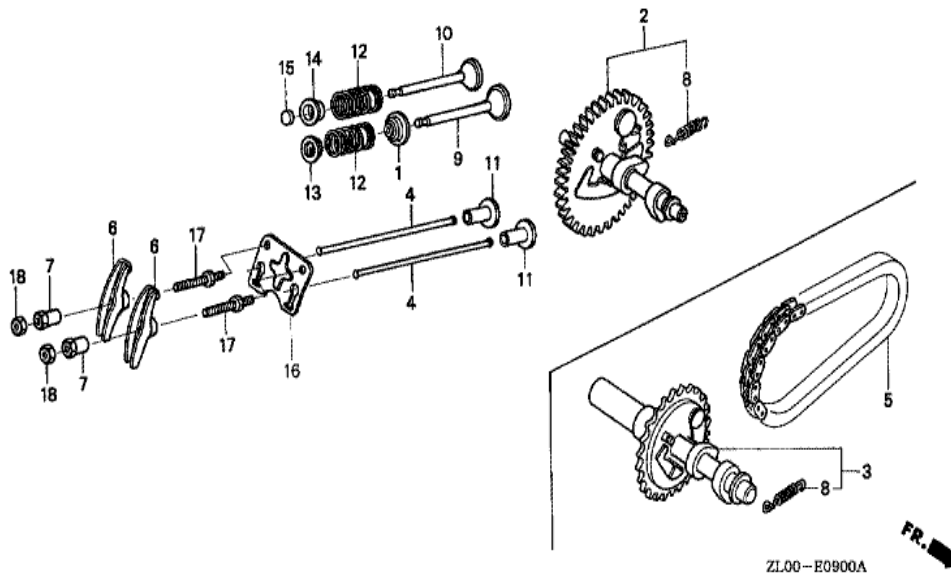
| Ref | Partnumber    | Description      | GX200 | Serial Numbers |
|-----|---------------|------------------|-------|----------------|
| 008 | 13310-ZL0-870 | CRANKSHAFT COMP. | 1     | 1843200        |
| 008 | 13310-ZL0-870 | CRANKSHAFT COMP. | 1     | 1843200        |
| 008 | 13310-ZL0-871 | CRANKSHAFT COMP. | 1     | 1843201        |
| 008 | 13310-ZL0-871 | CRANKSHAFT COMP. | 1     | 1843201        |



ZL00-E0800A



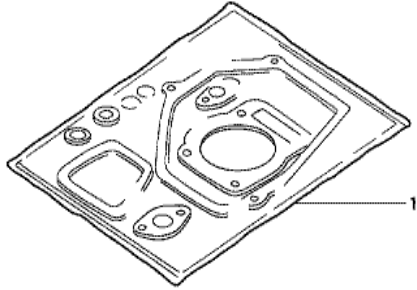
| <u>Ref</u> | <u>Partnumber</u> | <u>Description</u>                | <u>GX200</u> | <u>Serial Numbers</u> |
|------------|-------------------|-----------------------------------|--------------|-----------------------|
| 001        | 13010-ZL0-003     | RING SET, PISTON (STD.) (TEIKOKU) | 1            |                       |
| 001        | 13010-ZL0-004     | RING SET, PISTON (STD.) (NIPPON)  | 1            |                       |
| 001        | 13010-ZL0-004     | RING SET, PISTON (STD.) (NIPPON)  | 1            |                       |
| 001        | 13011-ZL0-003     | RING SET, PISTON (0.25) (TEIKOKU) | (1)          |                       |
| 001        | 13011-ZL0-003     | RING SET, PISTON (0.25) (TEIKOKU) | (1)          |                       |
| 001        | 13011-ZL0-004     | RING SET, PISTON (0.25) (NIPPON)  | (1)          |                       |
| 001        | 13011-ZL0-004     | RING SET, PISTON (0.25) (NIPPON)  | (1)          |                       |
| 001        | 13012-ZL0-003     | RING SET, PISTON (0.50) (TEIKOKU) | (1)          |                       |
| 001        | 13012-ZL0-003     | RING SET, PISTON (0.50) (TEIKOKU) | (1)          |                       |
| 001        | 13012-ZL0-004     | RING SET, PISTON (0.50) (NIPPON)  | (1)          |                       |
| 001        | 13012-ZL0-004     | RING SET, PISTON (0.50) (NIPPON)  | (1)          |                       |
| 001        | 13013-ZL0-003     | RING SET, PISTON (0.75) (TEIKOKU) | (1)          |                       |
| 001        | 13013-ZL0-003     | RING SET, PISTON (0.75) (TEIKOKU) | (1)          |                       |
| <u>Ref</u> | <u>Partnumber</u> | <u>Description</u>                | <u>GX200</u> | <u>Serial Numbers</u> |
| 001        | 13013-ZL0-004     | RING SET, PISTON (0.75) (NIPPON)  | (1)          |                       |
| 001        | 13013-ZL0-004     | RING SET, PISTON (0.75) (NIPPON)  | (1)          |                       |
| 002        | 13101-ZL0-010     | PISTON (STD.)                     | 1            |                       |
| 002        | 13102-ZL0-010     | PISTON (0.25)                     | (1)          |                       |
| 002        | 13102-ZL0-010     | PISTON (0.25)                     | (1)          |                       |
| 002        | 13103-ZL0-010     | PISTON (0.50)                     | (1)          |                       |
| 002        | 13103-ZL0-010     | PISTON (0.50)                     | (1)          |                       |
| 002        | 13104-ZL0-010     | PISTON (0.75)                     | (1)          |                       |
| 002        | 13104-ZL0-010     | PISTON (0.75)                     | (1)          |                       |
| 003        | 13111-ZE1-000     | PIN, PISTON                       | 1            |                       |
| 004        | 13200-ZE1-010     | ROD ASSY., CONNECTING (STD.)      | 1            |                       |
| 005        | 90001-ZE1-000     | BOLT, CONNECTING ROD              | 2            |                       |
| 006        | 90551-ZE1-000     | CLIP, PISTON PIN, 18MM            | 2            |                       |



ZL00-E0900A

| <u>Ref</u> | <u>Partnumber</u> | <u>Description</u>         | <u>GX200</u> | <u>Serial Numbers</u> |
|------------|-------------------|----------------------------|--------------|-----------------------|
| 001        | 12209-ZH8-003     | SEAL, VALVE STEM           | 1            |                       |
| 001        | 12209-ZH8-003     | SEAL, VALVE STEM           | 1            | 1000128               |
| 002        | 14100-ZL0-870     | CAMSHAFT ASSY.             | 1            |                       |
| 002        | 14100-ZL0-870     | CAMSHAFT ASSY.             | 1            |                       |
| 004        | 14410-ZE1-010     | ROD, PUSH                  | 2            |                       |
| 006        | 14431-ZE1-000     | ARM, VALVE ROCKER          | 2            |                       |
| 007        | 14451-ZE1-013     | PIVOT, ROCKER ARM          | 2            |                       |
| 008        | 14568-ZE1-000     | SPRING, WEIGHT RETURN      | 1            |                       |
| 009        | 14711-ZF1-000     | VALVE, IN.                 | 1            |                       |
| 010        | 14721-ZF1-000     | VALVE, EX.                 | 1            |                       |
| 010        | 14721-ZF1-000     | VALVE, EX.                 | 1            |                       |
| 011        | 14731-ZL0-000     | LIFTER, VALVE              | 2            |                       |
| 012        | 14751-ZF1-000     | SPRING, VALVE              | 2            |                       |
| <u>Ref</u> | <u>Partnumber</u> | <u>Description</u>         | <u>GX200</u> | <u>Serial Numbers</u> |
| 012        | 14751-ZF1-000     | SPRING, VALVE              | 2            |                       |
| 013        | 14771-ZE1-000     | RETAINER, IN. VALVE SPRING | 1            |                       |
| 014        | 14773-ZE1-000     | RETAINER, EX. VALVE SPRING | 1            |                       |
| 014        | 14773-ZE1-000     | RETAINER, EX. VALVE SPRING | 1            |                       |
| 015        | 14781-ZE1-000     | ROTATOR, VALVE             | 1            |                       |
| 016        | 14791-ZE1-010     | PLATE, PUSH ROD GUIDE      | 1            |                       |
| 017        | 90012-ZE0-010     | BOLT, PIVOT, 8MM           | 2            |                       |
| 018        | 90206-ZE1-000     | NUT, PIVOT ADJUSTING       | 2            |                       |





HENG-X0003

| <u>Ref</u> | <u>Partnumber</u> | <u>Description</u> | <u>GX200</u> | <u>Serial Numbers</u> |
|------------|-------------------|--------------------|--------------|-----------------------|
| 001        | 06111-ZLO-000     | GASKET KIT         | 1            |                       |