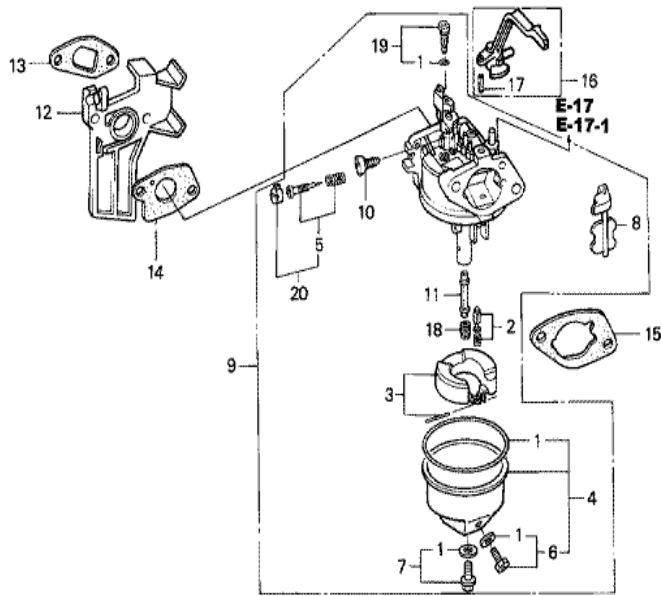


<u>Ref</u>	<u>Partnumber</u>	<u>Description</u>	<u>GX200</u>	<u>Serial Numbers</u>
001	28400-ZH8-013ZB	STARTER ASSY., RECOIL *NH1 *	1	
001	28400-ZH8-013ZB	STARTER ASSY., RECOIL *NH1 *	1	
002	28405-ZL0-000ZA	SPACER, RECOIL STARTER MOUNTING *	1	
003	28410-ZH8-003ZB	CASE COMP., RECOIL STARTER *NH1 *	1	
003	28410-ZH8-003ZB	CASE COMP., RECOIL STARTER *NH1 *	1	
004	28420-ZH8-013	REEL, RECOIL STARTER (NATURAL)	1	
005	28422-ZH8-013	RATCHET, STARTER	2	
006	28433-ZH8-003	GUIDE, RATCHET	1	
007	28441-ZH8-003	SPRING, FRICTION	1	
008	28442-ZH8-003	SPRING, RECOIL STARTER	1	
009	28443-ZH8-003	SPRING, RETURN	2	
010	28461-ZH8-003	GRIP, STARTER	1	
011	28462-ZH8-003	ROPE, RECOIL STARTER	1	
<u>Ref</u>	<u>Partnumber</u>	<u>Description</u>	<u>GX200</u>	<u>Serial Numbers</u>
012	90003-ZH8-003	SCREW, SETTING	1	
013	95701-0601800	BOLT, FLANGE, 6X18	3	
013	95701-0601800	BOLT, FLANGE, 6X18	3	



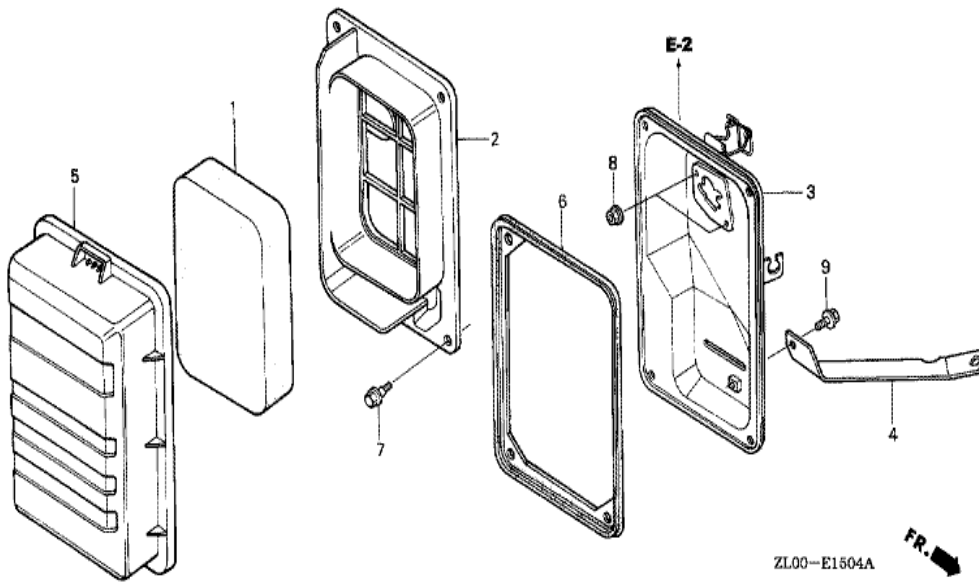
Ref	Partnumber	Description	GX200	Serial Numbers
001	16584-883-300	SPRING, CONTROL ADJUSTING	1	
002	19610-ZL0-000ZD	COVER COMP., FAN *NH1 *	1	
002	19610-ZL0-000ZD	COVER COMP., FAN *NH1 *	1	
003	19612-ZH8-820	PLATE, SIDE (LAMP)	1	1100330 1127340
003	19612-ZH8-820	PLATE, SIDE (LAMP)	1	1100330 1127340
003	19612-ZH8-820	PLATE, SIDE (LAMP)	1	1100330 1127340
003	19612-ZH8-821	PLATE, SIDE (LAMP)	1	1584579
003	19612-ZH8-821	PLATE, SIDE (LAMP)	1	1127341 1156170
003	19612-ZH8-821	PLATE, SIDE (LAMP)	1	1127341 1156170
003	19612-ZH8-830	PLATE, SIDE (ALERT & LAMP)	1	1110329
003	19612-ZH8-830	PLATE, SIDE (ALERT & LAMP)	1	1100329
003	19612-ZH8-830	PLATE, SIDE (ALERT & LAMP)	1	1100329
004	19613-ZE1-000	CLAMPER, CORD	1	

<u>Ref</u>	<u>Partnumber</u>	<u>Description</u>	<u>GX200</u>	<u>Serial Numbers</u>
004	19613-ZE1-000	CLAMPER, CORD	1	1061455
005	19620-ZL0-V30	SHROUD ASSY., UPPER	1	
006	19640-ZL0-V30	SHROUD COMP., LOWER	1	
006	19640-ZL0-V30	SHROUD COMP., LOWER	1	
007	32197-ZH8-003	SUB HARNESS	1	
007	32197-ZH8-003	SUB HARNESS	1	1061455
008	36100-ZE1-015	SWITCH ASSY., ENGINE STOP	1	1061455
008	36100-ZE1-015	SWITCH ASSY., ENGINE STOP	1	1061455
008	36100-ZH7-003	SWITCH ASSY., ENGINE STOP	1	1061456
008	36100-ZH7-003	SWITCH ASSY., ENGINE STOP	1	1061456
009	36101-ZE1-010	CORD, STOP SWITCH (370MM)	1	
009	36101-ZE1-010	CORD, STOP SWITCH (370MM)	1	
010	90013-883-000	BOLT, FLANGE, 6X12 (CT200)	4	
010	90013-883-000	BOLT, FLANGE, 6X12 (CT200)	8	
011	90022-888-010	BOLT, FLANGE, 6X20 (CT200)	1	
013	90601-ZH7-D02	CLIP, HARNESS	1	1061456
013	90601-ZH7-D02	CLIP, HARNESS	1	1061456
014	93500-050350A	SCREW, PAN, 5X35	1	
015	95701-0600800	BOLT, FLANGE, 6X8	1	
019	34150-ZH7-003	ALERT UNIT, OIL	1	
019	34150-ZH7-003	ALERT UNIT, OIL	1	1156171
021	95701-0600800	BOLT, FLANGE, 6X8	1	
021	95701-0600800	BOLT, FLANGE, 6X8	1	1156171
029	19611-ZH8-820	PLATE COMP., SIDE (ALERT & LAMP)	1	1584579
029	19611-ZH8-820	PLATE COMP., SIDE (ALERT & LAMP)	1	1156171

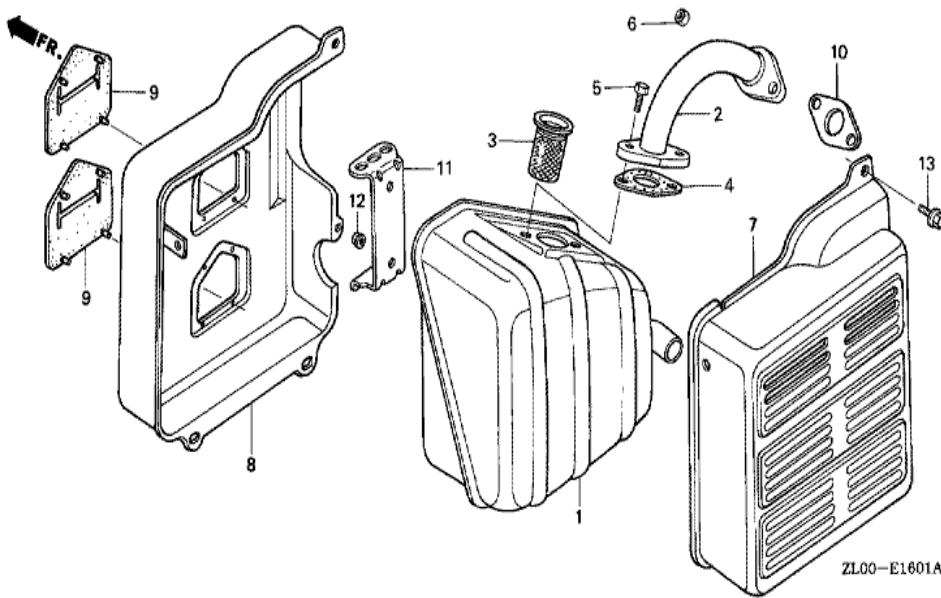


ZL00-E1402C

<u>Ref</u>	<u>Partnumber</u>	<u>Description</u>	<u>GX200</u>	<u>Serial Numbers</u>
001	16010-ZB1-015	GASKET SET	1	
002	16011-ZE0-005	VALVE SET, FLOAT	1	
003	16013-ZE0-005	FLOAT SET	1	
004	16015-ZE0-831	CHAMBER SET, FLOAT	1	
005	16016-ZE0-005	SCREW SET, PILOT	1	
006	16024-ZE1-811	SCREW SET, DRAIN	1	
007	16028-ZE0-005	SCREW SET	1	
008	16044-ZE0-005	CHOKE SET	1	
009	16100-ZL0-V31	CARBURETOR ASSY. (BE74A B)	1	
009	16100-ZL0-V31	CARBURETOR ASSY. (BE74A B)	1	
010	16124-ZE0-005	SCREW, THROTTLE STOP	1	
011	16166-ZL0-000	NOZZLE, MAIN	1	
012	16211-ZL0-000	INSULATOR, CARBURETOR	1	
<u>Ref</u>	<u>Partnumber</u>	<u>Description</u>	<u>GX200</u>	<u>Serial Numbers</u>
013	16212-ZH8-800	PACKING, INSULATOR	1	
014	16221-ZH8-801	PACKING, CARBURETOR	1	
015	16269-ZE1-800	PACKING, AIR CLEANER	1	
016	16610-ZB2-000	LEVER COMP., CHOKE	1	
017	94305-20122	PIN, SPRING, 2X12	1	
018	99101-ZH80720	JET, MAIN, #72	(1)	
018	99101-ZH80750	JET, MAIN, #75	(1)	
018	99101-ZH80750	JET, MAIN, #75	(1)	
018	99101-ZH80780	JET, MAIN, #78	1	
018	99101-ZH80780	JET, MAIN, #78	1	
019	99204-ZE20400	JET SET, PILOT, #40	1	

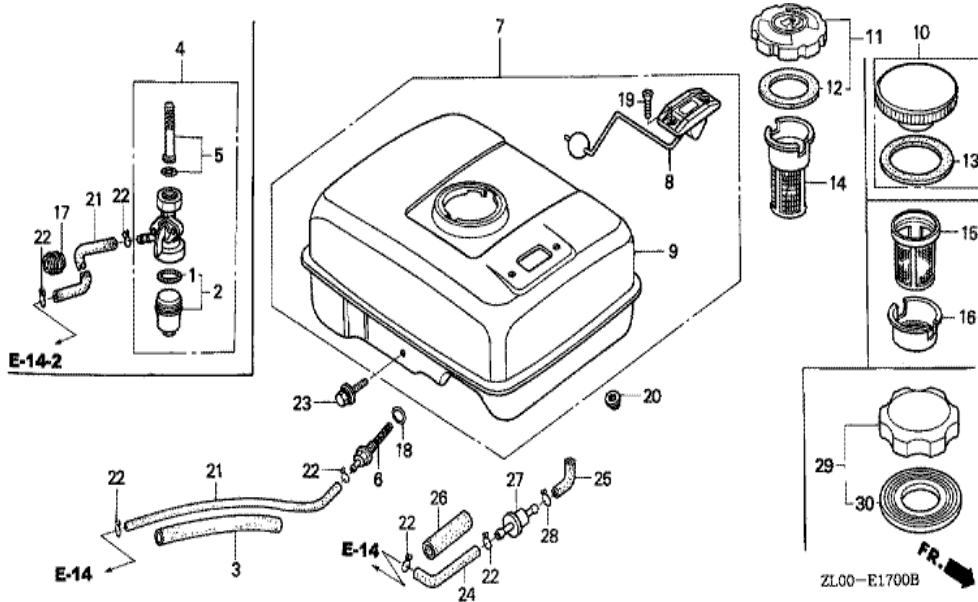


Ref	Partnumber	Description	GX200	Serial Numbers
001	17211-ZB2-000	ELEMENT, AIR CLEANER	1	
002	17212-ZB2-000	SEPARATOR, AIR CLEANER	1	
003	17220-ZB2-000	CASE COMP., AIR CLEANER	1	
004	17222-ZL0-V30	STAY, AIR CLEANER	1	
005	17231-ZB2-000	COVER, AIR CLEANER	1	
006	17252-ZB2-000	SEAL, AIR CLEANER	1	
007	90115-459-770	BOLT, WINKER SETTING	4	
008	94050-06080	NUT, FLANGE, 6MM	2	
009	95701-0601000	BOLT, FLANGE, 6X10	1	

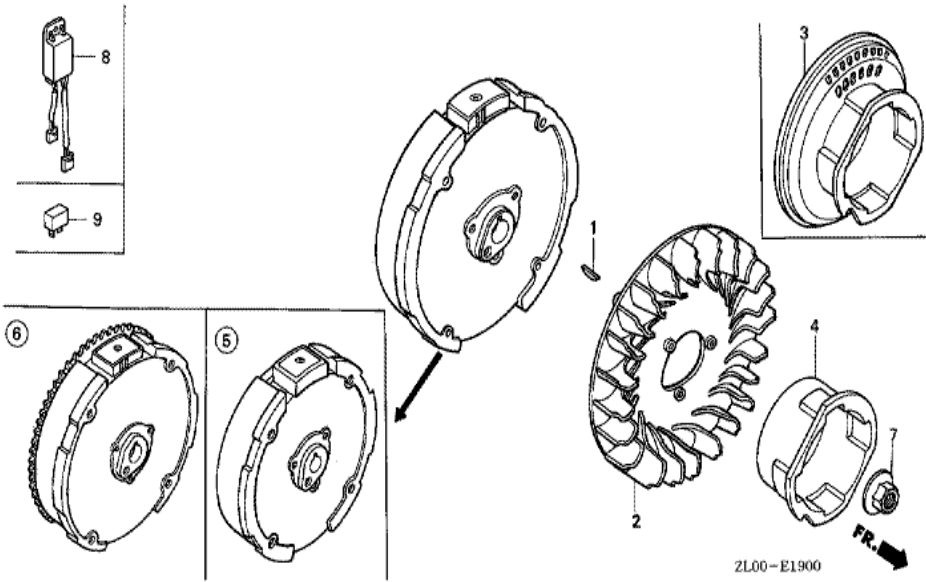


ZL00-E1801A

<u>Ref</u>	<u>Partnumber</u>	<u>Description</u>	<u>GX200</u>	<u>Serial Numbers</u>
001	18310-ZB3-C00	MUFFLER COMP.	1	
004	18381-ZE1-800	GASKET, MUFFLER	1	
005	92101-080200A	BOLT, HEX., 8X20	2	
006	94001-080000S	NUT, HEX., 8MM	2	
006	94001-080000S	NUT, HEX., 8MM	2	1044773
007	18320-ZB2-000	PROTECTOR, MUFFLER OUTER	1	1033573
007	18320-ZL0-V30	PROTECTOR, MUFFLER OUTER	1	1033572
007	18320-ZL0-V30	PROTECTOR, MUFFLER OUTER	1	1033572
008	18325-ZH8-T90	PROTECTOR, MUFFLER INNER (DENYO)	1	
008	18325-ZH8-T90	PROTECTOR, MUFFLER INNER (DENYO)	1	1033573
008	18325-ZL0-V30	PROTECTOR, MUFFLER INNER	1	1033572
008	18325-ZL0-V30	PROTECTOR, MUFFLER INNER	1	1033572
008	18325-ZL0-V30	PROTECTOR, MUFFLER INNER	1	1033572
<u>Ref</u>	<u>Partnumber</u>	<u>Description</u>	<u>GX200</u>	<u>Serial Numbers</u>
009	18329-ZB2-000	SEAL, MUFFLER PROTECTOR	2	
010	18381-ZH8-800	GASKET, MUFFLER	1	
013	95701-0601200	BOLT, FLANGE, 6X12	5	
013	95701-0601200	BOLT, FLANGE, 6X12	5	1047969



Ref	Partnumber	Description	GX200	Serial Numbers
001	16080-898-631	PACKING SET, COCK	1	
002	16081-471-831	CUP, FUEL STRAINER	1	
004	16950-898-632	COCK ASSY., FUEL	1	1732010
004	16950-898-633	COCK ASSY., FUEL	1	1732011
005	16952-883-005	SCREEN SET	1	1732010
005	16952-GG2-731	SCREEN SET	1	1732011
017	90854-ZB2-000	RUBBER, FUEL (9X15X10)	1	1110709
017	90854-ZB3-000	RUBBER, FUEL (9X15X20)	1	1110710
017	90854-ZB3-000	RUBBER, FUEL (9X15X20)	1	1110710
021	95001-4514040	TUBE, FUEL, 4.5X140 (95001-45001-60M)	1	1044774
021	95001-4515540	TUBE, FUEL, 4.5X155 (95001-45001-60M)	1	1044773
021	95001-4515540	TUBE, FUEL, 4.5X155 (95001-45001-60M)	1	1044773
022	95002-02080	CLIP, TUBE (B8)	2	



Ref	Partnumber	Description	GX200	Serial Numbers
001	13331-357-000	KEY, SPECIAL WOODRUFF, 25X18	1	
002	19511-ZE1-000	FAN, COOLING	1	
004	28451-ZL0-000	PULLEY, STARTER	1	
004	28451-ZL0-000	PULLEY, STARTER	1	
005	31110-ZL0-811	FLYWHEEL COMP. (LAMP)	1	1080844
005	31110-ZL0-811	FLYWHEEL COMP. (LAMP)	1	
007	90201-878-003	NUT, SPECIAL, 14MM	1	





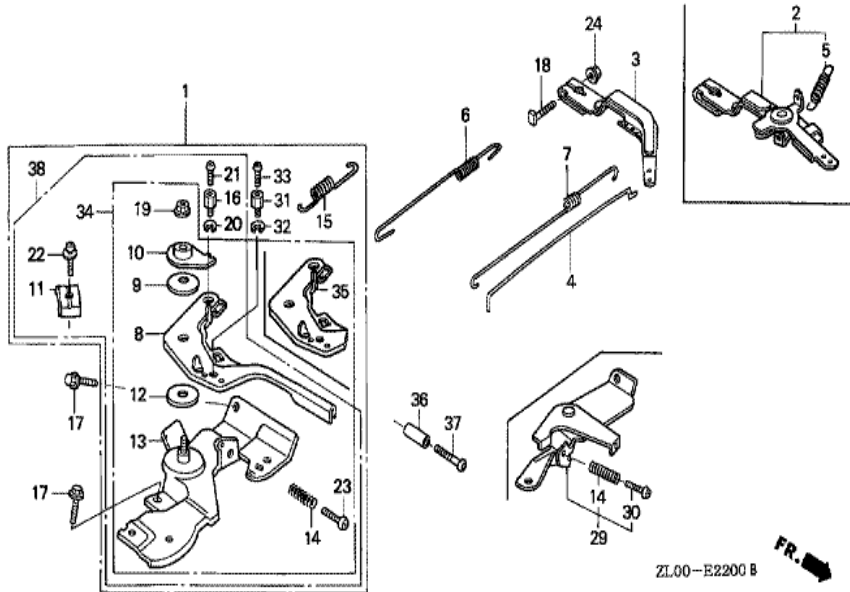
Ref	Partnumber	Description	GX200	Serial Numbers
001	12204-ZE1-306	GUIDE, IN. VALVE (OS)	(1)	
002	12205-ZE1-315	GUIDE, EX. VALVE (OS)	(1)	
003	12210-ZL0-405	HEAD COMP., CYLINDER	1	
004	12216-ZE5-300	CLIP, VALVE GUIDE	1	
005	12251-ZL0-003	GASKET, CYLINDER HEAD (NIPPON LEAKLESS)	1	
006	12310-ZE1-010	COVER COMP., HEAD	1	1627995
006	12310-ZE1-010	COVER COMP., HEAD	1	1627996
006	12310-ZE1-020	COVER COMP., HEAD	1	1627996
006	12310-ZE1-020	COVER COMP., HEAD	1	1627996
007	12391-ZE1-000	PACKING, HEAD COVER	1	
008	15721-883-030	TUBE, BREATHER	1	
009	90013-883-000	BOLT, FLANGE, 6X12 (CT200)	4	
010	90043-ZB2-003	BOLT, STUD, 6X94	2	
<u>Ref</u>	<u>Partnumber</u>	<u>Description</u>	<u>GX200</u>	<u>Serial Numbers</u>
010	90043-ZB2-003	BOLT, STUD, 6X94	2	
011	90047-ZE1-000	BOLT, STUD, 8X32	2	
012	94301-10160	DOWEL PIN, 10X16	2	
014	95723-0806000	BOLT, FLANGE, 8X60	4	
015	98079-56841	PLUG, SPARK (BP6ES) (NGK)	1	1122110
015	98079-56841	PLUG, SPARK (BP6ES) (NGK)	1	
015	98079-56854	PLUG, SPARK (W20EP-U) (DENSO)	1	1267448
015	98079-56854	PLUG, SPARK (W20EP-U) (DENSO)	1	



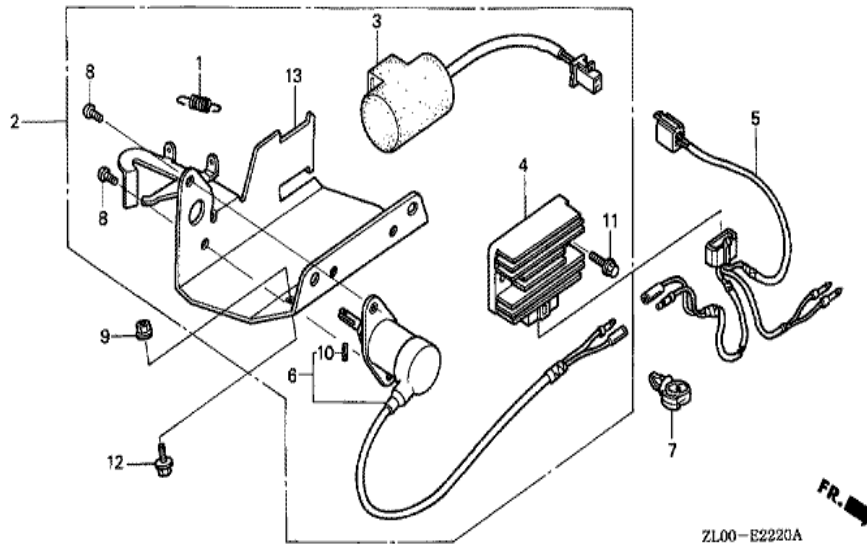
ZL00-E2000A



Ref	Partnumber	Description	GX200	Serial Numbers
001	30500-ZE1-033	COIL ASSY., IGNITION	1	
002	30600-ZE1-013	TERMINAL ASSY., HIGH TENSION (NICHIIWA Y-	1	
003	31630-ZL0-V31	COIL ASSY., CHARGE	1	
003	31630-ZL0-V31	COIL ASSY., CHARGE	1	
004	31511-ZE1-000	CLAMPER, CORD	1	
005	31512-ZE1-000	GROMMET, CORD	1	
007	90015-883-000	BOLT, FLANGE, 6X28 (CT200)	2	
007	90015-883-000	BOLT, FLANGE, 6X28 (CT200)	4	
008	90019-883-000	BOLT, FLANGE, 5X10	1	
009	90121-952-000	BOLT, FLANGE, 6X25 (CT200)	2	



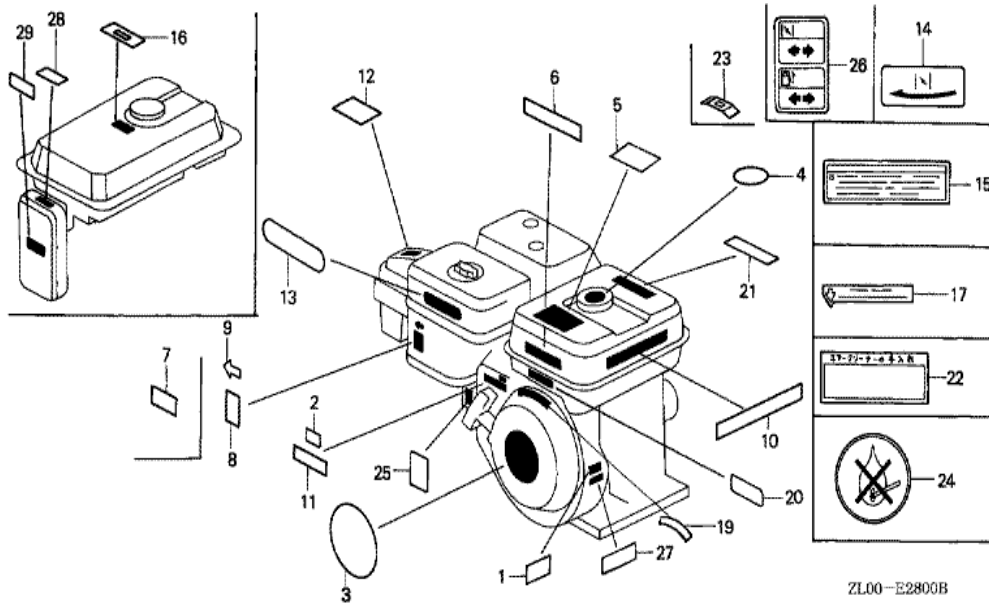
Ref	Partnumber	Description	GX200	Serial Numbers
002	16550-ZL0-V30	ARM COMP., GOVERNOR	1	
004	16555-ZL0-V30	ROD, GOVERNOR	1	
004	16555-ZL0-V30	ROD, GOVERNOR	1	
005	16559-ZL0-V30	SPRING, GOVERNOR ARM RETURN	1	
006	16561-ZL0-V30	SPRING, GOVERNOR	1	1289083
006	16561-ZL0-V30	SPRING, GOVERNOR	1	
007	16562-ZL0-V30	SPRING, THROTTLE RETURN	1	
007	16562-ZL0-V30	SPRING, THROTTLE RETURN	1	
018	90015-ZE5-010	BOLT, GOVERNOR ARM	1	
024	94050-06000	NUT, FLANGE, 6MM	1	



ZL00-E2220A

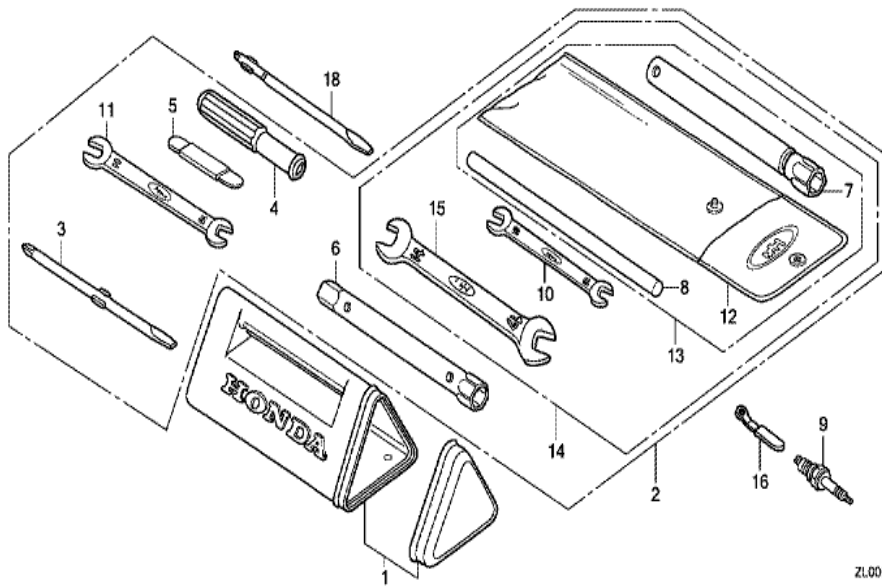


Ref	Partnumber	Description	GX200	Serial Numbers
001	16268-893-000	SPRING, CHOKE RETURN	1	
002	16270-ZL0-V30	THROTTLE ASSY., AUTO	1	
003	31700-KAE-871	CONDENSER UNIT	1	
004	31750-ZL0-V31	RECTIFIER ASSY., REGULATOR	1	
005	32110-ZL0-V30	SUB HARNESS ASSY.	1	
006	36330-ZL0-V31	SOLENOID ASSY., AUTO THROTTLE	1	
007	90683-SAO-003	CLIP, WIRE HARNESS, 25MM	2	
008	93500-050080A	SCREW, PAN, 5X8	2	
009	94050-06000	NUT, FLANGE, 6MM	2	
010	94305-20062	PIN, SPRING, 2X6	1	
011	95701-0601600	BOLT, FLANGE, 6X16	2	
012	95701-0602500	BOLT, FLANGE, 6X25	2	
013	16273-ZL0-V30	LEVER, SOLENOID THROTTLE	1	



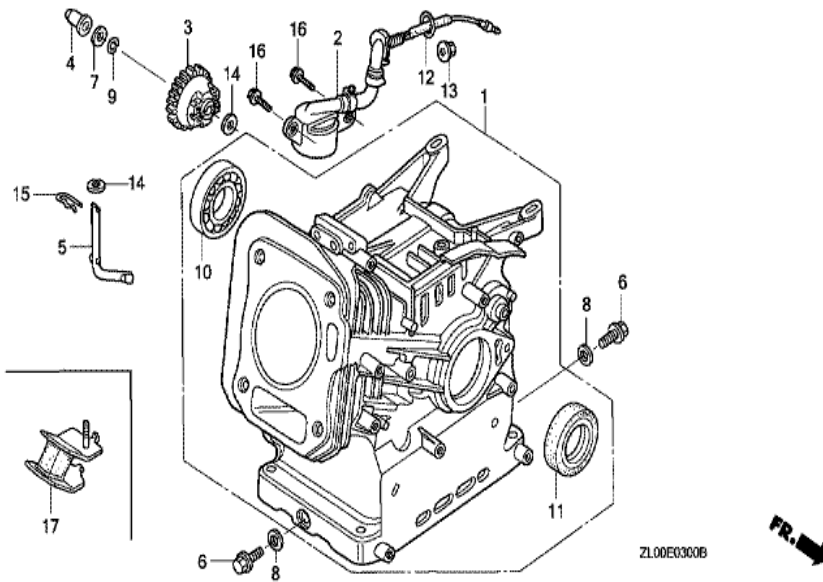
ZL00-E2800B

Ref	Partnumber	Description	GX200	Serial Numbers
001	87152-ZL0-000	LABEL, SPECIFICATION (INTERNAL)	1	1740594
001	87152-ZL0-010	LABEL, SPECIFICATION	1	1740595
003	87521-ZL0-000	EMBLEM	1	
003	87521-ZL0-000	EMBLEM	1	
006	87520-ZH8-000	MARK A, COMBINATION (JAPANESE)	1	1044773
006	87520-ZH8-000	MARK A, COMBINATION (JAPANESE)	1	1044773
014	87528-ZB2-000	MARK, CHOKE	1	
021	87526-ZH8-000	MARK B, COMBINATION (JAPANESE)	1	
021	87526-ZH8-000	MARK B, COMBINATION (JAPANESE)	1	1044773
022	87533-ZA7-000	MARK, AIR CLEANER	1	

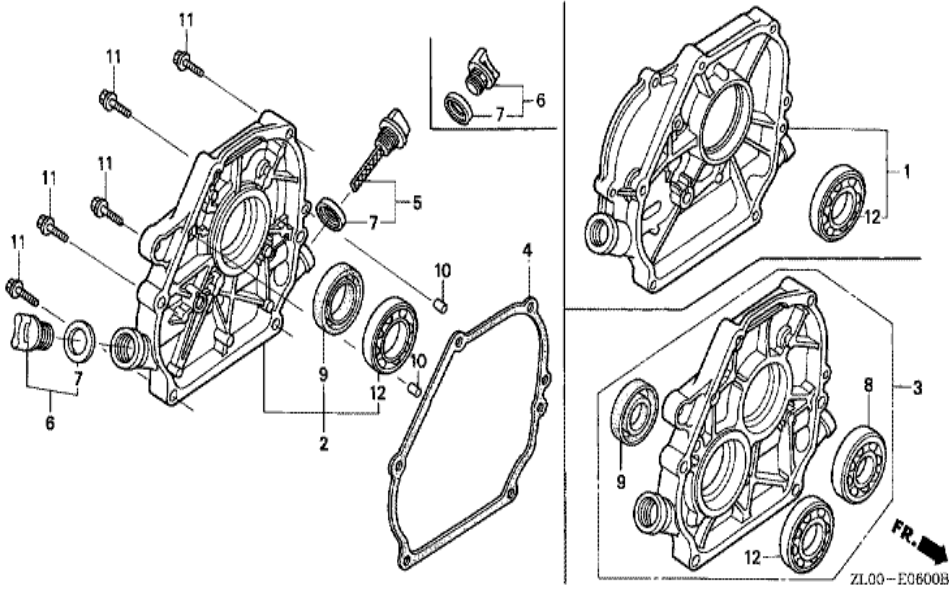


ZL00E2900B

Ref	Partnumber	Description	GX200	Serial Numbers
007	89218-ZE1-000	WRENCH COMP., SPARK PLUG	(1)	
007	89218-ZE1-000	WRENCH COMP., SPARK PLUG	1	1106038
007	99004-21001	WRENCH, BOX (P21)	1	1106039
007	99004-21001	WRENCH, BOX (P21)	1	1106039
008	89219-805-000	HANDLE, BOX WRENCH	1	
008	89219-805-000	HANDLE, BOX WRENCH	1	1106038
010	99001-10120	SPANNER, 10X12	1	
010	99001-10120	SPANNER, 10X12	1	1106038
012	99008-02300	BAG, TOOL, 230MM	1	1383993
012	99008-02300	BAG, TOOL, 230MM	1	1106038
014	89000-ZL0-V30	TOOL KIT (###)	1	1106038
015	99001-14170	SPANNER, 14X17	1	
015	99001-14170	SPANNER, 14X17	1	1106038

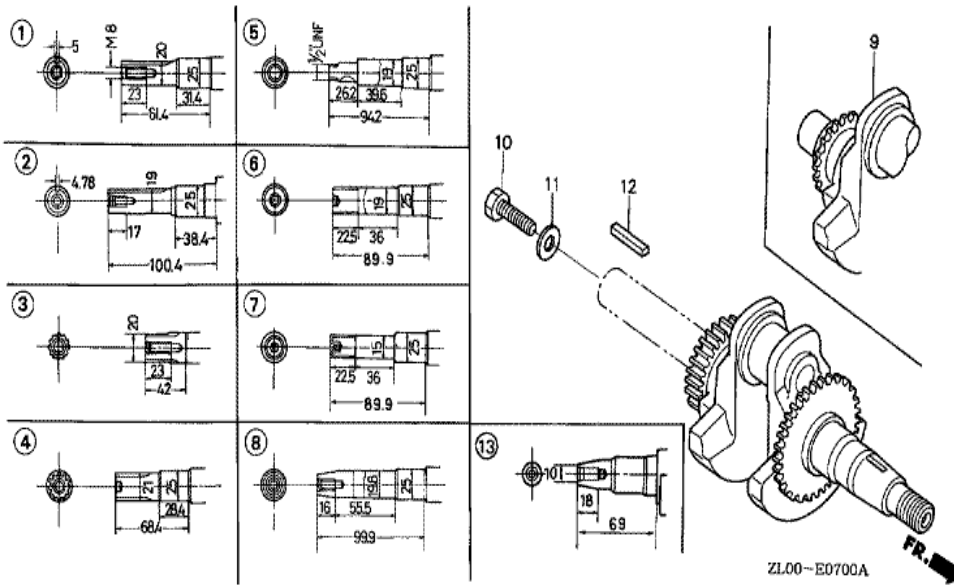


<u>Ref</u>	<u>Partnumber</u>	<u>Description</u>	<u>GX200</u>	<u>Serial Numbers</u>
001	12000-ZL0-407	BARREL ASSY., CYLINDER	1	1853341
001	12000-ZL0-407	BARREL ASSY., CYLINDER	1	1853341
001	12000-ZL0-417	BARREL ASSY., CYLINDER	1	1853342
001	12000-ZL0-417	BARREL ASSY., CYLINDER	1	1853342
002	15510-ZE1-033	SWITCH ASSY., OIL LEVEL	1	
003	16506-ZL0-000	GOVERNOR ASSY.	1	
004	16531-ZE1-000	SLIDER, GOVERNOR	1	
005	16541-ZE1-000	SHAFT, GOVERNOR ARM	1	
006	90131-ZE1-000	BOLT, DRAIN PLUG	2	
007	90451-ZE1-000	WASHER, THRUST, 6MM	1	
008	90601-ZE1-000	WASHER, DRAIN PLUG, 10.2MM	2	
009	90602-ZE1-000	CLIP, GOVERNOR HOLDER	1	
010	91001-ZF1-003	BEARING, RADIAL BALL (6205TMB) (NTN)	1	
<u>Ref</u>	<u>Partnumber</u>	<u>Description</u>	<u>GX200</u>	<u>Serial Numbers</u>
010	91001-ZF1-004	BEARING, RADIAL BALL (6205SH) (KOYO)	1	
010	91001-ZF1-004	BEARING, RADIAL BALL (6205SH) (KOYO)	1	
011	91201-ZOT-801	OIL SEAL, 25X41X6 (NOK)	1	1853342
011	91201-ZOT-801	OIL SEAL, 25X41X6 (NOK)	1	1853342
011	91202-883-005	OIL SEAL, 25X41X6	1	1853341
011	91202-883-005	OIL SEAL, 25X41X6	1	1853341
012	91353-671-004	O-RING, 14MM (NOK)	1	
013	94050-10000	NUT, FLANGE, 10MM	1	
014	94101-06800	WASHER, PLAIN, 6MM	2	
015	94251-08000	PIN, LOCK, 8MM	1	
016	95701-0601200	BOLT, FLANGE, 6X12	2	

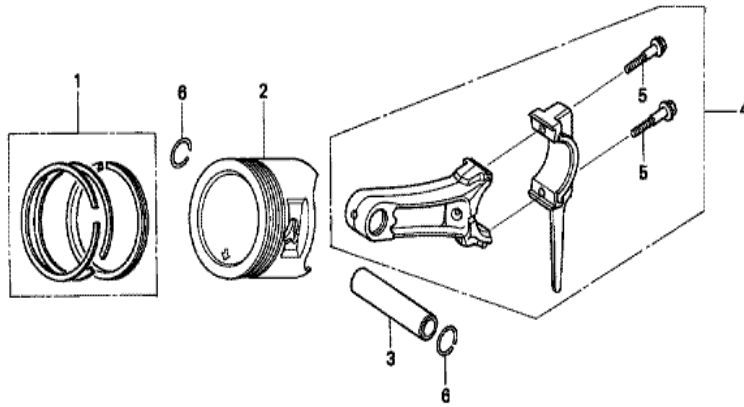


<u>Ref</u>	<u>Partnumber</u>	<u>Description</u>	<u>GX200</u>	<u>Serial Numbers</u>
002	11300-ZE1-633	COVER ASSY., CRANKCASE	1	1854326
002	11300-ZE1-633	COVER ASSY., CRANKCASE	1	1854326
002	11300-ZE1-634	COVER ASSY., CRANKCASE	1	1854327
002	11300-ZE1-634	COVER ASSY., CRANKCASE	1	1854327
004	11381-ZL0-000	PACKING, CASE COVER	1	
004	11381-ZL0-000	PACKING, CASE COVER	1	
005	15600-ZE1-003	CAP ASSY., OIL FILLER (GRAY)	1	
006	15600-ZG4-003	CAP ASSY., OIL FILLER	1	
007	15625-ZE1-003	PACKING, OIL FILLER CAP	2	
009	91201-Z0T-801	OIL SEAL, 25X41X6 (NOK)	1	1854327
009	91202-883-005	OIL SEAL, 25X41X6	1	1854346
009	91202-883-005	OIL SEAL, 25X41X6	1	1854326
010	94301-08140	DOWEL PIN, 8X14	2	
<u>Ref</u>	<u>Partnumber</u>	<u>Description</u>	<u>GX200</u>	<u>Serial Numbers</u>
011	95701-0803200	BOLT, FLANGE, 8X32	6	
011	95701-0803200	BOLT, FLANGE, 8X32	6	
012	96100-6205000	BEARING, RADIAL BALL, 6205	1	





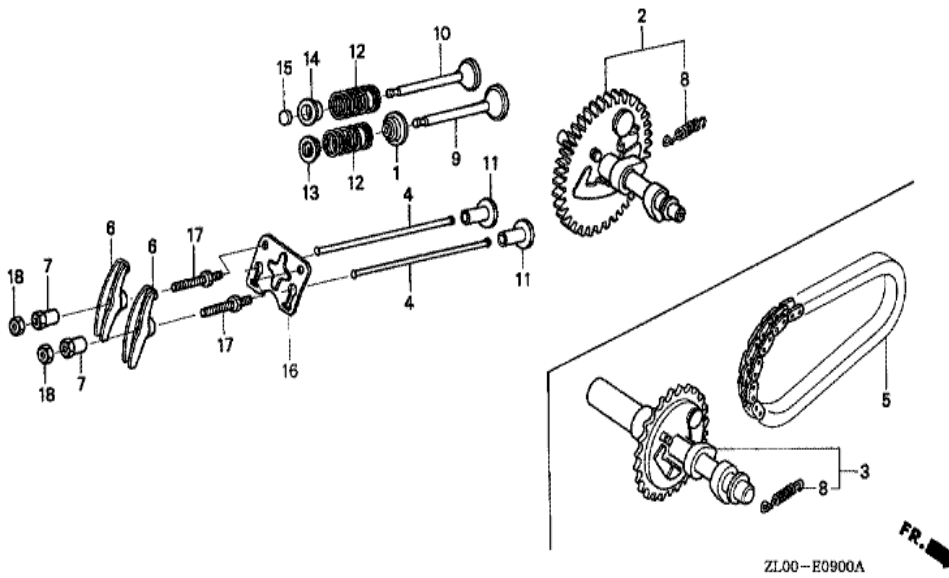
Ref	Partnumber	Description	GX200	Serial Numbers
013	13310-ZLO-A00	CRANKSHAFT COMP.	1	1844018
013	13310-ZLO-A01	CRANKSHAFT COMP.	1	1844019



ZL00-E0800A



<u>Ref</u>	<u>Partnumber</u>	<u>Description</u>	<u>GX200</u>	<u>Serial Numbers</u>
001	13010-ZL0-003	RING SET, PISTON (STD.) (TEIKOKU)	1	
001	13010-ZL0-004	RING SET, PISTON (STD.) (NIPPON)	1	
001	13010-ZL0-004	RING SET, PISTON (STD.) (NIPPON)	1	
001	13011-ZL0-003	RING SET, PISTON (0.25) (TEIKOKU)	(1)	
001	13011-ZL0-003	RING SET, PISTON (0.25) (TEIKOKU)	(1)	
001	13011-ZL0-004	RING SET, PISTON (0.25) (NIPPON)	(1)	
001	13011-ZL0-004	RING SET, PISTON (0.25) (NIPPON)	(1)	
001	13012-ZL0-003	RING SET, PISTON (0.50) (TEIKOKU)	(1)	
001	13012-ZL0-003	RING SET, PISTON (0.50) (TEIKOKU)	(1)	
001	13012-ZL0-004	RING SET, PISTON (0.50) (NIPPON)	(1)	
001	13012-ZL0-004	RING SET, PISTON (0.50) (NIPPON)	(1)	
001	13013-ZL0-003	RING SET, PISTON (0.75) (TEIKOKU)	(1)	
001	13013-ZL0-003	RING SET, PISTON (0.75) (TEIKOKU)	(1)	
<u>Ref</u>	<u>Partnumber</u>	<u>Description</u>	<u>GX200</u>	<u>Serial Numbers</u>
001	13013-ZL0-004	RING SET, PISTON (0.75) (NIPPON)	(1)	
001	13013-ZL0-004	RING SET, PISTON (0.75) (NIPPON)	(1)	
002	13101-ZL0-010	PISTON (STD.)	1	
002	13102-ZL0-010	PISTON (0.25)	(1)	
002	13102-ZL0-010	PISTON (0.25)	(1)	
002	13103-ZL0-010	PISTON (0.50)	(1)	
002	13103-ZL0-010	PISTON (0.50)	(1)	
002	13104-ZL0-010	PISTON (0.75)	(1)	
002	13104-ZL0-010	PISTON (0.75)	(1)	
003	13111-ZE1-000	PIN, PISTON	1	
004	13200-ZE1-010	ROD ASSY., CONNECTING (STD.)	1	
005	90001-ZE1-000	BOLT, CONNECTING ROD	2	
006	90551-ZE1-000	CLIP, PISTON PIN, 18MM	2	



<u>Ref</u>	<u>Partnumber</u>	<u>Description</u>	<u>GX200</u>	<u>Serial Numbers</u>
001	12209-ZH8-003	SEAL, VALVE STEM	1	1000128
001	12209-ZH8-003	SEAL, VALVE STEM	1	1646761
001	12209-ZL0-003	SEAL, VALVE STEM	1	1646760
001	12209-ZL0-003	SEAL, VALVE STEM	1	1646760
002	14100-ZL0-000	CAMSHAFT ASSY.	1	
004	14410-ZE1-010	ROD, PUSH	2	
006	14431-ZE1-000	ARM, VALVE ROCKER	2	
007	14451-ZE1-013	PIVOT, ROCKER ARM	2	
008	14568-ZE1-000	SPRING, WEIGHT RETURN	1	
009	14711-ZF1-000	VALVE, IN.	1	
010	14721-ZF1-000	VALVE, EX.	1	
010	14721-ZF1-000	VALVE, EX.	1	
011	14731-ZL0-000	LIFTER, VALVE	2	
<u>Ref</u>	<u>Partnumber</u>	<u>Description</u>	<u>GX200</u>	<u>Serial Numbers</u>
012	14751-ZF1-000	SPRING, VALVE	2	
012	14751-ZF1-000	SPRING, VALVE	2	
013	14771-ZE1-000	RETAINER, IN. VALVE SPRING	1	
014	14773-ZE1-000	RETAINER, EX. VALVE SPRING	1	
014	14773-ZE1-000	RETAINER, EX. VALVE SPRING	1	
015	14781-ZE1-000	ROTATOR, VALVE	1	
016	14791-ZE1-010	PLATE, PUSH ROD GUIDE	1	
017	90012-ZE0-010	BOLT, PIVOT, 8MM	2	
018	90206-ZE1-000	NUT, PIVOT ADJUSTING	2	



HENG-X0003

<u>Ref</u>	<u>Partnumber</u>	<u>Description</u>	<u>GX200</u>	<u>Serial Numbers</u>
001	06111-ZLO-000	GASKET KIT	1	