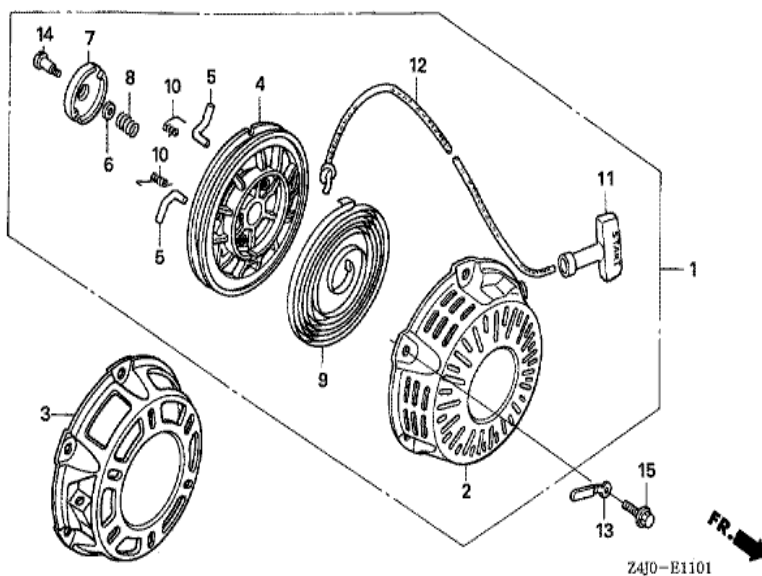


GX160U1(QWA4)

E-11-1 RECOIL STARTER (2)

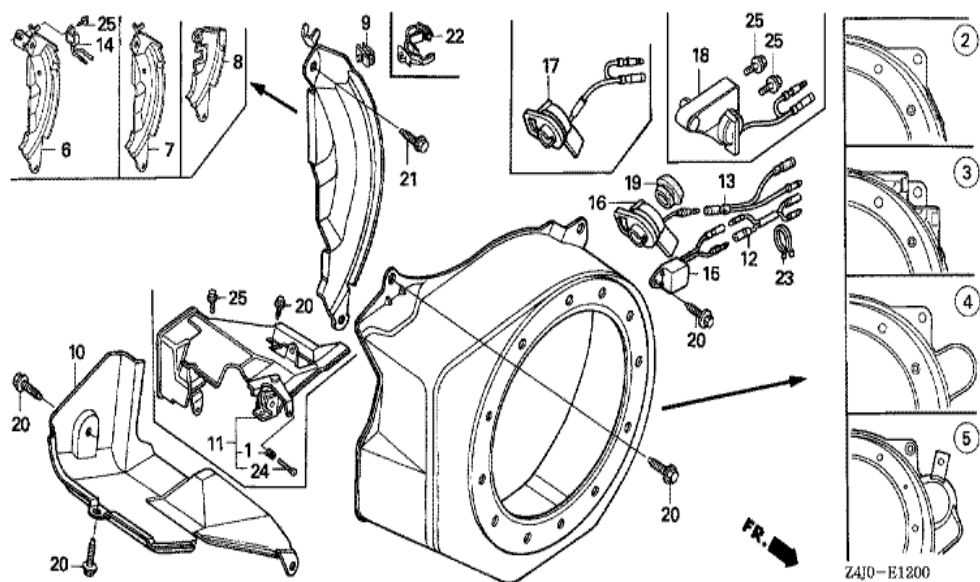


Z4J0-E1101

| <u>Ref</u> | <u>Partnumber</u> | <u>Description</u> | <u>GX160U1</u> | <u>Serial Numbers</u> |
|------------|-------------------|------------------------------------|----------------|-----------------------|
| 001 | 28400-ZH8-023YA | STARTER ASSY., RECOIL *R280 * | 1 | |
| 001 | 28400-ZH8-023ZB | STARTER ASSY., RECOIL *NH1 * | 1 | |
| 001 | 28400-ZH8-023ZB | STARTER ASSY., RECOIL *NH1 * | 1 | |
| 002 | 28410-ZH8-003YA | CASE COMP., RECOIL STARTER *R280 * | 1 | |
| 002 | 28410-ZH8-003ZB | CASE COMP., RECOIL STARTER *NH1 * | 1 | |
| 002 | 28410-ZH8-003ZB | CASE COMP., RECOIL STARTER *NH1 * | 1 | |
| 004 | 28421-ZH8-801 | REEL, RECOIL STARTER (BLACK) | 1 | |
| 005 | 28422-ZH8-801 | RATCHET, STARTER | 2 | |
| 006 | 28431-ZH8-801 | PLATE, FRICTION | 1 | |
| 007 | 28433-ZH8-801 | GUIDE, RATCHET | 1 | |
| 008 | 28441-ZH8-801 | SPRING, FRICTION | 1 | |
| 009 | 28442-ZH8-003 | SPRING, RECOIL STARTER | 1 | |
| 010 | 28443-ZH8-801 | SPRING, RETURN | 2 | |
| <u>Ref</u> | <u>Partnumber</u> | <u>Description</u> | <u>GX160U1</u> | <u>Serial Numbers</u> |
| 011 | 28461-ZH8-003 | GRIP, STARTER | 1 | |
| 012 | 28462-ZH8-003 | ROPE, RECOIL STARTER | 1 | |
| 014 | 90003-ZH8-801 | SCREW, SETTING | 1 | |
| 015 | 90008-ZE2-003 | BOLT, FLANGE, 6X10 | 3 | |

GX160U1(QWA4)

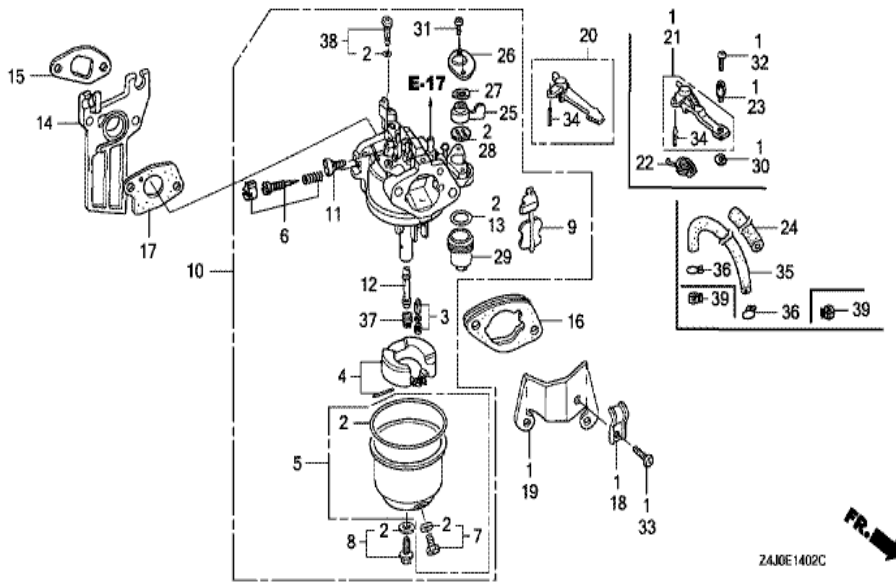
E-12 FAN COVER



| Ref | Partnumber | Description | GX160U1 | Serial Numbers |
|-----|-----------------|-------------------------------|---------|----------------|
| 002 | 19610-ZE1-000ZC | COVER COMP., FAN *NH1 * | 1 | 1120542 |
| 002 | 19610-ZE1-000ZC | COVER COMP., FAN *NH1 * | 1 | 1120542 |
| 002 | 19610-ZE1-000ZP | COVER COMP., FAN *R280 * | 1 | 1120542 |
| 002 | 19610-ZE1-000ZP | COVER COMP., FAN *R280 * | 1 | 1120542 |
| 002 | 19610-ZE1-010ZC | COVER COMP., FAN *NH1 * | 1 | 1120543 |
| 002 | 19610-ZE1-010ZC | COVER COMP., FAN *NH1 * | 1 | 1120543 |
| 002 | 19610-ZE1-010ZP | COVER COMP., FAN *R280 * | 1 | 1120543 |
| 002 | 19610-ZE1-010ZP | COVER COMP., FAN *R280 * | 1 | 1120543 |
| 006 | 19611-ZH8-810 | PLATE COMP., SIDE (OIL ALERT) | 1 | |
| 010 | 19630-ZH8-000 | SHROUD COMP. | 1 | |
| 010 | 19630-ZH8-000 | SHROUD COMP. | 1 | |
| 014 | 34150-ZH7-003 | ALERT UNIT, OIL | 1 | |
| 014 | 34150-ZH7-003 | ALERT UNIT, OIL | 1 | 1145270 |
| Ref | Partnumber | Description | GX160U1 | Serial Numbers |
| 014 | 34150-ZH7-013 | ALERT UNIT, OIL | 1 | 1145271 |
| 014 | 34150-ZH7-013 | ALERT UNIT, OIL | 1 | 1145271 |
| 017 | 36100-ZF6-P81 | SWITCH ASSY., ENGINE STOP | 1 | 1145482 |
| 017 | 36100-ZF6-P82 | SWITCH ASSY., ENGINE STOP | 1 | |
| 017 | 36100-ZF6-P82 | SWITCH ASSY., ENGINE STOP | 1 | 1145483 |
| 020 | 90013-883-000 | BOLT, FLANGE, 6X12 (CT200) | 4 | |
| 020 | 90013-883-000 | BOLT, FLANGE, 6X12 (CT200) | 6 | |
| 021 | 90022-888-010 | BOLT, FLANGE, 6X20 (CT200) | 1 | |
| 022 | 90601-ZH7-013 | CLIP, HARNESS | 1 | |
| 025 | 95701-0600800 | BOLT, FLANGE, 6X8 | 1 | |

GX160U1(QWA4)

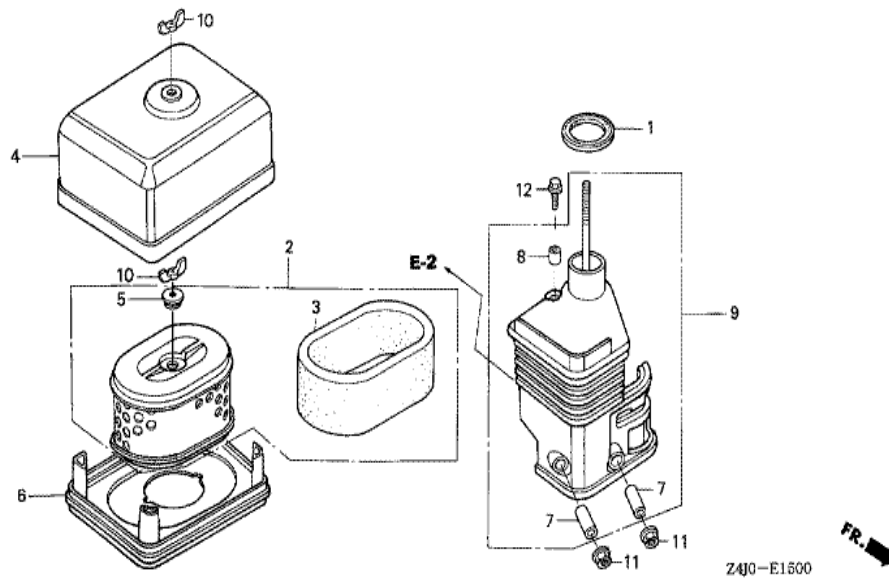
E-14-2 CARBURETOR (3)



| Ref | Partnumber | Description | GX160U1 | Serial Numbers |
|-----|---------------|------------------------------|---------|----------------|
| 002 | 16010-ZE1-812 | GASKET SET | 1 | |
| 003 | 16011-ZE0-005 | VALVE SET, FLOAT | 1 | |
| 004 | 16013-ZE0-005 | FLOAT SET | 1 | |
| 005 | 16015-ZE0-831 | CHAMBER SET, FLOAT | 1 | |
| 006 | 16016-ZH7-W01 | SCREW SET, PILOT | 1 | |
| 007 | 16024-ZE1-811 | SCREW SET, DRAIN | 1 | |
| 008 | 16028-ZE0-005 | SCREW SET | 1 | |
| 009 | 16044-ZE0-005 | CHOKE SET | 1 | |
| 010 | 16100-ZH8-W51 | CARBURETOR ASSY. (BE65B B/C) | 1 | |
| 010 | 16100-ZH8-W51 | CARBURETOR ASSY. (BE65B B/C) | 1 | |
| 011 | 16124-ZE0-005 | SCREW, THROTTLE STOP | 1 | |
| 012 | 16166-ZH8-W50 | NOZZLE, MAIN | 1 | |
| 012 | 16166-ZH8-W50 | NOZZLE, MAIN | 1 | |

| <u>Ref</u> | <u>Partnumber</u> | <u>Description</u> | <u>GX160U1</u> | <u>Serial Numbers</u> |
|------------|-------------------|----------------------------|----------------|-----------------------|
| 013 | 16173-001-004 | PACKING, FUEL STRAINER CUP | 1 | |
| 014 | 16211-ZE1-000 | INSULATOR, CARBURETOR | 1 | |
| 015 | 16212-ZH8-800 | PACKING, INSULATOR | 1 | |
| 016 | 16220-ZE1-020 | SPACER COMP., CARBURETOR | 1 | |
| 017 | 16221-ZH8-801 | PACKING, CARBURETOR | 1 | |
| 020 | 16610-ZE1-000 | LEVER COMP., CHOKE (STD.) | 1 | |
| 025 | 16953-ZE1-812 | LEVER, COCK | 1 | |
| 026 | 16954-ZE1-812 | PLATE, LEVER SETTING | 1 | |
| 027 | 16956-ZE1-811 | SPRING, COCK LEVER | 1 | |
| 028 | 16957-ZE1-812 | PACKING, FUEL COCK | 1 | |
| 029 | 16967-ZE0-811 | CUP, FUEL STRAINER | 1 | |
| 031 | 93500-030061H | SCREW, PAN, 3X6 | 2 | |
| 034 | 94305-20122 | PIN, SPRING, 2X12 | 1 | |
| 037 | 99101-ZH80650 | JET, MAIN, #65 | (1) | |
| 037 | 99101-ZH80650 | JET, MAIN, #65 | (1) | |
| 037 | 99101-ZH80680 | JET, MAIN, #68 | (1) | |
| 037 | 99101-ZH80680 | JET, MAIN, #68 | (1) | |
| 037 | 99101-ZH80700 | JET, MAIN, #70 | 1 | |
| 037 | 99101-ZH80700 | JET, MAIN, #70 | 1 | |
| 038 | 99204-ZE00350 | JET SET, PILOT, #35 | 1 | |

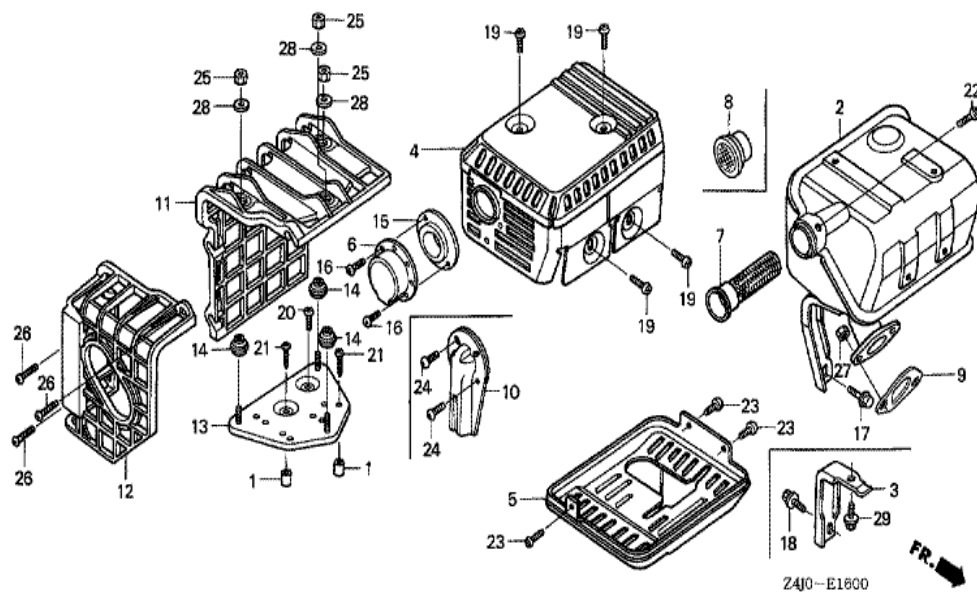
| | |
|---------------|----------------------|
| GX160U1(QWA4) | E-15 AIR CLEANER (1) |
|---------------|----------------------|



| Ref | Partnumber | Description | GX160U1 | Serial Numbers |
|-----|---------------|-----------------------------|---------|----------------|
| 001 | 16271-ZE1-000 | PACKING, ELBOW | 1 | |
| 002 | 17210-ZE1-822 | ELEMENT, AIR CLEANER (DUAL) | 1 | |
| 003 | 17218-ZE1-821 | FILTER, OUTER | 1 | |
| 004 | 17230-ZE1-820 | COVER, AIR CLEANER (DUAL) | 1 | |
| 005 | 17232-891-000 | GROMMET, AIR CLEANER | 1 | |
| 006 | 17235-ZE1-831 | NOSE, SILENCER | 1 | |
| 007 | 17238-ZE7-010 | COLLAR, AIR CLEANER | 2 | |
| 008 | 17239-ZE1-000 | COLLAR B, AIR CLEANER | 1 | |
| 009 | 17410-ZE1-020 | ELBOW COMP., AIR CLEANER | 1 | |
| 010 | 90325-044-000 | NUT, TOOL BOX SETTING | 2 | |
| 011 | 94050-06000 | NUT, FLANGE, 6MM | 2 | |
| 012 | 95701-0602000 | BOLT, FLANGE, 6X20 | 1 | |

GX160U1(QWA4)

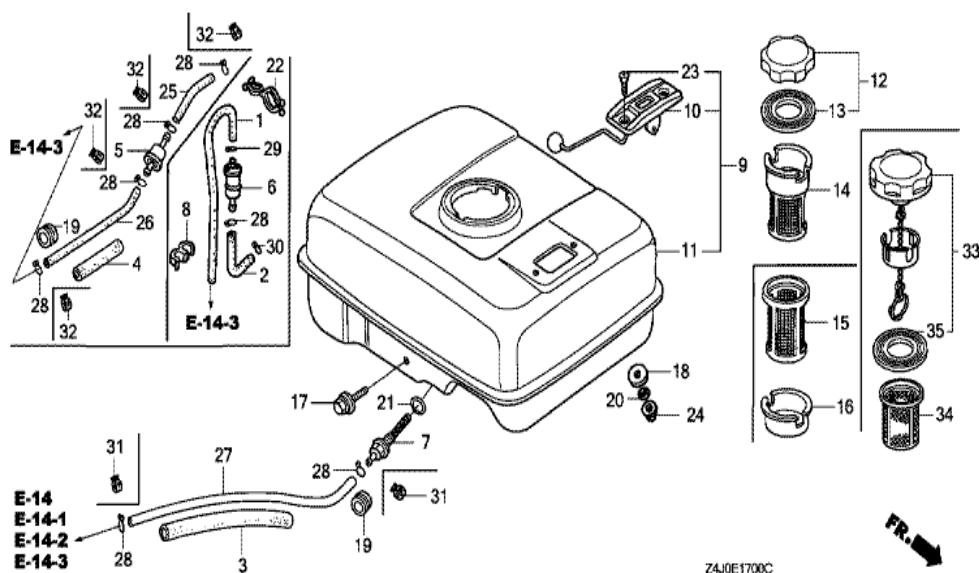
E-16 MUFFLER (1)



| Ref | Partnumber | Description | GX160U1 | Serial Numbers |
|-----|---------------|-----------------------------|---------|----------------|
| 001 | 17233-896-701 | COLLAR, AIR CLEANER CASE | (2) | |
| 002 | 18310-ZE1-821 | MUFFLER COMP. (SILENT) | 1 | |
| 002 | 18310-ZE1-821 | MUFFLER COMP. (SILENT) | 1 | |
| 002 | 18310-ZH8-810 | MUFFLER COMP. (ARRESTER) | (1) | |
| 002 | 18310-ZH8-810 | MUFFLER COMP. (ARRESTER) | (1) | |
| 003 | 18315-ZE1-000 | STAY, MUFFLER | 1 | |
| 004 | 18320-ZF1-H51 | PROTECTOR, MUFFLER (SILENT) | 1 | |
| 004 | 18320-ZF1-H51 | PROTECTOR, MUFFLER (SILENT) | 1 | |
| 006 | 18331-883-810 | CAP, MUFFLER | 1 | |
| 007 | 18355-ZE1-000 | ARRESTER, SPARK | 1 | |
| 007 | 18355-ZE1-000 | ARRESTER, SPARK | (1) | |
| 007 | 18355-ZE1-810 | ARRESTER, SPARK (SILENT) | 1 | |
| 007 | 18355-ZE1-810 | ARRESTER, SPARK (SILENT) | 1 | |

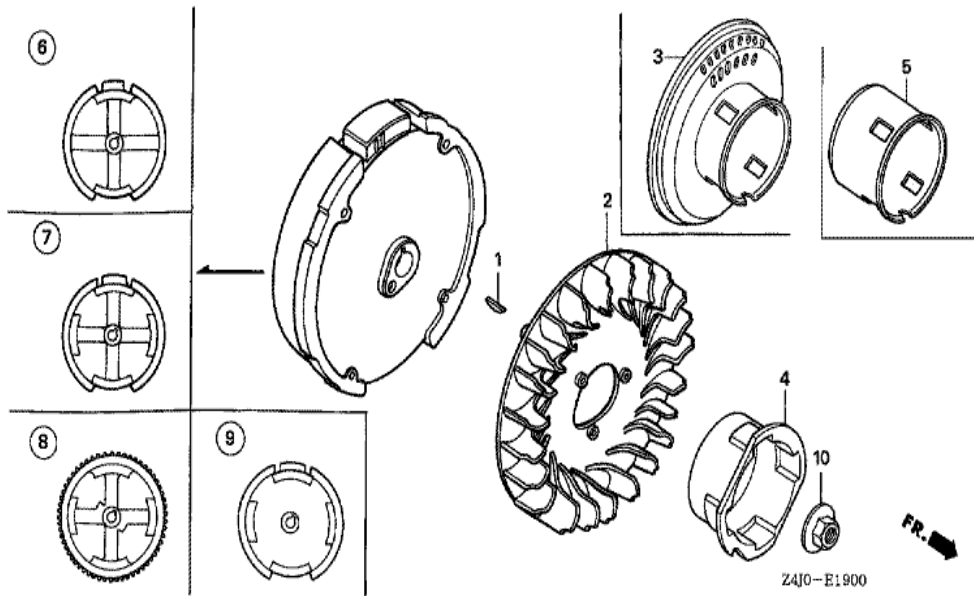
| <u>Ref</u> | <u>Partnumber</u> | <u>Description</u> | <u>GX160U1</u> | <u>Serial Numbers</u> |
|------------|-------------------|----------------------------|----------------|-----------------------|
| 009 | 18381-ZH8-800 | GASKET, MUFFLER | 1 | |
| 010 | 18431-ZH8-W50 | DEFLECTOR, MUFFLER | (1) | |
| 011 | 18433-ZH8-W40 | COVER COMP., MUFFLER | (1) | |
| 012 | 18434-ZH8-W40 | COVER COMP., RR. MUFFLER | (1) | |
| 013 | 18436-ZH8-W40 | BASE COMP., MUFFLER COVER | (1) | |
| 014 | 18466-ZH8-W40 | SPACER, MUFFLER COVER | (3) | |
| 016 | 90055-ZE1-000 | SCREW, TAPPING, 4X6 | 2 | |
| 016 | 90055-ZE1-000 | SCREW, TAPPING, 4X6 | 2 | |
| 018 | 90016-ZE1-000 | BOLT, FLANGE, 6X13 (CT200) | 1 | |
| 019 | 90050-ZE1-000 | SCREW, TAPPING, 5X8 | 4 | |
| 020 | 90050-ZE1-000 | SCREW, TAPPING, 5X8 | (1) | |
| 021 | 90050-ZH8-W40 | SCREW, TAPPING, 5X25 | (2) | |
| 022 | 90055-ZE1-000 | SCREW, TAPPING, 4X6 | 1 | |
| 022 | 90055-ZE1-000 | SCREW, TAPPING, 4X6 | (1) | |
| 022 | 90056-ZL0-000 | SCREW, TAPPING, 4X6 | 1 | |
| 022 | 90056-ZL0-000 | SCREW, TAPPING, 4X6 | 1 | |
| 024 | 90055-ZE1-000 | SCREW, TAPPING, 4X6 | (2) | |
| 025 | 90302-KF9-900 | NUT, HEX., 5MM | (3) | |
| 026 | 93891-0602007 | SCREW-WASHER, 6X20 | (3) | |
| 027 | 94001-080000S | NUT, HEX., 8MM | 2 | |
| 028 | 94103-05700 | WASHER, PLAIN, 5MM | (3) | |
| 029 | 95701-0601200 | BOLT, FLANGE, 6X12 | 1 | |

| | |
|---------------|--------------------|
| GX160U1(QWA4) | E-17 FUEL TANK (1) |
|---------------|--------------------|



| Ref | Partnumber | Description | GX160U1 | Serial Numbers |
|-----|-----------------|--|---------|----------------|
| 003 | 16854-ZH8-000 | RUBBER, SUPPORTER (107MM) | 1 | |
| 007 | 16955-ZE1-000 | JOINT, FUEL TANK | 1 | |
| 011 | 17510-ZE1-020ZA | TANK COMP., FUEL *NH31 * | 1 | |
| 011 | 17510-ZE1-020ZA | TANK COMP., FUEL *NH31 * | 1 | 1137417 |
| 011 | 17510-ZE1-020ZF | TANK COMP., FUEL *NH1 * | 1 | 1137417 |
| 011 | 17510-ZE1-020ZF | TANK COMP., FUEL *NH1 * | 1 | 1137417 |
| 011 | 17510-ZE1-030ZA | TANK COMP., FUEL *NH31 * | 1 | 1137418 |
| 011 | 17510-ZE1-030ZA | TANK COMP., FUEL *NH31 * | 1 | 1137418 |
| 011 | 17510-ZE1-030ZF | TANK COMP., FUEL *NH1 * | 1 | 1137418 |
| 011 | 17510-ZE1-030ZF | TANK COMP., FUEL *NH1 * | 1 | 1137418 |
| 012 | 17620-Z0T-305 | CAP COMP., FUEL FILLER (CHROME PLATED) | 1 | 1125014 |
| 013 | 17631-Z0T-812 | PACKING, FUEL FILLER CAP (39X62X3) (TOUY | 1 | 1125014 |
| 017 | 90004-ZH7-003 | BOLT, FLANGE, 6X29 | 1 | |
| Ref | Partnumber | Description | GX160U1 | Serial Numbers |
| 021 | 91353-671-004 | O-RING, 14MM (NOK) | 1 | |
| 024 | 94050-06000 | NUT, FLANGE, 6MM | 2 | |
| 027 | 91424-Z4F-801 | TUBE, FUEL, 4.5X140 (FKM) | 1 | 1031488 |
| 027 | 95001-4514040 | TUBE, FUEL, 4.5X140 (95001-45001-60M) | 1 | 1031487 |
| 027 | 95001-4514040 | TUBE, FUEL, 4.5X140 (95001-45001-60M) | 1 | 1031487 |
| 028 | 95002-02080 | CLIP, TUBE (B8) | 1 | |
| 028 | 95002-02080 | CLIP, TUBE (B8) | 2 | 1031487 |
| 031 | 95002-4080008 | CLAMP, TUBE (D8) | 2 | |
| 031 | 95002-4080008 | CLAMP, TUBE (D8) | 2 | 1031488 |
| 033 | 17620-Z4H-000 | CAP COMP., FUEL FILLER (CHROME PLATED) | 1 | 1125015 |
| 035 | 17631-Z0T-801 | PACKING, FUEL FILLER CAP (39X62X3) (RADI | 1 | |
| 035 | 17631-Z0T-801 | PACKING, FUEL FILLER CAP (39X62X3) (RADI | 1 | 1125015 |

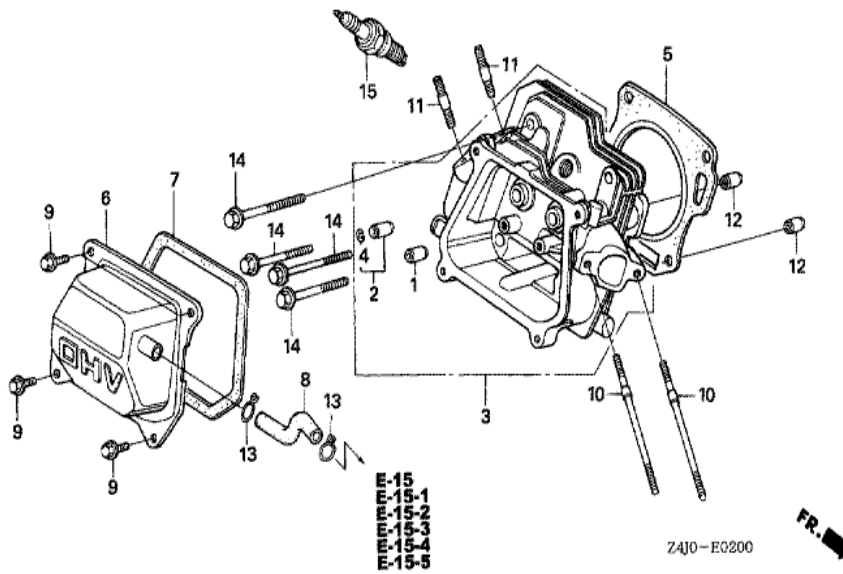
| | |
|---------------|---------------|
| GX160U1(QWA4) | E-19 FLYWHEEL |
|---------------|---------------|



| Ref | Partnumber | Description | GX160U1 | Serial Numbers |
|-----|---------------|------------------------------|---------|----------------|
| 001 | 13331-357-000 | KEY, SPECIAL WOODRUFF, 25X18 | 1 | |
| 002 | 19511-ZE1-000 | FAN, COOLING | 1 | |
| 003 | 28450-ZH8-801 | PULLEY COMP., STARTER | 1 | |
| 006 | 31100-ZE1-010 | FLYWHEEL COMP. | 1 | |
| 010 | 90201-878-003 | NUT, SPECIAL, 14MM | 1 | |

GX160U1(QWA4)

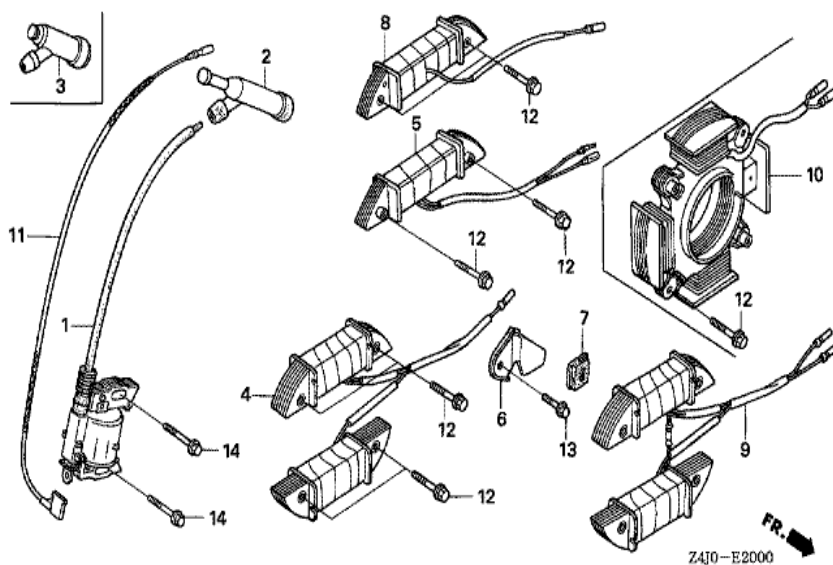
E-2 CYLINDER HEAD



| Ref | Partnumber | Description | GX160U1 | Serial Numbers |
|------------|-------------------|--------------------------------|----------------|-----------------------|
| 001 | 12204-ZE1-306 | GUIDE, IN. VALVE (OS) | 1 | |
| 002 | 12205-ZE1-315 | GUIDE, EX. VALVE (OS) | 1 | |
| 003 | 12210-ZH8-415 | HEAD COMP., CYLINDER | 1 | |
| 003 | 12210-ZH8-415 | HEAD COMP., CYLINDER | 1 | |
| 004 | 12216-ZE5-300 | CLIP, VALVE GUIDE | 1 | |
| 005 | 12251-ZF1-800 | GASKET, CYLINDER HEAD | 1 | |
| 006 | 12310-ZE1-020 | COVER COMP., HEAD | 1 | |
| 007 | 12391-ZE1-000 | PACKING, HEAD COVER | 1 | |
| 008 | 15721-ZH8-000 | TUBE, BREATHER | 1 | |
| 008 | 15721-ZH8-000 | TUBE, BREATHER | 1 | |
| 009 | 90013-883-000 | BOLT, FLANGE, 6X12 (CT200) | 4 | |
| 010 | 90043-ZE1-020 | BOLT, STUD, 6X112 | 2 | |
| 010 | 90043-ZE1-020 | BOLT, STUD, 6X112 | 2 | |
| <u>Ref</u> | <u>Partnumber</u> | <u>Description</u> | <u>GX160U1</u> | <u>Serial Numbers</u> |
| 011 | 90047-ZE1-000 | BOLT, STUD, 8X32 | 2 | |
| 012 | 94301-10160 | DOWEL PIN, 10X16 | 2 | |
| 014 | 95701-0806000 | BOLT, FLANGE, 8X60 | 4 | 1144875 |
| 014 | 95723-0806000 | BOLT, FLANGE, 8X60 | 4 | 1144874 |
| 014 | 95723-0806000 | BOLT, FLANGE, 8X60 | 4 | 1144874 |
| 015 | 98079-55846 | PLUG, SPARK (BPR5ES) (NGK) | (1) | |
| 015 | 98079-55846 | PLUG, SPARK (BPR5ES) (NGK) | (1) | |
| 015 | 98079-55855 | PLUG, SPARK (W16EPR-U) (DENSO) | (1) | |
| 015 | 98079-55855 | PLUG, SPARK (W16EPR-U) (DENSO) | (1) | |
| 015 | 98079-56846 | PLUG, SPARK (BPR6ES) (NGK) | 1 | |
| 015 | 98079-56846 | PLUG, SPARK (BPR6ES) (NGK) | 1 | |
| 015 | 98079-56855 | PLUG, SPARK (W20EPR-U) (DENSO) | 1 | |
| 015 | 98079-56855 | PLUG, SPARK (W20EPR-U) (DENSO) | 1 | |

GX160U1(QWA4)

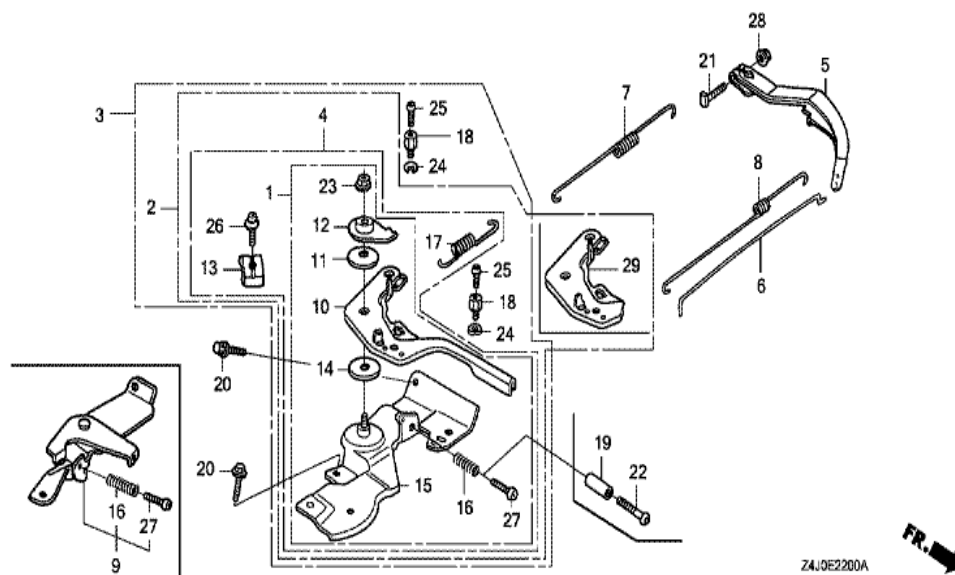
E-20 IGNITION COIL



| Ref | Partnumber | Description | GX160U1 | Serial Numbers |
|-----|---------------|---|---------|----------------|
| 001 | 30500-ZE1-063 | COIL ASSY., IGNITION | 1 | |
| 001 | 30500-ZE1-063 | COIL ASSY., IGNITION | 1 | 1141205 |
| 001 | 30500-ZE1-073 | COIL ASSY., IGNITION | 1 | 1141206 |
| 001 | 30500-ZE1-073 | COIL ASSY., IGNITION | 1 | 1141206 |
| 002 | 30700-ZE1-013 | CAP ASSY., NOISE SUPPRESSOR (NICHIIWA Y-E | 1 | |
| 011 | 36101-ZE1-010 | CORD, STOP SWITCH (370MM) | 1 | |
| 011 | 36101-ZE1-010 | CORD, STOP SWITCH (370MM) | 1 | |
| 014 | 90121-952-000 | BOLT, FLANGE, 6X25 (CT200) | 2 | |

GX160U1(QWA4)

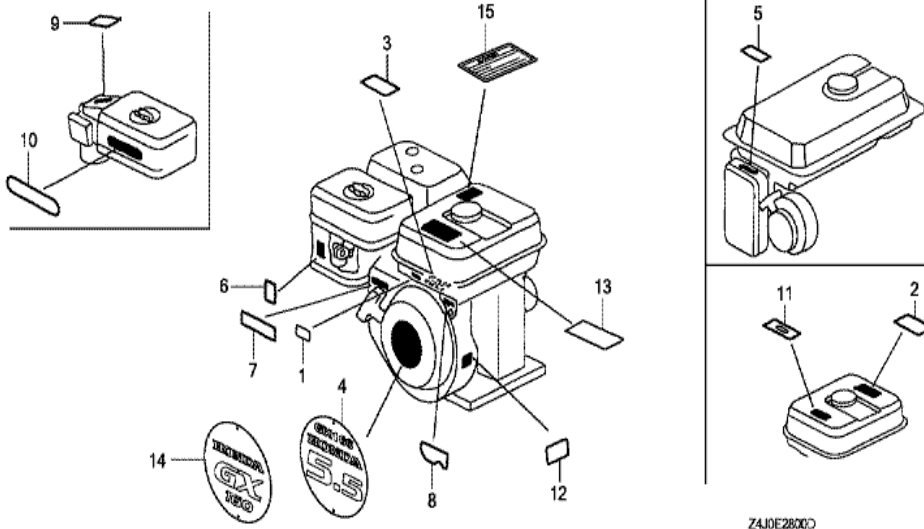
E-22 CONTROL



| Ref | Partnumber | Description | GX160U1 | Serial Numbers |
|-----|---------------|---------------------------------|---------|----------------|
| 002 | 16500-ZH8-813 | CONTROL ASSY. (REMOTE/INTERNAL) | 1 | |
| 005 | 16551-ZE0-010 | ARM, GOVERNOR | 1 | |
| 005 | 16551-ZE0-010 | ARM, GOVERNOR | 1 | |
| 006 | 16555-ZE1-000 | ROD, GOVERNOR | 1 | |
| 007 | 16561-ZE1-020 | SPRING, GOVERNOR | 1 | |
| 008 | 16562-ZE1-020 | SPRING, THROTTLE RETURN | 1 | |
| 010 | 16571-ZH8-020 | LEVER, CONTROL | 1 | |
| 011 | 16574-ZE1-000 | SPRING, LEVER | 1 | |
| 012 | 16575-ZH8-000 | WASHER, CONTROL LEVER | 1 | |
| 013 | 16576-891-000 | HOLDER, CABLE | 1 | |
| 014 | 16578-ZE1-000 | SPACER, CONTROL LEVER | 1 | |
| 015 | 16580-ZH8-813 | BASE COMP., CONTROL (REMOTE) | 1 | |
| 015 | 16580-ZH8-813 | BASE COMP., CONTROL (REMOTE) | 1 | |
| Ref | Partnumber | Description | GX160U1 | Serial Numbers |
| 016 | 16584-883-300 | SPRING, CONTROL ADJUSTING | 1 | |
| 017 | 16592-ZE1-810 | SPRING, CABLE RETURN | 1 | |
| 018 | 16594-883-010 | HOLDER, WIRE | 1 | |
| 019 | 16599-ZG1-M10 | COLLAR, STOPPER | (1) | |
| 020 | 90013-883-000 | BOLT, FLANGE, 6X12 (CT200) | 2 | |
| 021 | 90015-ZE5-010 | BOLT, GOVERNOR ARM | 1 | |
| 022 | 90016-ZG9-N30 | SCREW, RECESSED, 5X25 | (1) | |
| 023 | 90114-SA0-000 | NUT, SELF-LOCK, 6MM | 1 | |
| 024 | 90605-230-000 | CIRCLIP, 5MM | 1 | |
| 025 | 93500-040060H | SCREW, PAN, 4X6 | 1 | |
| 026 | 93500-050160A | SCREW, PAN, 5X16 | 1 | |
| 027 | 93500-050250H | SCREW, PAN, 5X25 | 1 | |
| 027 | 93500-050250H | SCREW, PAN, 5X25 | 1 | |
| 028 | 94050-06000 | NUT, FLANGE, 6MM | 1 | |

GX160U1(QWA4)

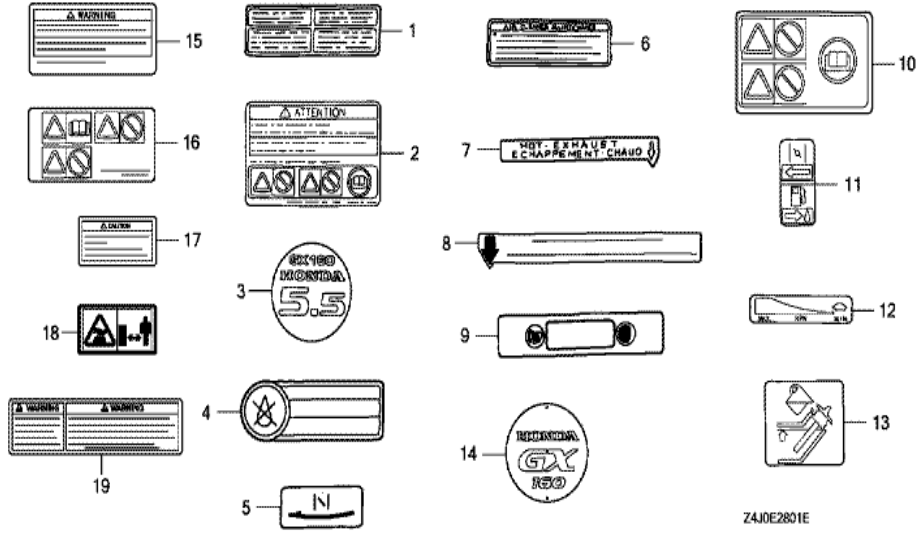
E-28 LABEL (1)



| Ref | Partnumber | Description | GX160U1 | Serial Numbers |
|-----|---------------|--|---------|----------------|
| 004 | 87521-ZH8-030 | EMBLEM (GX160 5.5) | 1 | 1120413 |
| 006 | 87528-ZH7-000 | MARK, CHOKE (GRAY) | 1 | |
| 007 | 87532-ZH7-000 | MARK, THROTTLE INDICATION | 1 | |
| 013 | 87516-ZH7-000 | MARK, OPERATOR CAUTION (ENGLISH) (MADE I | 1 | |
| 013 | 87516-ZH7-810 | MARK, OPERATOR CAUTION (PICTOGRAPH) (MAD | (1) | 1253961 |
| 013 | 87516-ZH7-810 | MARK, OPERATOR CAUTION (PICTOGRAPH) (MAD | (1) | 1253961 |
| 014 | 87521-ZH8-040 | EMBLEM (GX160) | 1 | |
| 014 | 87521-ZH8-040 | EMBLEM (GX160) | 1 | 1120414 |

GX160U1(QWA4)

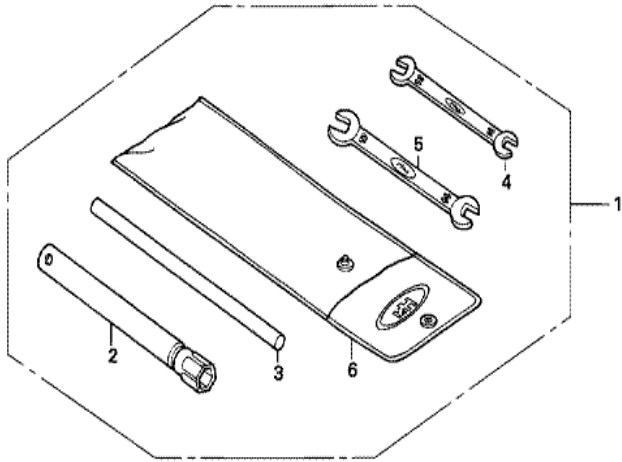
E-28-1 LABEL (2)



Z4J0E2801E

| Ref | Partnumber | Description | GX160U1 | Serial Numbers |
|-----|---------------|--|---------|----------------|
| 002 | 87516-ZH7-800 | MARK, OPERATOR CAUTION (FRENCH) (MADE IN | 1 | 1253961 |
| 002 | 87516-ZH7-800 | MARK, OPERATOR CAUTION (FRENCH) (MADE IN | 1 | |

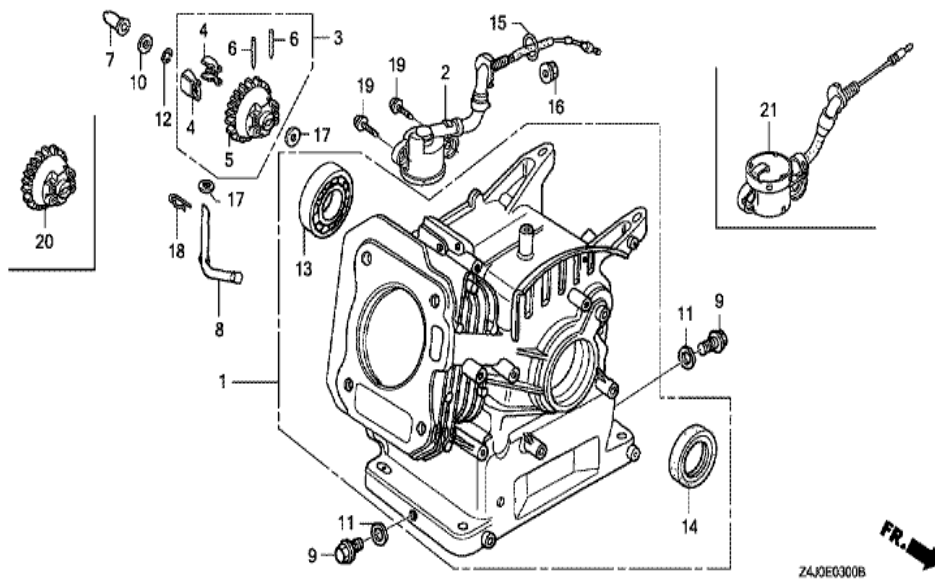
| | |
|---------------|-----------|
| GX160U1(QWA4) | E-29 TOOL |
|---------------|-----------|



Z410-E2900

| Ref | Partnumber | Description | GX160U1 | Serial Numbers |
|-----|---------------|--------------------------|---------|----------------|
| 002 | 89218-ZE1-000 | WRENCH COMP., SPARK PLUG | (1) | |
| 002 | 89218-ZE1-000 | WRENCH COMP., SPARK PLUG | 1 | |

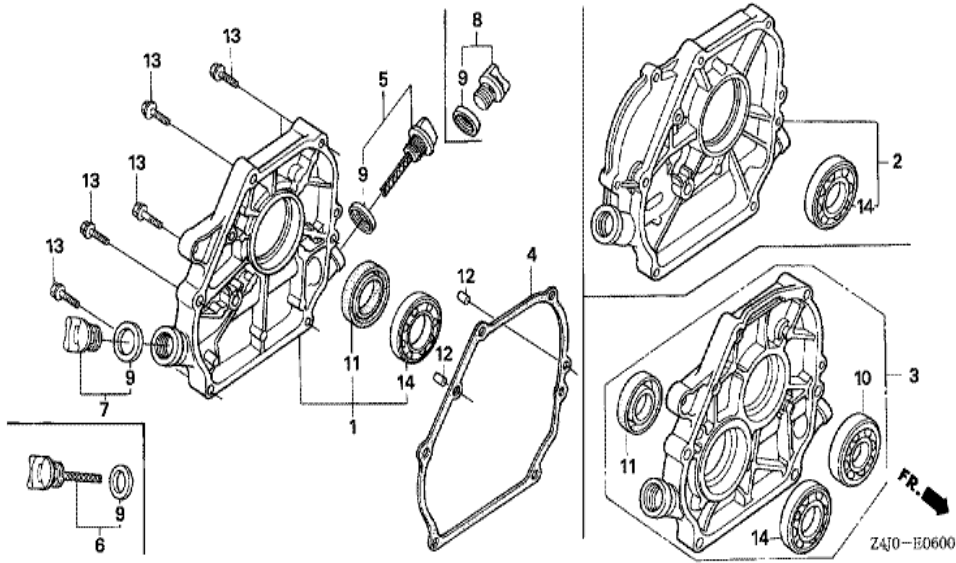
| | |
|---------------|---------------------|
| GX160U1(QWA4) | E-3 CYLINDER BARREL |
|---------------|---------------------|



| <u>Ref</u> | <u>Partnumber</u> | <u>Description</u> | <u>GX160U1</u> | <u>Serial Numbers</u> |
|------------|-------------------|--------------------------------------|----------------|-----------------------|
| 001 | 12000-ZH8-426 | BARREL ASSY., CYLINDER (OIL ALERT) | 1 | |
| 001 | 12000-ZH8-426 | BARREL ASSY., CYLINDER (OIL ALERT) | 1 | |
| 002 | 15510-ZE1-033 | SWITCH ASSY., OIL LEVEL | 1 | |
| 003 | 16510-ZE1-000 | GOVERNOR ASSY. | 1 | |
| 004 | 16511-ZE1-000 | WEIGHT, GOVERNOR | 2 | |
| 005 | 16512-ZE1-000 | HOLDER, GOVERNOR WEIGHT | 1 | |
| 006 | 16513-ZE1-000 | PIN, GOVERNOR WEIGHT | 2 | |
| 007 | 16531-ZE1-000 | SLIDER, GOVERNOR | 1 | |
| 008 | 16541-ZE1-000 | SHAFT, GOVERNOR ARM | 1 | |
| 009 | 90131-ZE1-000 | BOLT, DRAIN PLUG | 2 | |
| 010 | 90451-ZE1-000 | WASHER, THRUST, 6MM | 1 | |
| 011 | 90601-ZE1-000 | WASHER, DRAIN PLUG, 10.2MM | 2 | |
| 012 | 90602-ZE1-000 | CLIP, GOVERNOR HOLDER | 1 | |
| <u>Ref</u> | <u>Partnumber</u> | <u>Description</u> | <u>GX160U1</u> | <u>Serial Numbers</u> |
| 013 | 91001-ZF1-003 | BEARING, RADIAL BALL (6205TMB) (NTN) | 1 | |
| 013 | 91001-ZF1-003 | BEARING, RADIAL BALL (6205TMB) (NTN) | 1 | |
| 013 | 91001-ZF1-004 | BEARING, RADIAL BALL (6205SH) (KOYO) | 1 | |
| 013 | 91001-ZF1-004 | BEARING, RADIAL BALL (6205SH) (KOYO) | 1 | |
| 014 | 91201-ZOT-801 | OIL SEAL, 25X41X6 (NOK) | 1 | |
| 015 | 91353-671-004 | O-RING, 14MM (NOK) | 1 | |
| 016 | 94050-10000 | NUT, FLANGE, 10MM | 1 | |
| 017 | 94101-06800 | WASHER, PLAIN, 6MM | 2 | |
| 018 | 94251-08000 | PIN, LOCK, 8MM | 1 | |
| 019 | 95701-0601200 | BOLT, FLANGE, 6X12 | 2 | |

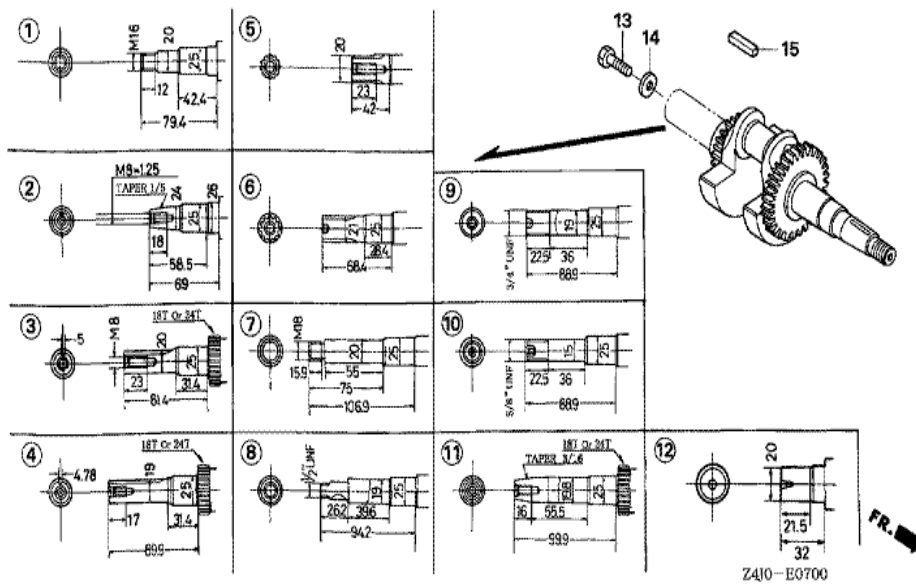
GX160U1(QWA4)

E-6 CRANKCASE COVER (1)



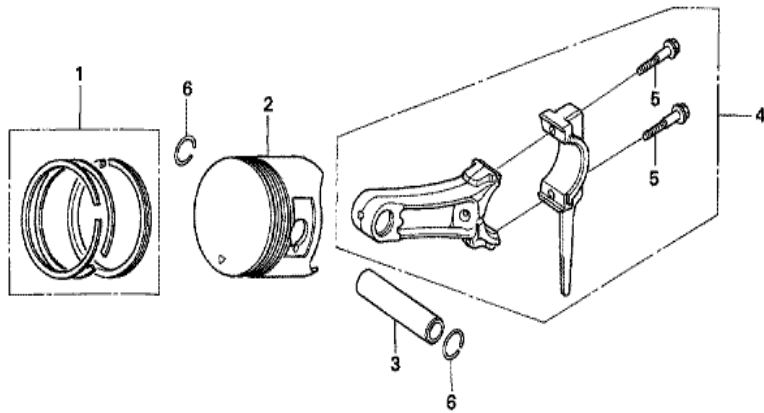
| Ref | Partnumber | Description | GX160U1 | Serial Numbers |
|-----|---------------|------------------------------------|---------|----------------|
| 001 | 11300-ZE1-642 | COVER ASSY., CRANKCASE | 1 | |
| 001 | 11300-ZE1-642 | COVER ASSY., CRANKCASE | 1 | |
| 004 | 11381-ZH8-801 | PACKING, CASE COVER (NON ASBESTOS) | 1 | |
| 005 | 15600-ZE1-003 | CAP ASSY., OIL FILLER (GRAY) | 1 | |
| 007 | 15600-ZG4-003 | CAP ASSY., OIL FILLER | 1 | |
| 009 | 15625-ZE1-003 | PACKING, OIL FILLER CAP | 2 | |
| 011 | 91201-ZOT-801 | OIL SEAL, 25X41X6 (NOK) | 1 | |
| 012 | 94301-08140 | DOWEL PIN, 8X14 | 2 | |
| 013 | 95701-0803200 | BOLT, FLANGE, 8X32 | 6 | |
| 014 | 96100-6205000 | BEARING, RADIAL BALL, 6205 | 1 | |

| | |
|---------------|----------------|
| GX160U1(QWA4) | E-7 CRANKSHAFT |
|---------------|----------------|



| Ref | Partnumber | Description | GX160U1 | Serial Numbers |
|-----|---------------|-------------------|---------|----------------|
| 004 | 13310-ZE1-601 | CRANKSHAFT COMP. | 1 | |
| 004 | 13310-ZE1-601 | CRANKSHAFT COMP. | 1 | |
| 015 | 90745-ZE1-600 | KEY, 4.78X4.78X38 | 1 | |
| 015 | 90745-ZE1-600 | KEY, 4.78X4.78X38 | 1 | |

| | |
|---------------|------------|
| GX160U1(QWA4) | E-8 PISTON |
|---------------|------------|



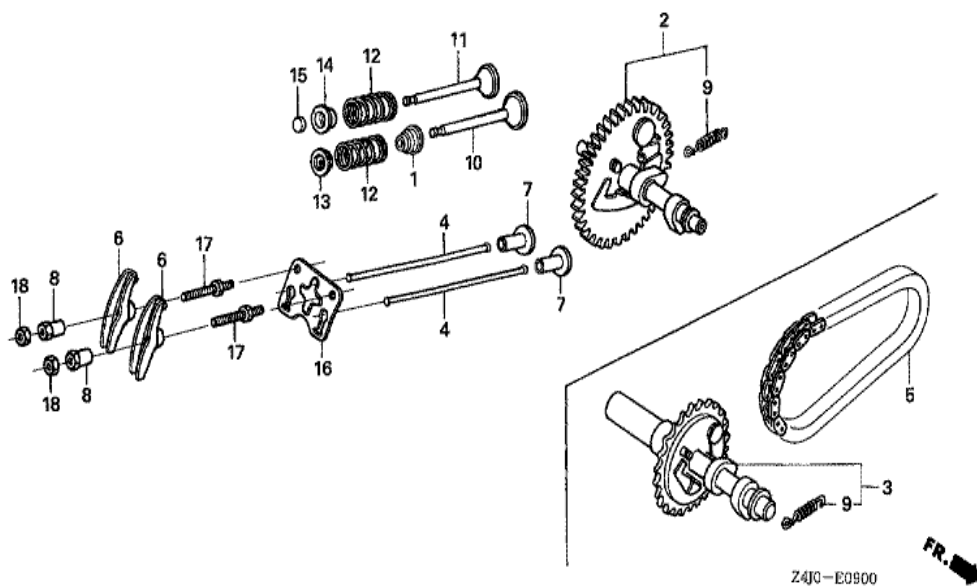
Z4J0-E0800



| Ref | Partnumber | Description | GX160U1 | Serial Numbers |
|-----|---------------|-----------------------------------|---------|----------------|
| 001 | 13010-Z4K-004 | RING SET, PISTON (STD.) (TPR) | 1 | 1120414 |
| 001 | 13010-ZL0-003 | RING SET, PISTON (STD.) (TEIKOKU) | 1 | 1120413 |
| 001 | 13010-ZL0-003 | RING SET, PISTON (STD.) (TEIKOKU) | 1 | 1120413 |
| 001 | 13010-ZL0-004 | RING SET, PISTON (STD.) (NIPPON) | 1 | 1120413 |
| 001 | 13010-ZL0-004 | RING SET, PISTON (STD.) (NIPPON) | 1 | 1120413 |
| 001 | 13011-Z4K-004 | RING SET, PISTON (0.25) (TPR) | (1) | 1120414 |
| 001 | 13011-Z4K-004 | RING SET, PISTON (0.25) (TPR) | (1) | 1120414 |
| 001 | 13011-ZL0-003 | RING SET, PISTON (0.25) (TEIKOKU) | (1) | 1120413 |
| 001 | 13011-ZL0-003 | RING SET, PISTON (0.25) (TEIKOKU) | (1) | 1120413 |
| 001 | 13011-ZL0-004 | RING SET, PISTON (0.25) (NIPPON) | (1) | 1120413 |
| 001 | 13011-ZL0-004 | RING SET, PISTON (0.25) (NIPPON) | (1) | 1120413 |
| 001 | 13012-Z4K-004 | RING SET, PISTON (0.50) (TPR) | (1) | 1120414 |
| 001 | 13012-Z4K-004 | RING SET, PISTON (0.50) (TPR) | (1) | 1120414 |

| <u>Ref</u> | <u>Partnumber</u> | <u>Description</u> | <u>GX160U1</u> | <u>Serial Numbers</u> |
|------------|-------------------|-----------------------------------|----------------|-----------------------|
| 001 | 13012-ZL0-003 | RING SET, PISTON (0.50) (TEIKOKU) | (1) | 1120413 |
| 001 | 13012-ZL0-003 | RING SET, PISTON (0.50) (TEIKOKU) | (1) | 1120413 |
| 001 | 13012-ZL0-004 | RING SET, PISTON (0.50) (NIPPON) | (1) | |
| 001 | 13012-ZL0-004 | RING SET, PISTON (0.50) (NIPPON) | (1) | 1120413 |
| 001 | 13013-Z4K-004 | RING SET, PISTON (0.75) (TPR) | (1) | 1120414 |
| 001 | 13013-Z4K-004 | RING SET, PISTON (0.75) (TPR) | (1) | 1120414 |
| 001 | 13013-ZL0-003 | RING SET, PISTON (0.75) (TEIKOKU) | (1) | 1120413 |
| 001 | 13013-ZL0-003 | RING SET, PISTON (0.75) (TEIKOKU) | (1) | 1120413 |
| 001 | 13013-ZL0-004 | RING SET, PISTON (0.75) (NIPPON) | (1) | 1120413 |
| 001 | 13013-ZL0-004 | RING SET, PISTON (0.75) (NIPPON) | (1) | 1120413 |
| 002 | 13101-ZH8-010 | PISTON (STD.) | 1 | |
| 002 | 13101-ZH8-010 | PISTON (STD.) | 1 | 1120413 |
| 002 | 13101-ZH8-020 | PISTON (STD.) | 1 | 1120414 |
| 002 | 13101-ZH8-020 | PISTON (STD.) | 1 | 1120414 |
| 002 | 13102-ZH8-010 | PISTON (0.25) | (1) | 1120413 |
| 002 | 13102-ZH8-010 | PISTON (0.25) | (1) | 1120413 |
| 002 | 13102-ZH8-020 | PISTON (0.25) | (1) | 1120414 |
| 002 | 13102-ZH8-020 | PISTON (0.25) | (1) | 1120414 |
| 002 | 13103-ZH8-010 | PISTON (0.50) | (1) | 1120413 |
| 002 | 13103-ZH8-010 | PISTON (0.50) | (1) | 1120413 |
| 002 | 13103-ZH8-020 | PISTON (0.50) | (1) | 1120414 |
| 002 | 13103-ZH8-020 | PISTON (0.50) | (1) | 1120414 |
| 002 | 13104-ZH8-010 | PISTON (0.75) | (1) | |
| 002 | 13104-ZH8-010 | PISTON (0.75) | (1) | 1120413 |
| 002 | 13104-ZH8-020 | PISTON (0.75) | (1) | 1120414 |
| 002 | 13104-ZH8-020 | PISTON (0.75) | (1) | 1120414 |
| 003 | 13111-ZE1-000 | PIN, PISTON | 1 | |
| 004 | 13200-ZE1-010 | ROD ASSY., CONNECTING (STD.) | 1 | |
| 005 | 90001-ZE1-000 | BOLT, CONNECTING ROD | 2 | |
| 006 | 90551-ZE1-000 | CLIP, PISTON PIN, 18MM | 2 | |

| | |
|---------------|--------------|
| GX160U1(QWA4) | E-9 CAMSHAFT |
|---------------|--------------|



| <u>Ref</u> | <u>Partnumber</u> | <u>Description</u> | <u>GX160U1</u> | <u>Serial Numbers</u> |
|------------|-------------------|----------------------------|----------------|-----------------------|
| 001 | 12209-ZH8-003 | SEAL, VALVE STEM | 1 | |
| 002 | 14100-ZE1-812 | CAMSHAFT ASSY. | 1 | |
| 002 | 14100-ZE1-812 | CAMSHAFT ASSY. | 1 | |
| 004 | 14410-ZE1-010 | ROD, PUSH | 2 | |
| 006 | 14431-ZE1-000 | ARM, VALVE ROCKER | 2 | |
| 007 | 14441-ZE1-010 | LIFTER, VALVE | 2 | |
| 008 | 14451-ZE1-013 | PIVOT, ROCKER ARM | 2 | |
| 009 | 14568-ZE1-000 | SPRING, WEIGHT RETURN | 1 | |
| 010 | 14711-ZF1-000 | VALVE, IN. | 1 | |
| 011 | 14721-ZF1-000 | VALVE, EX. | 1 | |
| 012 | 14751-ZF1-000 | SPRING, VALVE | 2 | |
| 013 | 14771-ZE1-000 | RETAINER, IN. VALVE SPRING | 1 | |
| 014 | 14773-ZE1-000 | RETAINER, EX. VALVE SPRING | 1 | |
| <u>Ref</u> | <u>Partnumber</u> | <u>Description</u> | <u>GX160U1</u> | <u>Serial Numbers</u> |
| 015 | 14781-ZE1-000 | ROTATOR, VALVE | 1 | |
| 016 | 14791-ZE1-010 | PLATE, PUSH ROD GUIDE | 1 | |
| 017 | 90012-ZE0-010 | BOLT, PIVOT, 8MM | 2 | |
| 018 | 90206-ZE1-000 | NUT, PIVOT ADJUSTING | 2 | |