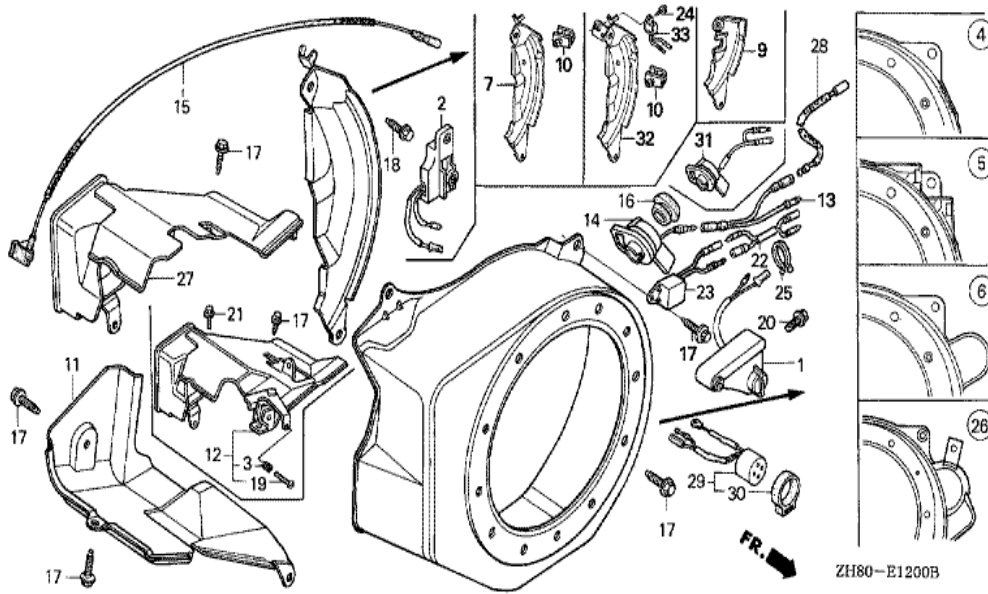
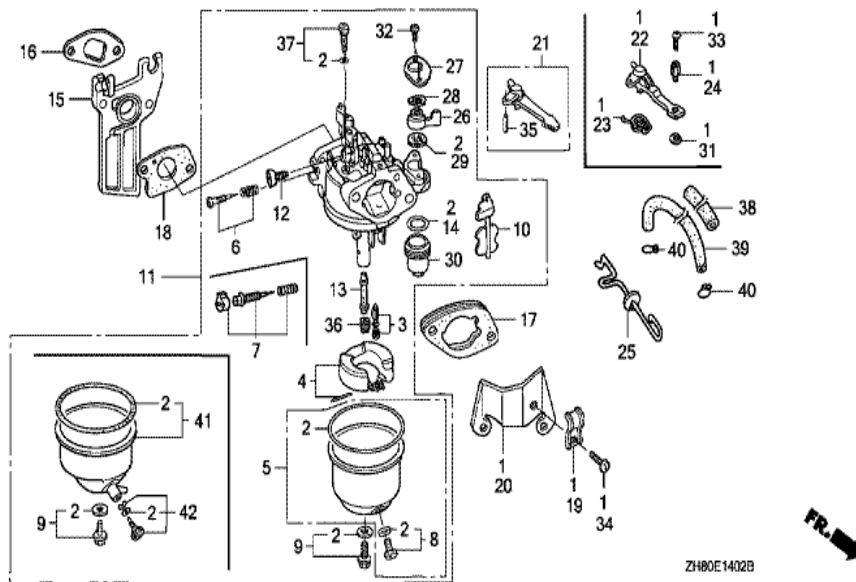




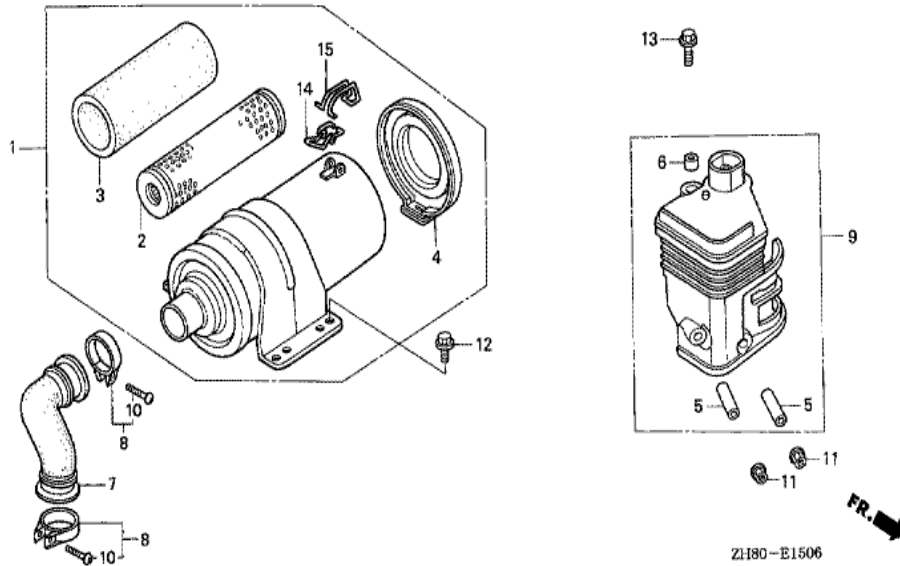
<u>Ref</u>	<u>Partnumber</u>	<u>Description</u>	<u>GX160K1</u>	<u>Serial Numbers</u>
001	28400-ZH8-013YA	STARTER ASSY., RECOIL *R280 *	1	8367073
001	28400-ZH8-013ZA	STARTER ASSY., RECOIL *R8 *	1	8367072
002	28410-ZH8-003YA	CASE COMP., RECOIL STARTER *R280 *	1	8367073
002	28410-ZH8-003ZA	CASE COMP., RECOIL STARTER *R8 *	1	8367072
003	28420-ZH8-013	REEL, RECOIL STARTER (NATURAL)	(1)	
004	28422-ZH8-013	RATCHET, STARTER	(2)	
005	28433-ZH8-003	GUIDE, RATCHET	(1)	
006	28441-ZH8-003	SPRING, FRICTION	(1)	
007	28442-ZH8-003	SPRING, RECOIL STARTER	(1)	
008	28443-ZH8-003	SPRING, RETURN	(2)	
009	28461-ZH8-003	GRIP, STARTER	(1)	
010	28462-ZH8-003	ROPE, RECOIL STARTER	(1)	
012	90003-ZH8-003	SCREW, SETTING	(1)	
<u>Ref</u>	<u>Partnumber</u>	<u>Description</u>	<u>GX160K1</u>	<u>Serial Numbers</u>
013	90008-ZE2-003	BOLT, FLANGE, 6X10	(3)	



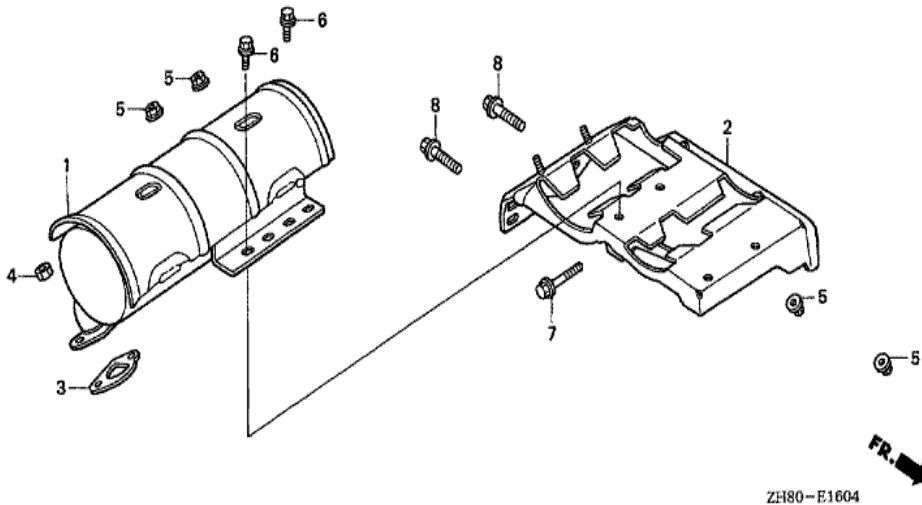
Ref	Partnumber	Description	GX160K1	Serial Numbers
004	19610-ZK8-V00ZA	COVER COMP., FAN *R8 *	1	8366916
004	19610-ZK8-V00ZD	COVER COMP., FAN *R280 *	1	8366917
007	19612-ZK8-V00	PLATE, SIDE	1	
014	36100-ZE1-015	SWITCH ASSY., ENGINE STOP	1	2468253 4368640
017	90013-883-000	BOLT, FLANGE, 6X12 (CT200)	4	
018	90022-888-010	BOLT, FLANGE, 6X20 (CT200)	(1)	



Ref	Partnumber	Description	GX160K1	Serial Numbers
002	16010-ZB1-015	GASKET SET	1	
003	16011-ZE0-005	VALVE SET, FLOAT	(1)	
004	16013-ZE0-005	FLOAT SET	(1)	
005	16015-ZE1-811	CHAMBER SET, FLOAT	1	BE65B A
006	16016-ZE0-005	SCREW SET, PILOT	1	BE06J C
007	16016-ZH7-W01	SCREW SET, PILOT	1	BE65C B
008	16024-ZE1-811	SCREW SET, DRAIN	(1)	
009	16028-ZE0-005	SCREW SET	(1)	
010	16044-ZK8-V00	CHOKE SET	1	
011	16100-ZK8-T51	CARBURETOR ASSY. (BE67C A)	1	5206052
011	16100-ZK8-V01	CARBURETOR ASSY. (BE67B B)	1	5206051
012	16124-ZE0-005	SCREW, THROTTLE STOP	(1)	
013	16166-ZK8-V01	NOZZLE, MAIN	1	
Ref	Partnumber	Description	GX160K1	Serial Numbers
015	16211-ZE1-000	INSULATOR, CARBURETOR	1	
016	16212-ZH8-800	PACKING, INSULATOR	1	2630824
017	16220-ZE1-020	SPACER COMP., CARBURETOR	1	
018	16221-ZH8-801	PACKING, CARBURETOR	1	3427589
021	16610-ZE1-000	LEVER COMP., CHOKE (STD.)	(1)	
035	94305-20122	PIN, SPRING, 2X12	(1)	
036	99101-ZH80620	JET, MAIN, #62	(1)	
036	99101-ZH80650	JET, MAIN, #65	(1)	BE06J C
036	99101-ZH80680	JET, MAIN, #68	(1)	BE06J C
037	99204-ZE20380	JET SET, PILOT, #38	1	
038	16854-ZE1-000	RUBBER, SUPPORTER (107MM)	1	
039	95001-4540060	TUBE, FUEL, 4.5X400 (95001-450 (95001-45	1	
040	95002-4080008	CLAMP, TUBE (D8)	2	

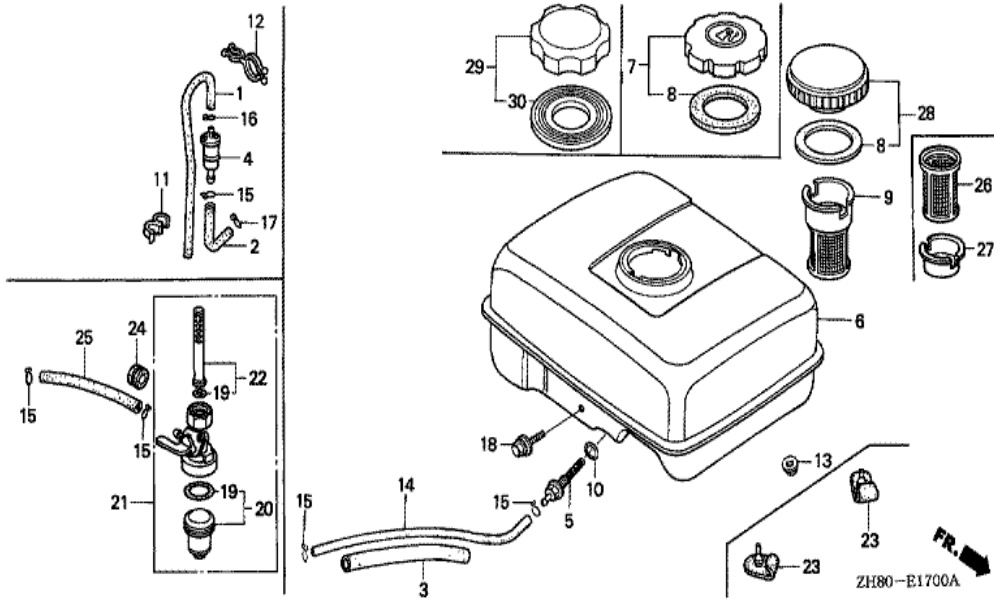


Ref	Partnumber	Description	GX160K1	Serial Numbers
001	17200-ZK7-V01	CLEANER ASSY., AIR	1	
002	17210-ZK7-V01	ELEMENT COMP., AIR CLEANER	1	
003	17218-ZK7-V01	FILTER, OUTER	1	
004	17230-ZK7-V01	COVER COMP., AIR CLEANER	1	
005	17238-ZE7-010	COLLAR, AIR CLEANER	2	
006	17239-ZE1-000	COLLAR B, AIR CLEANER	1	
007	17251-ZE0-S10	TUBE, AIR CLEANER CONNECTING	1	
008	17255-758-000	BAND, AIR CLEANER CONNECTING TUBE	2	
009	17410-ZE1-P30	ELBOW COMP., AIR CLEANER	1	
010	93500-040200A	SCREW, PAN, 4X20	2	
011	94050-06000	NUT, FLANGE, 6MM	2	
012	95701-0601600	BOLT, FLANGE, 6X16	2	
013	95701-0602000	BOLT, FLANGE, 6X20	1	
Ref	Partnumber	Description	GX160K1	Serial Numbers
014	17216-PM4-300	CLIP A, WIRE	1	
015	17217-PM4-300	CLIP B, WIRE	1	

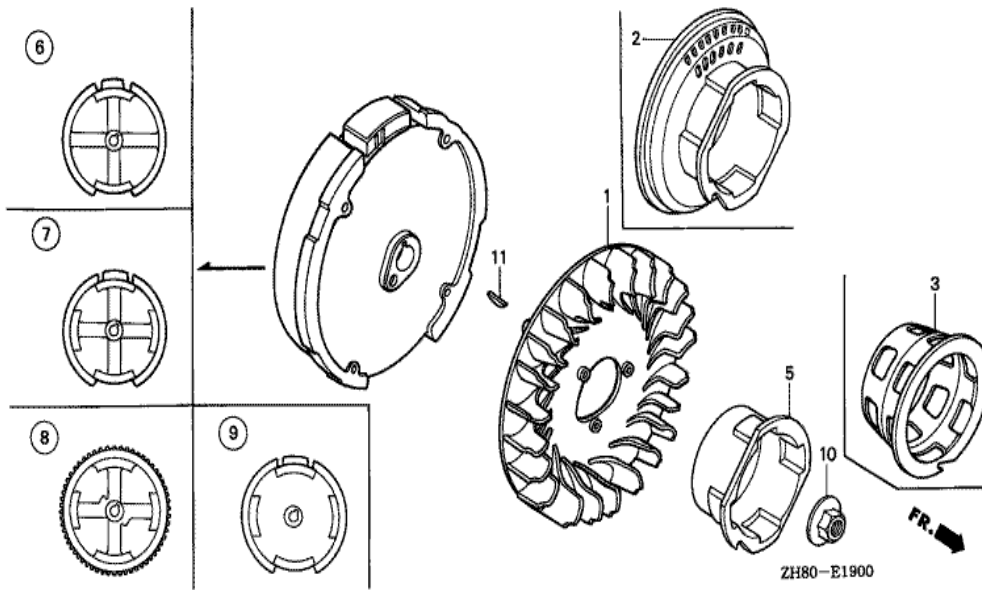


ZH80-E1604

Ref	Partnumber	Description	GX160K1	Serial Numbers
001	18310-ZK7-V01	MUFFLER COMP.	1	
002	18338-ZK8-V01	STAY COMP., MUFFLER	1	
003	18381-ZH8-800	GASKET, MUFFLER	1	
004	94001-080000S	NUT, HEX., 8MM	2	
005	94050-06000	NUT, FLANGE, 6MM	4	
006	95701-0601600	BOLT, FLANGE, 6X16	2	
007	95701-0602500	BOLT, FLANGE, 6X25	1	
008	95701-0802000	BOLT, FLANGE, 8X20	2	



Ref	Partnumber	Description	GX160K1	Serial Numbers
001	16198-ZG0-U00	TUBE A, AIR VENT	1	
002	16199-KCR-000	TUBE	1	
004	16910-ZG0-U02	STRAINER COMP., FUEL	1	
011	91403-750-800	CLIP, DOUBLE	1	
012	91473-PA1-003	CLIP, WATER HOSE	1	
015	95002-02080	CLIP, TUBE (B8)	1	
016	95002-02100	CLIP, TUBE (B10)	1	
017	95002-50000	CLIP, TUBE (C9)	1	

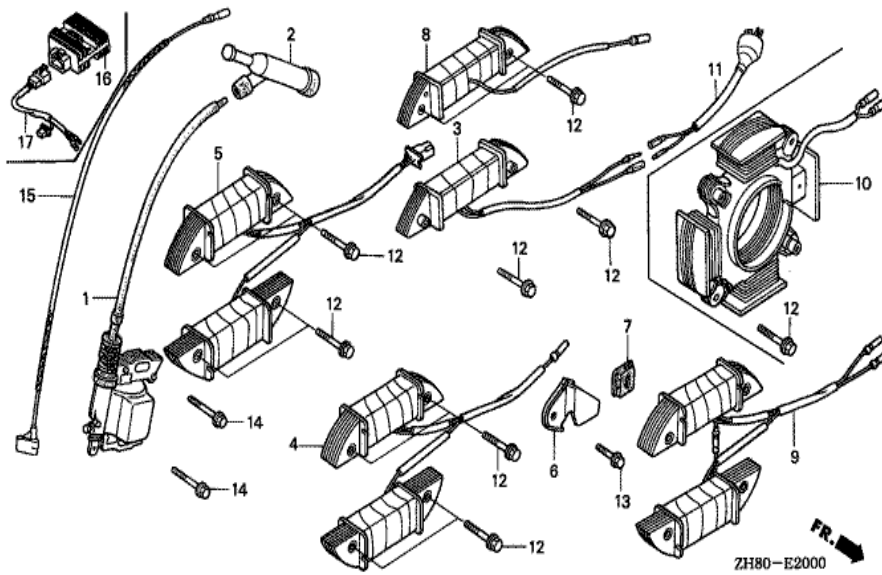


ZH80-E1900

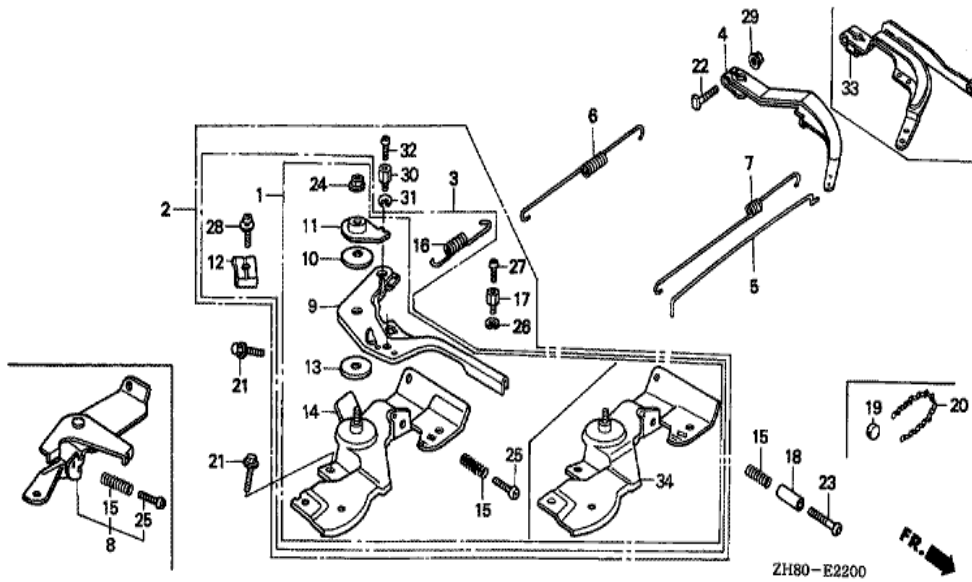
Ref	Partnumber	Description	GX160K1	Serial Numbers
001	19511-ZE1-000	FAN, COOLING	1	
005	28451-ZH8-003	PULLEY, STARTER	(1)	
006	31100-ZE1-010	FLYWHEEL COMP.	(1)	
010	90201-878-003	NUT, SPECIAL, 14MM	1	
011	13331-357-000	KEY, SPECIAL WOODRUFF, 25X18	1	



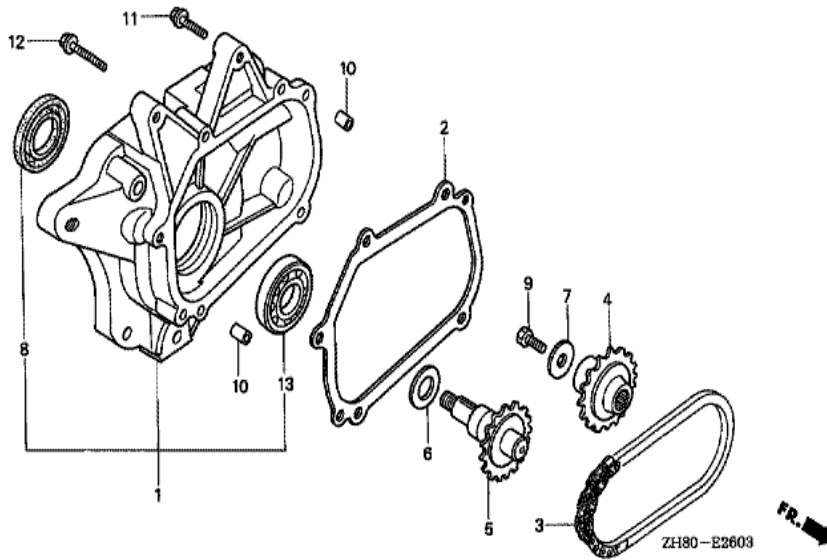




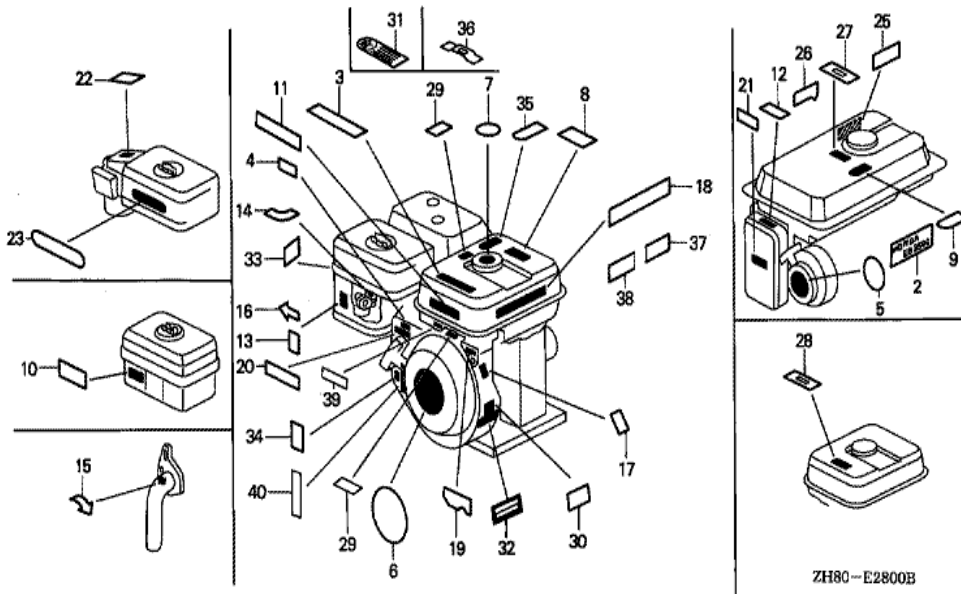
Ref	Partnumber	Description	GX160K1	Serial Numbers
001	30500-ZE1-033	COIL ASSY., IGNITION	1	8074561
002	30600-ZE1-013	TERMINAL ASSY., HIGH TENSION (NICHIIWA Y-	1	6276049
002	30700-ZE1-013	CAP ASSY., NOISE SUPPRESSOR (NICHIIWA Y-E	1	6276050
014	90121-952-000	BOLT, FLANGE, 6X25 (CT200)	2	
015	36101-ZE1-010	CORD, STOP SWITCH (370MM)	1	



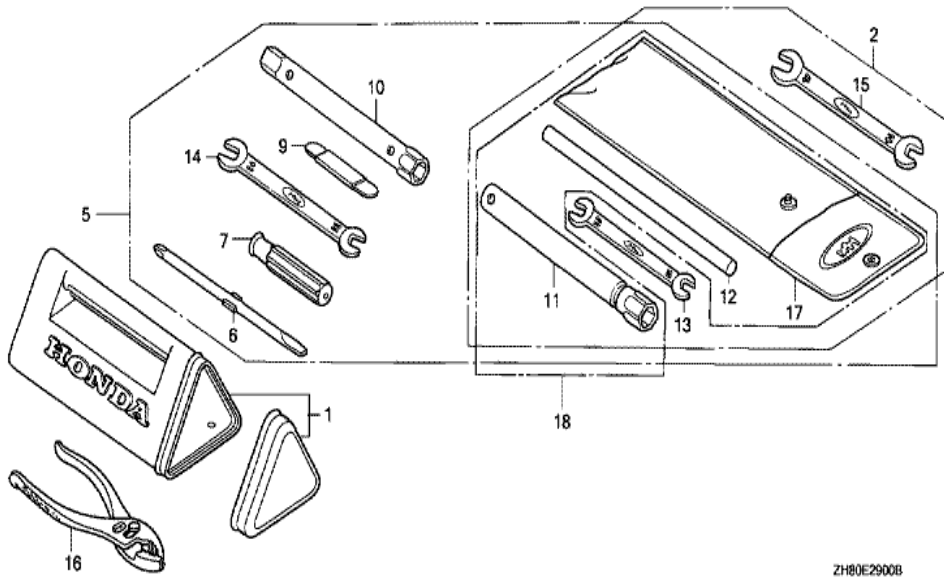
Ref	Partnumber	Description	GX160K1	Serial Numbers
002	16500-ZH8-861	CONTROL ASSY. (REMOTE)	1	3393322 5551817
002	16500-ZH8-862	CONTROL ASSY. (REMOTE)	1	5551818 6331304
002	16500-ZH8-863	CONTROL ASSY. (REMOTE)	1	6331305
004	16550-ZK7-V00	ARM COMP., GOVERNOR	1	
005	16555-ZE1-000	ROD, GOVERNOR	1	
006	16561-ZH8-940	SPRING, GOVERNOR	1	
007	16562-ZE1-020	SPRING, THROTTLE RETURN	1	
009	16571-ZH8-S00	LEVER, CONTROL	1	5551817
009	16571-ZH8-S01	LEVER, CONTROL	1	5551818 6331304
009	16571-ZH8-S02	LEVER, CONTROL	1	6331305
010	16574-ZE1-000	SPRING, LEVER	(1)	
011	16575-ZH8-000	WASHER, CONTROL LEVER	(1)	
012	16576-891-000	HOLDER, CABLE	(1)	
<u>Ref</u>	<u>Partnumber</u>	<u>Description</u>	<u>GX160K1</u>	<u>Serial Numbers</u>
013	16578-ZE1-000	SPACER, CONTROL LEVER	(1)	
015	16584-883-300	SPRING, CONTROL ADJUSTING	(1)	
016	16592-ZE1-810	SPRING, CABLE RETURN	(1)	
017	16594-883-010	HOLDER, WIRE	(1)	
021	90013-883-000	BOLT, FLANGE, 6X12 (CT200)	2	
022	90015-ZE5-010	BOLT, GOVERNOR ARM	1	
024	90114-SA0-000	NUT, SELF-LOCK, 6MM	(1)	
025	93500-050250H	SCREW, PAN, 5X25	(1)	
026	90605-230-000	CIRCLIP, 5MM	(1)	
027	93500-040060H	SCREW, PAN, 4X6	(1)	
028	93500-050160A	SCREW, PAN, 5X16	1	2740508
029	94050-06000	NUT, FLANGE, 6MM	1	
034	16580-ZH8-811	BASE COMP., CONTROL (REMOTE)	1	3393322 5551817
034	16580-ZH8-812	BASE COMP., CONTROL (REMOTE)	1	5551818 6331304
034	16580-ZH8-813	BASE COMP., CONTROL (REMOTE)	1	6331305



Ref	Partnumber	Description	GX160K1	Serial Numbers
001	11500-ZK7-V00	COVER ASSY., CHAIN CASE	1	
002	11521-ZK7-V00	PACKING, CHAIN CASE COVER	1	
003	14411-ZK7-V01	CHAIN, P.T.O. DRIVE	1	
004	23121-ZK7-V00	SPROCKET, DRIVE (17T)	1	
005	23151-ZK7-V00	SHAFT, P.T.O. (16T)	1	
006	90456-ZE1-000	SPRING, THRUST	1	
007	90471-ZE1-610	WASHER, 8MM	1	
008	91252-888-003	OIL SEAL, 25X38X7 (ARAI)	1	
009	92101-080250A	BOLT, HEX., 8X25	1	
010	94303-08140	DOWEL PIN, 8X14	2	
011	95701-0803500	BOLT, FLANGE, 8X35	4	
012	95701-0805500	BOLT, FLANGE, 8X55	1	
013	96100-6005000	BEARING, RADIAL BALL, 6005	1	

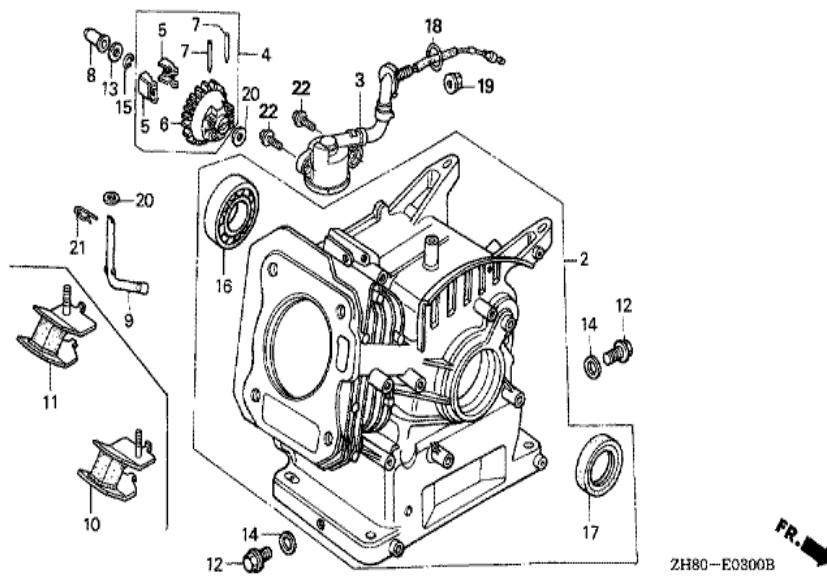


Ref	Partnumber	Description	GX160K1	Serial Numbers
006	87521-ZH8-010	EMBLEM (5.5)	1	7438467
006	87521-ZH8-020	EMBLEM (GX160 5.5)	1	7438468 8367036
006	87521-ZH8-030	EMBLEM (GX160 5.5)	1	8367037
011	87522-ZH9-010	LABEL, CAUTION (ENGLISH, ETC.)	1	
013	87528-ZE1-810	MARK, CHOKE	(1)	

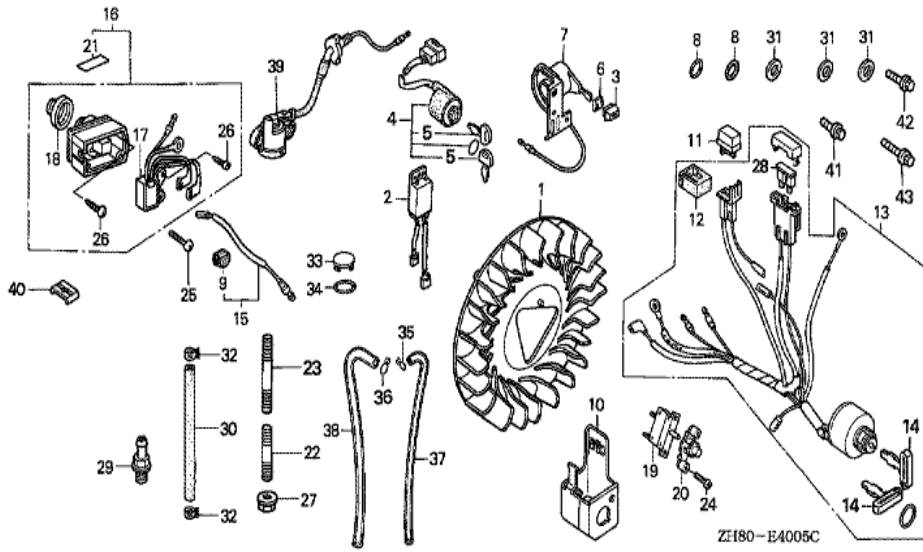


ZH80E2900B

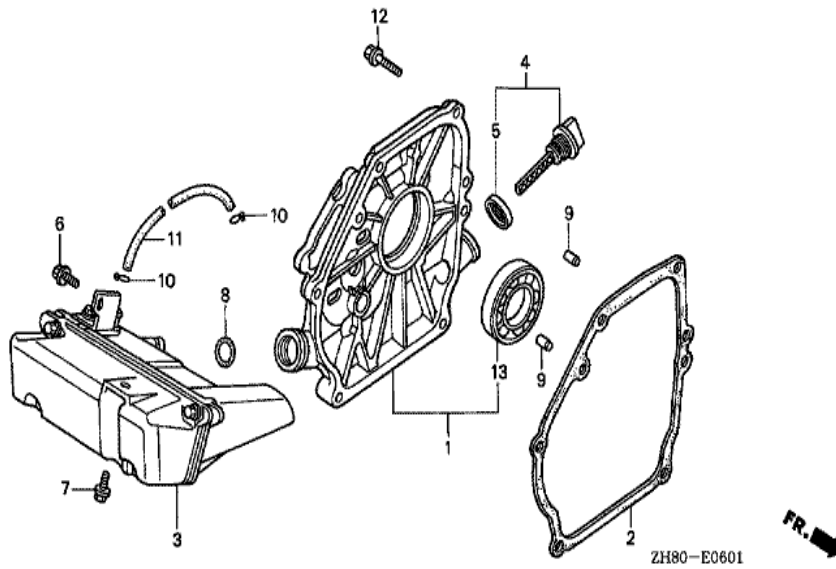
Ref	Partnumber	Description	GX160K1	Serial Numbers
011	89218-ZE1-000	WRENCH COMP., SPARK PLUG	(1)	



<u>Ref</u>	<u>Partnumber</u>	<u>Description</u>	<u>GX160K1</u>	<u>Serial Numbers</u>	
002	12000-ZH8-415	BARREL ASSY., CYLINDER	1	4193708	8565637
002	12000-ZH8-425	BARREL ASSY., CYLINDER	1	8565638	
004	16510-ZE1-000	GOVERNOR ASSY.	1		4913229
005	16511-ZE1-000	WEIGHT, GOVERNOR	2		4913229
006	16512-ZE1-000	HOLDER, GOVERNOR WEIGHT	1		4913229
007	16513-ZE1-000	PIN, GOVERNOR WEIGHT	2		4913229
008	16531-ZE1-000	SLIDER, GOVERNOR	1		
009	16541-ZE1-000	SHAFT, GOVERNOR ARM	1		
012	90131-ZE1-000	BOLT, DRAIN PLUG	2		
013	90451-ZE1-000	WASHER, THRUST, 6MM	1		
014	90601-ZE1-000	WASHER, DRAIN PLUG, 10.2MM	2		
015	90602-ZE1-000	CLIP, GOVERNOR HOLDER	1		
016	91001-ZF1-003	BEARING, RADIAL BALL (6205TMB) (NTN)	1		
<u>Ref</u>	<u>Partnumber</u>	<u>Description</u>	<u>GX160K1</u>	<u>Serial Numbers</u>	
016	91001-ZF1-004	BEARING, RADIAL BALL (6205SH) (KOYO)	1		
017	91201-Z0T-801	OIL SEAL, 25X41X6 (NOK)	1	8565638	
017	91202-883-005	OIL SEAL, 25X41X6	1		8565637
020	94101-06800	WASHER, PLAIN, 6MM	2		
021	94251-08000	PIN, LOCK, 8MM	1		

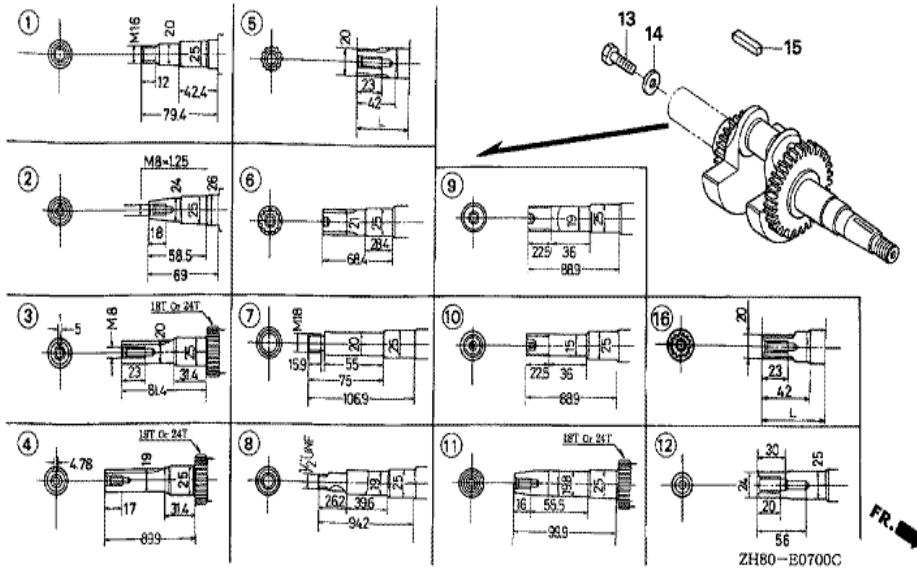


Ref	Partnumber	Description	GX160K1	Serial Numbers
022	90001-ZK7-V00	BOLT, STUD, 10X32	3	
023	90002-ZK7-V00	BOLT, STUD, 10X60	1	
027	94050-10000	NUT, FLANGE, 10MM	1	

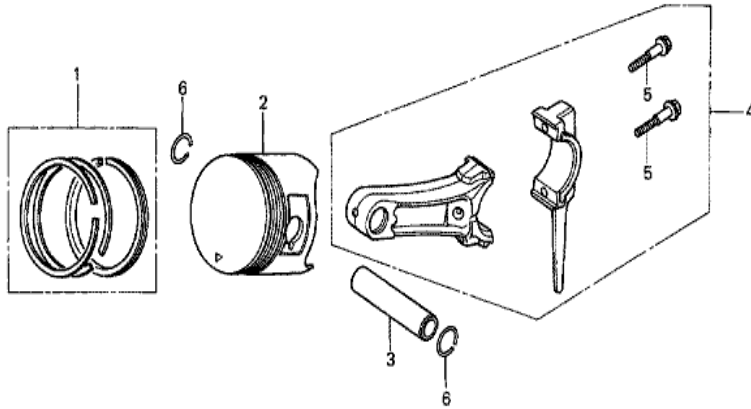


Ref	Partnumber	Description	GX160K1	Serial Numbers
001	11300-ZK8-V00	COVER ASSY., CRANKCASE	1	
002	11381-ZK8-V00	PACKING, CASE COVER	1	
003	15500-ZK8-V00	TANK ASSY., OIL	1	
004	15600-ZE1-003	CAP ASSY., OIL FILLER (GRAY)	1	
005	15625-ZE1-003	PACKING, OIL FILLER CAP	1	
006	90014-952-000	BOLT, FLANGE, 6X14 (CT200)	1	
007	90029-888-000	BOLT, FLANGE, 6X16 (CT200)	1	
008	91304-MJ0-003	O-RING, 15.8X2.4 (SHOWA)	1	
009	94303-08140	DOWEL PIN, 8X14	2	
010	95002-02070	CLIP, TUBE (B7)	2	
011	95005-3513010	TUBE, 3.5X130 (95005-35001-10M)	1	
012	95701-0803200	BOLT, FLANGE, 8X32	6	
013	96100-6205000	BEARING, RADIAL BALL, 6205	1	





Ref	Partnumber	Description	GX160K1	Serial Numbers
016	13310-ZK8-V00	CRANKSHAFT COMP. (L=235.9)	1	

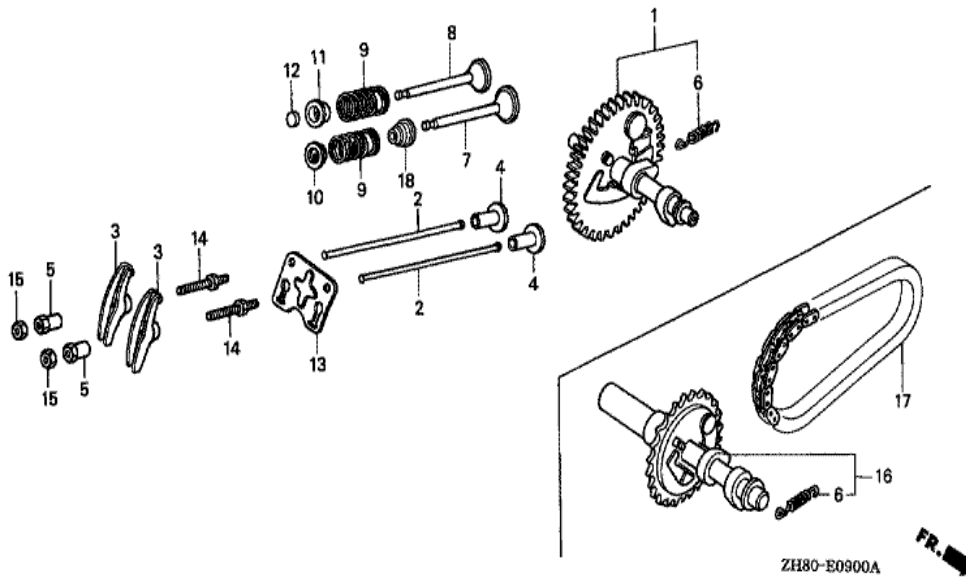


ZH80-E0800



Ref	Partnumber	Description	GX160K1	Serial Numbers
001	13010-ZF1-023	RING SET, PISTON (STD.) (TEIKOKU)	1	5495899
001	13010-ZF1-024	RING SET, PISTON (STD.) (NIPPON)	1	5495899
001	13010-ZH8-941	RING SET, PISTON (STD.) (TEIKOKU)	1	5495900 7603338
001	13010-ZH8-942	RING SET, PISTON (STD.) (NIPPON)	1	5495900 7603338
001	13010-ZL0-003	RING SET, PISTON (STD.) (TEIKOKU)	1	7603339
001	13010-ZL0-004	RING SET, PISTON (STD.) (NIPPON)	1	7603339
001	13011-ZF1-023	RING SET, PISTON (0.25) (TEIKOKU)	(1)	5495899
001	13011-ZF1-024	RING SET, PISTON (0.25) (NIPPON)	(1)	5495899
001	13011-ZH8-941	RING SET, PISTON (0.25) (TEIKOKU)	(1)	5495900 7603338
001	13011-ZH8-942	RING SET, PISTON (0.25) (NIPPON)	(1)	5495900 7603338
001	13011-ZL0-003	RING SET, PISTON (0.25) (TEIKOKU)	(1)	7603339
001	13011-ZL0-004	RING SET, PISTON (0.25) (NIPPON)	(1)	7603339
001	13012-ZF1-023	RING SET, PISTON (0.50) (TEIKOKU)	(1)	5495899

<u>Ref</u>	<u>Partnumber</u>	<u>Description</u>	<u>GX160K1</u>	<u>Serial Numbers</u>
001	13012-ZF1-024	RING SET, PISTON (0.50) (NIPPON)	(1)	5495899
001	13012-ZH8-941	RING SET, PISTON (0.50) (TEIKOKU)	(1)	5495900 7603338
001	13012-ZH8-942	RING SET, PISTON (0.50) (NIPPON)	(1)	5495900 7603338
001	13012-ZL0-003	RING SET, PISTON (0.50) (TEIKOKU)	(1)	7603339
001	13012-ZL0-004	RING SET, PISTON (0.50) (NIPPON)	(1)	7603339
001	13013-ZF1-023	RING SET, PISTON (0.75) (TEIKOKU)	(1)	5495899
001	13013-ZF1-024	RING SET, PISTON (0.75) (NIPPON)	(1)	5495899
001	13013-ZH8-941	RING SET, PISTON (0.75) (TEIKOKU)	(1)	5495900 7603338
001	13013-ZH8-942	RING SET, PISTON (0.75) (NIPPON)	(1)	5495900 7603338
001	13013-ZL0-003	RING SET, PISTON (0.75) (TEIKOKU)	(1)	7603339
001	13013-ZL0-004	RING SET, PISTON (0.75) (NIPPON)	(1)	7603339
002	13101-ZH8-000	PISTON (STD.)	1	7603338
002	13101-ZH8-010	PISTON (STD.)	1	7603339
002	13102-ZH8-000	PISTON (0.25)	(1)	7603338
002	13102-ZH8-010	PISTON (0.25)	(1)	7603339
002	13103-ZH8-000	PISTON (0.50)	(1)	7603338
002	13103-ZH8-010	PISTON (0.50)	(1)	7603339
002	13104-ZH8-000	PISTON (0.75)	(1)	7603338
002	13104-ZH8-010	PISTON (0.75)	(1)	7603339
003	13111-ZE1-000	PIN, PISTON	1	
004	13200-ZE1-010	ROD ASSY., CONNECTING (STD.)	1	
005	90001-ZE1-000	BOLT, CONNECTING ROD	2	
006	90551-ZE1-000	CLIP, PISTON PIN, 18MM	2	



<u>Ref</u>	<u>Partnumber</u>	<u>Description</u>	<u>GX160K1</u>	<u>Serial Numbers</u>
001	14100-ZH8-C30	CAMSHAFT ASSY.	1	
002	14410-ZE1-010	ROD, PUSH	2	
003	14431-ZE1-000	ARM, VALVE ROCKER	2	
004	14441-ZE1-010	LIFTER, VALVE	2	
005	14451-ZE1-013	PIVOT, ROCKER ARM	2	
006	14568-ZE1-000	SPRING, WEIGHT RETURN	1	
007	14711-ZF1-000	VALVE, IN.	1	
008	14721-ZF1-000	VALVE, EX.	1	
009	14751-ZF1-000	SPRING, VALVE	2	
010	14771-ZE1-000	RETAINER, IN. VALVE SPRING	1	
011	14773-ZE1-000	RETAINER, EX. VALVE SPRING	1	
012	14781-ZE1-000	ROTATOR, VALVE	1	
013	14791-ZE1-010	PLATE, PUSH ROD GUIDE	1	
<u>Ref</u>	<u>Partnumber</u>	<u>Description</u>	<u>GX160K1</u>	<u>Serial Numbers</u>
014	90012-ZE0-010	BOLT, PIVOT, 8MM	2	
015	90206-ZE1-000	NUT, PIVOT ADJUSTING	2	
018	12209-ZH8-003	SEAL, VALVE STEM	1	7664037

GX160K1(AR)

EOP-1 GASKET KIT



HENG-X0003

<u>Ref</u>	<u>Partnumber</u>	<u>Description</u>	<u>GX160K1</u>	<u>Serial Numbers</u>
001	06111-ZK8-V00	GASKET KIT	1	