



ZIT0-E1100A

Ref	Partnumber	Description	GX160H1	Serial Numbers
002	28410-ZH8-003YA	CASE COMP., RECOIL STARTER *R280 *	1	3315889
002	28410-ZH8-003YA	CASE COMP., RECOIL STARTER *R280 *	1	3327695
002	28410-ZH8-003YA	CASE COMP., RECOIL STARTER *R280 *	1	3327695
003	28421-ZOT-003	REEL, RECOIL STARTER	1	3327695
003	28421-ZOT-003	REEL, RECOIL STARTER	1	3327695
007	28442-ZH8-003	SPRING, RECOIL STARTER	1	3315889
007	28442-ZH8-003	SPRING, RECOIL STARTER	1	3327695
007	28442-ZH8-003	SPRING, RECOIL STARTER	1	3327695
009	28461-ZH8-013	KNOB, RECOIL STARTER	1	3327695
009	28461-ZH8-013	KNOB, RECOIL STARTER	1	3327695
010	28462-ZH8-003	ROPE, RECOIL STARTER	1	3315889
010	28462-ZH8-003	ROPE, RECOIL STARTER	1	3327695
010	28462-ZH8-003	ROPE, RECOIL STARTER	1	3327695

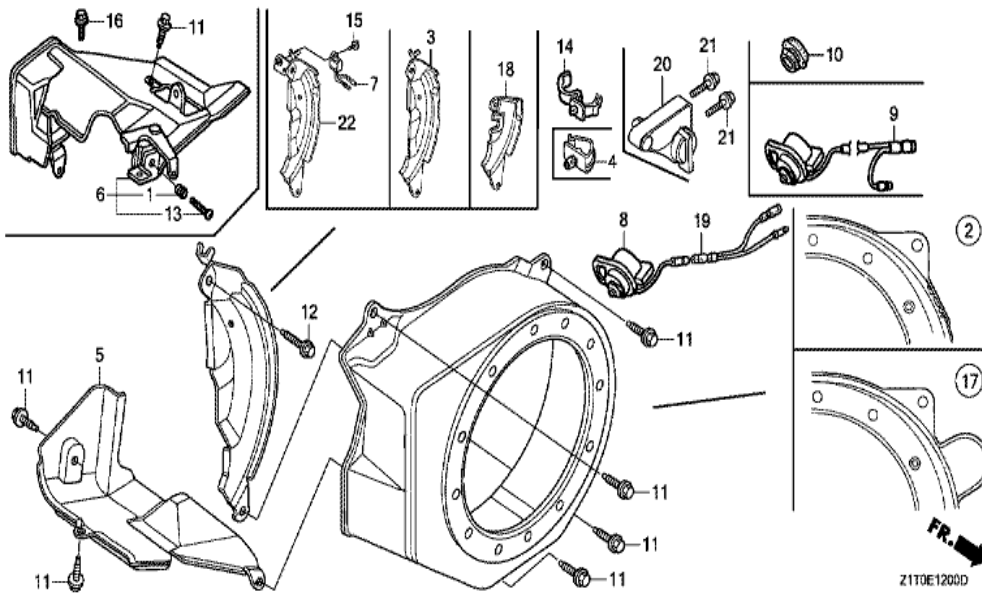
<u>Ref</u>	<u>Partnumber</u>	<u>Description</u>	<u>GX160H1</u>	<u>Serial Numbers</u>
012	90008-Z1T-000	BOLT, FLANGE, 6X10	3	3315889
012	90008-Z1T-000	BOLT, FLANGE, 6X10	3	3327695
012	90008-Z1T-000	BOLT, FLANGE, 6X10	3	3603014
013	28400-Z0T-003ZB	STARTER ASSY., RECOIL *R280*	1	3327695
013	28400-Z0T-003ZB	STARTER ASSY., RECOIL *R280*	1	3327695
014	28422-ZH8-801	RATCHET, STARTER	2	3315889
014	28422-ZH8-801	RATCHET, STARTER	2	3327695
014	28422-ZH8-801	RATCHET, STARTER	2	3327695
015	28431-ZH8-801	PLATE, FRICTION	1	3315889
015	28431-ZH8-801	PLATE, FRICTION	1	3327695
015	28431-ZH8-801	PLATE, FRICTION	1	3327695
016	28433-ZH8-801	GUIDE, RATCHET	1	3315889
016	28433-ZH8-801	GUIDE, RATCHET	1	3327695
016	28433-ZH8-801	GUIDE, RATCHET	1	3327695
017	28441-ZH8-801	SPRING, FRICTION	1	3315889
017	28441-ZH8-801	SPRING, FRICTION	1	3327695
017	28441-ZH8-801	SPRING, FRICTION	1	3327695
018	28443-ZH8-801	SPRING, RETURN	2	3315889
018	28443-ZH8-801	SPRING, RETURN	2	3327695
018	28443-ZH8-801	SPRING, RETURN	2	3327695
019	90003-ZH8-801	SCREW, SETTING	1	3315889
019	90003-ZH8-801	SCREW, SETTING	1	3327695
019	90003-ZH8-801	SCREW, SETTING	1	3327695



Z1T0E1102B

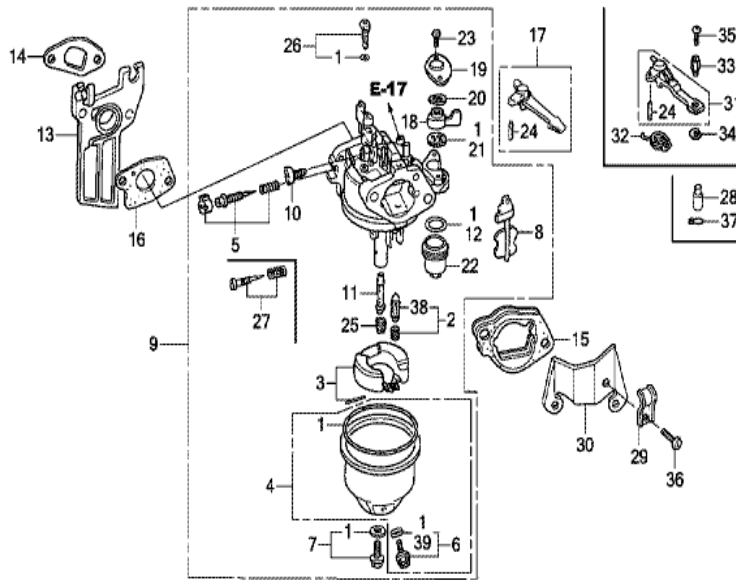
Ref	Partnumber	Description	GX160H1	Serial Numbers
001	28400-Z1T-701ZB	STARTER ASSY., RECOIL *R280*	1	3327696 3807941
001	28400-Z1T-701ZB	STARTER ASSY., RECOIL *R280*	1	3327696 3807941
001	28400-Z1T-702ZB	STARTER ASSY., RECOIL *R280*	1	1267934
001	28400-Z1T-702ZB	STARTER ASSY., RECOIL *R280*	1	3807942
002	28410-Z1T-701ZB	CASE COMP., RECOIL STARTER *R280*	1	3315890
002	28410-Z1T-701ZB	CASE COMP., RECOIL STARTER *R280*	1	3327696
002	28410-Z1T-701ZB	CASE COMP., RECOIL STARTER *R280*	1	3327696
003	28421-Z1T-702	REEL, RECOIL STARTER (BLACK)	1	1267934
003	28421-Z1T-702	REEL, RECOIL STARTER (BLACK)	1	3807942
004	28422-Z1T-701	RATCHET, STARTER	2	3315890
004	28422-Z1T-701	RATCHET, STARTER	2	3327696
004	28422-Z1T-701	RATCHET, STARTER	2	3603015
005	28433-Z1T-702	GUIDE, RATCHET	1	1267934

<u>Ref</u>	<u>Partnumber</u>	<u>Description</u>	<u>GX160H1</u>	<u>Serial Numbers</u>
005	28433-Z1T-702	GUIDE, RATCHET	1	3807942
007	28442-ZH8-003	SPRING, RECOIL STARTER	1	3315890
007	28442-ZH8-003	SPRING, RECOIL STARTER	1	3327696
007	28442-ZH8-003	SPRING, RECOIL STARTER	1	3603015
008	28443-Z1T-701	SPRING, RETURN	2	3315890
008	28443-Z1T-701	SPRING, RETURN	2	3327696
008	28443-Z1T-701	SPRING, RETURN	2	3603015
009	28461-ZH8-013	KNOB, RECOIL STARTER	1	3315890
009	28461-ZH8-013	KNOB, RECOIL STARTER	1	3327696
009	28461-ZH8-013	KNOB, RECOIL STARTER	1	3327696
010	28462-Z1T-701	ROPE, RECOIL STARTER	1	3315890
010	28462-Z1T-701	ROPE, RECOIL STARTER	1	3327696
010	28462-Z1T-701	ROPE, RECOIL STARTER	1	3603015
011	90003-ZH8-801	SCREW, SETTING	1	1267934
011	90003-ZH8-801	SCREW, SETTING	1	3807942
012	90008-Z1T-000	BOLT, FLANGE, 6X10	3	3327696
012	90008-Z1T-000	BOLT, FLANGE, 6X10	3	3603015
013	28431-ZH8-801	PLATE, FRICTION	1	1267934
013	28431-ZH8-801	PLATE, FRICTION	1	3807942
014	28441-ZH8-801	SPRING, FRICTION	1	1267934
014	28441-ZH8-801	SPRING, FRICTION	1	3807942
015	06280-Z1T-305	STARTER SET, RECOIL	1	3327696 3807941
015	06280-Z1T-305	STARTER SET, RECOIL	1	3603015 3918998



Z1T0E1200D

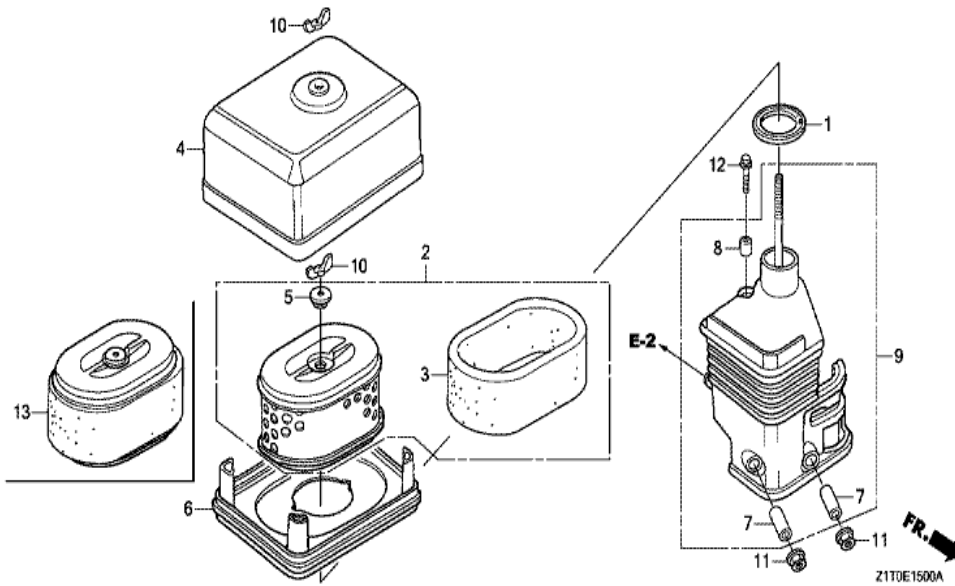
Ref	Partnumber	Description	GX160H1	Serial Numbers
002	19610-ZE1-010ZP	COVER COMP., FAN *R280 *	1	
002	19610-ZE1-010ZP	COVER COMP., FAN *R280 *	1	
005	19631-Z1T-000	SHROUD	1	
005	19631-Z1T-000	SHROUD	1	
007	34150-ZH7-013	ALERT UNIT, OIL	1	
009	36100-ZF6-P82	SWITCH ASSY., ENGINE STOP	1	
011	90013-883-000	BOLT, FLANGE, 6X12 (CT200)	6	
012	90022-888-010	BOLT, FLANGE, 6X20 (CT200)	1	
014	90601-Z1T-003	CLIP, HARNESS	1	
015	95701-0600800	BOLT, FLANGE, 6X8	1	
022	19611-ZH8-810	PLATE COMP., SIDE (OIL ALERT)	1	
022	19611-ZH8-810	PLATE COMP., SIDE (OIL ALERT)	1	



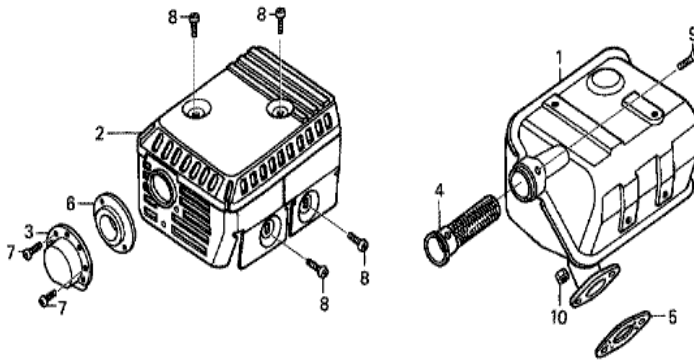
FR. →
Z1T0E1401E

Ref	Partnumber	Description	GX160H1	Serial Numbers
001	16010-ZE1-812	GASKET SET	1	
002	16011-ZE0-005	VALVE SET, FLOAT	1	BE65T A
002	16011-ZE0-005	VALVE SET, FLOAT	1	BE65T A
003	16013-Z0S-B01	FLOAT SET	1	BE65T A BE65T A
003	16013-Z0S-B01	FLOAT SET	1	BE65T A BE65T A
003	16013-Z1T-711	FLOAT SET	1	BEA4E A
003	16013-Z1T-711	FLOAT SET	1	BEA4E A
004	16015-ZE0-831	CHAMBER SET, FLOAT	1	
005	16016-ZH7-W01	SCREW SET, PILOT	1	BEA4E B
005	16016-ZH7-W01	SCREW SET, PILOT	1	BEA4E B
006	16024-ZE1-811	SCREW SET, DRAIN	1	
007	16028-ZDK-003	SCREW SET	1	BEA4E C
007	16028-ZDK-003	SCREW SET	1	BEA4E C

<u>Ref</u>	<u>Partnumber</u>	<u>Description</u>	<u>GX160H1</u>	<u>Serial Numbers</u>
007	16028-ZE0-005	SCREW SET	1	BEA4E B
008	16044-ZE0-005	CHOKE SET	1	
009	16100-Z1T-711	CARBURETOR ASSY. (BEA4E A/B/C)	1	3394084
009	16100-Z1T-711	CARBURETOR ASSY. (BEA4E A/B/C)	1	3394084
009	16100-Z1T-W51	CARBURETOR ASSY. (BE65T A)	1	
009	16100-Z1T-W51	CARBURETOR ASSY. (BE65T A)	1	3394083
009	16100-Z1T-W51	CARBURETOR ASSY. (BE65T A)	1	1417732 3394083
010	16124-ZE0-005	SCREW, THROTTLE STOP	1	
011	16166-ZDK-003	NOZZLE, MAIN	1	BEA4E C
011	16166-ZDK-003	NOZZLE, MAIN	1	BEA4E C
011	16166-ZH8-W50	NOZZLE, MAIN	1	
011	16166-ZH8-W50	NOZZLE, MAIN	1	BEA4E B
011	16166-ZH8-W50	NOZZLE, MAIN	1	BEA4E B
012	16173-001-004	PACKING, FUEL STRAINER CUP	1	
013	16211-Z1T-000	INSULATOR, CARBURETOR (JLH)	1	
014	16212-Z1T-701	PACKING, INSULATOR (NINGBO SIL GASKET)	1	
014	16212-Z1T-701	PACKING, INSULATOR (NINGBO SIL GASKET)	1	
014	16212-ZH8-800	PACKING, INSULATOR	1	
014	16212-ZH8-800	PACKING, INSULATOR	1	
015	16220-ZE1-020	SPACER COMP., CARBURETOR	1	
016	16221-Z1T-701	PACKING, CARBURETOR (NINGBO SIL GASKET)	1	
016	16221-Z1T-701	PACKING, CARBURETOR (NINGBO SIL GASKET)	1	
016	16221-ZH8-801	PACKING, CARBURETOR	1	
016	16221-ZH8-801	PACKING, CARBURETOR	1	
017	16610-Z1T-000	LEVER COMP., CHOKE (STD.)	1	
018	16953-ZDK-003	LEVER, COCK	1	BEA4E C
018	16953-ZDK-003	LEVER, COCK	1	BEA4E C
018	16953-ZE1-812	LEVER, COCK	1	BEA4E B
019	16954-ZE1-812	PLATE, LEVER SETTING	1	
020	16956-ZE1-811	SPRING, COCK LEVER	1	
021	16957-ZE1-812	PACKING, FUEL COCK	1	
022	16967-ZE0-811	CUP, FUEL STRAINER	1	
023	93500-030061H	SCREW, PAN, 3X6	2	
<u>Ref</u>	<u>Partnumber</u>	<u>Description</u>	<u>GX160H1</u>	<u>Serial Numbers</u>
024	94305-20122	PIN, SPRING, 2X12	1	
025	99101-ZDK0650	JET, MAIN, #65	(1)	BEA4E C
025	99101-ZDK0650	JET, MAIN, #65	(1)	BEA4E C
025	99101-ZDK0680	JET, MAIN, #68	(1)	BEA4E C
025	99101-ZDK0680	JET, MAIN, #68	(1)	BEA4E C
025	99101-ZDK0700	JET, MAIN, #70	1	BEA4E C
025	99101-ZDK0700	JET, MAIN, #70	1	BEA4E C
025	99101-ZH80650	JET, MAIN, #65	(1)	BEA4E B
025	99101-ZH80650	JET, MAIN, #65	(1)	BEA4E B
025	99101-ZH80680	JET, MAIN, #68	(1)	BEA4E B
025	99101-ZH80680	JET, MAIN, #68	(1)	BEA4E B
025	99101-ZH80700	JET, MAIN, #70	1	BEA4E B
025	99101-ZH80700	JET, MAIN, #70	1	BEA4E B
026	99204-ZE00350	JET SET, PILOT, #35	1	
027	16016-ZDK-003	SCREW SET, PILOT	1	BEA4E C
038	16011-Z1T-711	VALVE SET, FLOAT	1	BEA4E A
039	16141-Z0S-003	WASHER, PLAIN (6.2X10.7 DRAIN)	1	



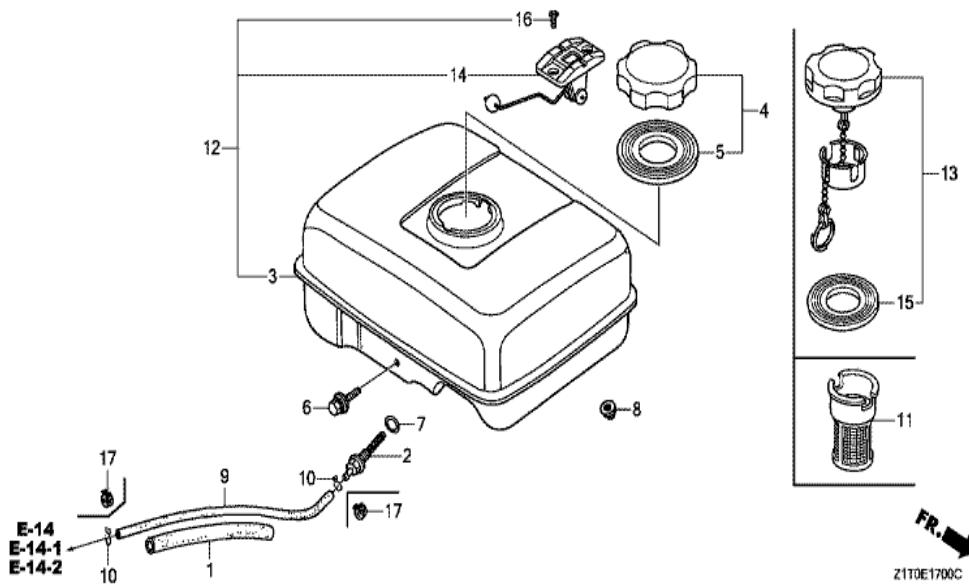
<u>Ref</u>	<u>Partnumber</u>	<u>Description</u>	<u>GX160H1</u>	<u>Serial Numbers</u>
001	16271-ZE1-000	PACKING, ELBOW	1	
002	17210-ZE1-822	ELEMENT, AIR CLEANER (DUAL)	1	
003	17218-ZE1-821	FILTER, OUTER	1	
004	17230-ZE1-820	COVER, AIR CLEANER (DUAL)	1	
005	17232-891-000	GROMMET, AIR CLEANER	1	
007	17238-ZE7-010	COLLAR, AIR CLEANER	2	
008	17239-ZE1-000	COLLAR B, AIR CLEANER	1	
009	17410-Z1T-000	ELBOW COMP., AIR CLEANER	1	3599091
009	17410-Z1T-000	ELBOW COMP., AIR CLEANER	1	3599091
009	17410-Z1T-010	ELBOW COMP., AIR CLEANER	1	3599092
010	90325-044-000	NUT, TOOL BOX SETTING	2	
011	94050-06000	NUT, FLANGE, 6MM	2	
012	95701-0602000	BOLT, FLANGE, 6X20	1	
<u>Ref</u>	<u>Partnumber</u>	<u>Description</u>	<u>GX160H1</u>	<u>Serial Numbers</u>
013	17210-Z1T-621	ELEMENT, AIR CLEANER (DUAL)	1	4452456



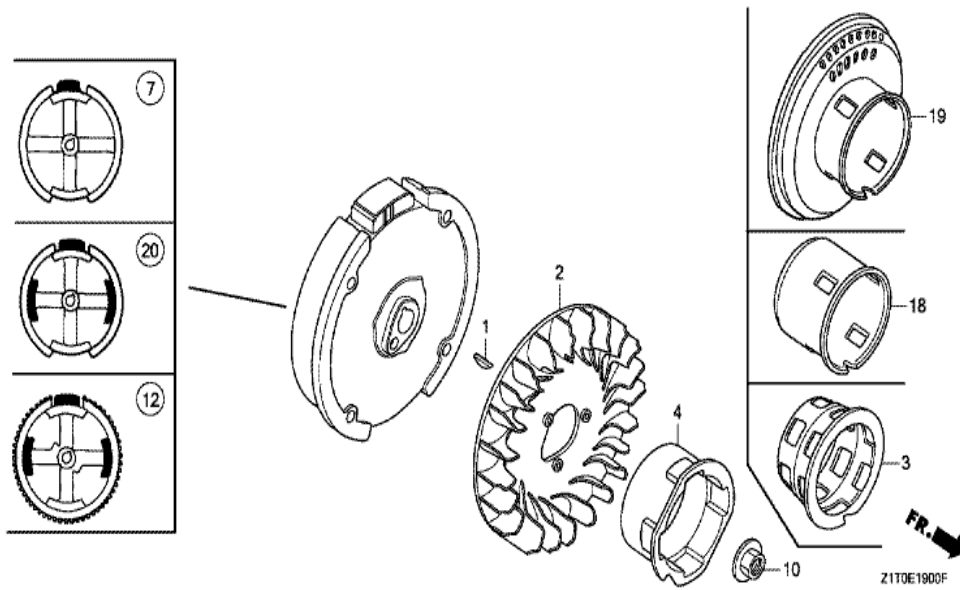
FR.

ZIT0-E1600

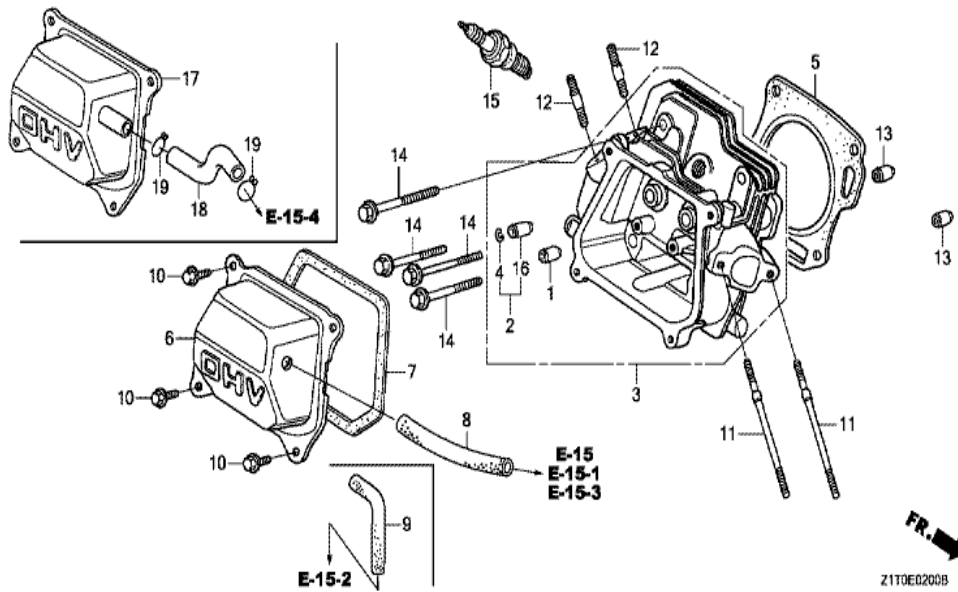
<u>Ref</u>	<u>Partnumber</u>	<u>Description</u>	<u>GX160H1</u>	<u>Serial Numbers</u>
001	18310-Z1T-000	MUFFLER COMP.	1	3622446
001	18310-Z1T-000	MUFFLER COMP.	1	3622446
001	18310-Z1T-010	MUFFLER COMP.	1	3622447
001	18310-Z1T-010	MUFFLER COMP.	1	3622447
001	18310-ZH8-810	MUFFLER COMP. (ARRESTER)	(1)	
001	18310-ZH8-810	MUFFLER COMP. (ARRESTER)	(1)	
001	18310-ZH8-810	MUFFLER COMP. (ARRESTER)	(1)	
002	18320-Z1T-010	PROTECTOR, MUFFLER (STD.)	1	
004	18355-ZE1-000	ARRESTER, SPARK	(1)	
005	18381-Z1T-003	GASKET, MUFFLER	1	
005	18381-Z1T-701	GASKET, MUFFLER (NINGBO SIL GASKET)	1	
008	90050-ZE1-000	SCREW, TAPPING, 5X8	4	
009	90055-ZE1-000	SCREW, TAPPING, 4X6	(1)	
<u>Ref</u>	<u>Partnumber</u>	<u>Description</u>	<u>GX160H1</u>	<u>Serial Numbers</u>
010	94001-08000S	NUT, HEX., 8MM	2	



Ref	Partnumber	Description	GX160H1	Serial Numbers
001	16854-ZH8-000	RUBBER, SUPPORTER (107MM)	1	
002	16955-Z1T-010	JOINT, FUEL TANK	1	
002	16955-Z1T-010	JOINT, FUEL TANK	1	
003	17510-ZE1-030ZA	TANK COMP., FUEL *NH31 *	1	
003	17510-ZE1-030ZA	TANK COMP., FUEL *NH31 *	1	
004	17620-Z1T-800	CAP COMP., FUEL FILLER (CHROME PLATED) (1	
005	17631-Z1T-800	PACKING, FUEL FILLER CAP (39X62X3) (TOUY	1	
006	90004-Z1T-000	BOLT, FLANGE, 6X29	1	
007	91353-671-004	O-RING, 14MM (NOK)	1	
008	94050-06000	NUT, FLANGE, 6MM	2	
009	95001-4514040	TUBE, FUEL, 4.5X140 (95001-45001-60M)	1	
010	95002-02080	CLIP, TUBE (B8)	2	

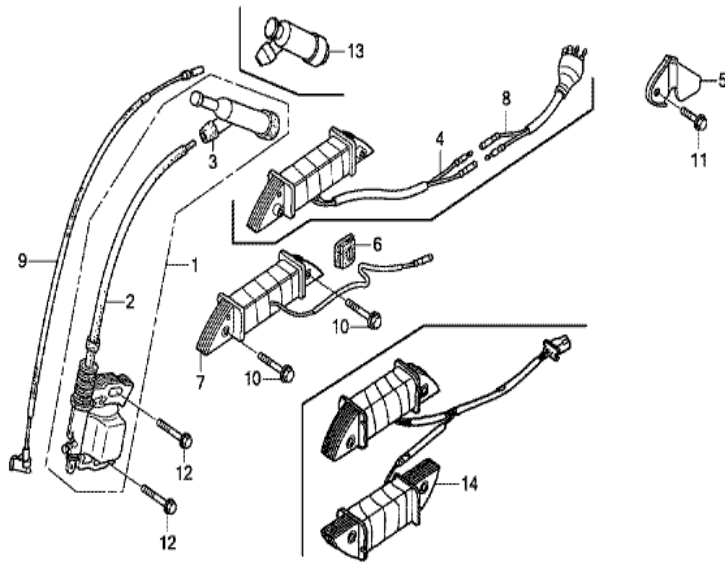


Ref	Partnumber	Description	GX160H1	Serial Numbers
001	13331-357-000	KEY, SPECIAL WOODRUFF, 25X18	1	
002	19511-Z1T-000	FAN, COOLING	1	
004	28451-Z1T-700	PULLEY, STARTER	1	1267934
004	28451-Z1T-700	PULLEY, STARTER	1	3103959
004	28451-Z1T-700	PULLEY, STARTER	1	3603015
007	31110-Z1T-003	FLYWHEEL COMP. (KOKUSAN)	1	
010	90201-Z1T-000	NUT, SPECIAL, 14MM	1	
018	28451-Z1T-000	PULLEY, STARTER	1	1267933
018	28451-Z1T-000	PULLEY, STARTER	1	3103958
018	28451-Z1T-000	PULLEY, STARTER	1	3103958



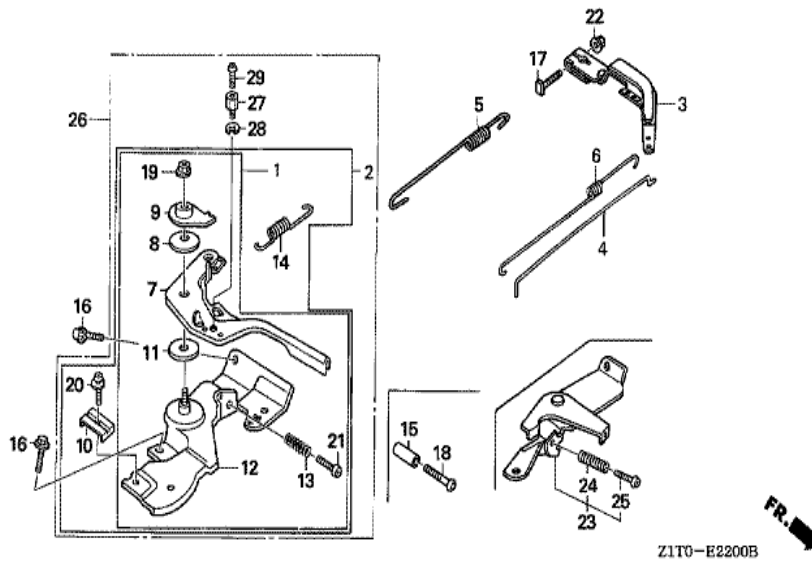
Z1T0E0200B

<u>Ref</u>	<u>Partnumber</u>	<u>Description</u>	<u>GX160H1</u>	<u>Serial Numbers</u>
001	12204-Z1T-305	GUIDE, IN. VALVE (O.S.)	1	
003	12210-Z1T-405	HEAD COMP., CYLINDER	1	
004	12216-ZE5-300	CLIP, VALVE GUIDE	1	
005	12251-Z1T-003	GASKET, CYLINDER HEAD (GUANGZHOU LEAKLES	1	
005	12251-Z1T-701	GASKET, CYLINDER HEAD (NINGBO SIL GASKET	1	
006	12310-ZE1-020	COVER COMP., HEAD	1	
007	12312-Z1T-701	PACKING, HEAD COVER (NINGBO SIL GASKET)	1	
007	12391-ZE1-000	PACKING, HEAD COVER	1	
007	12391-ZE1-000	PACKING, HEAD COVER	1	
008	15721-ZH8-000	TUBE, BREATHER	1	
010	90013-883-000	BOLT, FLANGE, 6X12 (CT200)	4	
011	90043-ZE1-020	BOLT, STUD, 6X112	2	
012	90047-ZE1-000	BOLT, STUD, 8X32	2	
<u>Ref</u>	<u>Partnumber</u>	<u>Description</u>	<u>GX160H1</u>	<u>Serial Numbers</u>
013	94301-10160	DOWEL PIN, 10X16	2	
014	95701-0806000	BOLT, FLANGE, 8X60	4	
015	98079-55855	PLUG, SPARK (W16EPR-U) (DENSO)	(1)	
015	98079-55876	PLUG, SPARK (BPR5ES) (NGK)	(1)	
015	98079-56846	PLUG, SPARK (BPR6ES) (NGK)	1	
015	98079-56855	PLUG, SPARK (W20EPR-U) (DENSO)	1	
016	12205-Z1T-305	GUIDE, EX. VALVE (O.S.)	1	



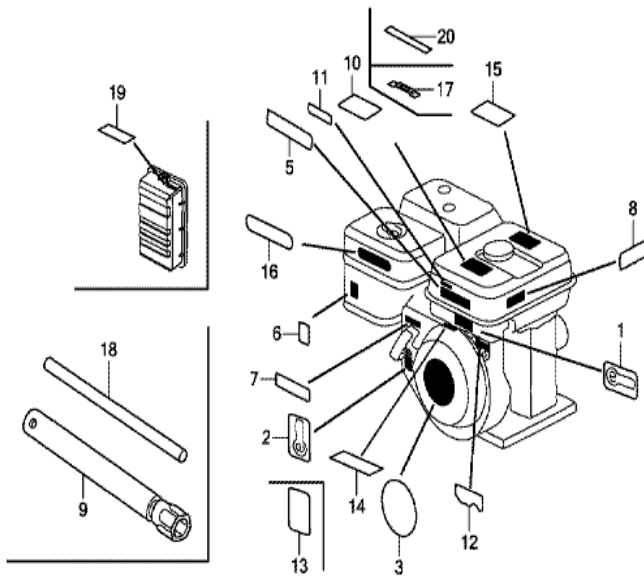
Z1T0E2000

Ref	Partnumber	Description	GX160H1	Serial Numbers
001	30500-Z1T-023	COIL ASSY., IGNITION (TEC)	1	
003	30700-Z1T-003	CAP ASSY., NOISE SUPPRESSOR (TEC)	1	
009	36101-ZE1-010	CORD, STOP SWITCH (370MM)	1	
009	36101-ZE1-010	CORD, STOP SWITCH (370MM)	1	
012	90121-952-000	BOLT, FLANGE, 6X25 (CT200)	2	



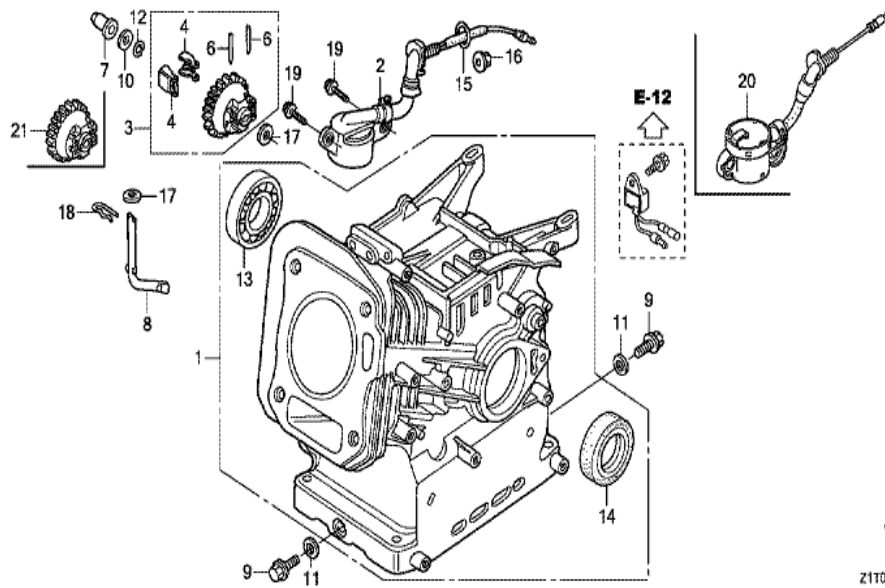
Z1T0-E2200B

<u>Ref</u>	<u>Partnumber</u>	<u>Description</u>	<u>GX160H1</u>	<u>Serial Numbers</u>
001	16500-Z1T-000	CONTROL ASSY.	1	
003	16551-ZL0-000	ARM, GOVERNOR	1	
004	16555-ZE1-000	ROD, GOVERNOR	1	
005	16561-ZL0-000	SPRING, GOVERNOR	1	
005	16561-ZL0-000	SPRING, GOVERNOR	1	
005	16561-ZL0-000	SPRING, GOVERNOR	1	
006	16562-ZE1-020	SPRING, THROTTLE RETURN	1	
007	16571-Z1T-000	LEVER, CONTROL	1	
008	16574-ZE1-000	SPRING, LEVER	1	
009	16575-ZH8-000	WASHER, CONTROL LEVER	1	
011	16578-ZE1-000	SPACER, CONTROL LEVER	1	
012	16580-ZH8-030	BASE COMP., CONTROL	1	
013	16584-883-300	SPRING, CONTROL ADJUSTING	1	
<u>Ref</u>	<u>Partnumber</u>	<u>Description</u>	<u>GX160H1</u>	<u>Serial Numbers</u>
016	90013-883-000	BOLT, FLANGE, 6X12 (CT200)	2	
017	90015-ZE5-010	BOLT, GOVERNOR ARM	1	
019	90114-SA0-000	NUT, SELF-LOCK, 6MM	1	
019	90202-Z1T-000	NUT, SELF-LOCK, 6MM	1	
021	93500-050250A	SCREW, PAN, 5X25	1	
022	94050-06000	NUT, FLANGE, 6MM	1	



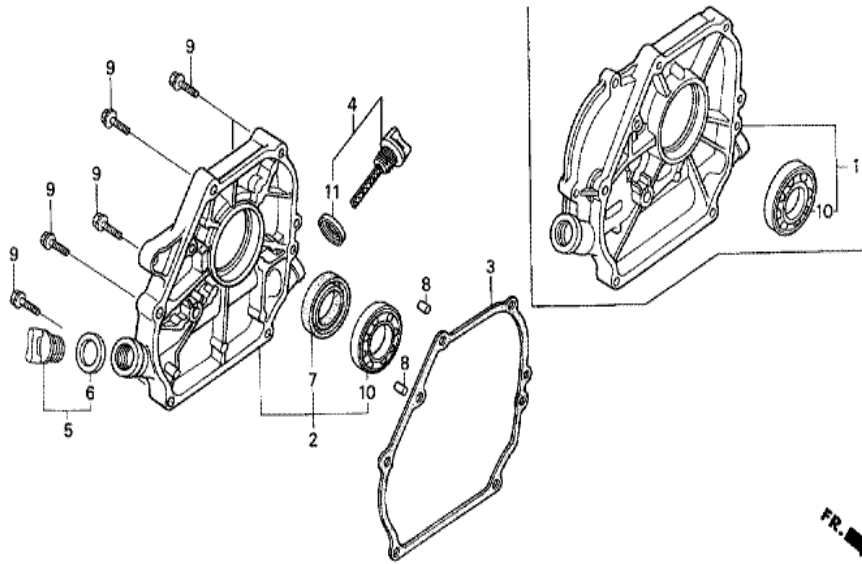
Z1T0E2800G

Ref	Partnumber	Description	GX160H1	Serial Numbers
003	87521-ZH8-040	EMBLEM (GX160)	1	
006	87528-ZE1-810	MARK, CHOKE	1	
010	87516-Z1T-800	MARK, OPERATOR CAUTION	1	
013	87114-ZH7-000	LABEL, WARNING (NOT CERTIFIED FOR SALE)	1	



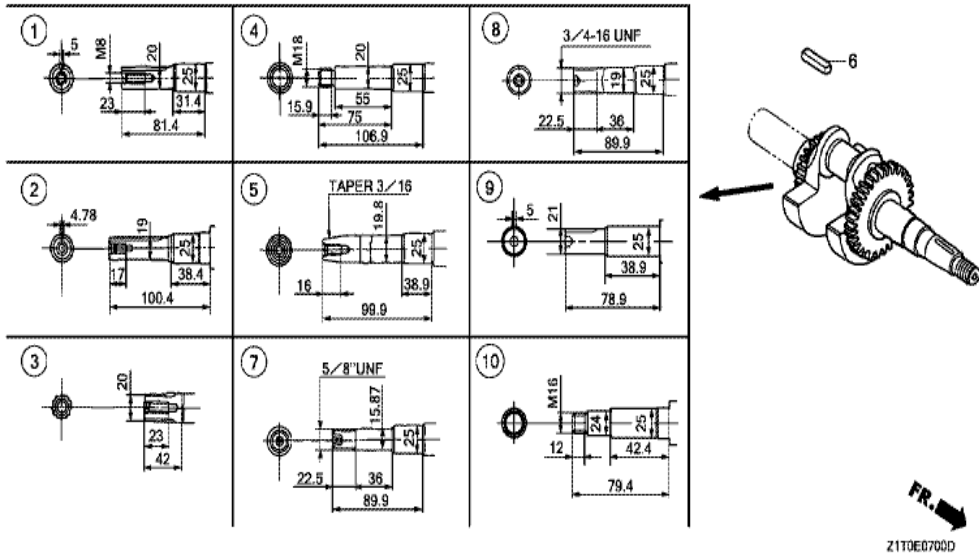
FR. →
Z1T0E03000

Ref	Partnumber	Description	GX160H1	Serial Numbers
001	12000-Z1T-406	BARREL ASSY., CYLINDER	1	
007	16531-Z1T-000	SLIDER, GOVERNOR	1	
008	16541-Z1T-000	SHAFT, GOVERNOR ARM	1	
009	90131-ZE1-000	BOLT, DRAIN PLUG	2	
010	90451-Z1T-000	WASHER, THRUST, 6MM	1	
011	90601-ZE1-000	WASHER, DRAIN PLUG, 10.2MM	2	
012	90602-ZE1-000	CLIP, GOVERNOR HOLDER	1	
013	91001-Z1T-003	BEARING, RADIAL BALL, 6205 (NSK)	1	
013	91001-ZF1-003	BEARING, RADIAL BALL (6205TMB) (NTN)	1	
013	91001-ZF1-004	BEARING, RADIAL BALL (6205SH) (KOYO)	1	
014	91202-Z1T-003	OIL SEAL, 25X41X6	1	
015	91353-Z7E-003	O-RING, 14MM	1	
016	94050-10000	NUT, FLANGE, 10MM	1	
Ref	Partnumber	Description	GX160H1	Serial Numbers
017	94101-06800	WASHER, PLAIN, 6MM	2	
018	94251-08000	PIN, LOCK, 8MM	1	
019	95701-0601200	BOLT, FLANGE, 6X12	2	
020	35480-Z0T-003	SWITCH ASSY., OIL LEVEL	1	
021	16506-ZL0-000	GOVERNOR ASSY.	1	

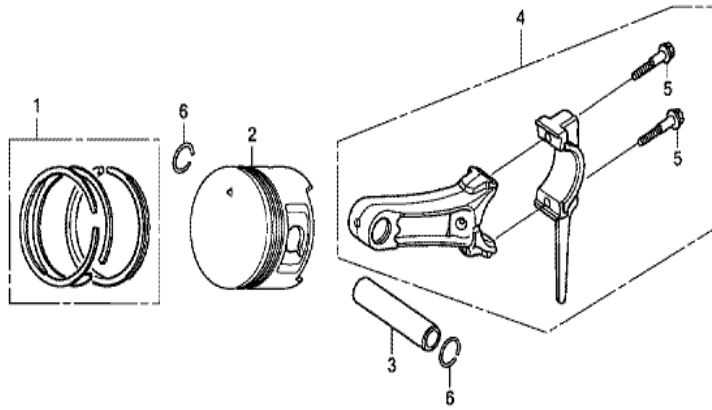


Z1T0-E0600A

<u>Ref</u>	<u>Partnumber</u>	<u>Description</u>	<u>GX160H1</u>	<u>Serial Numbers</u>
002	11300-Z1T-640	COVER ASSY., CRANKCASE	1	
003	11381-Z1T-701	PACKING, CASE COVER (NINGBO SIL GASKET)	1	
003	11381-Z1T-701	PACKING, CASE COVER (NINGBO SIL GASKET)	1	
003	11381-ZH8-801	PACKING, CASE COVER (NON ASBESTOS)	1	
003	11381-ZH8-801	PACKING, CASE COVER (NON ASBESTOS)	1	
004	15600-Z1T-000	CAP ASSY., OIL FILLER	1	
004	15600-Z1T-000	CAP ASSY., OIL FILLER	1	
005	15600-Z1T-600	CAP ASSY., OIL FILLER	1	
005	15600-Z1T-600	CAP ASSY., OIL FILLER	1	
006	15625-Z1T-000	PACKING, OIL FILLER CAP	1	
006	15625-Z1T-000	PACKING, OIL FILLER CAP	1	
007	91202-Z1T-003	OIL SEAL, 25X41X6	1	
008	94301-08140	DOWEL PIN, 8X14	2	
<u>Ref</u>	<u>Partnumber</u>	<u>Description</u>	<u>GX160H1</u>	<u>Serial Numbers</u>
009	95701-0803200	BOLT, FLANGE, 8X32	6	
010	96100-6205000	BEARING, RADIAL BALL, 6205	1	
011	15625-Z1T-000	PACKING, OIL FILLER CAP	1	
011	15625-Z1T-000	PACKING, OIL FILLER CAP	1	



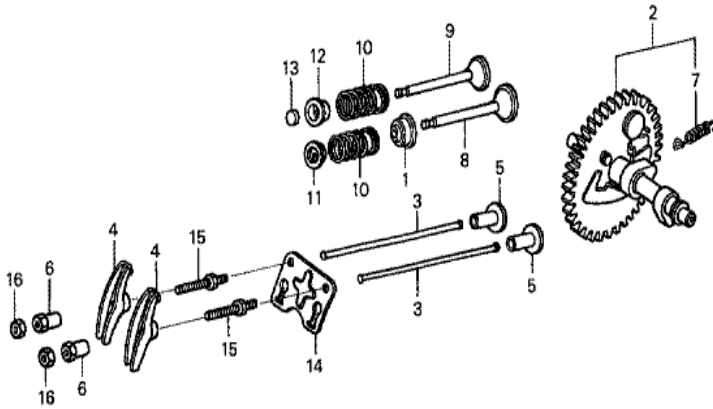
Ref	Partnumber	Description	GX160H1	Serial Numbers
005	13310-Z1T-670	CRANKSHAFT COMP.	1	



FR. →
Z1T0E08000

Ref	Partnumber	Description	GX160H1	Serial Numbers
001	13010-Z1T-701	RING SET, PISTON (STD.) (FUJIAN DONGYA M	1	
001	13010-Z1T-701	RING SET, PISTON (STD.) (FUJIAN DONGYA M	1	
001	13010-Z4K-004	RING SET, PISTON (STD.) (TPR)	1	
001	13010-Z4K-004	RING SET, PISTON (STD.) (TPR)	1	
001	13010-Z4P-003	RING SET, PISTON (STD.) (RIKEN)	1	
001	13010-Z4P-003	RING SET, PISTON (STD.) (RIKEN)	1	
001	13011-Z1T-701	RING SET, PISTON (0.25) (FUJIAN DONGYA M	(1)	
001	13011-Z1T-701	RING SET, PISTON (0.25) (FUJIAN DONGYA M	(1)	
001	13011-Z4K-004	RING SET, PISTON (0.25) (TPR)	(1)	
001	13011-Z4K-004	RING SET, PISTON (0.25) (TPR)	(1)	
001	13011-Z4P-003	RING SET, PISTON (0.25) (RIKEN)	(1)	
001	13011-Z4P-003	RING SET, PISTON (0.25) (RIKEN)	(1)	
001	13012-Z1T-701	RING SET, PISTON (0.50) (FUJIAN DONGYA M	(1)	

<u>Ref</u>	<u>Partnumber</u>	<u>Description</u>	<u>GX160H1</u>	<u>Serial Numbers</u>
001	13012-Z1T-701	RING SET, PISTON (0.50) (FUJIAN DONGYA M		(1)
001	13012-Z4K-004	RING SET, PISTON (0.50) (TPR)		(1)
001	13012-Z4K-004	RING SET, PISTON (0.50) (TPR)		(1)
001	13012-Z4P-003	RING SET, PISTON (0.50) (RIKEN)		(1)
001	13012-Z4P-003	RING SET, PISTON (0.50) (RIKEN)		(1)
001	13013-Z1T-701	RING SET, PISTON (0.75) (FUJIAN DONGYA M		(1)
001	13013-Z1T-701	RING SET, PISTON (0.75) (FUJIAN DONGYA M		(1)
001	13013-Z4K-004	RING SET, PISTON (0.75) (TPR)		(1)
001	13013-Z4K-004	RING SET, PISTON (0.75) (TPR)		(1)
001	13013-Z4P-003	RING SET, PISTON (0.75) (RIKEN)		(1)
001	13013-Z4P-003	RING SET, PISTON (0.75) (RIKEN)		(1)
002	13101-Z1T-010	PISTON (STD.) (JIALING-HONDA)		1
002	13102-Z1T-000	PISTON (0.25)		(1)
002	13103-Z1T-000	PISTON (0.50)		(1)
002	13103-Z1T-000	PISTON (0.50)		(1)
002	13104-Z1T-000	PISTON (0.75)		(1)
002	13104-Z1T-000	PISTON (0.75)		(1)
003	13111-Z1T-000	PIN, PISTON		1
004	13200-Z1T-600	ROD ASSY., CONNECTING (JLH)		1
005	90001-Z1T-000	BOLT, CONNECTING ROD		2
006	90551-ZE1-000	CLIP, PISTON PIN, 18MM		2
007	13210-Z1T-305	ROD COMP., CONNECTING (UNDER SIZE)		(1)



Z1T0-E0900



<u>Ref</u>	<u>Partnumber</u>	<u>Description</u>	<u>GX160H1</u>	<u>Serial Numbers</u>
001	12209-ZH8-003	SEAL, VALVE STEM	1	
002	14100-ZL0-000	CAMSHAFT ASSY.	1	
003	14410-ZE1-010	ROD, PUSH	2	
004	14431-ZE1-000	ARM, VALVE ROCKER	2	
005	14441-ZE1-010	LIFTER, VALVE	2	
006	14451-Z7E-000	PIVOT, ROCKER ARM	2	
007	14568-ZE1-000	SPRING, WEIGHT RETURN	1	
008	14711-ZF1-000	VALVE, IN.	1	
009	14721-ZF1-000	VALVE, EX.	1	
010	14751-ZF1-000	SPRING, VALVE	2	
011	14771-ZE1-000	RETAINER, IN. VALVE SPRING	1	
012	14773-ZE1-000	RETAINER, EX. VALVE SPRING	1	
013	14781-ZE1-000	ROTATOR, VALVE	1	
<u>Ref</u>	<u>Partnumber</u>	<u>Description</u>	<u>GX160H1</u>	<u>Serial Numbers</u>
014	14791-ZE1-010	PLATE, PUSH ROD GUIDE	1	
015	90012-ZE0-010	BOLT, PIVOT, 8MM	2	
016	90206-ZE1-000	NUT, PIVOT ADJUSTING	2	