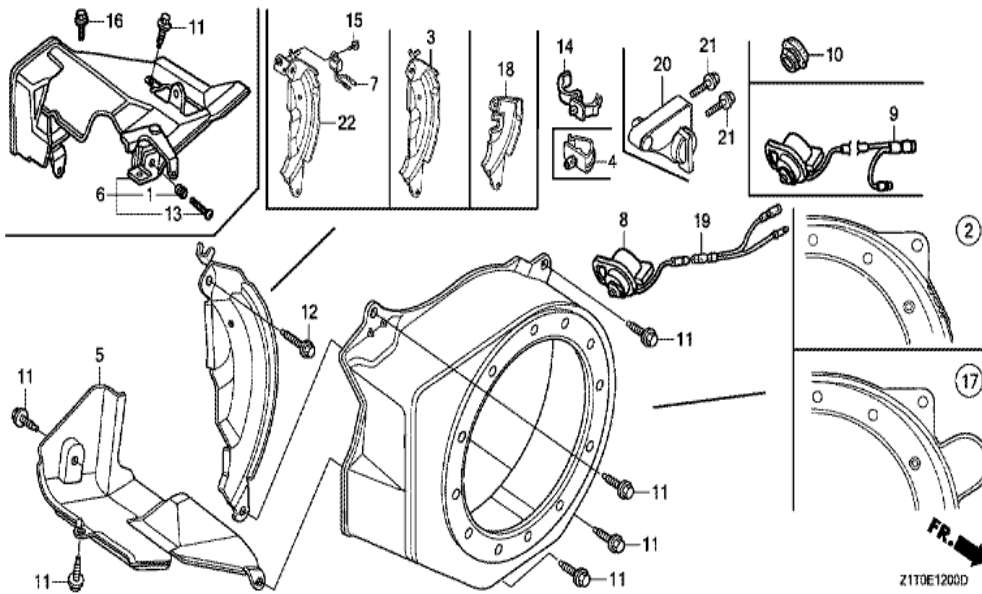
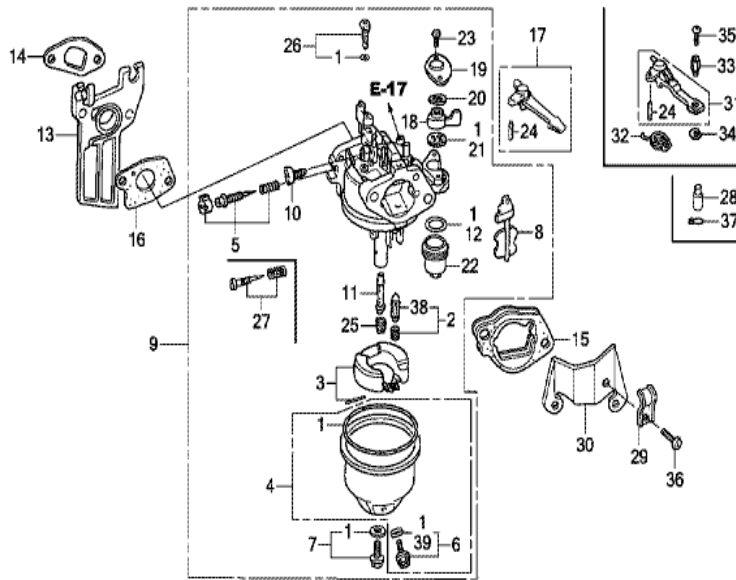


Ref	Partnumber	Description	GX160H1	Serial Numbers
001	28400-ZH8-013YA	STARTER ASSY., RECOIL *R280 *	1	1048007
002	28410-ZH8-003YA	CASE COMP., RECOIL STARTER *R280 *	1	
002	28410-ZH8-003YA	CASE COMP., RECOIL STARTER *R280 *	1	
003	28420-ZH8-013	REEL, RECOIL STARTER (NATURAL)	1	1048007
003	28421-ZH8-801	REEL, RECOIL STARTER (BLACK)	1	
003	28421-ZH8-801	REEL, RECOIL STARTER (BLACK)	1	
003	28421-ZH8-801	REEL, RECOIL STARTER (BLACK)	1	1048008
003	28421-ZH8-801	REEL, RECOIL STARTER (BLACK)	1	1048008
004	28422-ZH8-013	RATCHET, STARTER	2	1048007
005	28433-ZH8-003	GUIDE, RATCHET	1	1048007
006	28441-ZH8-003	SPRING, FRICTION	1	1048007
007	28442-ZH8-003	SPRING, RECOIL STARTER	1	
008	28443-ZH8-003	SPRING, RETURN	2	1048007

<u>Ref</u>	<u>Partnumber</u>	<u>Description</u>	<u>GX160H1</u>	<u>Serial Numbers</u>
009	28461-ZH8-003	GRIP, STARTER	1	
009	28461-ZH8-003	GRIP, STARTER	1	
009	28461-ZH8-003	GRIP, STARTER	1	2066868
009	28461-ZH8-013	KNOB, RECOIL STARTER	1	2066869
009	28461-ZH8-013	KNOB, RECOIL STARTER	1	1267933
009	28461-ZH8-013	KNOB, RECOIL STARTER	1	3315889
009	28461-ZH8-013	KNOB, RECOIL STARTER	1	2066869
010	28462-ZH8-003	ROPE, RECOIL STARTER	1	
011	90003-ZH8-003	SCREW, SETTING	1	1048007
012	90008-Z1T-000	BOLT, FLANGE, 6X10	3	
012	90008-Z1T-000	BOLT, FLANGE, 6X10	3	1267933
013	28400-ZH8-023YA	STARTER ASSY., RECOIL *R280 *	1	2066868
013	28400-ZH8-023YA	STARTER ASSY., RECOIL *R280 *	1	2066868
013	28400-ZH8-023YA	STARTER ASSY., RECOIL *R280 *	1	1048008 2066868
013	28400-ZH8-023YA	STARTER ASSY., RECOIL *R280 *	1	1048008 2066868
013	28400-ZH8-033YA	STARTER ASSY., RECOIL *R280*	1	2066869
013	28400-ZH8-033YA	STARTER ASSY., RECOIL *R280*	1	2066869
013	28400-ZH8-033YA	STARTER ASSY., RECOIL *R280*	1	2066869
013	28400-ZH8-033YA	STARTER ASSY., RECOIL *R280*	1	2066869
014	28422-ZH8-801	RATCHET, STARTER	2	
014	28422-ZH8-801	RATCHET, STARTER	2	1267933
014	28422-ZH8-801	RATCHET, STARTER	2	3603014
014	28422-ZH8-801	RATCHET, STARTER	2	1048008
015	28431-ZH8-801	PLATE, FRICTION	1	
015	28431-ZH8-801	PLATE, FRICTION	1	1267933
015	28431-ZH8-801	PLATE, FRICTION	1	3603014
015	28431-ZH8-801	PLATE, FRICTION	1	1048008
016	28433-ZH8-801	GUIDE, RATCHET	1	
016	28433-ZH8-801	GUIDE, RATCHET	1	1267933
016	28433-ZH8-801	GUIDE, RATCHET	1	3603014
016	28433-ZH8-801	GUIDE, RATCHET	1	1048008
017	28441-ZH8-801	SPRING, FRICTION	1	
017	28441-ZH8-801	SPRING, FRICTION	1	1267933
<u>Ref</u>	<u>Partnumber</u>	<u>Description</u>	<u>GX160H1</u>	<u>Serial Numbers</u>
017	28441-ZH8-801	SPRING, FRICTION	1	3603014
017	28441-ZH8-801	SPRING, FRICTION	1	1048008
018	28443-ZH8-801	SPRING, RETURN	2	
018	28443-ZH8-801	SPRING, RETURN	2	1267933
018	28443-ZH8-801	SPRING, RETURN	2	3603014
018	28443-ZH8-801	SPRING, RETURN	2	1048008
019	90003-ZH8-801	SCREW, SETTING	1	
019	90003-ZH8-801	SCREW, SETTING	1	1267933
019	90003-ZH8-801	SCREW, SETTING	1	3603014
019	90003-ZH8-801	SCREW, SETTING	1	1048008



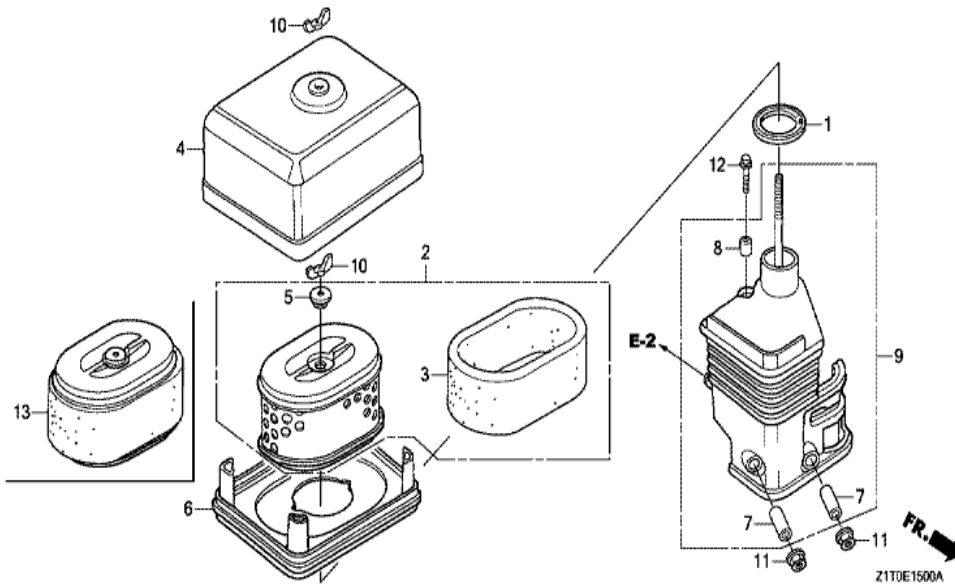
Ref	Partnumber	Description	GX160H1	Serial Numbers
002	19610-ZE1-000ZP	COVER COMP., FAN *R280 *	1	1751731
002	19610-ZE1-000ZP	COVER COMP., FAN *R280 *	1	1751731
002	19610-ZE1-000ZP	COVER COMP., FAN *R280 *	1	1751731
002	19610-ZE1-010ZP	COVER COMP., FAN *R280 *	1	1751732
002	19610-ZE1-010ZP	COVER COMP., FAN *R280 *	1	1751732
002	19610-ZE1-010ZP	COVER COMP., FAN *R280 *	1	1751732
005	19631-Z1T-000	SHROUD	1	
005	19631-Z1T-000	SHROUD	1	
005	19631-Z1T-000	SHROUD	1	
007	34150-ZH7-003	ALERT UNIT, OIL	1	
009	36100-ZF6-P81	SWITCH ASSY., ENGINE STOP	1	1412769
009	36100-ZF6-P82	SWITCH ASSY., ENGINE STOP	1	1412769
009	36100-ZF6-P82	SWITCH ASSY., ENGINE STOP	1	1412769
Ref	Partnumber	Description	GX160H1	Serial Numbers
009	36100-ZH7-003	SWITCH ASSY., ENGINE STOP	1	1412768
009	36100-ZH7-003	SWITCH ASSY., ENGINE STOP	1	1412768
009	36100-ZH7-003	SWITCH ASSY., ENGINE STOP	1	1412768
009	36100-ZH7-003	SWITCH ASSY., ENGINE STOP	1	1412768
011	90013-883-000	BOLT, FLANGE, 6X12 (CT200)	6	
012	90022-888-010	BOLT, FLANGE, 6X20 (CT200)	1	
014	90601-Z1T-003	CLIP, HARNESS	1	
014	90601-Z1T-003	CLIP, HARNESS	1	1957164
014	90601-ZH7-013	CLIP, HARNESS	1	1957163
014	90601-ZH7-013	CLIP, HARNESS	1	1957163
014	90601-ZH7-013	CLIP, HARNESS	1	1957163
015	95701-0600800	BOLT, FLANGE, 6X8	1	
022	19611-ZH8-810	PLATE COMP., SIDE (OIL ALERT)	1	
022	19611-ZH8-810	PLATE COMP., SIDE (OIL ALERT)	1	



FR. →  
Z1T0E1401E

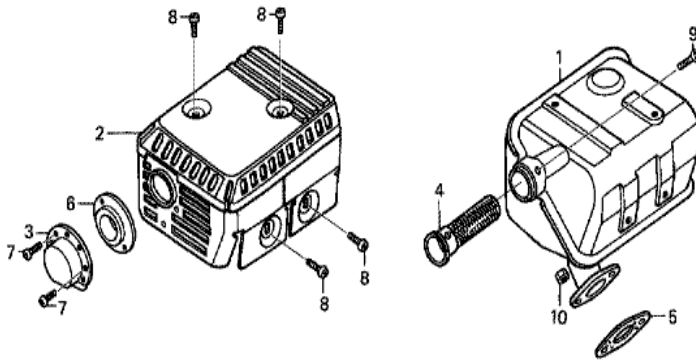
Ref	Partnumber	Description	GX160H1	Serial Numbers
001	16010-ZE1-812	GASKET SET	1	
002	16011-ZE0-005	VALVE SET, FLOAT	1	
003	16013-ZE0-005	FLOAT SET	1	BE65B B
003	16013-ZE0-005	FLOAT SET	1	
003	16013-ZE0-005	FLOAT SET	1	
003	16013-ZE0-005	FLOAT SET	1	
004	16015-ZE0-831	CHAMBER SET, FLOAT	1	
006	16024-ZE1-811	SCREW SET, DRAIN	1	
007	16028-ZE0-005	SCREW SET	1	
007	16028-ZE0-005	SCREW SET	1	
008	16044-ZE0-005	CHOKE SET	1	
009	16100-ZH8-822	CARBURETOR ASSY. (BE06J C)	1	
009	16100-ZH8-822	CARBURETOR ASSY. (BE06J C)	1	


<u>Ref</u>	<u>Partnumber</u>	<u>Description</u>	<u>GX160H1</u>	<u>Serial Numbers</u>
009	16100-ZH8-822	CARBURETOR ASSY. (BE06J C)	1	
009	16100-ZH8-822	CARBURETOR ASSY. (BE06J C)	1	
009	16100-ZH8-822	CARBURETOR ASSY. (BE06J C)	1	
009	16100-ZH8-822	CARBURETOR ASSY. (BE06J C)	1	
009	16100-ZH8-822	CARBURETOR ASSY. (BE06J C)	1	
010	16124-ZE0-005	SCREW, THROTTLE STOP	1	
011	16166-ZH8-W50	NOZZLE, MAIN	1	
011	16166-ZH8-W50	NOZZLE, MAIN	1	
011	16166-ZH8-W50	NOZZLE, MAIN	1	
011	16166-ZH8-W50	NOZZLE, MAIN	1	
012	16173-001-004	PACKING, FUEL STRAINER CUP	1	
013	16211-Z1T-000	INSULATOR, CARBURETOR (JLH)	1	
013	16211-Z1T-000	INSULATOR, CARBURETOR (JLH)	1	
014	16212-Z1T-701	PACKING, INSULATOR (NINGBO SIL GASKET)	1	
014	16212-Z1T-701	PACKING, INSULATOR (NINGBO SIL GASKET)	1	
014	16212-ZH8-800	PACKING, INSULATOR	1	
014	16212-ZH8-800	PACKING, INSULATOR	1	
015	16220-ZE1-020	SPACER COMP., CARBURETOR	1	
016	16221-Z1T-701	PACKING, CARBURETOR (NINGBO SIL GASKET)	1	
016	16221-Z1T-701	PACKING, CARBURETOR (NINGBO SIL GASKET)	1	
016	16221-ZH8-801	PACKING, CARBURETOR	1	
016	16221-ZH8-801	PACKING, CARBURETOR	1	
017	16610-Z1T-000	LEVER COMP., CHOKE (STD.)	1	
017	16610-Z1T-000	LEVER COMP., CHOKE (STD.)	1	
018	16953-ZE1-812	LEVER, COCK	1	
018	16953-ZE1-812	LEVER, COCK	1	
019	16954-ZE1-812	PLATE, LEVER SETTING	1	
020	16956-ZE1-811	SPRING, COCK LEVER	1	
021	16957-ZE1-812	PACKING, FUEL COCK	1	
022	16967-ZE0-811	CUP, FUEL STRAINER	1	
023	93500-030061H	SCREW, PAN, 3X6	2	
024	94305-20122	PIN, SPRING, 2X12	1	
025	99101-ZH80650	JET, MAIN, #65	(1)	
<u>Ref</u>	<u>Partnumber</u>	<u>Description</u>	<u>GX160H1</u>	<u>Serial Numbers</u>
025	99101-ZH80650	JET, MAIN, #65	(1)	
025	99101-ZH80650	JET, MAIN, #65	(1)	
025	99101-ZH80680	JET, MAIN, #68	(1)	
025	99101-ZH80680	JET, MAIN, #68	(1)	
025	99101-ZH80680	JET, MAIN, #68	(1)	
025	99101-ZH80680	JET, MAIN, #68	(1)	
025	99101-ZH80680	JET, MAIN, #68	(1)	
025	99101-ZH80700	JET, MAIN, #70	1	
025	99101-ZH80700	JET, MAIN, #70	1	
025	99101-ZH80700	JET, MAIN, #70	1	
025	99101-ZH80700	JET, MAIN, #70	1	
026	99204-ZE00350	JET SET, PILOT, #35	1	
027	16016-ZE0-005	SCREW SET, PILOT	1	
027	16016-ZE0-005	SCREW SET, PILOT	1	
039	16141-Z0S-003	WASHER, PLAIN (6.2X10.7 DRAIN)	1	



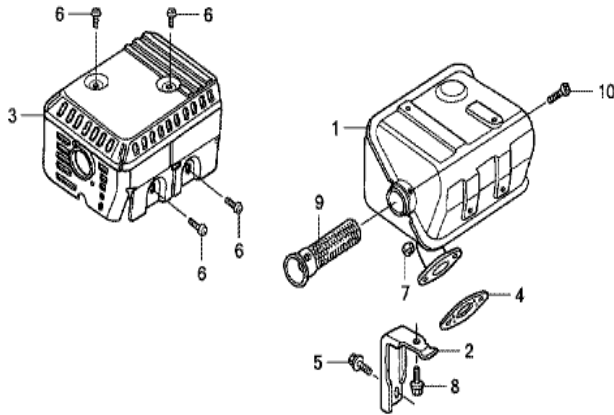
Z1T0E1500A

<u>Ref</u>	<u>Partnumber</u>	<u>Description</u>	<u>GX160H1</u>	<u>Serial Numbers</u>
001	16271-ZE1-000	PACKING, ELBOW	1	
002	17210-ZE1-822	ELEMENT, AIR CLEANER (DUAL)	1	
003	17218-ZE1-821	FILTER, OUTER	1	
004	17230-ZE1-820	COVER, AIR CLEANER (DUAL)	1	
005	17232-891-000	GROMMET, AIR CLEANER	1	
007	17238-ZE7-010	COLLAR, AIR CLEANER	2	
008	17239-ZE1-000	COLLAR B, AIR CLEANER	1	
009	17410-Z1T-000	ELBOW COMP., AIR CLEANER	1	3599091
009	17410-Z1T-000	ELBOW COMP., AIR CLEANER	1	3599091
009	17410-Z1T-010	ELBOW COMP., AIR CLEANER	1	3599092
010	90325-044-000	NUT, TOOL BOX SETTING	2	
011	94050-06000	NUT, FLANGE, 6MM	2	
012	95701-0602000	BOLT, FLANGE, 6X20	1	
<u>Ref</u>	<u>Partnumber</u>	<u>Description</u>	<u>GX160H1</u>	<u>Serial Numbers</u>
013	17210-Z1T-621	ELEMENT, AIR CLEANER (DUAL)	1	4452456



ZIT0-E1600 

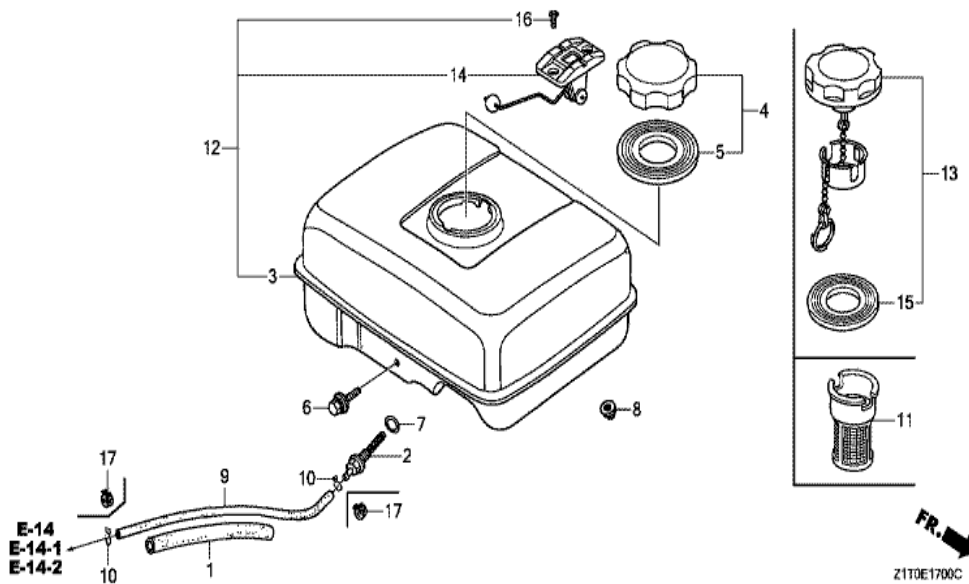
Ref	Partnumber	Description	GX160H1	Serial Numbers
001	18310-ZH8-810	MUFFLER COMP. (ARRESTER)	(1)	
001	18310-ZH8-810	MUFFLER COMP. (ARRESTER)	(1)	
001	18310-ZH8-810	MUFFLER COMP. (ARRESTER)	(1)	
001	18310-ZH8-810	MUFFLER COMP. (ARRESTER)	(1)	
004	18355-ZE1-000	ARRESTER, SPARK	(1)	
009	90055-ZE1-000	SCREW, TAPPING, 4X6	(1)	



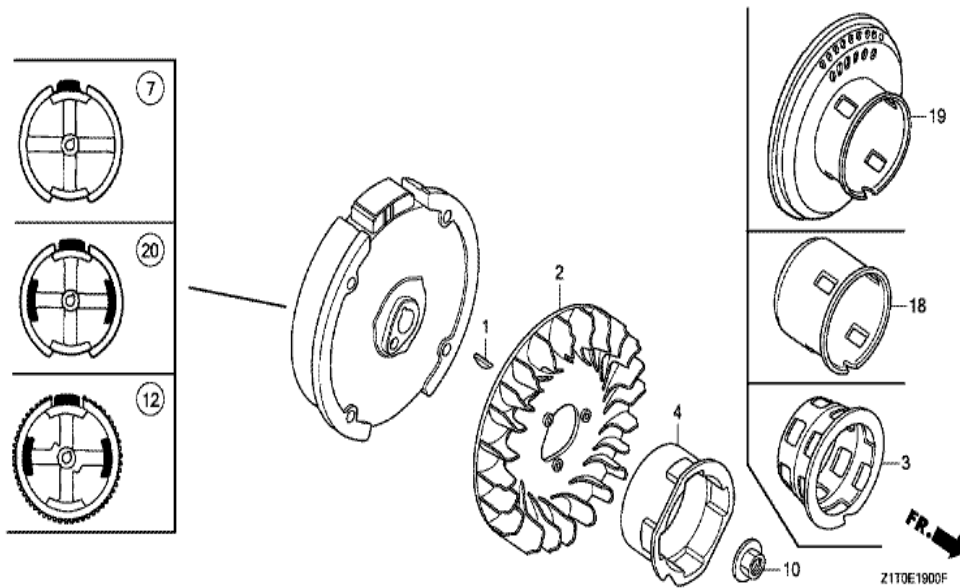
FR. →  
Z1T0E1602A

Ref	Partnumber	Description	GX160H1	Serial Numbers
001	18310-ZE1-821	MUFFLER COMP. (SILENT)	1	
001	18310-ZE1-821	MUFFLER COMP. (SILENT)	1	
002	18315-ZE1-000	STAY, MUFFLER	1	
003	18320-Z1T-600	PROTECTOR, MUFFLER (SILENT)	1	
004	18381-Z1T-003	GASKET, MUFFLER	1	
004	18381-Z1T-701	GASKET, MUFFLER (NINGBO SIL GASKET)	1	
005	90016-ZE1-000	BOLT, FLANGE, 6X13 (CT200)	1	
006	90050-ZE3-H00	SCREW, TAPPING, 5X8	4	
006	90050-ZE3-H00	SCREW, TAPPING, 5X8	4	
007	94001-080000S	NUT, HEX., 8MM	2	
008	95701-0601200	BOLT, FLANGE, 6X12	1	

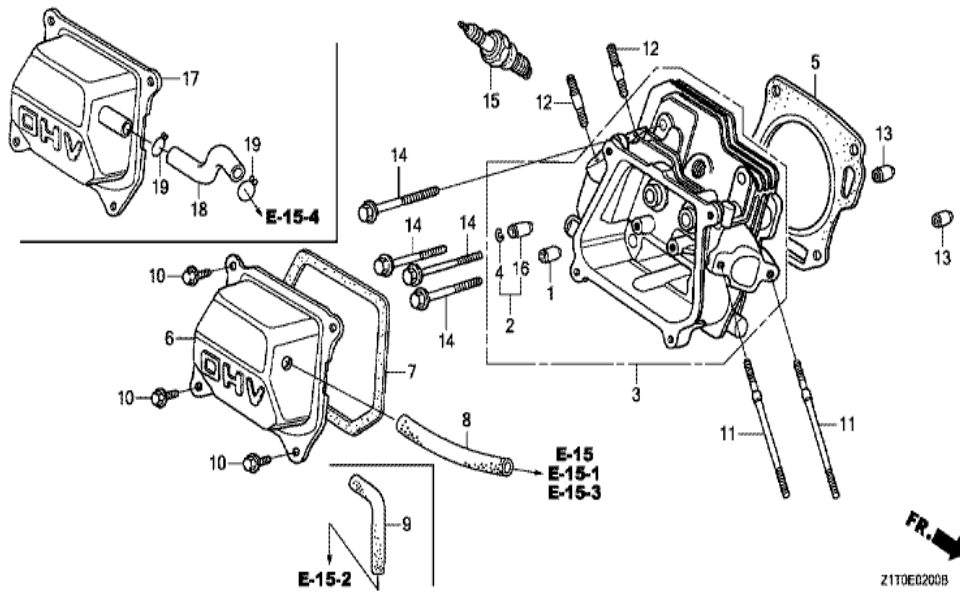




Ref	Partnumber	Description	GX160H1	Serial Numbers
001	16854-ZH8-000	RUBBER, SUPPORTER (107MM)	1	
002	16955-Z1T-000	JOINT, FUEL TANK	1	2363689
002	16955-Z1T-000	JOINT, FUEL TANK	1	2363689
002	16955-Z1T-010	JOINT, FUEL TANK	1	2363690
003	17510-ZE1-020ZA	TANK COMP., FUEL *NH31 *	1	
003	17510-ZE1-020ZA	TANK COMP., FUEL *NH31 *	1	
003	17510-ZE1-020ZA	TANK COMP., FUEL *NH31 *	1	1582838
003	17510-ZE1-030ZA	TANK COMP., FUEL *NH31 *	1	1582839
003	17510-ZE1-030ZA	TANK COMP., FUEL *NH31 *	1	
003	17510-ZE1-030ZA	TANK COMP., FUEL *NH31 *	1	1582839
004	17620-Z1T-800	CAP COMP., FUEL FILLER (CHROME PLATED) (	1	
004	17620-Z1T-800	CAP COMP., FUEL FILLER (CHROME PLATED) (	1	
005	17631-Z1T-800	PACKING, FUEL FILLER CAP (39X62X3) (TOUY	1	
Ref	Partnumber	Description	GX160H1	Serial Numbers
006	90004-Z1T-000	BOLT, FLANGE, 6X29	1	
006	90004-Z1T-000	BOLT, FLANGE, 6X29	1	
007	91353-671-004	O-RING, 14MM (NOK)	1	
008	94050-06000	NUT, FLANGE, 6MM	2	
009	95001-4514040	TUBE, FUEL, 4.5X140 (95001-45001-60M)	1	
009	95001-4514040	TUBE, FUEL, 4.5X140 (95001-45001-60M)	1	
010	95002-02080	CLIP, TUBE (B8)	2	
011	17672-Z1T-000	FILTER, FUEL	1	

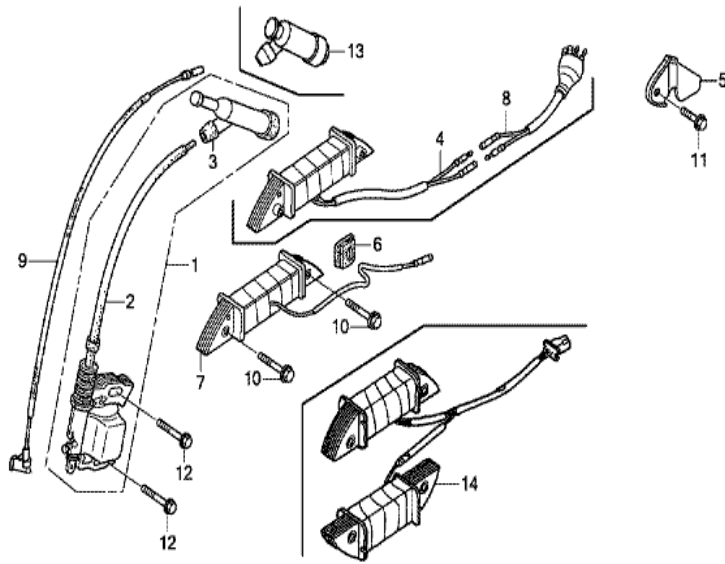


Ref	Partnumber	Description	GX160H1	Serial Numbers
001	13331-357-000	KEY, SPECIAL WOODRUFF, 25X18	1	
002	19511-Z1T-000	FAN, COOLING	1	
002	19511-Z1T-000	FAN, COOLING	1	
004	28451-Z1T-700	PULLEY, STARTER	1	1267934
004	28451-Z1T-700	PULLEY, STARTER	1	3103959
004	28451-Z1T-700	PULLEY, STARTER	1	3603015
004	28451-ZH8-003	PULLEY, STARTER	1	1048007
004	28451-ZH8-003	PULLEY, STARTER	1	1048007
004	28451-ZH8-003	PULLEY, STARTER	1	1048007
004	28451-ZH8-003	PULLEY, STARTER	1	1048007
006	30700-Z1T-003	CAP ASSY., NOISE SUPPRESSOR (TEC)	1	
007	31110-Z1T-003	FLYWHEEL COMP. (KOKUSAN)	1	
007	31110-Z1T-003	FLYWHEEL COMP. (KOKUSAN)	1	2308976
Ref	Partnumber	Description	GX160H1	Serial Numbers
008	36101-ZE1-010	CORD, STOP SWITCH (370MM)	1	
008	36101-ZE1-010	CORD, STOP SWITCH (370MM)	1	
009	90121-952-000	BOLT, FLANGE, 6X25 (CT200)	2	
010	90201-Z1T-000	NUT, SPECIAL, 14MM	1	
010	90201-Z1T-000	NUT, SPECIAL, 14MM	1	
011	30500-Z1T-003	COIL ASSY., IGNITION	1	
011	30500-Z1T-003	COIL ASSY., IGNITION	1	1478099
011	30500-Z1T-013	COIL ASSY., IGNITION	1	1478100 1716432
011	30500-Z1T-013	COIL ASSY., IGNITION	1	1478100 1727332
011	30500-Z1T-023	COIL ASSY., IGNITION (TEC)	1	1727333
011	30500-Z1T-023	COIL ASSY., IGNITION (TEC)	1	1727333
018	28451-Z1T-000	PULLEY, STARTER	1	1056369
018	28451-Z1T-000	PULLEY, STARTER	1	1056369 3103958
018	28451-Z1T-000	PULLEY, STARTER	1	1267933
018	28451-ZH8-801	PULLEY, STARTER	1	1048008 1056368
018	28451-ZH8-801	PULLEY, STARTER	1	1048008 1056368
018	28451-ZH8-801	PULLEY, STARTER	1	1056368
018	28451-ZH8-801	PULLEY, STARTER	1	1048008 1056368



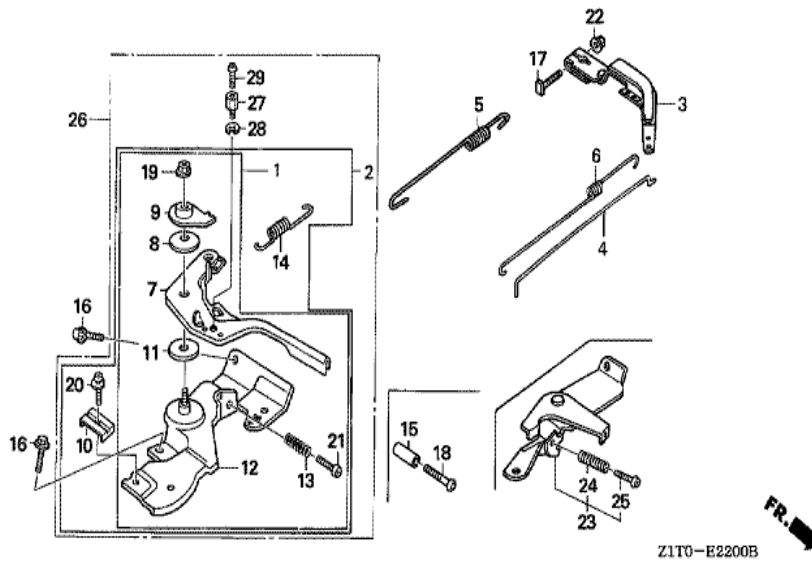
Z1T0E0200B

Ref	Partnumber	Description	GX160H1	Serial Numbers
001	12204-ZE1-306	GUIDE, IN. VALVE (OS)	(1)	
001	12204-ZE1-306	GUIDE, IN. VALVE (OS)	1	
002	12205-ZE1-315	GUIDE, EX. VALVE (OS)	1	
003	12210-Z1T-000	HEAD COMP., CYLINDER	1	1639414
003	12210-Z1T-010	HEAD COMP., CYLINDER	1	
003	12210-Z1T-010	HEAD COMP., CYLINDER	1	1639415
004	12216-ZE5-300	CLIP, VALVE GUIDE	1	
005	12251-Z1T-003	GASKET, CYLINDER HEAD (GUANGZHOU LEAKLES	1	
005	12251-Z1T-003	GASKET, CYLINDER HEAD (GUANGZHOU LEAKLES	1	
005	12251-Z1T-701	GASKET, CYLINDER HEAD (NINGBO SIL GASKET	1	
006	12310-ZE1-020	COVER COMP., HEAD	1	
007	12312-Z1T-701	PACKING, HEAD COVER (NINGBO SIL GASKET)	1	
007	12391-ZE1-000	PACKING, HEAD COVER	1	
<u>Ref</u>	<u>Partnumber</u>	<u>Description</u>	<u>GX160H1</u>	<u>Serial Numbers</u>
007	12391-ZE1-000	PACKING, HEAD COVER	1	
008	15721-ZH8-000	TUBE, BREATHER	1	
010	90013-883-000	BOLT, FLANGE, 6X12 (CT200)	4	
011	90043-ZE1-020	BOLT, STUD, 6X112	2	
011	90043-ZE1-020	BOLT, STUD, 6X112	2	
012	90047-ZE1-000	BOLT, STUD, 8X32	2	
013	94301-10160	DOWEL PIN, 10X16	2	
014	95701-0806000	BOLT, FLANGE, 8X60	4	1615781
014	95723-0806000	BOLT, FLANGE, 8X60	4	1615780
014	95723-0806000	BOLT, FLANGE, 8X60	4	1615780
015	98079-55846	PLUG, SPARK (BPR5ES) (NGK)	(1)	
015	98079-55855	PLUG, SPARK (W16EPR-U) (DENSO)	(1)	
015	98079-55855	PLUG, SPARK (W16EPR-U) (DENSO)	(1)	
015	98079-56841	PLUG, SPARK (BP6ES) (NGK)	1	
015	98079-56841	PLUG, SPARK (BP6ES) (NGK)	1	
015	98079-56841	PLUG, SPARK (BP6ES) (NGK)	1	



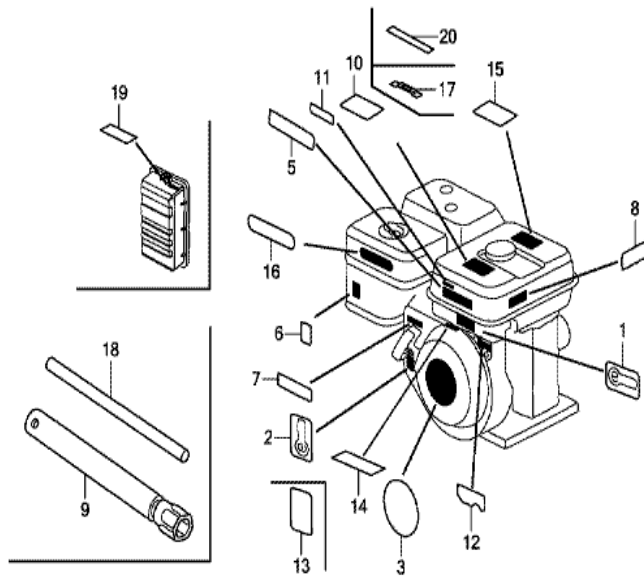
FR.   
 z1T0E2000

Ref	Partnumber	Description	GX160H1	Serial Numbers
001	30500-Z1T-003	COIL ASSY., IGNITION	1	1478099
001	30500-Z1T-013	COIL ASSY., IGNITION	1	1478100 1727332
001	30500-Z1T-023	COIL ASSY., IGNITION (TEC)	1	1727333
003	30700-Z1T-003	CAP ASSY., NOISE SUPPRESSOR (TEC)	1	
009	36101-ZE1-010	CORD, STOP SWITCH (370MM)	1	
009	36101-ZE1-010	CORD, STOP SWITCH (370MM)	1	
012	90121-952-000	BOLT, FLANGE, 6X25 (CT200)	2	



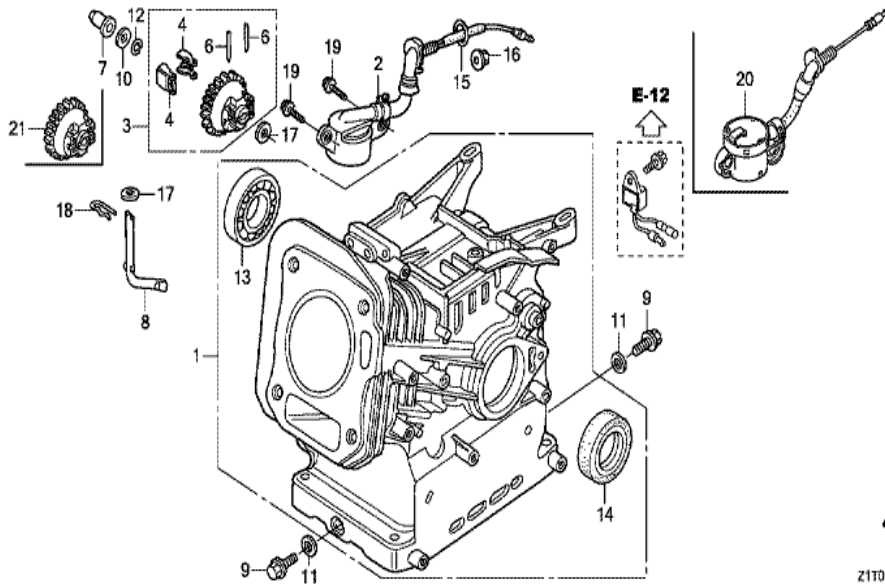
Z1T0-E2200B

<u>Ref</u>	<u>Partnumber</u>	<u>Description</u>	<u>GX160H1</u>	<u>Serial Numbers</u>
003	16551-ZL0-000	ARM, GOVERNOR	1	
003	16551-ZL0-000	ARM, GOVERNOR	1	
004	16555-ZE1-000	ROD, GOVERNOR	1	
005	16561-ZL0-U30	SPRING, GOVERNOR	1	
005	16561-ZL0-U30	SPRING, GOVERNOR	1	
005	16561-ZL0-U30	SPRING, GOVERNOR	1	
005	16561-ZL0-U30	SPRING, GOVERNOR	1	
006	16562-ZE1-020	SPRING, THROTTLE RETURN	1	
016	90013-883-000	BOLT, FLANGE, 6X12 (CT200)	2	
017	90015-ZE5-010	BOLT, GOVERNOR ARM	1	
022	94050-06000	NUT, FLANGE, 6MM	1	
023	16570-ZB2-000	CONTROL ASSY.	1	
023	16570-ZB2-000	CONTROL ASSY.	1	
<u>Ref</u>	<u>Partnumber</u>	<u>Description</u>	<u>GX160H1</u>	<u>Serial Numbers</u>
024	16584-883-300	SPRING, CONTROL ADJUSTING	1	
025	93500-050350A	SCREW, PAN, 5X35	1	
025	93500-050350A	SCREW, PAN, 5X35	1	



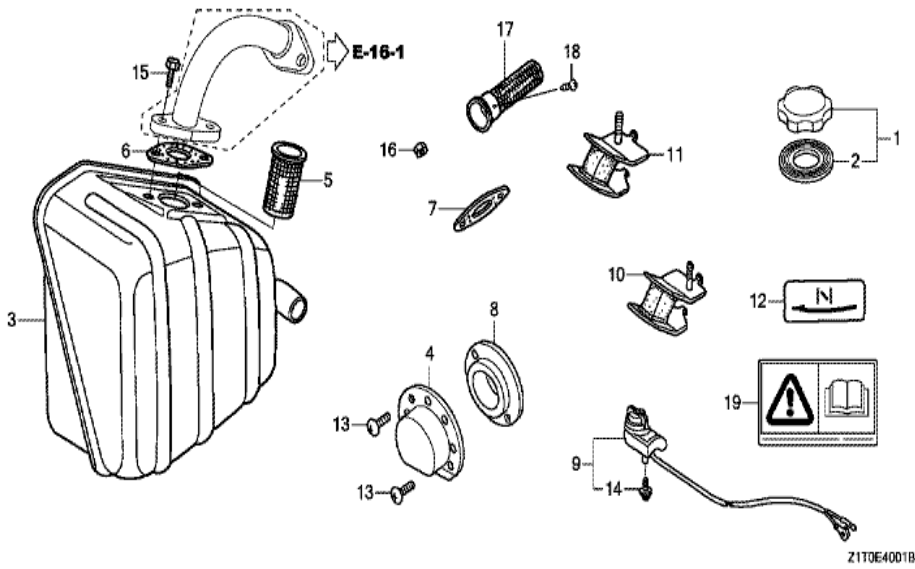
Z1T0E2800G

<u>Ref</u>	<u>Partnumber</u>	<u>Description</u>	<u>GX160H1</u>	<u>Serial Numbers</u>
001	87135-ZE2-020	LABEL, E-SPEC (15.5X27.5)	1	
001	87135-ZE2-020	LABEL, E-SPEC (15.5X27.5)	1	1082052
003	87521-ZH8-030	EMBLEM (GX160 5.5)	1	1548651
003	87521-ZH8-040	EMBLEM (GX160)	1	
003	87521-ZH8-040	EMBLEM (GX160)	1	1548652
005	87522-Z1T-G21	LABEL, CAUTION	1	
005	87522-Z1T-G21	LABEL, CAUTION	1	
006	87528-ZE1-810	MARK, CHOKE	1	
006	87528-ZE1-810	MARK, CHOKE	1	
008	87532-ZH8-810	MARK, OIL ALERT (ENGLISH)	1	
008	87532-ZH8-810	MARK, OIL ALERT (ENGLISH)	1	
008	87532-ZH8-810	MARK, OIL ALERT (ENGLISH)	1	
009	89218-ZE1-000	WRENCH COMP., SPARK PLUG	1	
<u>Ref</u>	<u>Partnumber</u>	<u>Description</u>	<u>GX160H1</u>	<u>Serial Numbers</u>
009	89218-ZE1-000	WRENCH COMP., SPARK PLUG	1	
011	87522-Z1T-J00	LABEL, CAUTION (CHINA)	1	
013	87114-ZH7-000	LABEL, WARNING (NOT CERTIFIED FOR SALE)	1	
013	87114-ZH7-000	LABEL, WARNING (NOT CERTIFIED FOR SALE)	1	1181095



FR. →  
Z1T0E03000

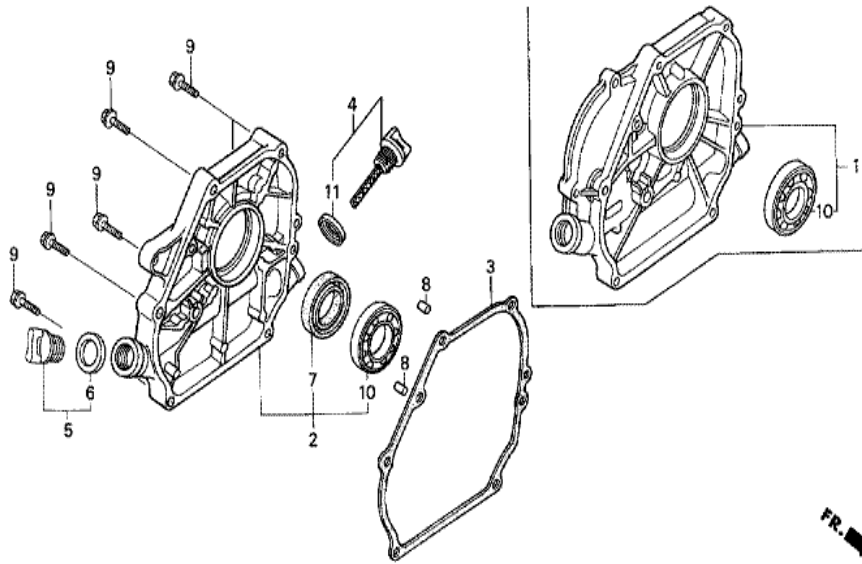
Ref	Partnumber	Description	GX160H1	Serial Numbers
001	12000-Z1T-406	BARREL ASSY., CYLINDER	1	
001	12000-Z1T-810	BARREL ASSY., CYLINDER (OIL ALERT)	1	
001	12000-Z1T-810	BARREL ASSY., CYLINDER (OIL ALERT)	1	
002	15510-ZE1-033	SWITCH ASSY., OIL LEVEL	1	
003	16506-ZL0-000	GOVERNOR ASSY.	1	
007	16531-Z1T-000	SLIDER, GOVERNOR	1	
007	16531-Z1T-000	SLIDER, GOVERNOR	1	
008	16541-Z1T-000	SHAFT, GOVERNOR ARM	1	
008	16541-Z1T-000	SHAFT, GOVERNOR ARM	1	
009	90131-ZE1-000	BOLT, DRAIN PLUG	2	
010	90451-Z1T-000	WASHER, THRUST, 6MM	1	
010	90451-Z1T-000	WASHER, THRUST, 6MM	1	
011	90601-ZE1-000	WASHER, DRAIN PLUG, 10.2MM	2	
Ref	Partnumber	Description	GX160H1	Serial Numbers
012	90602-ZE1-000	CLIP, GOVERNOR HOLDER	1	
013	91001-Z1T-003	BEARING, RADIAL BALL, 6205 (NSK)	1	
013	91001-ZF1-003	BEARING, RADIAL BALL (6205TMB) (NTN)	1	
013	91001-ZF1-003	BEARING, RADIAL BALL (6205TMB) (NTN)	1	
013	91001-ZF1-004	BEARING, RADIAL BALL (6205SH) (KOYO)	1	
013	91001-ZF1-004	BEARING, RADIAL BALL (6205SH) (KOYO)	1	
014	91202-Z1T-003	OIL SEAL, 25X41X6	1	
014	91202-Z1T-003	OIL SEAL, 25X41X6	1	
015	91353-671-004	O-RING, 14MM (NOK)	1	
016	94050-10000	NUT, FLANGE, 10MM	1	
017	94101-06800	WASHER, PLAIN, 6MM	2	
018	94251-08000	PIN, LOCK, 8MM	1	
019	95701-0601200	BOLT, FLANGE, 6X12	2	
021	16506-ZL0-000	GOVERNOR ASSY.	1	



Z1T0E4001B

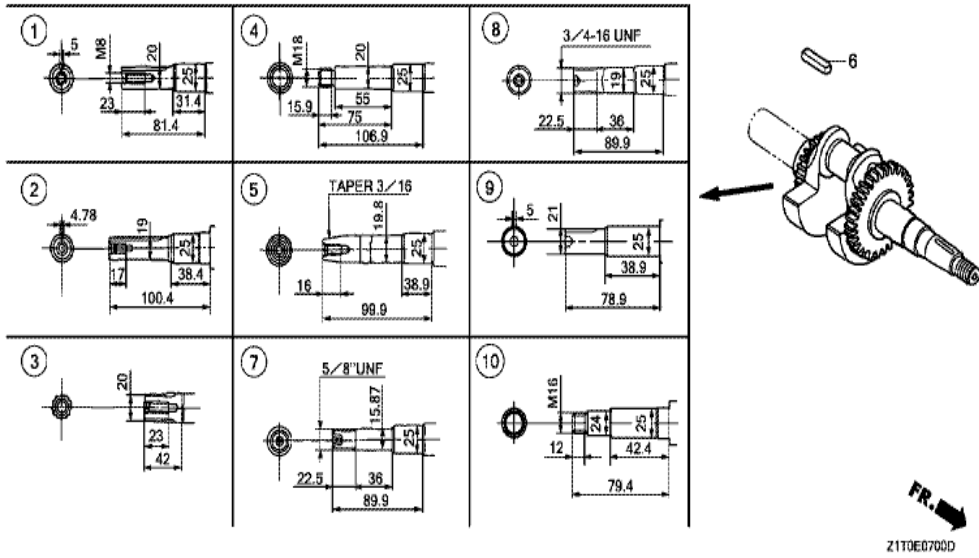
Ref	Partnumber	Description	GX160H1	Serial Numbers
010	68326-ZB2-000	RUBBER, FR. BOTTOM	2	
011	68327-ZB2-000	RUBBER, RR. BOTTOM	2	



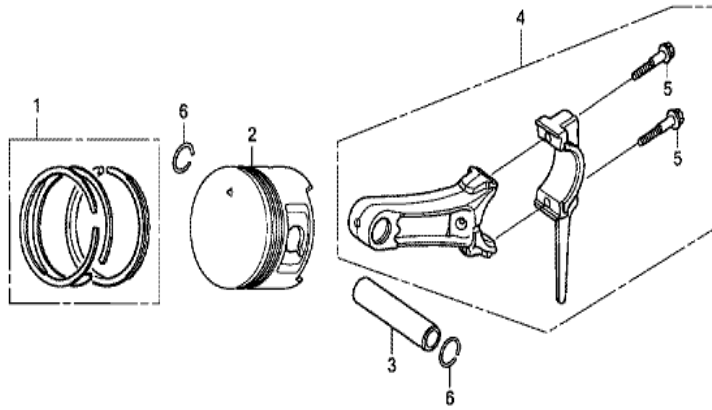


Z1T0-E0600A

<u>Ref</u>	<u>Partnumber</u>	<u>Description</u>	<u>GX160H1</u>	<u>Serial Numbers</u>
002	11300-Z1T-630	COVER ASSY., CRANKCASE	1	
003	11381-Z1T-701	PACKING, CASE COVER (NINGBO SIL GASKET)	1	
003	11381-Z1T-701	PACKING, CASE COVER (NINGBO SIL GASKET)	1	
003	11381-ZH8-801	PACKING, CASE COVER (NON ASBESTOS)	1	
003	11381-ZH8-801	PACKING, CASE COVER (NON ASBESTOS)	1	
004	15600-Z1T-000	CAP ASSY., OIL FILLER	1	
004	15600-Z1T-000	CAP ASSY., OIL FILLER	1	
005	15600-Z1T-600	CAP ASSY., OIL FILLER	1	
005	15600-Z1T-600	CAP ASSY., OIL FILLER	1	
006	15625-Z1T-000	PACKING, OIL FILLER CAP	1	
006	15625-Z1T-000	PACKING, OIL FILLER CAP	1	
007	91202-Z1T-003	OIL SEAL, 25X41X6	1	
007	91202-Z1T-003	OIL SEAL, 25X41X6	1	
<u>Ref</u>	<u>Partnumber</u>	<u>Description</u>	<u>GX160H1</u>	<u>Serial Numbers</u>
008	94301-08140	DOWEL PIN, 8X14	2	
009	95701-0803200	BOLT, FLANGE, 8X32	6	
010	96100-6205000	BEARING, RADIAL BALL, 6205	1	
011	15625-Z1T-000	PACKING, OIL FILLER CAP	1	
011	15625-Z1T-000	PACKING, OIL FILLER CAP	1	



Ref	Partnumber	Description	GX160H1	Serial Numbers
005	13310-Z1T-670	CRANKSHAFT COMP.	1	
005	13310-Z1T-670	CRANKSHAFT COMP.	1	



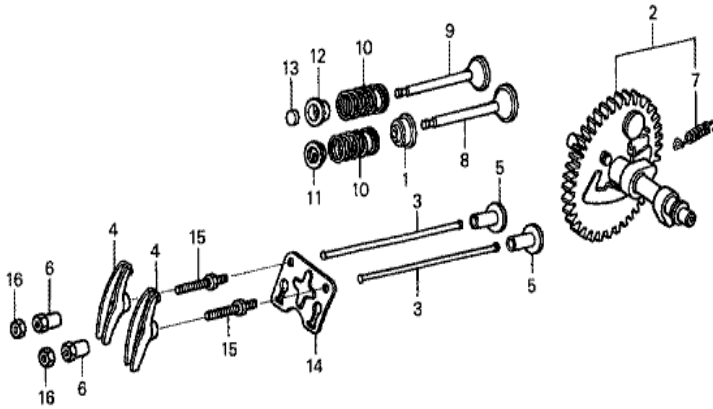
FR. →  
Z1T0E08000

Ref	Partnumber	Description	GX160H1	Serial Numbers
001	13010-Z1T-003	RING SET, PISTON (STD.) (RIKEN)	1	1401859
001	13010-Z1T-701	RING SET, PISTON (STD.) (FUJIAN DONGYA M)	1	
001	13010-Z1T-701	RING SET, PISTON (STD.) (FUJIAN DONGYA M)	1	
001	13010-Z1T-801	RING SET, PISTON (STD.) (RIKEN)	1	1639414
001	13010-Z1T-801	RING SET, PISTON (STD.) (RIKEN)	1	1401860
001	13010-Z1T-801	RING SET, PISTON (STD.) (RIKEN)	1	1401860 1639414
001	13010-Z4K-004	RING SET, PISTON (STD.) (TPR)	1	1639415
001	13010-Z4K-004	RING SET, PISTON (STD.) (TPR)	1	
001	13010-Z4K-004	RING SET, PISTON (STD.) (TPR)	1	1639415
001	13010-Z4P-003	RING SET, PISTON (STD.) (RIKEN)	1	1639415
001	13010-Z4P-003	RING SET, PISTON (STD.) (RIKEN)	1	
001	13010-Z4P-003	RING SET, PISTON (STD.) (RIKEN)	1	1639415
001	13010-ZL0-003	RING SET, PISTON (STD.) (TEIKOKU)	1	1639414

<u>Ref</u>	<u>Partnumber</u>	<u>Description</u>	<u>GX160H1</u>	<u>Serial Numbers</u>
001	13010-ZL0-003	RING SET, PISTON (STD.) (TEIKOKU)	1	1401859
001	13010-ZL0-003	RING SET, PISTON (STD.) (TEIKOKU)	1	1639414
001	13010-ZL0-004	RING SET, PISTON (STD.) (NIPPON)	1	1639414
001	13010-ZL0-004	RING SET, PISTON (STD.) (NIPPON)	1	1401859
001	13010-ZL0-004	RING SET, PISTON (STD.) (NIPPON)	1	1639414
001	13011-Z1T-003	RING SET, PISTON (0.25) (RIKEN)	(1)	1401859
001	13011-Z1T-003	RING SET, PISTON (0.25) (RIKEN)	(1)	1401859
001	13011-Z1T-003	RING SET, PISTON (0.25) (RIKEN)	(1)	1401859
001	13011-Z1T-701	RING SET, PISTON (0.25) (FUJIAN DONGYA M	(1)	
001	13011-Z1T-701	RING SET, PISTON (0.25) (FUJIAN DONGYA M	(1)	
001	13011-Z1T-801	RING SET, PISTON (0.25) (RIKEN)	(1)	1401860 1639414
001	13011-Z1T-801	RING SET, PISTON (0.25) (RIKEN)	(1)	1639414
001	13011-Z1T-801	RING SET, PISTON (0.25) (RIKEN)	(1)	1401860 1639414
001	13011-Z4K-004	RING SET, PISTON (0.25) (TPR)	(1)	1639415
001	13011-Z4K-004	RING SET, PISTON (0.25) (TPR)	(1)	1639415
001	13011-Z4K-004	RING SET, PISTON (0.25) (TPR)	(1)	1639415
001	13011-Z4P-003	RING SET, PISTON (0.25) (RIKEN)	(1)	1639415
001	13011-Z4P-003	RING SET, PISTON (0.25) (RIKEN)	(1)	1639415
001	13011-Z4P-003	RING SET, PISTON (0.25) (RIKEN)	(1)	1639415
001	13011-ZL0-003	RING SET, PISTON (0.25) (TEIKOKU)	(1)	1639414
001	13011-ZL0-003	RING SET, PISTON (0.25) (TEIKOKU)	(1)	1639414
001	13011-ZL0-003	RING SET, PISTON (0.25) (TEIKOKU)	(1)	1639414
001	13011-ZL0-004	RING SET, PISTON (0.25) (NIPPON)	(1)	
001	13011-ZL0-004	RING SET, PISTON (0.25) (NIPPON)	(1)	1639414
001	13011-ZL0-004	RING SET, PISTON (0.25) (NIPPON)	(1)	1639414
001	13012-Z1T-003	RING SET, PISTON (0.50) (RIKEN)	(1)	1401859
001	13012-Z1T-003	RING SET, PISTON (0.50) (RIKEN)	(1)	1401859
001	13012-Z1T-003	RING SET, PISTON (0.50) (RIKEN)	(1)	1401859
001	13012-Z1T-701	RING SET, PISTON (0.50) (FUJIAN DONGYA M	(1)	
001	13012-Z1T-701	RING SET, PISTON (0.50) (FUJIAN DONGYA M	(1)	
001	13012-Z1T-801	RING SET, PISTON (0.50) (RIKEN)	(1)	1401860 1639414
001	13012-Z1T-801	RING SET, PISTON (0.50) (RIKEN)	(1)	1401860 1639414
001	13012-Z1T-801	RING SET, PISTON (0.50) (RIKEN)	(1)	1401860 1639414

<u>Ref</u>	<u>Partnumber</u>	<u>Description</u>	<u>GX160H1</u>	<u>Serial Numbers</u>
001	13012-Z4K-004	RING SET, PISTON (0.50) (TPR)	(1)	1639415
001	13012-Z4K-004	RING SET, PISTON (0.50) (TPR)	(1)	1639415
001	13012-Z4K-004	RING SET, PISTON (0.50) (TPR)	(1)	1639415
001	13012-Z4P-003	RING SET, PISTON (0.50) (RIKEN)	(1)	
001	13012-Z4P-003	RING SET, PISTON (0.50) (RIKEN)	(1)	1639415
001	13012-Z4P-003	RING SET, PISTON (0.50) (RIKEN)	(1)	1639415
001	13012-ZL0-003	RING SET, PISTON (0.50) (TEIKOKU)	(1)	1639414
001	13012-ZL0-003	RING SET, PISTON (0.50) (TEIKOKU)	(1)	1639414
001	13012-ZL0-003	RING SET, PISTON (0.50) (TEIKOKU)	(1)	1639414
001	13012-ZL0-004	RING SET, PISTON (0.50) (NIPPON)	(1)	1639414
001	13012-ZL0-004	RING SET, PISTON (0.50) (NIPPON)	(1)	1639414
001	13012-ZL0-004	RING SET, PISTON (0.50) (NIPPON)	(1)	1639414
001	13013-Z1T-003	RING SET, PISTON (0.75) (RIKEN)	(1)	1401859
001	13013-Z1T-003	RING SET, PISTON (0.75) (RIKEN)	(1)	1401859
001	13013-Z1T-003	RING SET, PISTON (0.75) (RIKEN)	(1)	1401859
001	13013-Z1T-701	RING SET, PISTON (0.75) (FUJIAN DONGYA M	(1)	
001	13013-Z1T-701	RING SET, PISTON (0.75) (FUJIAN DONGYA M	(1)	
001	13013-Z1T-801	RING SET, PISTON (0.75) (RIKEN)	(1)	1401860 1639414
001	13013-Z1T-801	RING SET, PISTON (0.75) (RIKEN)	(1)	1401860 1639414
001	13013-Z1T-801	RING SET, PISTON (0.75) (RIKEN)	(1)	1401860 1639414
001	13013-Z4K-004	RING SET, PISTON (0.75) (TPR)	(1)	1639415
001	13013-Z4K-004	RING SET, PISTON (0.75) (TPR)	(1)	1639415
001	13013-Z4K-004	RING SET, PISTON (0.75) (TPR)	(1)	1639415
001	13013-Z4P-003	RING SET, PISTON (0.75) (RIKEN)	(1)	1639415
001	13013-Z4P-003	RING SET, PISTON (0.75) (RIKEN)	(1)	1639415
001	13013-Z4P-003	RING SET, PISTON (0.75) (RIKEN)	(1)	1639415
001	13013-ZL0-003	RING SET, PISTON (0.75) (TEIKOKU)	(1)	1639414
001	13013-ZL0-003	RING SET, PISTON (0.75) (TEIKOKU)	(1)	1639414
001	13013-ZL0-003	RING SET, PISTON (0.75) (TEIKOKU)	(1)	1639414
001	13013-ZL0-004	RING SET, PISTON (0.75) (NIPPON)	(1)	1639414
001	13013-ZL0-004	RING SET, PISTON (0.75) (NIPPON)	(1)	1639414
001	13013-ZL0-004	RING SET, PISTON (0.75) (NIPPON)	(1)	1639414
002	13101-Z1T-000	PISTON (STD.) (JIALING-HONDA)	1	

<u>Ref</u>	<u>Partnumber</u>	<u>Description</u>	<u>GX160H1</u>	<u>Serial Numbers</u>
002	13101-Z1T-000	PISTON (STD.) (JIALING-HONDA)	1	1639414
002	13101-Z1T-010	PISTON (STD.) (JIALING-HONDA)	1	1639415
002	13101-Z1T-010	PISTON (STD.) (JIALING-HONDA)	1	1639415
002	13101-ZH8-020	PISTON (STD.)	1	1639415
002	13101-ZH8-020	PISTON (STD.)	1	1639415
002	13102-ZH8-010	PISTON (0.25)	(1)	1639414
002	13102-ZH8-010	PISTON (0.25)	(1)	
002	13102-ZH8-010	PISTON (0.25)	(1)	1639414
002	13102-ZH8-020	PISTON (0.25)	(1)	1639415
002	13102-ZH8-020	PISTON (0.25)	(1)	
002	13102-ZH8-020	PISTON (0.25)	(1)	1639415
002	13103-ZH8-010	PISTON (0.50)	(1)	1639414
002	13103-ZH8-010	PISTON (0.50)	(1)	1639414
002	13103-ZH8-010	PISTON (0.50)	(1)	
002	13103-ZH8-010	PISTON (0.50)	(1)	1639414
002	13103-ZH8-020	PISTON (0.50)	(1)	
002	13103-ZH8-020	PISTON (0.50)	(1)	1639415
002	13103-ZH8-020	PISTON (0.50)	(1)	
002	13103-ZH8-020	PISTON (0.50)	(1)	1639415
002	13104-ZH8-010	PISTON (0.75)	(1)	1639414
002	13104-ZH8-010	PISTON (0.75)	(1)	1639414
002	13104-ZH8-010	PISTON (0.75)	(1)	
002	13104-ZH8-010	PISTON (0.75)	(1)	1639414
002	13104-ZH8-020	PISTON (0.75)	(1)	1639415
002	13104-ZH8-020	PISTON (0.75)	(1)	1639415
002	13104-ZH8-020	PISTON (0.75)	(1)	
002	13104-ZH8-020	PISTON (0.75)	(1)	1639415
003	13111-Z1T-000	PIN, PISTON	1	
004	13200-Z0T-800	ROD ASSY., CONNECTING (TH)	1	
005	90001-ZE1-000	BOLT, CONNECTING ROD	2	
005	90001-ZE1-000	BOLT, CONNECTING ROD	2	
006	90551-ZE1-000	CLIP, PISTON PIN, 18MM	2	



Z1T0-E0900



<u>Ref</u>	<u>Partnumber</u>	<u>Description</u>	<u>GX160H1</u>	<u>Serial Numbers</u>
001	12209-ZH8-003	SEAL, VALVE STEM	1	
002	14100-ZL0-000	CAMSHAFT ASSY.	1	
002	14100-ZL0-000	CAMSHAFT ASSY.	1	
003	14410-ZE1-010	ROD, PUSH	2	
004	14431-ZE1-000	ARM, VALVE ROCKER	2	
005	14441-ZE1-010	LIFTER, VALVE	2	
006	14451-ZE1-013	PIVOT, ROCKER ARM	2	
006	14451-ZE1-013	PIVOT, ROCKER ARM	2	
007	14568-ZE1-000	SPRING, WEIGHT RETURN	1	
008	14711-ZF1-000	VALVE, IN.	1	
009	14721-ZF1-000	VALVE, EX.	1	
010	14751-ZF1-000	SPRING, VALVE	2	
011	14771-ZE1-000	RETAINER, IN. VALVE SPRING	1	
<u>Ref</u>	<u>Partnumber</u>	<u>Description</u>	<u>GX160H1</u>	<u>Serial Numbers</u>
012	14773-ZE1-000	RETAINER, EX. VALVE SPRING	1	
013	14781-ZE1-000	ROTATOR, VALVE	1	
014	14791-ZE1-010	PLATE, PUSH ROD GUIDE	1	
015	90012-ZE0-010	BOLT, PIVOT, 8MM	2	
016	90206-ZE1-000	NUT, PIVOT ADJUSTING	2	